

US00D867460S

(12) **United States Design Patent** (10) **Patent No.:** **US D867,460 S**
Yan et al. (45) **Date of Patent:** **** Nov. 19, 2019**

(54) **GAME CONTROLLER HAVING A GAME CONTROLLER TOUCHPAD**

(71) Applicant: **Intel Corporation**, Santa Clara, CA (US)

(72) Inventors: **Jie Yan**, Shenzhen (CN); **La Hung Richard Shih**, Shenzhen (CN)

(73) Assignee: **Intel Corporation**, Santa Clara, CA (US)

(**) Term: **15 Years**

(21) Appl. No.: **29/641,867**

(22) Filed: **Mar. 26, 2018**

(30) **Foreign Application Priority Data**

Jan. 9, 2018 (CN) 2018-3-000879

(51) **LOC (12) Cl.** **21-01**

(52) **U.S. Cl.**
USPC **D21/333**

(58) **Field of Classification Search**

USPC D21/324, 333; D14/160, 137, 138, 168, D14/174, 217, 218, 356, 387, 388, 389, D14/399-401, 412-416, 443, 449, 450, D14/454, 471, 474, 483, 496, 511; D12/174, 177, 190, 218; D13/164-168; D18/19; 273/148 B; 463/1, 29-39, 46, 463/47; 345/156-161, 905
CPC A63F 13/24; A63F 13/02; A63F 13/06; A63F 9/24; A63F 9/00; A63F 11/00; G06F 17/00; G06F 19/00; G06F 1/1666; H04N 21/00; H04N 7/14

See application file for complete search history.

(56) **References Cited**

U.S. PATENT DOCUMENTS

D321,172 S * 10/1991 Moore, IV D14/389
D565,668 S * 4/2008 Baseflug D14/401

D659,693 S * 5/2012 TerMeer D14/342
D690,692 S * 10/2013 Shin D14/341
D691,132 S * 10/2013 Sharma D14/341
D692,420 S * 10/2013 McManigal D14/341
D705,775 S * 5/2014 Canizares D14/341
D714,286 S * 9/2014 Kim D14/341
D718,818 S * 12/2014 Sumii D14/401
D724,582 S * 3/2015 Kim D14/341
D733,802 S * 7/2015 Burgess D14/401
D740,288 S * 10/2015 O'Donnell, Sr. D14/401

(Continued)

Primary Examiner — Sandra S Snapp

Assistant Examiner — Mehri F Bajoul

(74) *Attorney, Agent, or Firm* — Hanley, Flight and Zimmerman, LLC

(57) **CLAIM**

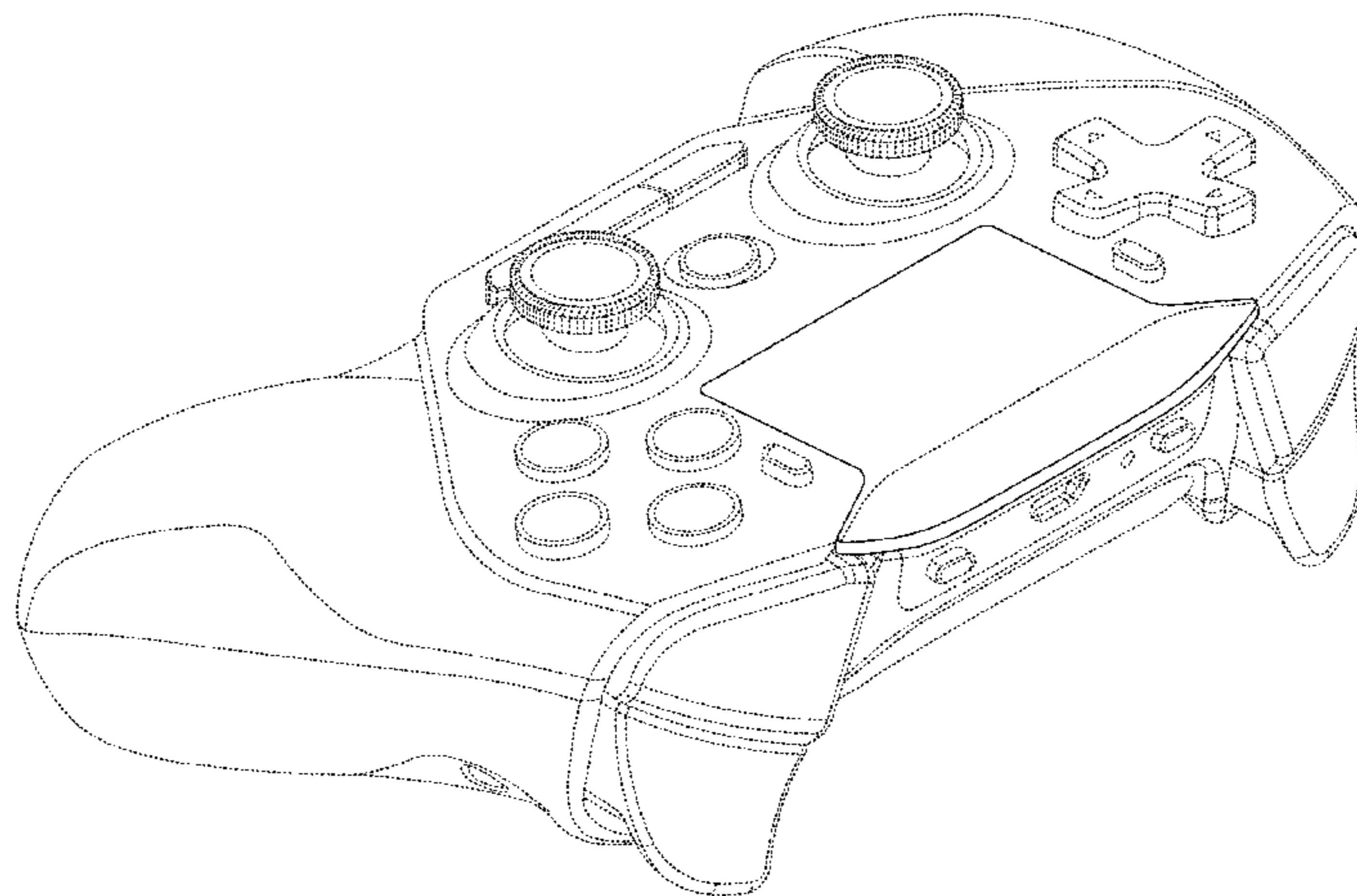
The ornamental design for a game controller having a game controller touchpad, as shown and described.

DESCRIPTION

FIG. 1 is a top, front, right perspective view of a game controller having a game controller touchpad.
FIG. 2 is a bottom, front, right perspective view thereof;
FIG. 3 is a front elevation view thereof;
FIG. 4 is a rear elevation view thereof;
FIG. 5 is a top plan view thereof;
FIG. 6 is a bottom plan view thereof;
FIG. 7 is a right side elevation view thereof;
FIG. 8 is a left side elevation view thereof;
FIG. 9 is an exploded front elevation view of the game controller having a game controller touchpad; and,
FIG. 10 is a rear elevation view of the game controller touchpad with the game controller removed for ease of illustration.

The broken lines shown in the drawings depict portions of the game controller having a game controller touchpad that form no part of the claimed design.

1 Claim, 10 Drawing Sheets



(56)

References Cited

U.S. PATENT DOCUMENTS

D745,001 S * 12/2015 Cho D14/341
D748,630 S * 2/2016 Helwig D14/389
D767,038 S * 9/2016 Kujawski D14/401
D770,568 S * 11/2016 Kujawski D14/401
D775,602 S * 1/2017 Lee D14/138 AB
D785,624 S * 5/2017 Kujawski D14/401
D786,254 S * 5/2017 Yum D14/138 G
D824,383 S * 7/2018 Wall D14/341
D827,646 S * 9/2018 Mitchell D14/389
D831,641 S * 10/2018 Wall D14/341
D852,794 S * 7/2019 Huebner D14/341
2011/0048755 A1 * 3/2011 Su H05K 5/0243
174/50

* cited by examiner

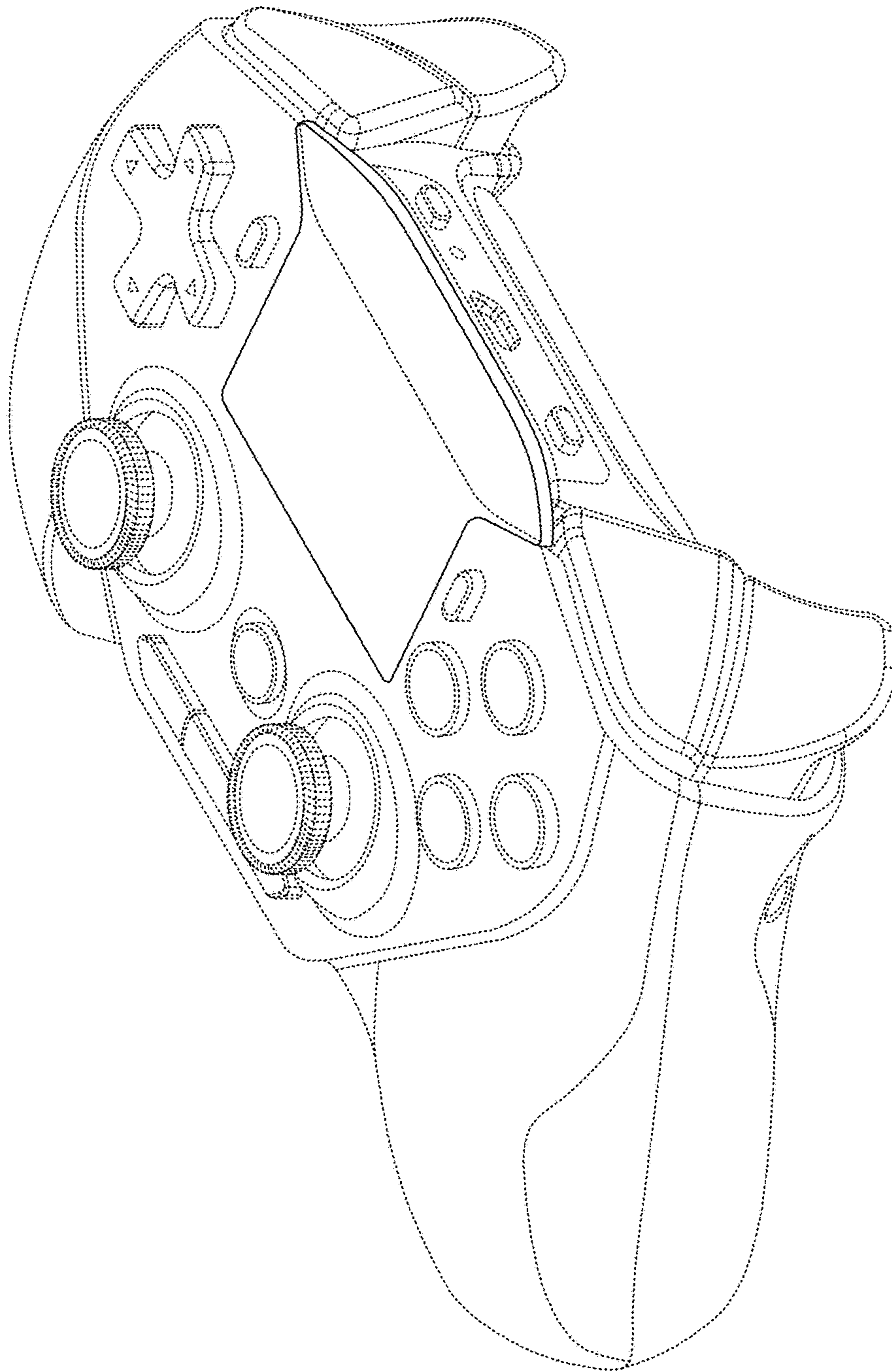


FIG. 1

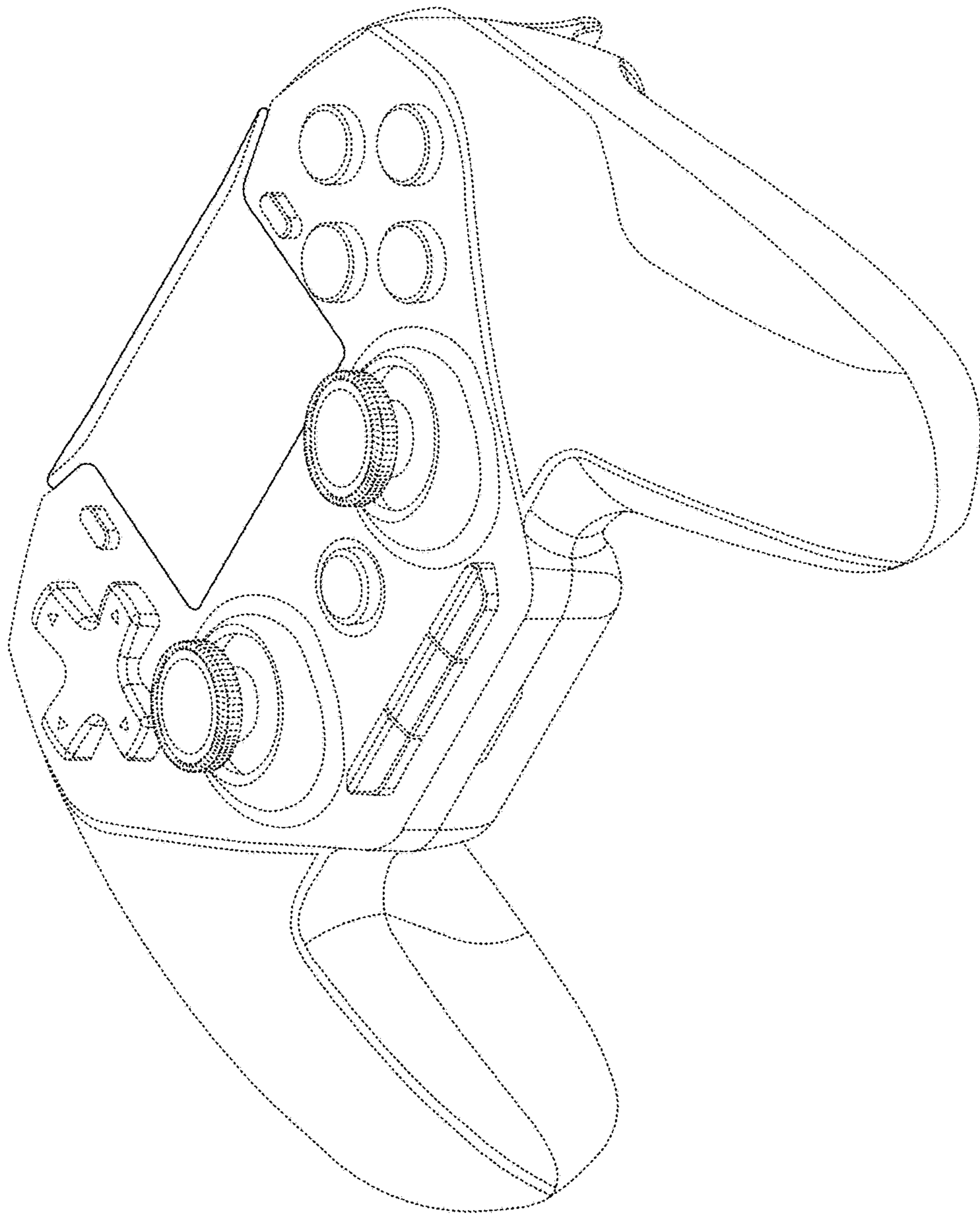


FIG. 2

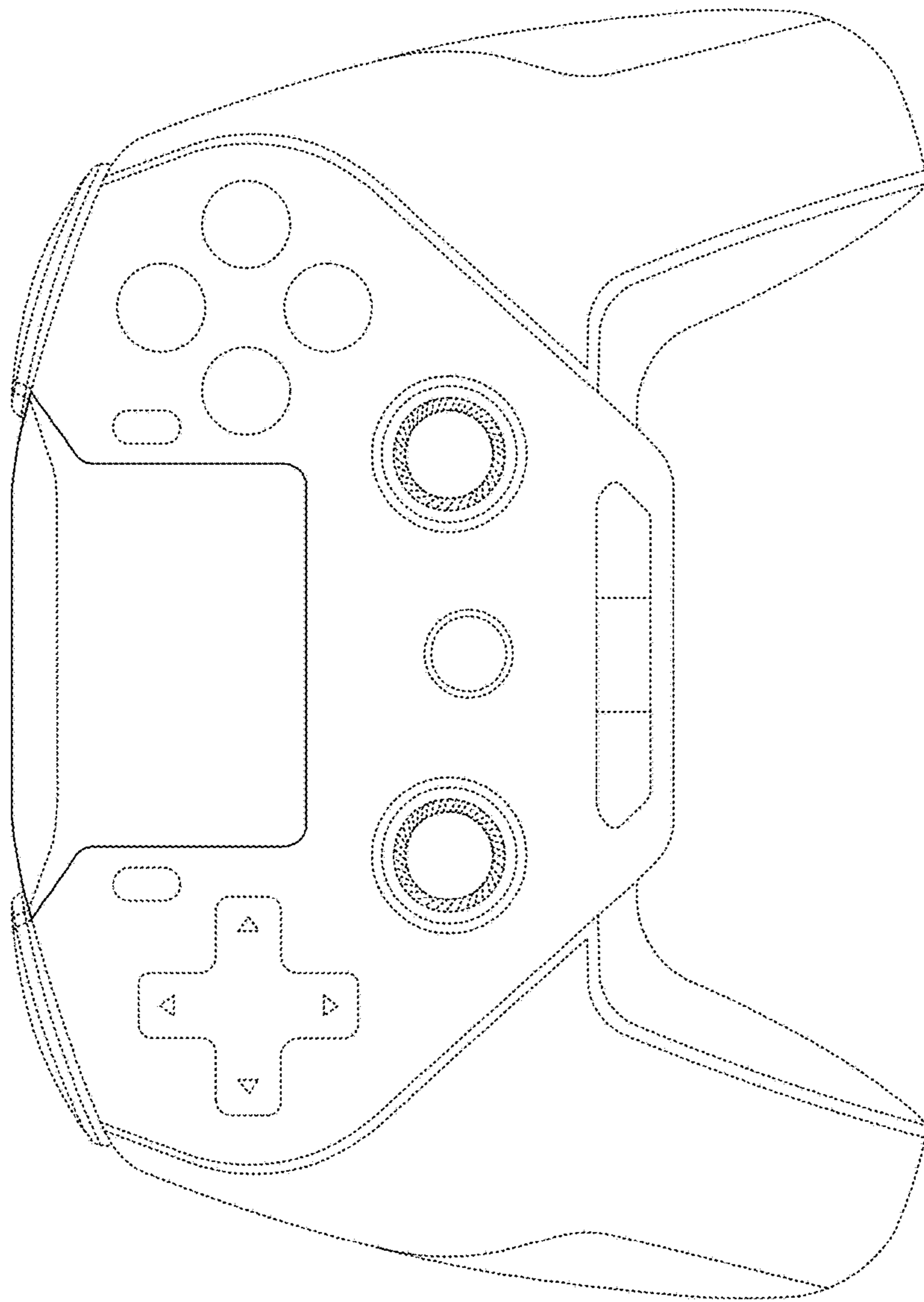


FIG. 3

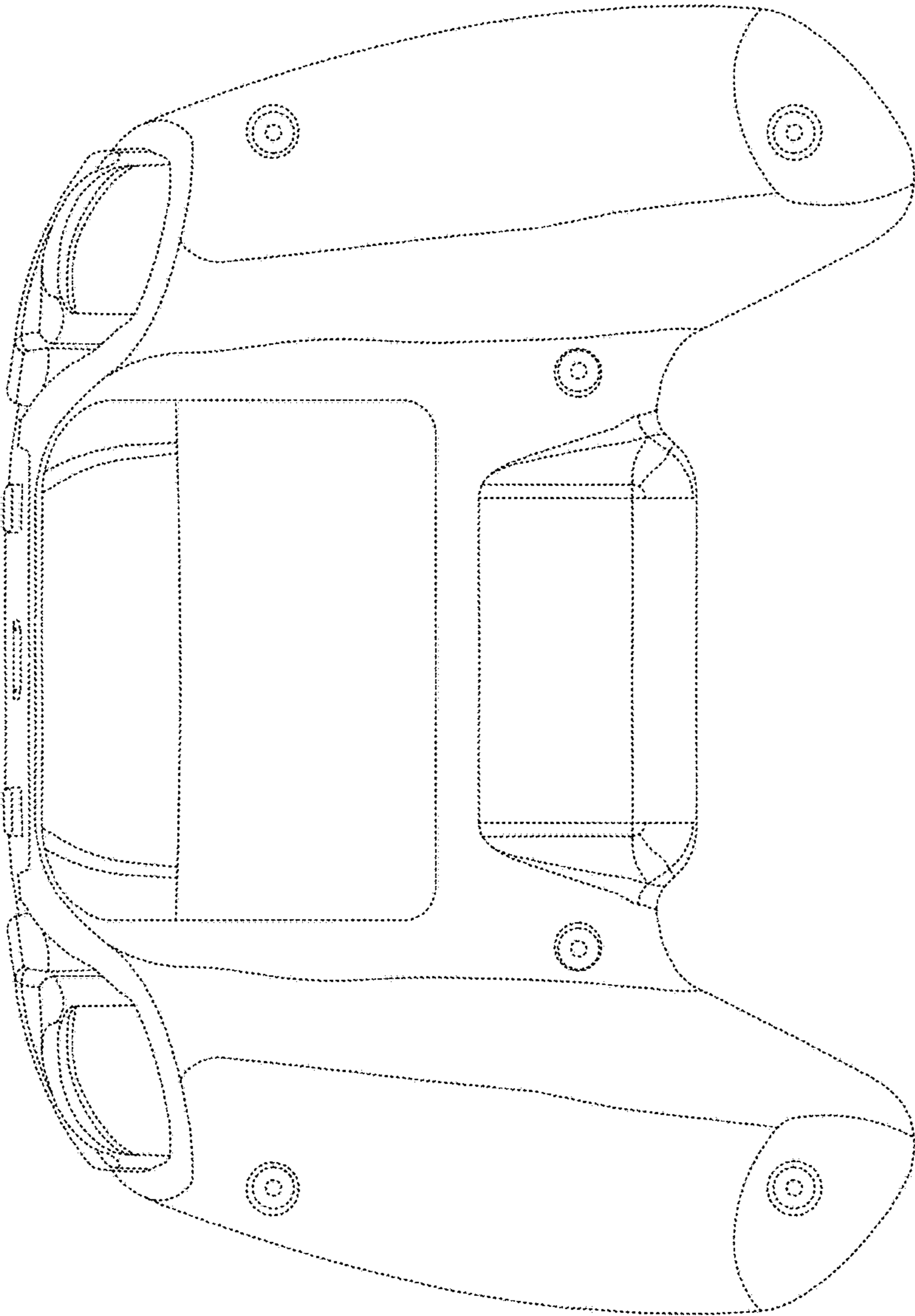


FIG.4

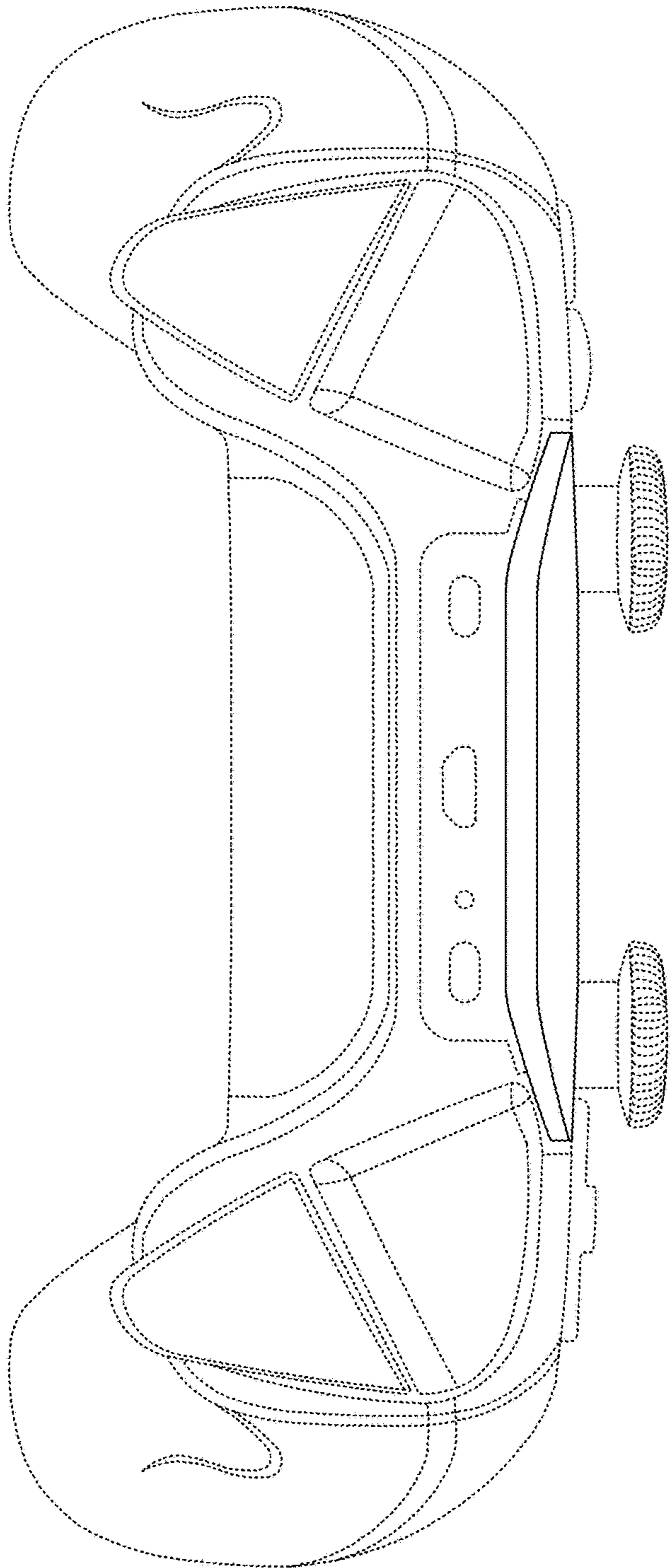


FIG.5

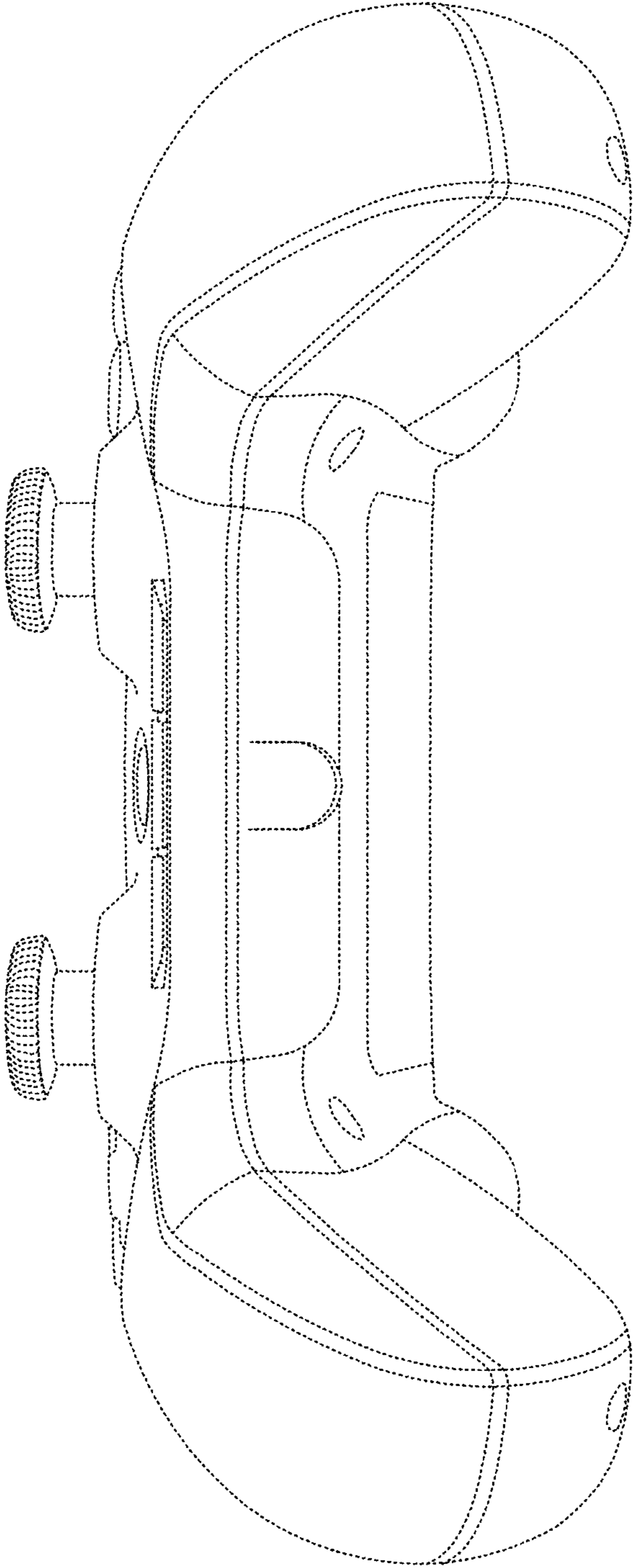


FIG. 6

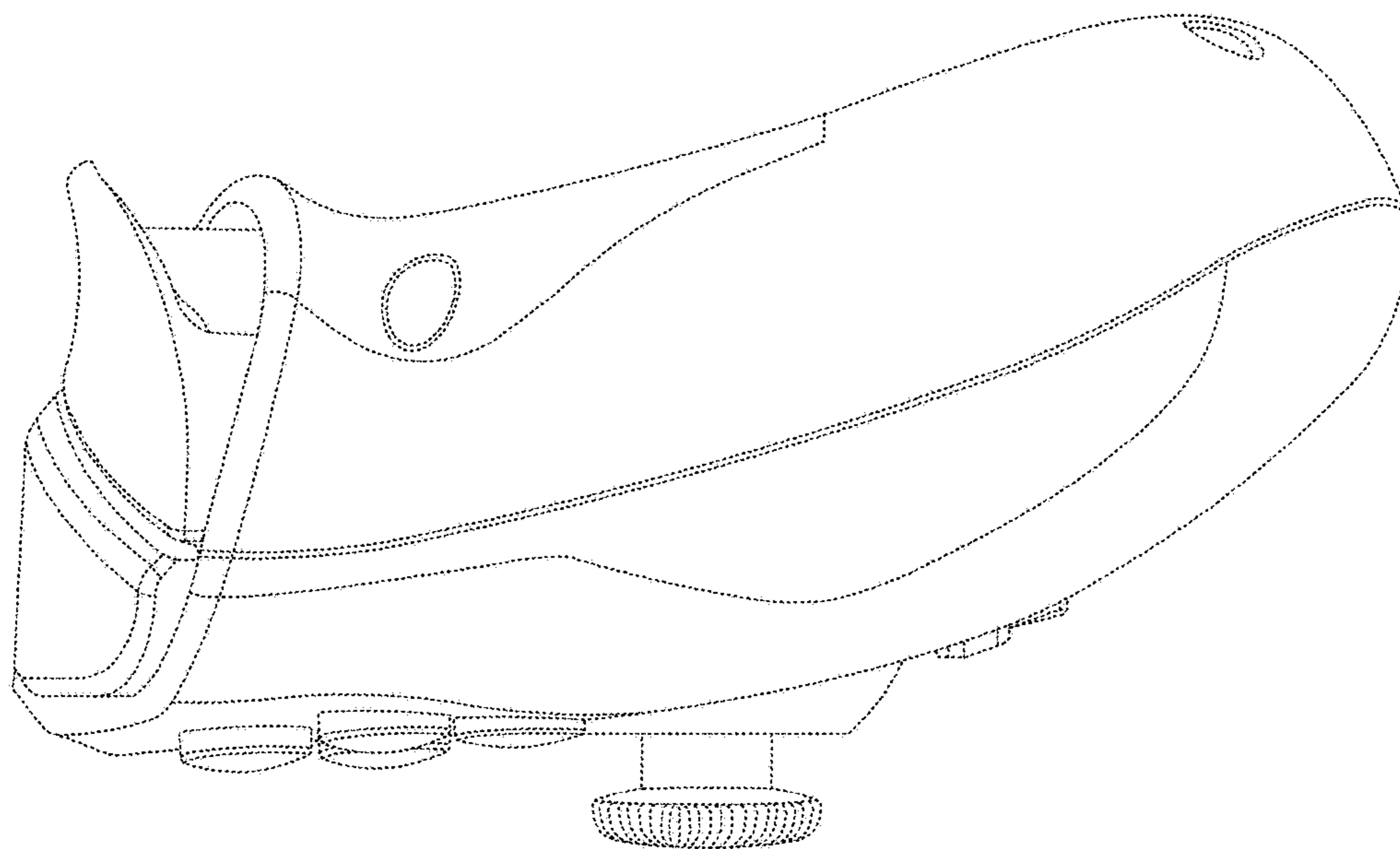


FIG. 7

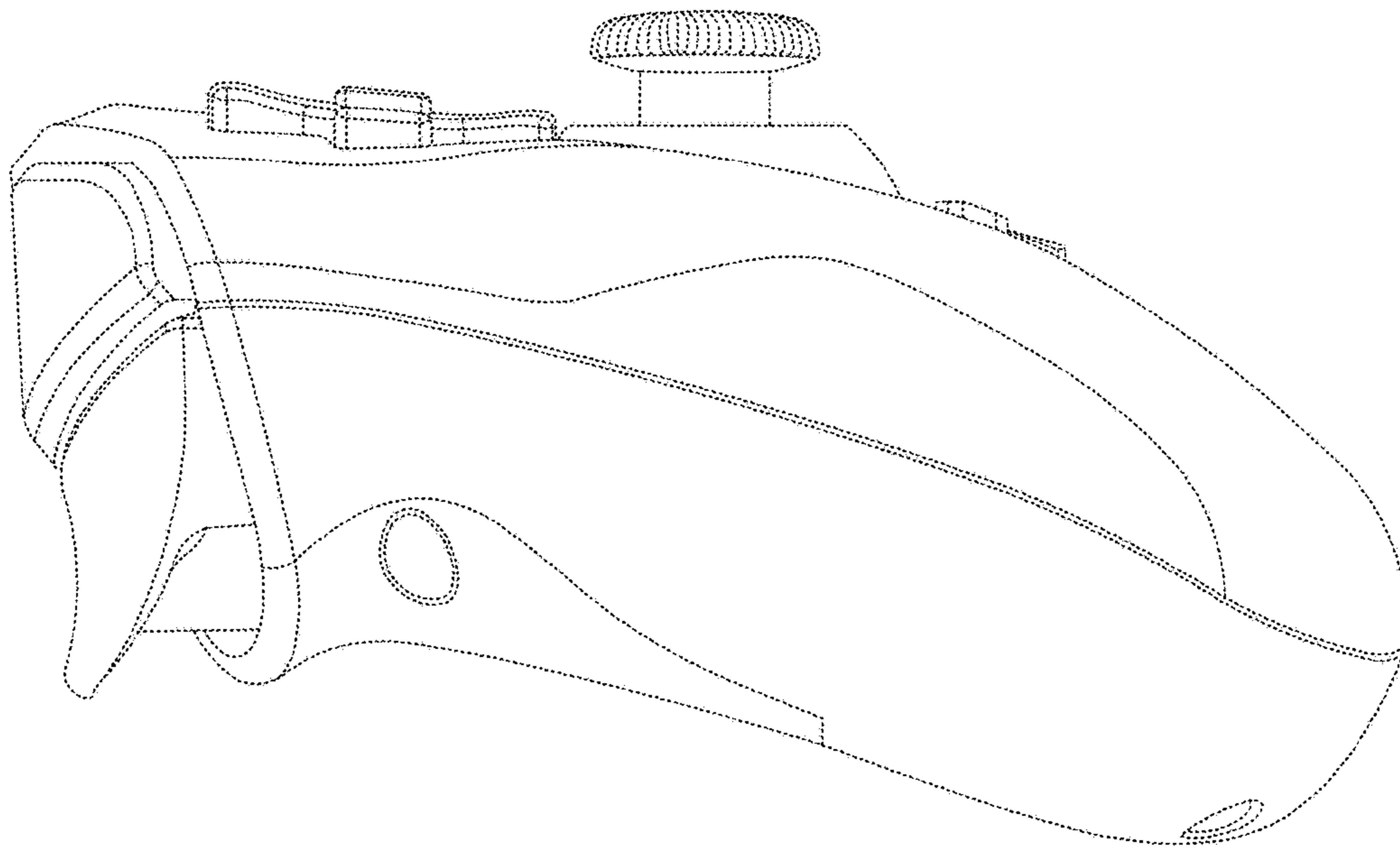


FIG. 8

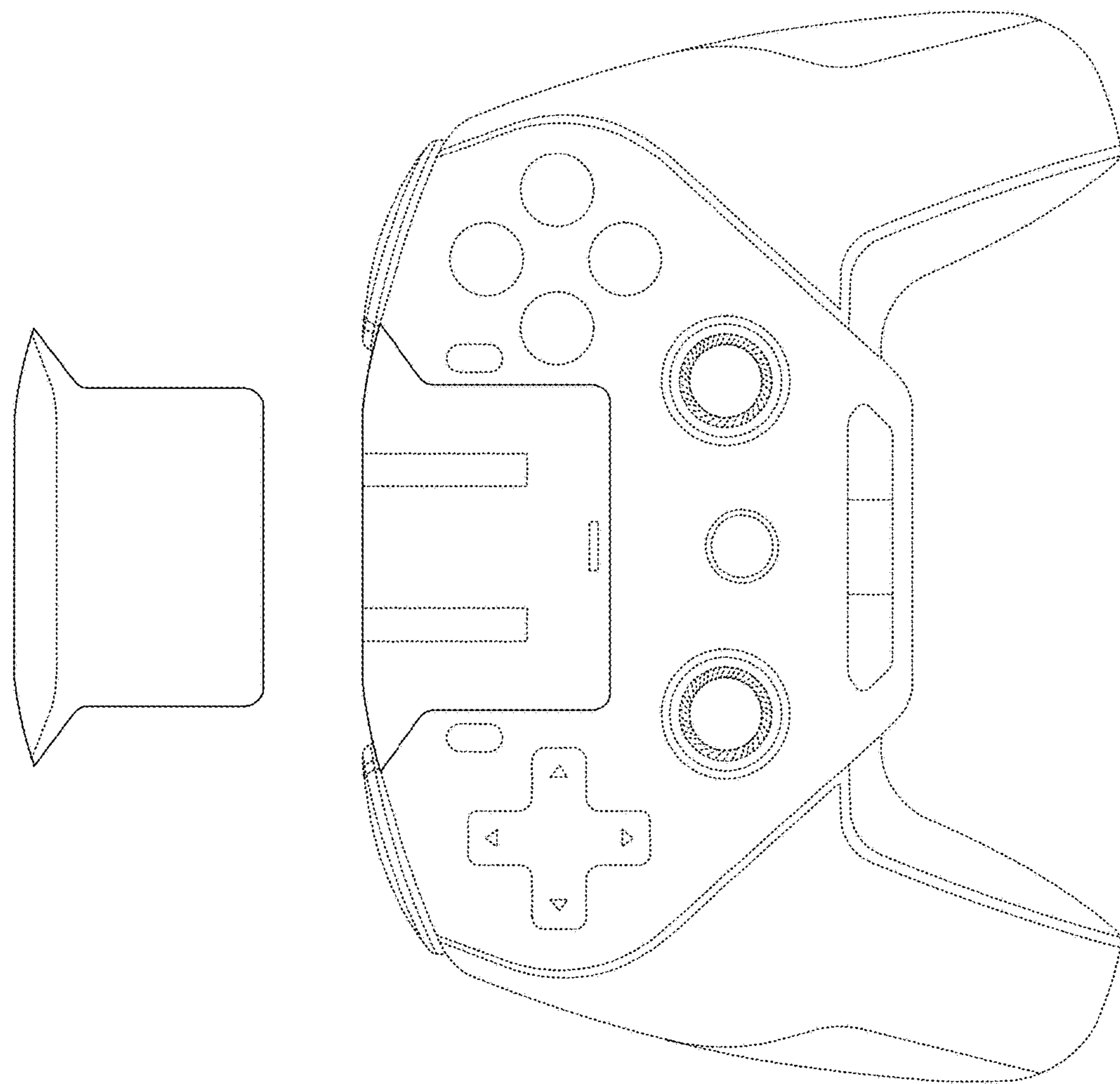


FIG. 9

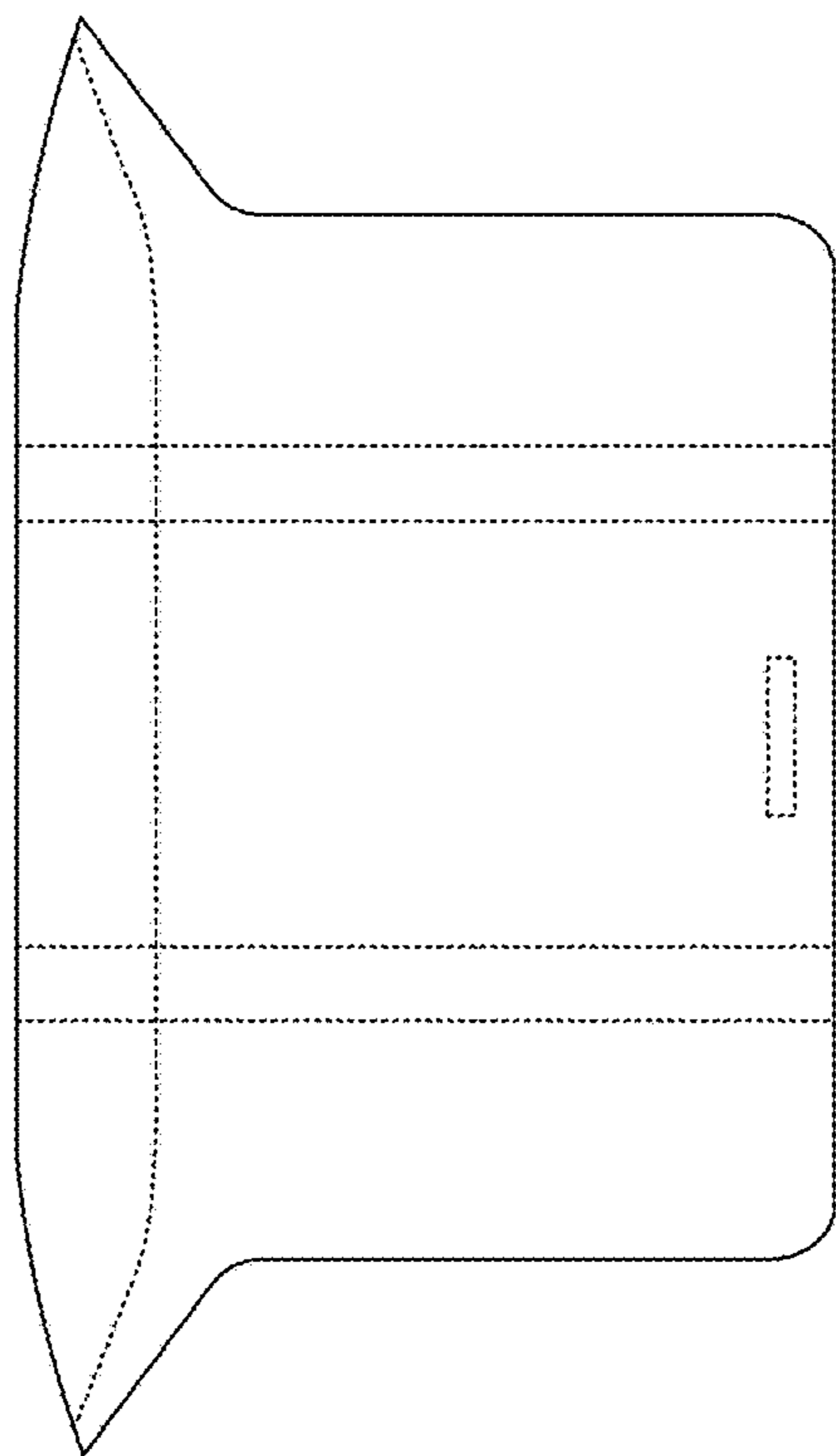


FIG. 10