



US00D867457S

(12) **United States Design Patent** (10) **Patent No.:** **US D867,457 S**  
**Sweeney** (45) **Date of Patent:** **\*\* Nov. 19, 2019**

- (54) **ROTATABLE DISC-TARGET**
- (71) Applicant: **Eric Sweeney**, Ruth, MI (US)
- (72) Inventor: **Eric Sweeney**, Ruth, MI (US)
- (\*\*) Term: **15 Years**
- (21) Appl. No.: **29/643,324**
- (22) Filed: **Apr. 6, 2018**

- 5,429,367 A \* 7/1995 Amos ..... A63B 69/3644  
473/259
  - D375,774 S \* 11/1996 Harrold ..... D21/791
  - 5,816,932 A \* 10/1998 Alexander ..... A63B 69/3644  
473/259
  - D410,498 S \* 6/1999 Decker ..... D21/303
- (Continued)

**Related U.S. Application Data**

- (63) Continuation-in-part of application No. 15/783,956, filed on Oct. 13, 2017, now abandoned.
- (51) **LOC (12) Cl.** ..... **21-01**
- (52) **U.S. Cl.**  
USPC ..... **D21/303; D21/302**
- (58) **Field of Classification Search**  
USPC ..... D21/300, 301, 302, 308, 362; 446/101,  
446/104, 114, 120, 121, 124-126;  
473/219, 259  
CPC ..... A63B 19/04; A63B 63/00; A63G 31/00;  
F41J 1/10  
See application file for complete search history.

**References Cited**

**U.S. PATENT DOCUMENTS**

- (56) 1,567,530 A \* 12/1925 MacNaughton ... A63B 69/3641  
473/229
- 3,583,707 A \* 6/1971 Fujimoto ..... A63B 69/3644  
473/259
- 4,168,066 A \* 9/1979 Sole ..... A63B 63/00  
273/402
- 4,637,615 A \* 1/1987 Foreman ..... F41J 1/10  
273/407
- 4,811,956 A \* 3/1989 Foreman ..... F41J 1/10  
273/407
- 4,852,881 A \* 8/1989 Bellagamba ..... A63B 69/3644  
473/216
- 5,026,065 A \* 6/1991 Bellagamba ..... A63B 69/3644  
473/216

**OTHER PUBLICATIONS**

“Discet”, posted date not available [online], [retrieved Apr. 13, 2019]. Retrieved from internet, [https://www.amazon.com/Discet-Worlds-Purest-Disc-Game/dp/B079NDZG5K/ref=pd\\_rhf\\_cr\\_p\\_img\\_1?\\_encoding=UTF8&psc=1&refRID=RQPJV5YCW2KJ9W38KVM](https://www.amazon.com/Discet-Worlds-Purest-Disc-Game/dp/B079NDZG5K/ref=pd_rhf_cr_p_img_1?_encoding=UTF8&psc=1&refRID=RQPJV5YCW2KJ9W38KVM).\*

*Primary Examiner* — Kevin K Rudzinski  
*Assistant Examiner* — Mehri F Bajoul

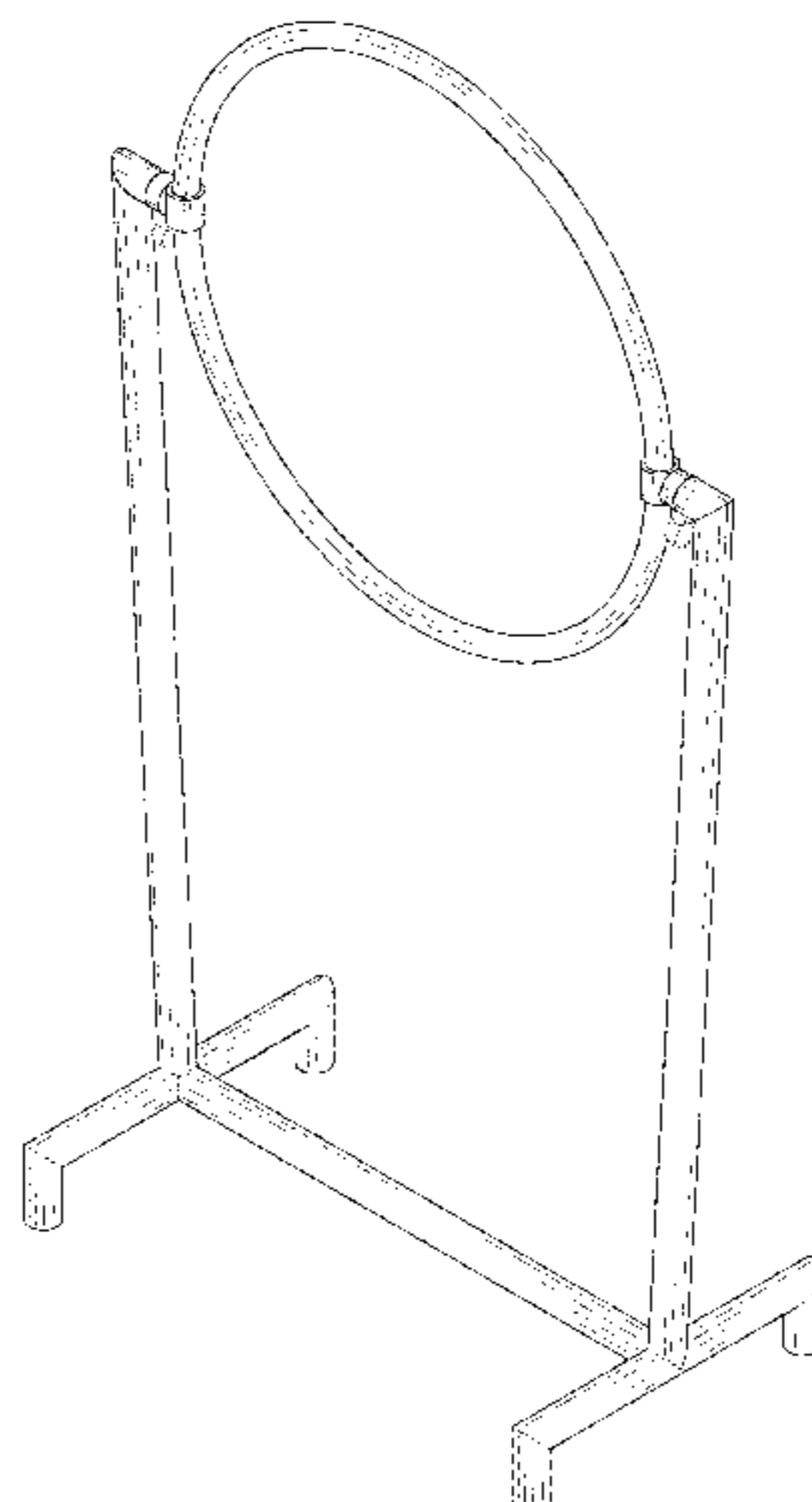
(57) **CLAIM**

The ornamental design for a rotatable disc-target, as shown and described.

**DESCRIPTION**

FIG. 1 is a top right perspective view of a rotatable disc-target showing my new design;  
FIG. 2 is a top left perspective view thereof;  
FIG. 3 is a bottom right perspective view thereof;  
FIG. 4 is a front elevational view thereof, a back view being a mirror image thereof;  
FIG. 5 is a right side elevational view thereof, a left view being a mirror image thereof;  
FIG. 6 is a top plan view thereof;  
FIG. 7 is a bottom plan view thereof;  
FIG. 8 is a top right perspective view of a rotatable disc-target with target rotated in a different angle; and,  
FIG. 9 is another top right perspective view of a rotatable disc-target with target rotated in different angle.  
The broken line showing of the fastener and joint connection in FIGS. 1-5 and FIGS. 7-9 depict portions of the rotatable disc-target and form no part of the claimed design.

**1 Claim, 9 Drawing Sheets**



(56)

**References Cited**

U.S. PATENT DOCUMENTS

D422,326 S \* 4/2000 Lai ..... D21/699  
6,273,826 B1 \* 8/2001 Bauer ..... A63B 69/3644  
473/219  
7,401,785 B1 \* 7/2008 Waite ..... A63B 63/00  
273/400  
7,806,780 B1 \* 10/2010 Plunkett ..... A63B 69/3641  
473/229  
7,874,931 B2 \* 1/2011 Liao ..... A63B 69/3641  
473/257  
8,128,093 B1 \* 3/2012 Gerrish ..... A63B 67/06  
273/343  
8,172,636 B1 \* 5/2012 Carbonero ..... A63B 19/04  
446/120  
D763,778 S \* 8/2016 Kirkham ..... D12/400  
9,689,647 B1 \* 6/2017 Dolgoff ..... F41J 1/10  
D793,099 S \* 8/2017 Bailey ..... D14/172  
D809,806 S \* 2/2018 Ghiorghie ..... D6/312  
2007/0052178 A1 \* 3/2007 Cottrell ..... A63B 63/00  
273/402  
2016/0121190 A1 \* 5/2016 Maruszak ..... A63B 63/00  
473/451  
2018/0104558 A1 \* 4/2018 Sweeney ..... A63B 67/06

\* cited by examiner

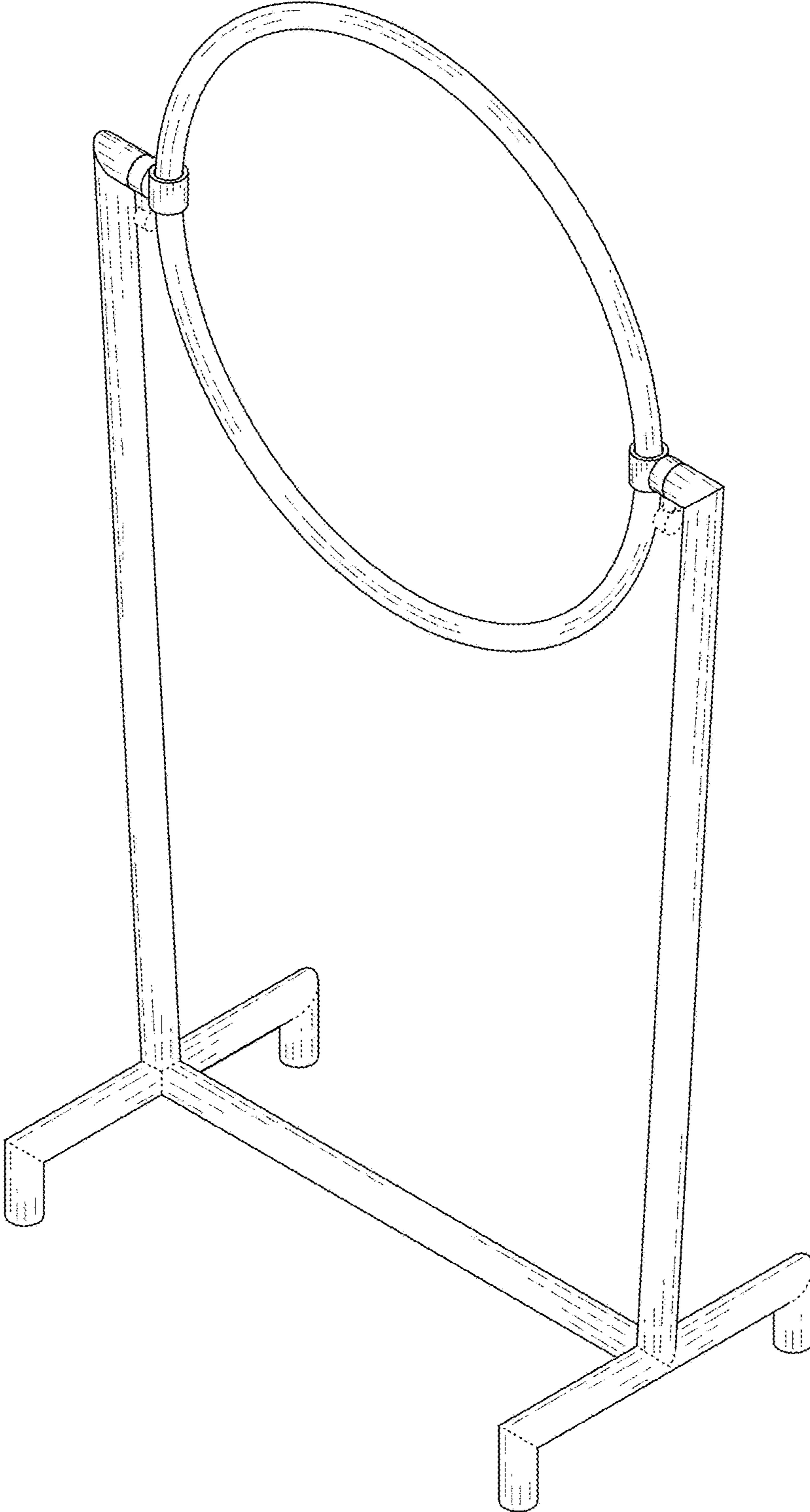


FIG. 1

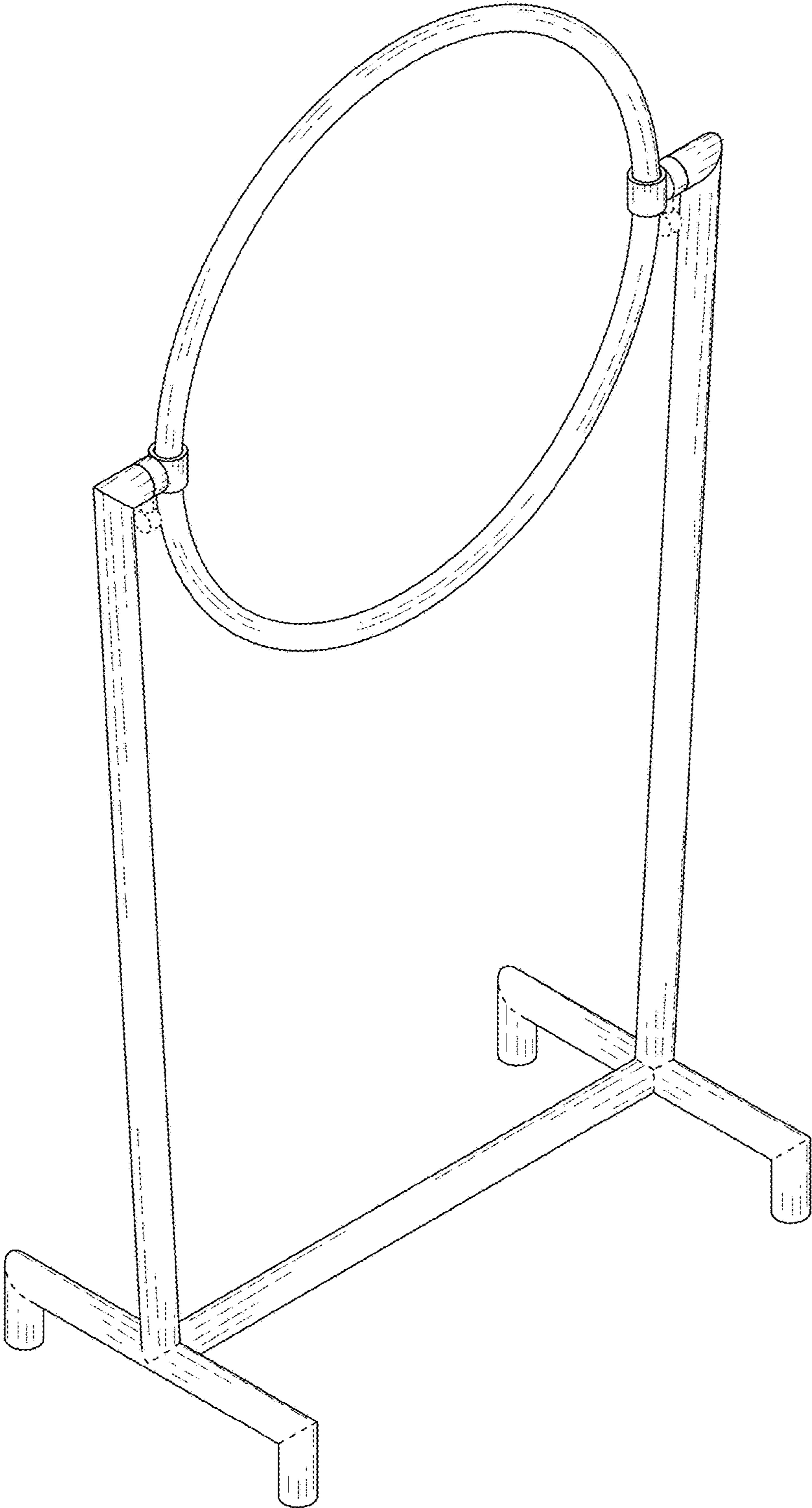


FIG. 2

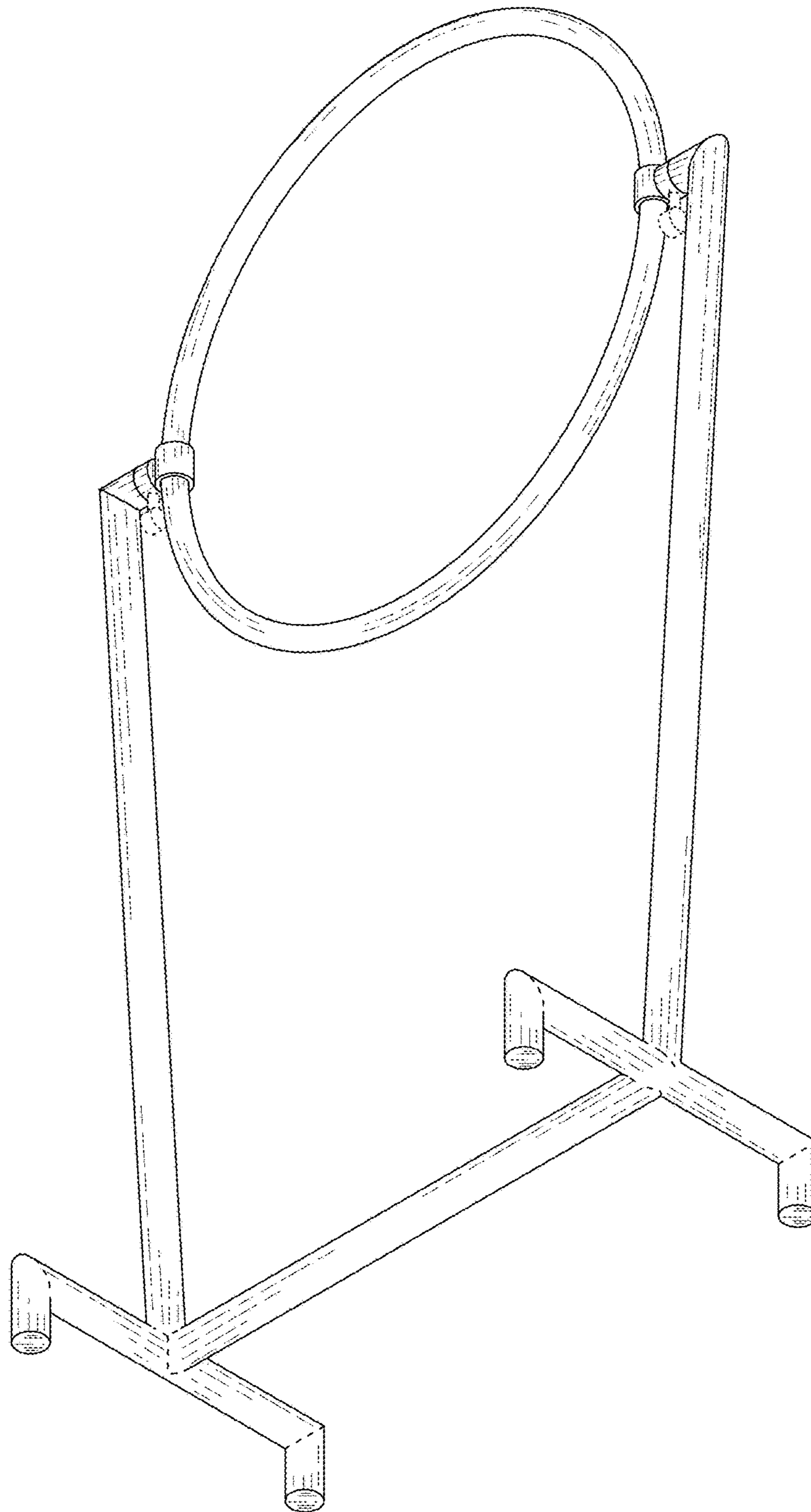


FIG. 3

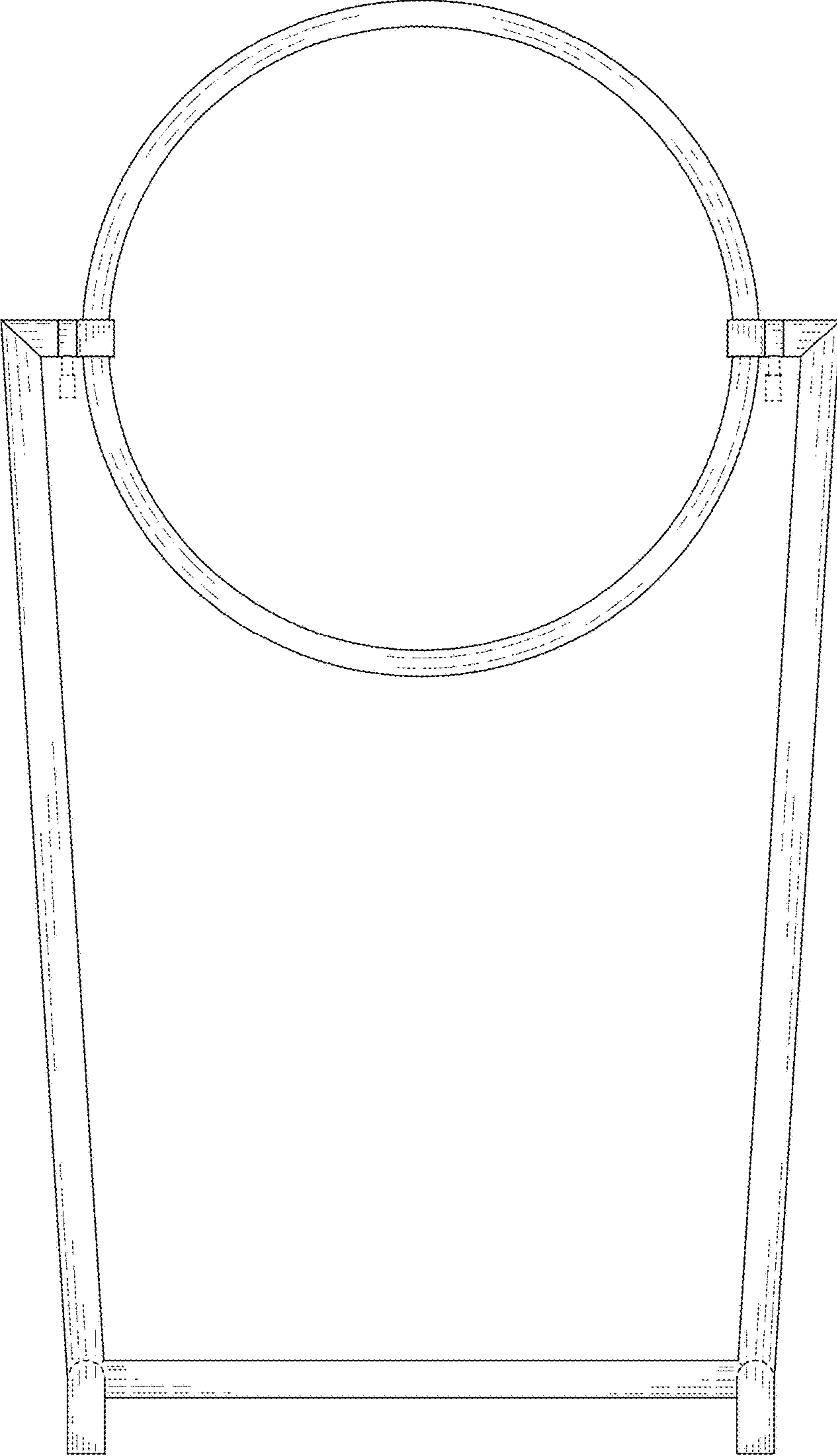


FIG. 4

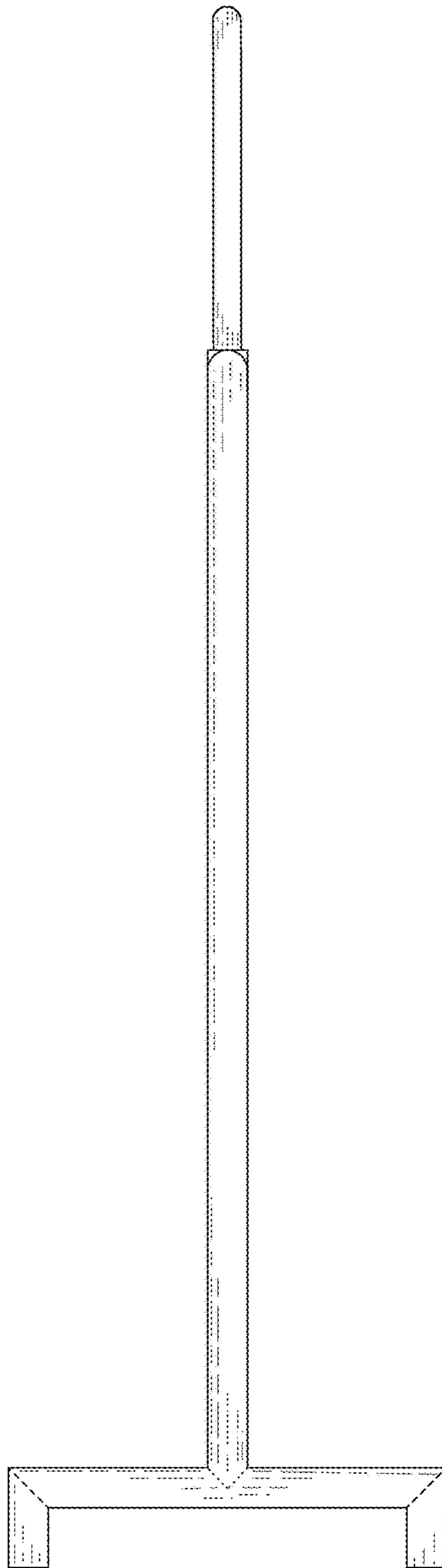


FIG. 5

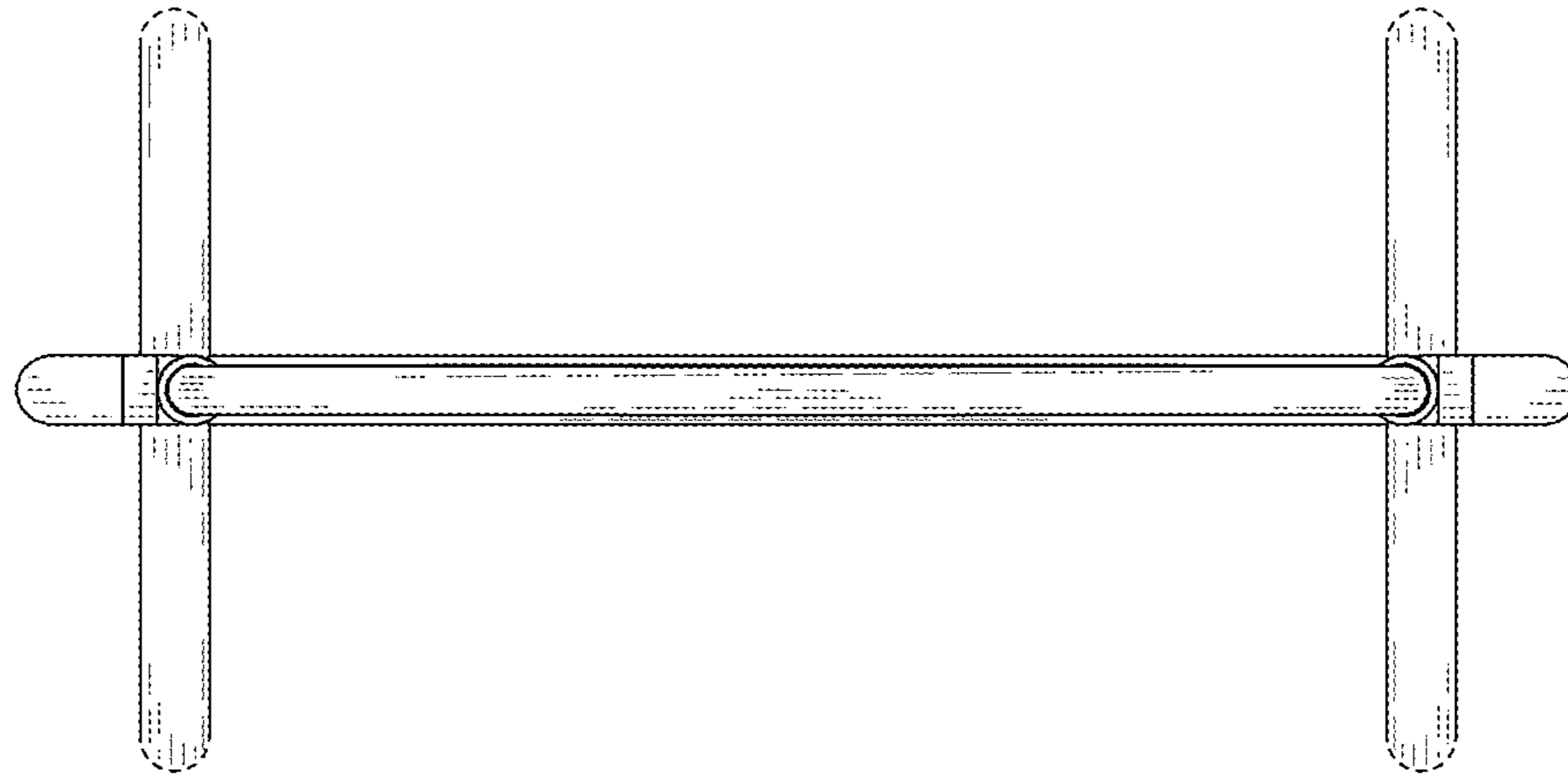


FIG. 6



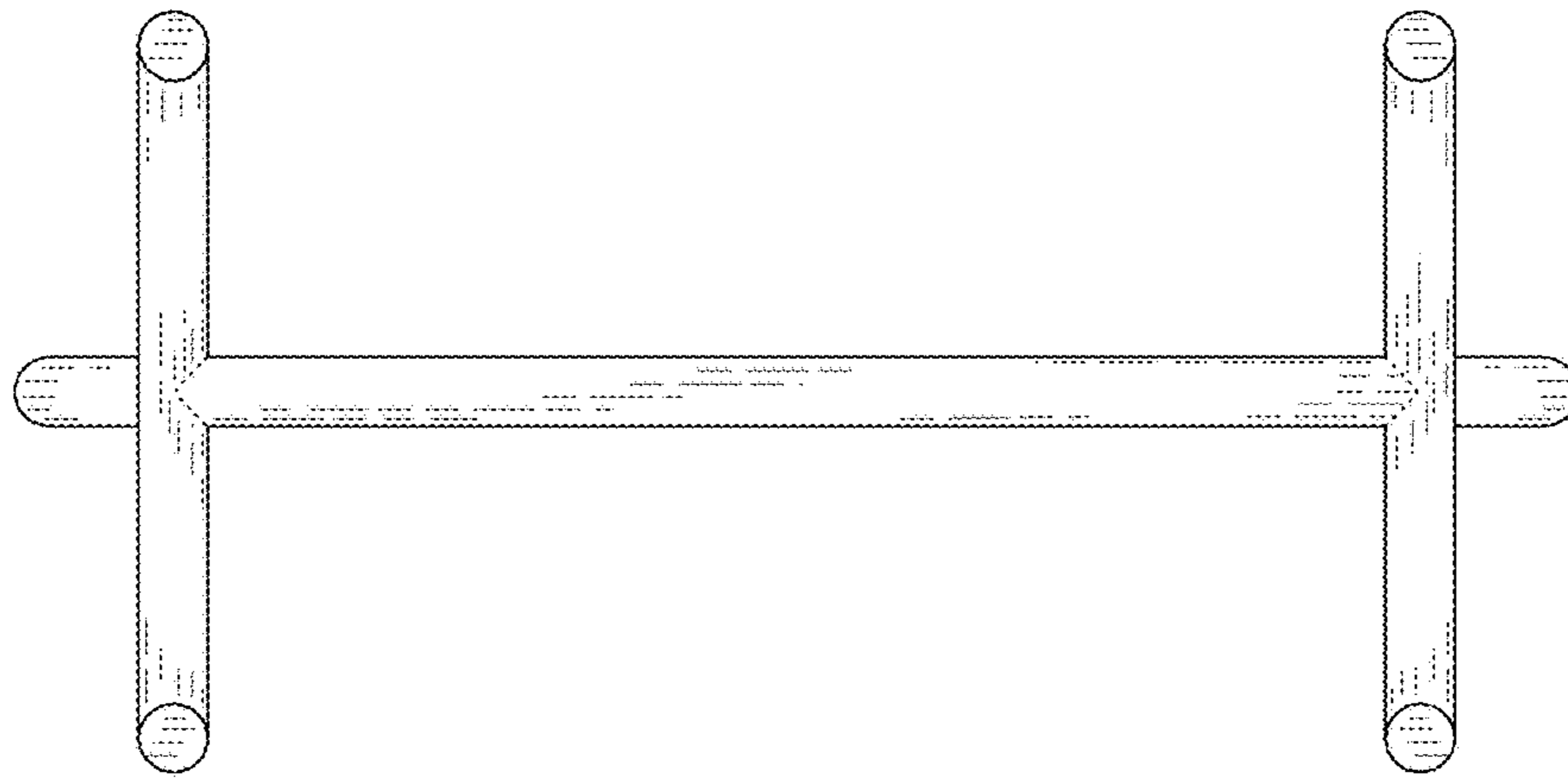


FIG. 7

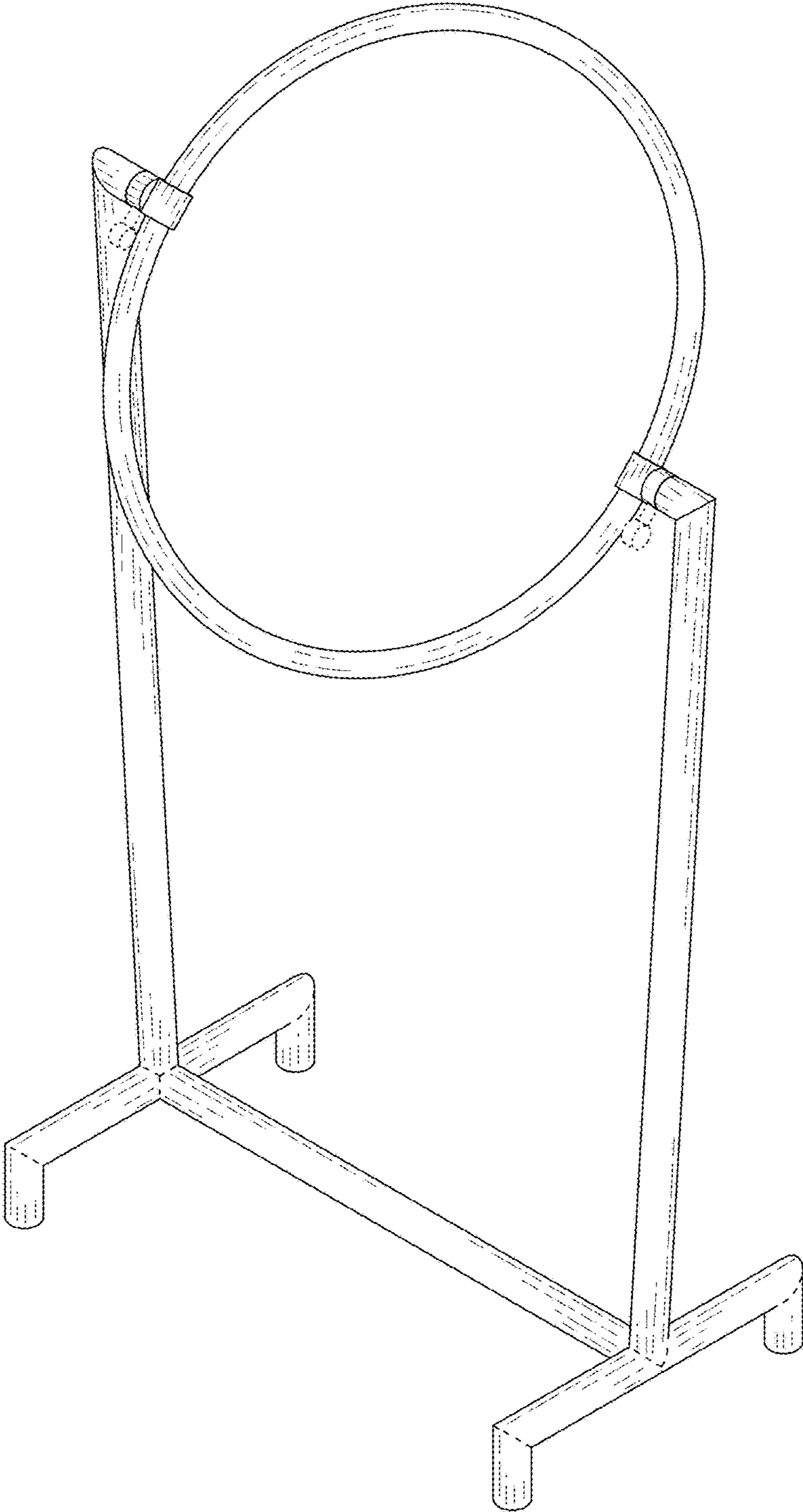


FIG. 8

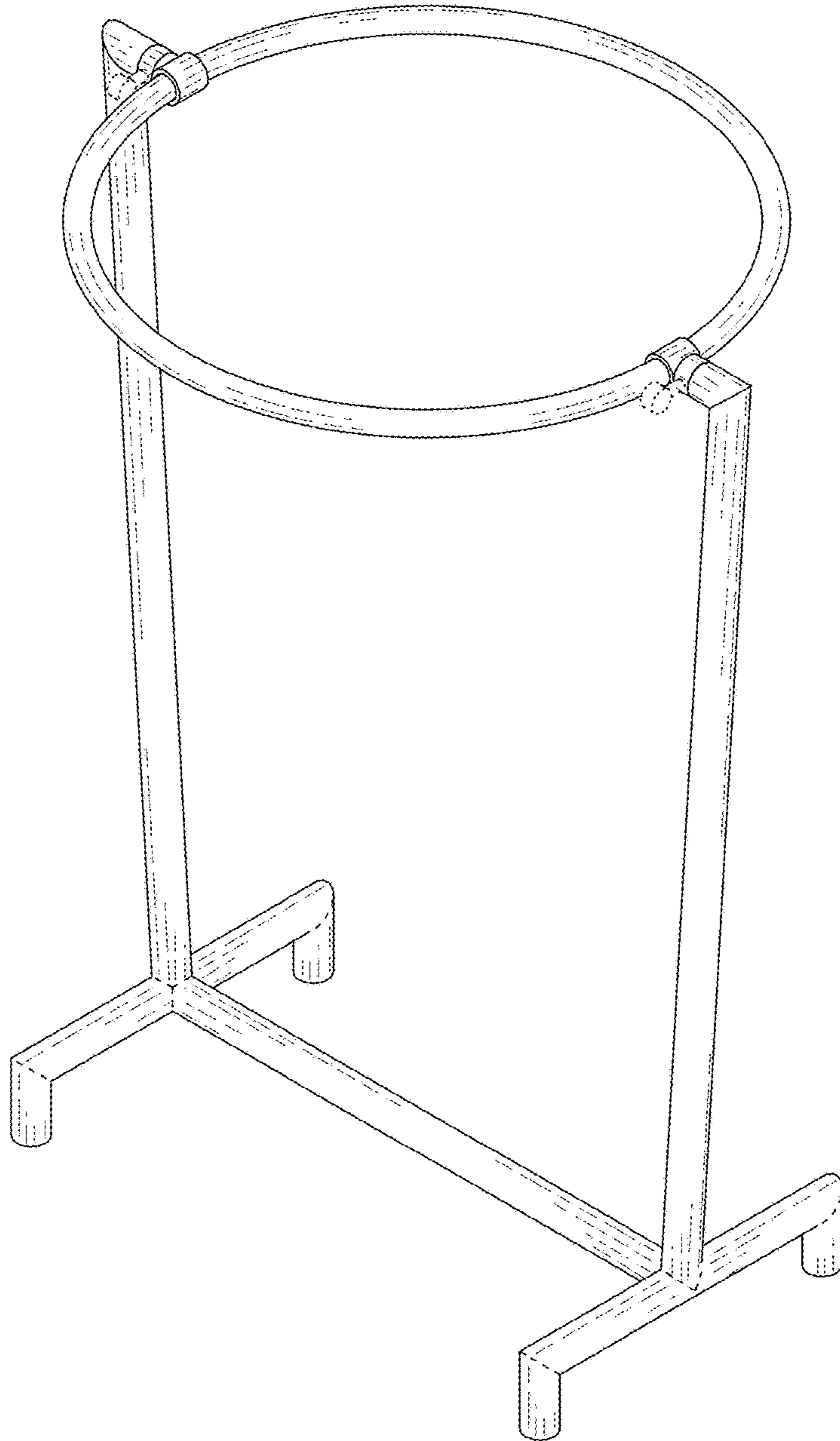


FIG. 9