



US00D867453S

(12) **United States Design Patent** (10) **Patent No.:** **US D867,453 S**
Xie (45) **Date of Patent:** **** Nov. 19, 2019**

- (54) **PEN**
- (71) Applicant: **Beifa Group Co., Ltd.**, Ningbo (CN)
- (72) Inventor: **Jianzhe Xie**, Ningbo (CN)
- (73) Assignee: **Beifa Group Co., Ltd.**, Ningbo (CN)
- (**) Term: **15 Years**
- (21) Appl. No.: **29/636,592**
- (22) Filed: **Feb. 9, 2018**
- (30) **Foreign Application Priority Data**
Aug. 11, 2017 (CN) 2017 3 0366614
- (51) **LOC (12) Cl.** **19-06**
- (52) **U.S. Cl.**
USPC **D19/164**; D19/916
- (58) **Field of Classification Search**
USPC D19/115-204; D14/411
CPC . B43K 5/005; B43K 7/12; B43K 8/04; B43K
8/06; B43K 19/00; B43K 19/02; B43K
19/14; B43K 21/006; B43K 21/06
See application file for complete search history.

(56) **References Cited**

U.S. PATENT DOCUMENTS

- 1,356,195 A * 10/1920 Dickers B43K 25/022
24/11 CC
- D81,254 S * 5/1930 Parker D19/168
- 2,123,427 A * 7/1938 Kingman B43K 5/145
401/151
- 2,130,853 A * 9/1938 Marshall B43K 25/022
24/11 F
- 2,147,561 A * 2/1939 Sherlock B43L 19/02
30/169
- 2,156,775 A * 5/1939 Zimmer B43K 29/00
40/334
- D234,471 S * 3/1975 Carre D19/168

- D254,912 S * 5/1980 Ito D19/164
- D258,217 S * 2/1981 Sakaoka D19/168
- D323,529 S * 1/1992 Rousseau D19/168
- D323,673 S * 2/1992 Gomez D19/169
- D330,217 S * 10/1992 Booker D19/168
- D339,162 S * 9/1993 Verhaegue D19/167
- D354,309 S * 1/1995 Lin D10/31
- D357,276 S * 4/1995 Bruhn D19/168
- D383,494 S * 9/1997 Polenberg D19/168
- D395,672 S * 6/1998 Navarro D19/159
- D403,706 S * 1/1999 Fukami D19/170
- D611,098 S * 3/2010 Collin D19/169
- D662,986 S * 7/2012 Liu D19/169
- D668,293 S * 10/2012 Chen D19/169
- D683,405 S * 5/2013 Bruzzi D19/196
- D700,656 S * 3/2014 Schweig D19/168
- D816,165 S * 4/2018 Haug D19/163
- D822,110 S * 7/2018 Marechal D19/127
- D835,191 S * 12/2018 Jin D19/169

* cited by examiner

Primary Examiner — Elizbaeth A. Albert

(74) *Attorney, Agent, or Firm* — Seed Intellectual Property Law Group LLP

(57) **CLAIM**

The ornamental design for a pen, as shown and described.

DESCRIPTION

FIG. 1 is a front left perspective view of a pen showing my new design.

FIG. 2 is a front elevation view thereof.

FIG. 3 is a rear elevation view thereof.

FIG. 4 is a right side elevation view thereof, with the left side elevation view being a mirror image of the right side elevation view.

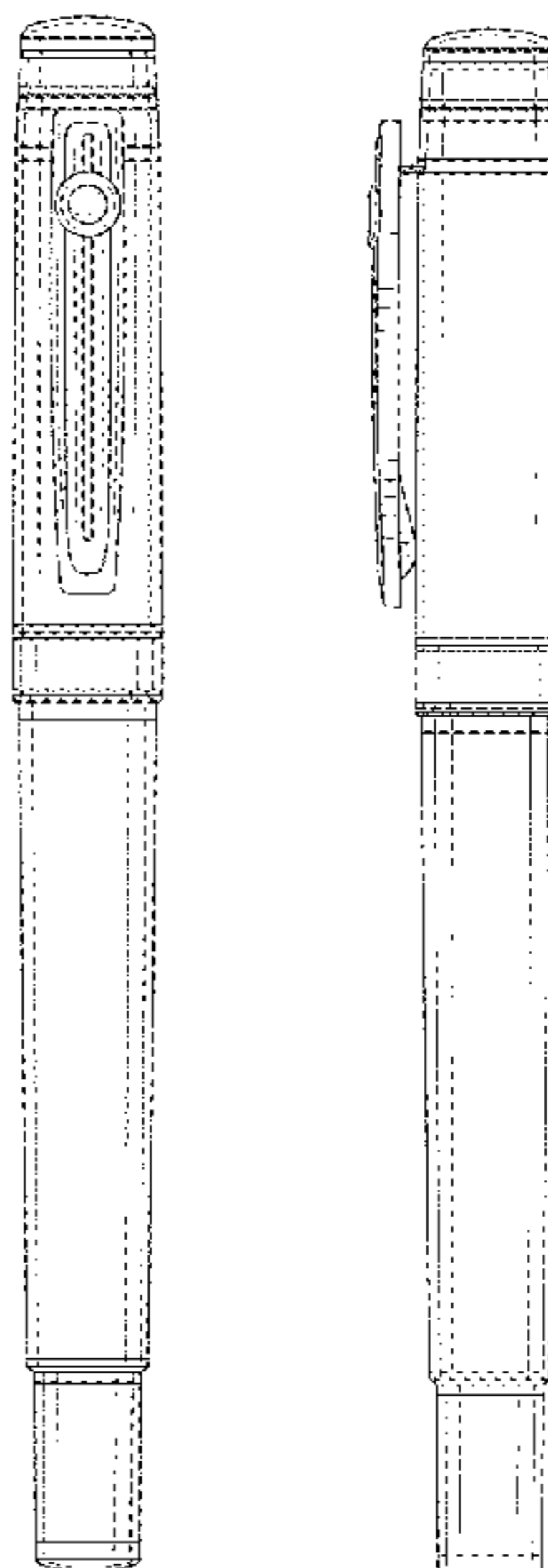
FIG. 5 is a top plan view thereof.

FIG. 6 is a bottom plan view thereof.

FIG. 7 is an enlarged top plan view thereof; and,

FIG. 8 is an enlarged bottom plan view thereof.

1 Claim, 3 Drawing Sheets



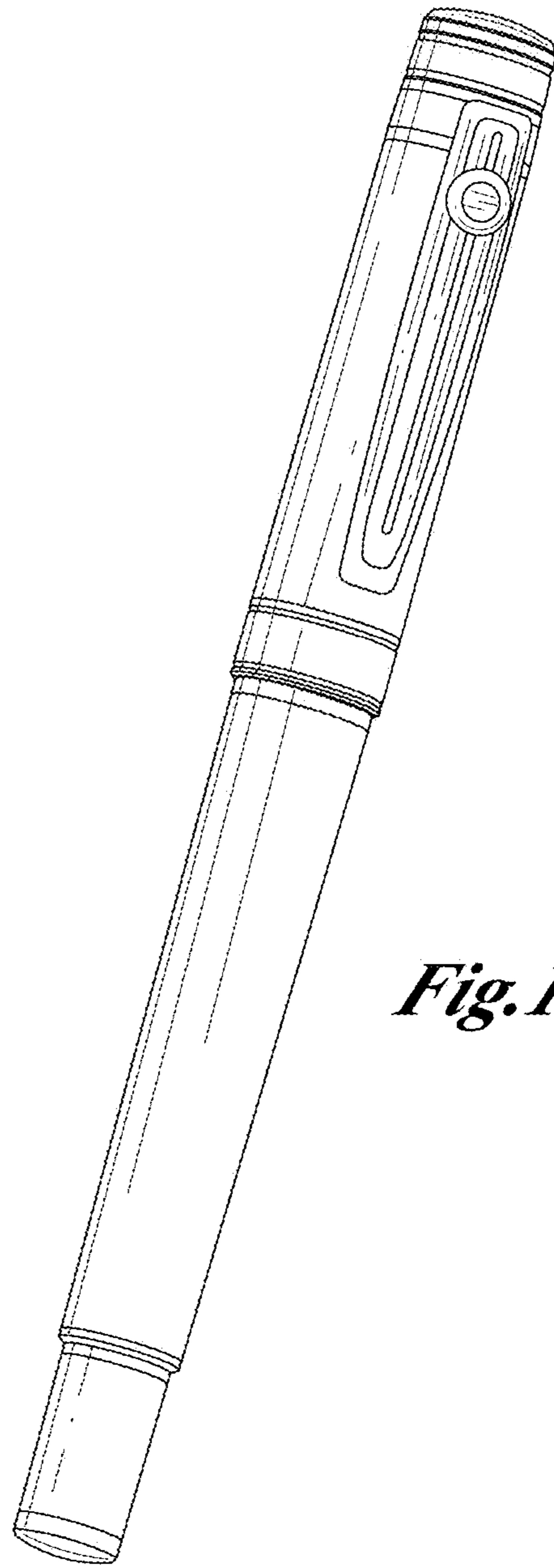


Fig. 1.

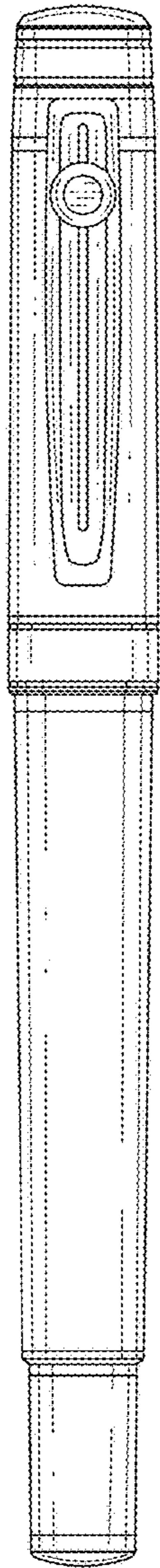


Fig. 2.

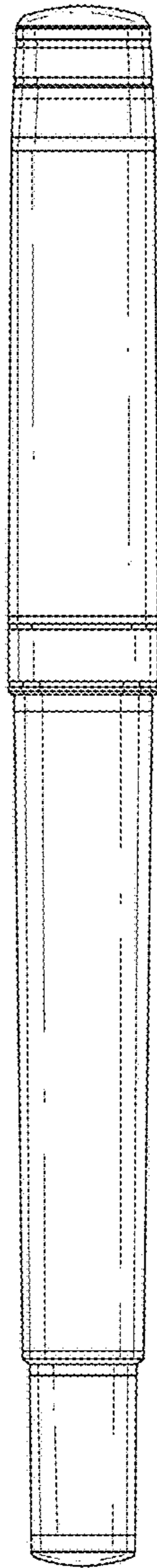


Fig. 3.

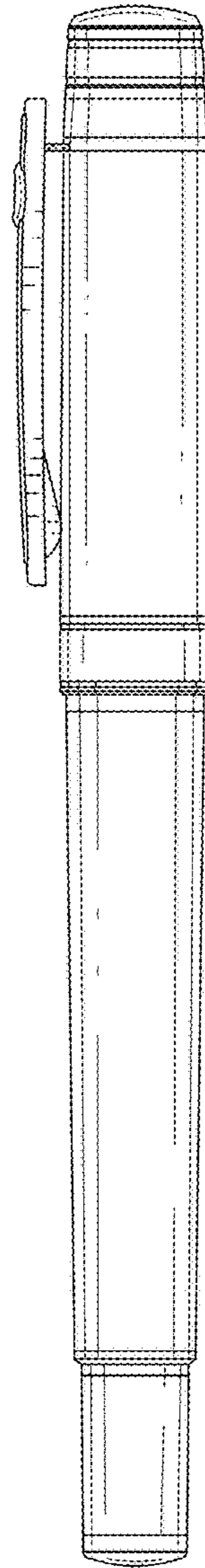


Fig. 4.

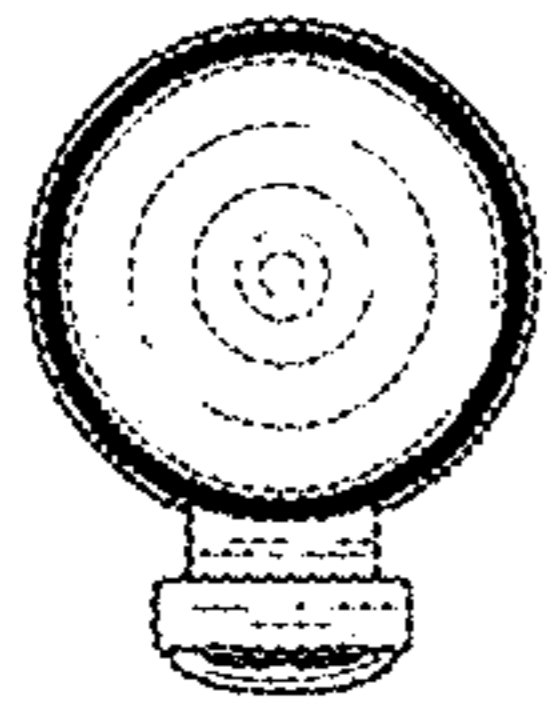


Fig. 5.

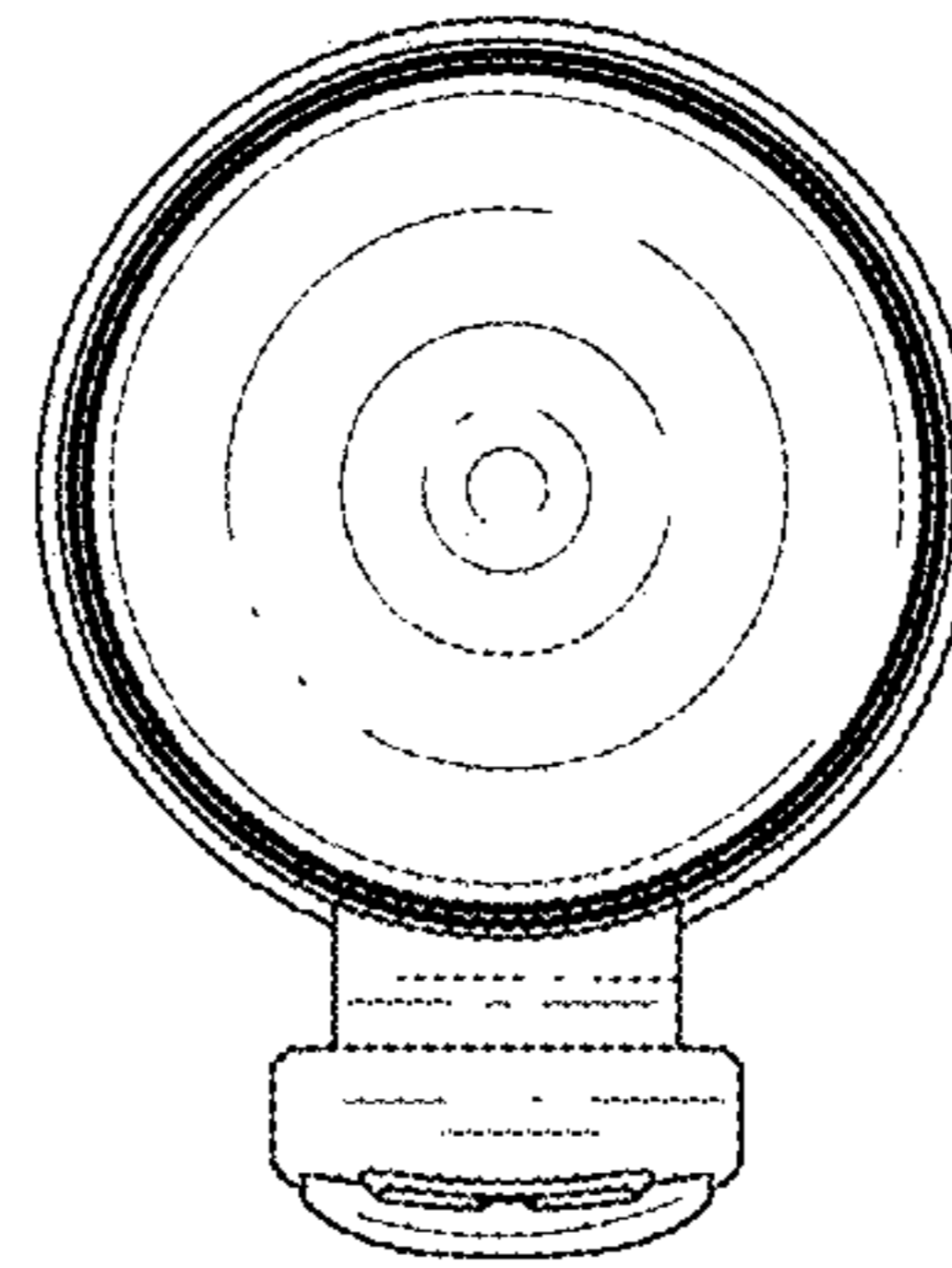


Fig. 7.

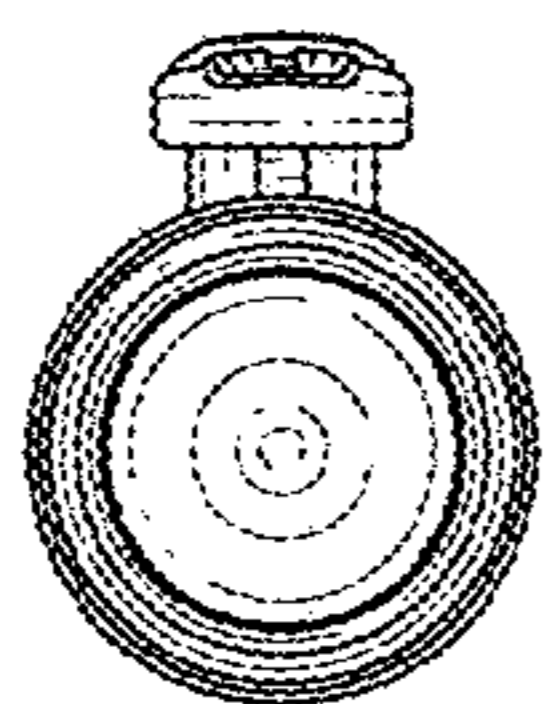


Fig. 6.

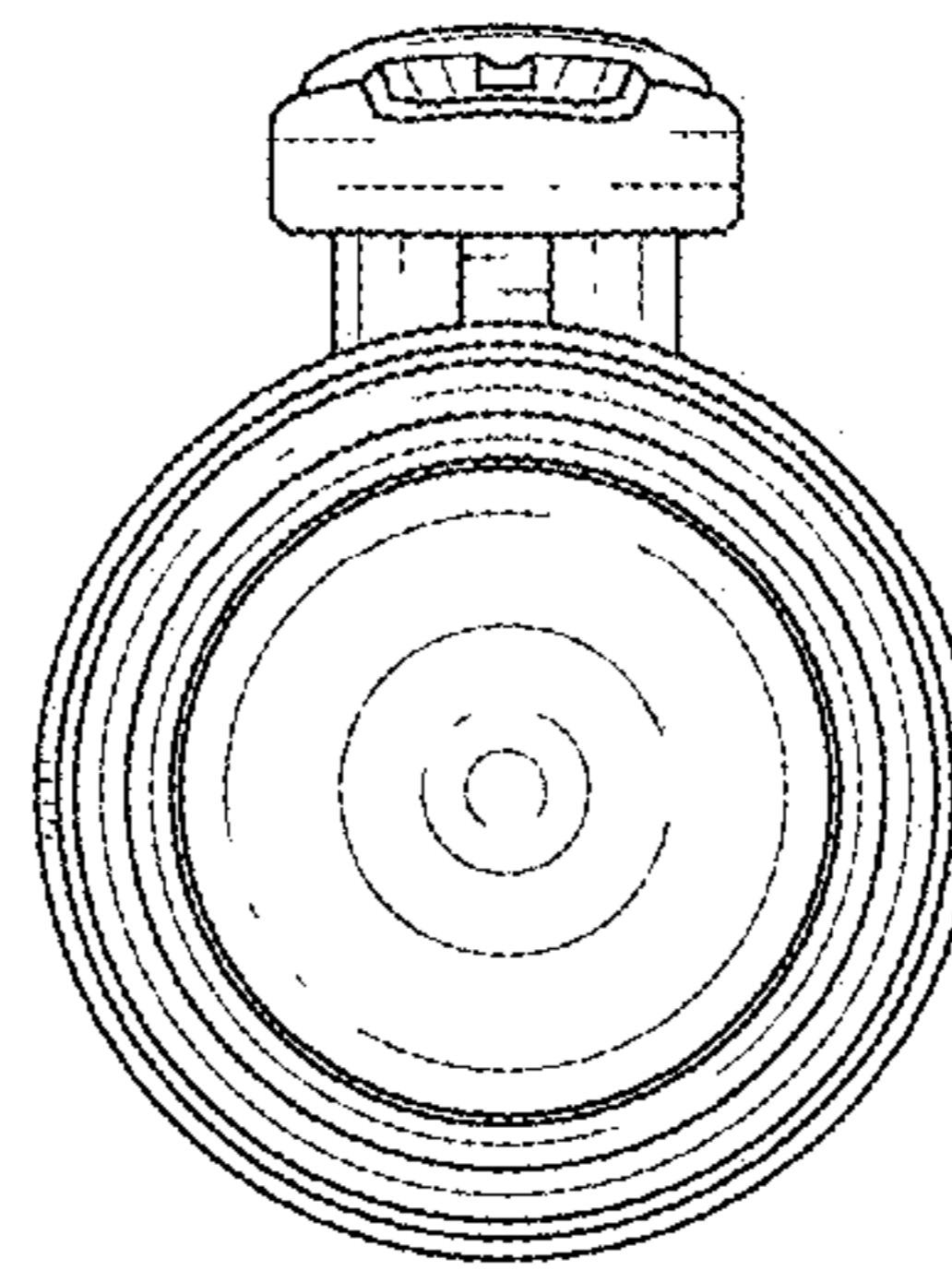


Fig. 8.