



US00D867446S

(12) **United States Design Patent** (10) **Patent No.:** **US D867,446 S**
Tsiopanos et al. (45) **Date of Patent:** **** Nov. 19, 2019**

(54) **RIBBON CARTRIDGE**
(71) Applicant: **ZEBRA TECHNOLOGIES CORPORATION**, Lincolnshire, IL (US)
(72) Inventors: **Konstantinos Tsiopanos**, Selden, NY (US); **JaeHo Choi**, Whitestone, NY (US)
(73) Assignee: **Zebra Technologies Corporation**, Lincolnshire, IL (US)

5,246,299 A 9/1993 Kitsuki
D361,592 S 8/1995 Niwano
D383,743 S 9/1997 Suwa
5,794,102 A 8/1998 Coffey
5,810,490 A 9/1998 Kondo
D418,860 S 1/2000 Shimoyama
D420,696 S 2/2000 Yung
D425,545 S 5/2000 Ishida

(Continued)

FOREIGN PATENT DOCUMENTS

JP 200584439 A 3/2005

OTHER PUBLICATIONS

Zebra P630i/P640i Card Printer User's Manual, Manual, 2006, pp. 8, 26-28, 980541-003 Rev. A, ZIH Corp. available in U.S. Appl. No. 29/606,497 to which priority is claimed.

(Continued)

Primary Examiner — Marie D. Fast Horse

(**) Term: **15 Years**
(21) Appl. No.: **29/681,900**
(22) Filed: **Feb. 28, 2019**

Related U.S. Application Data

(63) Continuation of application No. 29/606,497, filed on Jun. 5, 2017, now Pat. No. Des. 848,526.

(51) **LOC (12) Cl.** **18-02**

(52) **U.S. Cl.**
USPC **D18/56**; D18/12

(58) **Field of Classification Search**

USPC D18/12, 18, 40, 43, 44, 56, 58, 99;
D14/462, 471, 474-477, 481-484, 432,
D14/217; D15/78, 89, 138, 145, 146,
D15/199; 400/194-196, 207-208, 208.1,
400/235.1, 236, 242, 247, 331; 347/214;
360/132, 134
CPC ... B41J 32/00; B41J 32/02; B41J 11/44; B41J
17/28; B41J 17/30; B41J 17/32; B41J
31/00; B41J 33/14; B41J 35/26; B41J
35/28; B41J 35/30

See application file for complete search history.

(56) **References Cited**

U.S. PATENT DOCUMENTS

D270,914 S 10/1983 Nader
D327,495 S 6/1992 Nagai

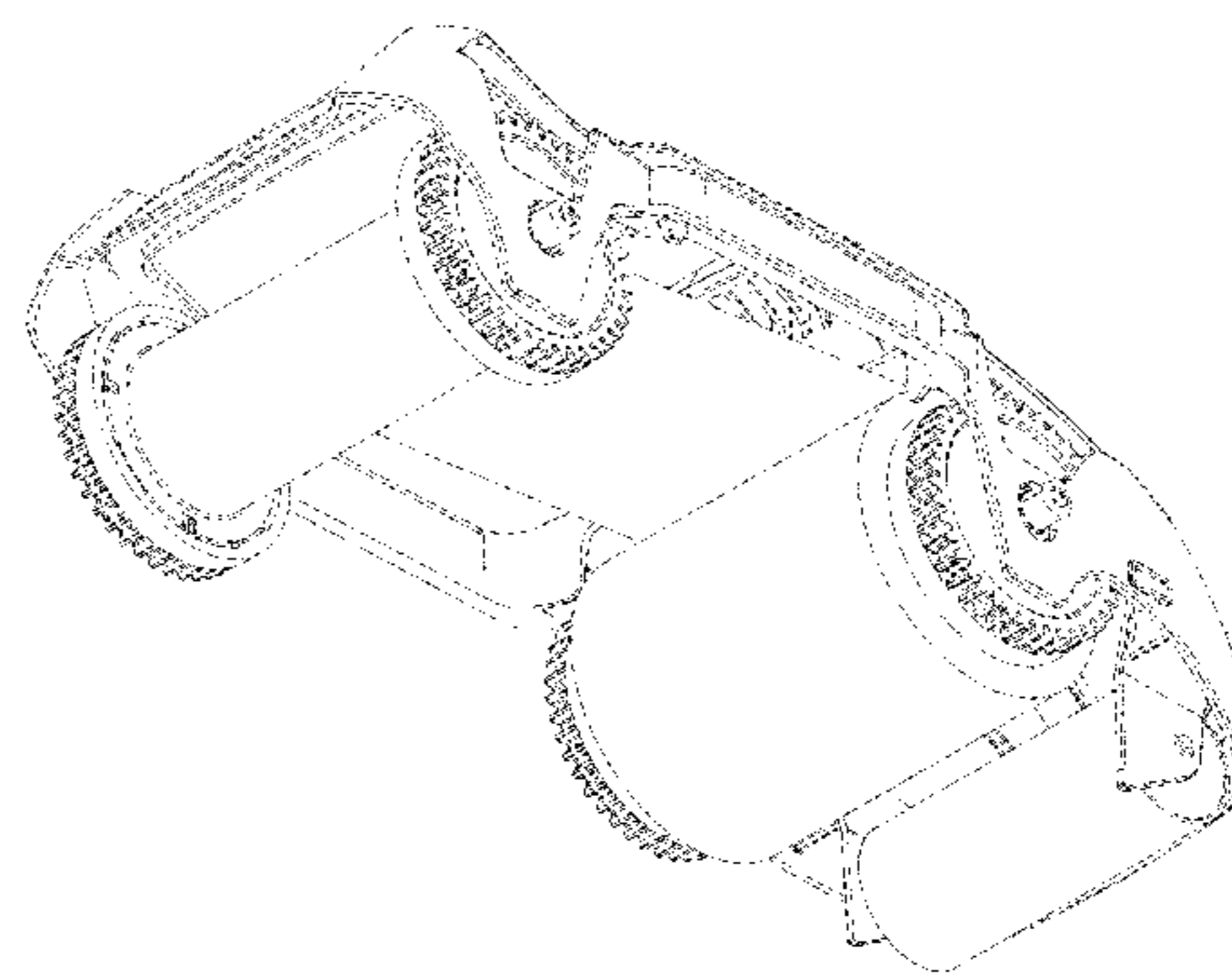
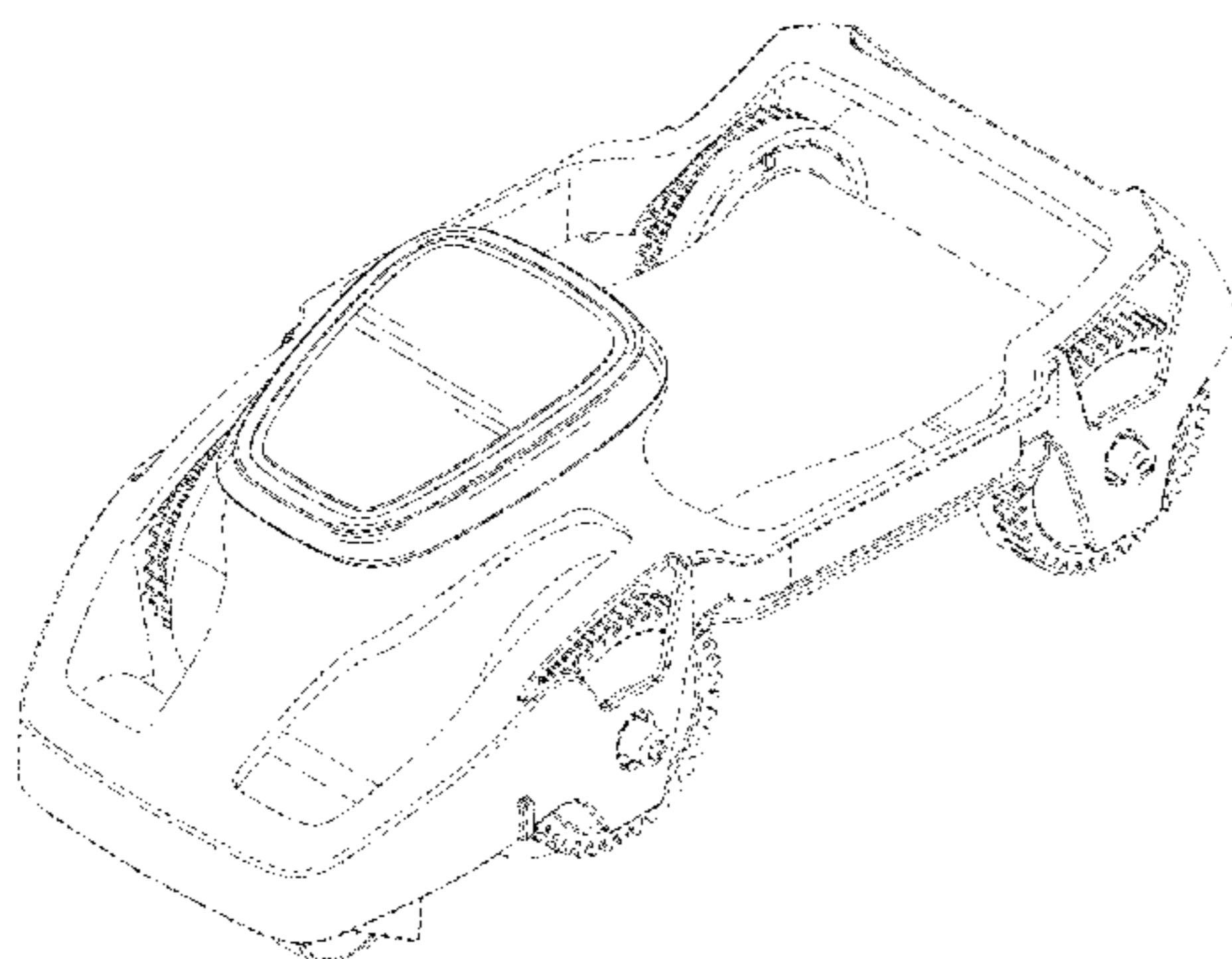
(57) **CLAIM**

We claim the ornamental design for a ribbon cartridge, as shown and described.

DESCRIPTION

FIG. 1 is a first perspective view of a ribbon cartridge showing our new design;
FIG. 2 is a second perspective view thereof;
FIG. 3 is a first side view thereof;
FIG. 4 is a second side view thereof;
FIG. 5 is a top view thereof;
FIG. 6 is a bottom view thereof;
FIG. 7 is a front view thereof; and,
FIG. 8 is a back view thereof.
The broken lines depict unclaimed portions of the ribbon cartridge, are for illustrative purposes only and form no part of the claimed design.

1 Claim, 7 Drawing Sheets



(56)

References Cited

U.S. PATENT DOCUMENTS

D432,561 S 10/2000 Shimamura
 D442,211 S 5/2001 Hayashi
 D446,239 S 8/2001 Funaki
 D453,179 S 1/2002 Neri
 D453,180 S 1/2002 Matsumoto
 D454,151 S 3/2002 Neri
 D458,295 S 6/2002 Neri
 D458,956 S 6/2002 Neri
 D464,670 S 10/2002 Du
 D480,749 S 10/2003 Milton
 D481,414 S 10/2003 Milton
 6,659,664 B1 12/2003 Holland
 D504,907 S 5/2005 Neri
 D505,445 S 5/2005 Neri
 D514,153 S 1/2006 Tu
 D521,052 S 5/2006 Tu
 D523,062 S 6/2006 Tu
 D523,063 S 6/2006 Tu
 D523,891 S 6/2006 Tu
 D527,761 S 9/2006 Neri
 D531,657 S 11/2006 Yamamoto
 D539,842 S 4/2007 Minami
 D541,854 S 5/2007 Motoki
 D544,536 S 6/2007 Motoki
 D544,910 S 6/2007 Wang
 D545,358 S 6/2007 Motoki
 D545,883 S 7/2007 Yamamoto
 D552,171 S 10/2007 Motoki
 D569,901 S 5/2008 Jao
 D586,843 S 2/2009 Hashimoto
 D587,745 S 3/2009 Hashimoto
 D589,552 S 3/2009 Sulser
 D589,553 S 3/2009 Sulser
 D593,595 S 6/2009 Kubota
 D594,503 S 6/2009 Sakano
 D594,898 S 6/2009 Preliasco
 D597,594 S 8/2009 Ito
 D599,843 S 9/2009 Jao
 D614,169 S 4/2010 Jiang
 D654,533 S 2/2012 Carter
 D674,839 S 1/2013 Sakano
 D699,301 S 2/2014 Pak
 D737,352 S 8/2015 May
 D757,172 S 5/2016 Tanaka
 D760,827 S 7/2016 May
 D765,774 S 9/2016 Tanaka
 D791,777 S 7/2017 Luo
 D848,526 S * 5/2019 Tsiopanos D18/56
 2004/0109715 A1 6/2004 Meirer et al.

2005/0024471 A1 2/2005 Okuie
 2006/0239743 A1 10/2006 Naito
 2006/0251461 A1 11/2006 Lodwig
 2007/0020011 A1 1/2007 Maruyama
 2007/0025791 A1 1/2007 Lin
 2007/0077107 A1 4/2007 Dochi
 2011/0217109 A1 9/2011 Cronin et al.
 2015/0062278 A1 3/2015 Suzuki
 2015/0145940 A1 5/2015 Suzuki
 2015/0283834 A1 10/2015 Ohta
 2016/0067991 A1 3/2016 Gao
 2016/0176213 A1 6/2016 Tanaka

OTHER PUBLICATIONS

Zebra P330i/330M Card Printer User's Manual, Manual, 2004/2005, pp. 26 and 27, 980459-001 Rev. C, ZIH Corp. available in U.S. Appl. No. 29/606,497 to which priority is claimed.
 Printing and Encoding Solutions, Fargo HDP8500 Industrial Card Printer/Encoder, Brochure, 2014, p. 3, Fargo. available in U.S. Appl. No. 29/606,497 to which priority is claimed.
 Polaroid XPS Card Printer, Installation and User Guide, Jun. 2011, entire document, Part No. 539957-020 Rev. A. available in U.S. Appl. No. 29/606,497 to which priority is claimed.
 Evolis Tattoo 2: User's Guide, Sep. 2007, entire document, Evolis Card Printer. available in U.S. Appl. No. 29/606,497 to which priority is claimed.
 U.S. Appl. No. 15/644,048, filed Jul. 7, 2017. available in U.S. Appl. No. 29/606,497 to which priority is claimed.
 Evolis Primacy User Guide, Manual, Sep. 2016, entire document, Ref# KU-PRM1-C37-ENC Rev. C6, Evolis. available in U.S. Appl. No. 29/606,497 to which priority is claimed.
 NBS Technologies Card Printer, Javelin DNA User Guide Manual, Manual, 2015, entire document. available in U.S. Appl. No. 29/606,497 to which priority is claimed.
 U.S. Appl. No. 14/670,961, filed Mar. 27, 2015. available in U.S. Appl. No. 29/606,497 to which priority is claimed.
 U.S. Appl. No. 15/807,043, filed Nov. 8, 2017. available in U.S. Appl. No. 29/606,497 to which priority is claimed.
 U.S. Appl. No. 15/951,817, filed Apr. 12, 2018. available in U.S. Appl. No. 29/606,497 to which priority is claimed.
 U.S. Appl. No. 15/643,966, filed Jul. 7, 2017. available in U.S. Appl. No. 29/606,497 to which priority is claimed.
 U.S. Appl. No. 15/643,925, filed Jul. 7, 2017. available in U.S. Appl. No. 29/606,497 to which priority is claimed.
 U.S. Appl. No. 15/644,017, filed Jul. 7, 2017. available in U.S. Appl. No. 29/606,497 to which priority is claimed.

* cited by examiner

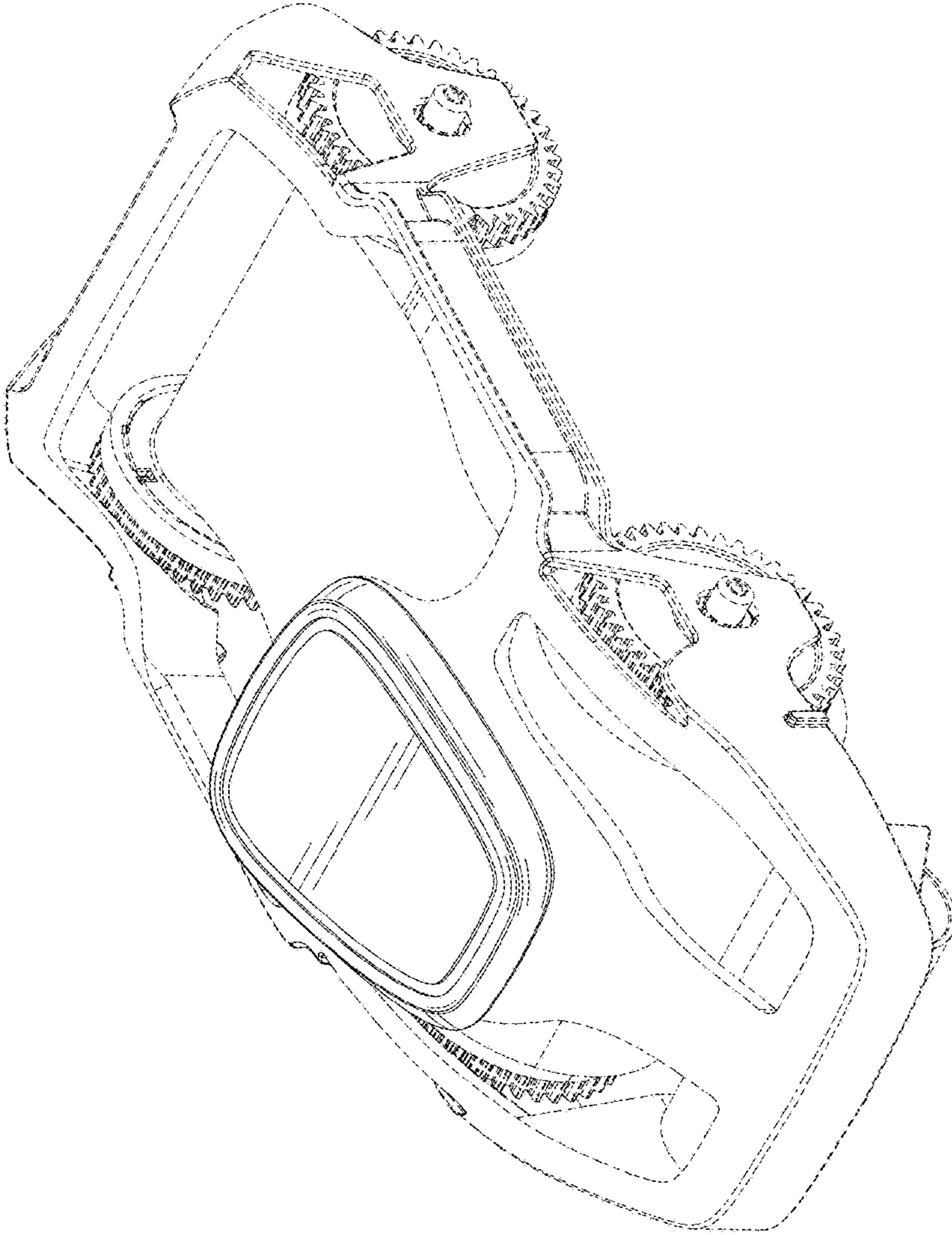


FIG. 1

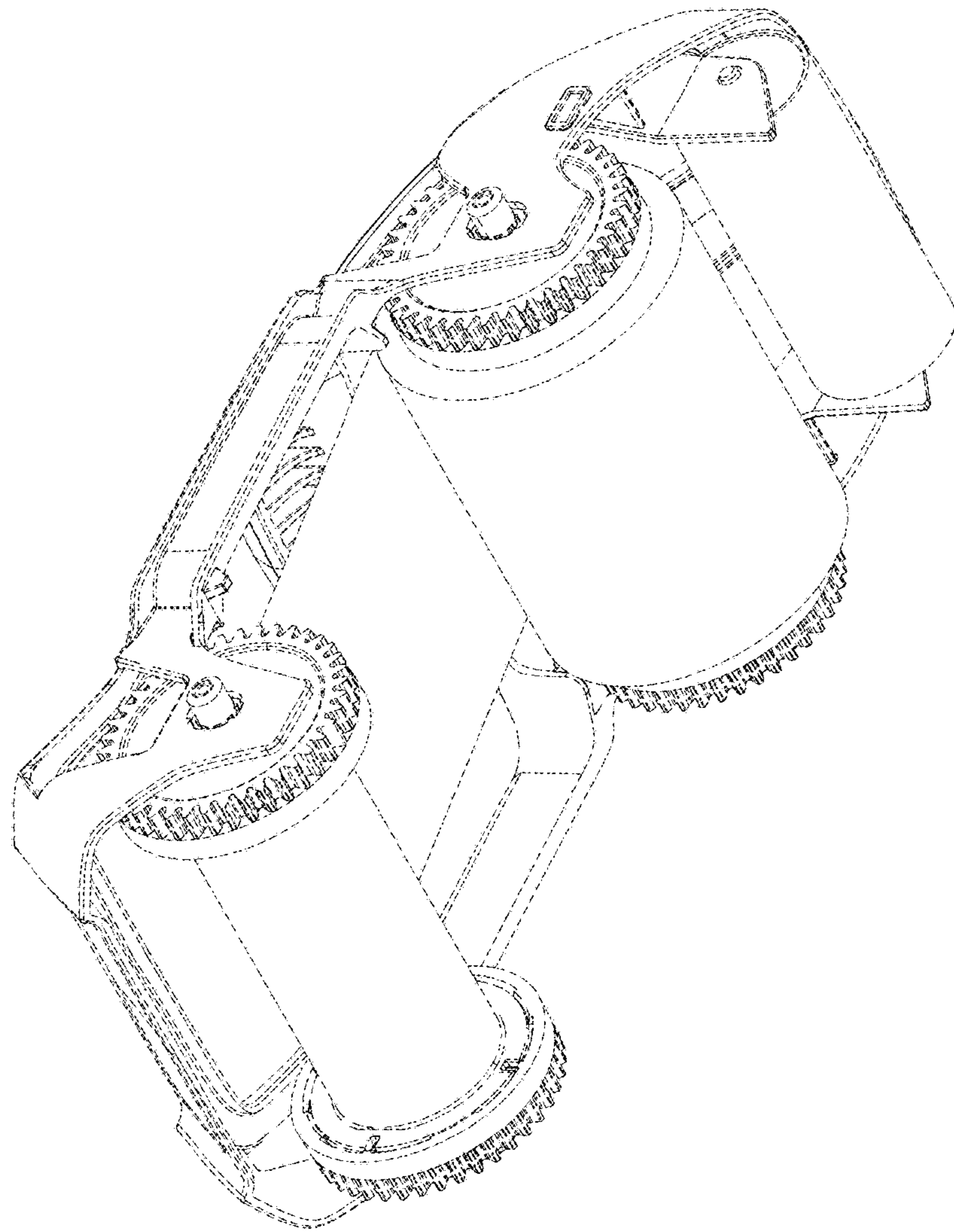


FIG. 2

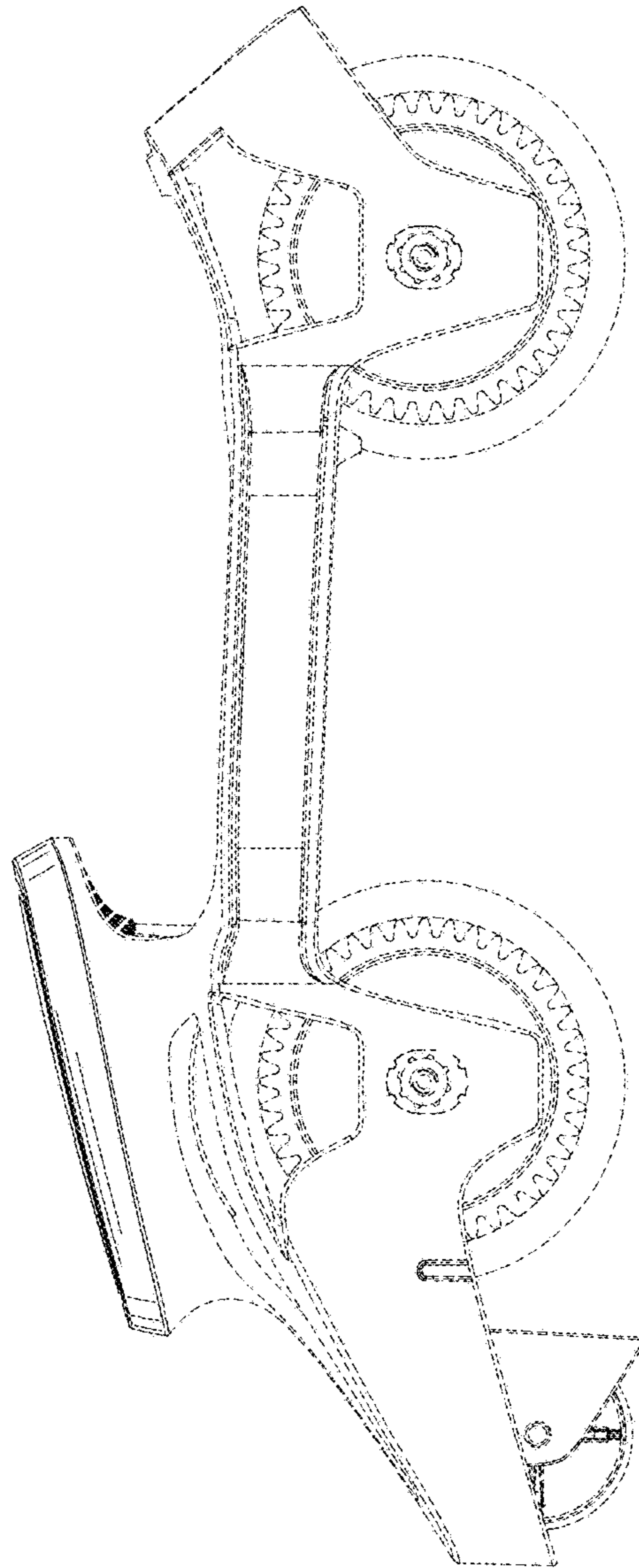


FIG. 3

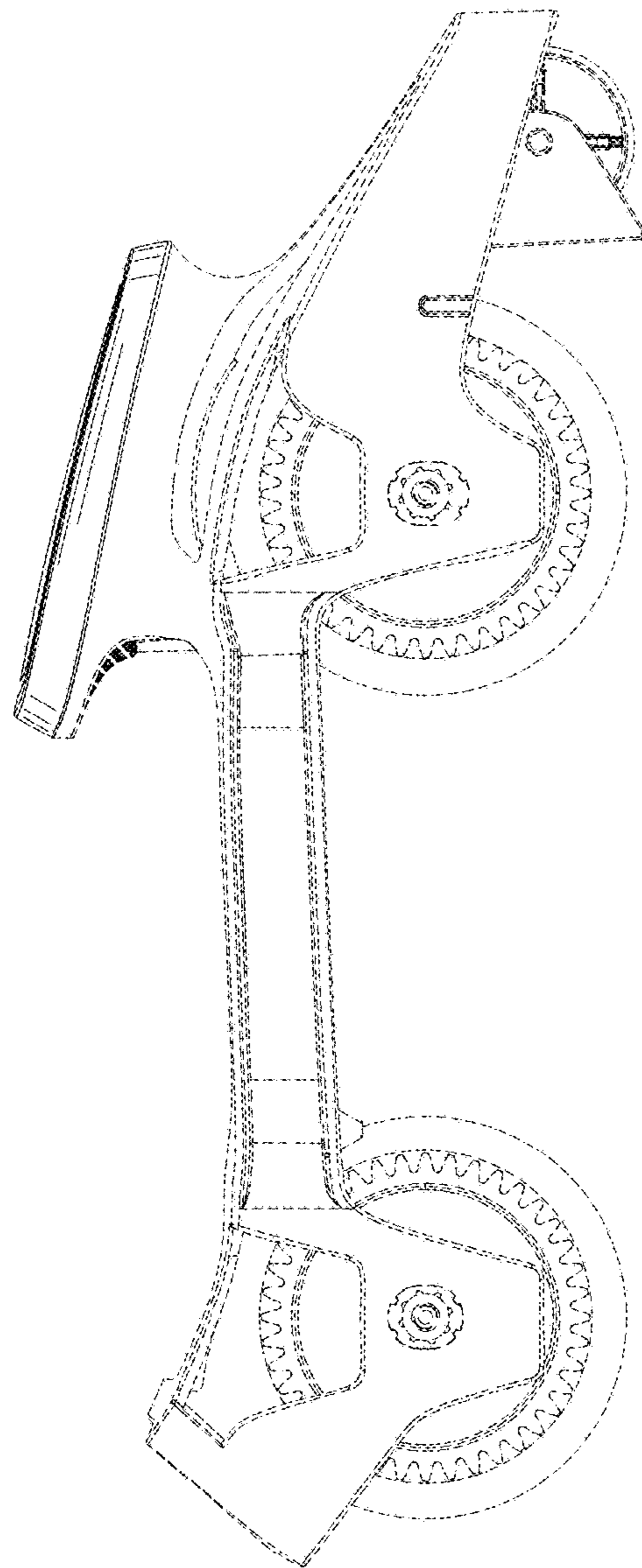


FIG. 4

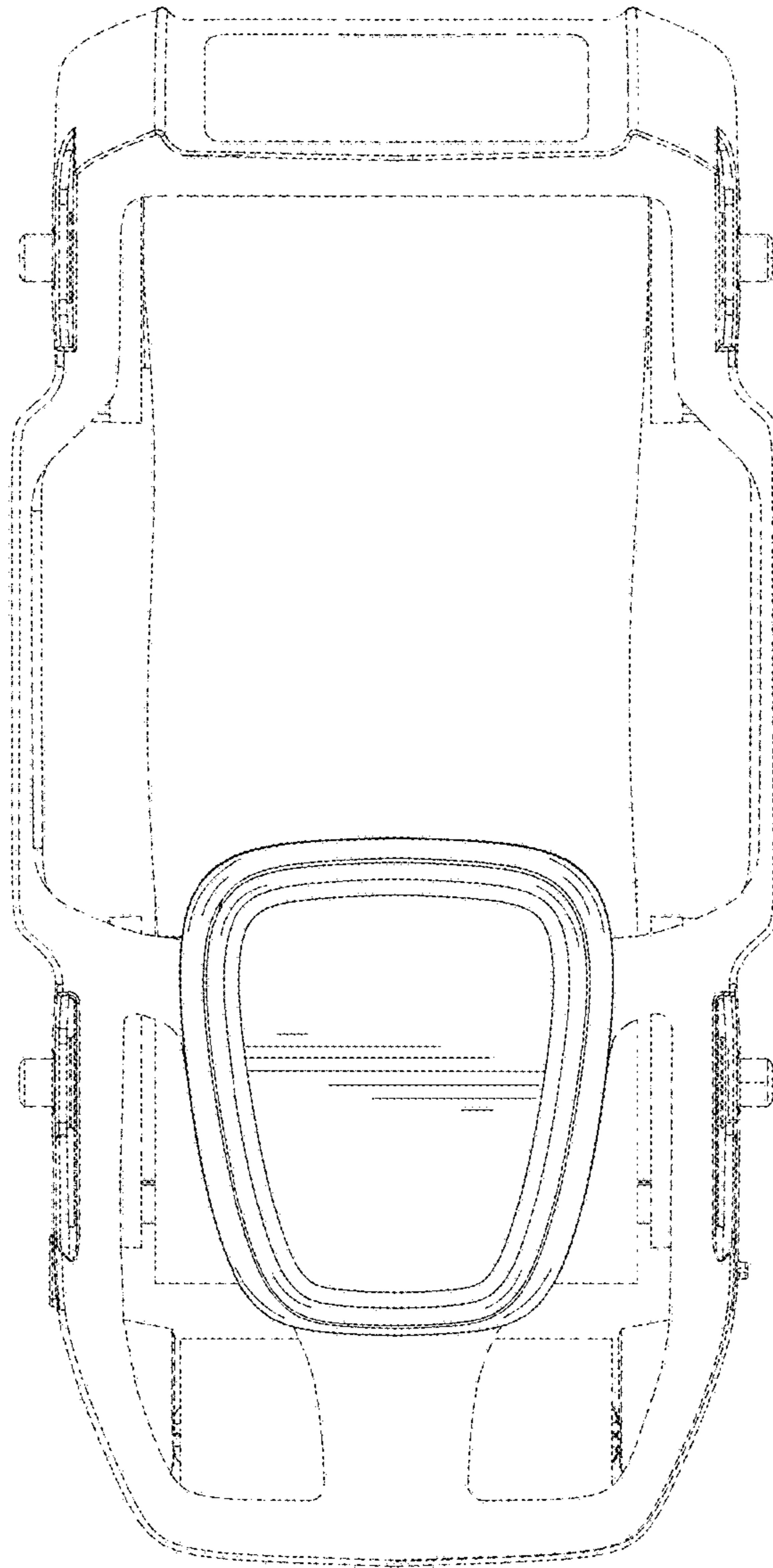


FIG. 5

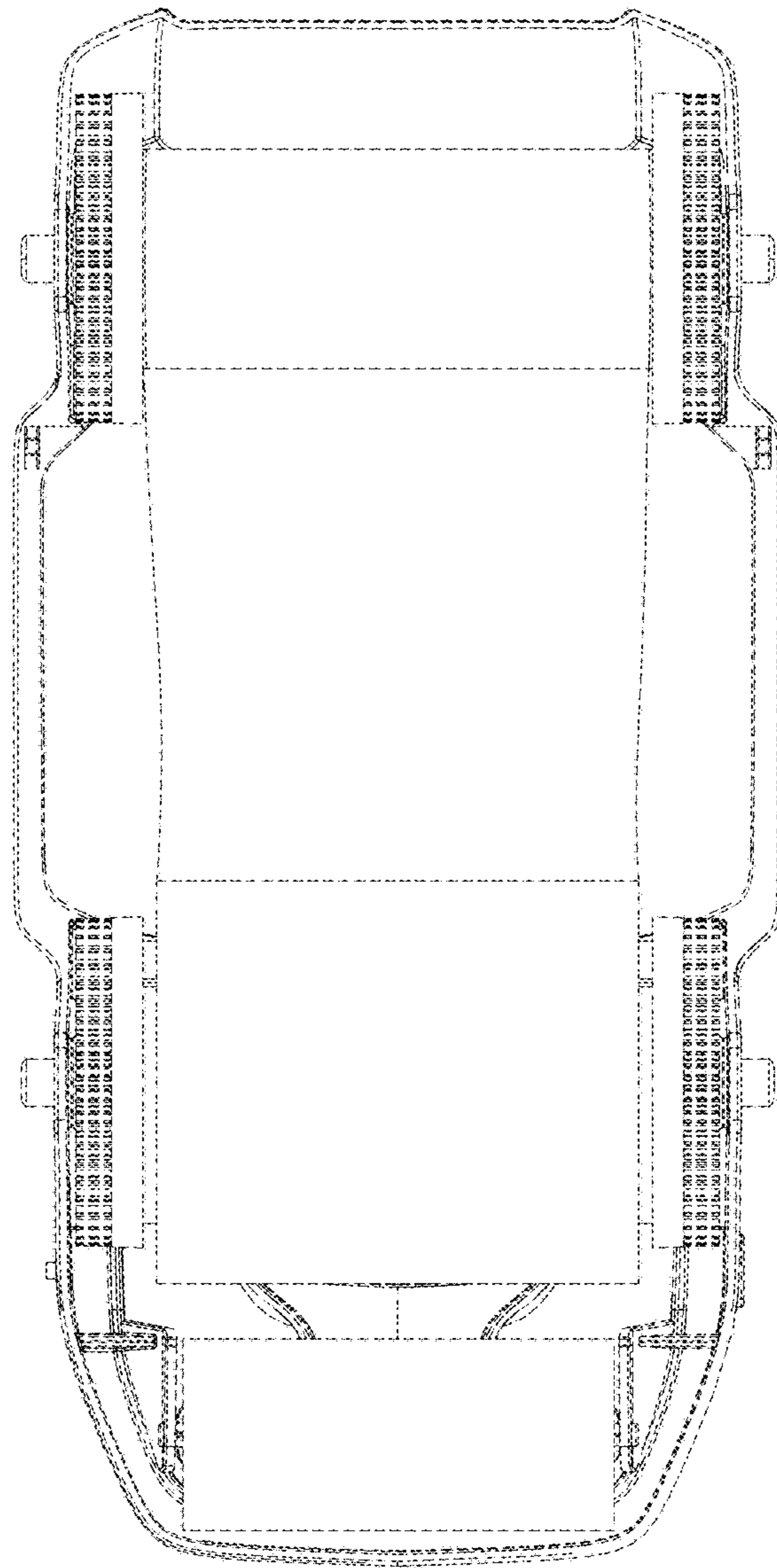


FIG. 6

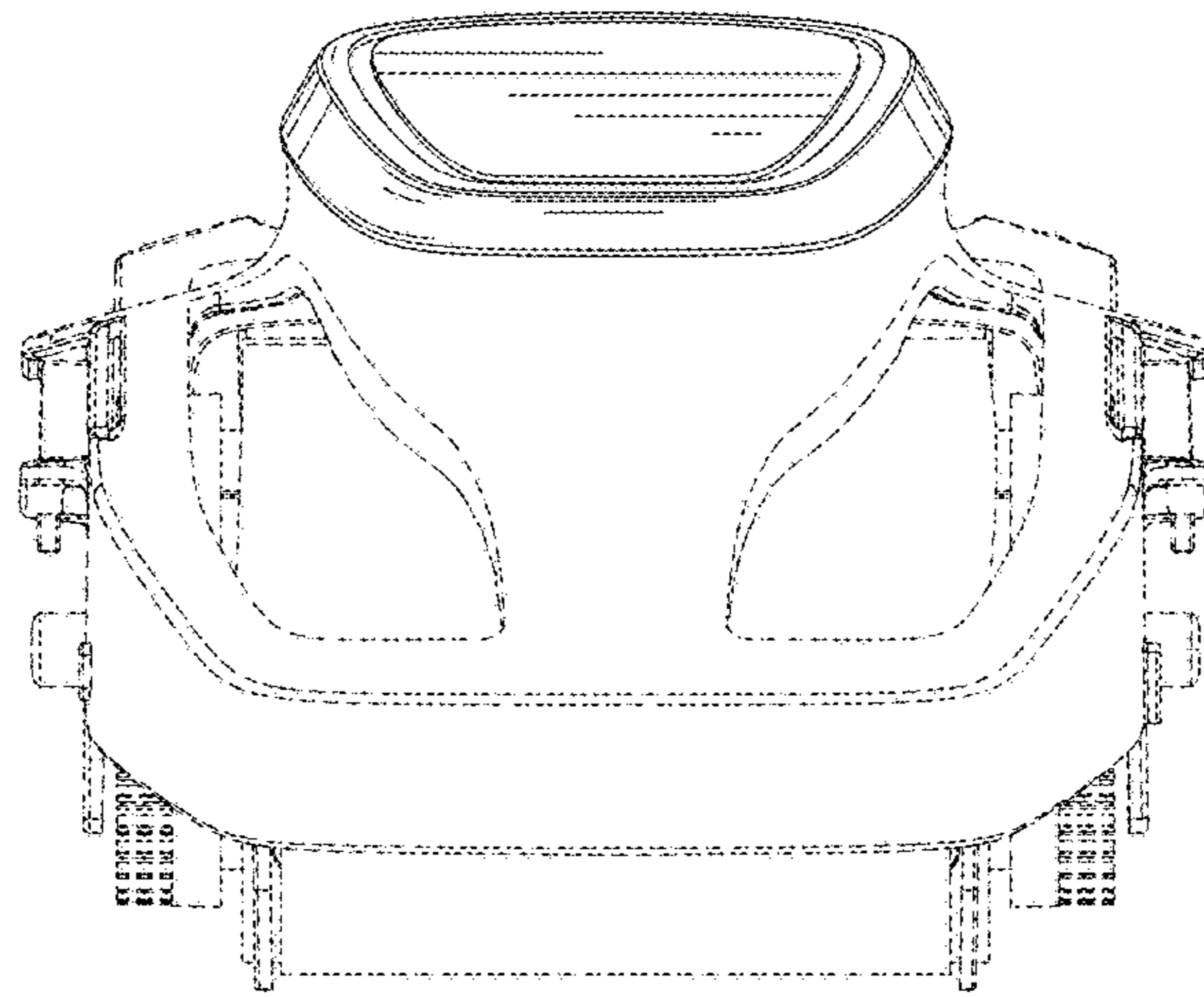


FIG. 7

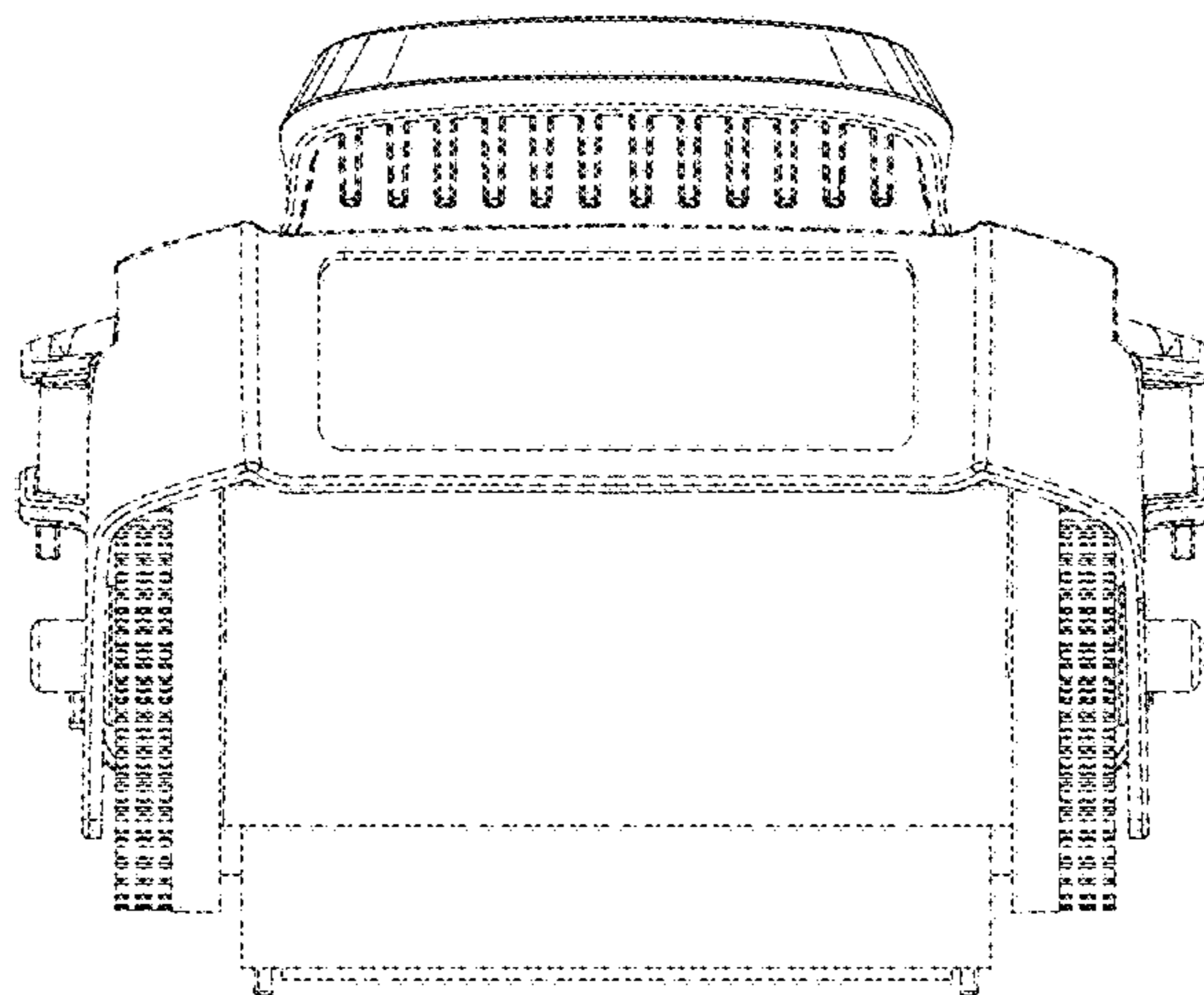


FIG. 8