



US00D867445S

(12) **United States Design Patent** (10) **Patent No.:** **US D867,445 S**  
**Gettelfinger et al.** (45) **Date of Patent:** **\*\* Nov. 19, 2019**

(54) **PRINTER PANEL**

(56) **References Cited**

(71) Applicant: **LEXMARK INTERNATIONAL, INC.**, Lexington, KY (US)

(72) Inventors: **Darin Michael Gettelfinger**, Lexington, KY (US); **Matthew Ryan Keniston**, Lexington, KY (US); **Franklin Joseph Palumbo**, Nicholasville, KY (US); **Michael James Shanor**, Lexington, KY (US); **Jay Scott Siekmann**, Nicholasville, KY (US); **Christopher Kent Washing**, Lexington, KY (US)

(73) Assignee: **Lexmark International, Inc.**, Lexington, KY (US)

(\*\*) Term: **15 Years**

(21) Appl. No.: **29/638,906**

(22) Filed: **Mar. 1, 2018**

U.S. PATENT DOCUMENTS

3,740,132 A \* 6/1973 Komori ..... G03B 27/6228  
399/95  
D280,205 S \* 8/1985 Okuyama ..... D18/36  
D282,933 S \* 3/1986 Hara ..... D18/36  
D289,165 S \* 4/1987 Oshima ..... D14/462

(Continued)

FOREIGN PATENT DOCUMENTS

JP D1529830 \* 7/2015

OTHER PUBLICATIONS

Amazon. Link: [https://www.amazon.com/dp/B01B6LY87M/ref=cm\\_sw\\_em\\_r\\_mt\\_dp\\_U\\_5MuxDbJED3J0E](https://www.amazon.com/dp/B01B6LY87M/ref=cm_sw_em_r_mt_dp_U_5MuxDbJED3J0E). Jan. 28, 2016. Lexmark CS725de Color Laser Printer. (Year: 2016).\*

(Continued)

*Primary Examiner* — Susan Bennett Hattan  
*Assistant Examiner* — Lauren D McVey

(57) **CLAIM**

The ornamental design for a printer panel, as shown and described.

**Related U.S. Application Data**

(63) Continuation of application No. 29/547,830, filed on Dec. 8, 2015, now abandoned.

(51) **LOC (12) Cl.** ..... **14-02**

(52) **U.S. Cl.**  
USPC ..... **D18/56**

(58) **Field of Classification Search**  
USPC ..... D18/55, 50, 53, 54, 56, 59, 36, 37, 38,  
D18/39, 40, 41, 45, 49; D14/301, 307,  
D14/121

CPC ..... H04N 1/00204; H04N 1/00249; H04N  
1/00278; G06K 15/12; G06K 15/14; B41J  
3/00; B41J 3/28; B41J 3/445; B41J 3/46

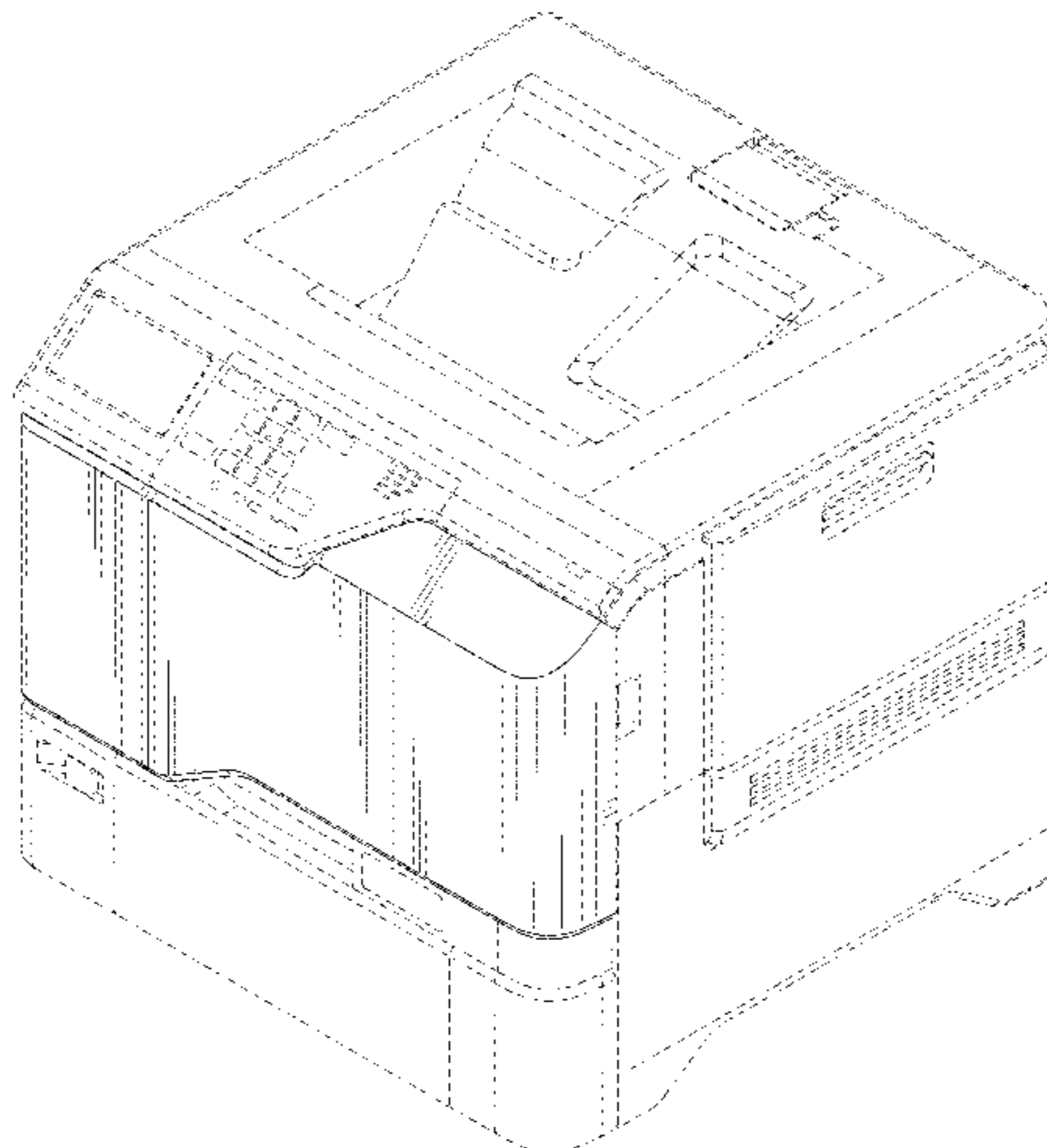
See application file for complete search history.

**DESCRIPTION**

FIG. 1 is a front, top and right side perspective view of a printer panel showing our new design; FIG. 2 is a rear, top and left side perspective thereof; FIG. 3 is a front elevation thereof; FIG. 4 is a right side elevation view thereof; FIG. 5 is a rear elevation view thereof; FIG. 6 is a left side elevation view thereof; and, FIG. 7 is a top plan view thereof.

The bottom of the printer is not shown and is not claimed.

(Continued)



The features shown in broken lines depict environmental subject matter only and form no part of the claimed design.

D689,544 S \* 9/2013 Penke ..... D18/50  
D755,284 S \* 5/2016 Terenzio ..... D18/50  
D795,953 S \* 8/2017 Clark, III ..... D18/55

**1 Claim, 7 Drawing Sheets**

OTHER PUBLICATIONS

(56)

**References Cited**

U.S. PATENT DOCUMENTS

5,331,373 A \* 7/1994 Nomura ..... G03G 21/1864  
347/138  
5,878,309 A \* 3/1999 Nomura ..... G03G 21/181  
399/111  
6,643,482 B2 \* 11/2003 Higeta ..... G03G 21/181  
399/109  
D619,639 S \* 7/2010 Brown ..... D18/40  
D655,747 S \* 3/2012 Shin ..... D18/39  
D678,941 S \* 3/2013 Gilbert ..... D18/55

Amazon. Link: [https://www.amazon.com/dp/B01BBL1JYM/ref=cm\\_sw\\_em\\_r\\_mt\\_dp\\_U\\_kT1IDbSCYVMRH](https://www.amazon.com/dp/B01BBL1JYM/ref=cm_sw_em_r_mt_dp_U_kT1IDbSCYVMRH). Jan. 25, 2016. Lexmark CX725DHE Color Laser Multifunction Printer (40C9501). (Year: 2016).\*

Amazon. Link: [https://www.amazon.com/dp/B01BBL1MVM/ref=cm\\_sw\\_em\\_r\\_mt\\_dp\\_U\\_6txDbDE7XH8S](https://www.amazon.com/dp/B01BBL1MVM/ref=cm_sw_em_r_mt_dp_U_6txDbDE7XH8S). Jan. 25, 2016. Lexmark CX825DTE Color Laser Multifunction Printer (42K0041). (Year: 2016).\*

Amazon. Link: [https://www.amazon.com/dp/B07JFP3DR3/ref=cm\\_sw\\_em\\_r\\_mt\\_dp\\_U\\_IRuxDbVNAMTVR](https://www.amazon.com/dp/B07JFP3DR3/ref=cm_sw_em_r_mt_dp_U_IRuxDbVNAMTVR). Oct. 9, 2018. Lexmark B2650dw Monochrome Laser Printer (36SC471). (Year: 2018).\*

\* cited by examiner

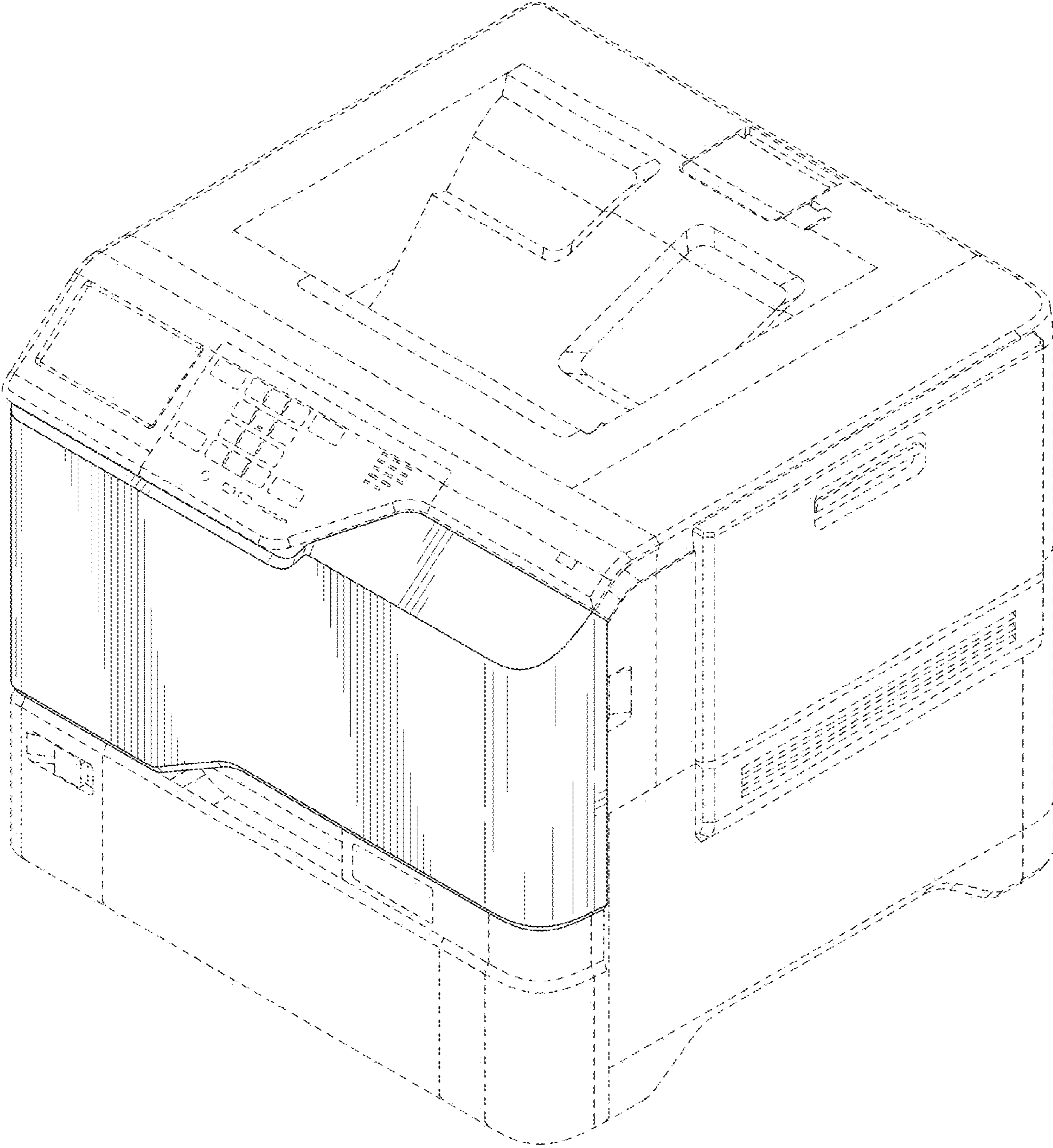


FIG. 1



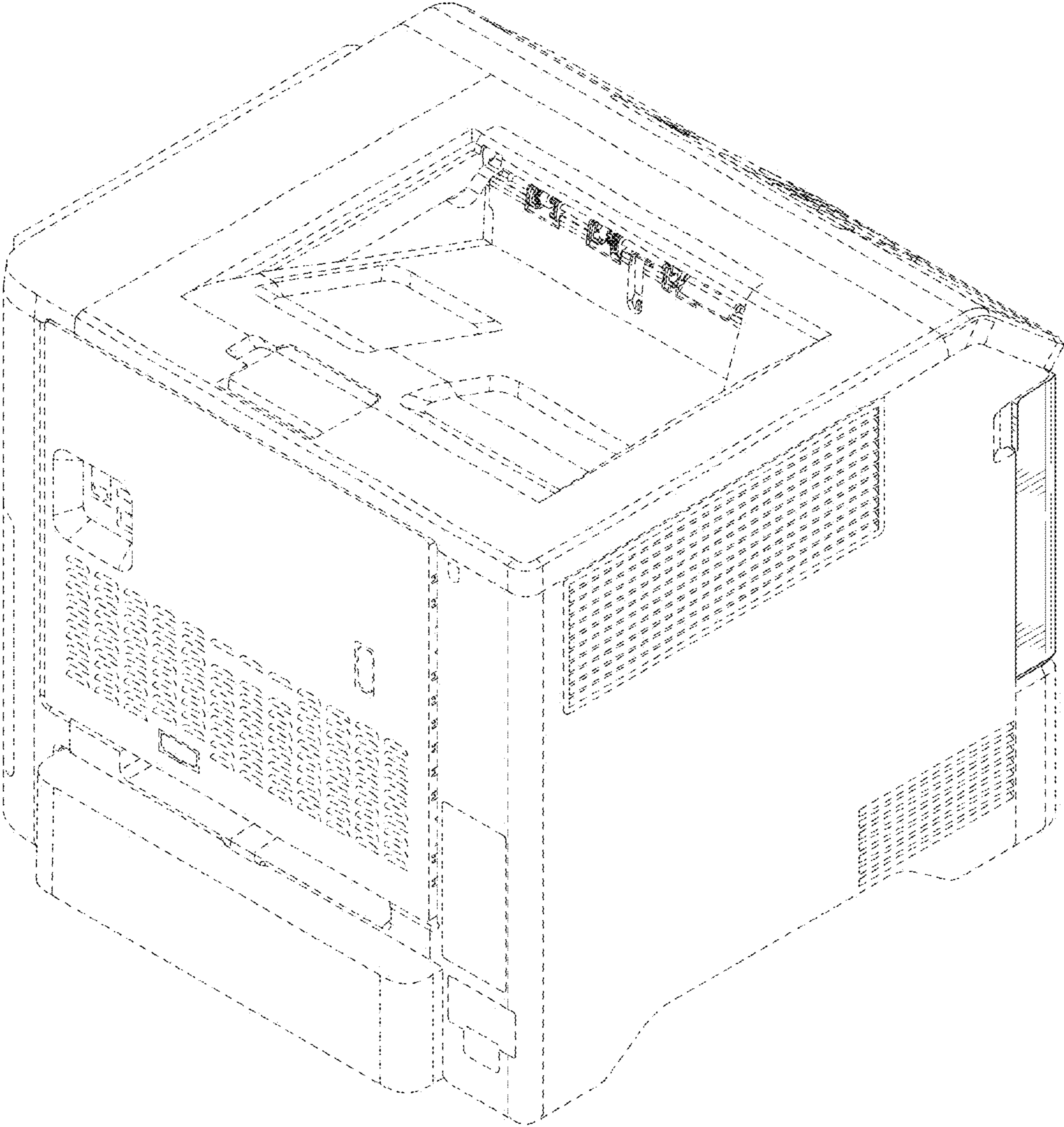


FIG. 2

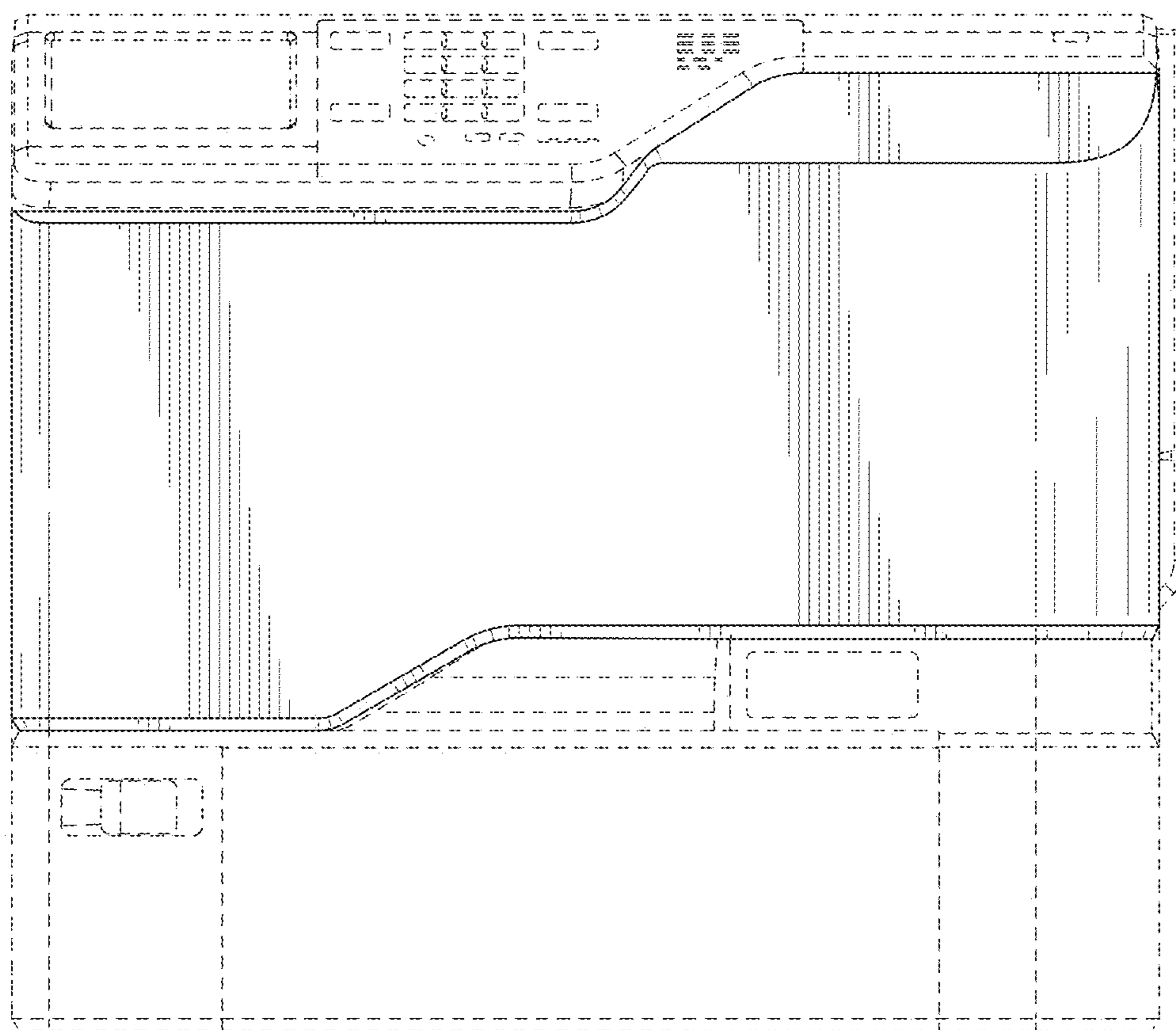


FIG. 3

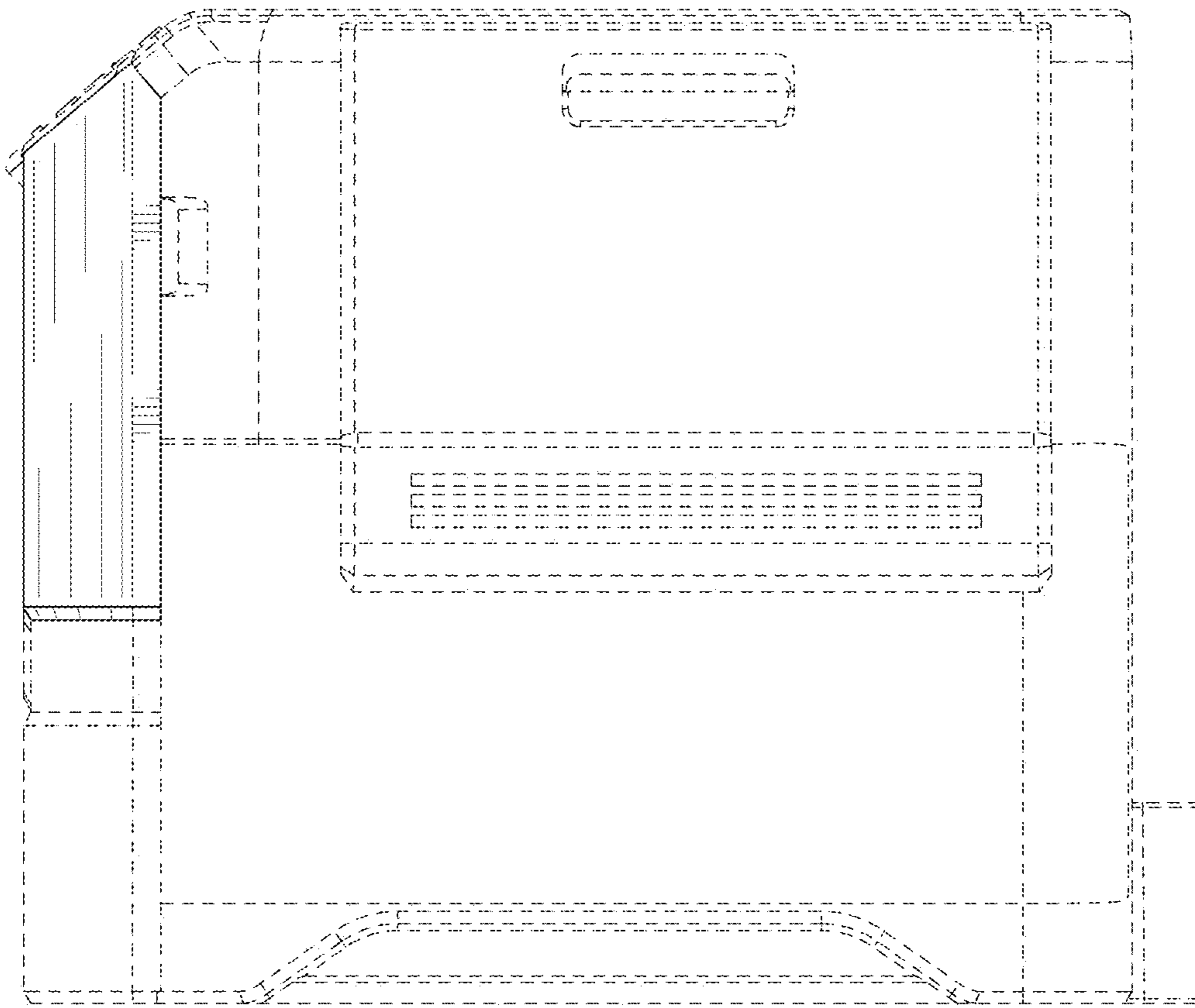


FIG. 4

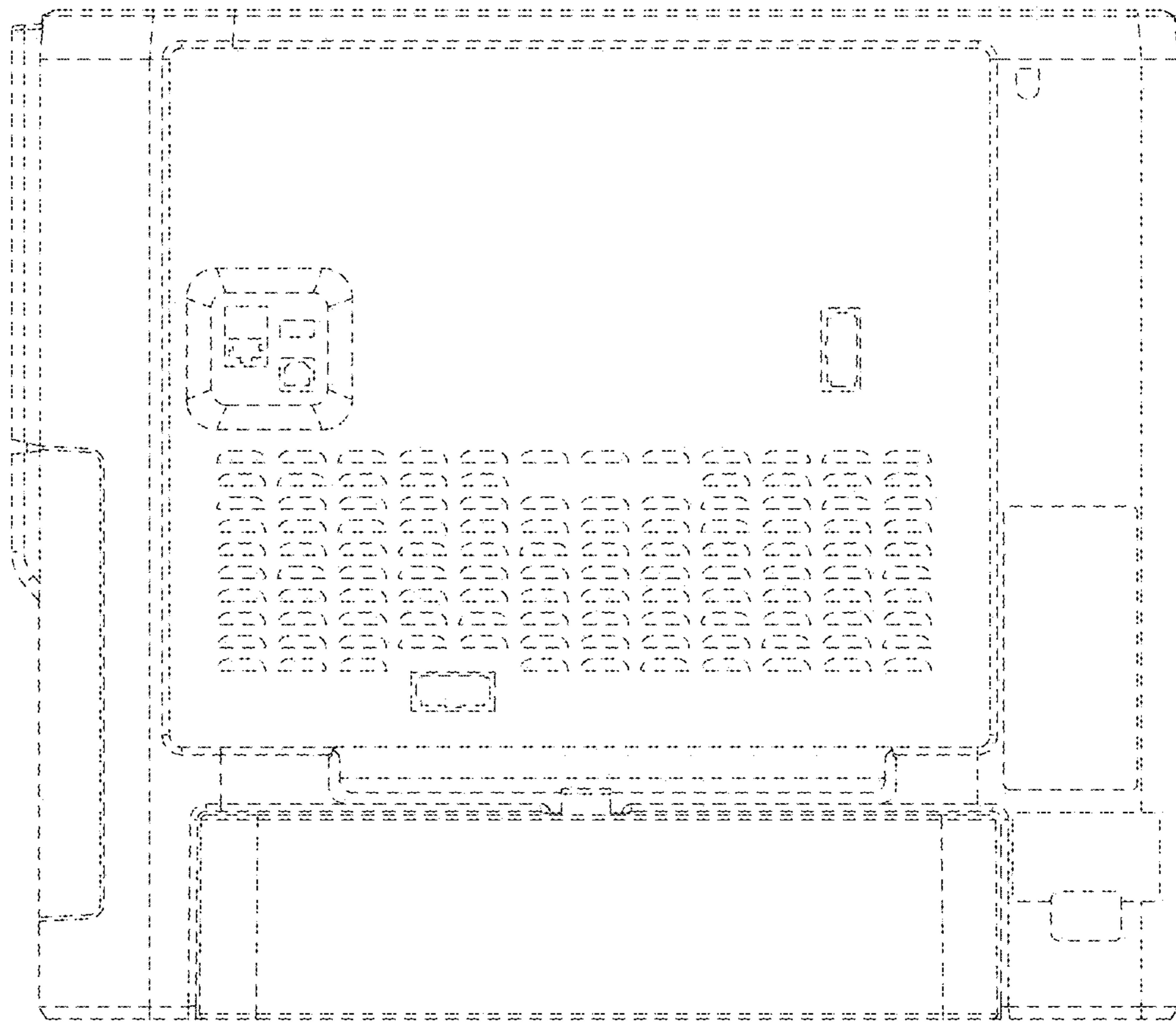


FIG. 5

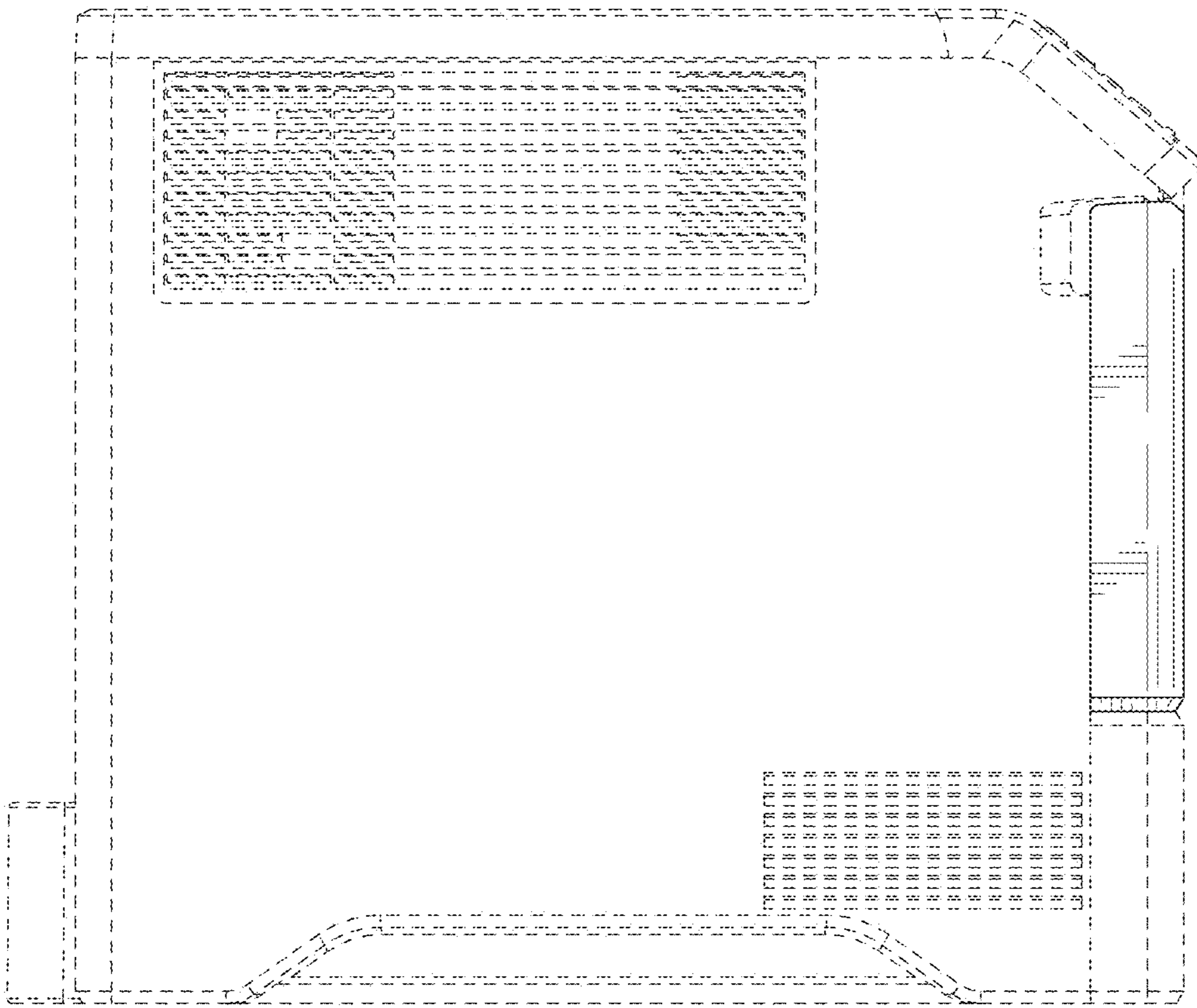


FIG. 6



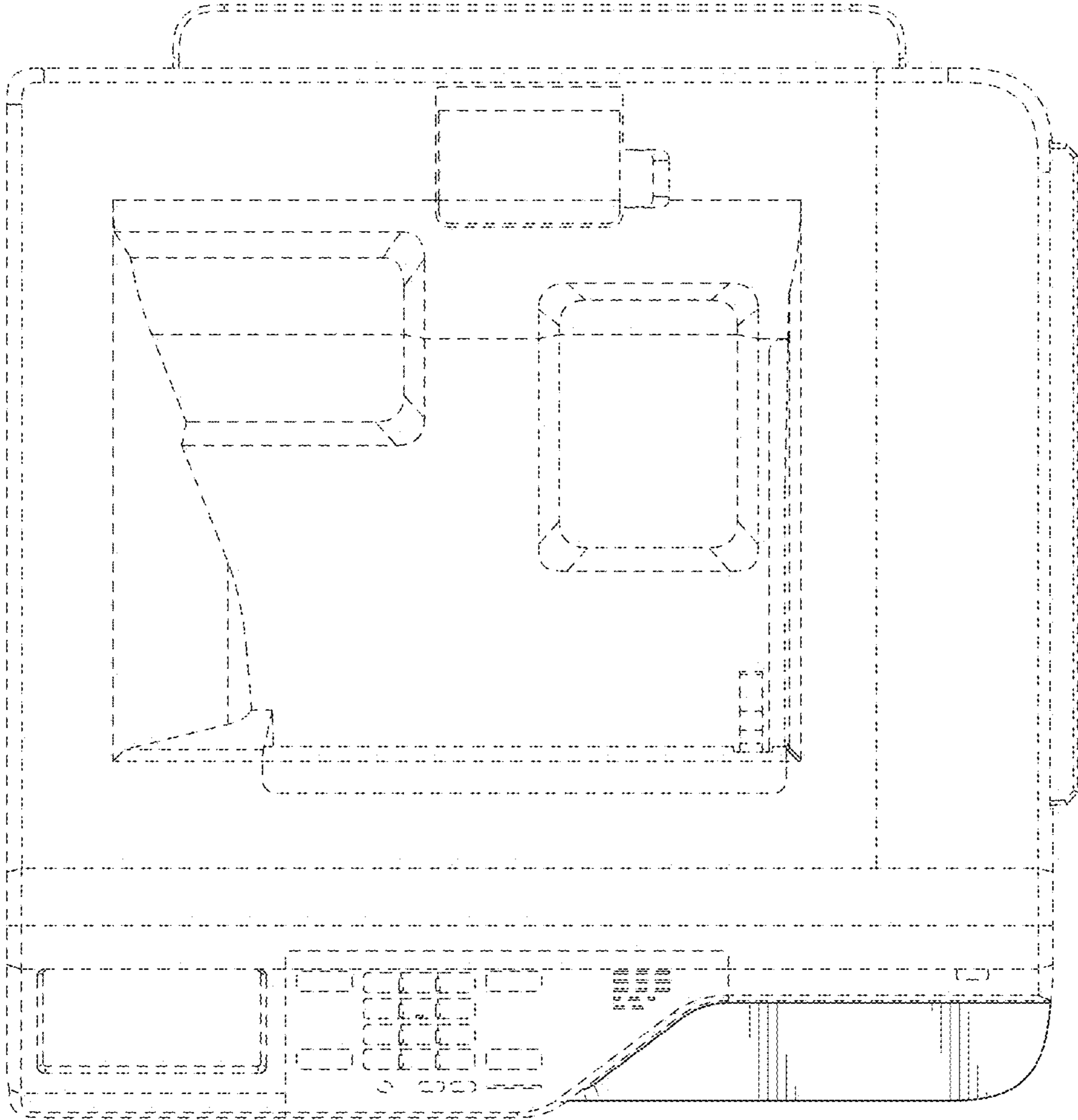


FIG. 7