



US00D867444S

(12) **United States Design Patent**
Sheng et al.

(10) **Patent No.:** **US D867,444 S**

(45) **Date of Patent:** **** Nov. 19, 2019**

(54) **PORTION OF MULTI-FUNCTION PRINTER**

(71) Applicant: **AVISION INC.**, Hsinchu (TW)

(72) Inventors: **Shao-Lan Sheng**, Hsinchu (TW);
Chao-Yu Peng, Hsinchu (TW)

(73) Assignee: **AVISION INC.**, Hsinchu (TW)

(**) Term: **15 Years**

(21) Appl. No.: **29/665,250**

(22) Filed: **Oct. 1, 2018**

(30) **Foreign Application Priority Data**

Sep. 7, 2018 (TW) 107305332

(51) **LOC (12) Cl.** **14-02**

(52) **U.S. Cl.**
USPC **D18/55**; D18/50

(58) **Field of Classification Search**
USPC D18/36, 37, 38, 39, 40, 41, 45, 55, 50,
D18/53, 54, 56, 59; D14/301, 307, 121
CPC H04N 1/00204; H04N 1/00249; H04N
1/00278; G06K 15/12; G06K 15/14; B41J
3/00; B41J 3/28; B41J 3/445; B41J 3/46
See application file for complete search history.

(56) **References Cited**

U.S. PATENT DOCUMENTS

- D295,532 S * 5/1988 Kosako D18/49
- D295,757 S * 5/1988 Okuyama D18/49
- D319,465 S * 8/1991 Isomoto D18/44
- D399,869 S * 10/1998 Yoshida D18/39
- D452,700 S * 1/2002 Igarashi D18/44
- 6,563,525 B2 * 5/2003 Suzuki B41J 2/325
347/218
- D494,213 S * 8/2004 Wong D18/44
- D515,131 S * 2/2006 Hwang D18/36
- D552,168 S * 10/2007 Egami D18/50

- 7,395,024 B2 * 7/2008 Hoshino B41J 13/0081
399/381
- D721,131 S * 1/2015 Inada D18/50
- D722,339 S * 2/2015 Nakagawa D18/55
- D723,616 S * 3/2015 Nakagawa D18/55

FOREIGN PATENT DOCUMENTS

- JP D1490524 2/2014
- JP D1494107 9/2014
- JP D1576512 5/2017
- KR 30-0903624 5/2017

OTHER PUBLICATIONS

Avision. Link: <https://www.avision.com/motion.asp?siteid=100407&lgid=2&menuid=10075&prodid=121299&cat=9>. Visited Aug. 14, 2019. Book edge scanner. (Year: 2019).*

* cited by examiner

Primary Examiner — Susan Bennett Hattan
Assistant Examiner — Lauren D McVey
(74) *Attorney, Agent, or Firm* — Winston Hsu

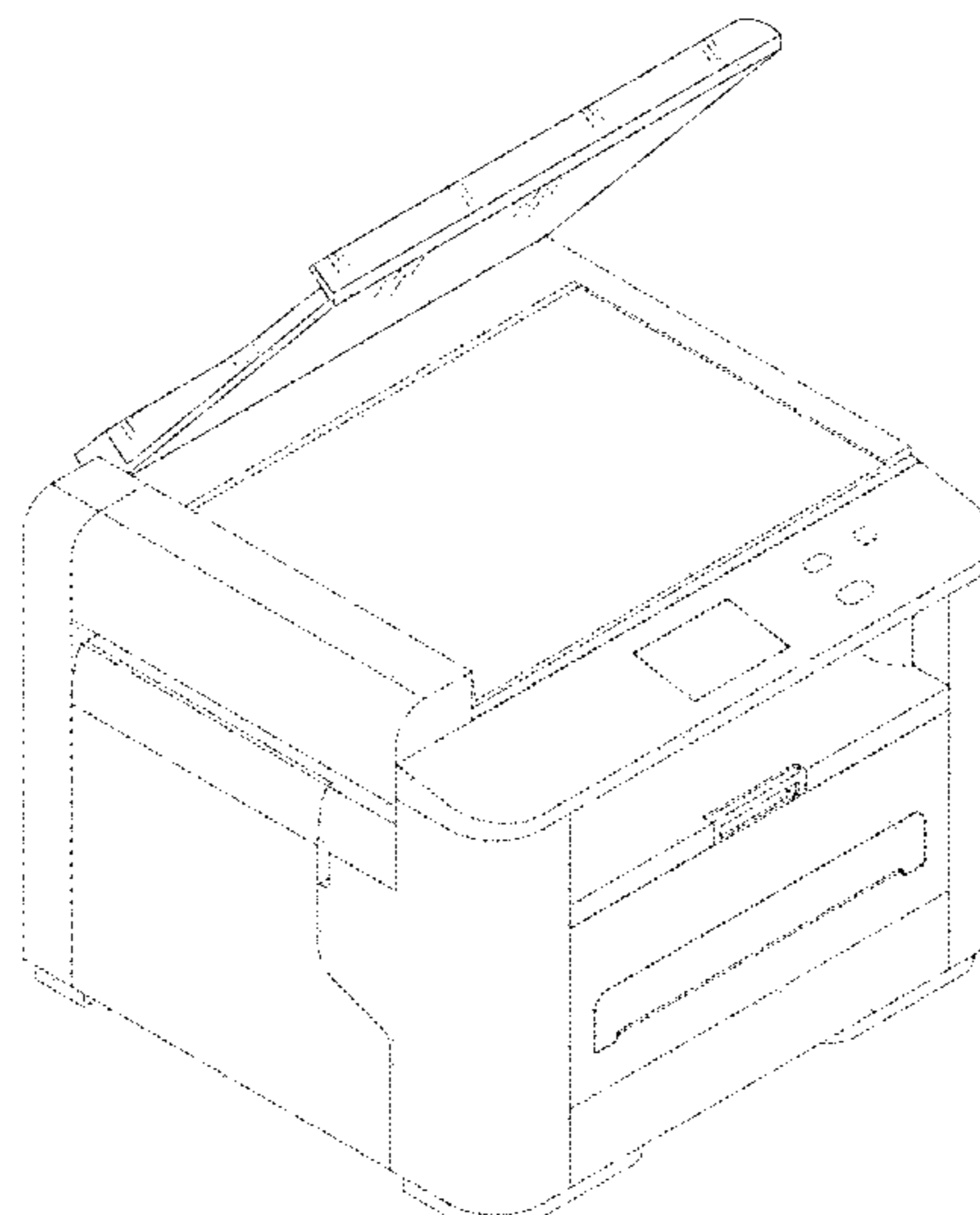
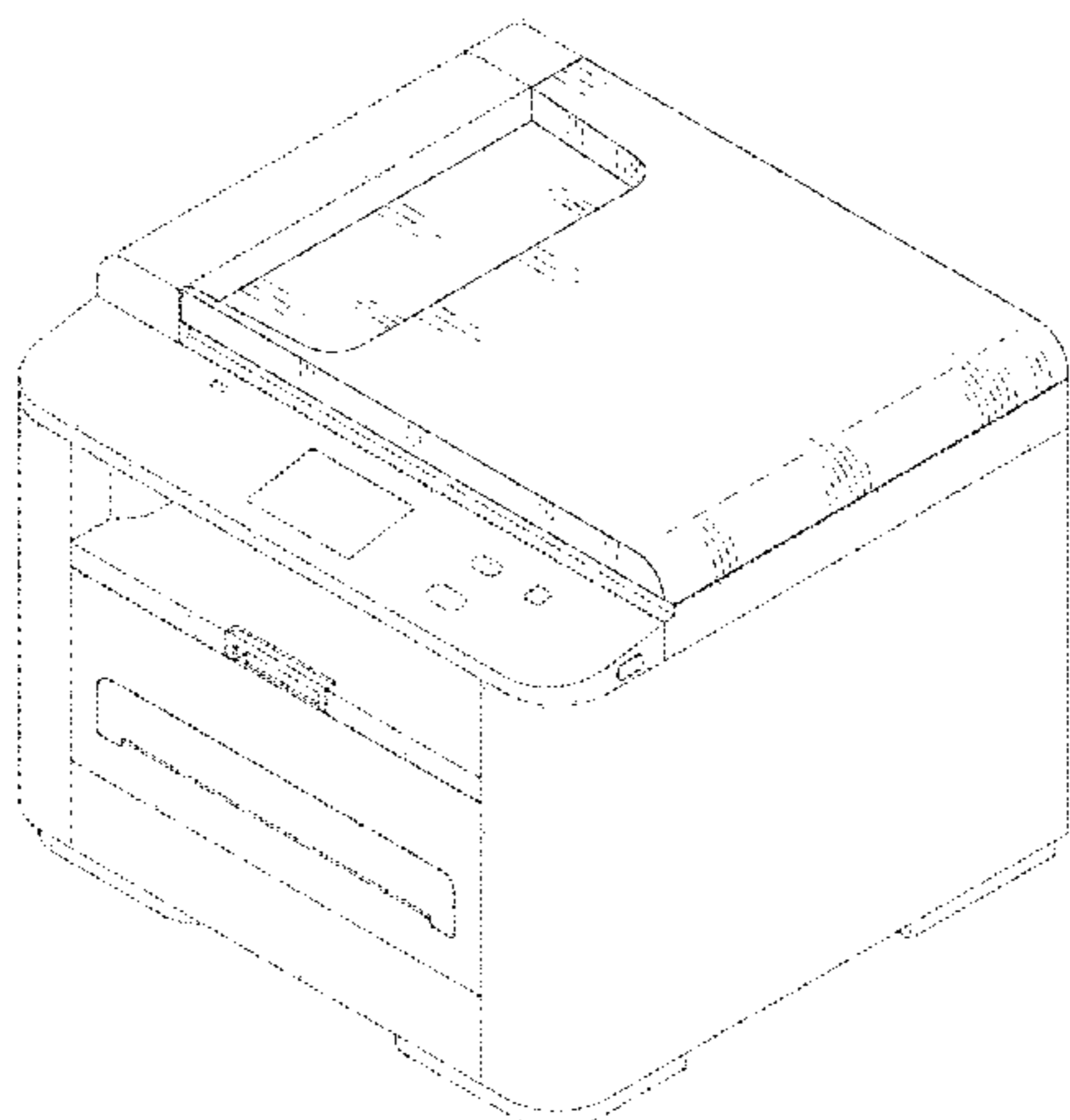
(57) **CLAIM**

The ornamental design for a portion of multi-function printer, as shown and described.

DESCRIPTION

FIG. 1 is a front, top, and right side perspective view of a portion of multi-function printer showing our new design; FIG. 2 is a rear, top, and right side perspective view thereof; FIG. 3 is a front elevation view thereof; FIG. 4 is a rear elevation view thereof; FIG. 5 is a right side elevation view thereof; FIG. 6 is a top plan view thereof; and, FIG. 7 is a front, top, and left side perspective view of the portion of the multi-function printer in an open state. The broken lines depict parts of the portion of multi-function printer that form no part of the claimed design.

1 Claim, 7 Drawing Sheets



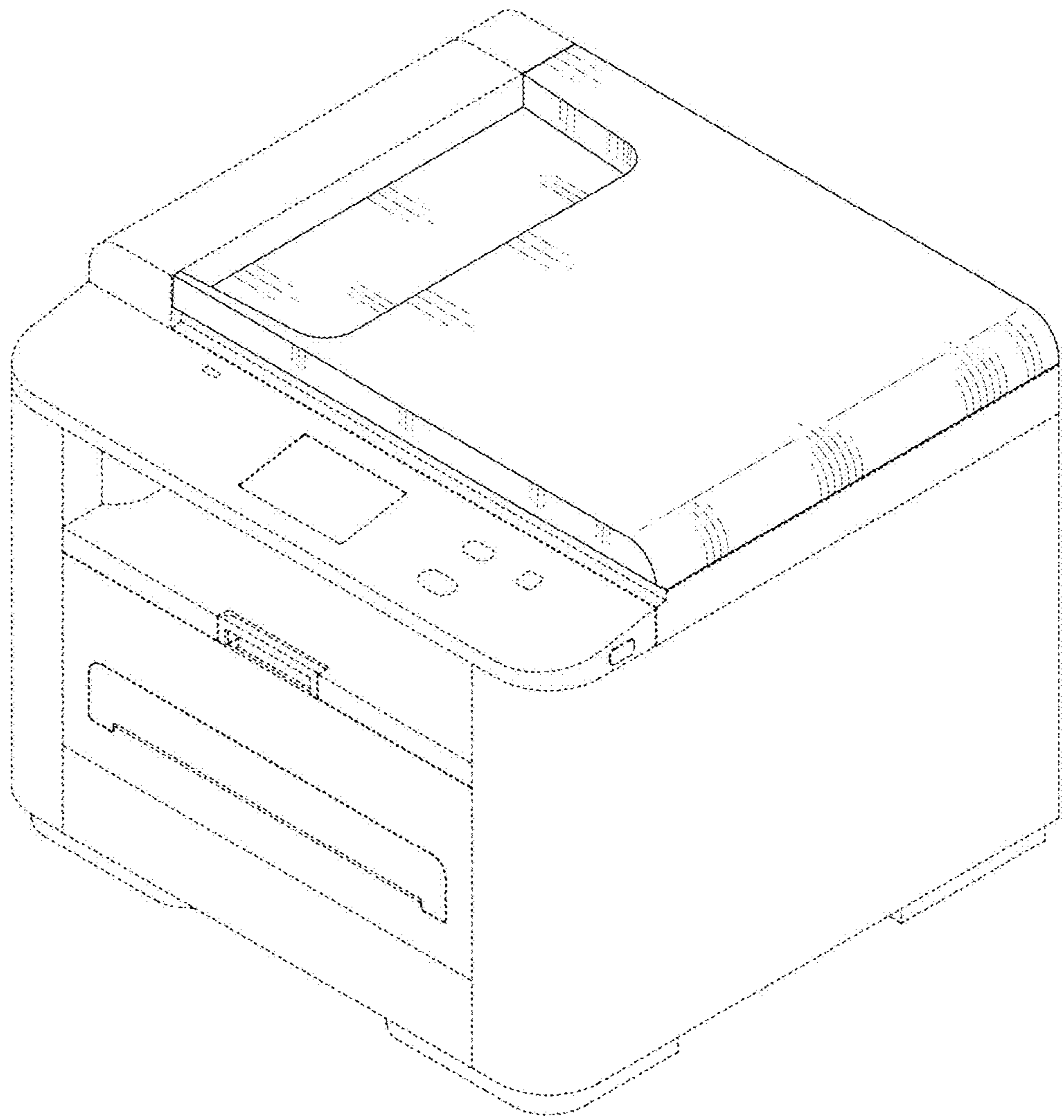


FIG. 1

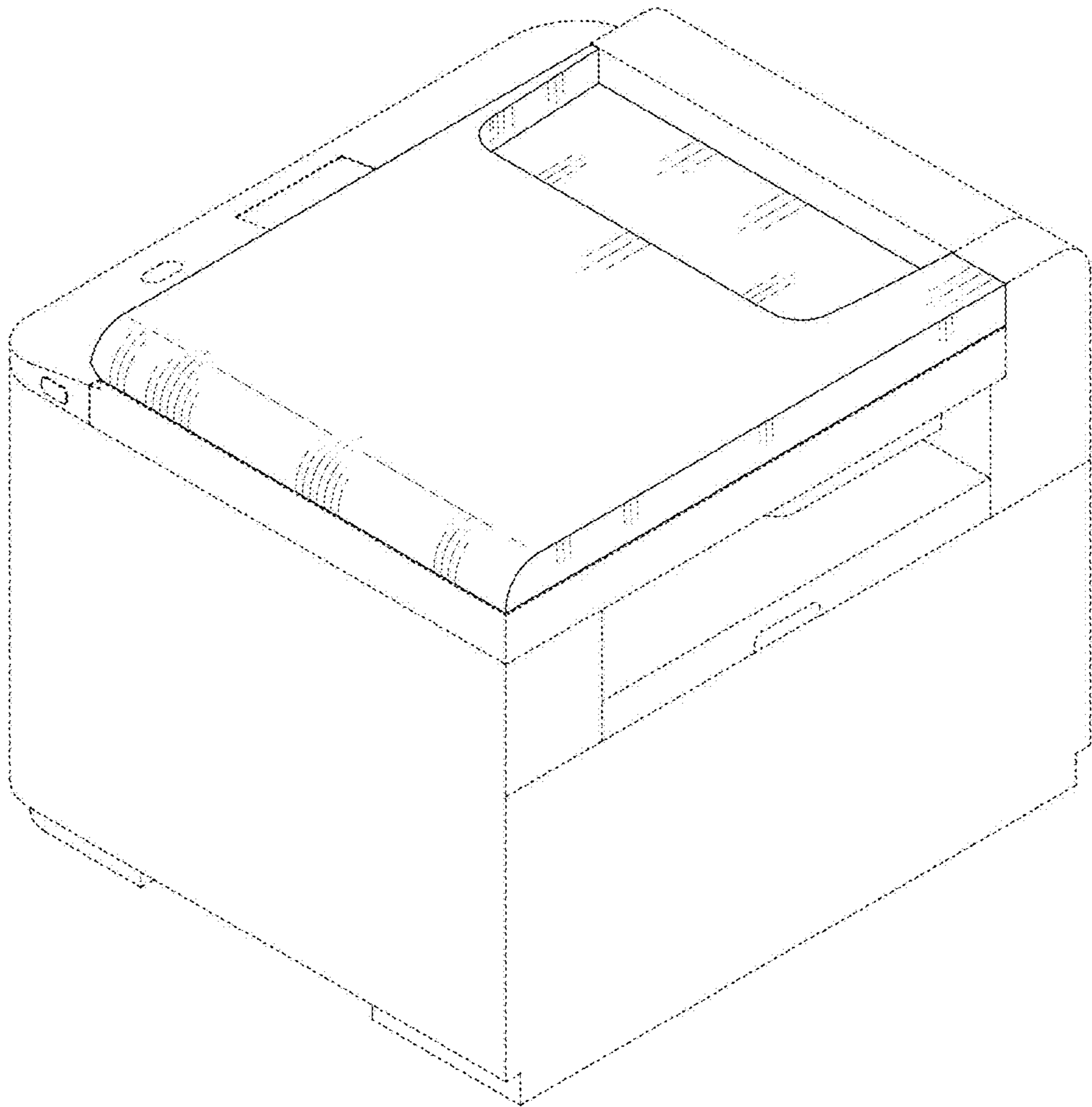


FIG. 2

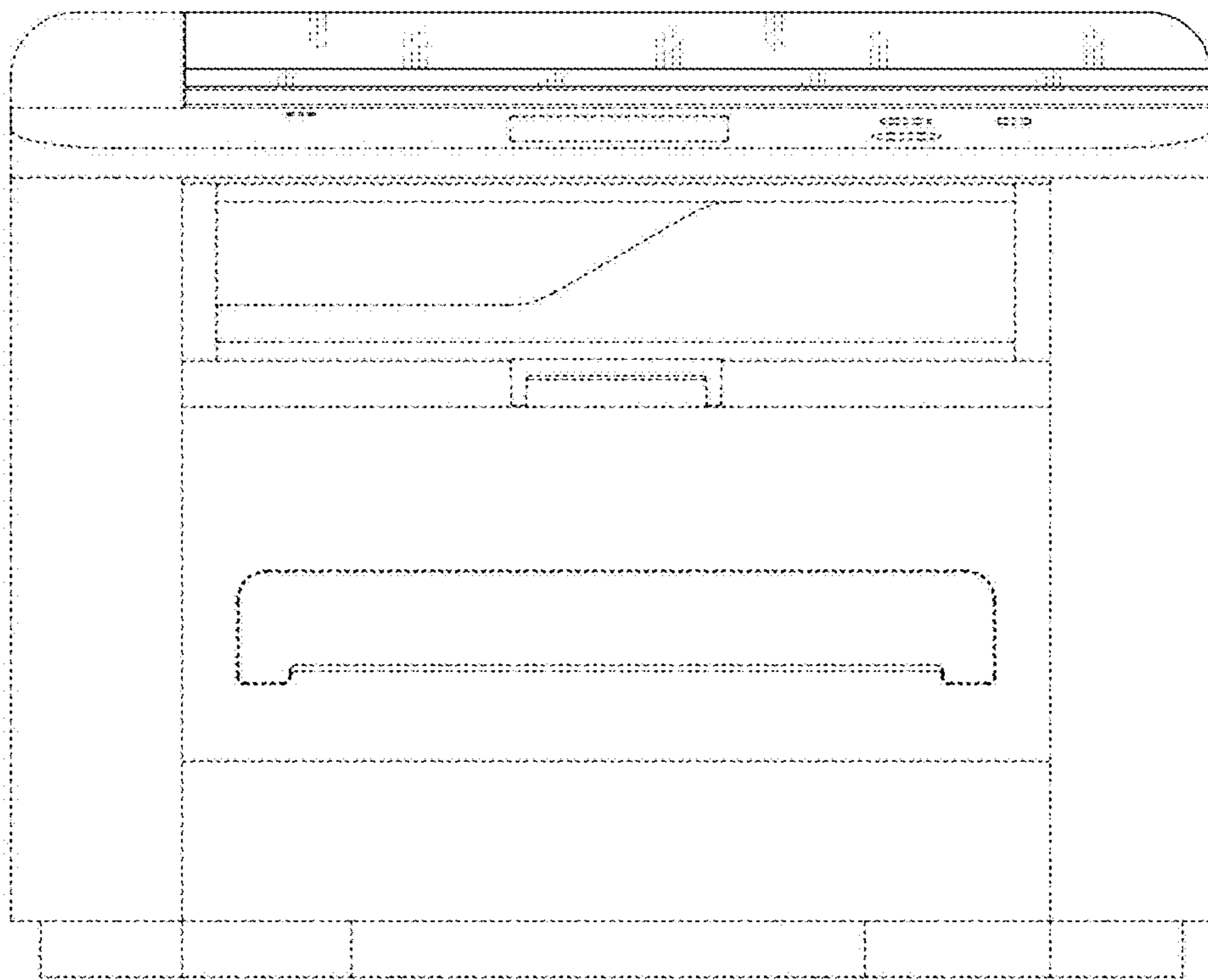


FIG. 3

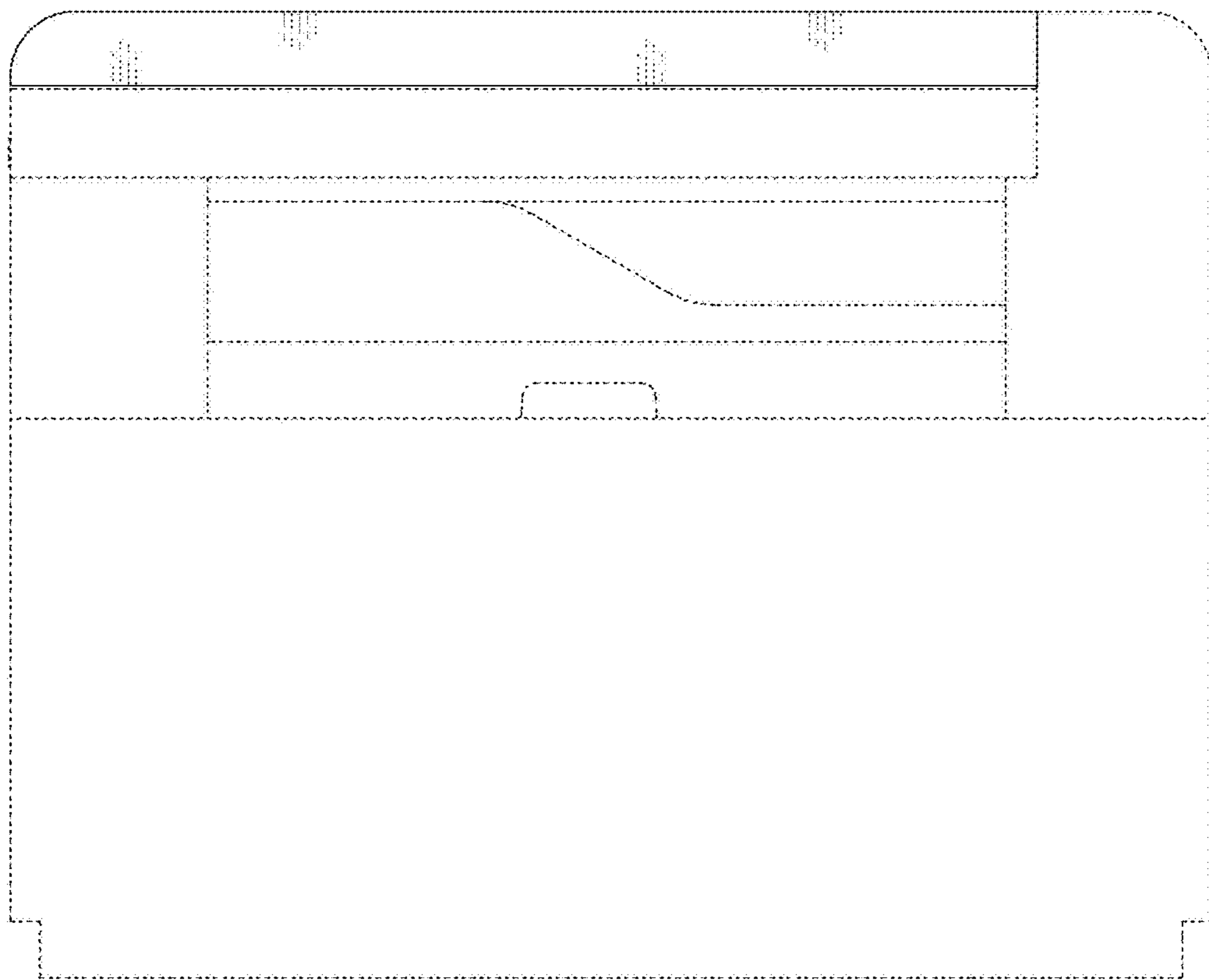


FIG. 4

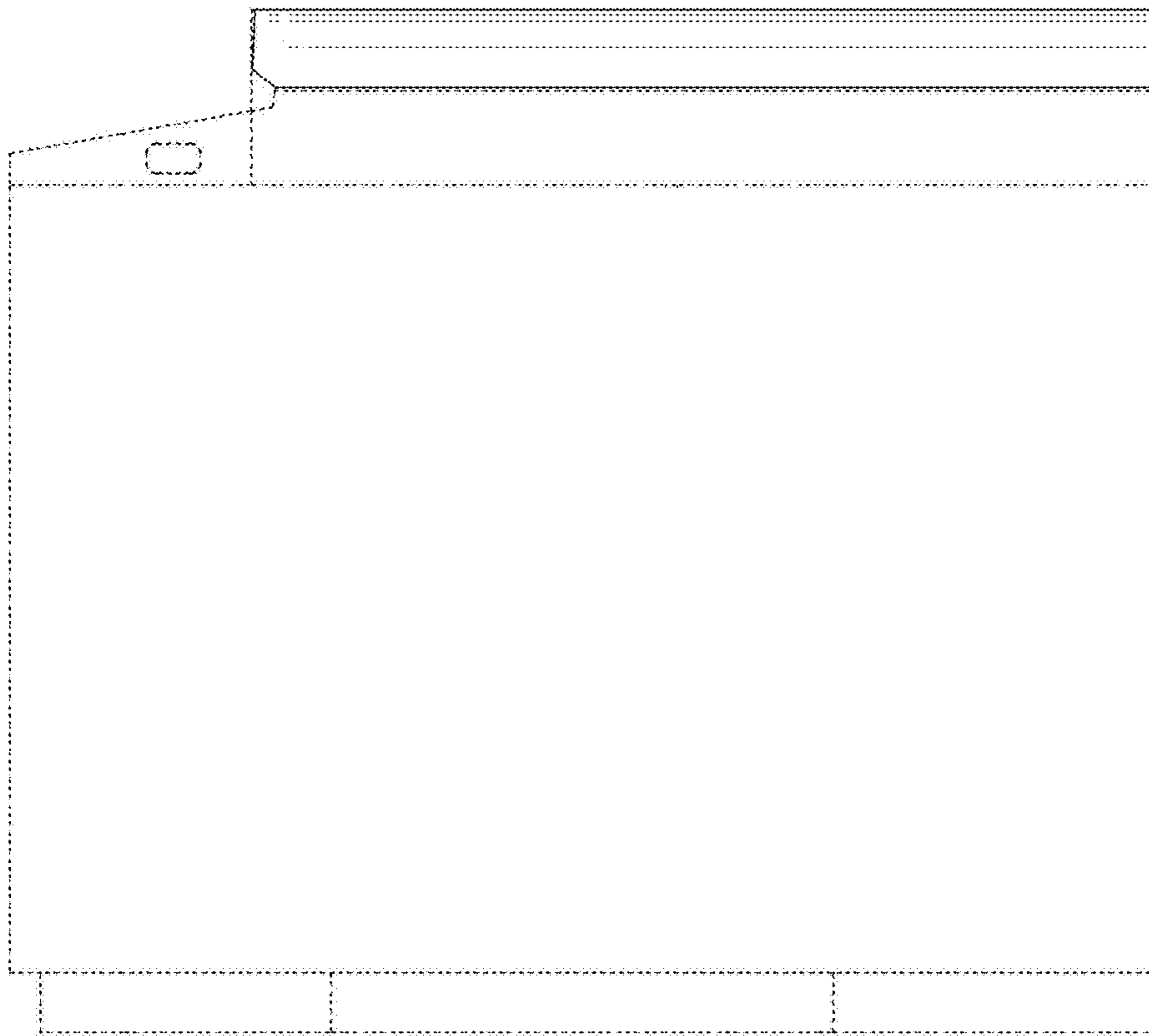


FIG. 5

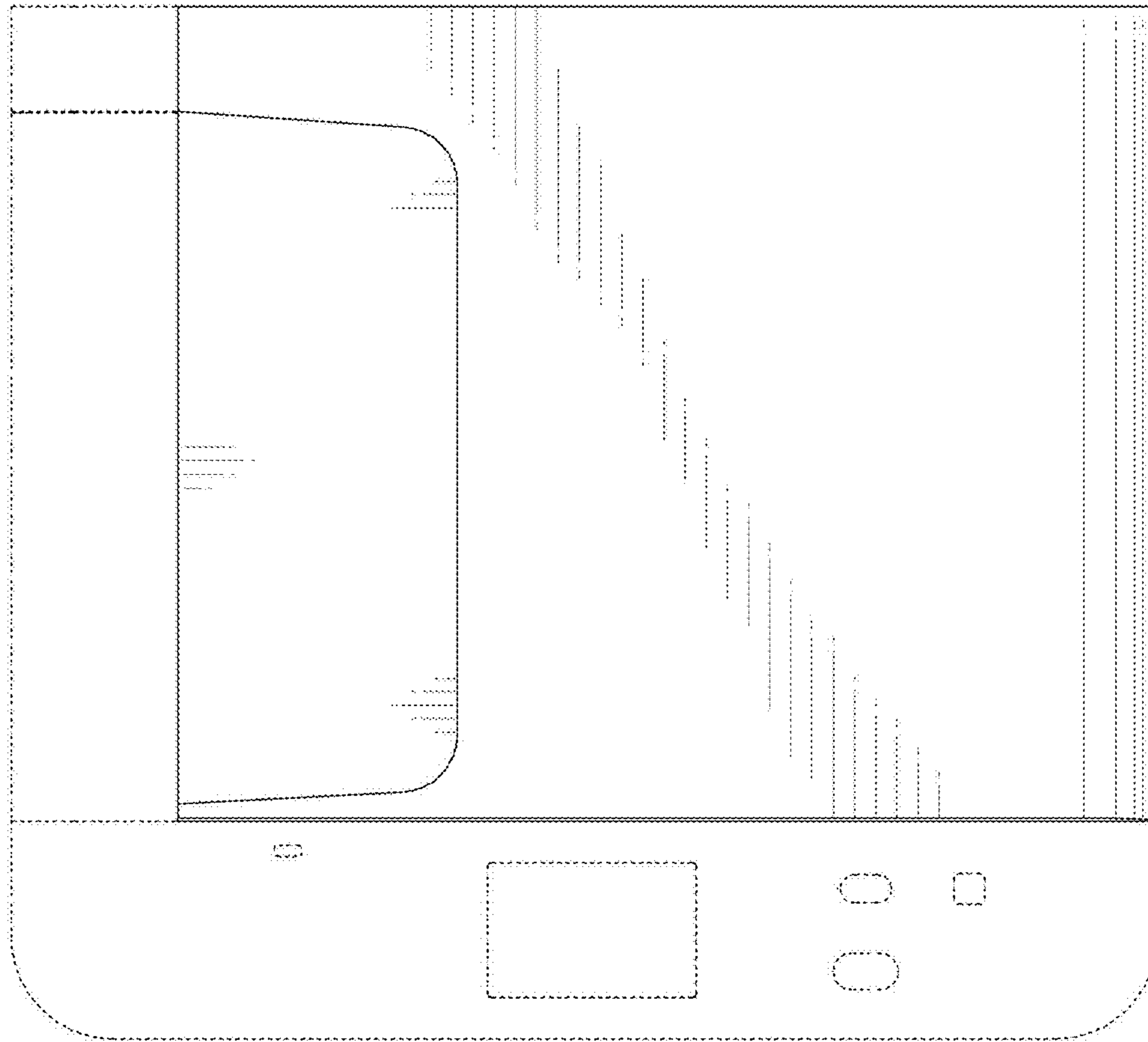


FIG. 6

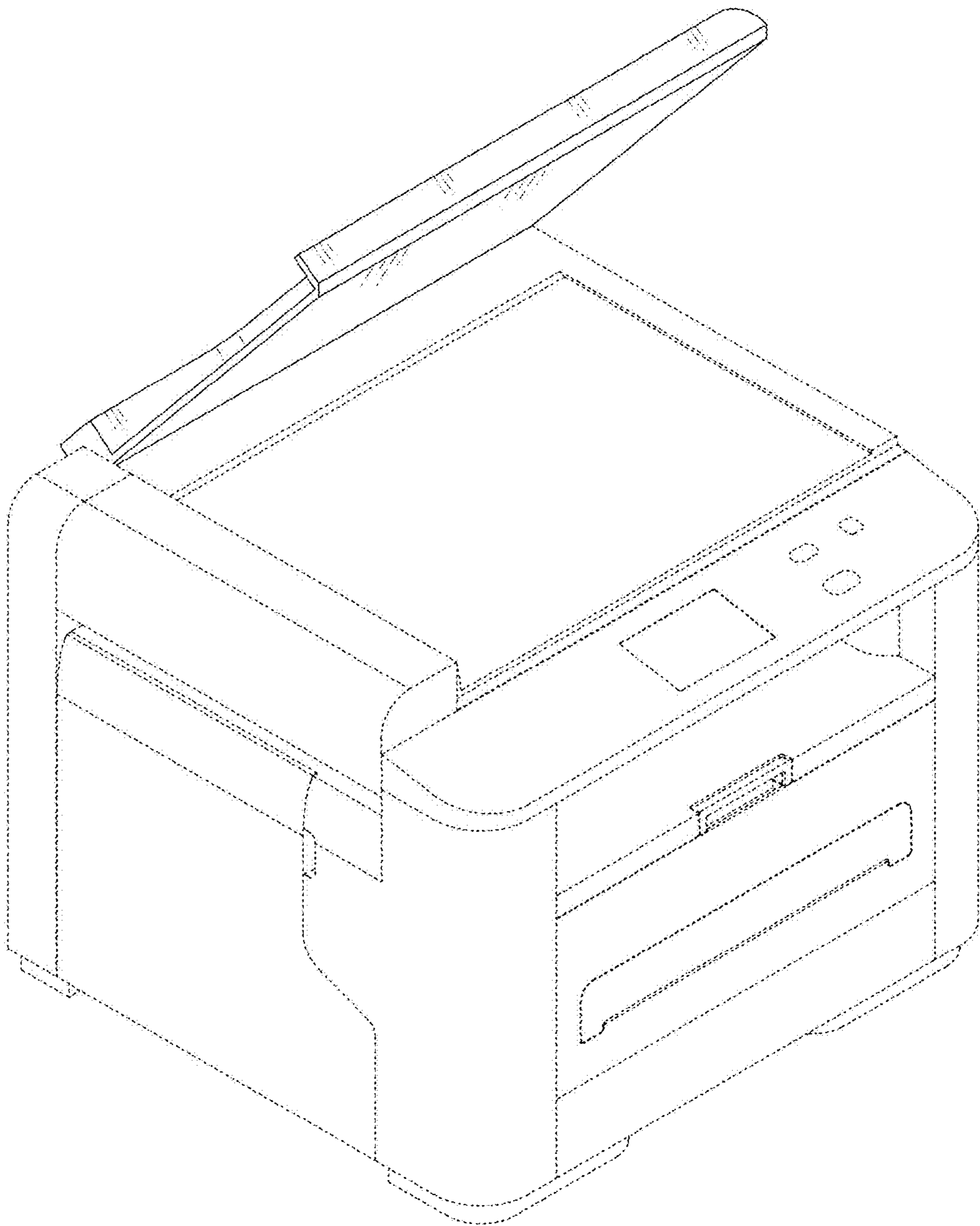


FIG. 7