



US00D867443S

(12) **United States Design Patent**  
**Sheng et al.**

(10) **Patent No.:** **US D867,443 S**

(45) **Date of Patent:** **\*\* Nov. 19, 2019**

(54) **PORTION OF MULTI-FUNCTION PRINTER**

(71) Applicant: **AVISION INC.**, Hsinchu (TW)

(72) Inventors: **Shao-Lan Sheng**, Hsinchu (TW);  
**Chao-Yu Peng**, Hsinchu (TW)

(73) Assignee: **AVISION INC.**, Hsinchu (TW)

(\*\*) Term: **15 Years**

(21) Appl. No.: **29/665,494**

(22) Filed: **Oct. 3, 2018**

(30) **Foreign Application Priority Data**

Sep. 7, 2018 (TW) ..... 107305340

(51) **LOC (12) Cl.** ..... **16-03**

(52) **U.S. Cl.**  
USPC ..... **D18/40**

(58) **Field of Classification Search**  
USPC ..... D18/36, 37, 38, 39, 40, 41, 45, 55, 50,  
D18/53, 54, 56, 59; D14/301, 307, 121  
CPC ..... H04N 1/00204; H04N 1/00249; H04N  
1/00278; G06K 15/12; G06K 15/14; B41J  
3/00; B41J 3/28; B41J 3/445; B41J 3/46  
See application file for complete search history.

(56) **References Cited**

**U.S. PATENT DOCUMENTS**

- D186,474 S \* 10/1959 Robbins ..... D18/39
- 3,891,203 A \* 6/1975 Schiff ..... B65C 1/02  
271/4.06
- D295,757 S \* 5/1988 Okuyama ..... D18/49
- 5,255,987 A \* 10/1993 Mizuno ..... B41J 11/008  
400/279
- D357,273 S \* 4/1995 Hocking ..... D18/49
- 5,412,490 A \* 5/1995 Kojima ..... B41J 11/48  
358/473
- D375,118 S \* 10/1996 Ishikawa ..... D18/40

- D423,565 S \* 4/2000 Ison ..... D18/56
  - D534,578 S \* 1/2007 Katayama ..... D18/36
  - D539,283 S \* 3/2007 McIntyre ..... D14/421
- (Continued)

**FOREIGN PATENT DOCUMENTS**

- DE 4317392 A1 \* 12/1993 ..... B41J 2/45
  - EP 2147790 A1 \* 1/2010 ..... B41J 3/28
- (Continued)

**OTHER PUBLICATIONS**

Precision Roller. Link: [https://www.precisionroller.com/cf288-60029-for-hp/details\\_pn\\_80342.html?src=gbps&gclid=EAlalQobChMtpTd3bqC5AIV0P\\_jBx2ABgDtEAQYAyABEgIvN\\_D\\_BwE](https://www.precisionroller.com/cf288-60029-for-hp/details_pn_80342.html?src=gbps&gclid=EAlalQobChMtpTd3bqC5AIV0P_jBx2ABgDtEAQYAyABEgIvN_D_BwE). Visited Aug. 14, 2019. Genuine HP CF288-60029 CF288-60011) Document Feeder Assembly. (Year: 2019).\*

*Primary Examiner* — Susan Bennett Hattan

*Assistant Examiner* — Lauren D McVey

(74) *Attorney, Agent, or Firm* — Winston Hsu

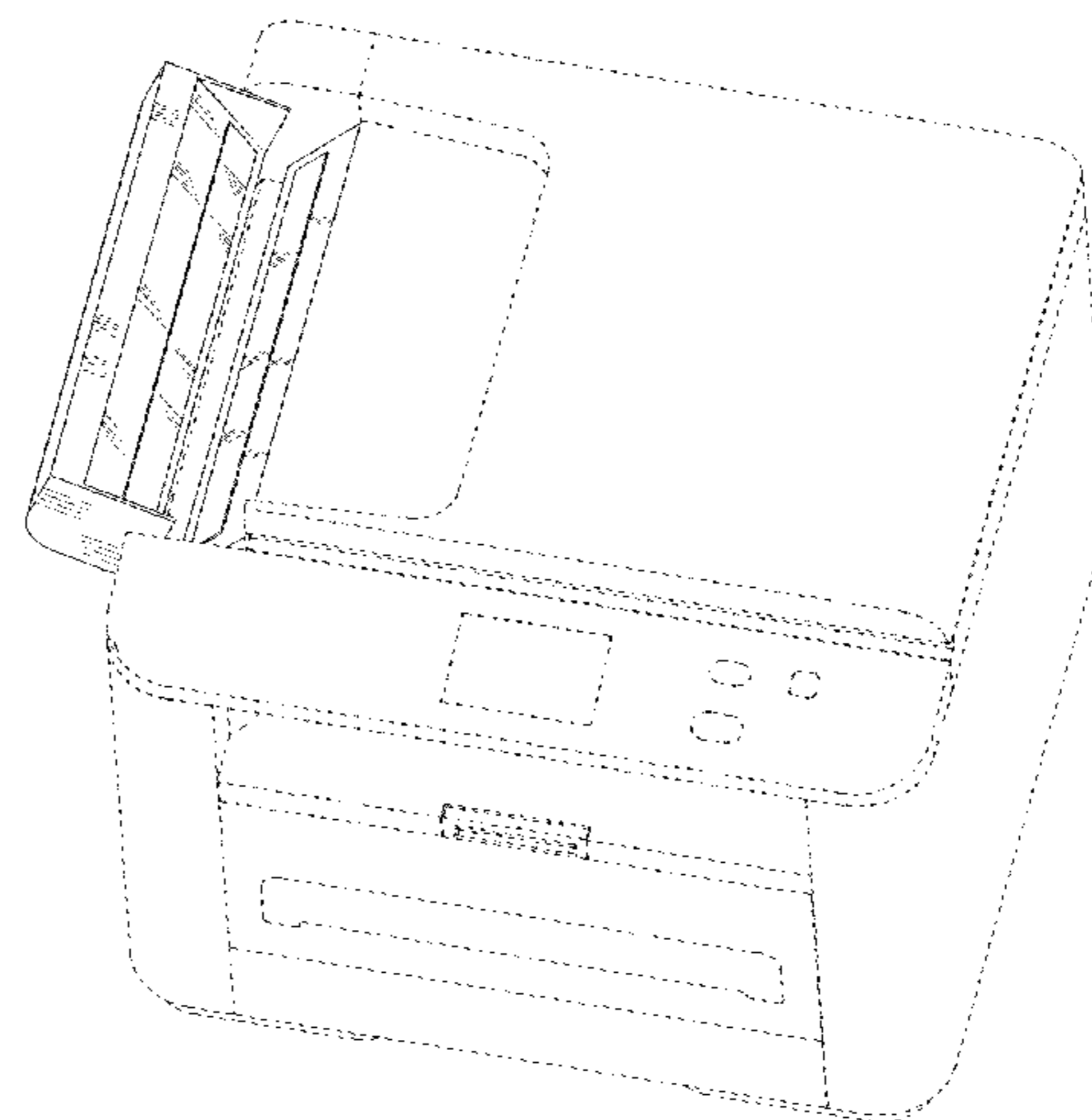
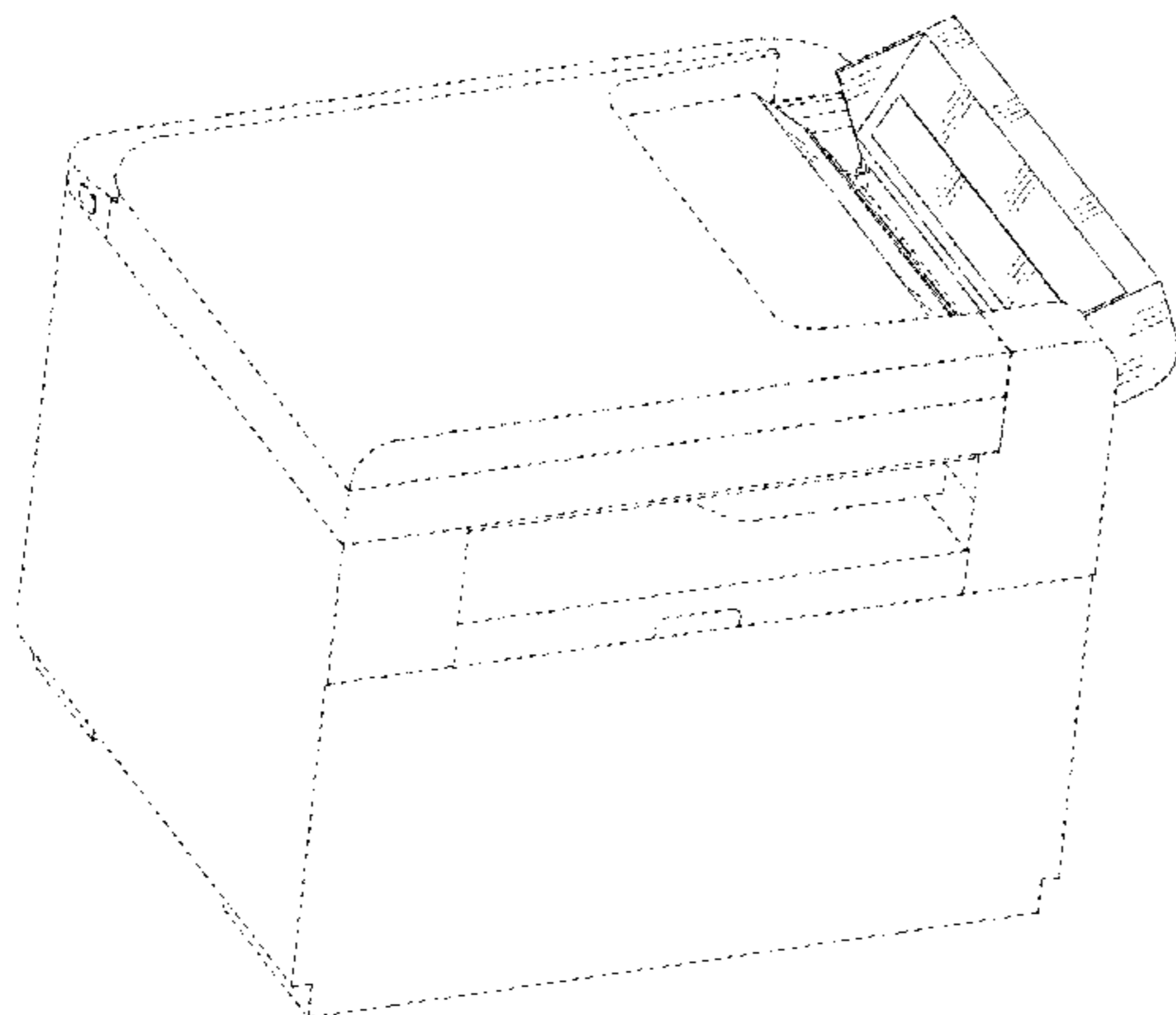
(57) **CLAIM**

The ornamental design for a portion of multi-function printer, as shown and described.

**DESCRIPTION**

FIG. 1 is a front, top, and left side perspective view of a portion of multi-function printer showing our new design; FIG. 2 is a rear, top, and right side perspective view thereof; FIG. 3 is a front, top, and right side perspective view thereof; FIG. 4 is a front elevation view thereof; FIG. 5 is a rear elevation view thereof; FIG. 6 is a left side elevation view thereof; FIG. 7 is a right side elevation view thereof; FIG. 8 is a top plan view thereof; and, FIG. 9 is a bottom plan view thereof. The broken lines depict parts of the portion of multi-function printer that form no part of the claimed design.

**1 Claim, 9 Drawing Sheets**



(56)

**References Cited**

U.S. PATENT DOCUMENTS

D703,264 S \* 4/2014 Shibuya ..... D18/50  
D823,937 S \* 7/2018 Ishida ..... D18/40  
D839,955 S \* 2/2019 Shibuya ..... D18/50

FOREIGN PATENT DOCUMENTS

EP 3196033 A1 \* 7/2017 ..... B41J 29/02  
JP D1279608 8/2006

\* cited by examiner

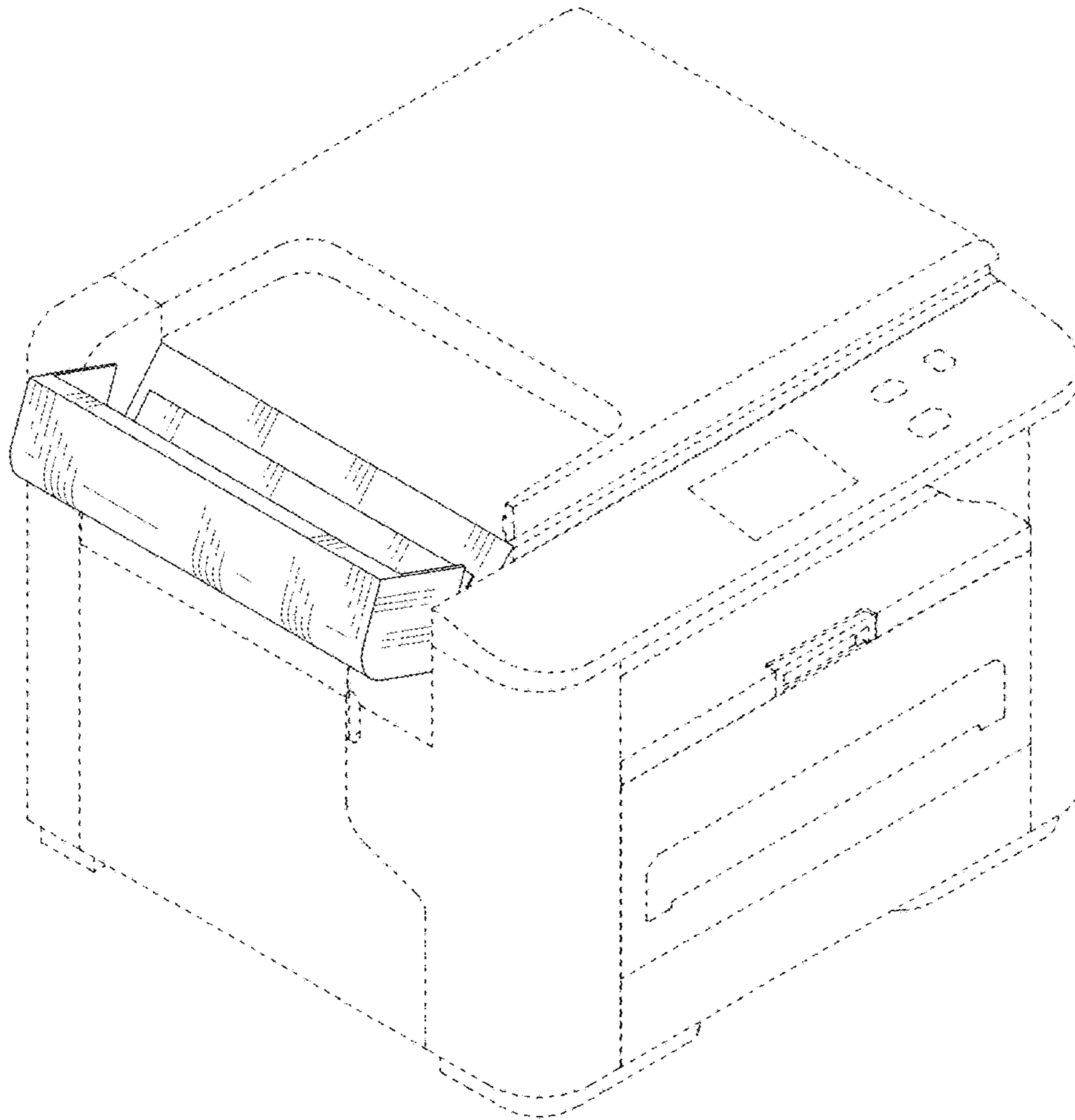


FIG. 1

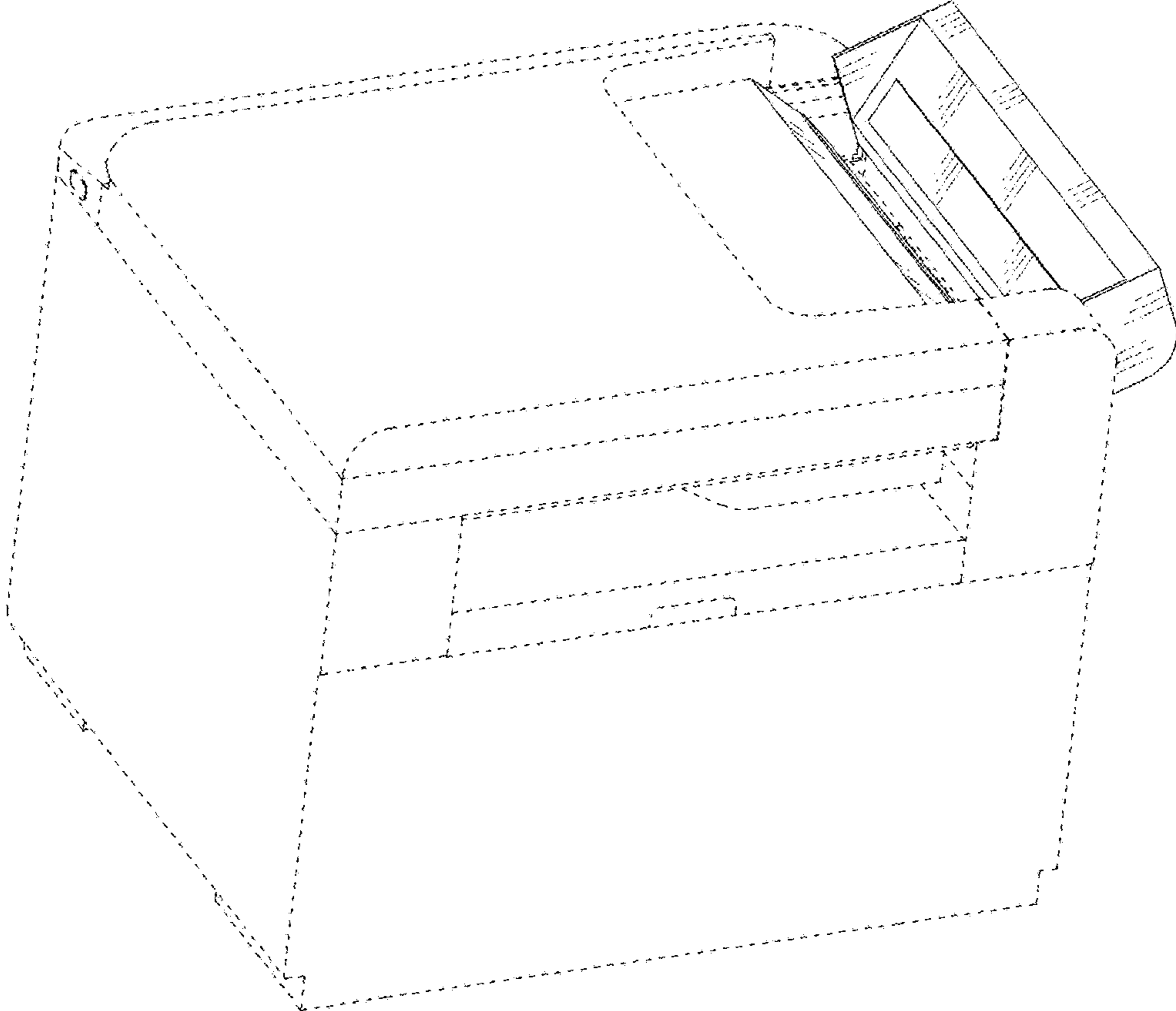


FIG. 2

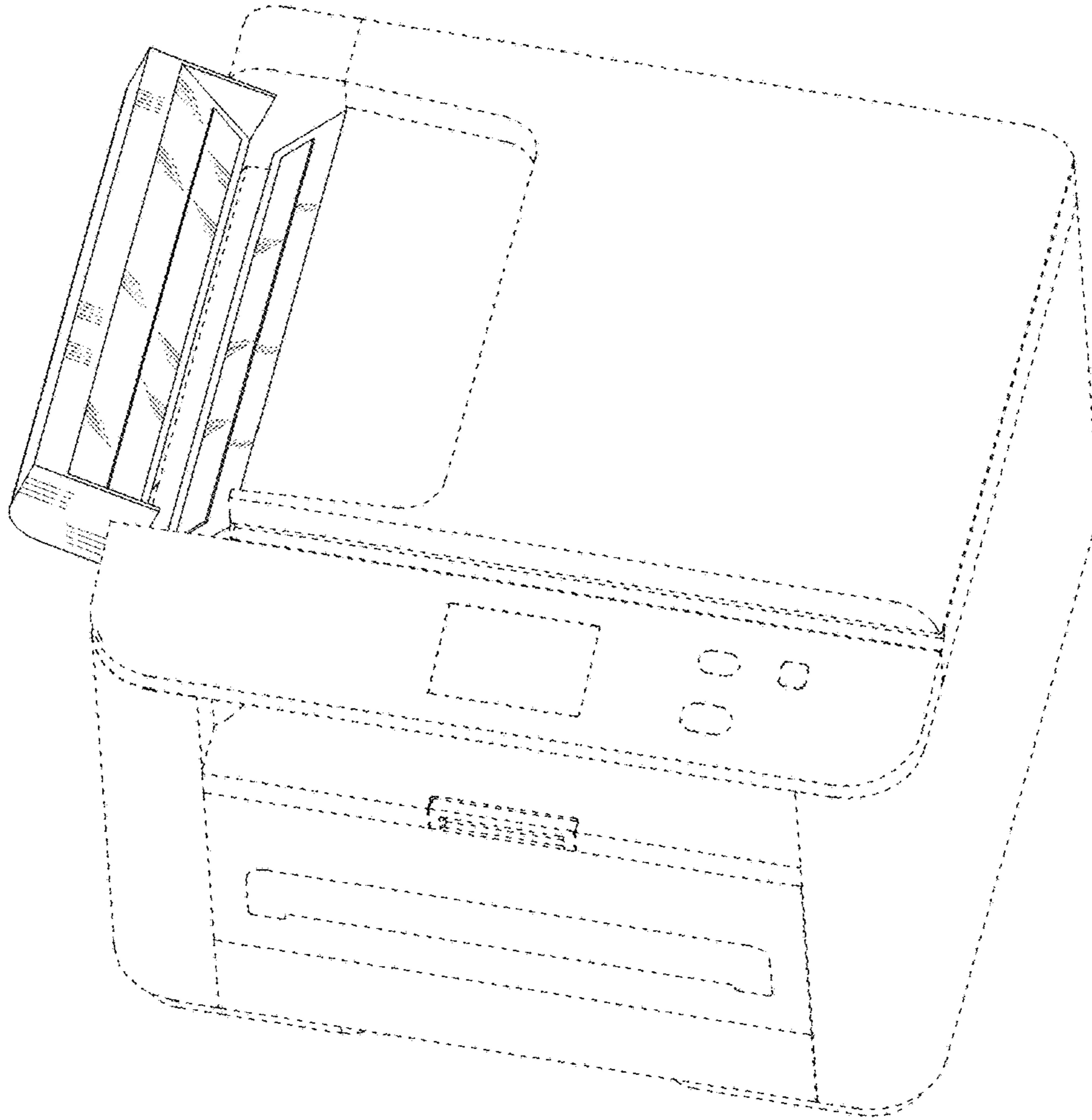


FIG. 3

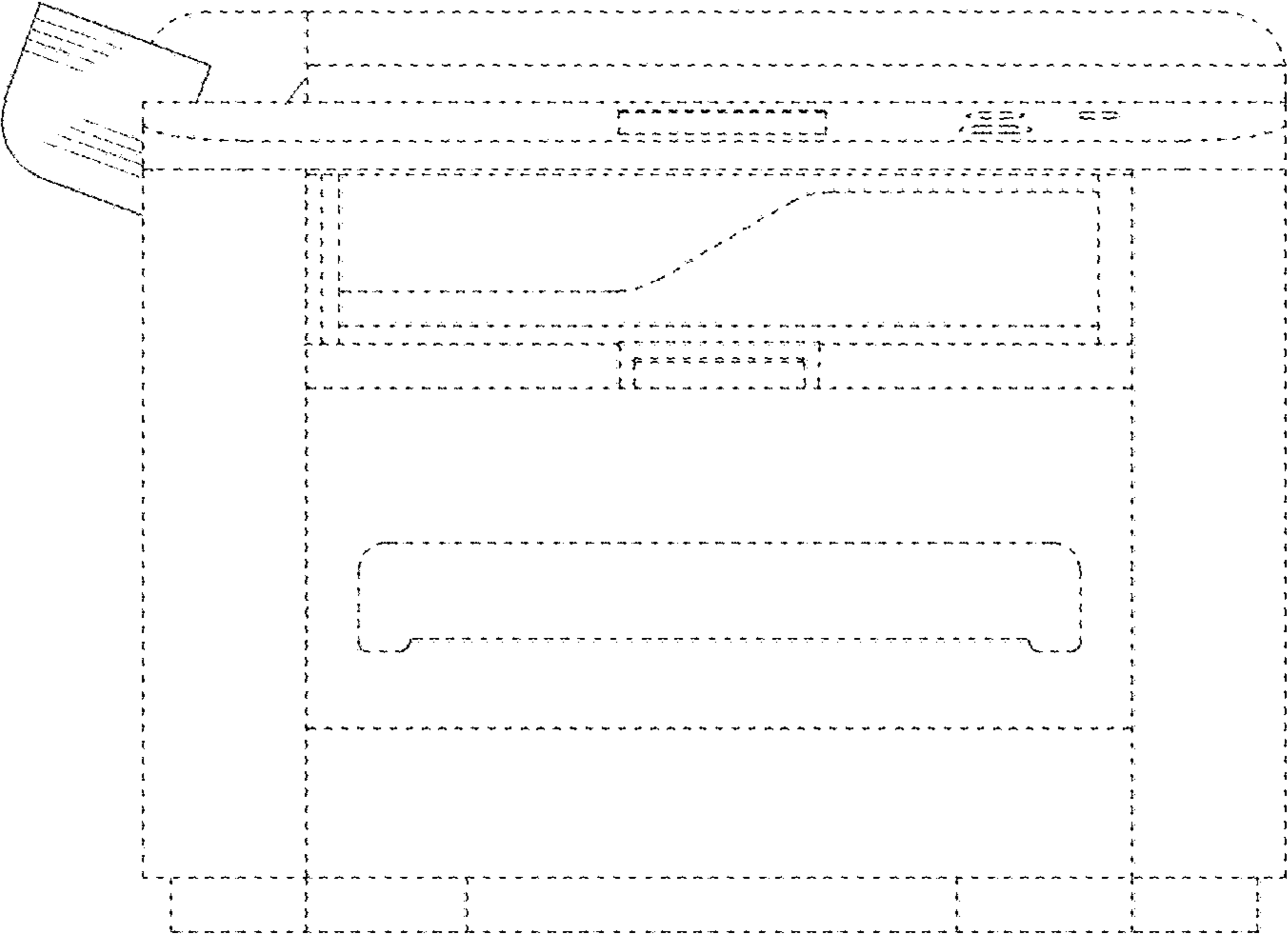


FIG. 4



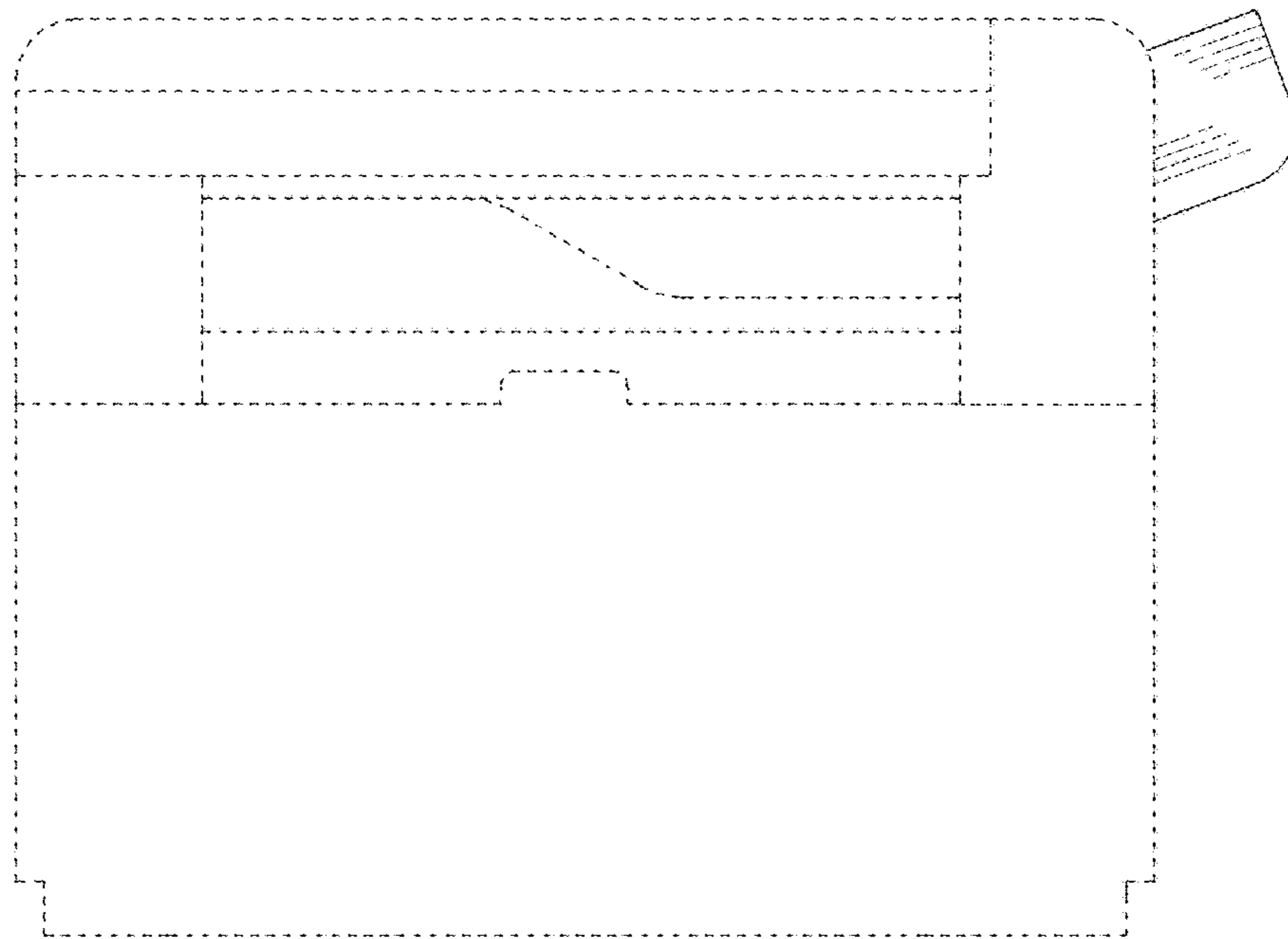


FIG. 5

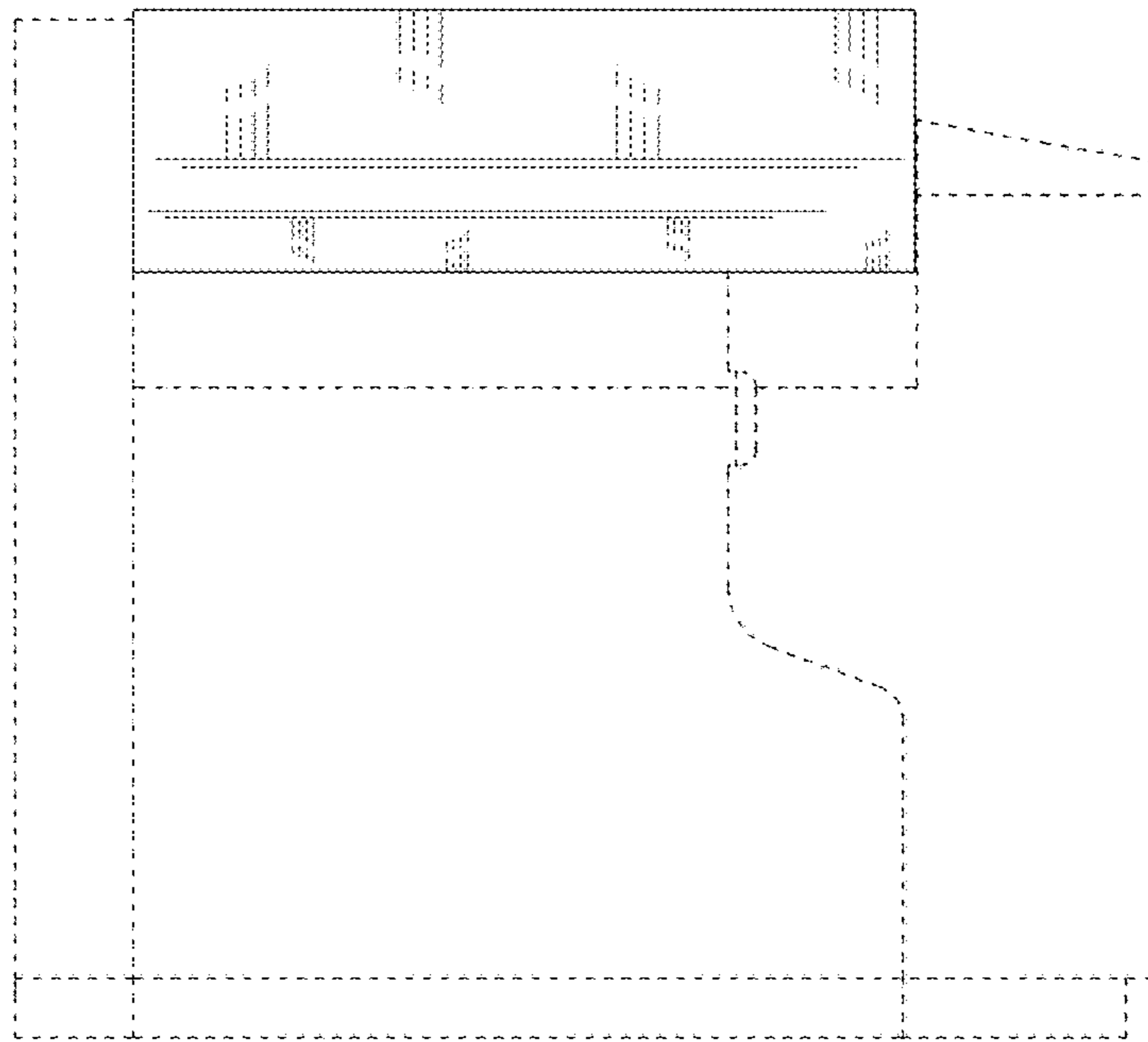


FIG. 6



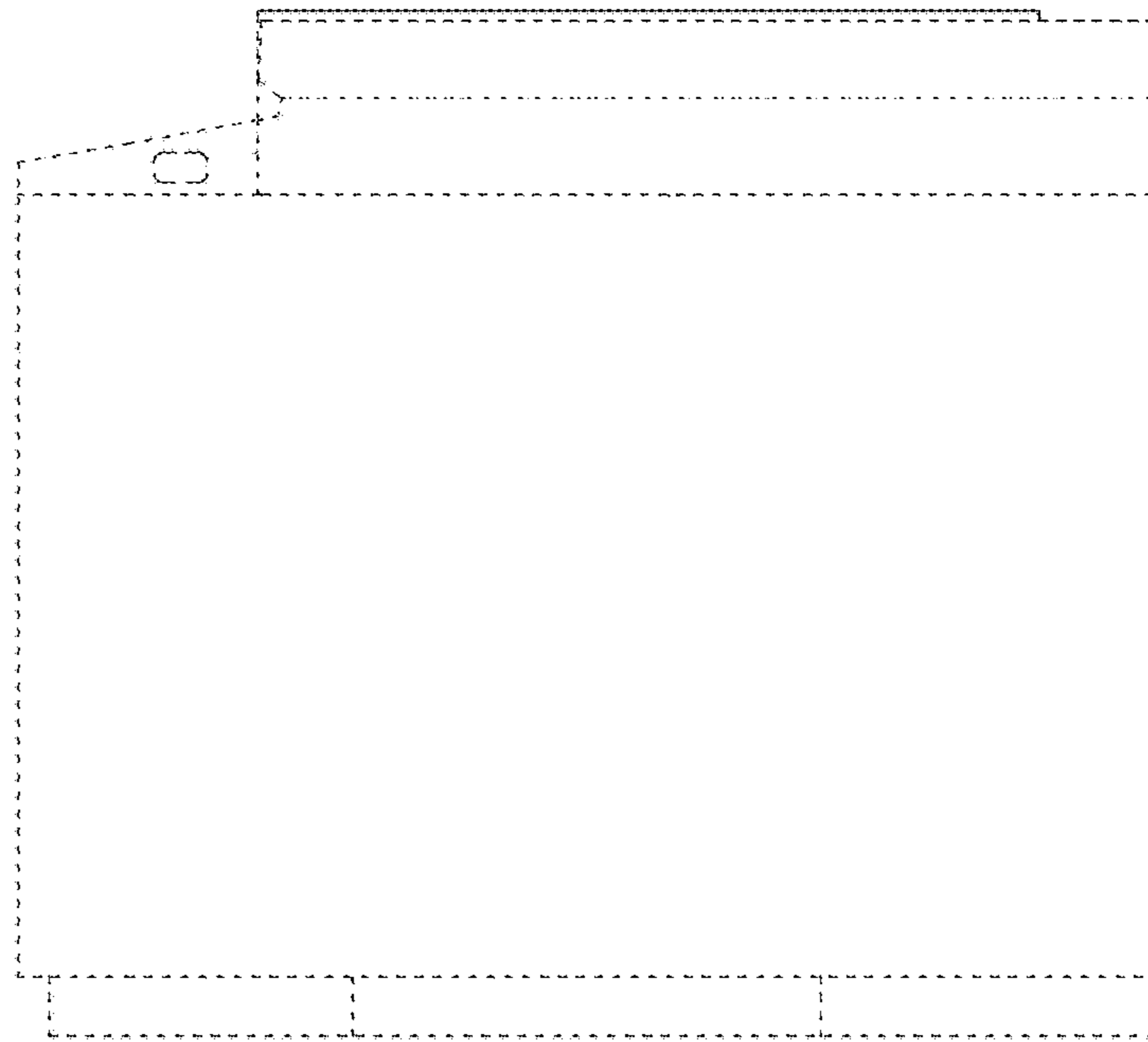


FIG. 7

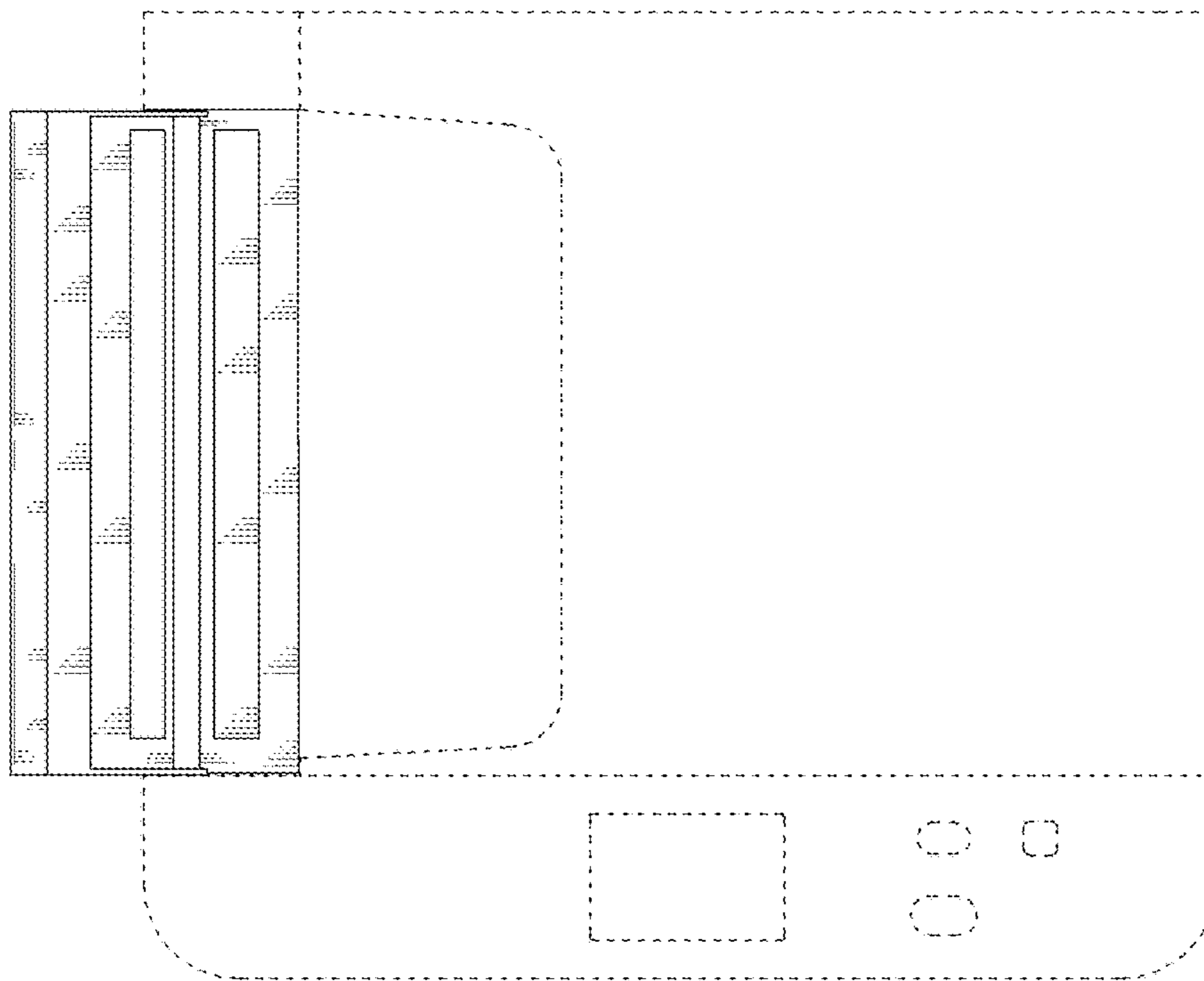


FIG. 8

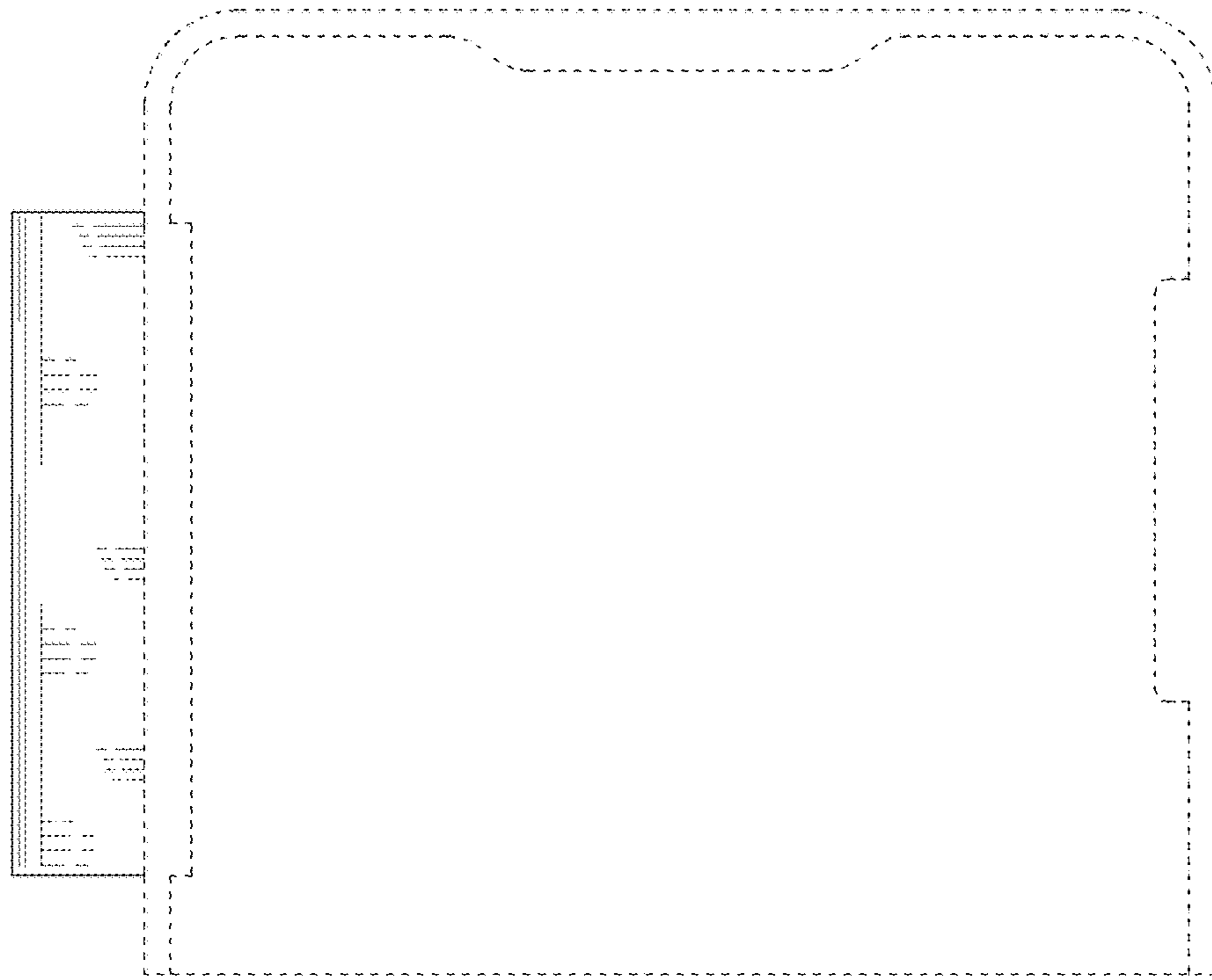


FIG. 9