

US00D867440S

(12) **United States Design Patent** (10) **Patent No.:** **US D867,440 S**
Takei (45) **Date of Patent:** **** Nov. 19, 2019**

(54) **ELECTRONIC KEYBOARD**

(71) Applicant: **YAMAHA CORPORATION**,
Hamamatsu-shi (JP)

(72) Inventor: **Kunihiro Takei**, Hamamatsu (JP)

(73) Assignee: **YAMAHA CORPORATION**,
Hamamatsu-shi, Shizuoka (JP)

(**) Term: **15 Years**

(21) Appl. No.: **29/643,591**

(22) Filed: **Apr. 10, 2018**

(51) **LOC (12) Cl.** **17-01**

(52) **U.S. Cl.**
USPC **D17/1**

(58) **Field of Classification Search**
USPC D17/1, 5, 7, 9; D21/405, 409; D14/188
CPC G10B 3/12; G10B 3/14
See application file for complete search history.

(56) **References Cited**

U.S. PATENT DOCUMENTS

D467,607 S * 12/2002 Yanase D17/7
D557,328 S * 12/2007 Miyashita D17/7

D610,189 S * 2/2010 Henda D17/7
9,905,204 B2 * 2/2018 Okimura G10C 3/02
2012/0125180 A1 * 5/2012 Shim G10H 1/361
84/666

* cited by examiner

Primary Examiner — R. Johnson

(74) *Attorney, Agent, or Firm* — Sughrue Mion, PLLC

(57) **CLAIM**

The ornamental design for an electronic keyboard, as shown and described.

DESCRIPTION

FIG. 1 is a perspective view of the front, top and right side of an electronic keyboard showing my new design;
FIG. 2 is a front view thereof;
FIG. 3 is a rear view thereof;
FIG. 4 is a left side view thereof;
FIG. 5 is a right side view thereof;
FIG. 6 is a top view thereof; and,
FIG. 7 is a bottom view thereof.

The broken line showing of the electronic keyboard is included for the purpose of illustrating portions of the electronic keyboard and forms no part of the claimed design.

1 Claim, 5 Drawing Sheets

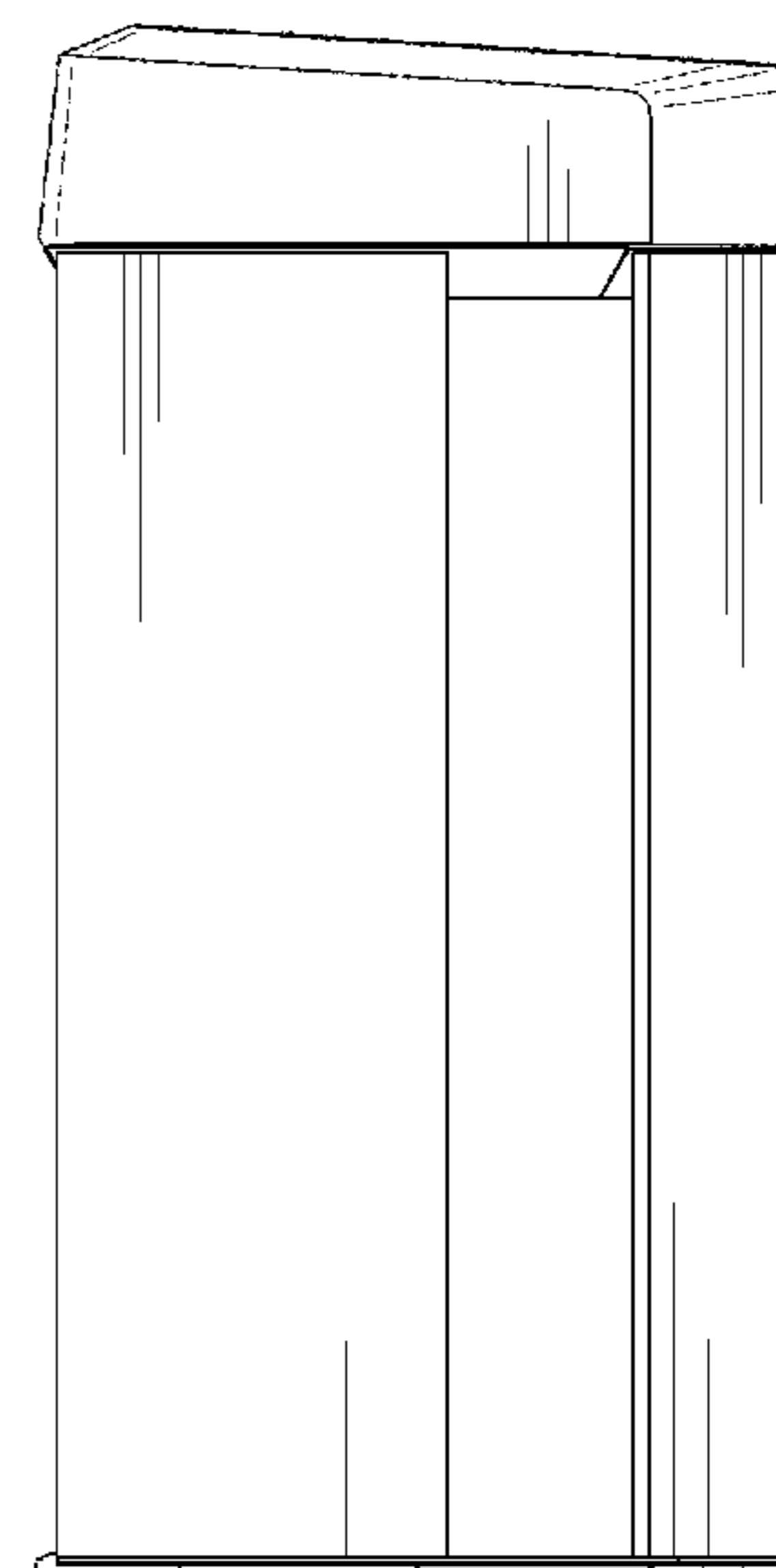
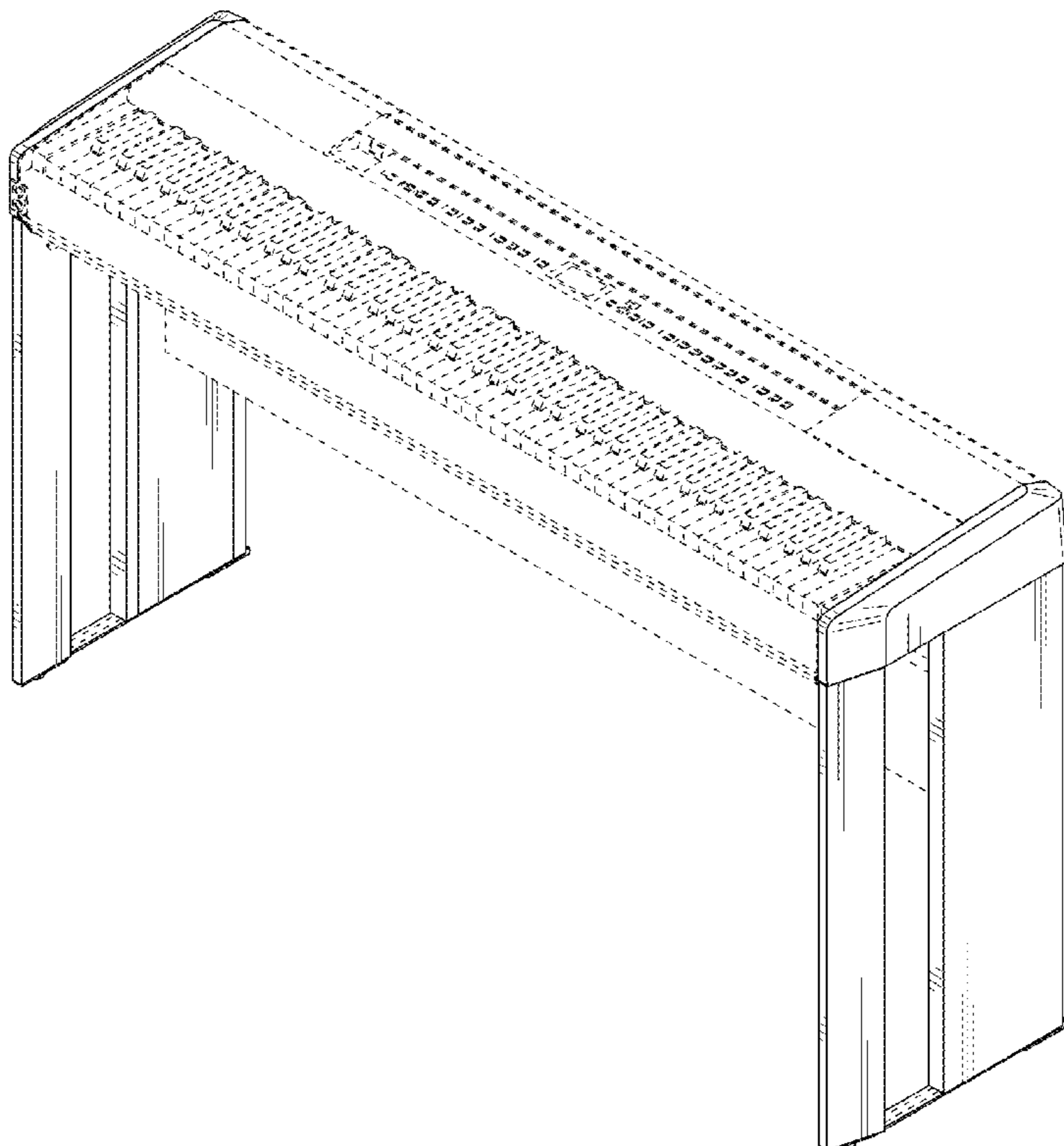


FIG. 1

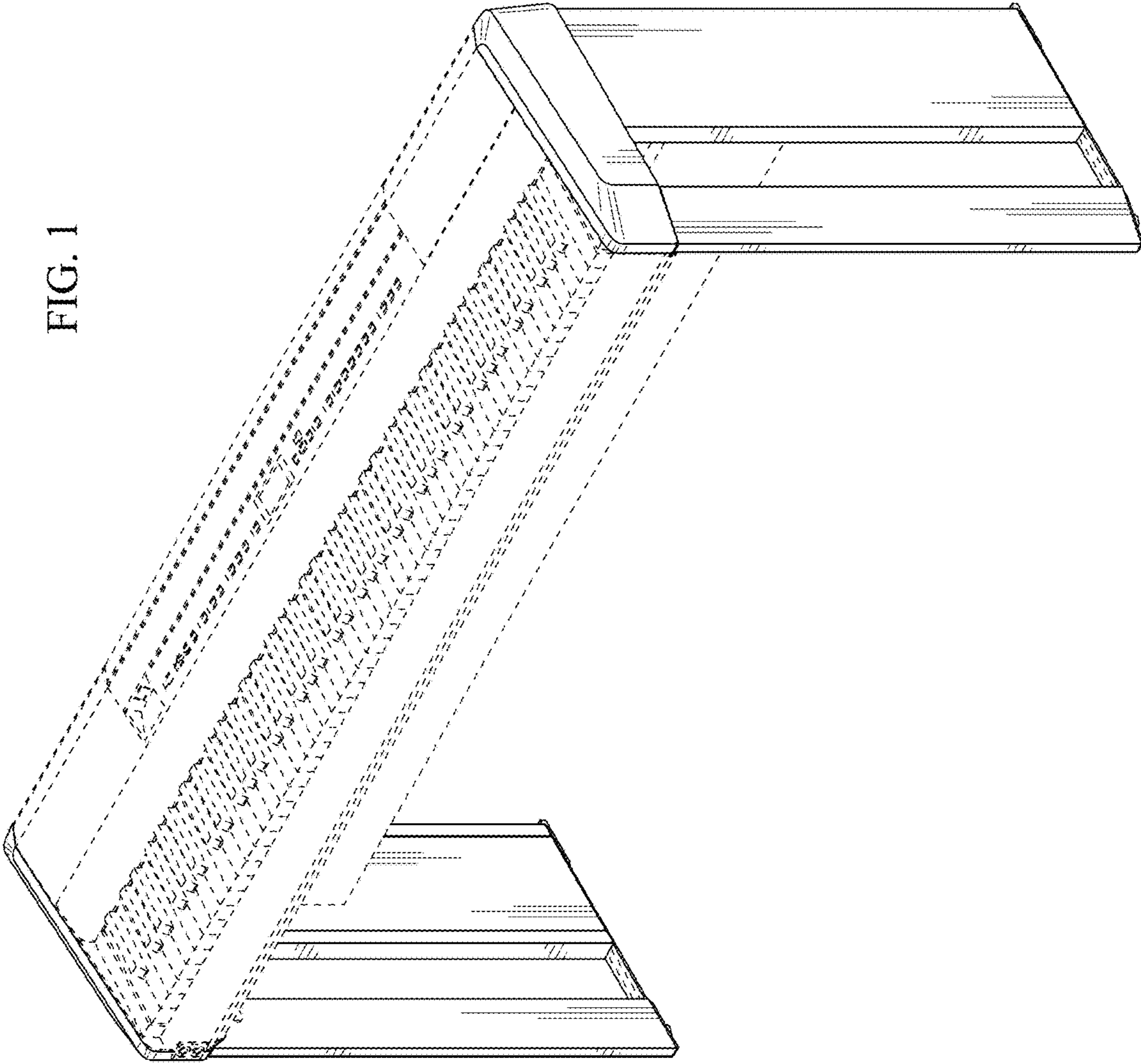


FIG. 2



FIG. 3

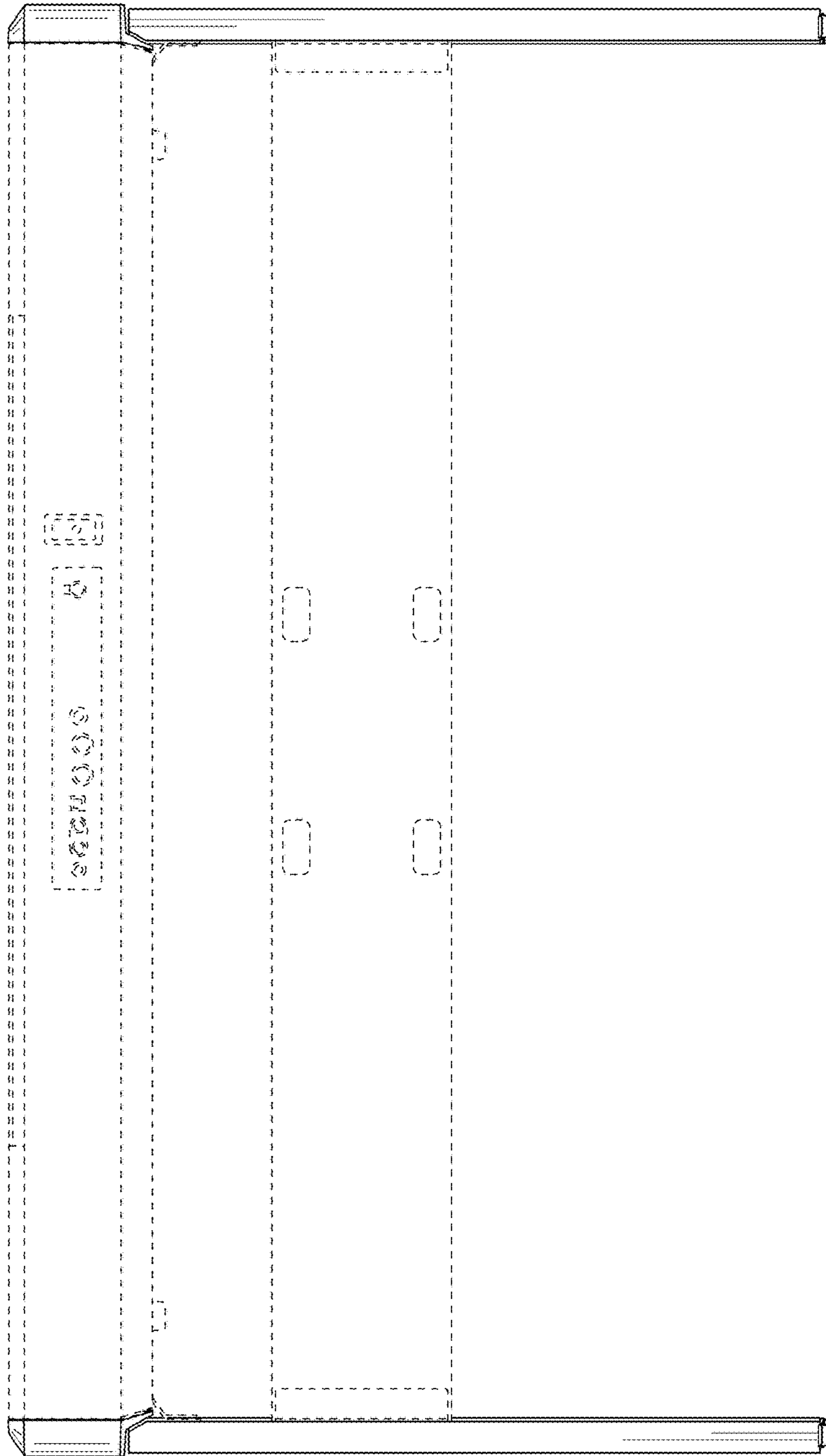


FIG. 5

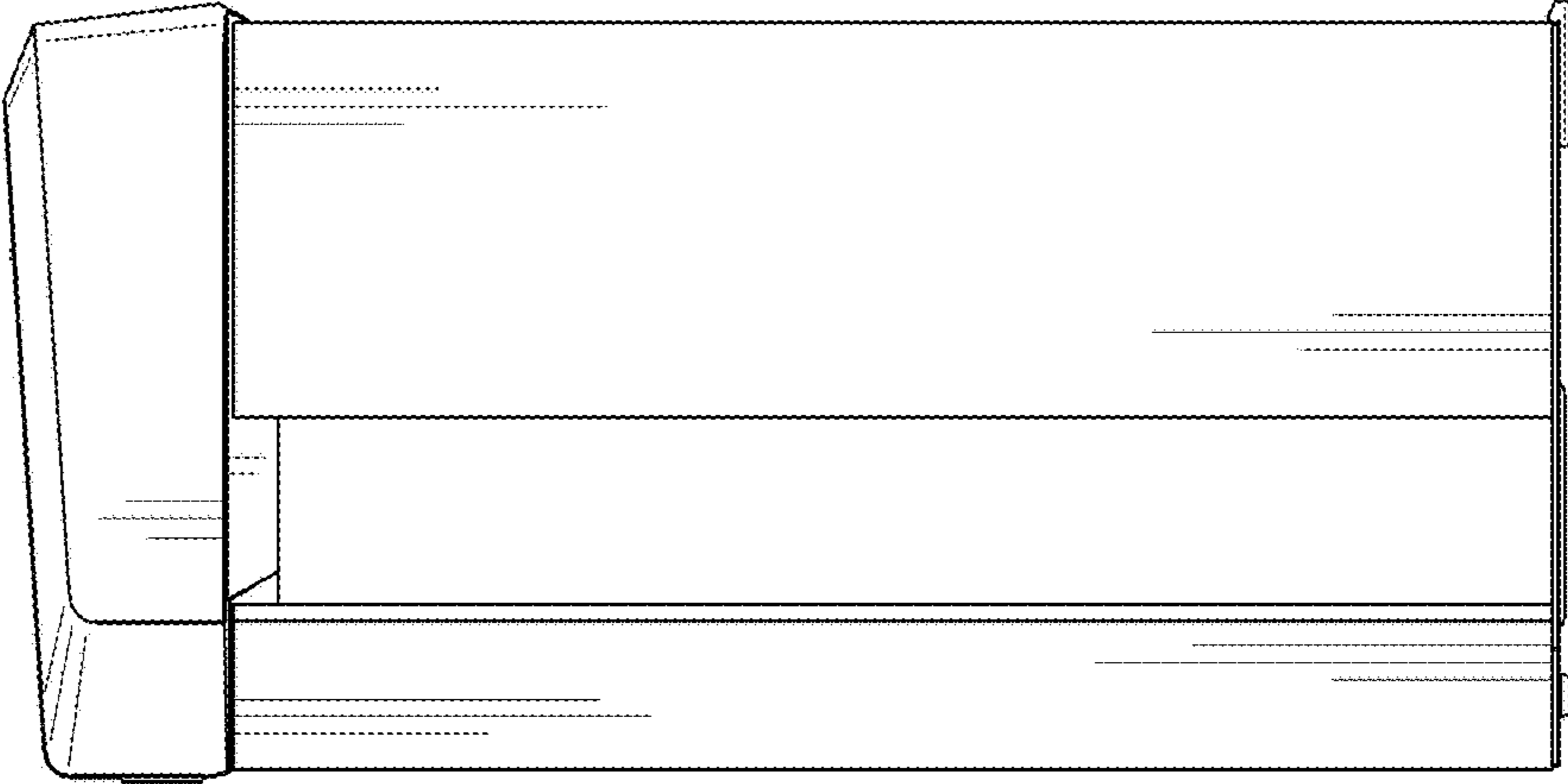


FIG. 4

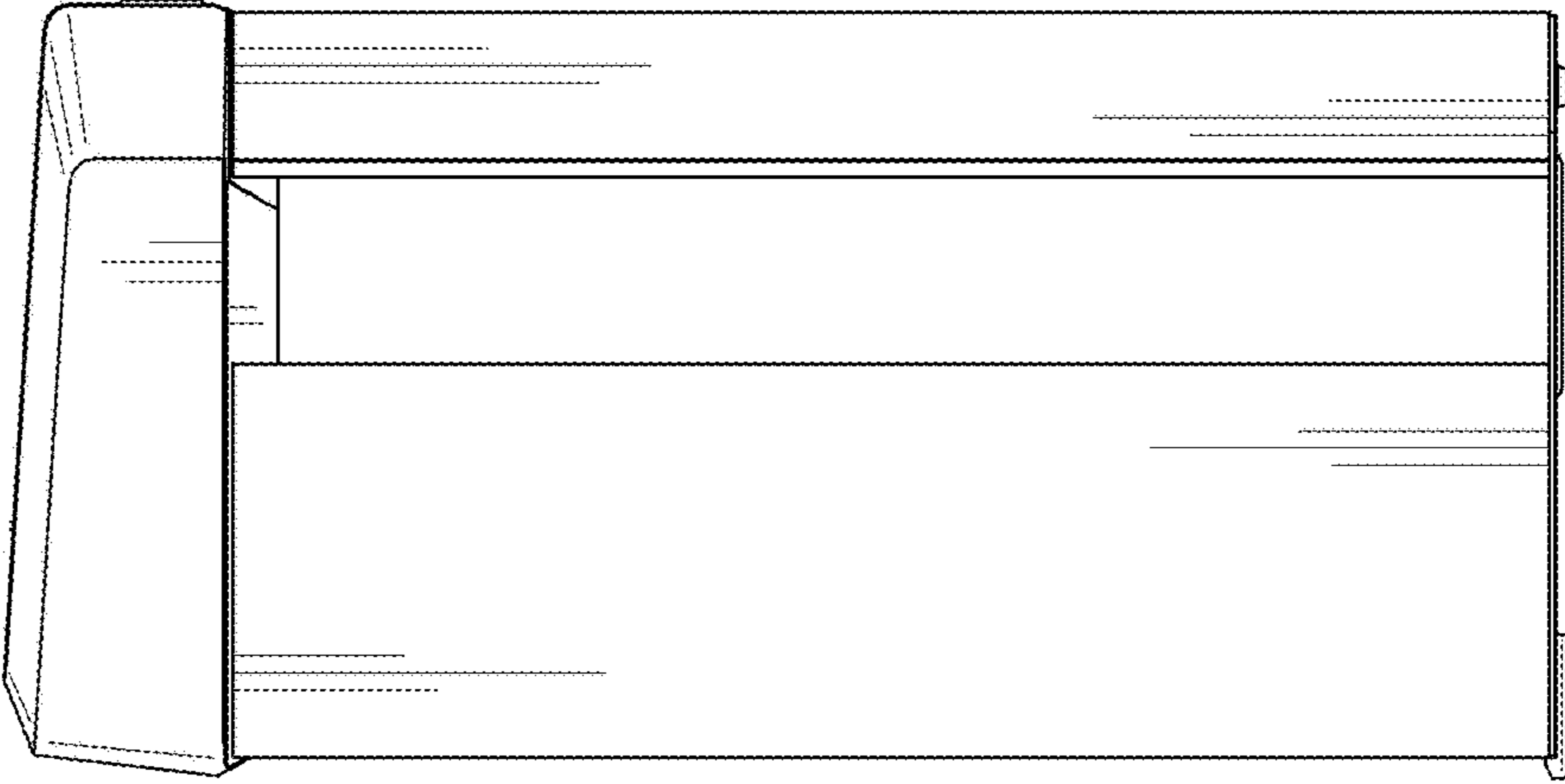


FIG. 6

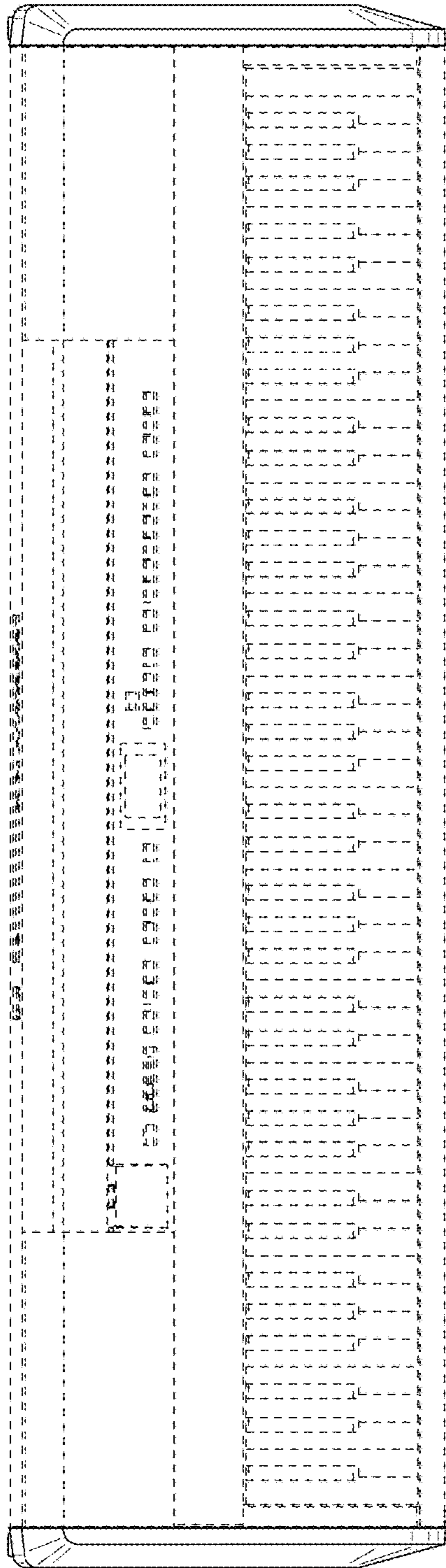


FIG. 7

