



US00D867437S

(12) **United States Design Patent**  
**Lian**

(10) **Patent No.:** **US D867,437 S**

(45) **Date of Patent:** **\*\* Nov. 19, 2019**

(54) **EYE MASK**

(71) Applicant: **Danyang Lian**, Guangdong (CN)

(72) Inventor: **Danyang Lian**, Guangdong (CN)

(\*\*) Term: **15 Years**

(21) Appl. No.: **29/701,529**

(22) Filed: **Aug. 13, 2019**

(51) **LOC (12) Cl.** ..... **16-06**

(52) **U.S. Cl.**  
USPC ..... **D16/301**

(58) **Field of Classification Search**  
USPC ..... D16/301, 330, 339; D29/109, 122;  
D24/110.2, 191; 2/15, 431, 440, 452  
CPC ..... A61F 9/04  
See application file for complete search history.

(56) **References Cited**

**U.S. PATENT DOCUMENTS**

- D182,389 S \* 3/1958 Sisco ..... D24/208
- 2,891,252 A \* 6/1959 Lazo ..... A61H 39/04  
2/15
- 4,790,031 A \* 12/1988 Duerer ..... A61F 9/02  
128/858
- D302,167 S \* 7/1989 Sherman ..... D16/301
- 4,872,217 A \* 10/1989 Kitayama ..... A61F 9/04  
2/15
- 5,873,134 A \* 2/1999 Chou ..... A63B 33/002  
2/439
- D481,748 S \* 11/2003 Magidson ..... D16/101
- D485,854 S \* 1/2004 Thomason ..... D16/301

- D489,749 S \* 5/2004 Landvik ..... D16/301
- D548,265 S \* 8/2007 Lane ..... D16/301
- D592,236 S \* 5/2009 McGrath ..... D16/301
- 7,721,350 B1 \* 5/2010 Eaton ..... A61F 9/04  
2/15
- D717,362 S \* 11/2014 Kaufer ..... D16/301
- D726,244 S \* 4/2015 Defranco ..... D16/301
- D780,250 S \* 2/2017 Young ..... D16/301
- D830,448 S \* 10/2018 Hardi ..... D16/301
- D854,075 S \* 7/2019 Carver ..... D16/301

\* cited by examiner

*Primary Examiner* — Ruth McInroy

(74) *Attorney, Agent, or Firm* — Zan IP

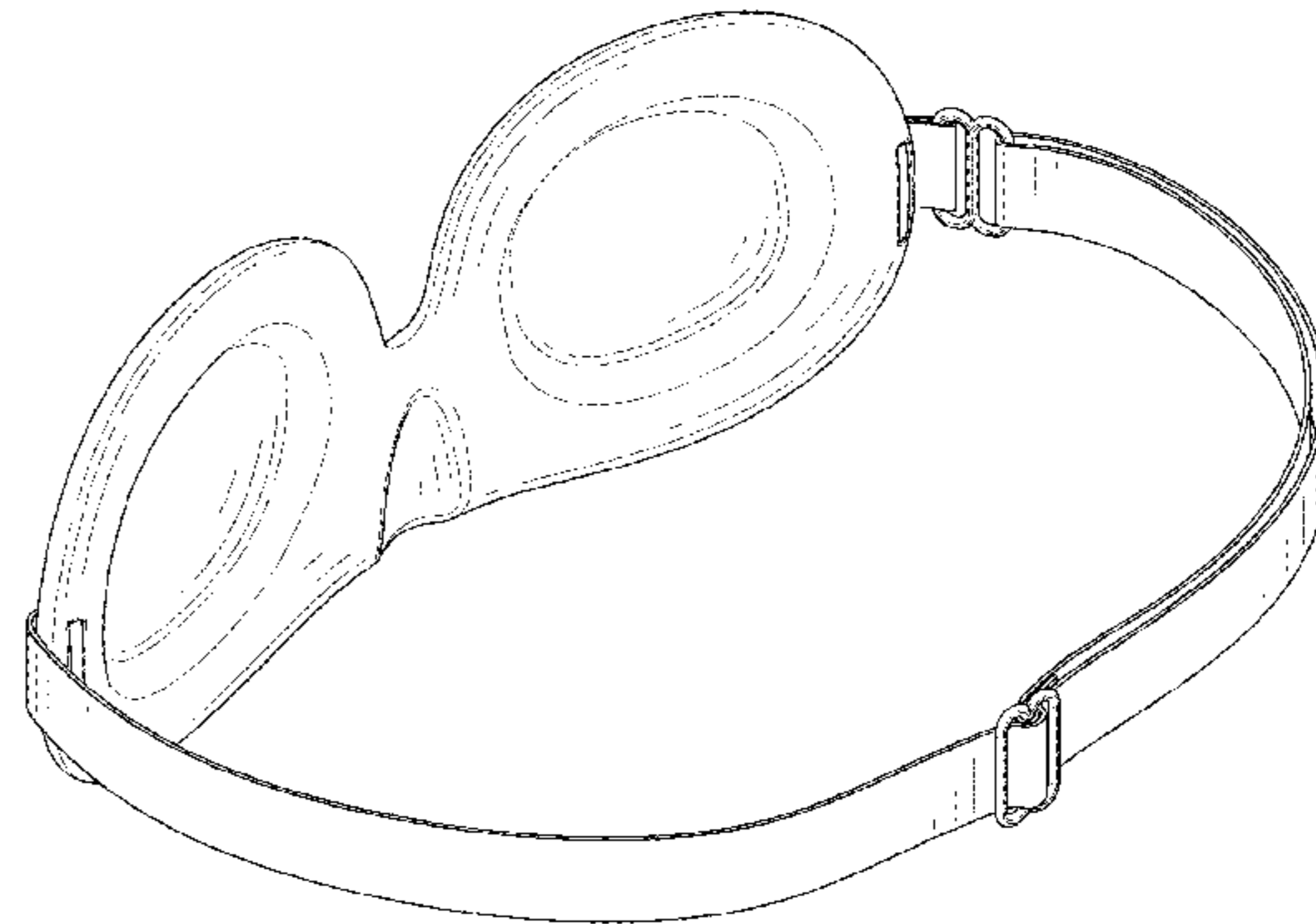
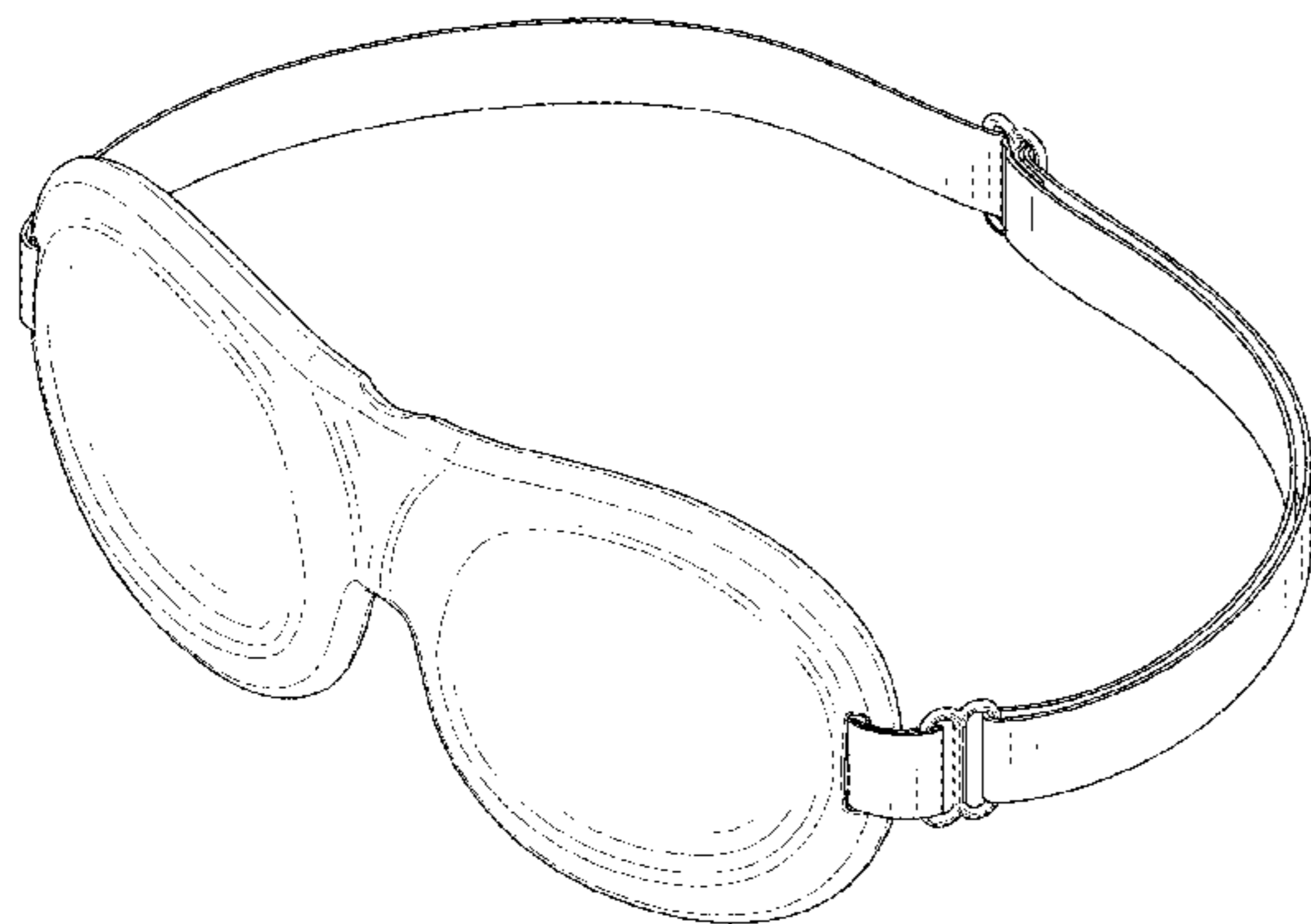
(57) **CLAIM**

The ornamental design for an eye mask, as shown and described.

**DESCRIPTION**

FIG. 1 is a front and top perspective view of an eye mask, showing my new design;  
 FIG. 2 is a rear and bottom perspective view thereof;  
 FIG. 3 is a front elevational view thereof;  
 FIG. 4 is a rear elevational view thereof;  
 FIG. 5 is a left side elevational view thereof;  
 FIG. 6 is a right side elevational view thereof;  
 FIG. 7 is a top plan view thereof; and,  
 FIG. 8 is a bottom plan view thereof.

**1 Claim, 8 Drawing Sheets**



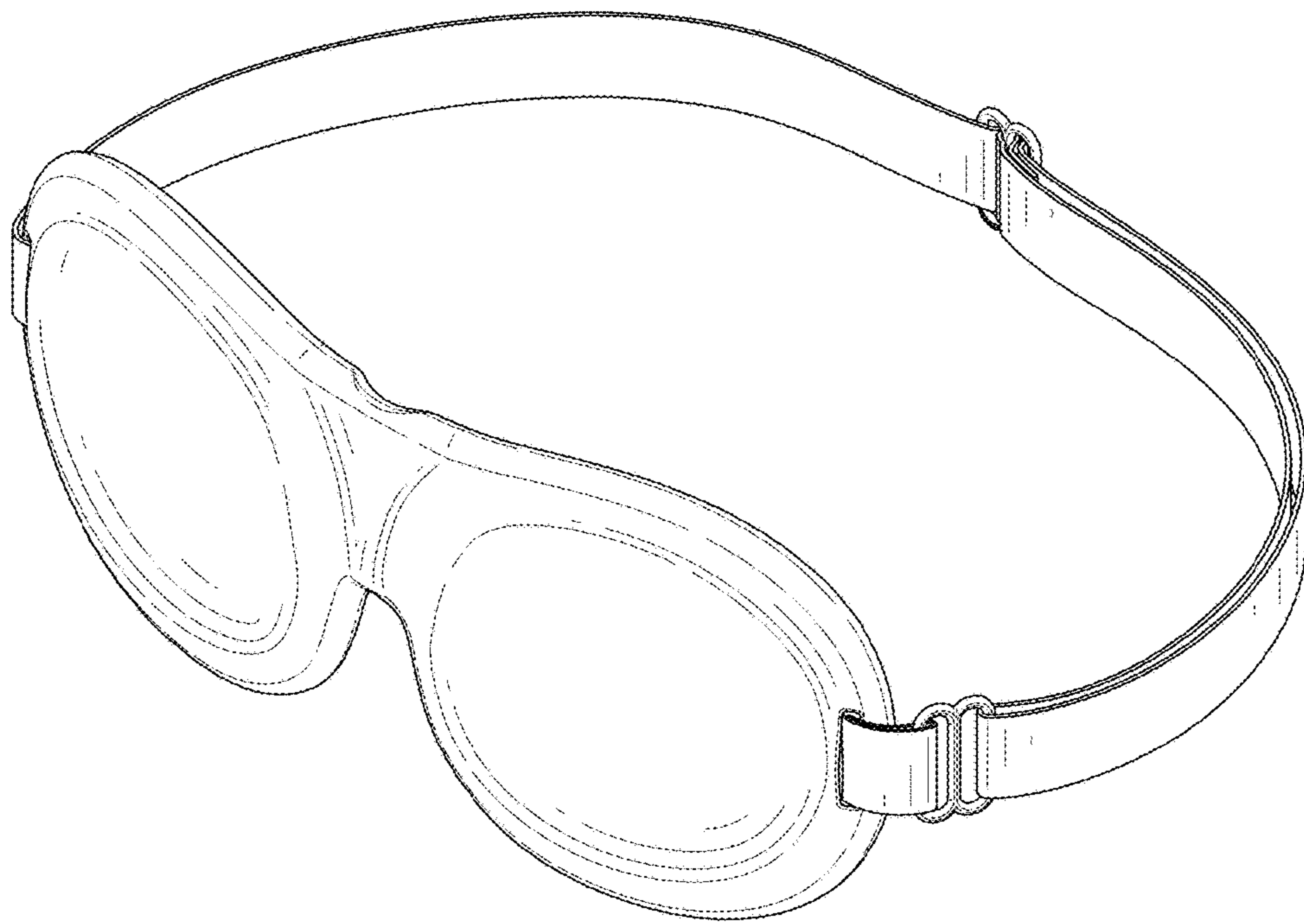


FIG. 1

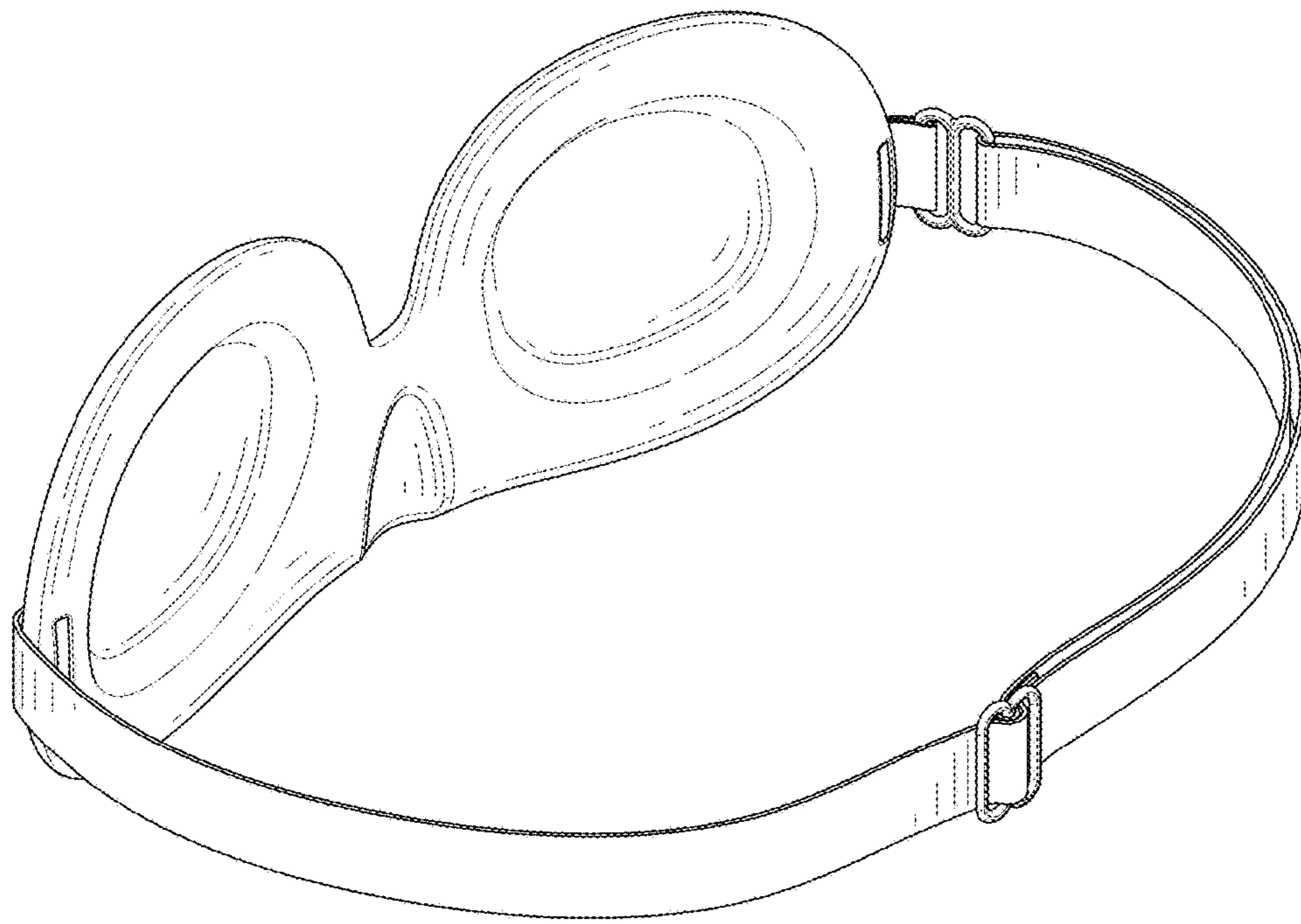


FIG. 2

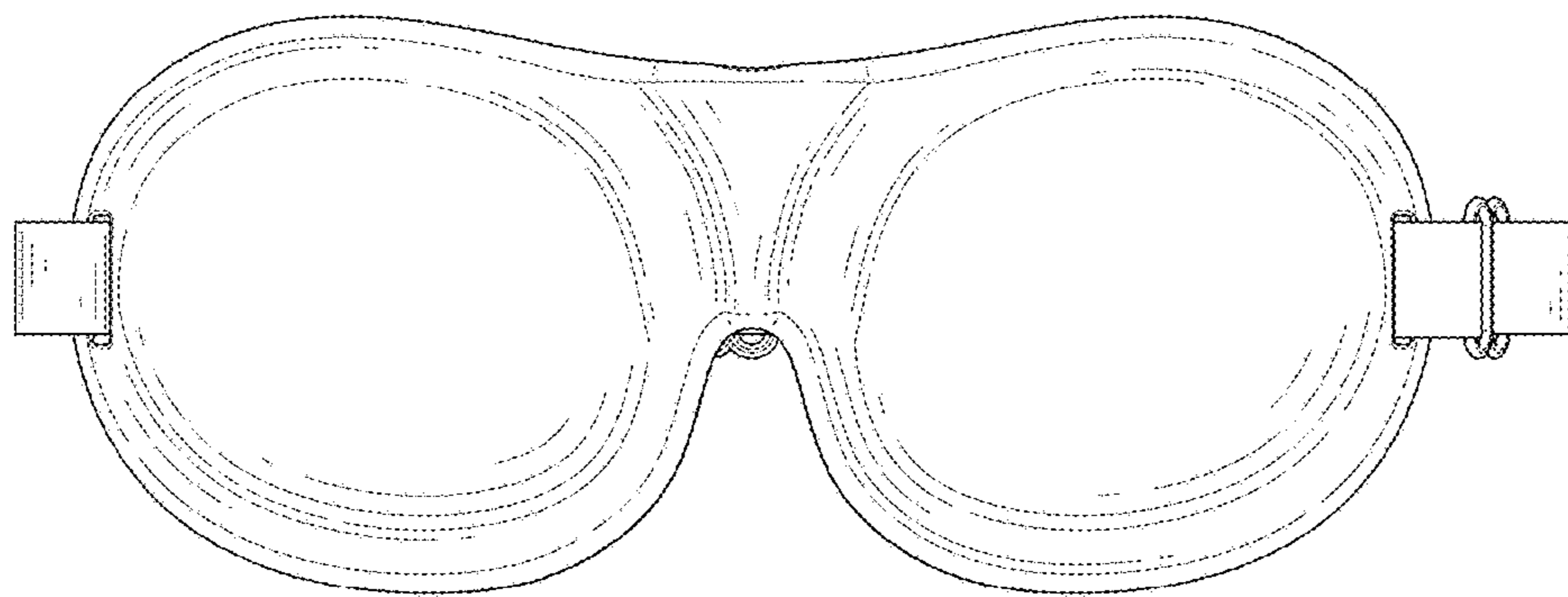


FIG. 3

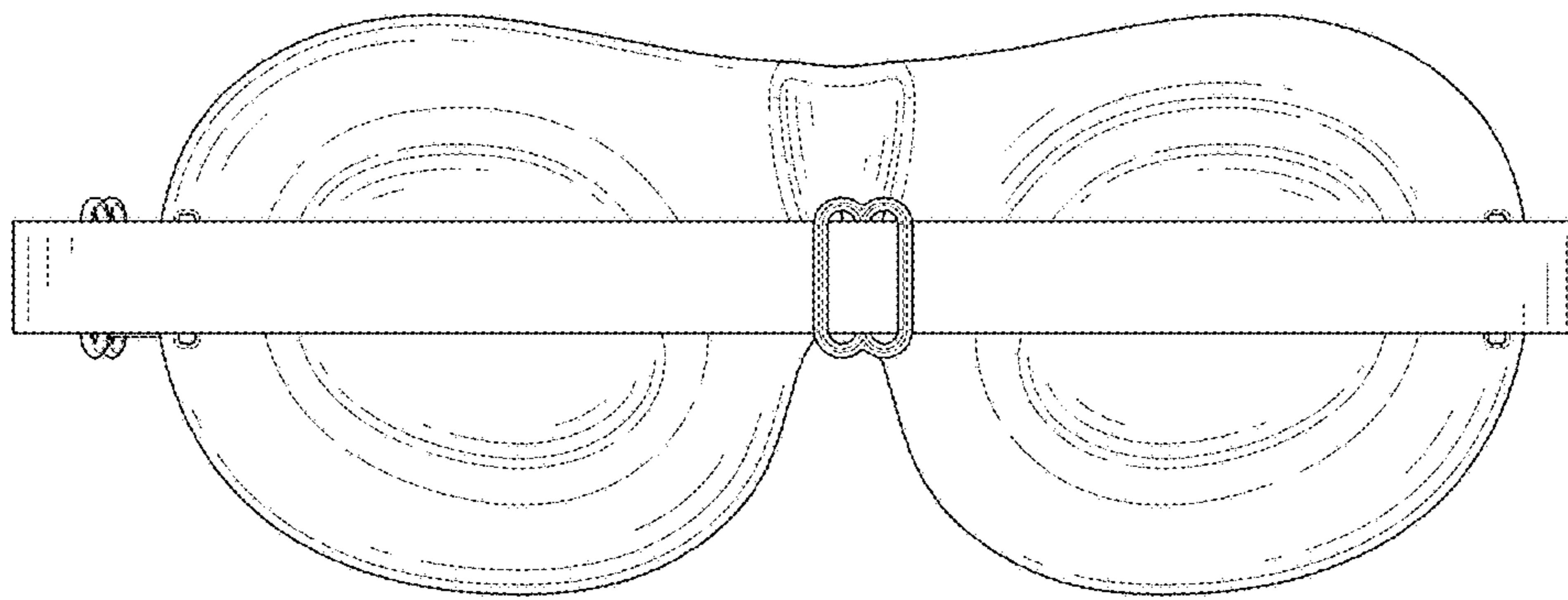


FIG. 4

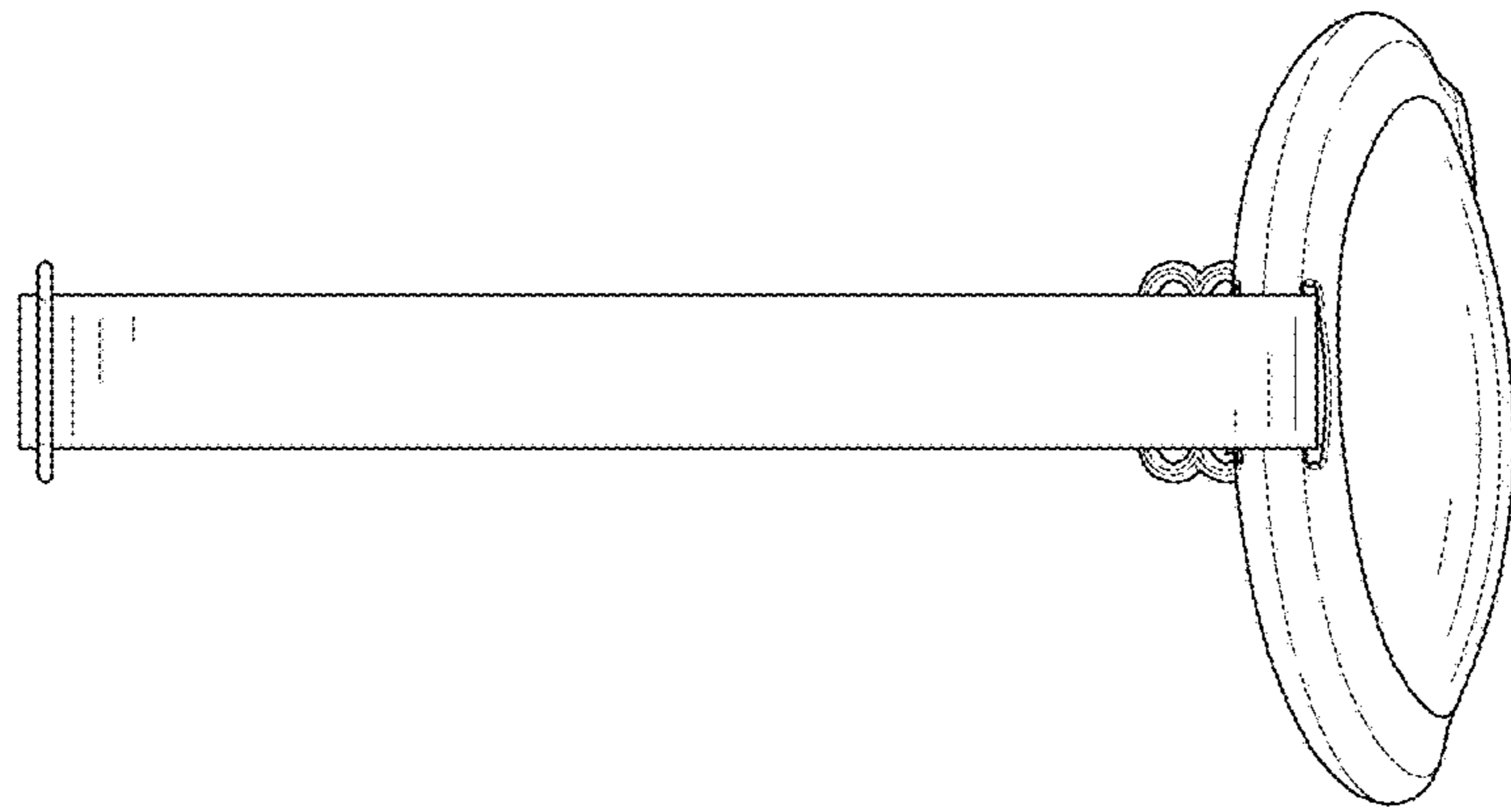


FIG. 5

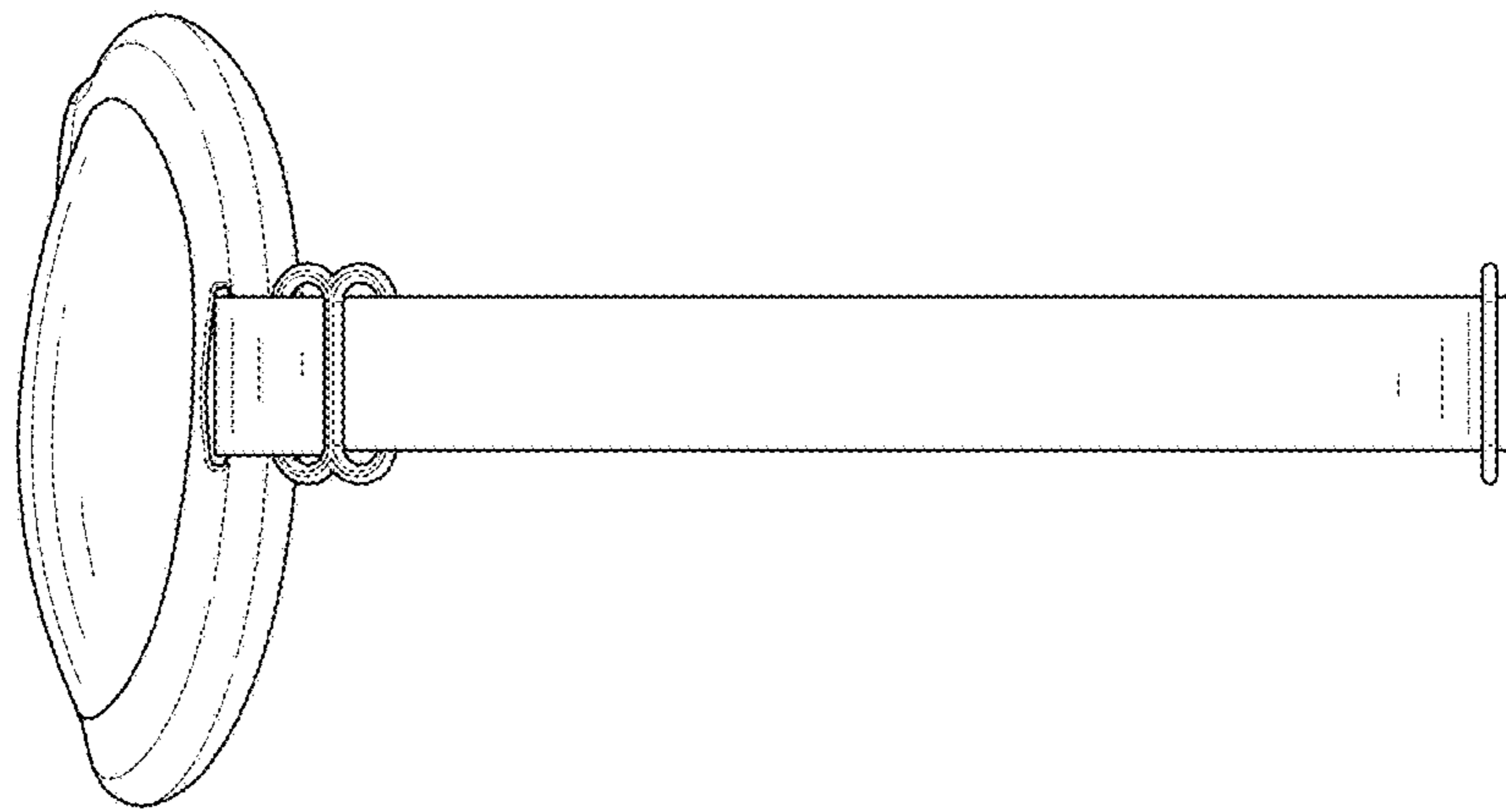


FIG. 6



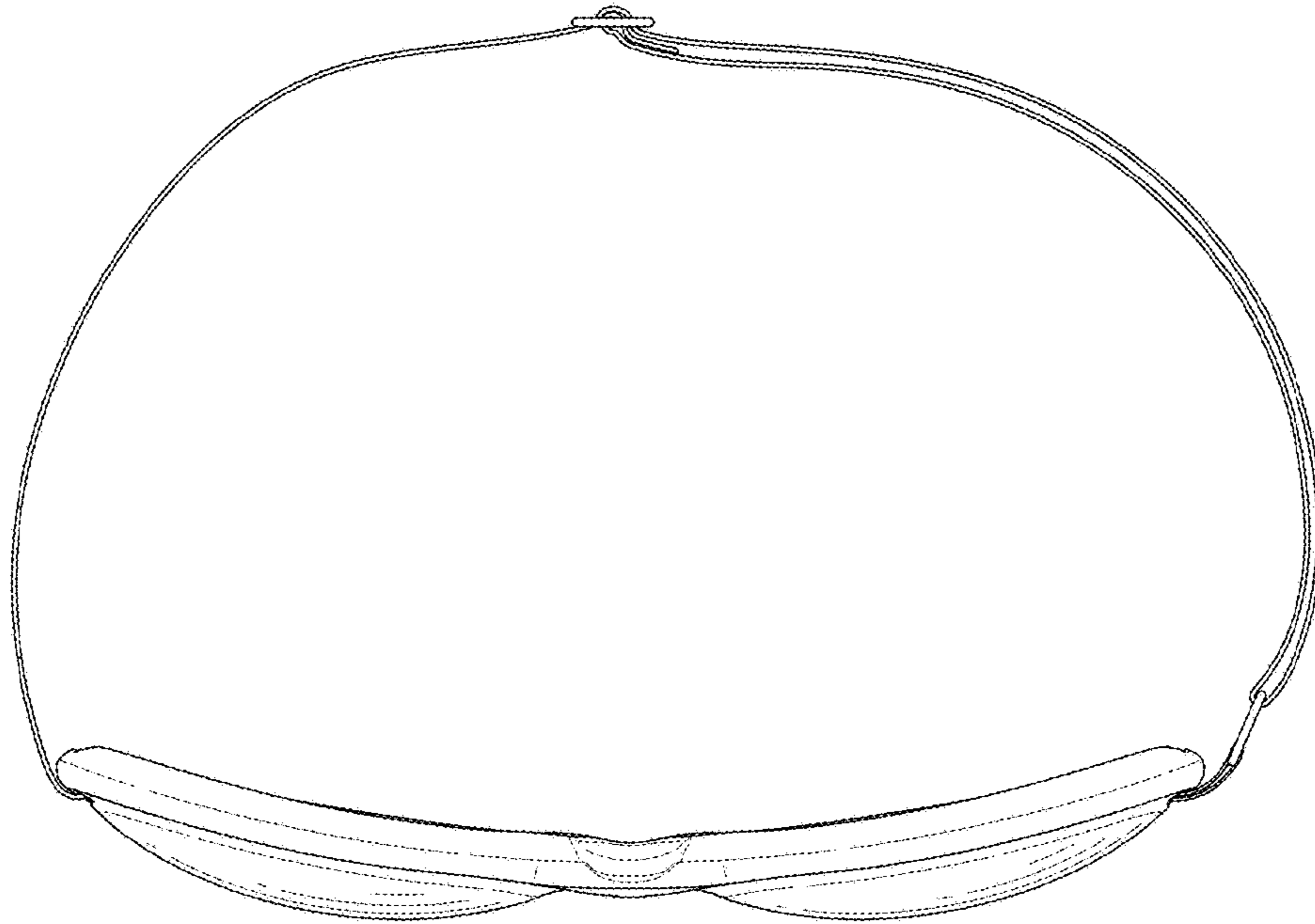


FIG. 7



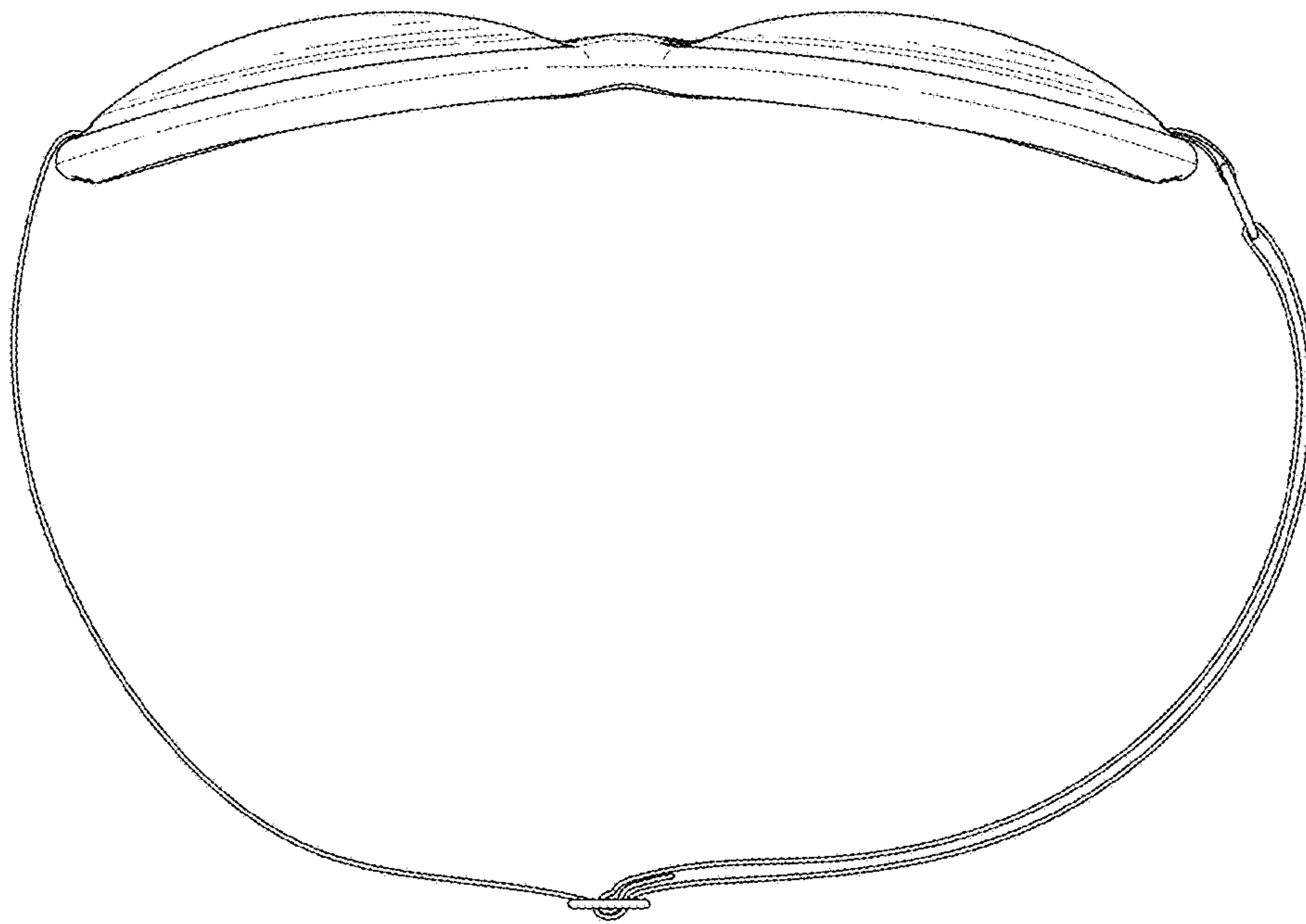


FIG. 8