



US00D867435S

(12) **United States Design Patent**  
**Wengreen**

(10) **Patent No.:** **US D867,435 S**

(45) **Date of Patent:** **\*\* Nov. 19, 2019**

(54) **MOUNT FOR ELECTRONIC DEVICES**

(71) Applicant: **Innovelis, Inc.**, Sammamish, WA (US)

(72) Inventor: **Eric John Wengreen**, Sammamish, WA (US)

(73) Assignee: **Innovelis, Inc.**, Sammamish, WA (US)

(\*\*) Term: **15 Years**

(21) Appl. No.: **29/655,533**

(22) Filed: **Jul. 4, 2018**

(51) **LOC (12) Cl.** ..... **16-05**

(52) **U.S. Cl.**  
USPC ..... **D16/242**

(58) **Field of Classification Search**  
USPC ..... D14/250–254, 217, 224, 224.1, 238.1, D14/299, 434, 447, 451–452, 483; D12/400, 415–426, 426.1, 114, 223; D16/242, 245; D10/74; D3/218; D13/107, 108; D8/363, 382  
CPC ..... B60R 11/00; B60R 11/02; B60R 11/0241; B60R 11/0252; B60R 2011/0003; B60R 2011/0005; B60R 2011/0008; H04M 1/04; H04B 1/3877; A45F 2200/0516; A45F 2200/0525; H05K 5/0204; F16M 13/02; F16M 13/022; F16M 11/04; F16M 11/041; F16M 11/14; F16M 11/22; F16B 2/12; H01F 7/0252; G03B 17/561  
See application file for complete search history.

(56) **References Cited**

**U.S. PATENT DOCUMENTS**

1,306,100 A	6/1919	Chadwick
1,573,239 A	2/1926	Edward
1,618,573 A	2/1927	Cole
1,820,323 A	8/1931	Powell
1,874,813 A	8/1932	Saunders
2,397,688 A	4/1946	Osinski

D148,816 S	2/1948	Pemstein
2,438,143 A	3/1948	Brown
2,448,339 A	8/1948	Williams
2,584,646 A	2/1952	Wagstaff
2,633,174 A	3/1953	Ougljesa
2,727,552 A	12/1955	Chvesta
2,943,138 A	6/1960	Reager
3,091,378 A	5/1963	O'Dwyer
D196,542 S	10/1963	Zelnick

(Continued)

**OTHER PUBLICATIONS**

TotalMount Hole-Free Mount for Amazon Cloud Cam, YouTube online, post date Aug. 8, 2018, URL: [https://www.youtube.com/watch?v=ZEjvHAmXf\\_1](https://www.youtube.com/watch?v=ZEjvHAmXf_1), retrieved Sep. 10, 2019.\*

(Continued)

*Primary Examiner* — Jeffrey D Asch  
*Assistant Examiner* — Rebekah A Caruso

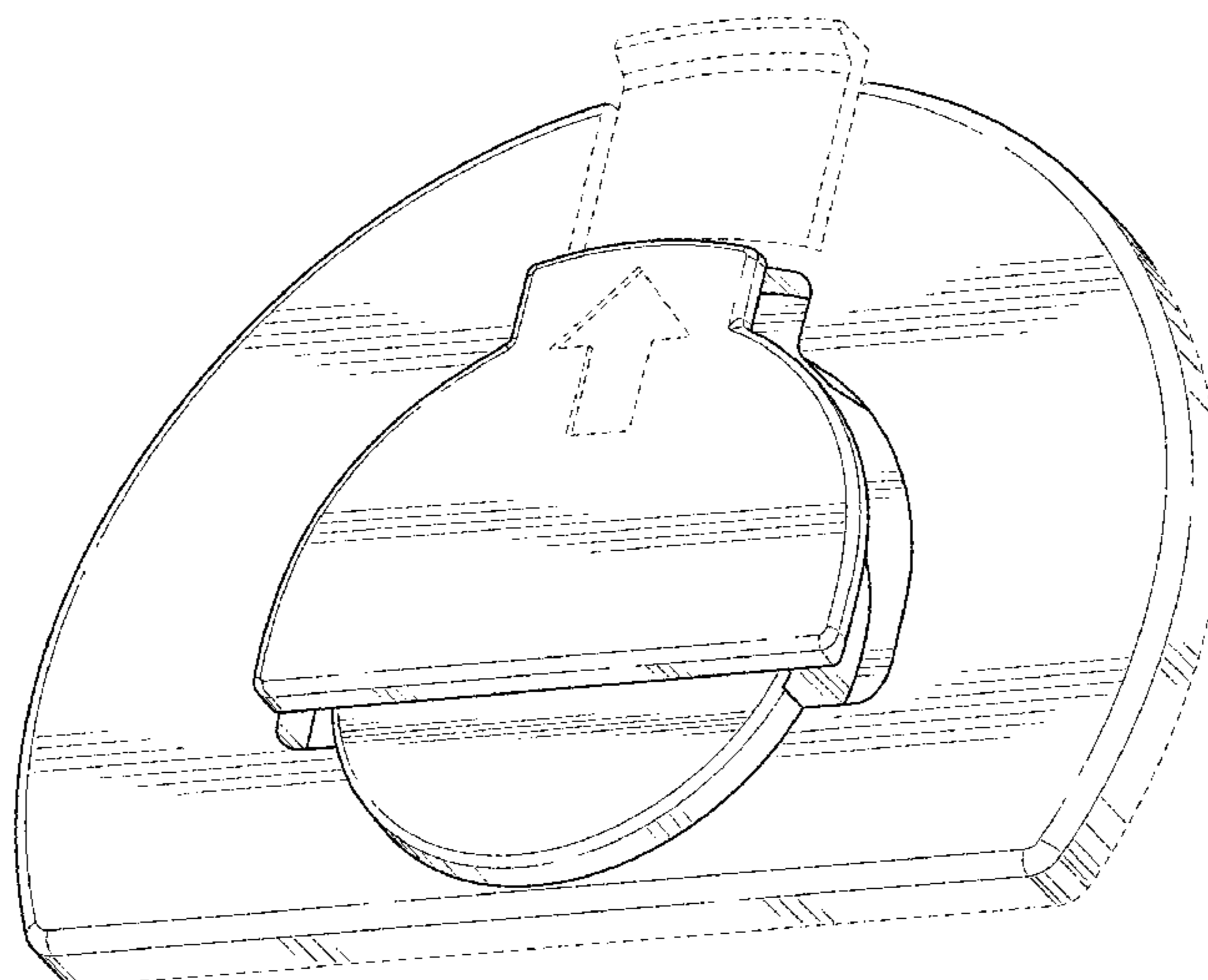
(57) **CLAIM**

The ornamental design for a mount for electronic devices, as shown and described.

**DESCRIPTION**

FIG. 1 is a front, bottom, and first side perspective view of a mount for electronic devices embodying the new design; FIG. 2 is a back, top, and second side perspective view thereof; FIG. 3 is a front view thereof; FIG. 4 is a back view thereof; FIG. 5 is a first side view thereof; FIG. 6 is a second side view thereof; FIG. 7 is a top view thereof; and, FIG. 8 is a bottom view thereof. The uniform repeating broken lines depict portions of a mount for electronic devices in which the claimed design is embodied and form no part of the claimed design.

**1 Claim, 8 Drawing Sheets**



(56)

References Cited

U.S. PATENT DOCUMENTS

3,176,950 A	4/1965	Hittesdorf	D411,542 S	6/1999	Richter	
3,279,009 A	10/1966	Teasdale	5,914,707 A	6/1999	Kono	
3,294,298 A	12/1966	Danielson	5,961,083 A	10/1999	Hartman	
3,477,679 A	11/1969	Lovitz	5,979,724 A	11/1999	Loewenthal	
3,689,868 A	9/1972	Snyder	D420,149 S	2/2000	Hersh	
3,745,664 A	7/1973	Altseimer	6,039,173 A	3/2000	Crow	
3,924,914 A	12/1975	Banner	D425,353 S	5/2000	Foy	
3,990,617 A	11/1976	Carter	D426,041 S	5/2000	Boghossian	
D242,766 S	12/1976	Neece	6,073,901 A	6/2000	Richter	
4,067,532 A	1/1978	Viteretto	6,077,109 A	6/2000	Prazoff	
4,139,727 A	2/1979	Kuballa	6,083,016 A	7/2000	Waynick, Sr.	
D251,781 S	5/1979	Hutton	6,102,660 A	8/2000	Lee	
4,158,450 A	6/1979	Suzuki	6,105,923 A	8/2000	Robertson	
D260,879 S	9/1981	Avramovich	D431,250 S	9/2000	Richter	
4,410,298 A	10/1983	Kowalski	6,118,662 A	9/2000	Hutchison	
4,467,244 A	8/1984	Dickie	6,163,997 A	12/2000	Deralas	
4,519,656 A	5/1985	Raz	6,193,546 B1	2/2001	Sadler	
D280,466 S	9/1985	Seltzer	D443,493 S	6/2001	Skeem	
D282,034 S	1/1986	Janke	6,275,882 B1	8/2001	Cheever	
4,562,620 A	1/1986	Oliver, Jr.	6,275,885 B1	8/2001	Chin	
4,583,798 A	4/1986	Blazowich	6,336,615 B1	1/2002	Jeon	
4,602,761 A	7/1986	Carter	D456,024 S	4/2002	Richter	
D287,365 S	12/1986	Judd	D456,413 S	4/2002	Malson	
4,679,873 A	7/1987	Brackett, Jr.	6,445,290 B1	9/2002	Fingal	
4,697,780 A	10/1987	Wenkman	6,474,995 B1	11/2002	Wu	
4,746,042 A	5/1988	King	6,485,144 B1	11/2002	Liao	
4,771,927 A	9/1988	Ventura	D471,547 S	3/2003	Ruohonen	
4,815,683 A	3/1989	Ferrante	6,554,527 B1	4/2003	O'Donnell	
4,825,590 A	5/1989	Cullinane	6,560,983 B1	5/2003	Schimmeyer	
4,826,115 A	5/1989	Novitski	D475,995 S *	6/2003	Hsieh	D14/229
4,840,773 A	6/1989	Wade	6,657,868 B1	12/2003	Hsue	
D301,976 S	7/1989	Greenhut	6,691,374 B2	2/2004	Coyne	
4,852,843 A	8/1989	Chandler	6,884,125 B2	4/2005	Chen	
D308,389 S	6/1990	Horn	6,888,940 B1	5/2005	Deppen	
4,974,764 A	12/1990	Cantwell	6,912,125 B2	6/2005	Weng	
D317,157 S	5/1991	Jondelius	D508,605 S	8/2005	Hwang	
5,038,985 A	8/1991	Chapin	6,939,641 B2	9/2005	Kincaid	
D323,085 S	1/1992	Konkel	6,983,126 B1	1/2006	Saalman	
5,092,395 A	3/1992	Amidzich	D518,704 S	4/2006	Miao	
5,144,821 A	9/1992	Ernesti	D521,455 S	5/2006	Radza	
5,227,582 A	7/1993	Velasco	7,047,601 B1	5/2006	Vernon-Woods	
D339,599 S *	9/1993	Tiffen	7,067,737 B2	6/2006	Mallen	
5,273,690 A	12/1993	McDowell	D524,756 S	7/2006	Radza	
5,297,318 A	3/1994	Adolphson	7,079,384 B2	7/2006	Wang	
D351,341 S	10/1994	Hung	7,080,764 B2	7/2006	McNicholas	
5,385,282 A	1/1995	Chen	7,113,218 B2	9/2006	Battles	
5,400,990 A	3/1995	Frankel	D529,713 S	10/2006	Guyot	
D359,288 S	6/1995	Underwood	D529,905 S	10/2006	Richter	
D359,616 S	6/1995	Ishibashi	D530,713 S	10/2006	Richter	
D361,335 S	8/1995	Rudkiewicz	D530,717 S	10/2006	Mori	
D361,462 S	8/1995	Newham	D531,180 S *	10/2006	Goto	D14/432
D362,663 S	9/1995	Nguyen	D533,175 S	12/2006	Richter	
D369,465 S	5/1996	Scheid	7,145,603 B2	12/2006	Whitby	
5,535,093 A	7/1996	Noguchi	D535,826 S	1/2007	Toghanian	
5,555,491 A	9/1996	Tao	D536,239 S	2/2007	Tallman	
D375,292 S	11/1996	D'Amato	7,222,762 B2	5/2007	Rees	
D376,531 S *	12/1996	Polley	D543,838 S	6/2007	Yoshiguchi	
D376,585 S	12/1996	Wathen	D545,343 S	6/2007	Braun	
D376,787 S	12/1996	Calfee	D547,863 S	7/2007	Heinsch	
5,593,124 A	1/1997	Wang	D551,008 S	9/2007	Hidalgo	
5,600,870 A	2/1997	Fields	D553,352 S	10/2007	Allen	
5,619,395 A	4/1997	McBride	D557,266 S	12/2007	Hughes	
5,619,774 A	4/1997	Perry	D560,068 S	1/2008	Dixon	
D385,287 S	10/1997	Westcott	D560,411 S	1/2008	Chung	
D388,107 S	12/1997	Huckins	D564,529 S	3/2008	Hughes	
5,700,150 A	12/1997	Morin	D565,399 S	4/2008	Grey	
D390,849 S	2/1998	Richter	D566,590 S	4/2008	Stevens	
5,730,342 A	3/1998	Tien	D568,889 S	5/2008	Hughes	
5,740,995 A	4/1998	Richter	D569,226 S	5/2008	Brewster	
D395,641 S *	6/1998	Gaete	7,367,089 B2	5/2008	Cooke	
5,850,998 A	12/1998	Parsey	D570,801 S	6/2008	Allen	
D407,408 S	3/1999	Hoff	D580,190 S	11/2008	Marsilio	
5,882,210 A	3/1999	Embo	D582,486 S *	12/2008	Ashida	D14/434
D409,079 S	5/1999	Sobczynski	D585,882 S	2/2009	Lum	
5,899,371 A	5/1999	Weliver	D586,795 S	2/2009	Richter	
			D587,564 S	3/2009	Kodi	
			D591,499 S	5/2009	Ross, III	
			D592,206 S	5/2009	O'Brien	
			D596,172 S	7/2009	Ahlqvist	

(56)

References Cited

U.S. PATENT DOCUMENTS

D597,069 S	7/2009	Wengreen	D712,906 S	9/2014	Wengreen
7,560,642 B2	7/2009	Ygnelzi	D713,395 S	9/2014	Godycki
D598,945 S	8/2009	Gillespie	D713,398 S *	9/2014	Alesi ..... D14/253
7,580,255 B2	8/2009	Crooijmans	D713,399 S	9/2014	Green
D601,000 S	9/2009	Cole	D713,849 S	9/2014	Kirwer
D609,030 S	2/2010	Barabas	8,844,888 B1	9/2014	Gretz
D610,579 S	2/2010	Behar	8,847,549 B2	9/2014	Graham
D619,879 S	7/2010	McCarthy	8,848,113 B2	9/2014	Wengreen
D624,949 S	10/2010	Nakayama	D714,793 S	10/2014	Kim
D625,729 S	10/2010	McNames	D716,580 S	11/2014	Wengreen
D628,611 S	12/2010	Lewis	D717,307 S	11/2014	Chun
D629,366 S	12/2010	Ericson	D717,804 S	11/2014	Budge
7,854,420 B2	12/2010	Depay	8,896,768 B1	11/2014	Wengreen
D633,503 S	3/2011	Bo	D719,961 S *	12/2014	Xiang ..... D14/447
7,925,230 B2	4/2011	Ruckriem	8,934,060 B1	1/2015	Wengreen
7,925,320 B2	4/2011	Pemble	8,934,061 B1	1/2015	Wengreen
D639,092 S	6/2011	Lundy	8,939,417 B1	1/2015	Wengreen
D639,301 S	6/2011	Anderson	D723,042 S	2/2015	Lee
D640,199 S	6/2011	Wilson	D724,598 S	3/2015	Gelsomini
7,959,121 B1	6/2011	Barnes	8,988,616 B2	3/2015	Wengreen
7,980,435 B2	7/2011	Tages	9,019,698 B2 *	4/2015	Thiers ..... H04W 88/02 248/922
D643,659 S	8/2011	Choi	D729,544 S	5/2015	Wengreen
D646,315 S	10/2011	Orf	D729,618 S	5/2015	Bastien
8,041,029 B2	10/2011	Wiegiers	D732,939 S	6/2015	Cannaverde
D648,707 S	11/2011	Akana	D733,105 S	6/2015	Wengreen
D648,727 S	11/2011	Van Den Nieuwenhuizen	D733,539 S	7/2015	Wu
D651,068 S	12/2011	Kang	D733,542 S	7/2015	Cannaverde
D654,077 S	2/2012	Radin	D733,691 S	7/2015	Wengreen
D656,932 S	4/2012	Wikel	D734,305 S	7/2015	Wengreen
D657,362 S	4/2012	Lister	D735,174 S	7/2015	Wengreen
D660,306 S	5/2012	Voorhees	D736,071 S	8/2015	Wu
D662,491 S	6/2012	Andre	D736,848 S	8/2015	Kim
D665,006 S *	8/2012	Green ..... D16/242	D739,407 S	9/2015	Son
D667,249 S	9/2012	London	D739,410 S	9/2015	Chun
D667,411 S	9/2012	Kim	9,131,195 B2	9/2015	Wengreen
8,261,954 B2	9/2012	Lee	D740,872 S	10/2015	Wada
D669,890 S	10/2012	Hopkins	D741,146 S	10/2015	Delrue
D670,704 S *	11/2012	Barker ..... D14/447	D742,387 S	11/2015	Xiang
8,303,357 B2	11/2012	Kuwahara	9,185,953 B2 *	11/2015	Whitten ..... A45C 11/00
D671,820 S	12/2012	Henderson	D746,599 S	1/2016	Olson
D671,950 S	12/2012	Richler	D748,099 S	1/2016	Heid
D672,308 S	12/2012	Cobbett	D748,615 S	2/2016	Lee
8,322,584 B2	12/2012	Dethmers	D749,549 S	2/2016	Wengreen
D675,208 S	1/2013	Petrick	D749,597 S	2/2016	Wengreen
D680,540 S	4/2013	Lee	D749,666 S	2/2016	Ahdoot
8,428,289 B2	4/2013	Wengreen	D750,633 S	3/2016	Minn
D684,979 S	6/2013	Chun	D751,563 S	3/2016	Wengreen
8,472,660 B2	6/2013	Wengreen	D752,415 S	3/2016	Lu
D685,798 S	7/2013	Weiss	D754,776 S *	4/2016	Bellows ..... D16/242
D685,804 S	7/2013	Richter	D757,521 S	5/2016	Rosner
D686,629 S	7/2013	Trinh	9,339,112 B2	5/2016	Wengreen
D688,253 S	8/2013	Cho	D759,005 S	6/2016	Murakami
D690,707 S	10/2013	Minn	D759,018 S	6/2016	Subramaniam
D691,988 S	10/2013	Warner	D761,236 S	7/2016	Wengreen
D692,013 S	10/2013	Crysell	D763,666 S	8/2016	Wengreen
8,544,805 B2	10/2013	Virgin	D763,835 S	8/2016	Wengreen
D694,228 S *	11/2013	Richter ..... D14/253	D765,063 S	8/2016	Wengreen
D695,298 S	12/2013	Han	D765,064 S	8/2016	Wengreen
D695,748 S	12/2013	Morris	D765,646 S	9/2016	Deng
D696,259 S	12/2013	Howarth	D765,651 S	9/2016	Liu
D696,672 S	12/2013	Brittain	D767,377 S	9/2016	Sekula
D697,515 S	1/2014	Adelman	D767,556 S	9/2016	Lee
D697,919 S	1/2014	Gelsomini	D767,973 S	10/2016	Dedios-Shirley
8,627,990 B2	1/2014	Nakajima	D770,171 S	11/2016	Lai
D700,832 S	3/2014	Ng	D771,760 S	11/2016	Riddiford
8,668,179 B2	3/2014	Corn	D772,217 S	11/2016	Alesi
D703,657 S	4/2014	Camevali	D773,325 S	12/2016	Browning
D705,229 S	5/2014	Wengreen	D773,465 S	12/2016	Palmer
D707,684 S	6/2014	Hill	D777,167 S	1/2017	Wengreen
8,757,461 B2	6/2014	Zanetti	9,543,082 B1	1/2017	Wengreen
D709,065 S	7/2014	Guyot	D778,105 S	2/2017	Coffey, Jr.
D710,340 S	8/2014	Wengreen	D778,714 S	2/2017	McSweyn
D710,363 S	8/2014	Wengreen	D779,466 S	2/2017	Wengreen
D710,836 S	8/2014	Wengreen	9,578,960 B1	2/2017	Kuan-Yen
D712,394 S	9/2014	Booth	D780,762 S	3/2017	Ju
			D784,438 S *	4/2017	Rondinelli ..... D16/242
			D784,978 S	4/2017	Hobbs
			D785,072 S *	4/2017	Taylor ..... D16/242

(56)

References Cited

U.S. PATENT DOCUMENTS

D791,215 S \* 7/2017 Schmidt ..... D16/202  
 D795,820 S 8/2017 Wengreen  
 9,735,558 B1 8/2017 Gretz  
 D797,546 S 9/2017 Saideh  
 D797,750 S 9/2017 Wengreen  
 D798,305 S 9/2017 Wengreen  
 D798,306 S 9/2017 Wengreen  
 D798,358 S 9/2017 Holbrook  
 D798,828 S 10/2017 Maloney  
 D800,700 S 10/2017 Bergman  
 D800,824 S 10/2017 Jacob  
 D801,413 S \* 10/2017 Martin ..... D16/242  
 D801,414 S 10/2017 Martin  
 D803,030 S 11/2017 Wengreen  
 D804,289 S 12/2017 Wengreen  
 D804,487 S 12/2017 Theis  
 D805,076 S 12/2017 Hong  
 D806,521 S 1/2018 Wengreen  
 D808,367 S 1/2018 Wengreen  
 9,861,580 B2 1/2018 Muetting et al.  
 D812,064 S 3/2018 Wengreen  
 D812,458 S \* 3/2018 Goto ..... D8/382  
 D813,241 S 3/2018 Wengreen  
 D823,841 S 7/2018 Marini  
 D824,399 S 7/2018 Wengreen  
 10,021,468 B2 7/2018 Wengreen  
 10,036,937 B1 7/2018 Wengreen  
 D824,851 S \* 8/2018 Antonetti ..... D13/108  
 D825,576 S 8/2018 Krupa  
 D825,642 S 8/2018 Maiwald  
 D825,643 S \* 8/2018 Wengreen ..... D16/242  
 D832,274 S 10/2018 Wengreen  
 D832,276 S \* 10/2018 Miles ..... D14/451  
 10,117,344 B2 10/2018 Wengreen  
 D832,858 S 11/2018 Wengreen  
 D834,029 S 11/2018 Wengreen  
 D834,583 S 11/2018 Janzen  
 D838,711 S \* 1/2019 Ingram ..... D14/252  
 D841,076 S \* 2/2019 Wengreen ..... D16/242  
 D841,630 S 2/2019 Mecchella  
 10,199,782 B1 2/2019 Wengreen  
 D846,624 S \* 4/2019 Balmer ..... D16/245  
 D849,687 S 5/2019 Dai  
 2003/0205651 A1 11/2003 Richter

2005/0023419 A1 2/2005 Frankel  
 2005/0211861 A1 9/2005 Lee  
 2005/0236541 A1 10/2005 Chang  
 2006/0224575 A1 10/2006 Ostojic  
 2007/0097617 A1 5/2007 Searby  
 2007/0235609 A1 10/2007 Chun  
 2007/0264169 A1 11/2007 Chen  
 2008/0078793 A1 4/2008 Brown  
 2008/0142499 A1 6/2008 Byrne  
 2009/0218454 A1 9/2009 Stanley  
 2009/0296997 A1 12/2009 Rocheford  
 2010/0270190 A1 10/2010 Howard  
 2010/0281671 A1 11/2010 De Vaan  
 2010/0288895 A1 11/2010 Shamie  
 2010/0314277 A1 12/2010 Murray  
 2011/0242439 A1 10/2011 Calderon  
 2011/0278885 A1 11/2011 Proctor  
 2012/0126081 A1 5/2012 Wengreen  
 2012/0127379 A1 5/2012 Wengreen  
 2012/0168516 A1 7/2012 Bolger  
 2012/0280014 A1 11/2012 Lopez-Apodaca  
 2012/0305868 A1 12/2012 Callahan  
 2012/0312950 A1 12/2012 Sears  
 2014/0061406 A1 3/2014 Chevalier  
 2014/0103179 A1 4/2014 Lipke  
 2014/0241705 A1 8/2014 Wengreen  
 2015/0070835 A1 3/2015 McLean  
 2015/0212544 A1 7/2015 Chen  
 2015/0305502 A1 10/2015 Wengreen  
 2016/0007735 A1 1/2016 Gallup  
 2016/0119458 A1 4/2016 Gunther  
 2016/0120295 A1 \* 5/2016 Rowley ..... A45F 5/00  
 248/346.06  
 2016/0218535 A1 7/2016 Prete  
 2016/0234955 A1 8/2016 Wengreen  
 2016/0241289 A1 8/2016 Wieth  
 2017/0150620 A1 5/2017 Wengreen  
 2017/0208945 A1 7/2017 Wengreen

OTHER PUBLICATIONS

TotalMount Hole-Free Mount for Amazon Cloud Cam, Amazon online, first review with picture posted Sep. 9, 2018, URL: <https://www.amazon.com/TotalMount-Hole-Free-Mount-Amazon-Eliminates/dp/B07FWFSP3Z/>, retrieved Sep. 10, 2019.\*

\* cited by examiner

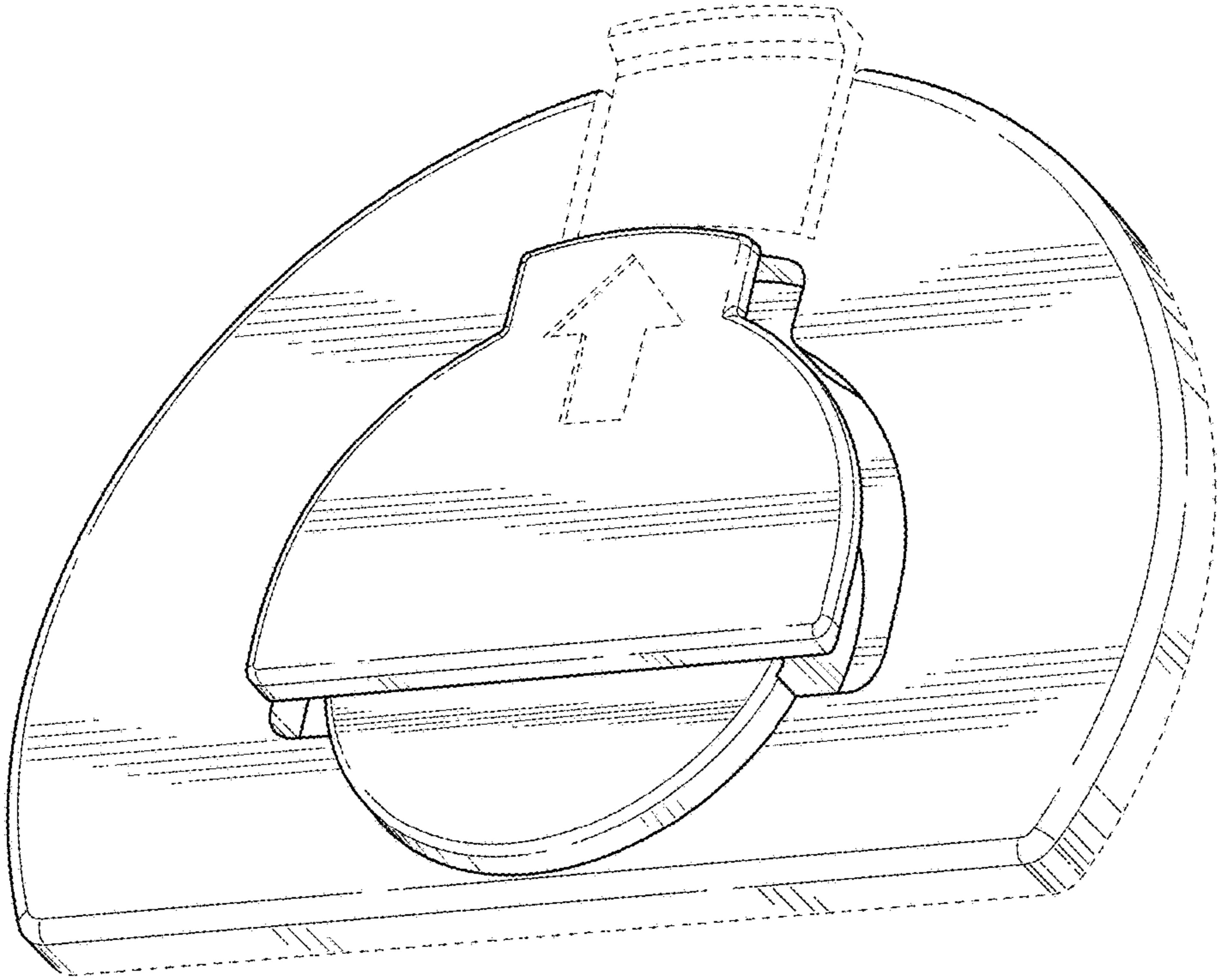


FIG. 1

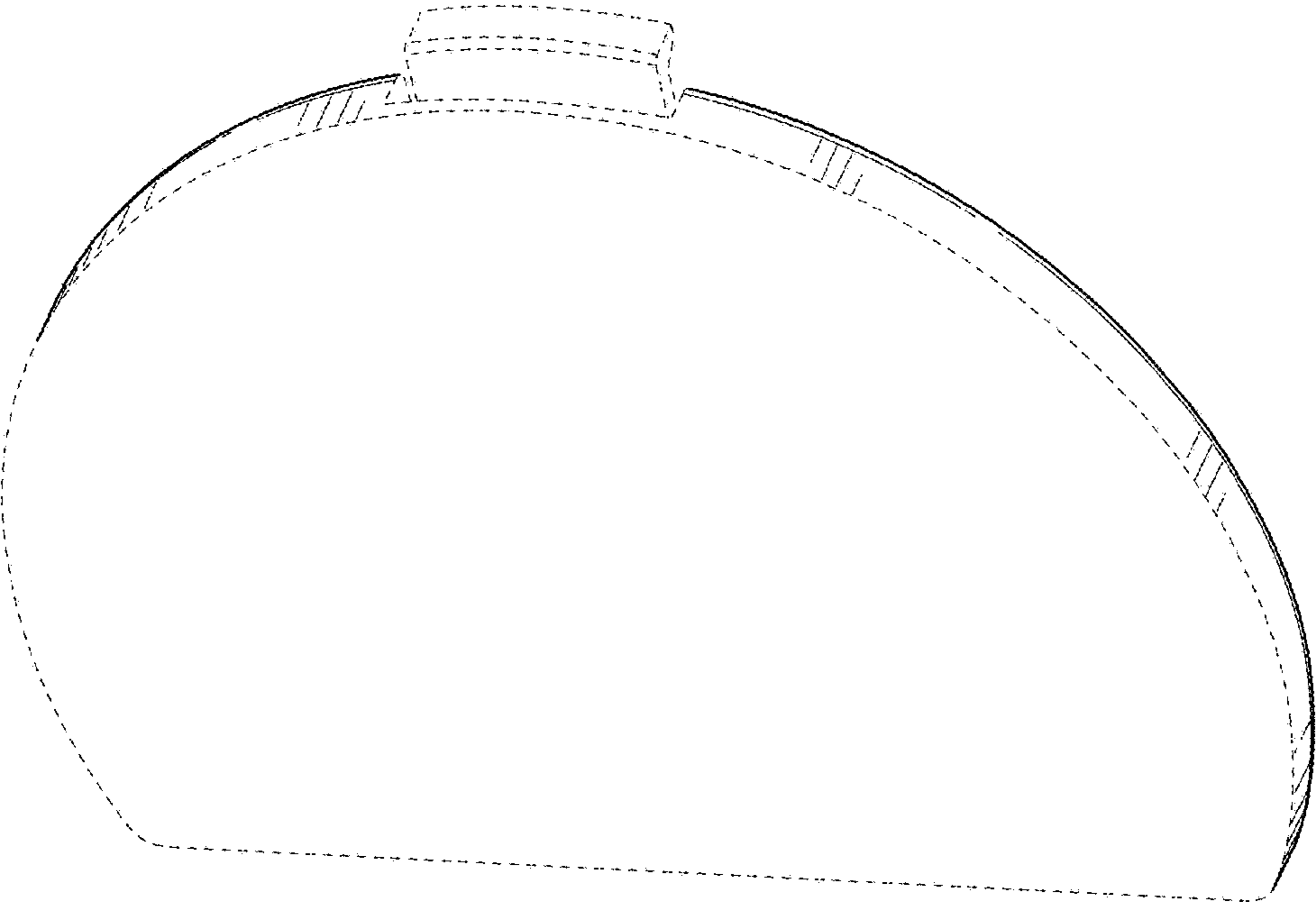


FIG. 2

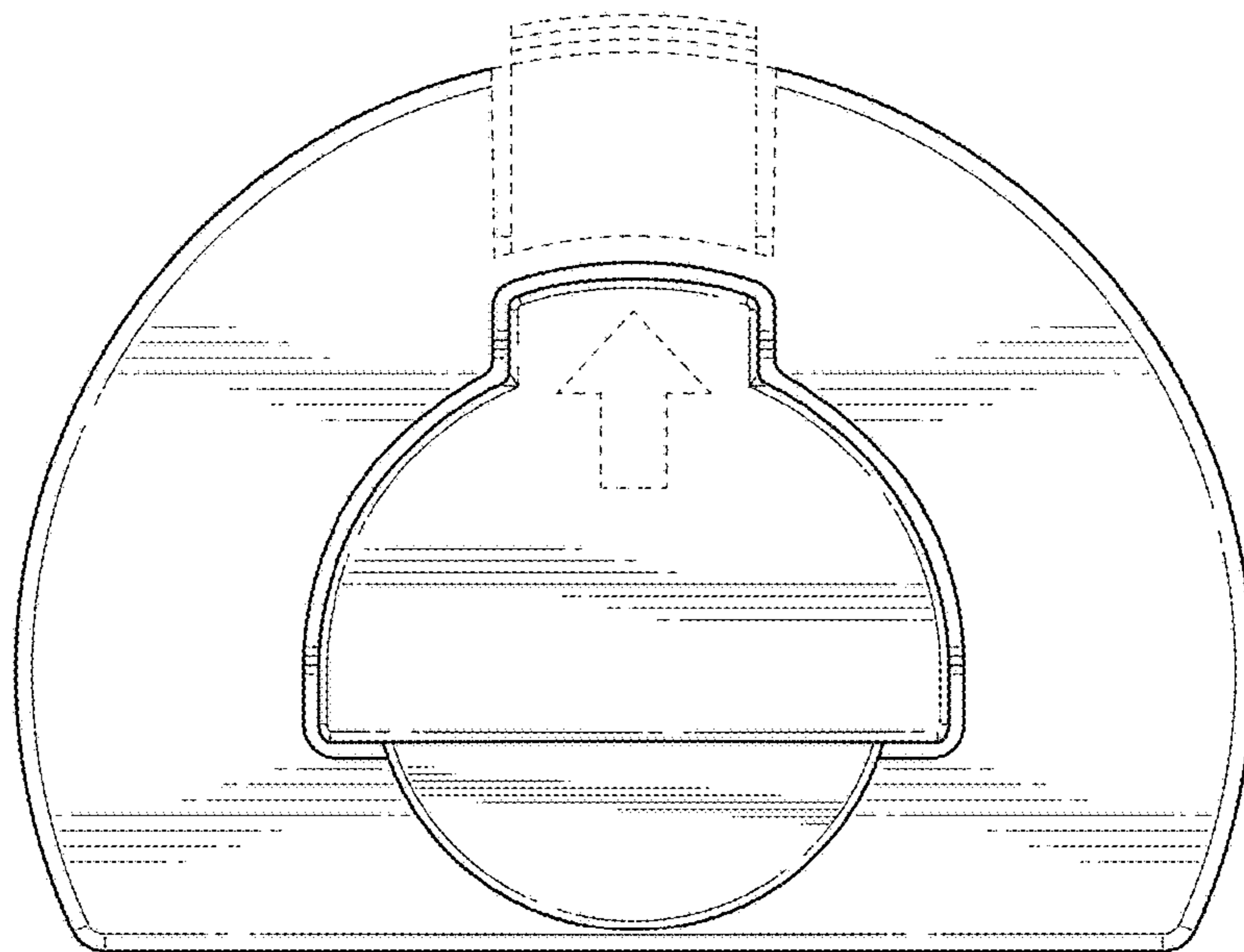


FIG. 3

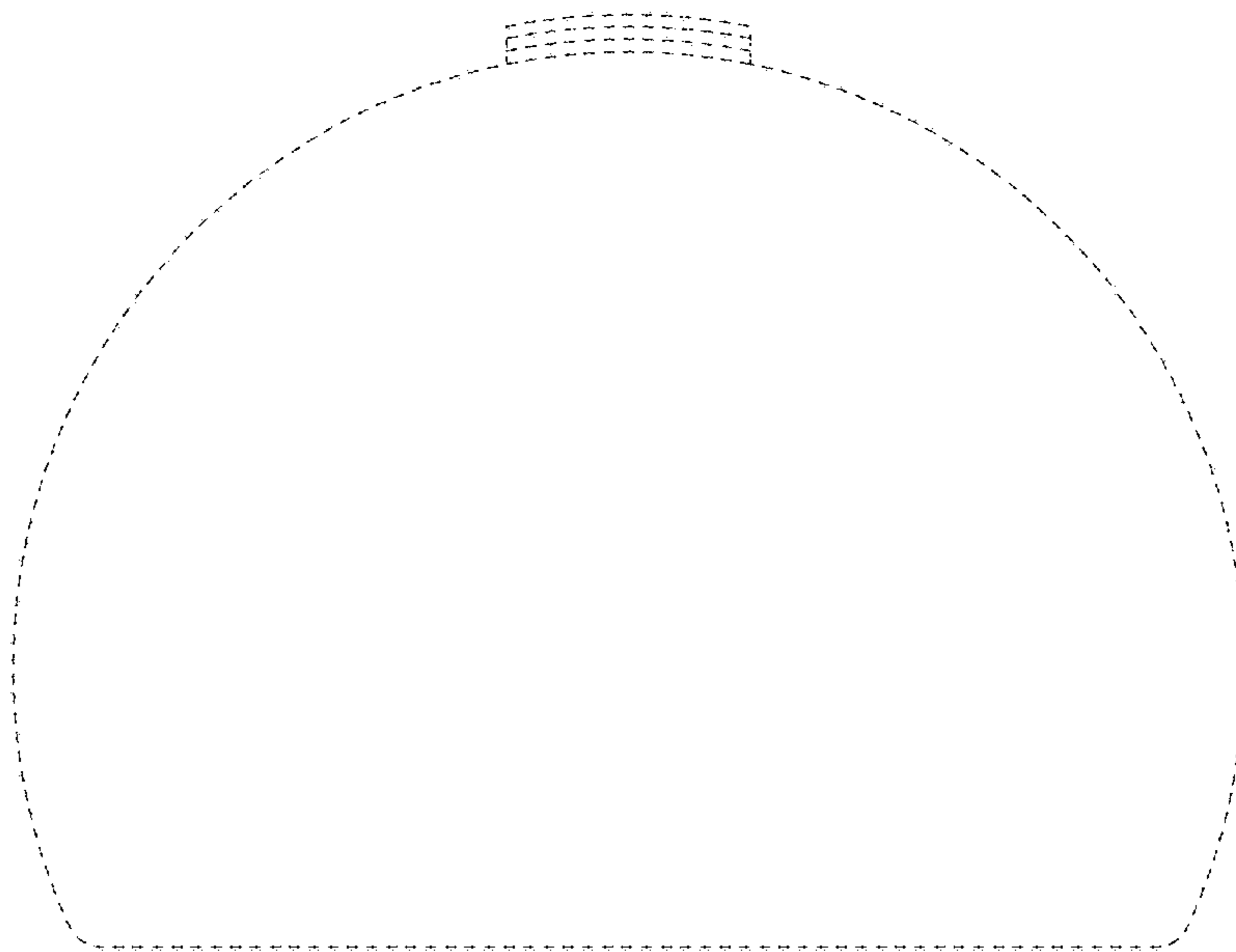


FIG. 4



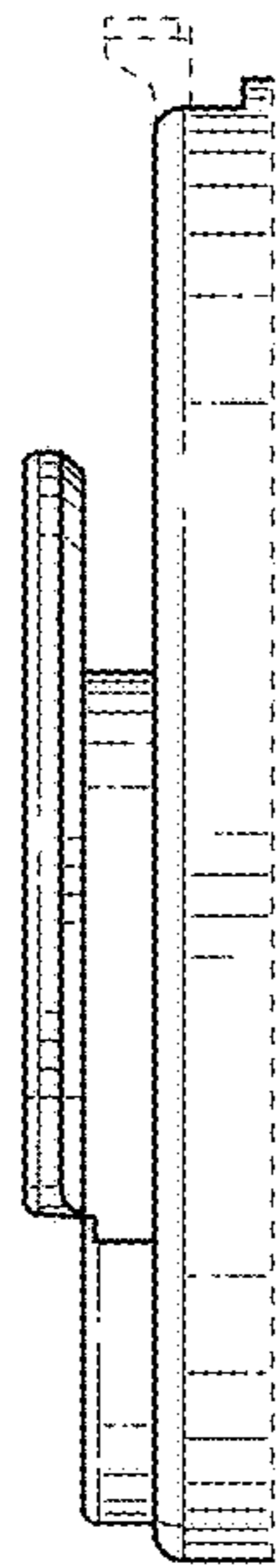


FIG. 5

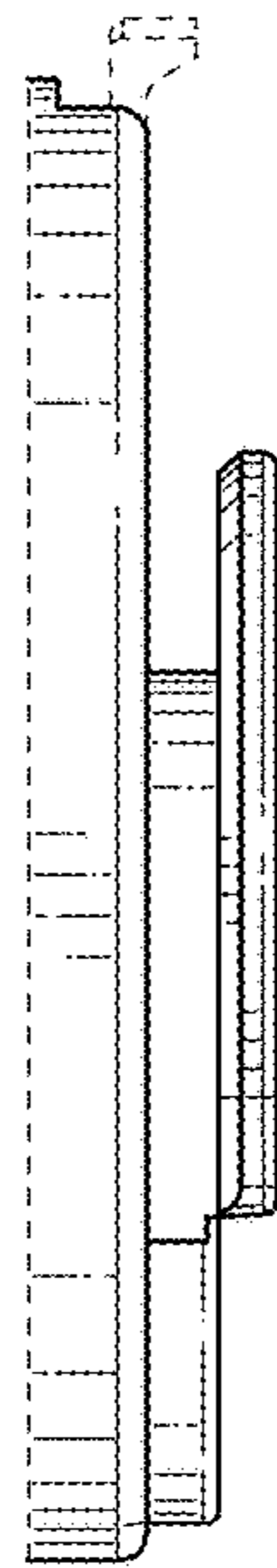


FIG. 6

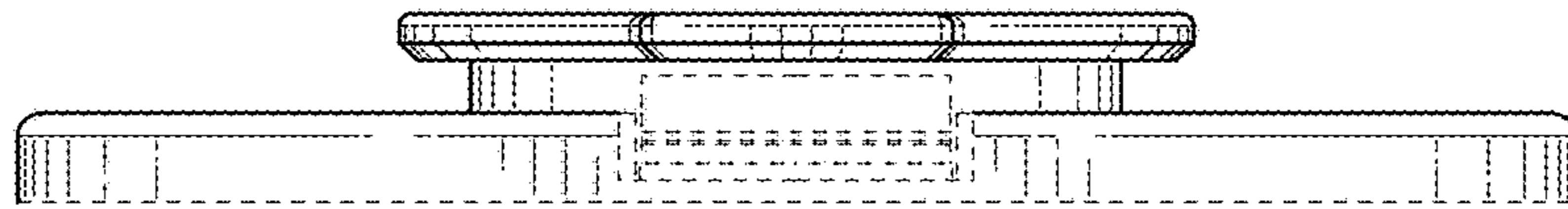


FIG. 7

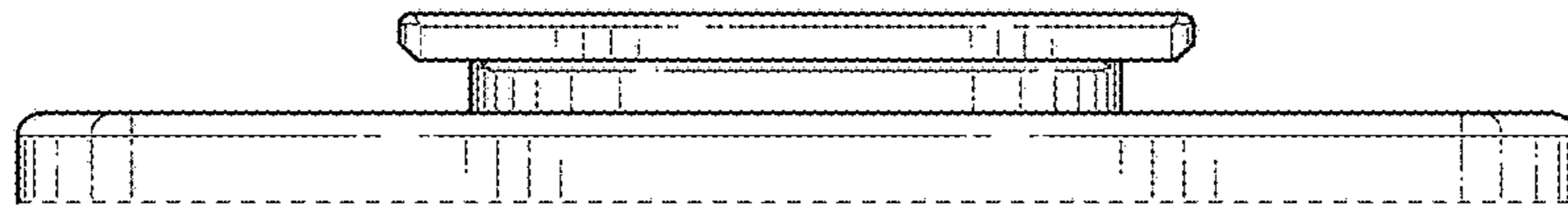


FIG. 8