

US00D867434S

(12) **United States Design Patent** (10) **Patent No.:** **US D867,434 S**
Fidler (45) **Date of Patent:** **** Nov. 19, 2019**

(54) **ILLUMINATING CAMERA MOUNT**

(71) Applicant: **Furrion Property Holding Limited**,
Hong Kong (HK)

(72) Inventor: **Matthew David Fidler**, Hong Kong
(HK)

(73) Assignee: **Furrion Property Holding Limited**,
Hong Kong (HK)

(**) Term: **15 Years**

(21) Appl. No.: **29/645,843**

(22) Filed: **Apr. 30, 2018**

(51) **LOC (12) Cl.** **16-05**

(52) **U.S. Cl.**
USPC **D16/242**

(58) **Field of Classification Search**

USPC D16/219, 237–250; D14/224, 229, 238,
D14/251, 253; D8/354, 355, 363, 373,
D8/382–383, 394–396

CPC F16M 11/06–10; F16M 11/14; G02B
7/00–002; G03B 17/56; G03B
17/561–568; H04N 5/2253–2254; A45F
2200/0508–0533; A45F 5/00; A45F 5/10

See application file for complete search history.

(56) **References Cited**

U.S. PATENT DOCUMENTS

D335,672 S *	5/1993	Leman	D14/251
D349,717 S *	8/1994	Akaike	D16/244
D402,993 S *	12/1998	James	D14/253
D468,733 S *	1/2003	Narducci	D14/253
D469,427 S *	1/2003	Ma	D14/253
D471,907 S *	3/2003	Peiker	D14/253
D472,896 S *	4/2003	Peiker	D14/253
D479,228 S *	9/2003	Sakaguchi	D14/253
D500,314 S *	12/2004	Lodato	D14/253
D656,932 S *	4/2012	Wikel	D12/415
D694,178 S *	11/2013	Bennett	D13/107

(Continued)

OTHER PUBLICATIONS

Vision S Side Cameras with Marker Lights. [online] Retrieved Apr. 3, 2019 from URL: <https://furrion.com/collections/cameras/products/vision-s-observation-system>.*

(Continued)

Primary Examiner — Vy N Koenig

(74) *Attorney, Agent, or Firm* — Faegre Baker Daniels
LLP

(57) **CLAIM**

The ornamental design for an illuminating camera mount, as shown and described.

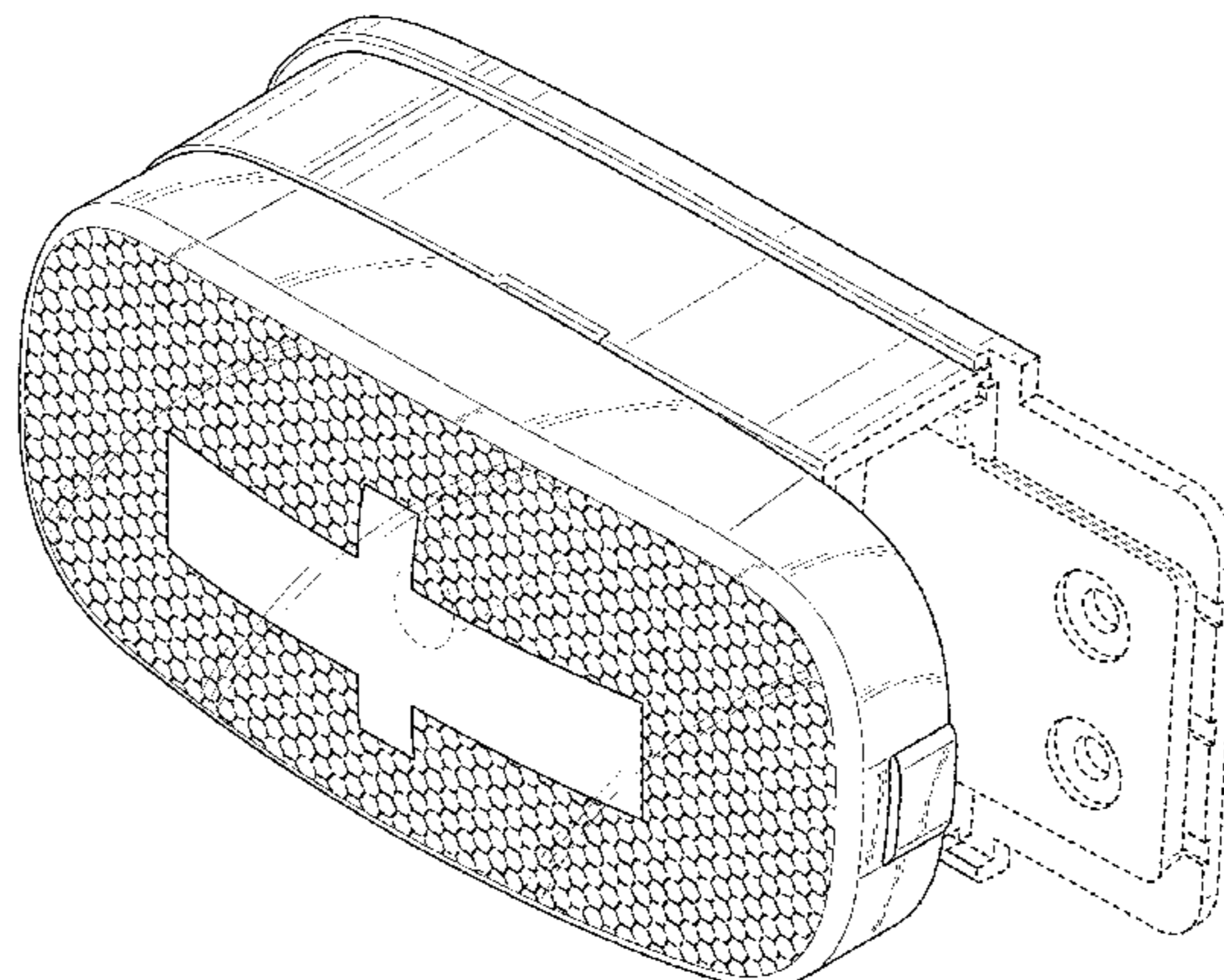
DESCRIPTION

FIG. 1 is a front perspective view of a first embodiment of an illuminating camera mount illustrating my new design; FIG. 2 is a front view of the first embodiment of FIG. 1; FIG. 3 is a rear view of the first embodiment of FIG. 1; FIG. 4 is a left side view of the first embodiment of FIG. 1; FIG. 5 is a right side view of the first embodiment of FIG. 1; FIG. 6 is a top view of the first embodiment of FIG. 1; FIG. 7 is a bottom view of the first embodiment of FIG. 1; and, FIG. 8 is a front view of the first embodiment of FIG. 1 coupled to an optional camera.

In FIGS. 1-8, evenly-spaced broken lines illustrate features that form no part of the claimed design. In FIG. 3, the long-short-short broken line illustrates a boundary of the claimed design; the boundary forms no part of the claimed design. In FIG. 8, long-short broken lines illustrate an optional environment of a camera that forms no part of the claimed design.

A second embodiment of an illuminating camera mount is a mirror image of the first embodiment of FIGS. 1-8.

1 Claim, 8 Drawing Sheets



(56)

References Cited

U.S. PATENT DOCUMENTS

D712,956 S	*	9/2014	Li	D16/239
D797,602 S	*	9/2017	Li	D12/16.1
D835,081 S	*	12/2018	Luo	D14/229
D841,641 S	*	2/2019	Huang	D14/253
D841,642 S	*	2/2019	Eslava	D14/253

OTHER PUBLICATIONS

Rectangular LED Truck and Trailer Lights. [online] Published Apr. 10, 2014. Retrieved Apr. 25, 2018 from URL: <https://www.superbrightleds.com/moreinfo/marker-clearance/rectangle-led-truck-and-trailer-lights-4-double-bullseye-led-side-clearance-lights-w-12-high-flux-leds-pigtail-connector/596/>.*

“Camera Mount,” Design U.S. Appl. No. 29/645,836, filed Apr. 30, 2018 under the applicant Furrion Holding Limited, 9 pages.

“Camera Mounting Interface,” Design U.S. Appl. No. 29/645,846, filed Apr. 30, 2018 under the applicant Furrion Property Holding Limited, 8 pages.

“Camera,” Design U.S. Appl. No. 29/645,827, filed Apr. 30, 2018 under the applicant Furrion Property Holding Limited, 8 pages.

“Camera,” Design U.S. Appl. No. 29/645,833, filed Apr. 30, 2018 under the applicant Furrion Property Holding Limited, 9 pages.

* cited by examiner

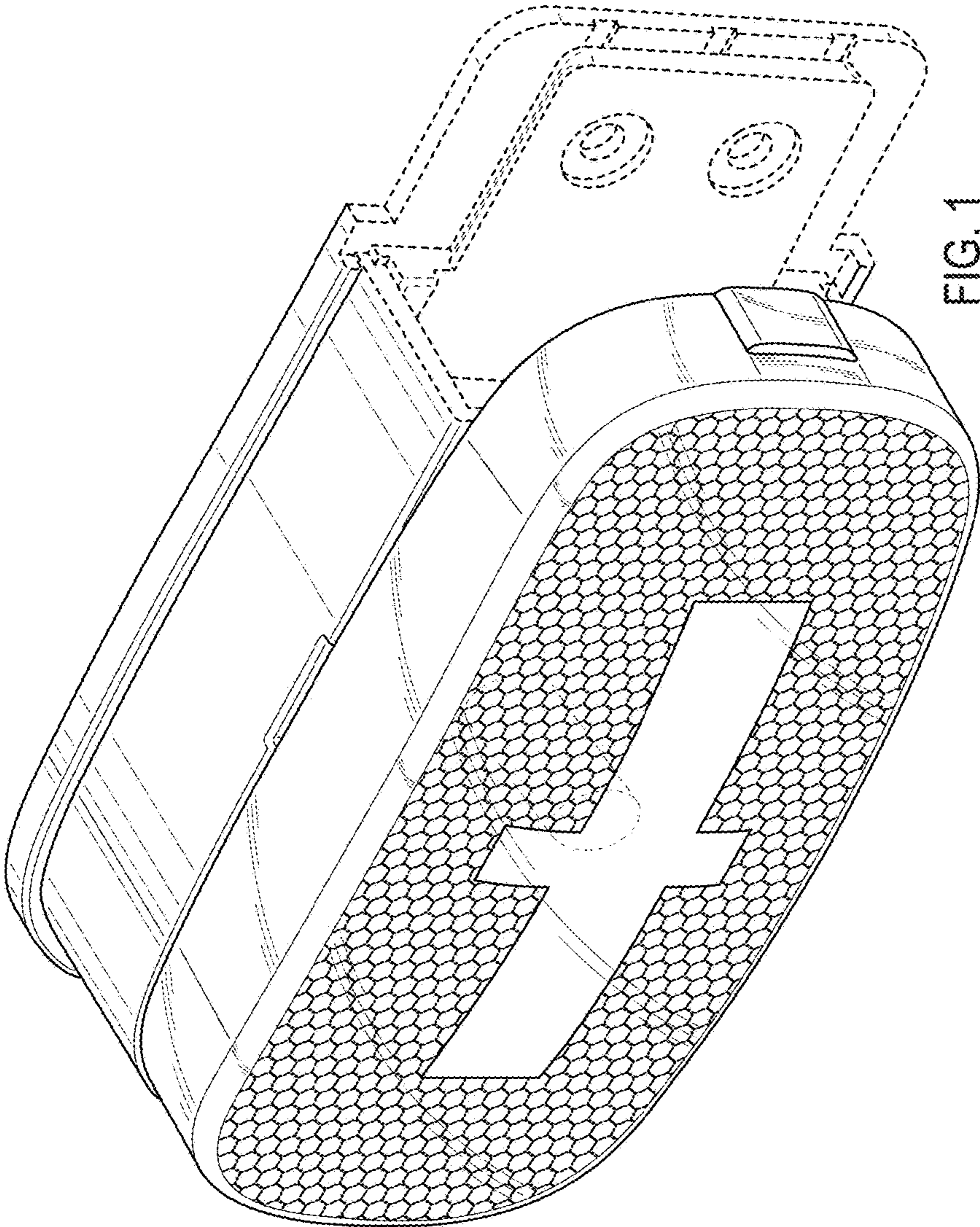


FIG. 1

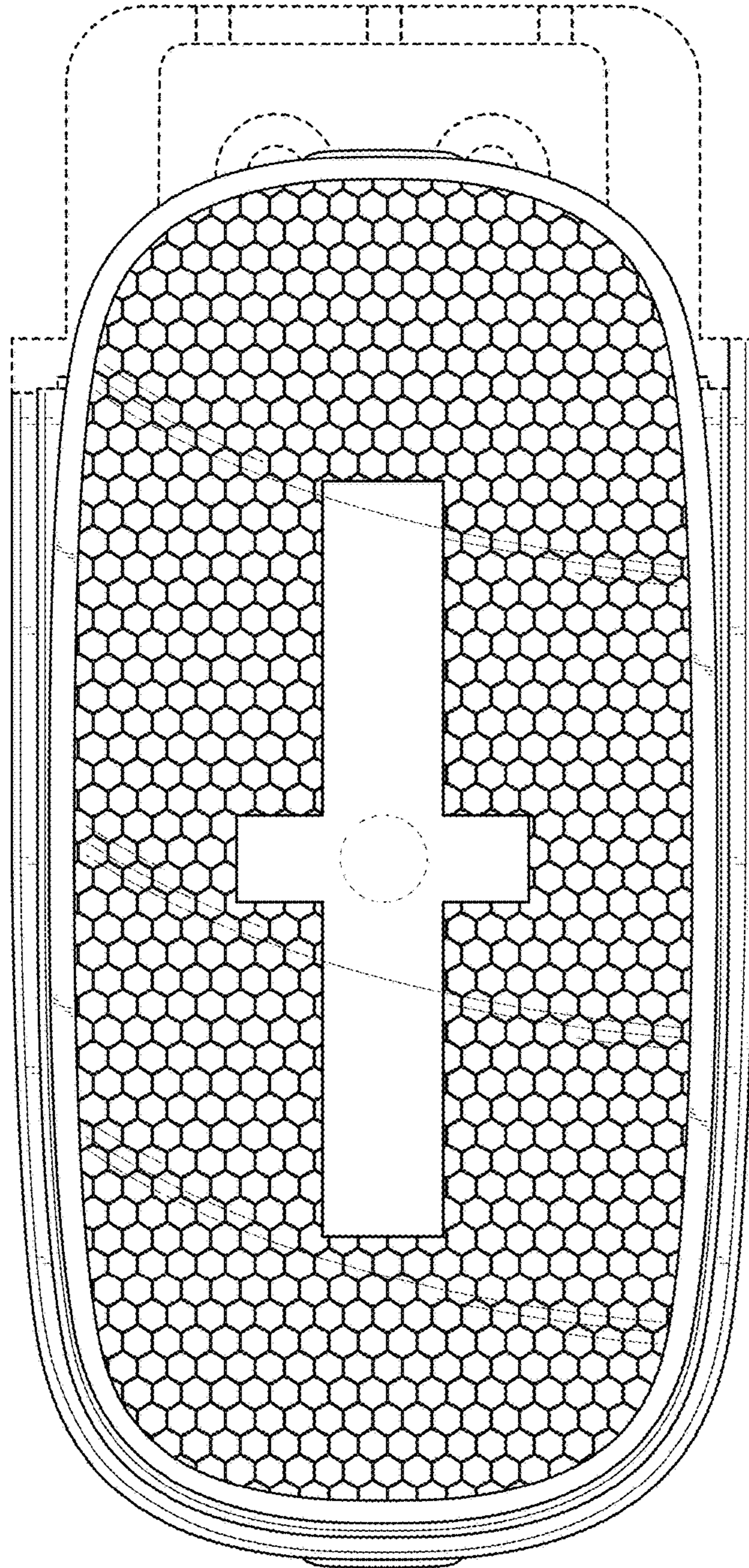


FIG. 2

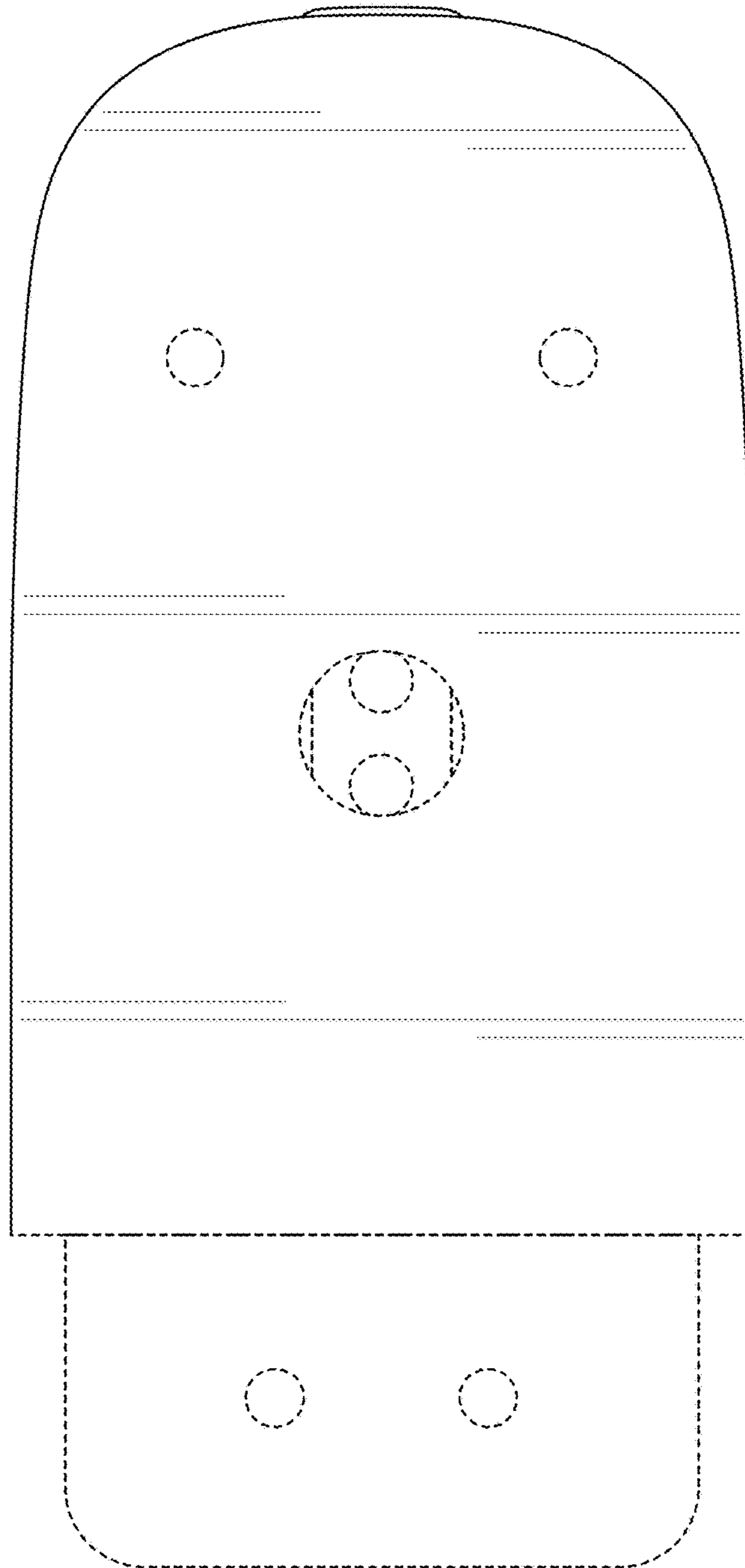


FIG. 3

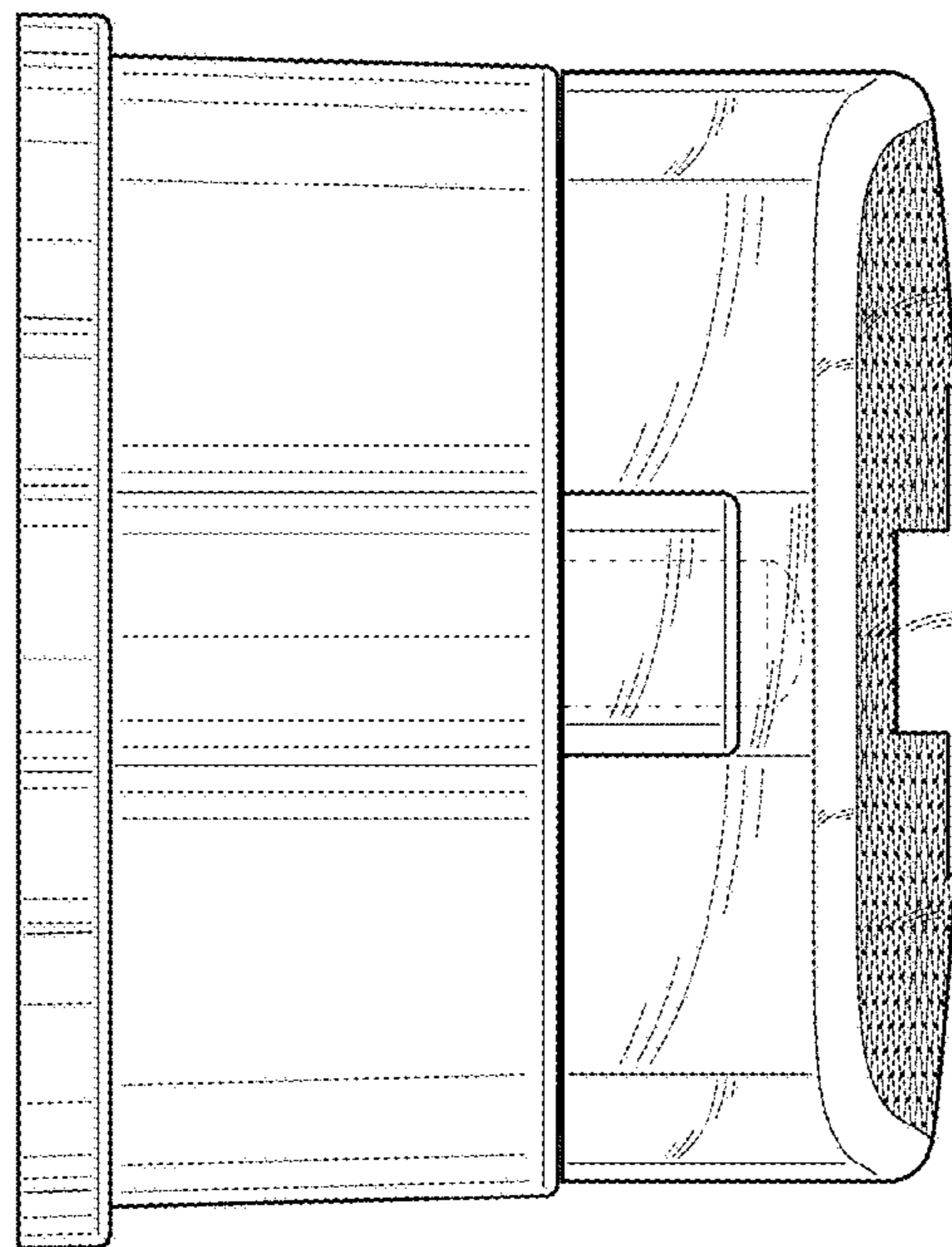


FIG. 4

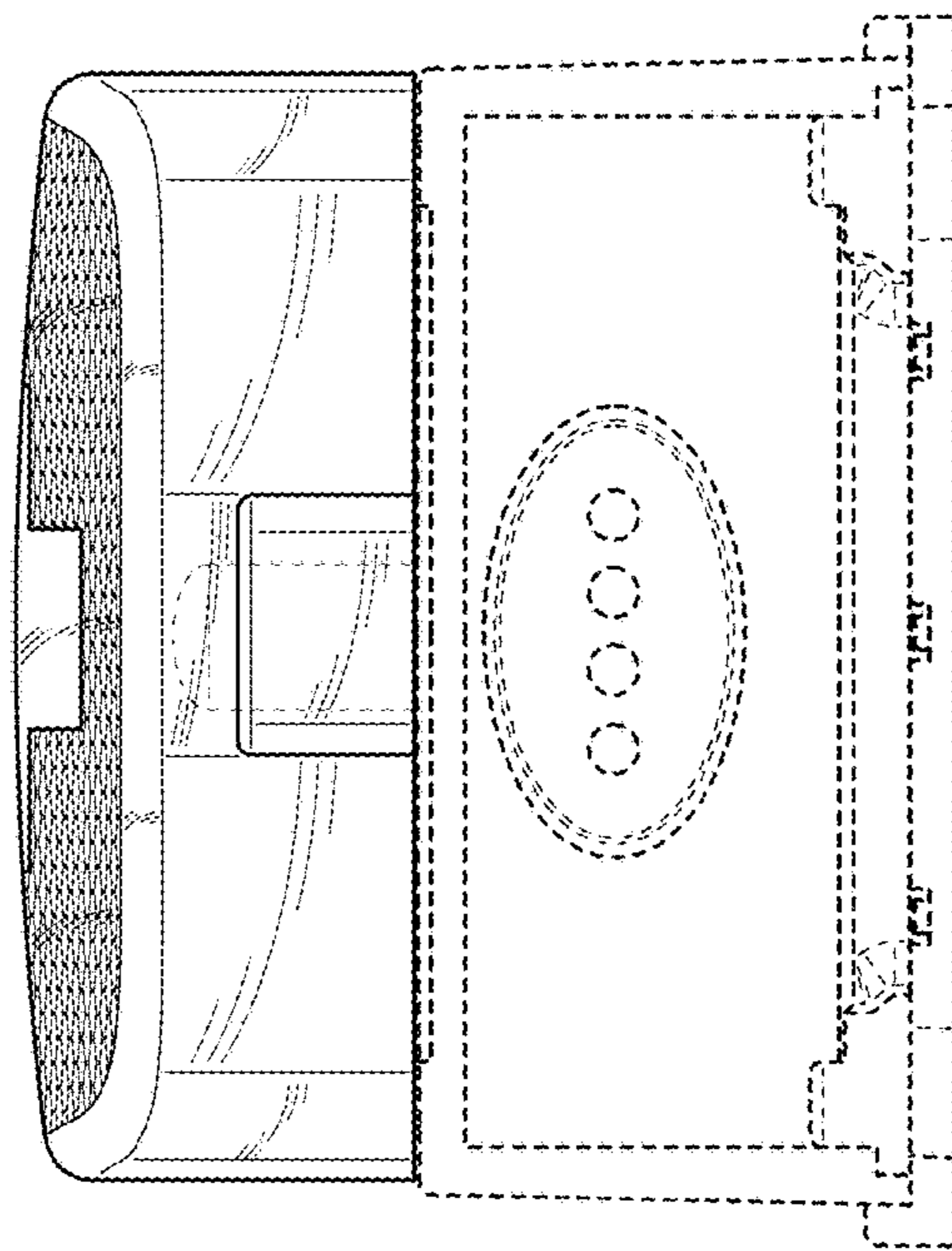


FIG. 5

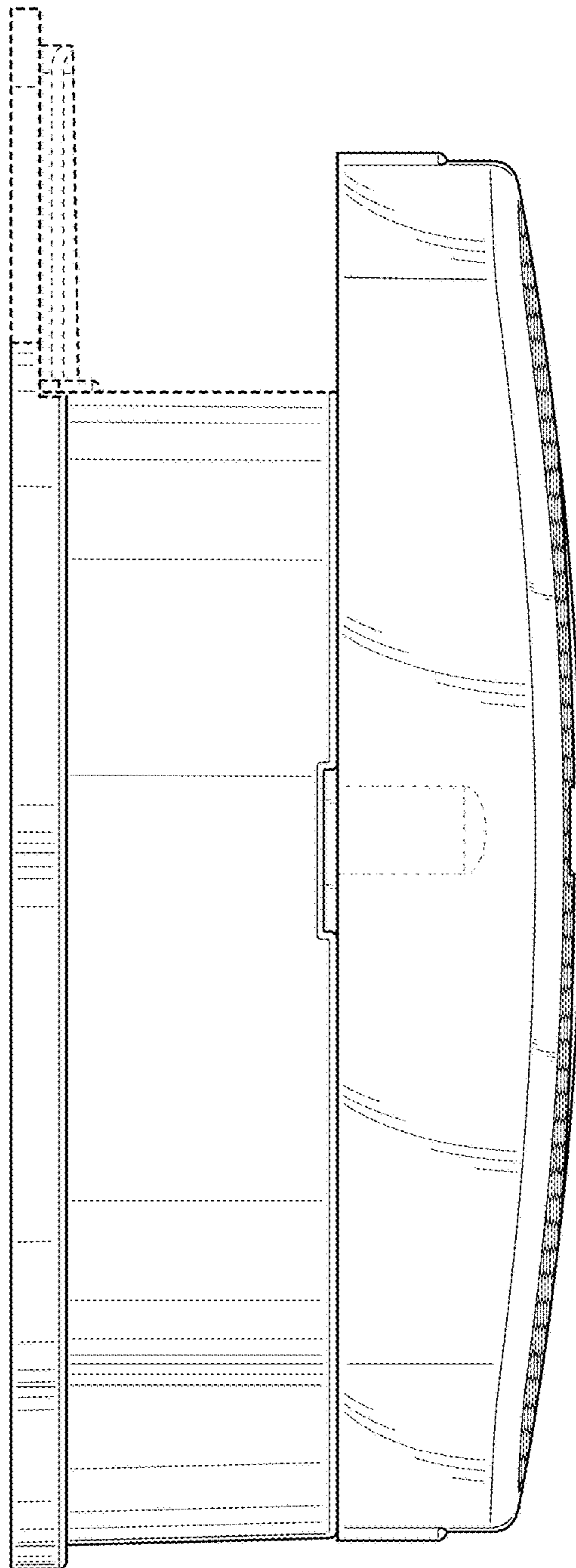


FIG. 6

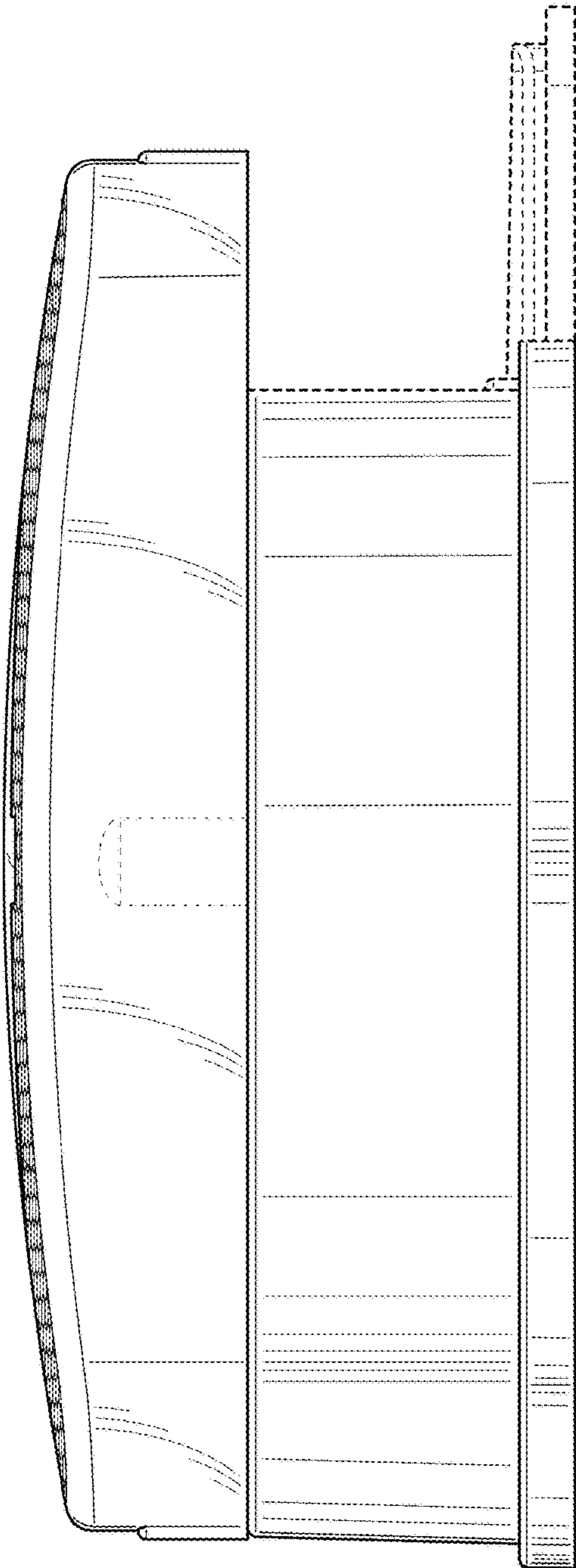


FIG. 7

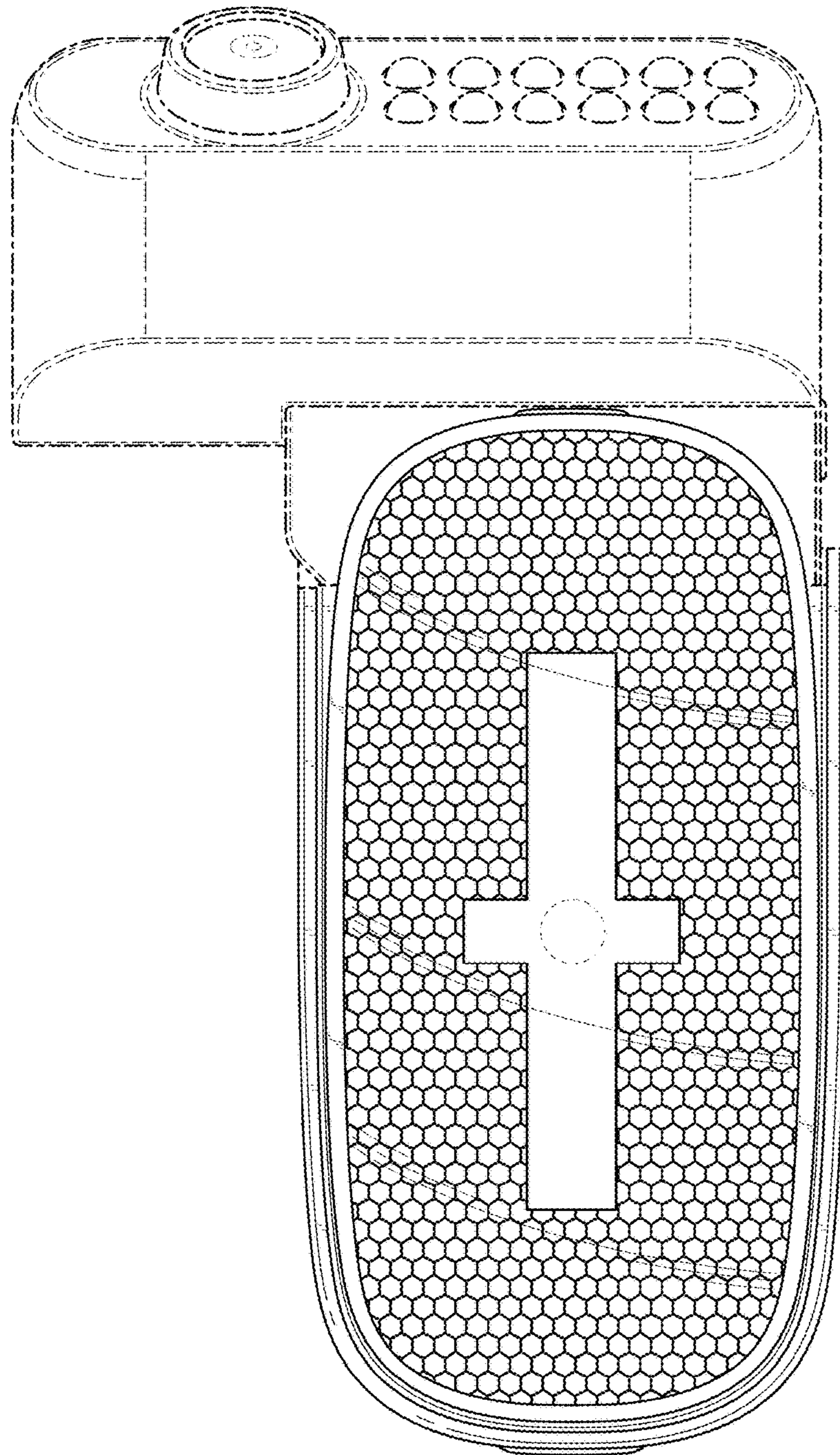


FIG. 8