



US00D867433S

(12) **United States Design Patent** (10) **Patent No.:** **US D867,433 S**
Gustafson et al. (45) **Date of Patent:** **** Nov. 19, 2019**

(54) **COMPACT CORDLESS MOTORIZED SHADE OR SCREEN**

(71) Applicant: **US Screen Corporation**, Austin, TX (US)

(72) Inventors: **Ryan Gustafson**, Austin, TX (US); **Thomas Cooley**, Austin, TX (US)

(73) Assignee: **US Screen Corporation**, Austin, TX (US)

(**) Term: **15 Years**

(21) Appl. No.: **29/616,330**

(22) Filed: **Sep. 5, 2017**

(51) **LOC (12) Cl.** **16-05**

(52) **U.S. Cl.**
USPC **D16/241**

(58) **Field of Classification Search**
USPC D16/219, 237-250; D14/224, 229, 238, D14/251, 253, 447, 451, 457; D8/354, (Continued)

(56) **References Cited**

U.S. PATENT DOCUMENTS

D548,765 S 8/2007 Kotera et al.
D594,894 S * 6/2009 Adams D16/241 (Continued)

Primary Examiner — Vy N Koenig

(74) *Attorney, Agent, or Firm* — Matthew J. Booth PC; Matthew J. Booth

(57) **CLAIM**

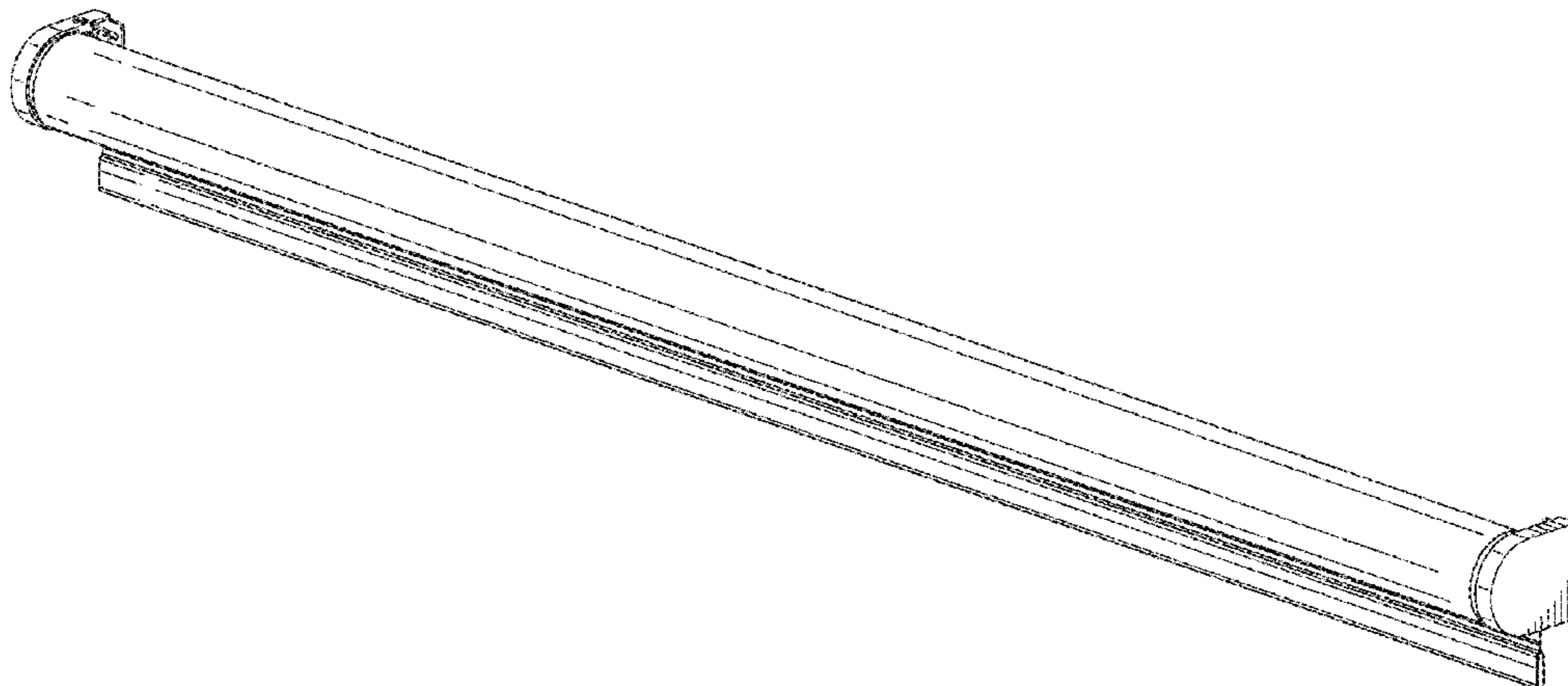
The ornamental design for a compact cordless motorized shade or screen, as shown and described.

DESCRIPTION

FIG. 1 is a front view of a compact cordless motorized shade or screen showing the new design.

FIG. 2 is a rear view of FIG. 1.
FIG. 3 is a top view of FIG. 1.
FIG. 4 is a bottom view of FIG. 1.
FIG. 5 is a first side view of FIG. 1.
FIG. 6 is a second side view of FIG. 1.
FIG. 7 is a top perspective view of FIG. 1.
FIG. 8 is a bottom perspective view of FIG. 1.
FIG. 9 is an enlarged front view of one end cap of the compact cordless motorized shade or screen of FIG. 1, shown separately to show aspects of the design that may not be apparent in the other views.
FIG. 10 is a back view of the end cap shown in FIG. 9.
FIG. 11 is a top view of the end cap shown in FIG. 9.
FIG. 12 is a bottom view of the end cap shown in FIG. 9.
FIG. 13 is a first side view of the end cap shown in FIG. 9.
FIG. 14 is a second side view of the end cap shown in FIG. 9.
FIG. 15 is a first perspective view of the end cap shown in FIG. 9.
FIG. 16 is a second perspective view of the end cap shown in FIG. 9.
FIG. 17 is an enlarged front of the other end cap of the compact cordless motorized shade or screen of FIG. 1, shown separately to show aspects of the design that may not be apparent in the other views.
FIG. 18 is a back view of the end cap shown in FIG. 17.
FIG. 19 is a top view of the end cap shown in FIG. 17.
FIG. 20 is a bottom view of the end cap shown in FIG. 17.
FIG. 21 is a first side view of the end cap shown in FIG. 17.
FIG. 22 is a second side view of the end cap shown in FIG. 17.
FIG. 23 is a first perspective view of the end cap shown in FIG. 17; and,
FIG. 24 is a second perspective view of the end cap shown in FIG. 17.
The broken lines shown in the drawings depict environmental subject matter only and form no part of the claimed design.

1 Claim, 10 Drawing Sheets



US D867,433 S

Page 2

(58) **Field of Classification Search**

USPC D8/355, 363, 373, 382, 383, 394, 395,
D8/396; D20/10-11
CPC A45F 5/00; F16M 11/06-10; G02B
7/00-002; G03B 17/56; G03B 17/561;
G03B 17/563; G03B 17/565; G03B
17/566; G03B 17/568; H04N
5/2253-2254

See application file for complete search history.

(56) **References Cited**

U.S. PATENT DOCUMENTS

D602,973 S * 10/2009 Adams D16/241
D614,225 S 4/2010 Adams et al.
8,376,581 B2 * 2/2013 Auld G09F 9/33
340/815.45
8,944,132 B1 * 2/2015 Floyd A47G 5/02
160/23.1

D781,258 S * 3/2017 Kim D14/126
D792,821 S * 7/2017 Greger D12/183
D815,611 S * 4/2018 Shin D14/129
2005/0039861 A1 * 2/2005 Faludy E04F 10/0666
160/66
2007/0241002 A1 * 10/2007 Wu G06F 1/1601
206/150
2009/0122400 A1 * 5/2009 Adams G03B 21/56
359/461
2012/0140318 A1 * 6/2012 Wang G03B 21/58
359/443
2014/0041814 A1 * 2/2014 Roberts A47H 5/03
160/271
2014/0251553 A1 * 9/2014 Famtrog E06L 39/52
160/99
2016/0374228 A1 * 12/2016 Park G09F 9/301
2017/0196102 A1 * 7/2017 Shin G01R 33/072
2018/0126245 A1 * 5/2018 Lennon A63B 71/022
2018/0148974 A1 * 5/2018 Roberts E05D 15/0691
2018/0244141 A1 * 8/2018 Mathiasen B62D 25/182

* cited by examiner

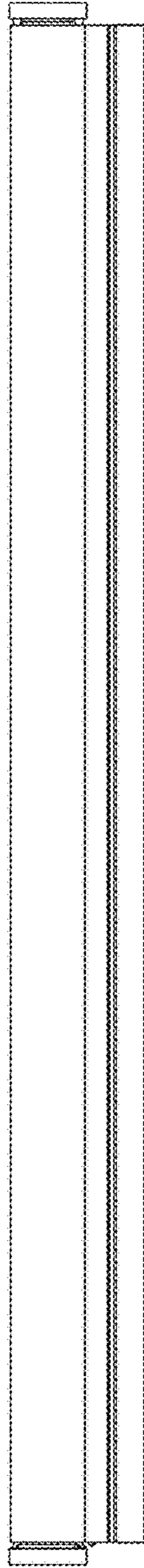


FIG. 1

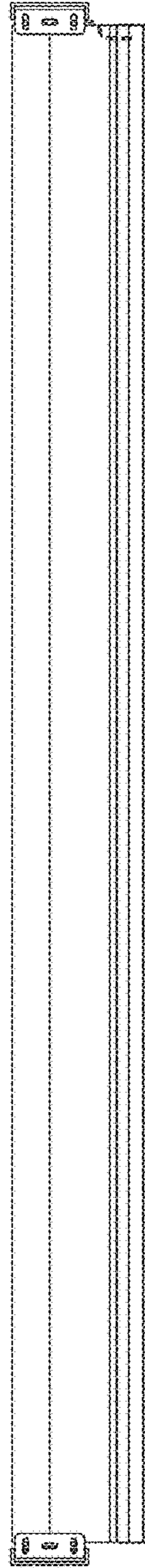


FIG. 2

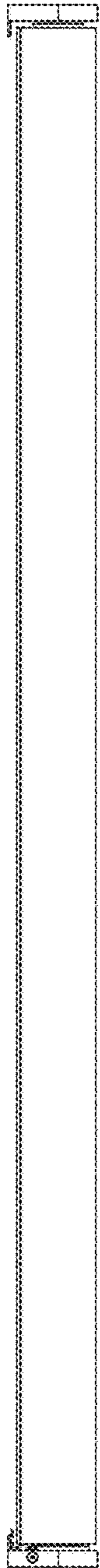


FIG. 3

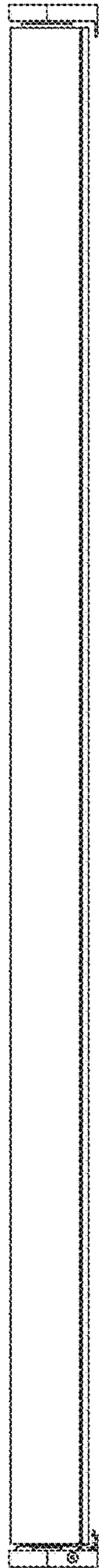


FIG. 4

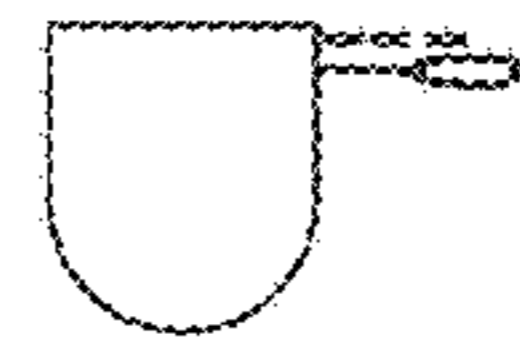


FIG. 6



FIG. 5

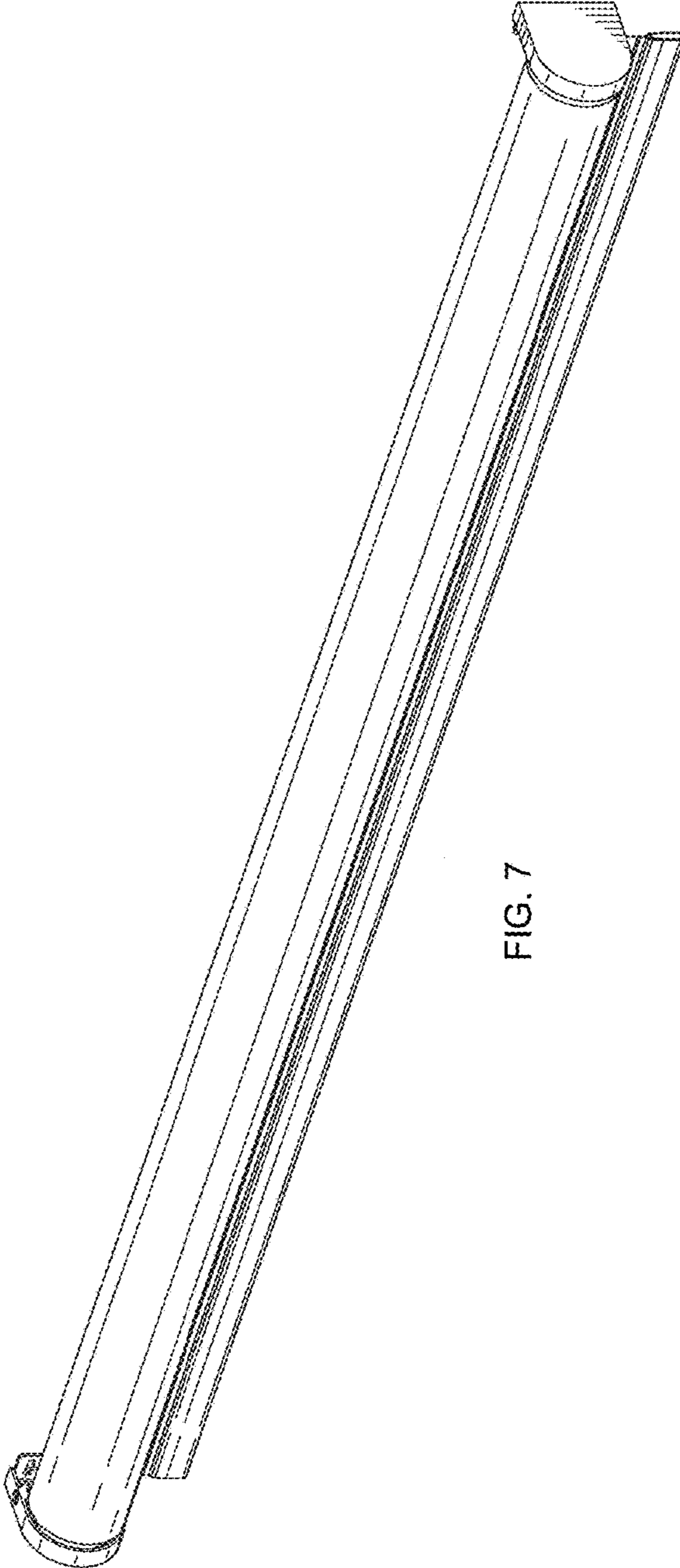


FIG. 7

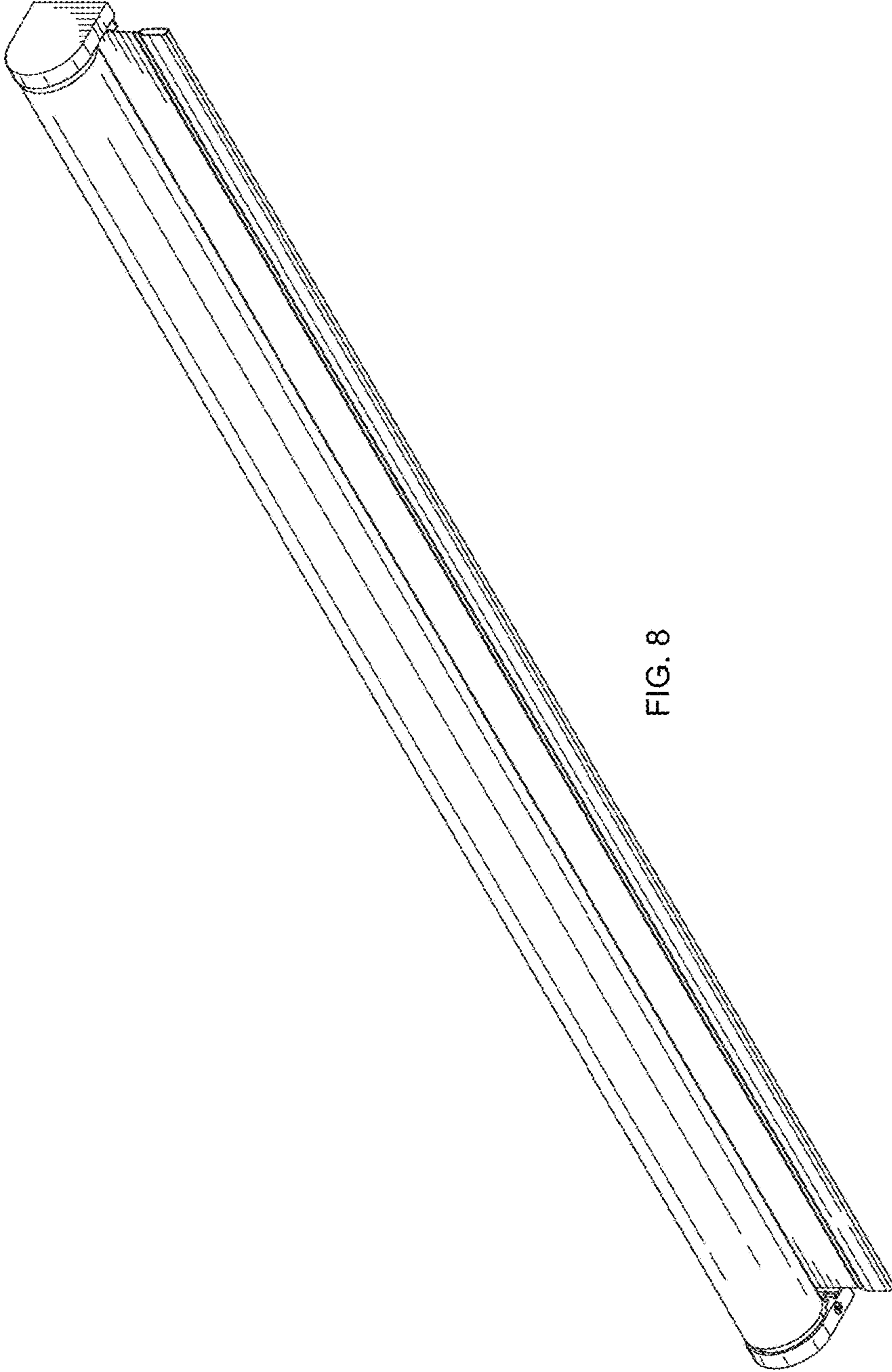


FIG. 8

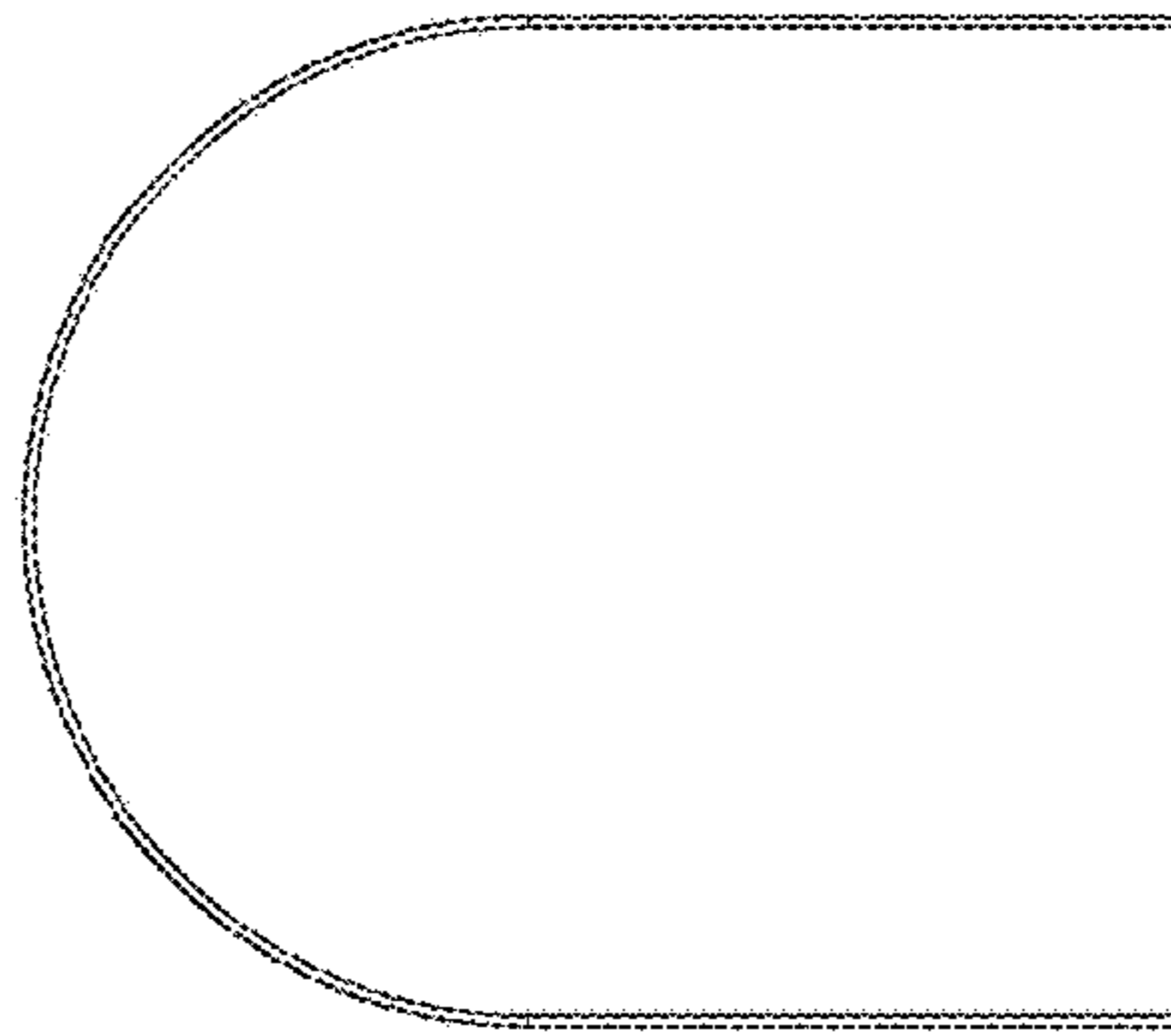


FIG. 9

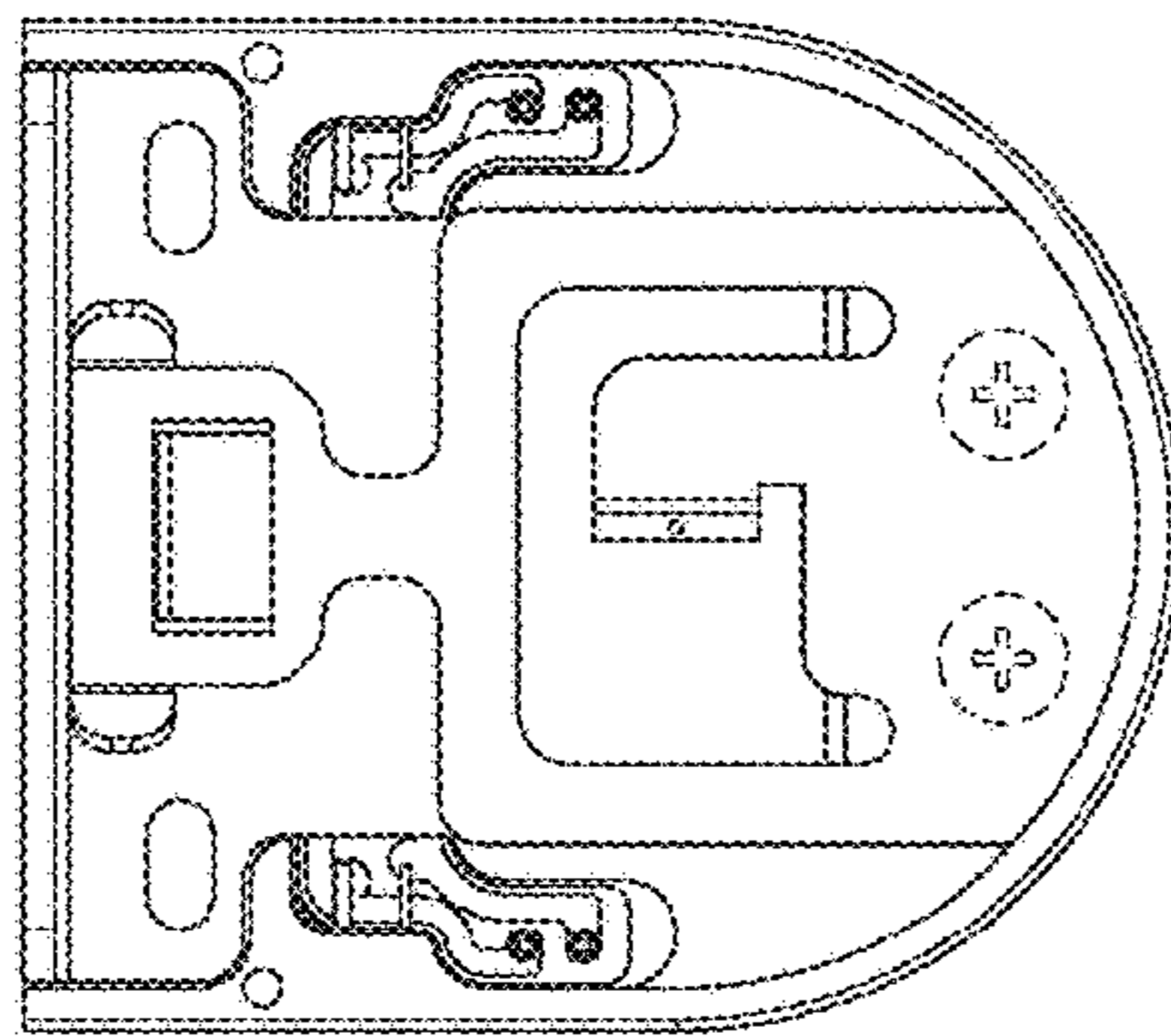


FIG. 10

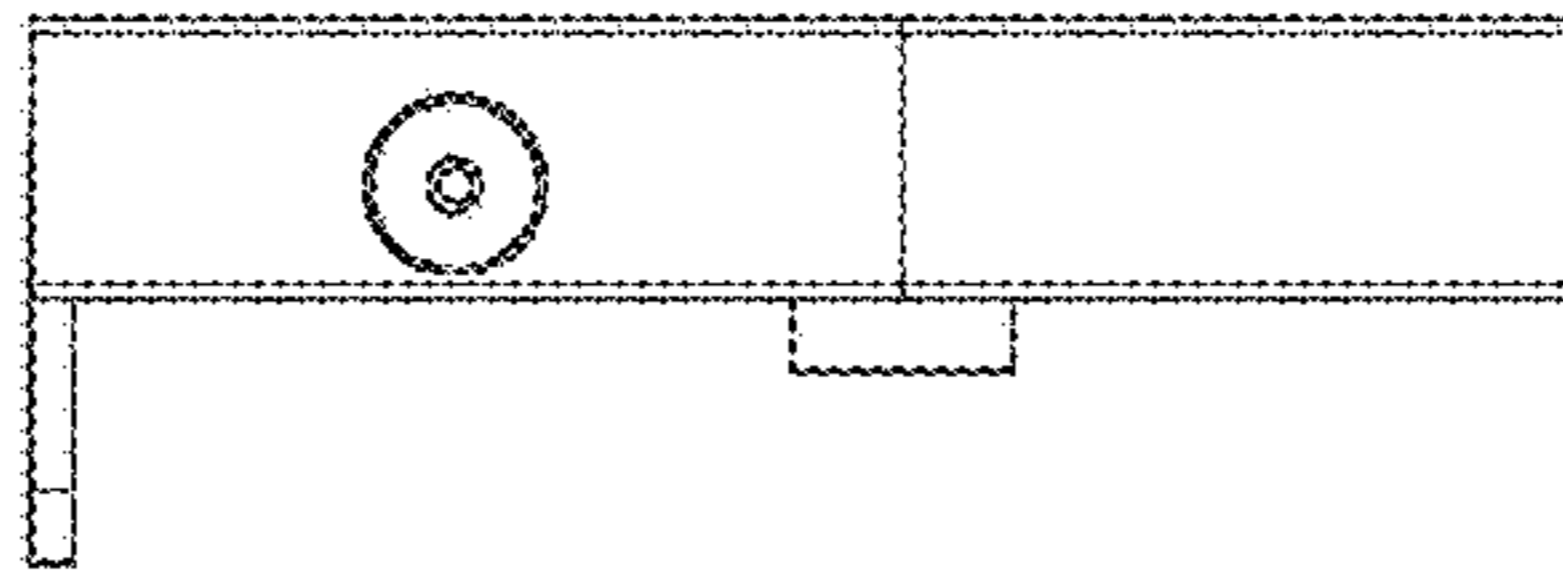


FIG. 11

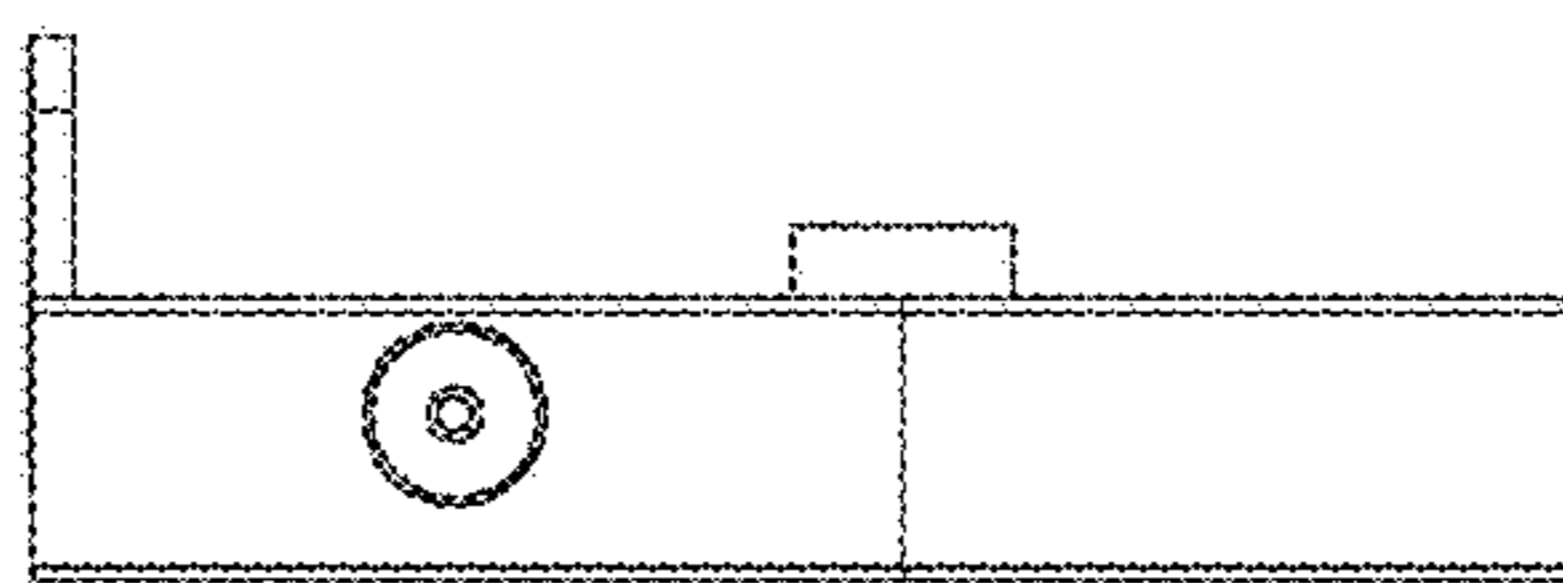


FIG. 12

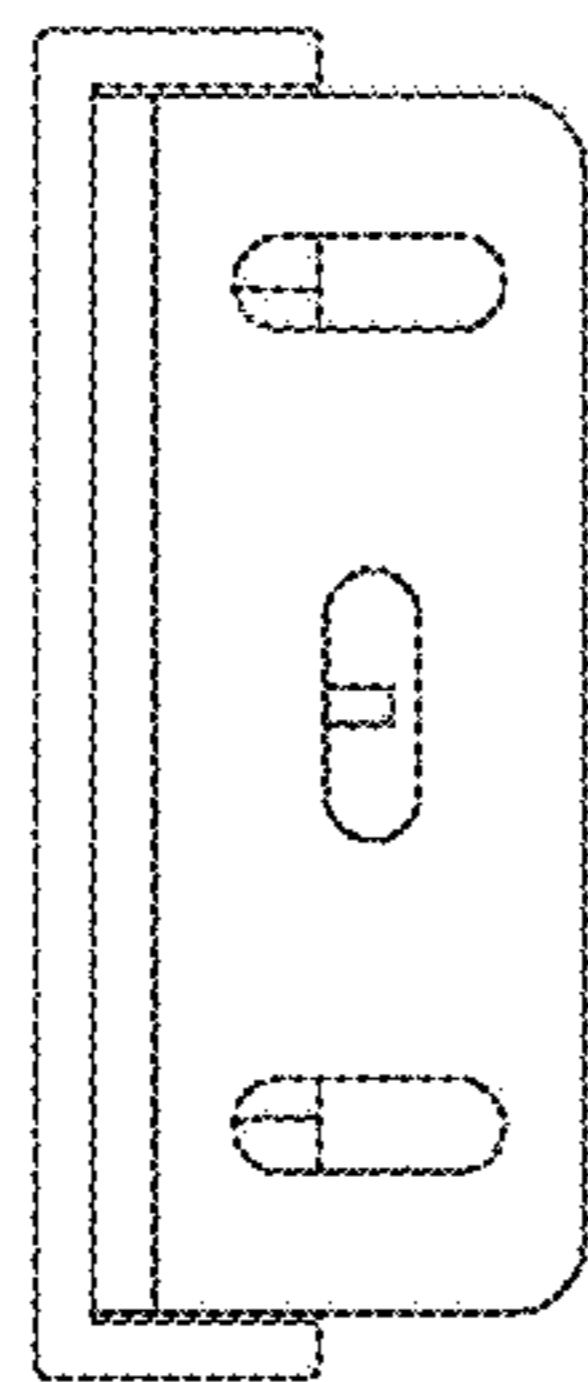


FIG. 13

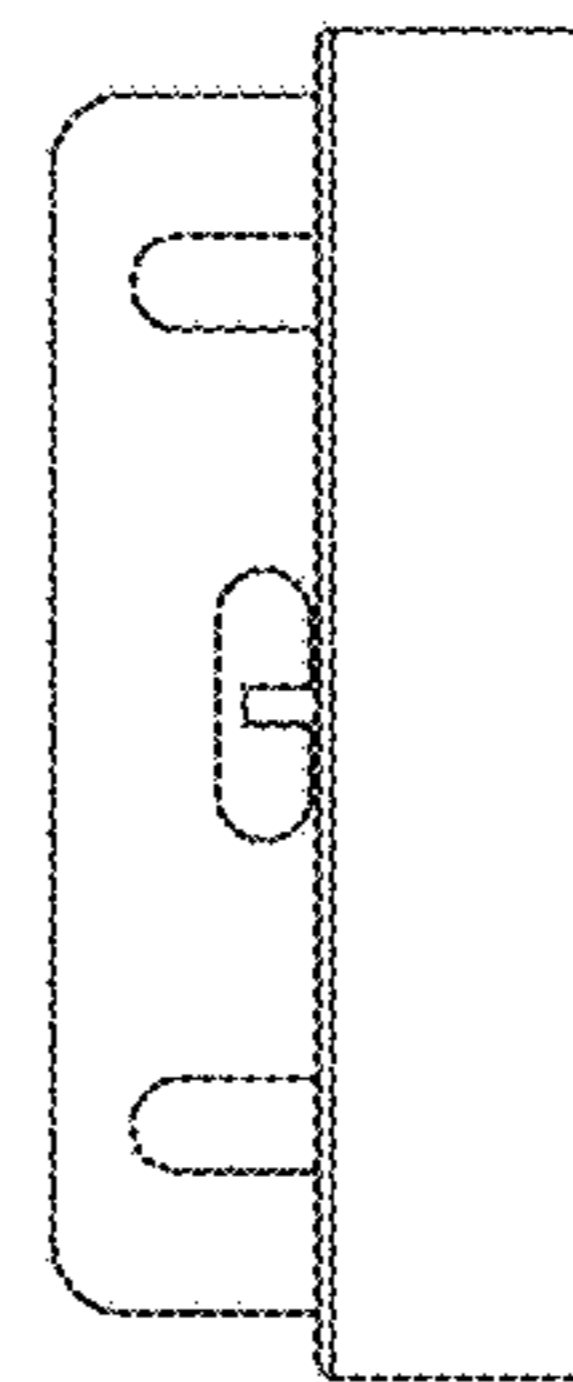


FIG. 14

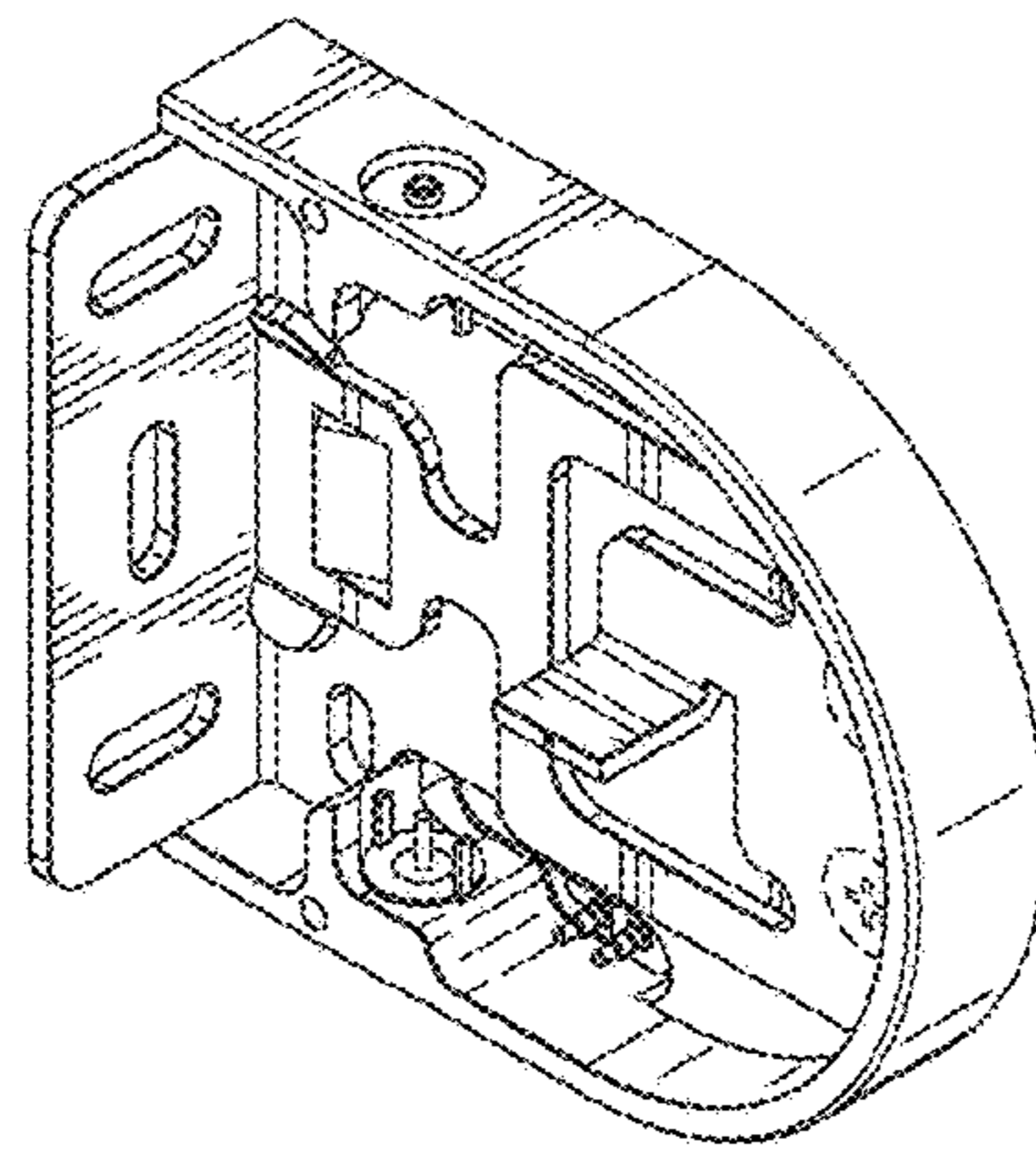


FIG. 15

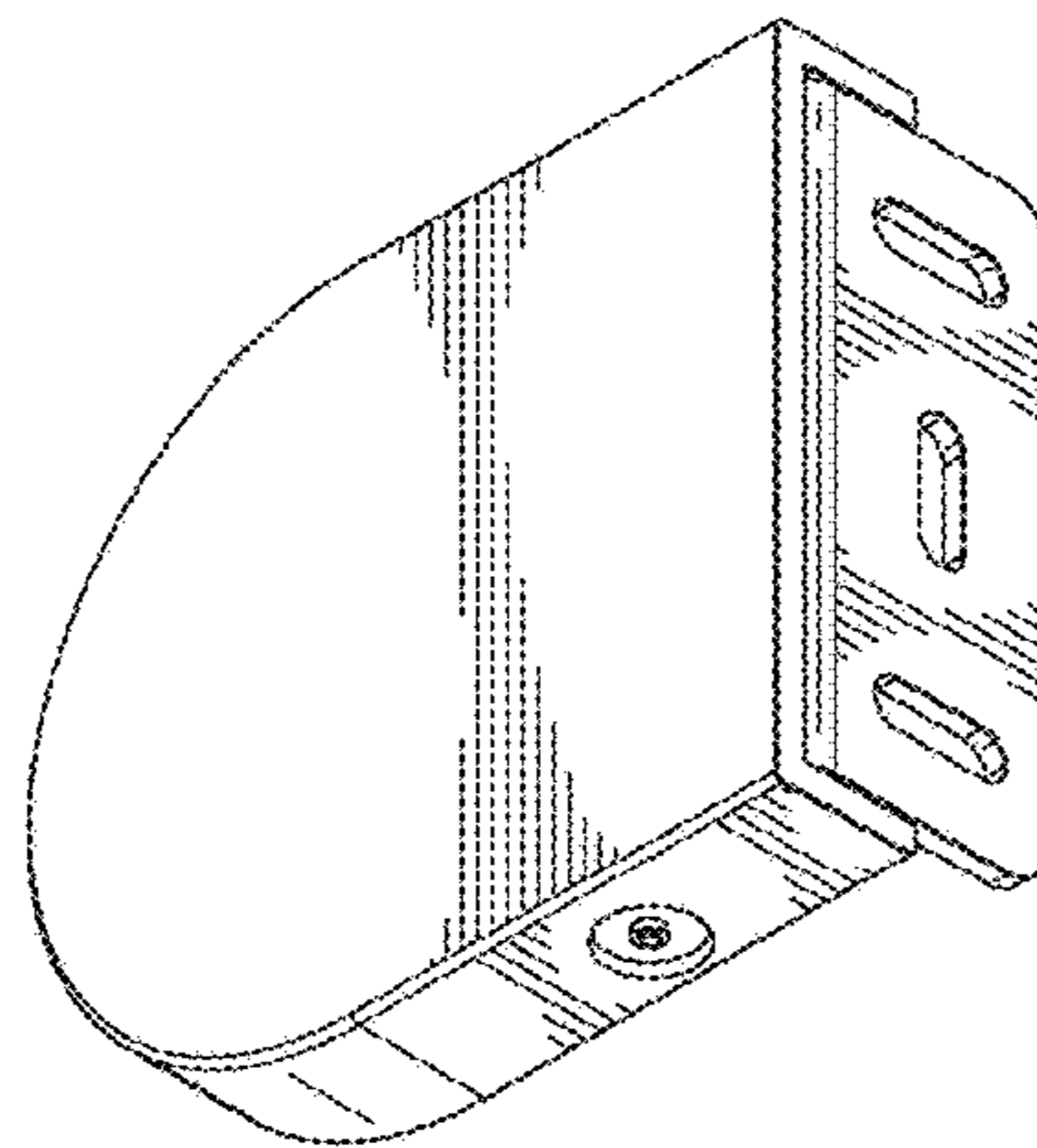


FIG. 16

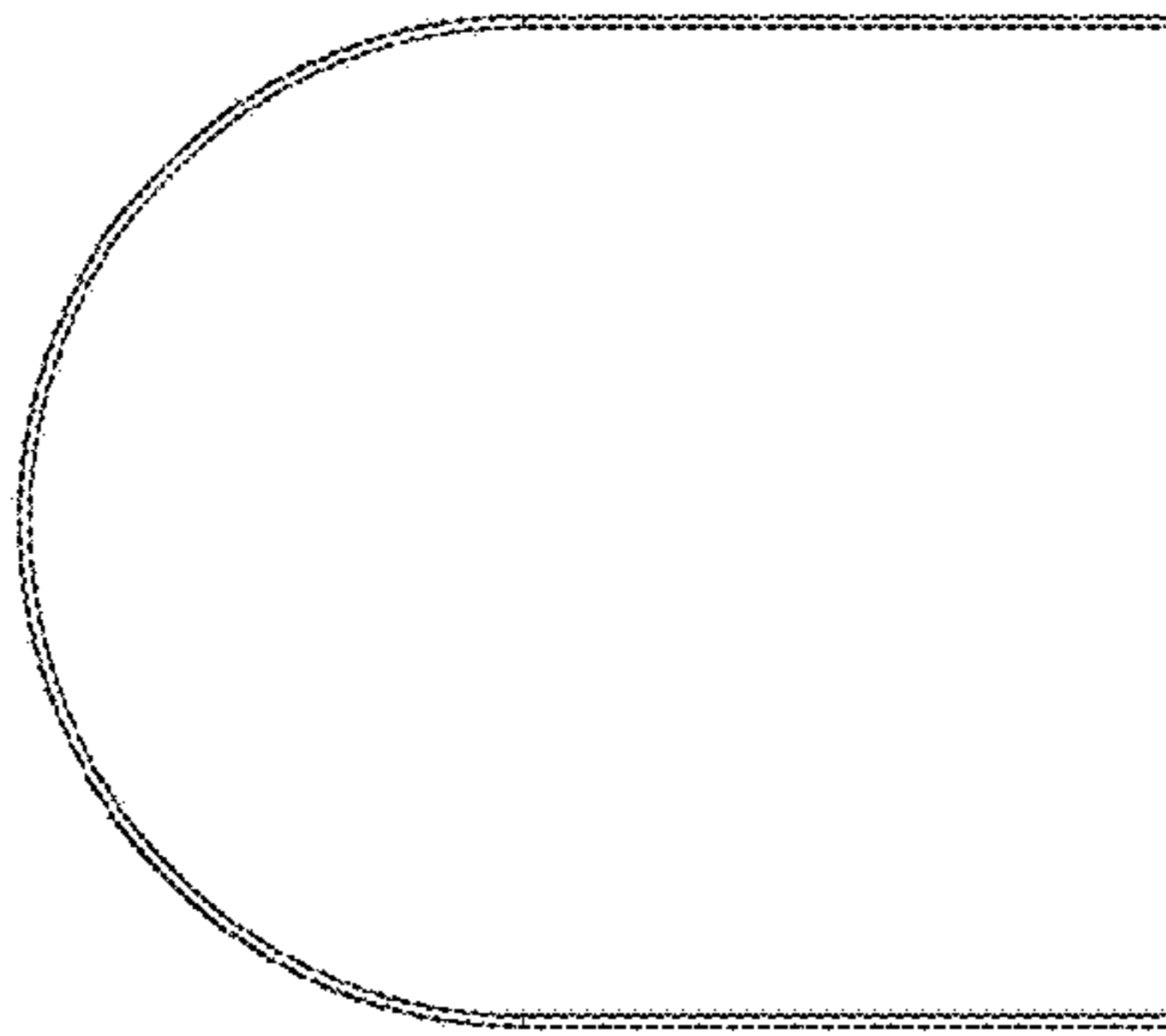


FIG. 17

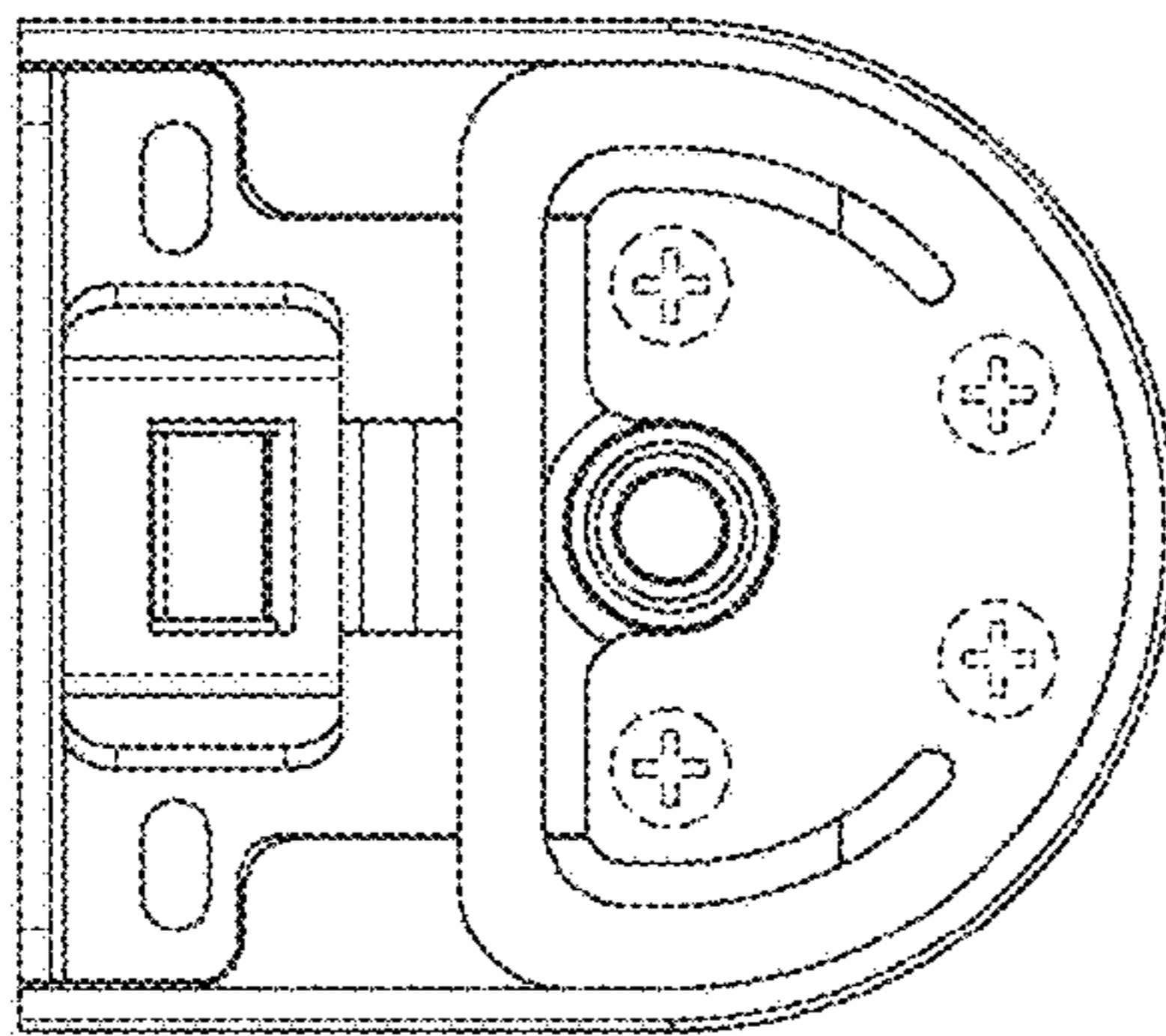


FIG. 18

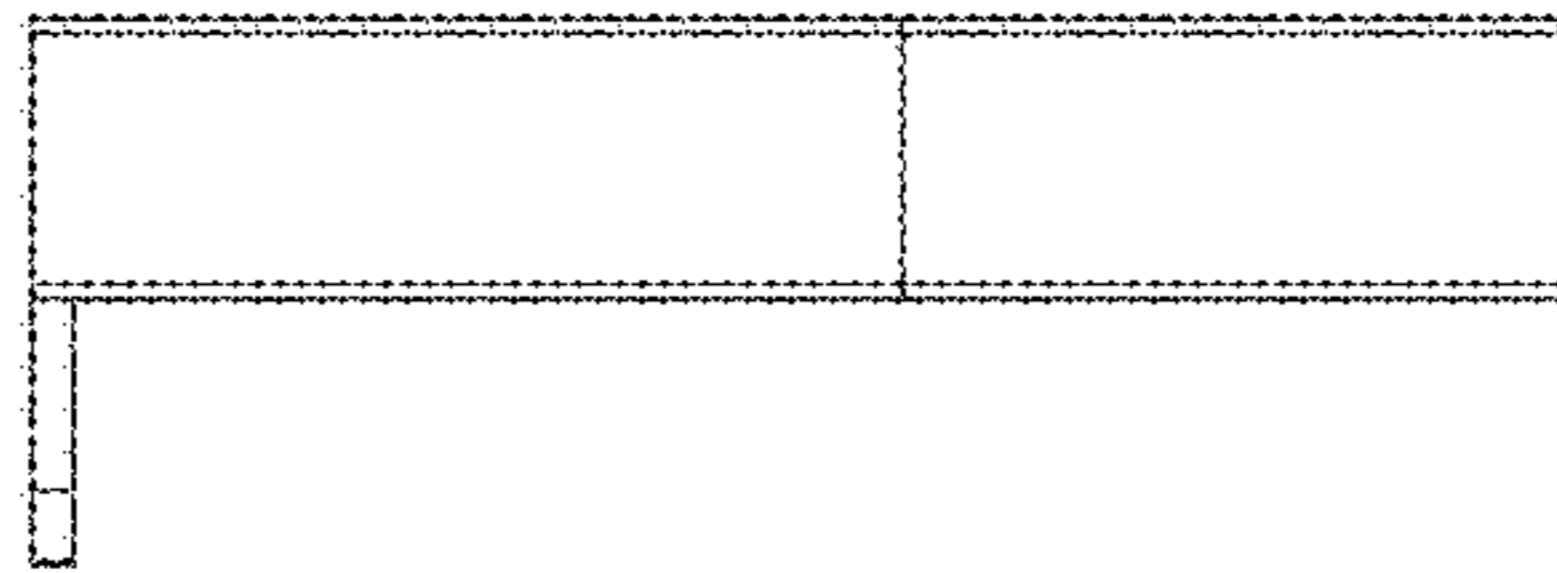


FIG. 19

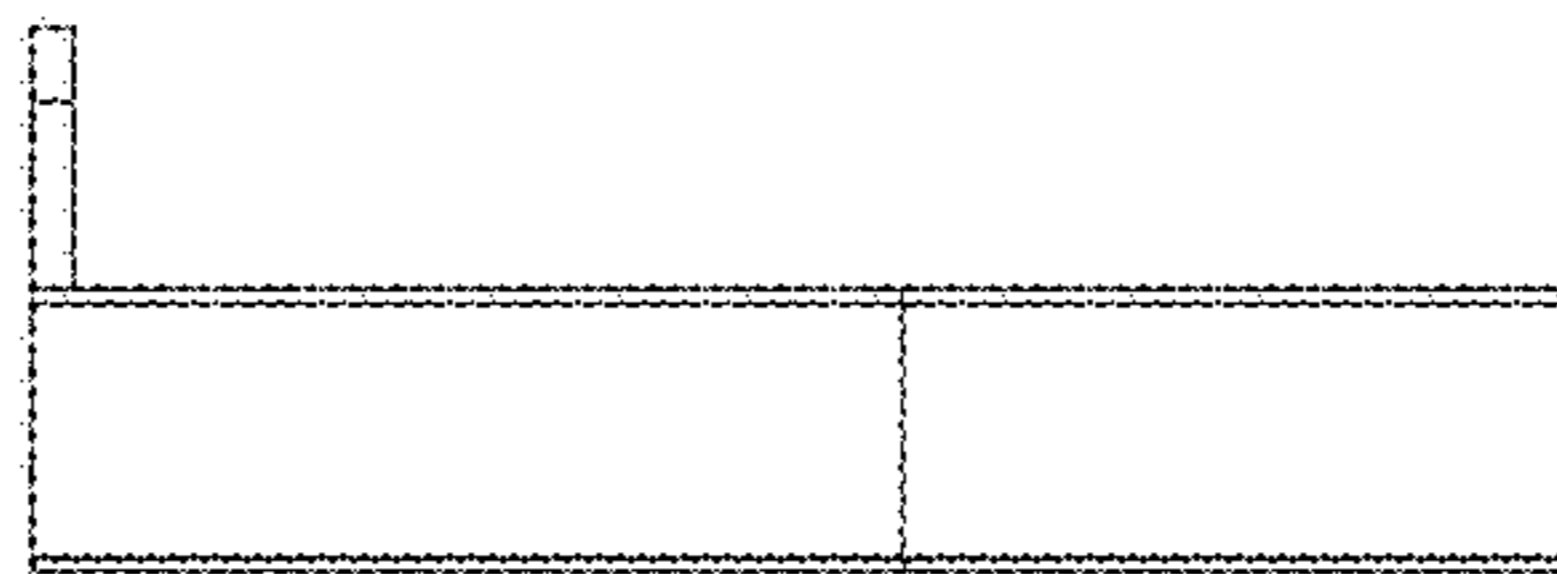


FIG. 20

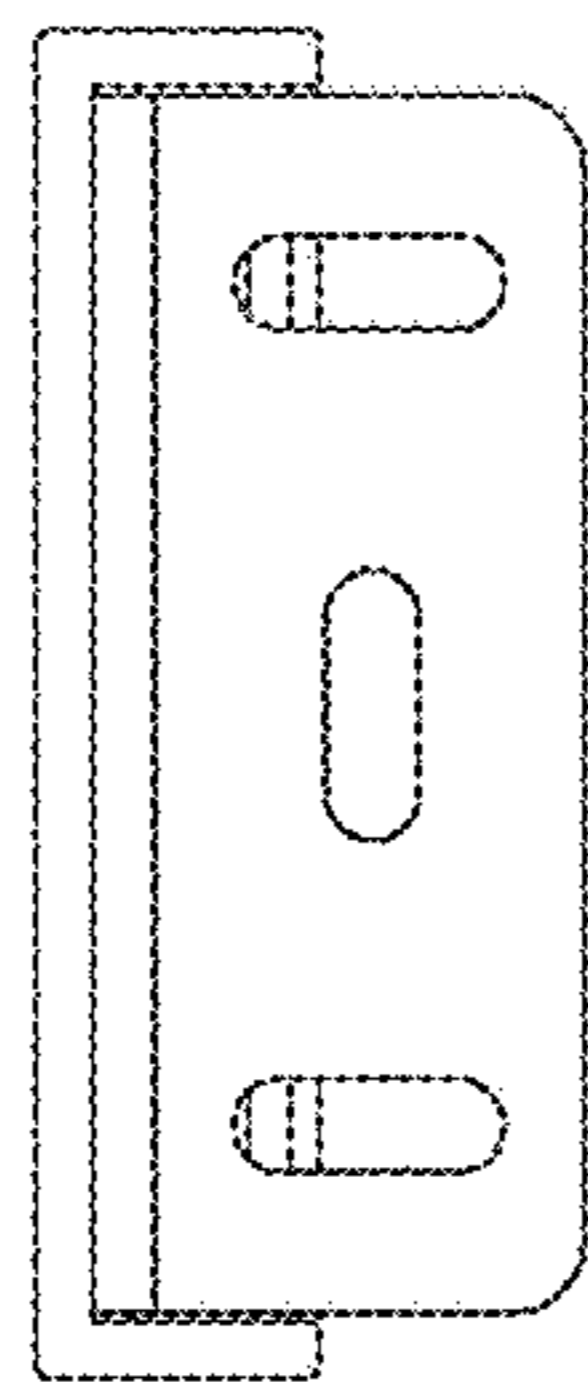


FIG. 21

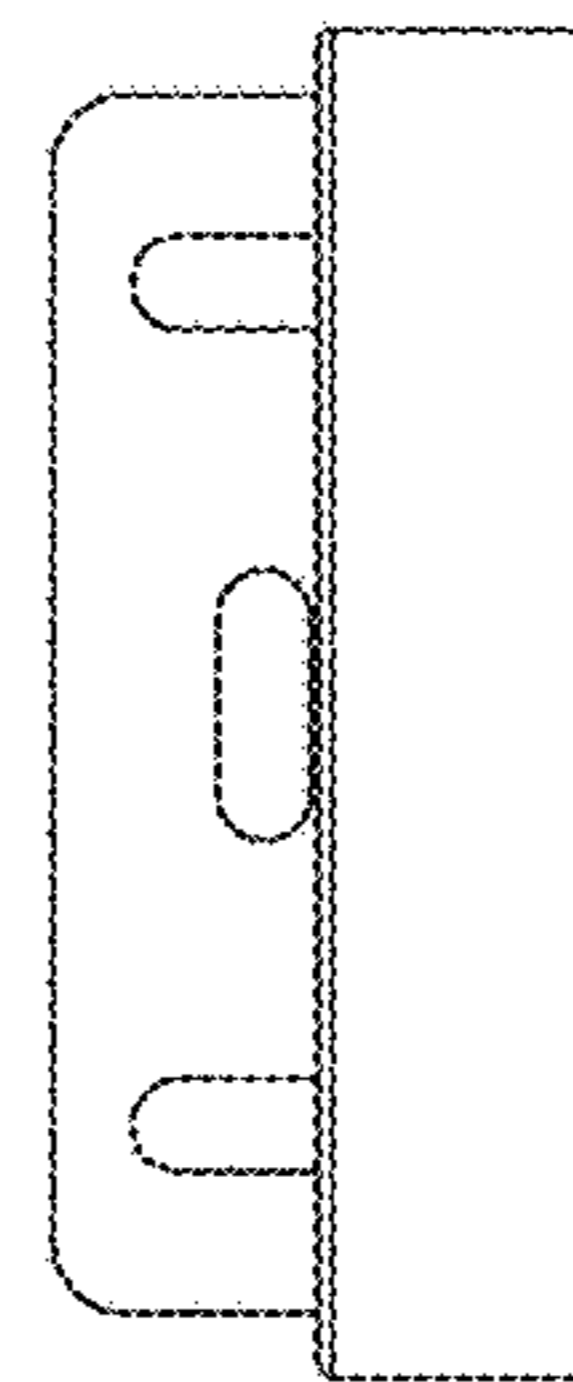


FIG. 22

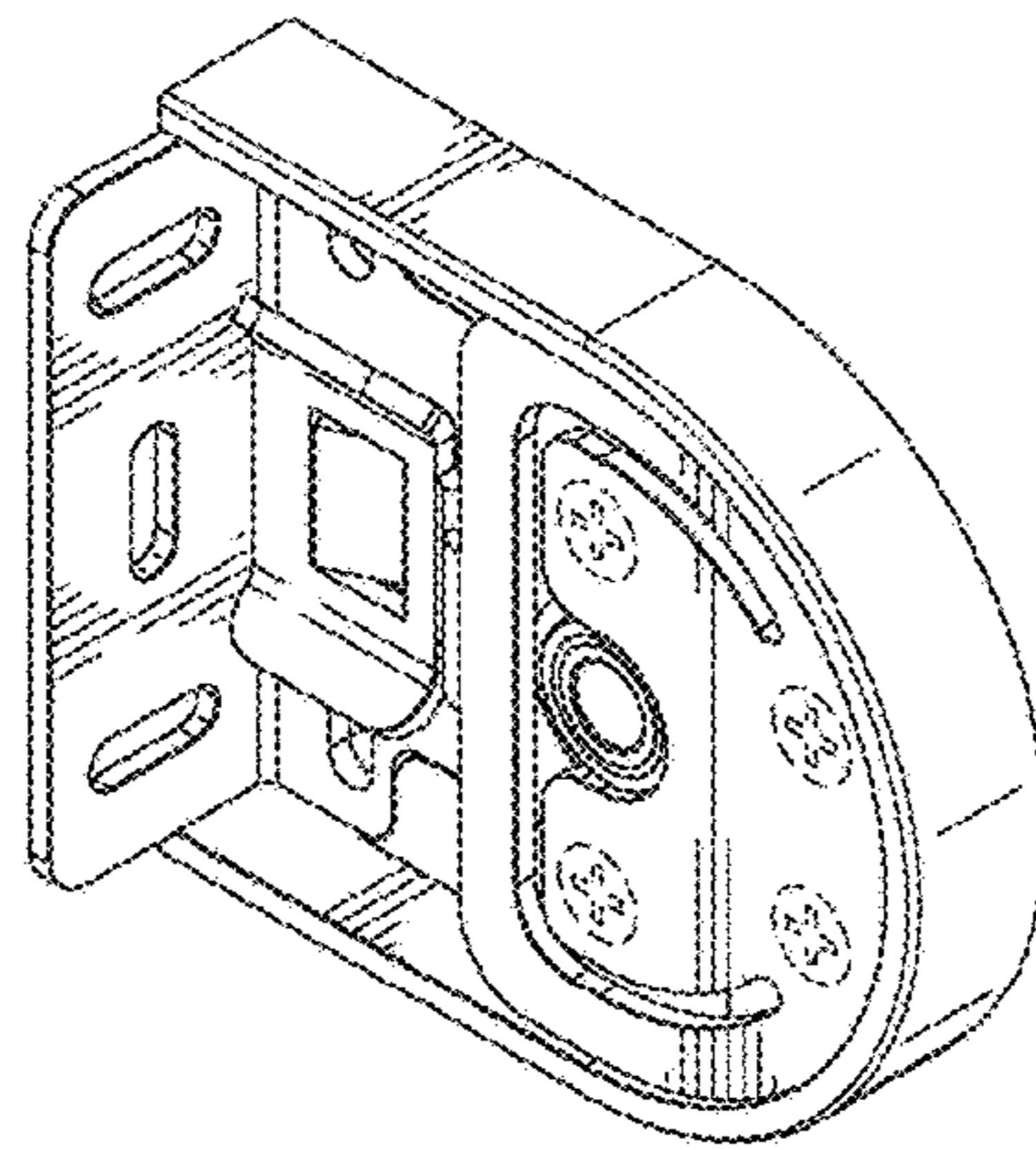


FIG. 23

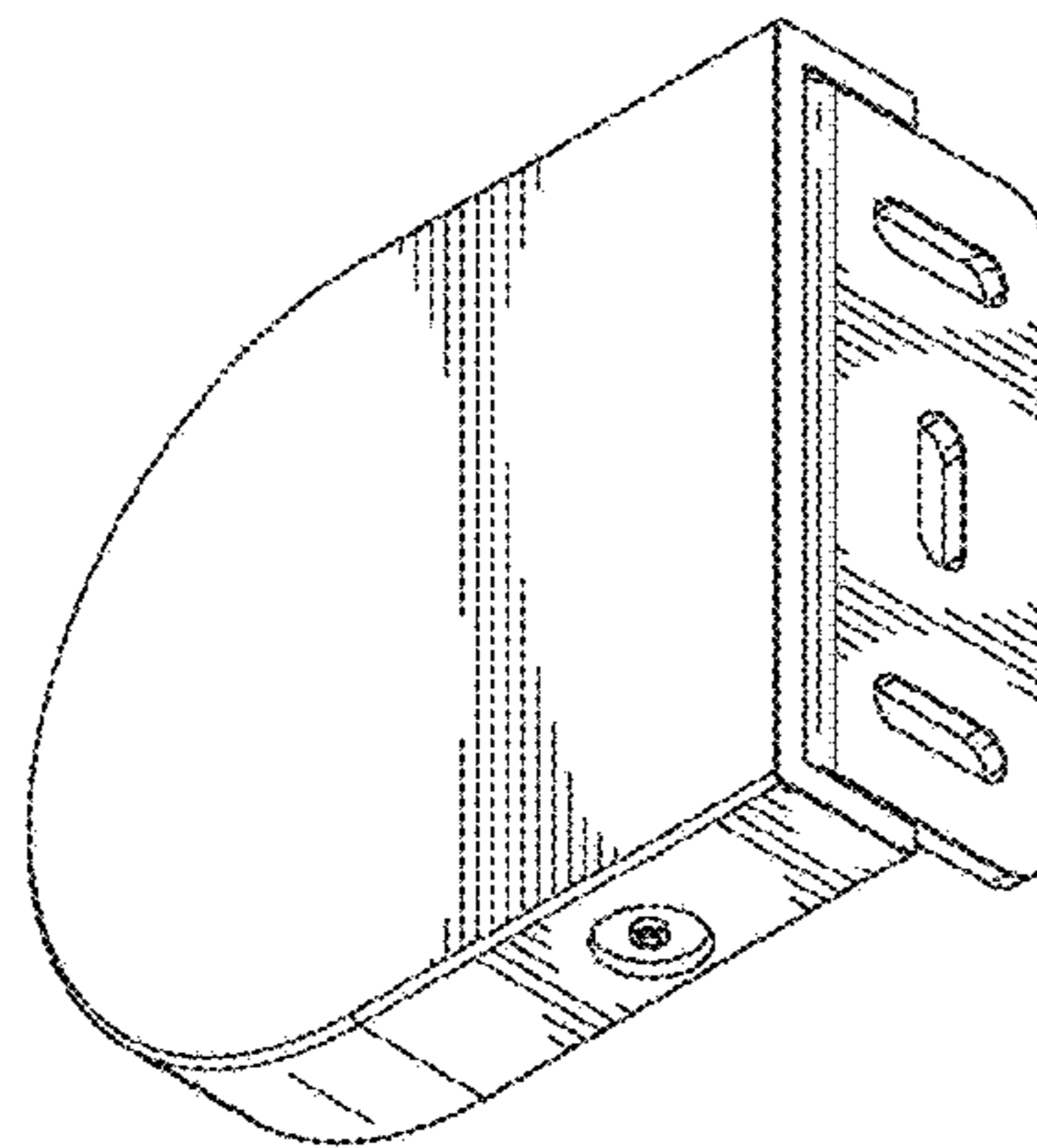


FIG. 24