

US00D867432S

(12) **United States Design Patent** (10) **Patent No.:** **US D867,432 S**
Kimura et al. (45) **Date of Patent:** **** Nov. 19, 2019**

(54) **GRIP FOR CAMERA LENS**

(56) **References Cited**

(71) Applicant: **CANON KABUSHIKI KAISHA,**
Tokyo (JP)

U.S. PATENT DOCUMENTS

(72) Inventors: **Hiroyuki Kimura,** Tokyo (JP);
Masaaki Igarashi, Tokyo (JP)

D330,904 S *	11/1992	Sasaki	D16/219
D366,262 S *	1/1996	Inaba	D10/104.1
D401,264 S *	11/1998	Miyamoto	D16/243
D407,732 S *	4/1999	Miyamoto	D16/219
D427,223 S *	6/2000	Shimamura	D16/242
D489,748 S *	5/2004	McKay	D13/168
D503,185 S *	3/2005	Haga	D16/242
D552,659 S *	10/2007	Stephens	D16/237
D615,118 S *	5/2010	Isozaki	D16/136
D624,110 S *	9/2010	Isozaki	D16/136
D713,440 S *	9/2014	Zhan	D16/237
D730,429 S *	5/2015	Anari	D16/237
D738,951 S *	9/2015	Coyle	D16/237
D752,128 S *	3/2016	Mohan	D16/237
D805,120 S *	12/2017	Morishita	D16/243
D842,359 S *	3/2019	Imai	D16/237

(73) Assignee: **Canon Kabushiki Kaisha,** Tokyo (JP)

(**) Term: **15 Years**

(21) Appl. No.: **35/502,418**

(22) Filed: **Aug. 4, 2016**

(80) **Hague Agreement Data**

Int. Filing Date: **Aug. 4, 2016**
Int. Reg. No.: **DM/092546**
Int. Reg. Date: **Aug. 4, 2016**
Int. Reg. Pub. Date: **Feb. 10, 2017**

* cited by examiner

Primary Examiner — Holly E Thurman
(74) *Attorney, Agent, or Firm* — Venable LLP

(30) **Foreign Application Priority Data**

Feb. 29, 2016 (JP) 2016-004377
Feb. 29, 2016 (JP) 2016-004378

(51) **LOC (12) Cl.** **16-05**

(52) **U.S. Cl.**
USPC **D16/237**

(58) **Field of Classification Search**
USPC D16/134, 136, 200, 204, 208, 213–219,
D16/235, 237–250
CPC G02B 7/04
See application file for complete search history.

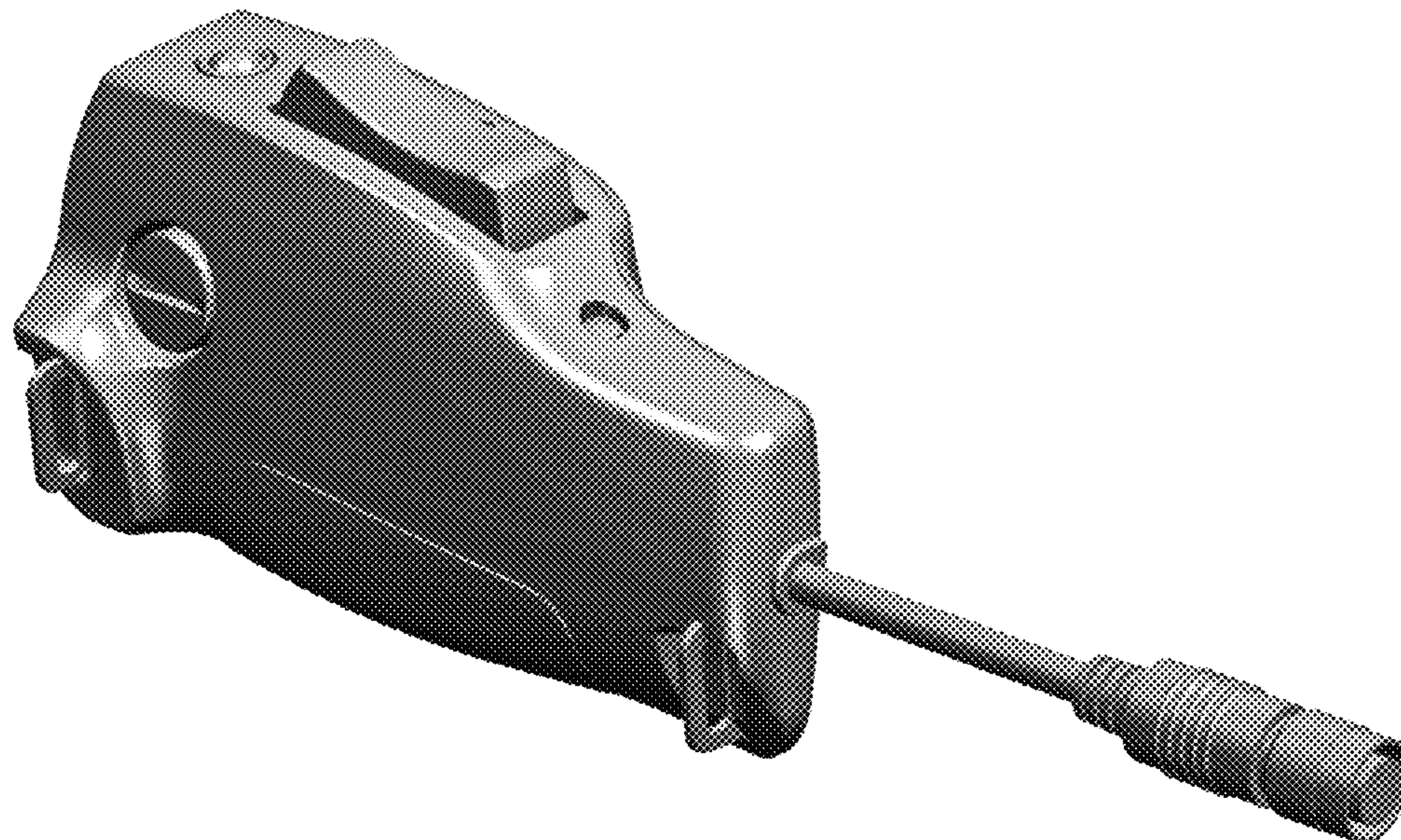
(57) **CLAIM**

The ornamental design for a grip for camera lens, as shown and described.

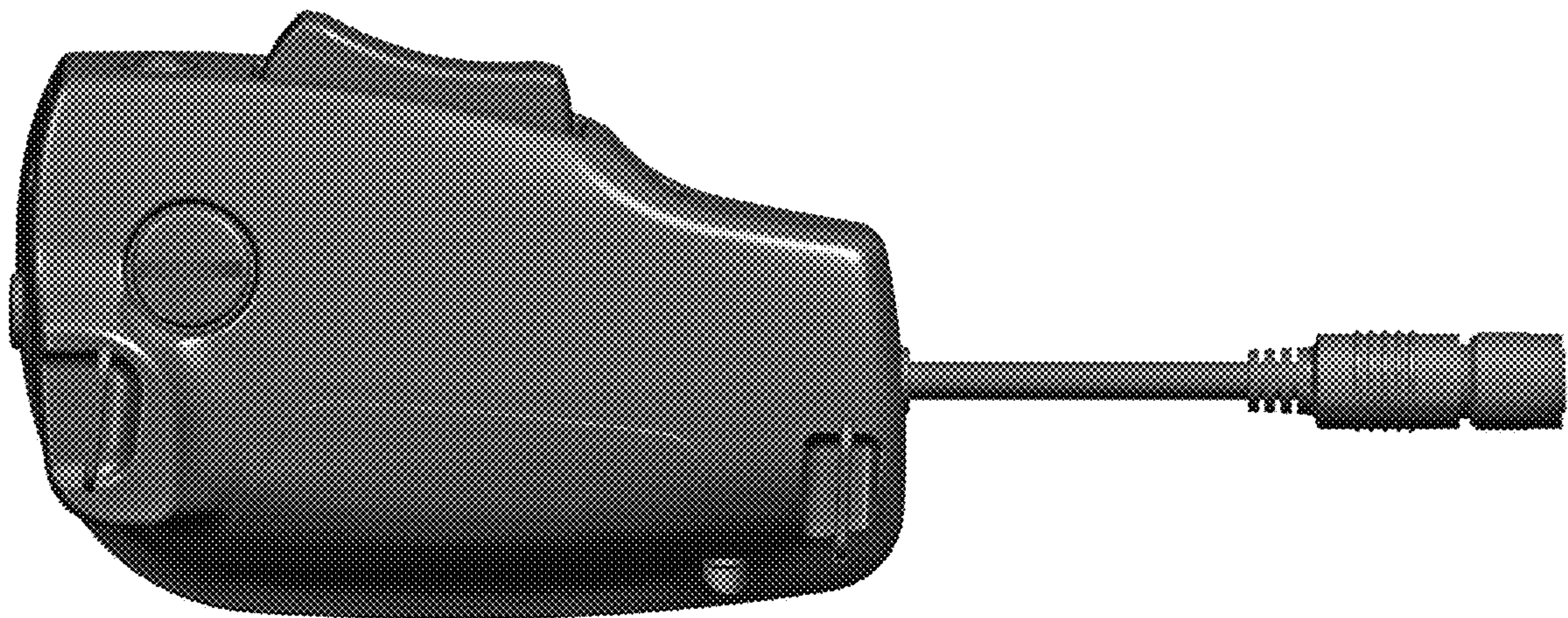
DESCRIPTION

- 1. Grip for camera lens
- 1.1 : Front
- 1.2 : Back
- 1.3 : Top
- 1.4 : Bottom
- 1.5 : Left
- 1.6 : Right
- 1.7 : Perspective

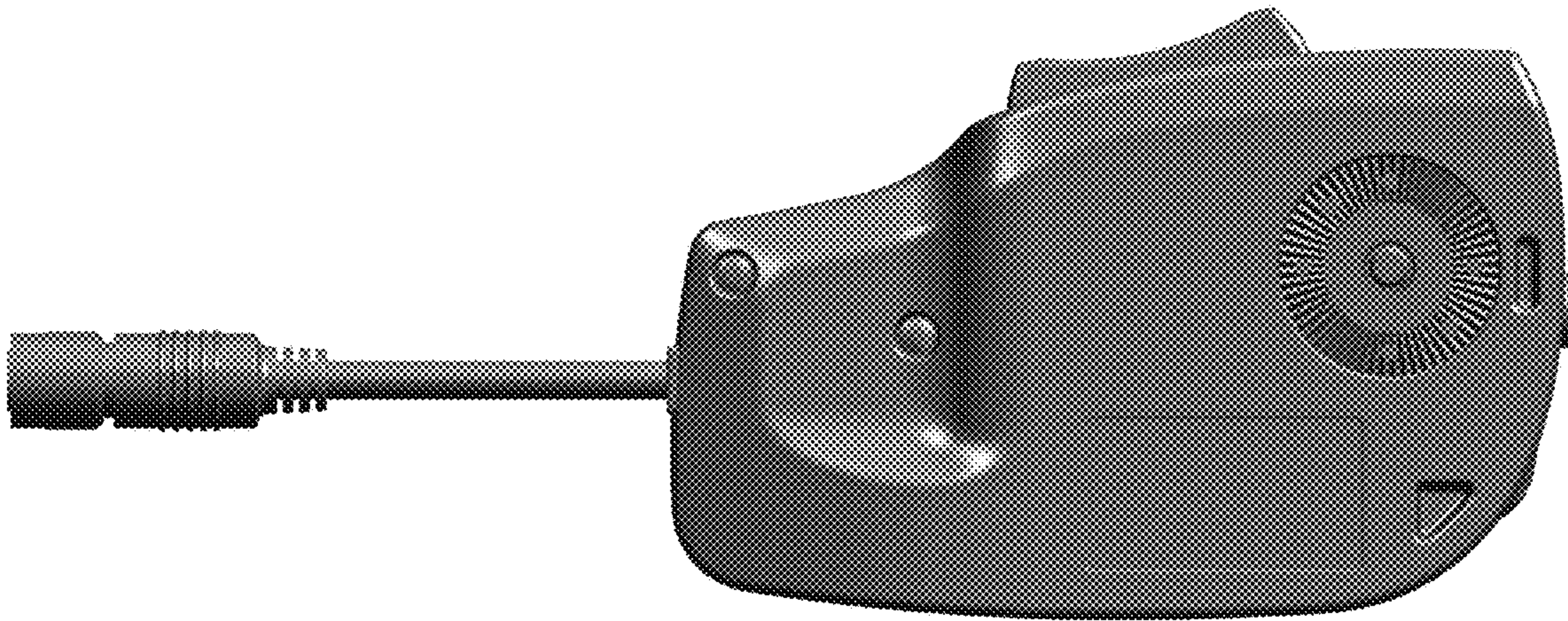
1 Claim, 7 Drawing Sheets



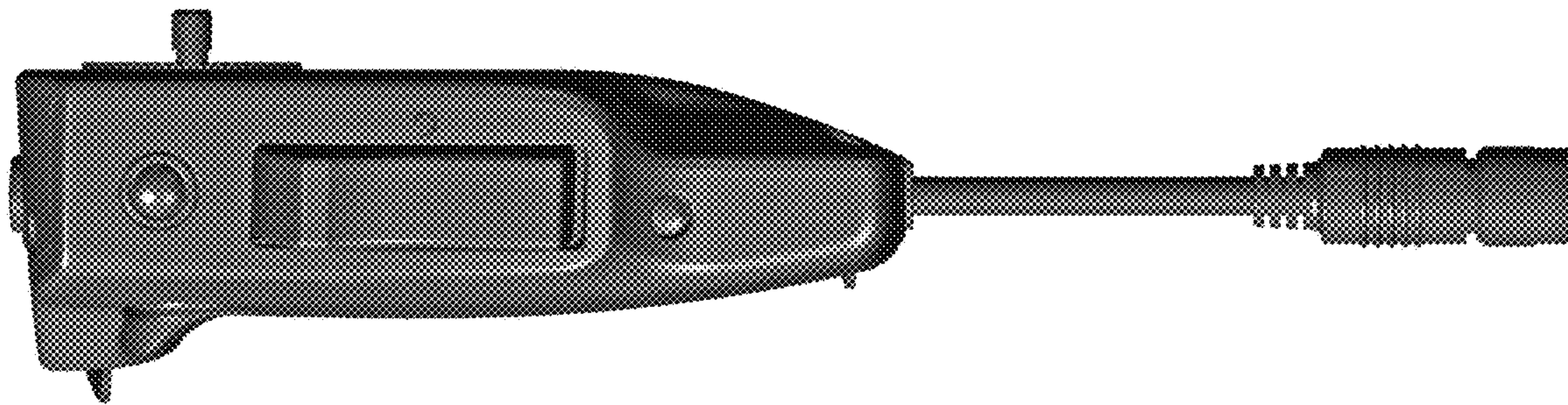
1.1



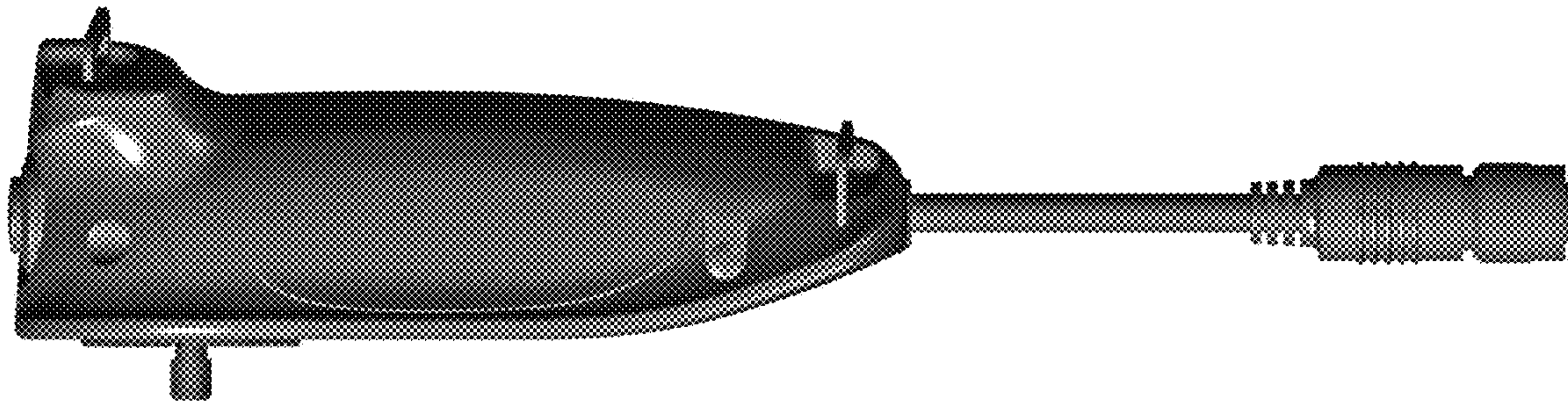
1.2



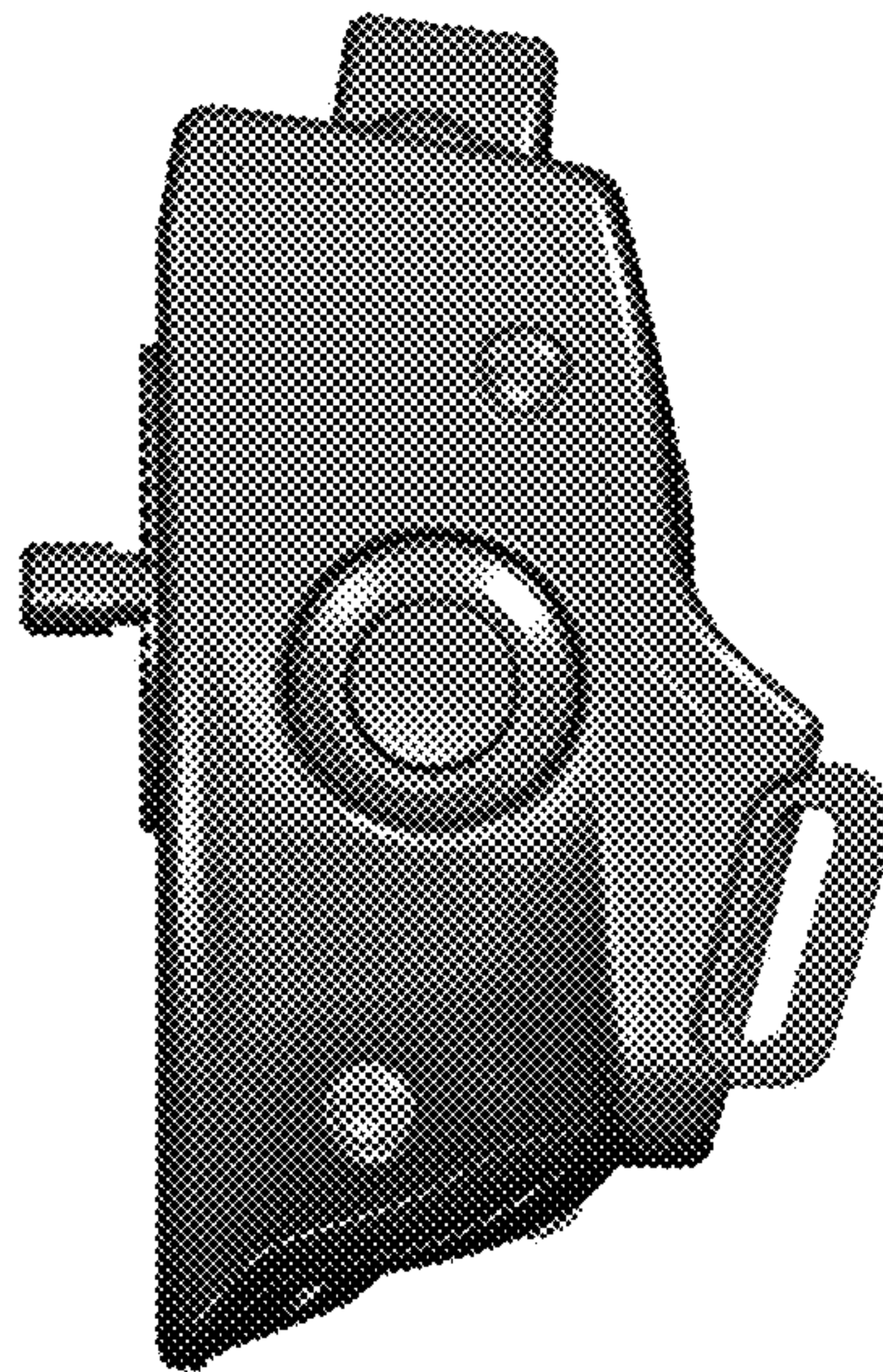
1.3



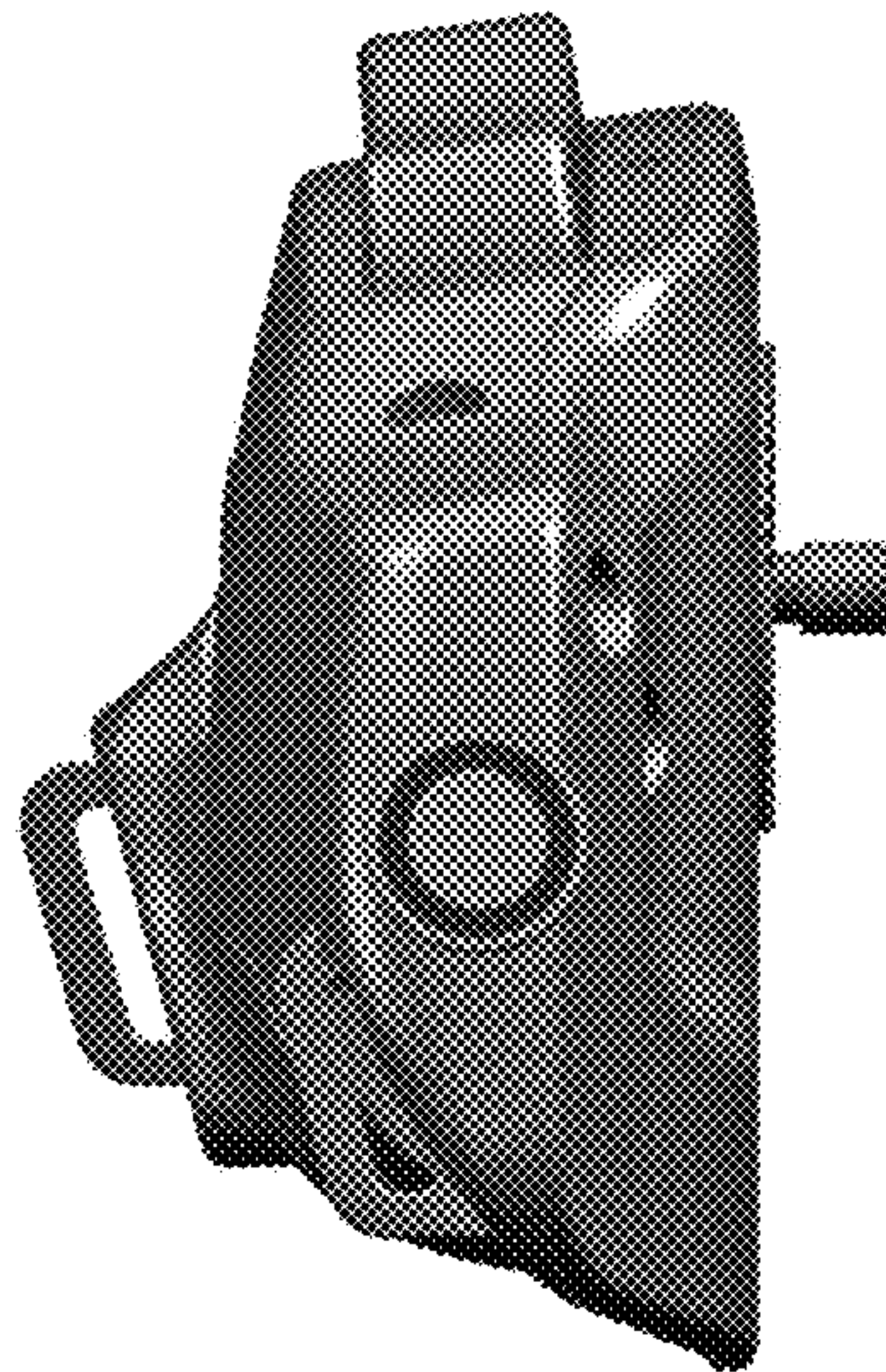
1.4



1.5



1.6



1.7

