



US00D867431S

(12) **United States Design Patent**
Yoshida

(10) **Patent No.:** **US D867,431 S**

(45) **Date of Patent:** **** Nov. 19, 2019**

(54) **PROJECTOR**

(71) Applicant: **FUJIFILM Corporation**, Tokyo (JP)

(72) Inventor: **Koji Yoshida**, Saitama (JP)

(73) Assignee: **FUJIFILM Corporation**, Tokyo (JP)

(**) Term: **15 Years**

(21) Appl. No.: **29/657,673**

(22) Filed: **Jul. 24, 2018**

(30) **Foreign Application Priority Data**

Jan. 30, 2018 (JP) 2018-001721

(51) **LOC (12) Cl.** **16-02**

(52) **U.S. Cl.**
USPC **D16/235**

(58) **Field of Classification Search**
USPC D16/235, 221, 225, 245, 219, 134, 136;
D21/514; 348/375; 396/529; 353/119,
353/100-101, 122

(Continued)

(56) **References Cited**

U.S. PATENT DOCUMENTS

2,428,719 A * 10/1947 Nemeth G02B 7/04
D16/134
D554,174 S * 10/2007 Nakayama D16/235

(Continued)

FOREIGN PATENT DOCUMENTS

JP D1566646 * 2/2016

OTHER PUBLICATIONS

ELPLX02 Ultra Short-throw Lens. Retrieved on Jun. 26, 2019.
Retrieved from the Internet: https://epson.com/Accessories/Projector-Accessories/ELPLX02-Ultra-Short-throw-Lens/p/V12H004X02.*

Primary Examiner — Wan Laymon

(74) *Attorney, Agent, or Firm* — Birch, Stewart, Kolasch & Birch, LLP

(57) **CLAIM**

The ornamental design for a projector, as shown and described.

DESCRIPTION

FIG. 1 is a right perspective view of a projector showing my new design;

FIG. 2 is a left perspective view thereof;

FIG. 3 is a front view thereof;

FIG. 4 is a rear view thereof;

FIG. 5 is a top plan view thereof;

FIG. 6 is a bottom plan view thereof;

FIG. 7 is a right side view thereof;

FIG. 8 is a left side view thereof;

FIG. 9 is a right perspective view of a projector illustrating the situation that a lens is directed to first direction, showing my new design;

FIG. 10 is a front view thereof;

FIG. 11 is a rear view thereof;

FIG. 12 is a top plan view thereof;

FIG. 13 is a bottom plan view thereof;

FIG. 14 is a right side view thereof;

FIG. 15 is a left side view thereof;

FIG. 16 is a right perspective view of a projector illustrating the situation that the lens is directed to second direction, showing my new design;

FIG. 17 is a front view thereof;

FIG. 18 is a rear view thereof;

FIG. 19 is a top plan view thereof;

FIG. 20 is a bottom plan view thereof;

FIG. 21 is a right side view thereof;

FIG. 22 is a left side view thereof;

FIG. 23 is a right perspective view of a projector illustrating the situation that the lens is directed to third direction, showing my new design;

FIG. 24 is a front view thereof;

FIG. 25 is a rear view thereof;

FIG. 26 is a top plan view thereof;

FIG. 27 is a bottom plan view thereof;

(Continued)

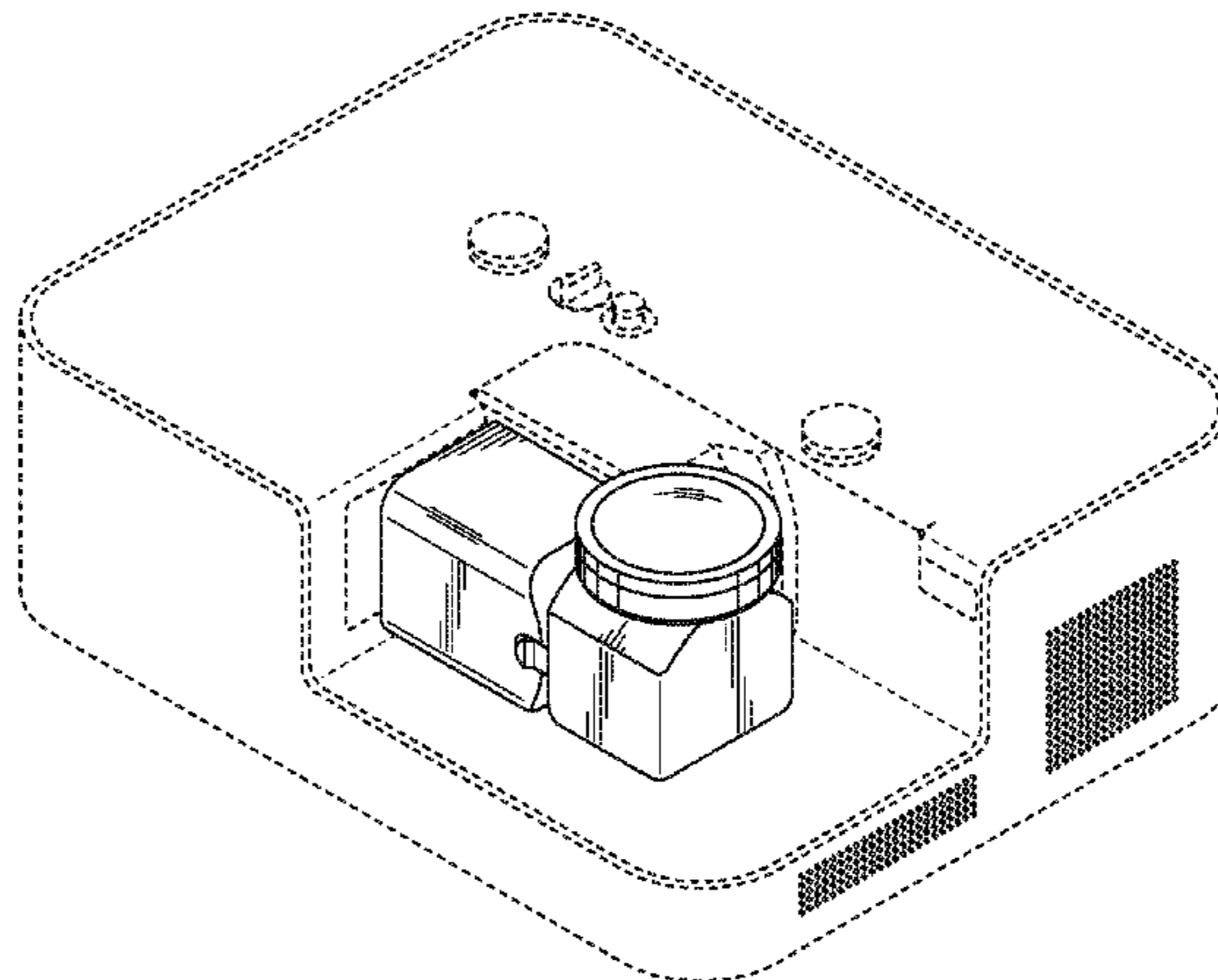
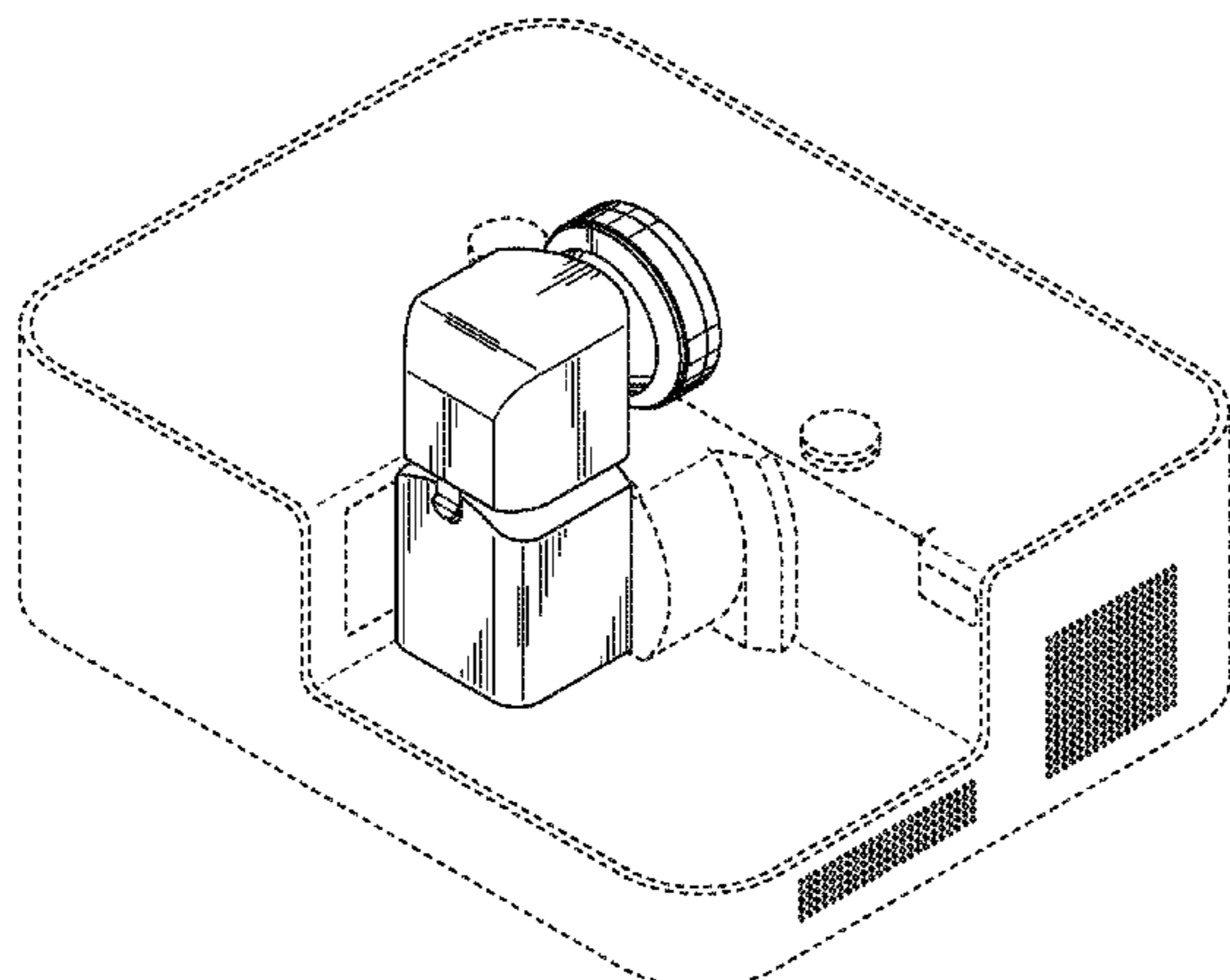


FIG. 28 is a right side view thereof;
FIG. 29 is a left side view thereof;
FIG. 30 is a right perspective view of a projector illustrating the situation that the lens is directed to fourth direction, showing my new design;
FIG. 31 is a front view thereof;
FIG. 32 is a rear view thereof;
FIG. 33 is a top plan view thereof;
FIG. 34 is a bottom plan view thereof;
FIG. 35 is a right side view thereof;
FIG. 36 is a left side view thereof;
FIG. 37 is a right perspective view of a projector illustrating the situation that the lens is directed to fifth direction, showing my new design;
FIG. 38 is a front view thereof;
FIG. 39 is a rear view thereof;
FIG. 40 is a top plan view thereof;
FIG. 41 is a bottom plan view thereof;
FIG. 42 is a right side view thereof;
FIG. 43 is a left side view thereof;
FIG. 44 is a right perspective view of a projector illustrating the situation that the lens is directed to sixth direction, showing my new design;
FIG. 45 is a front view thereof;
FIG. 46 is a rear view thereof;
FIG. 47 is a top plan view thereof;
FIG. 48 is a bottom plan view thereof;

FIG. 49 is a right side view thereof; and,
FIG. 50 is a left side view thereof.
The broken lines depict portions of the projector in which the design is embodied that form no part of the claimed design.

1 Claim, 43 Drawing Sheets

(58) **Field of Classification Search**

CPC G03B 3/02; G03B 21/14; G03B 21/142;
G03B 21/145; G03B 21/54; G02B
13/0025

See application file for complete search history.

(56) **References Cited**

U.S. PATENT DOCUMENTS

| | | | | |
|-----------|------|--------|-----------------|-----------------------|
| 8,491,126 | B2 * | 7/2013 | Ko | G03B 21/16 353/101 |
| D780,820 | S * | 3/2017 | Sedazzari | D16/134 |
| D813,286 | S * | 3/2018 | Sedazzari | D16/134 |
| D845,375 | S * | 4/2019 | Kuroda | D16/235 |
| D848,518 | S * | 5/2019 | Kuroda | D16/235 |
| D849,121 | S * | 5/2019 | Ito | D16/235 |

* cited by examiner

FIG. 1

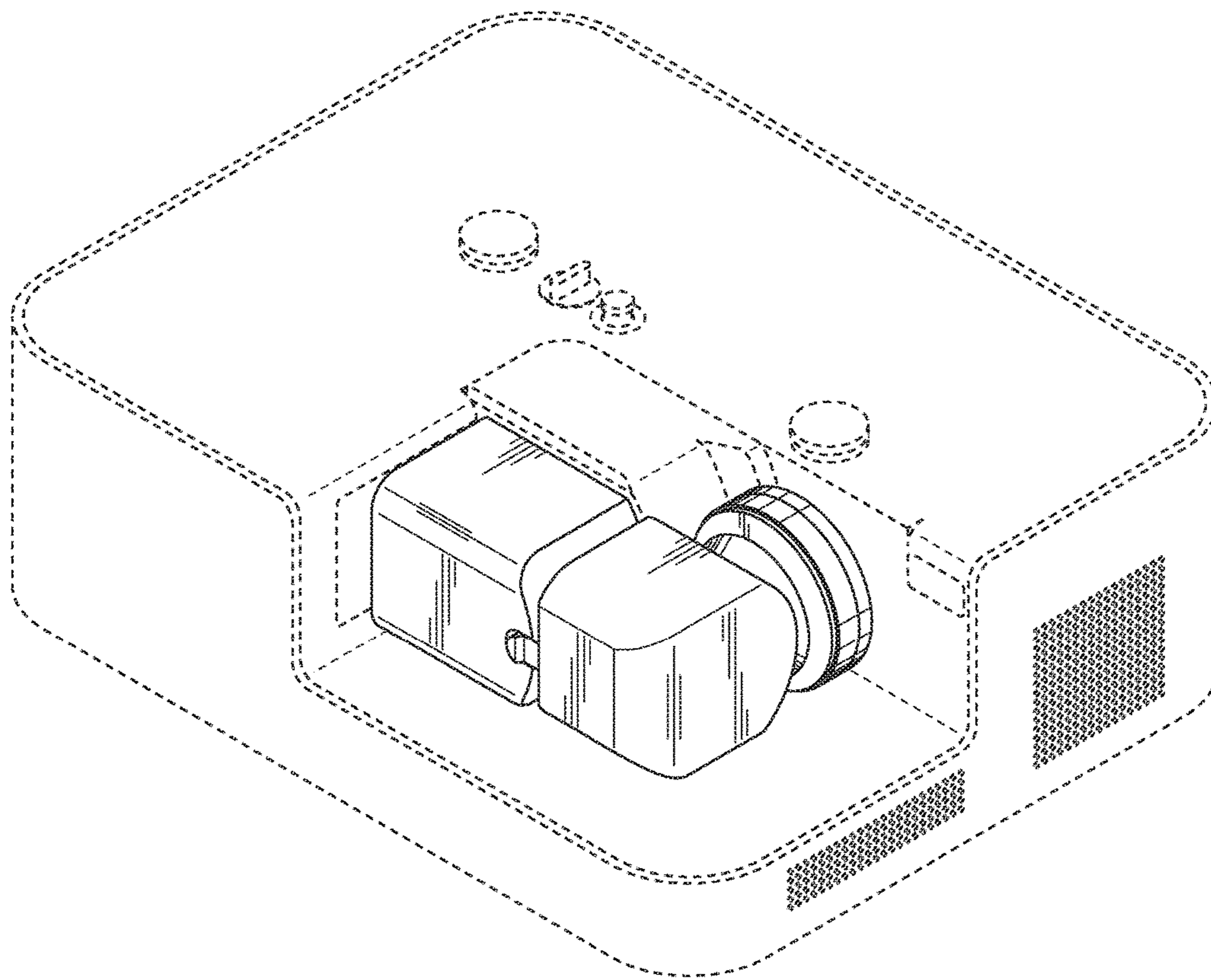


FIG. 2

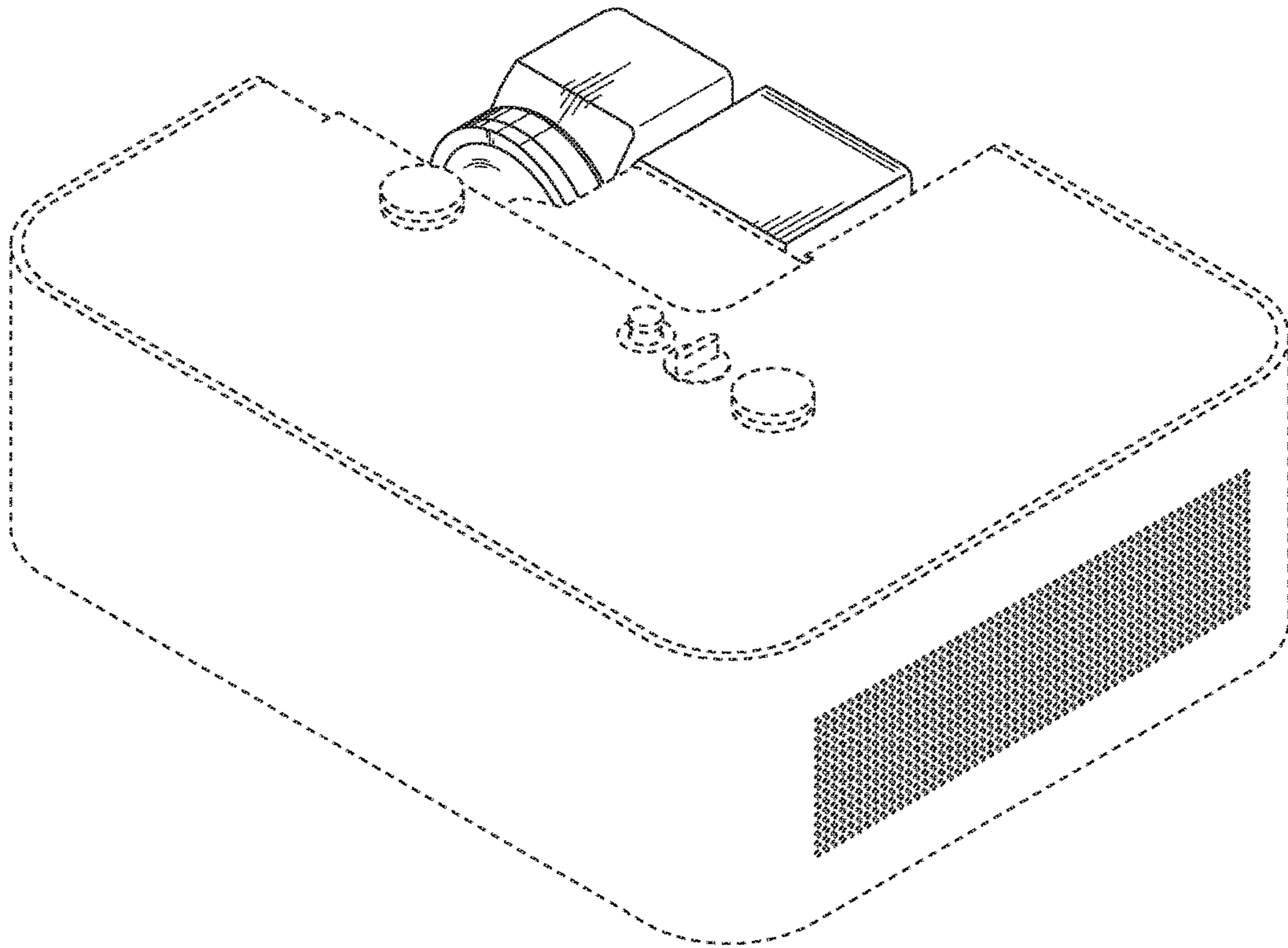


FIG. 3

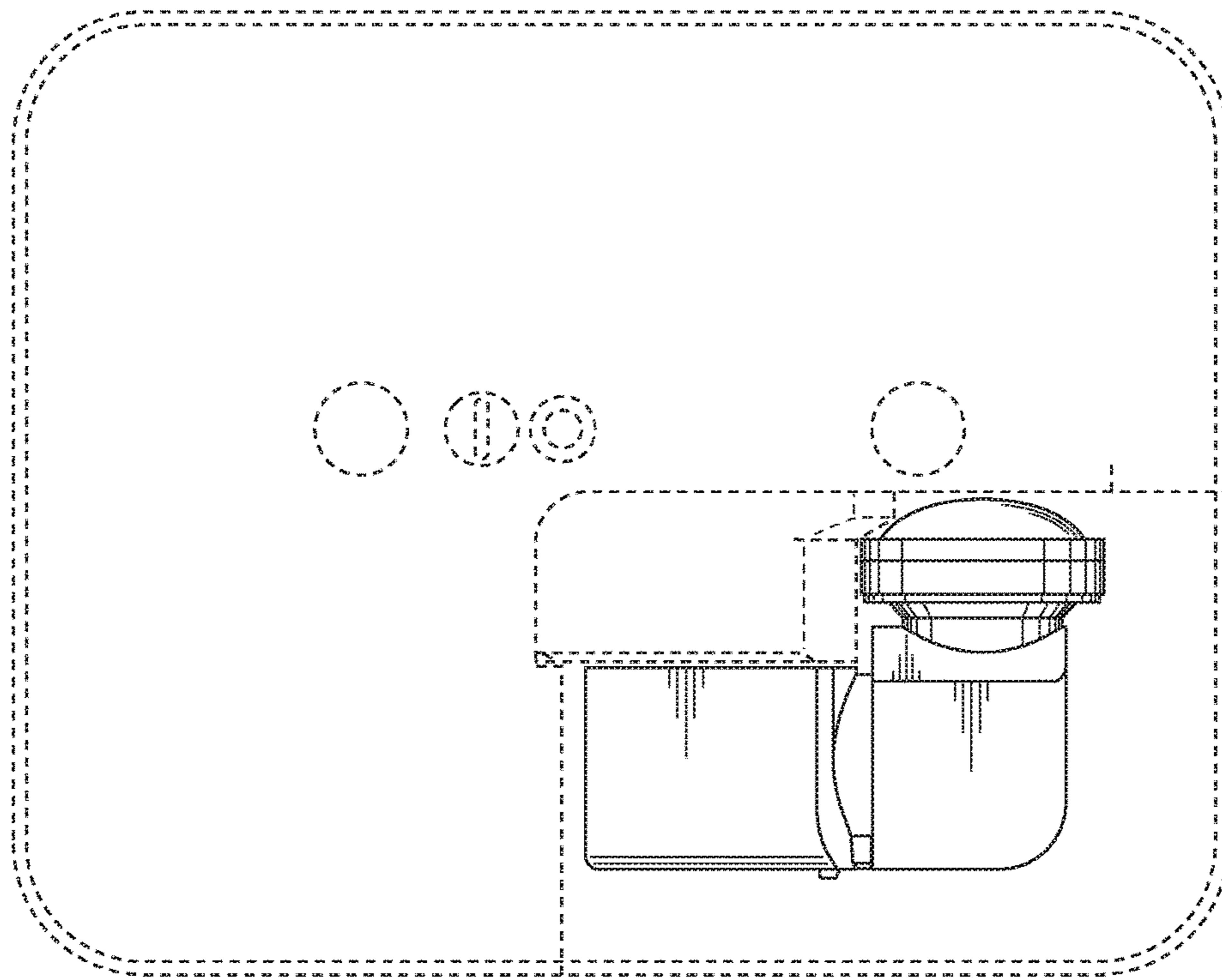


FIG. 4



FIG. 5

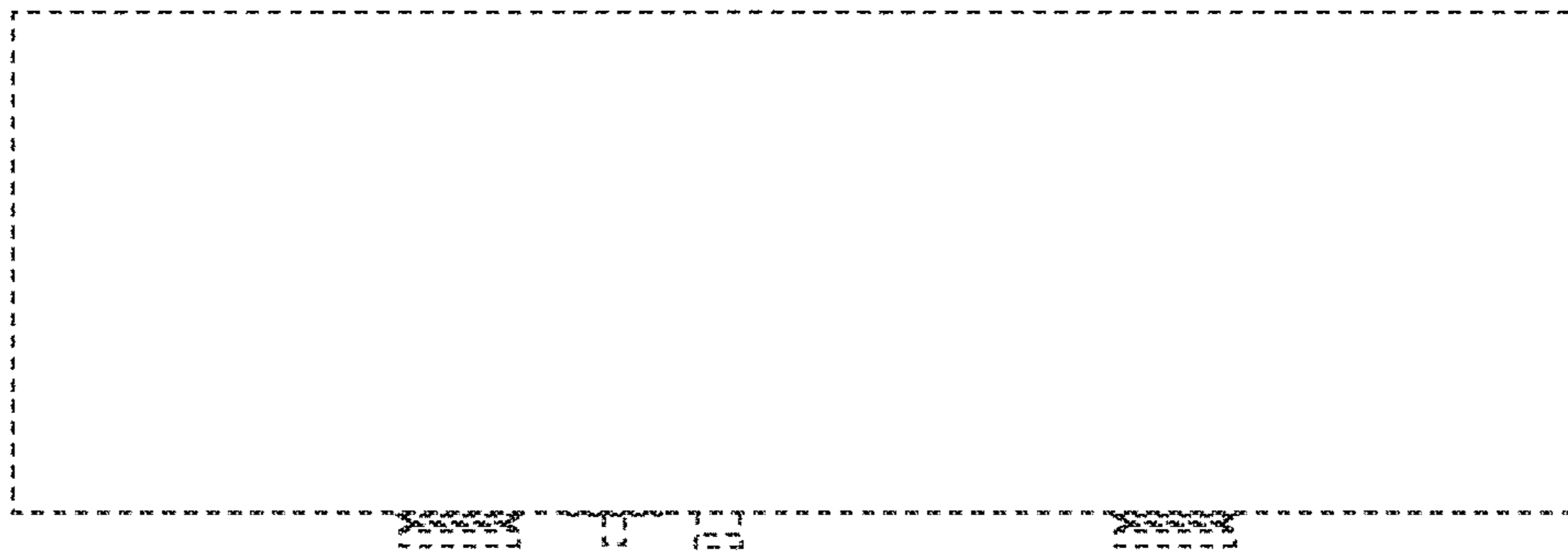


FIG. 6

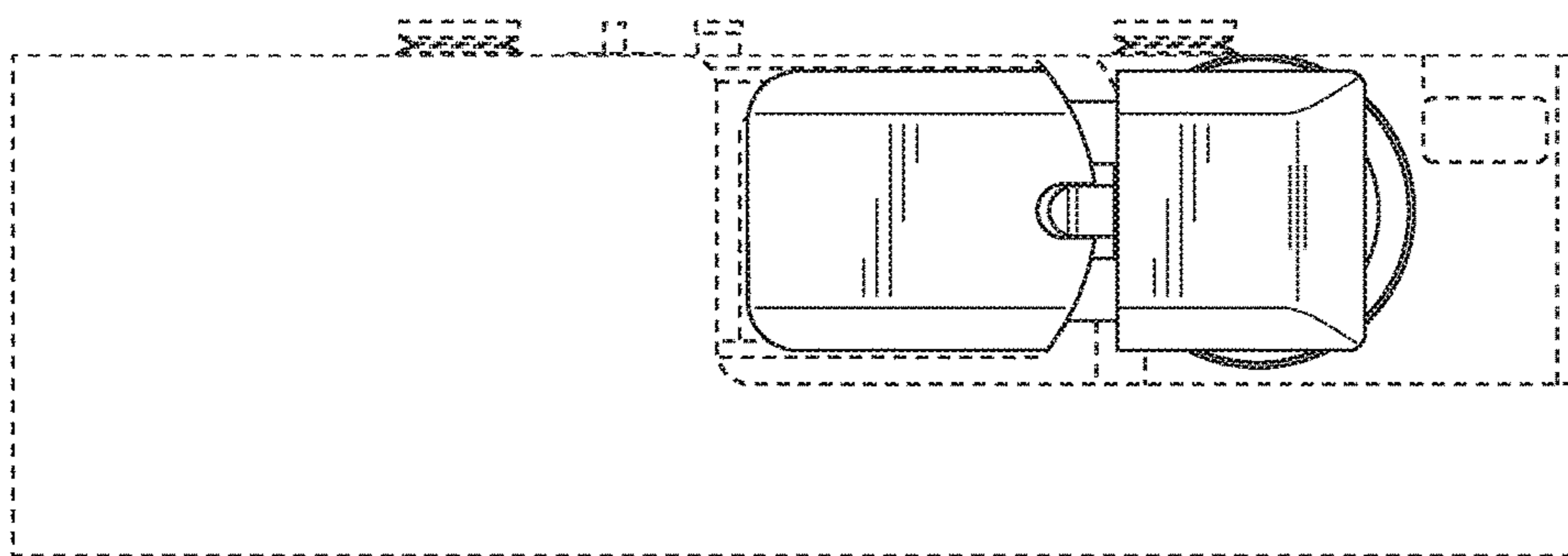


FIG. 7

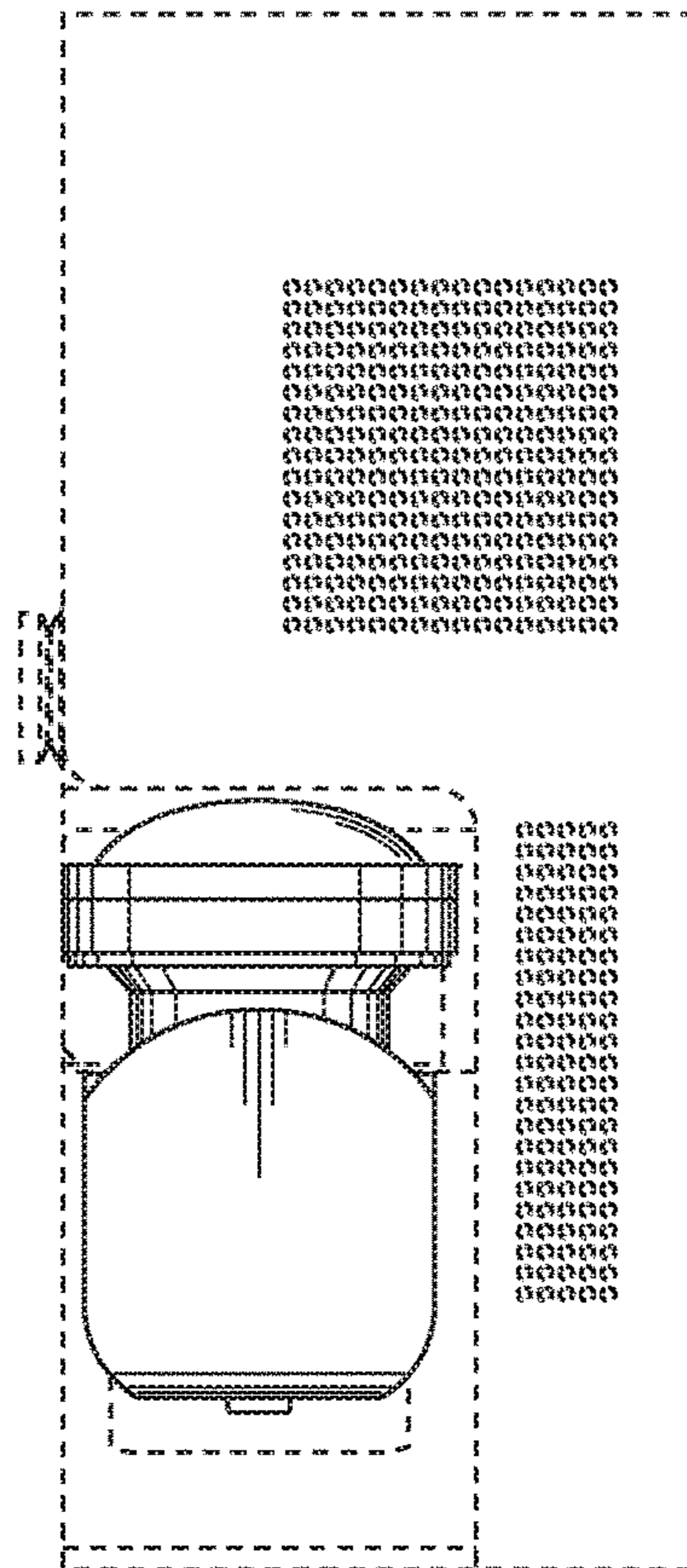


FIG. 8

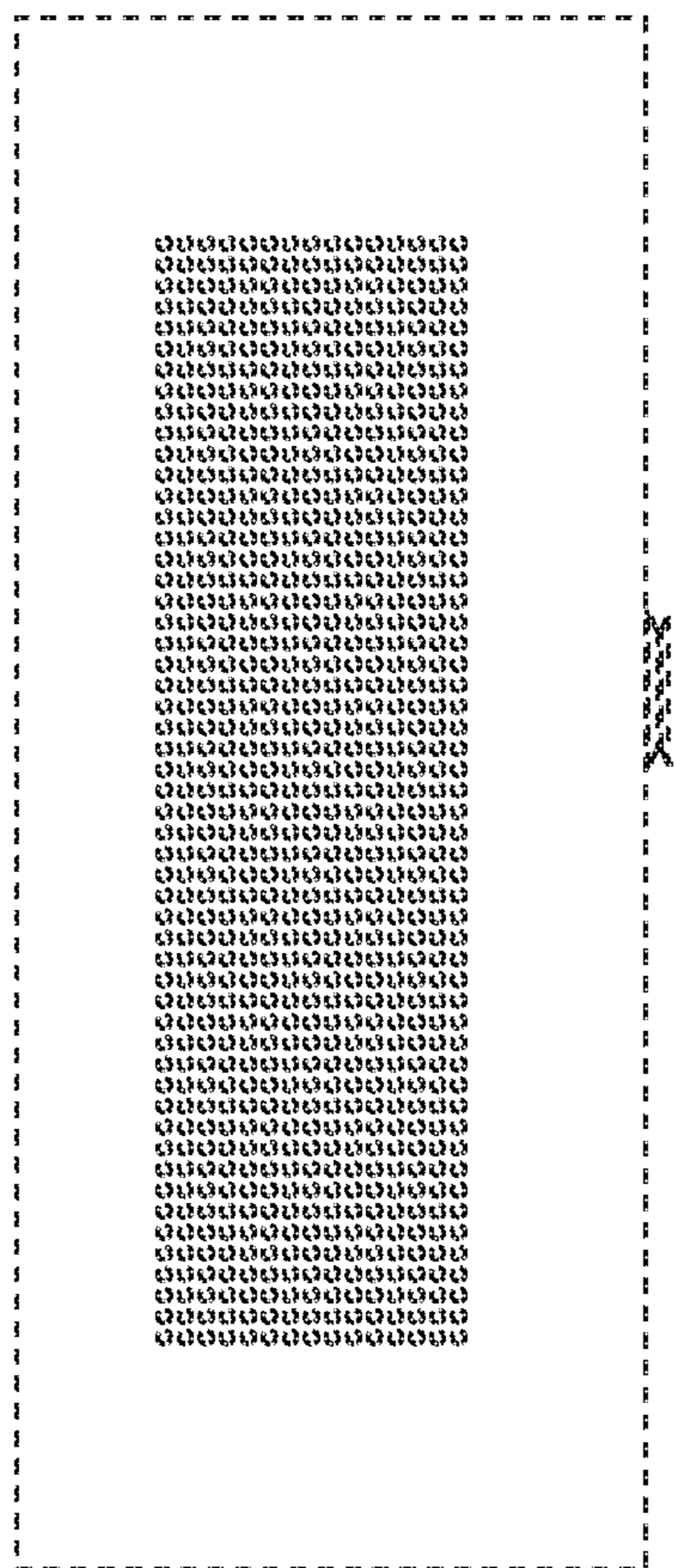


FIG. 9

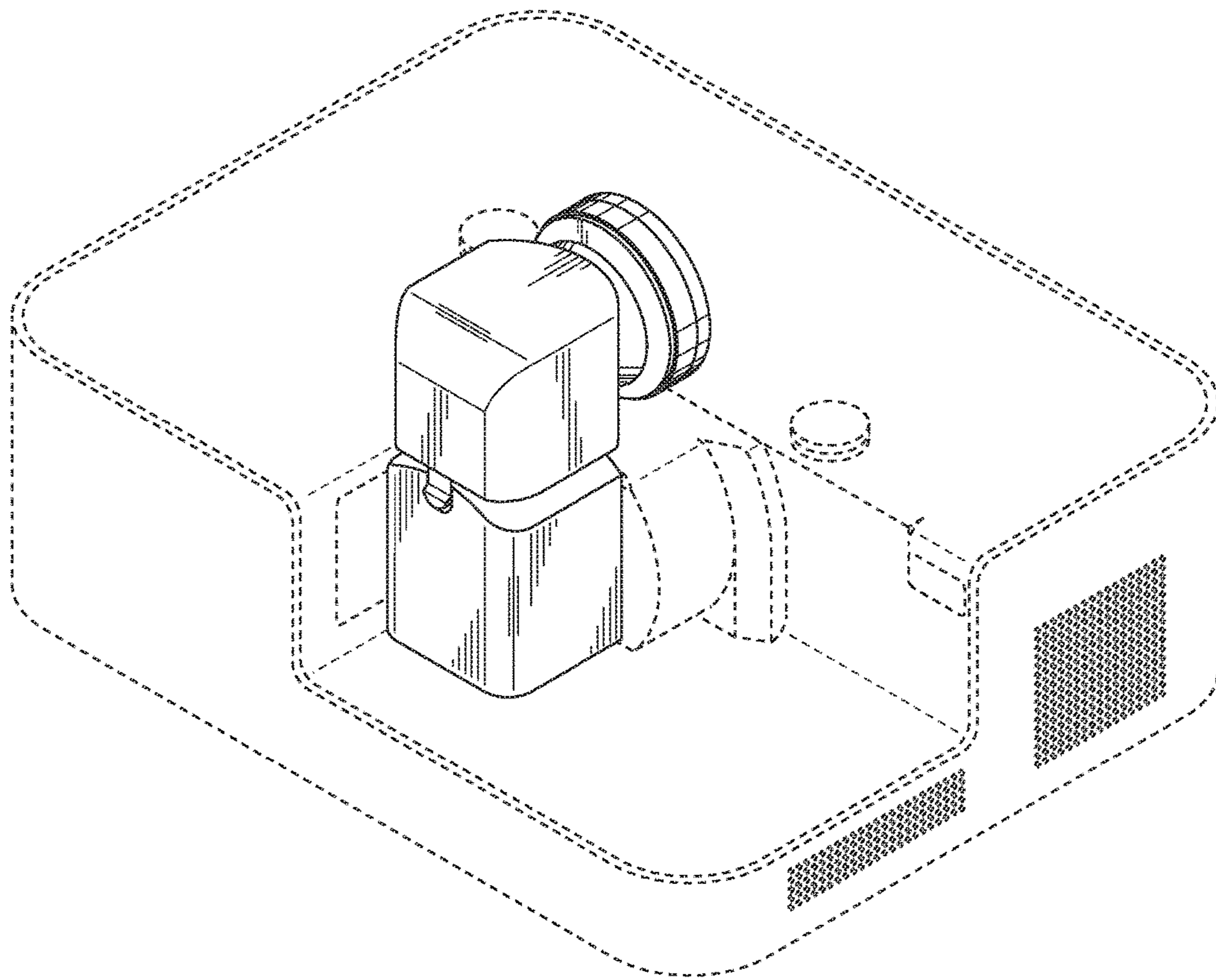


FIG. 10

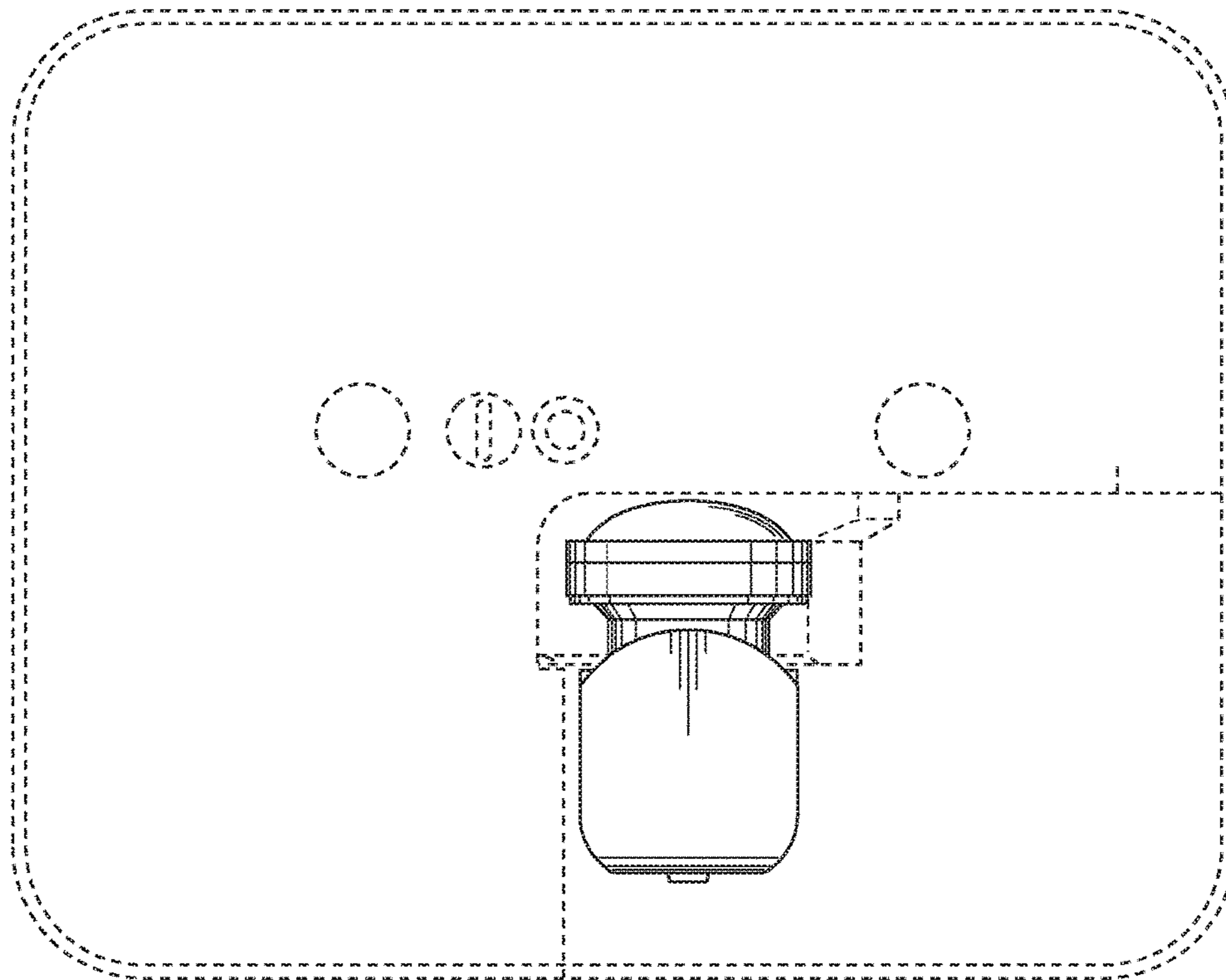


FIG. 11



FIG. 12

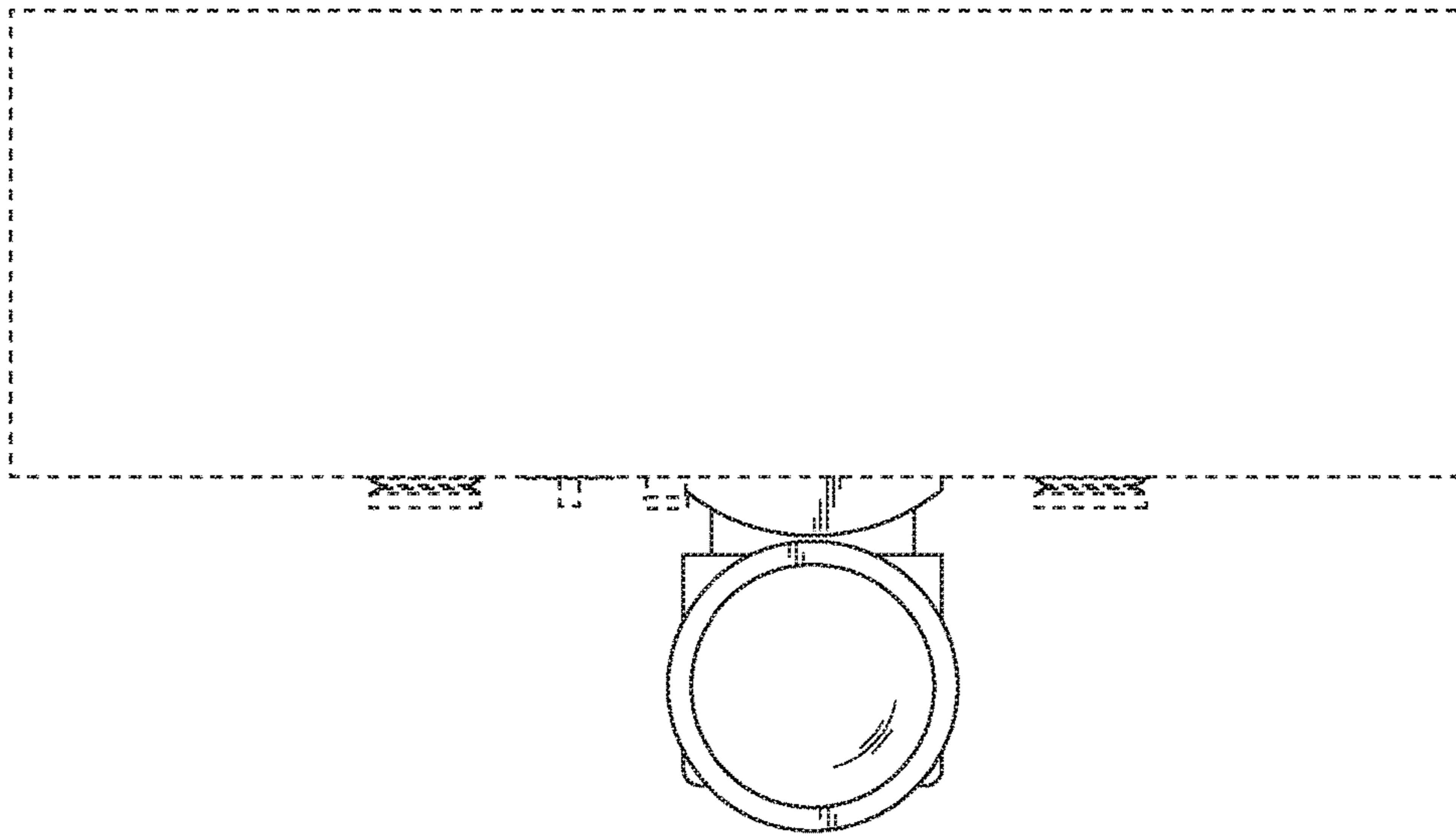


FIG. 13

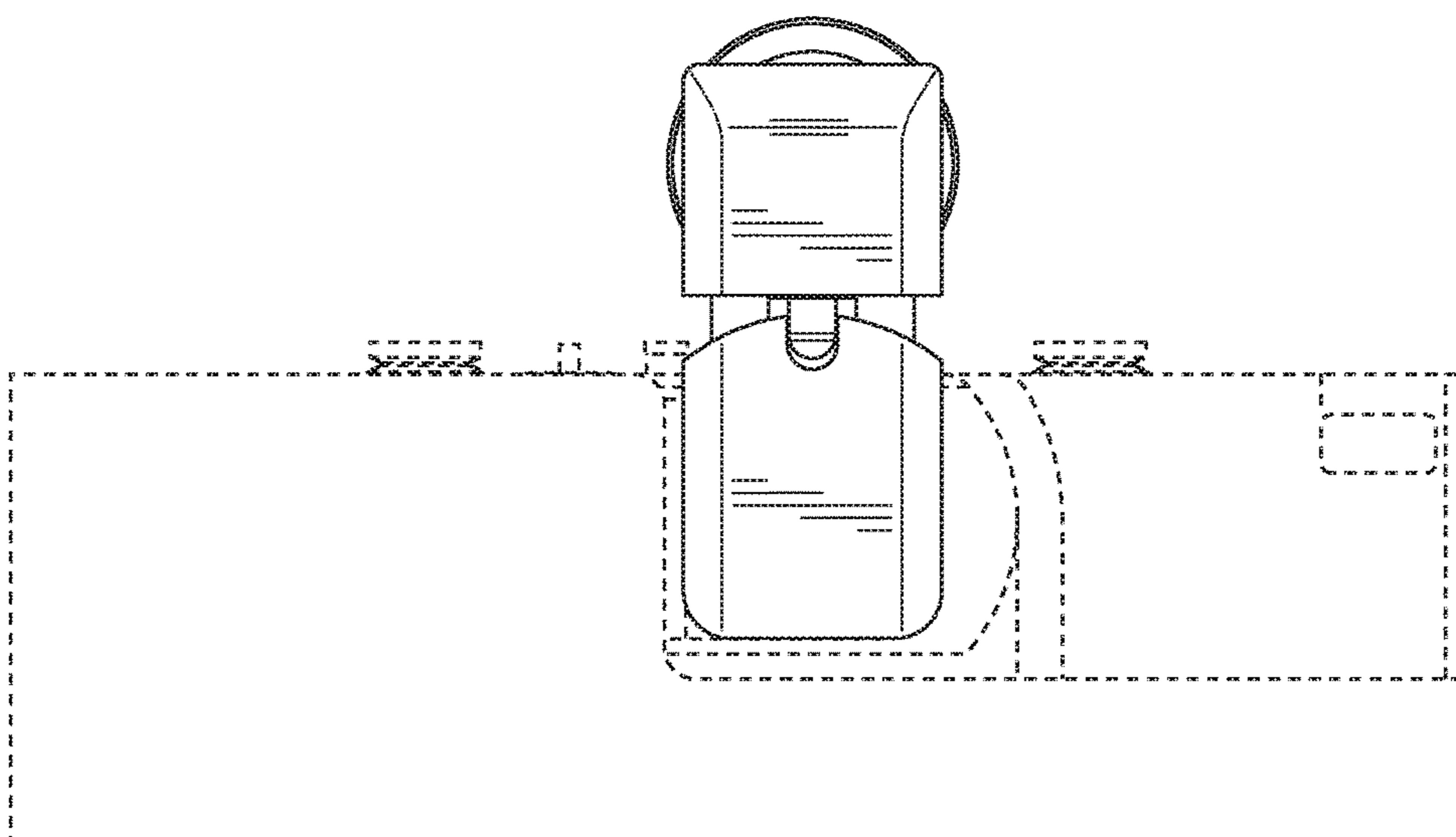


FIG. 14

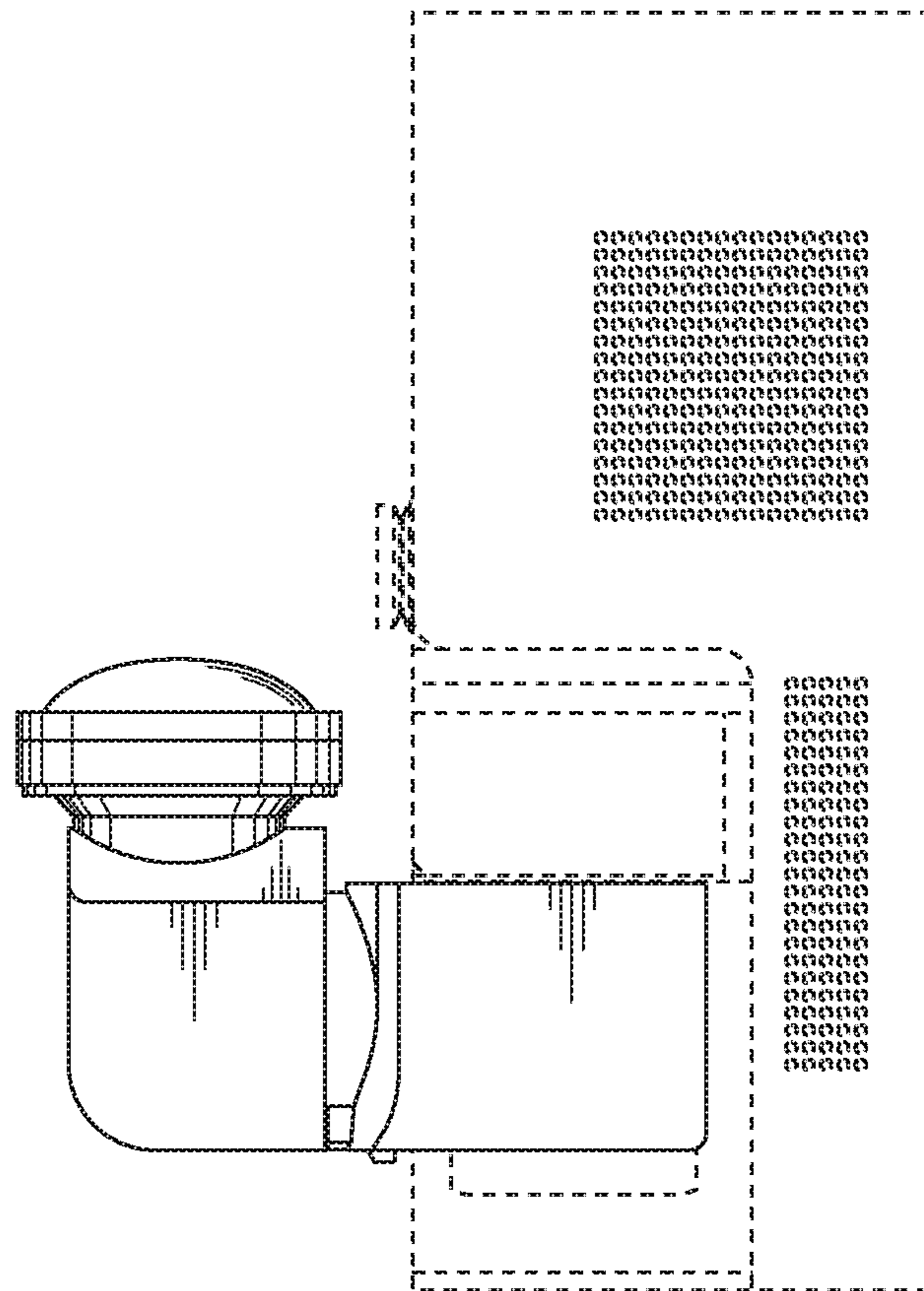


FIG. 15

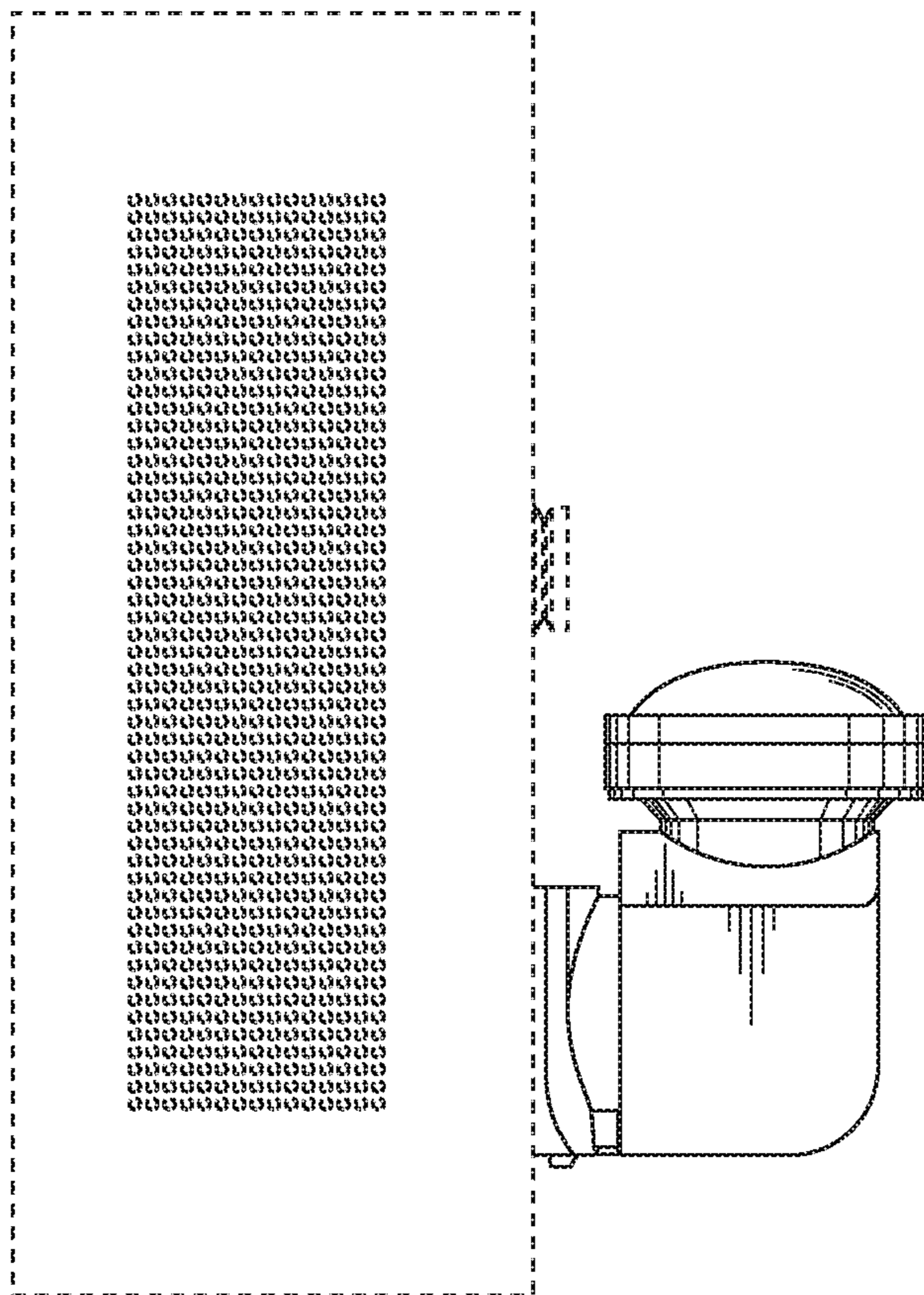


FIG. 16

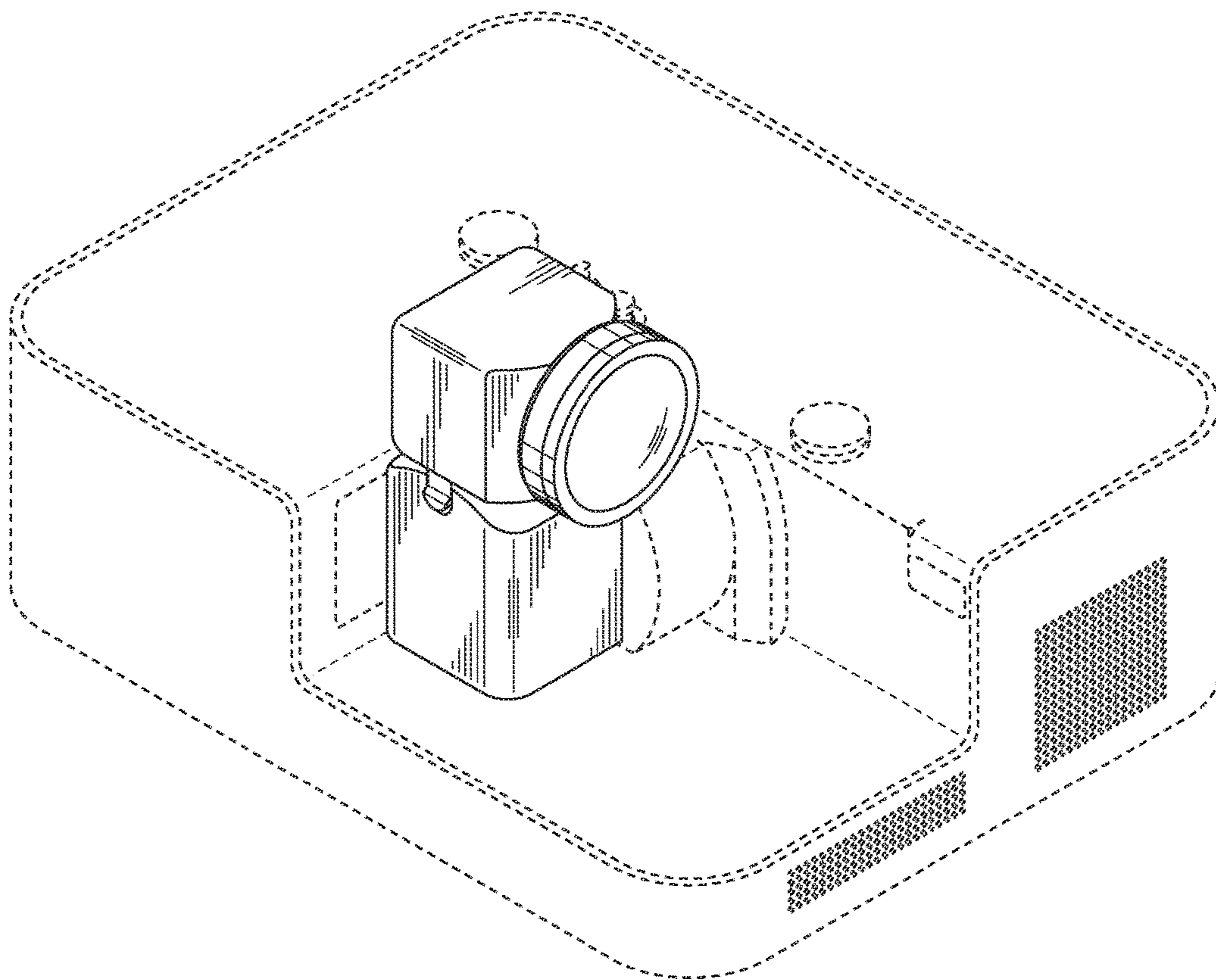


FIG. 17

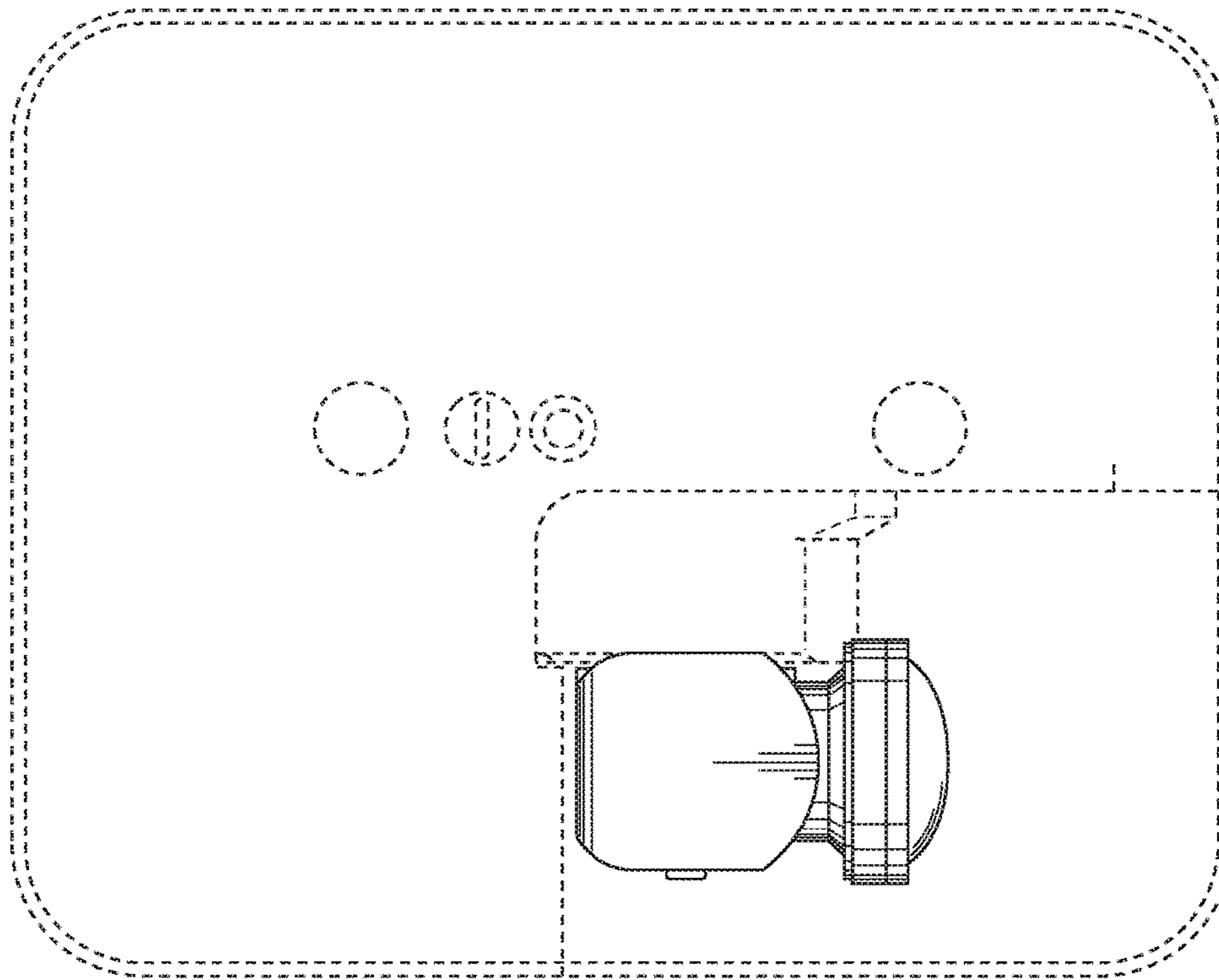


FIG. 18



FIG. 19

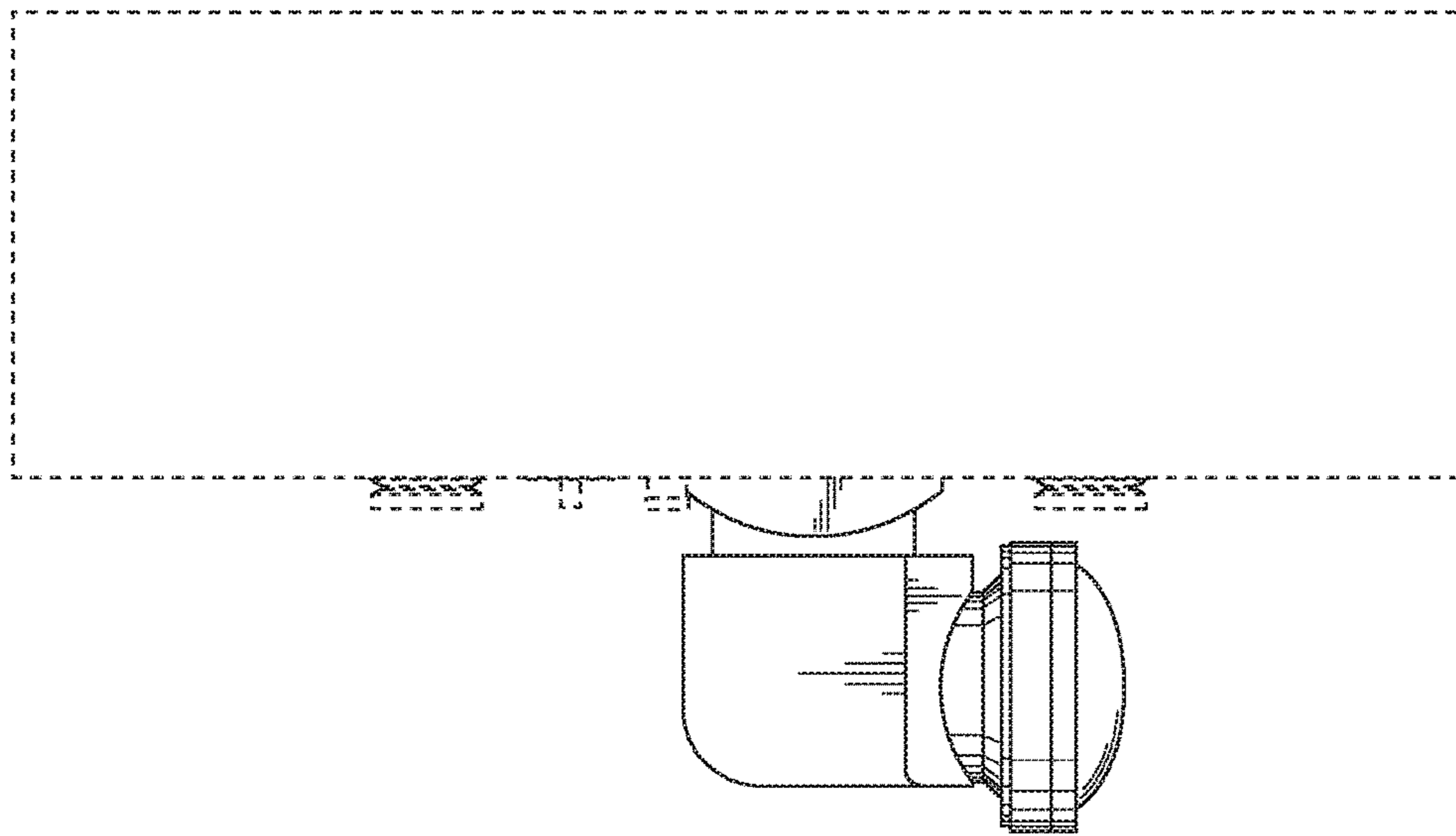


FIG. 20

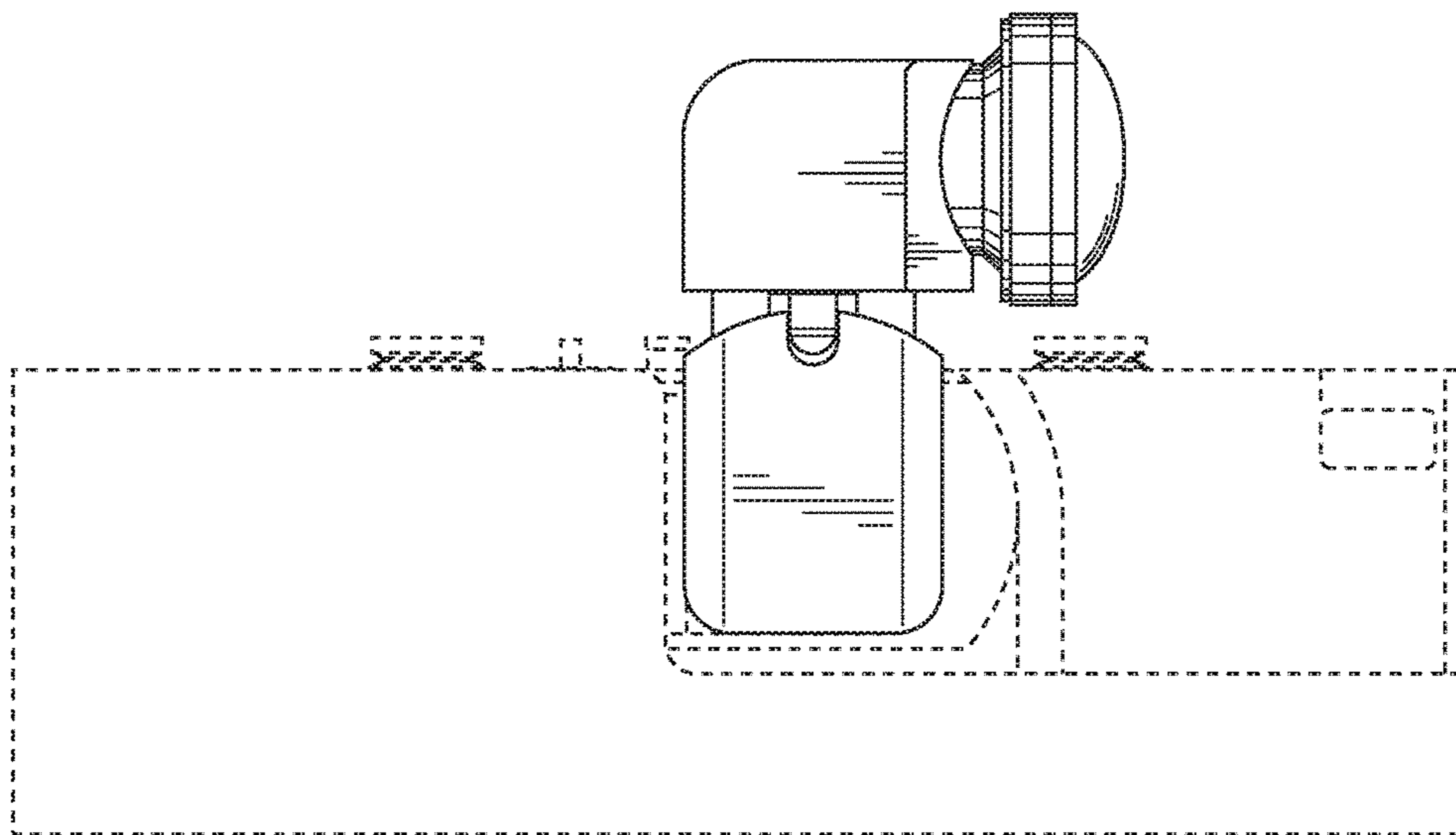


FIG. 21

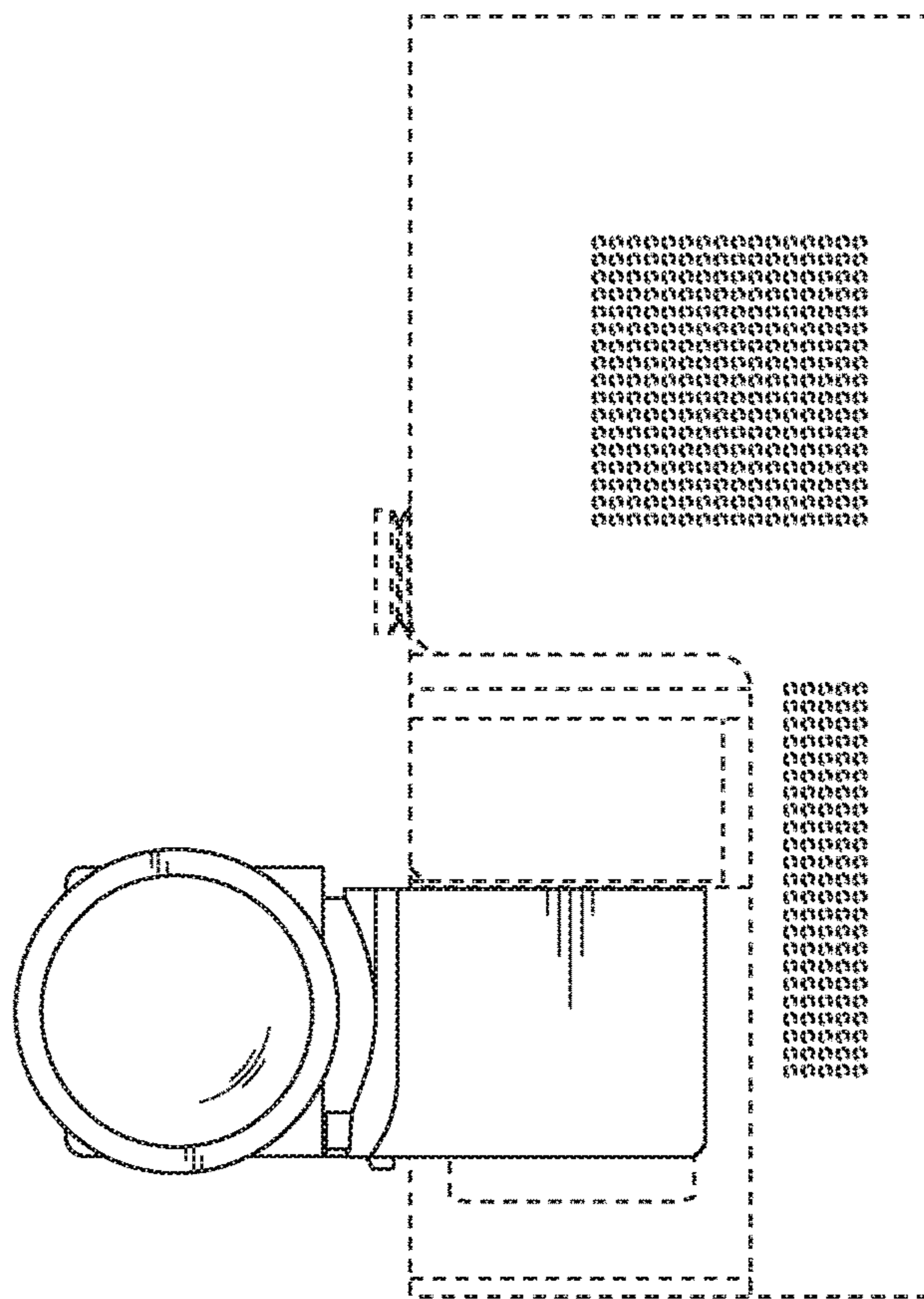


FIG. 22

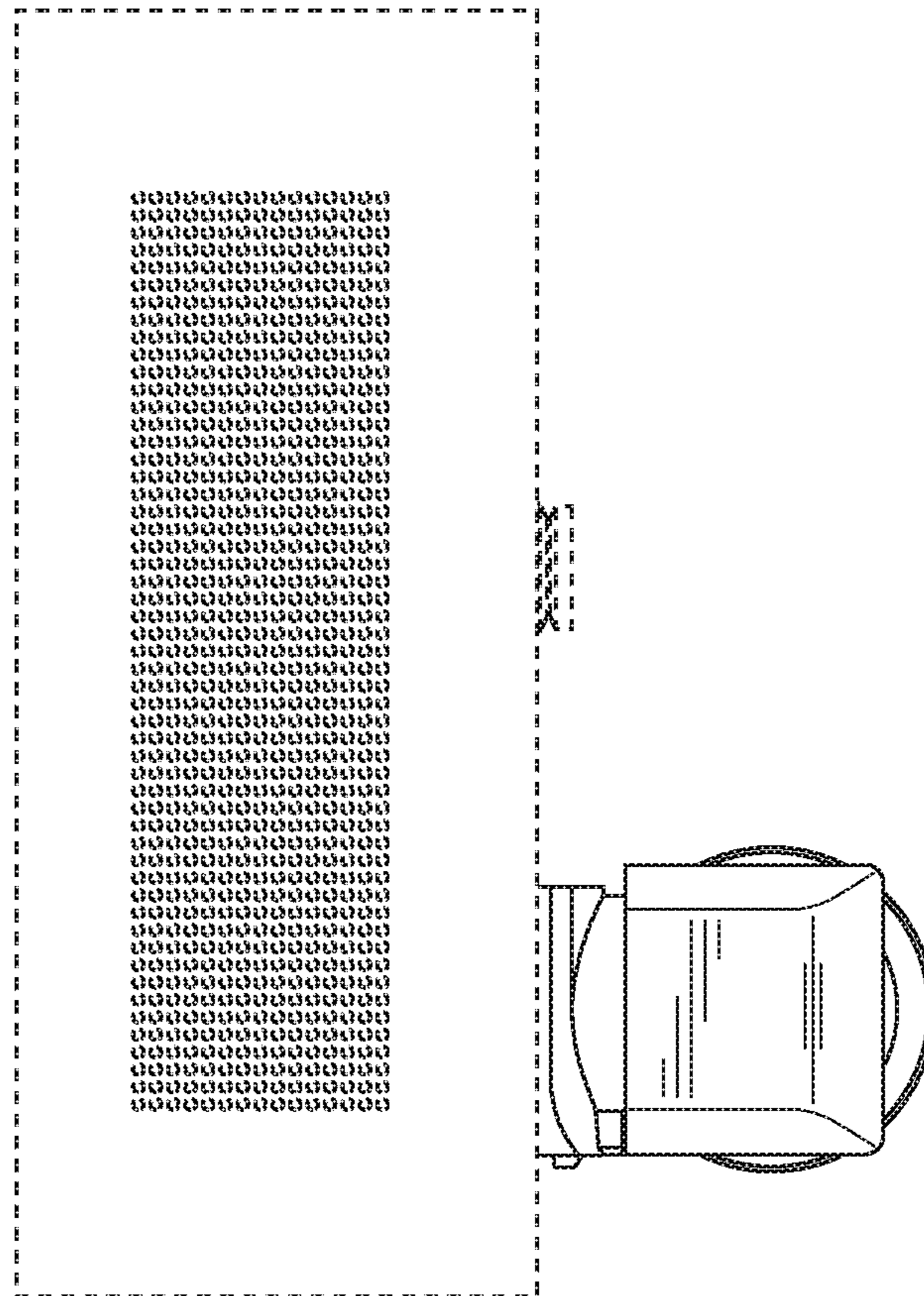


FIG. 23

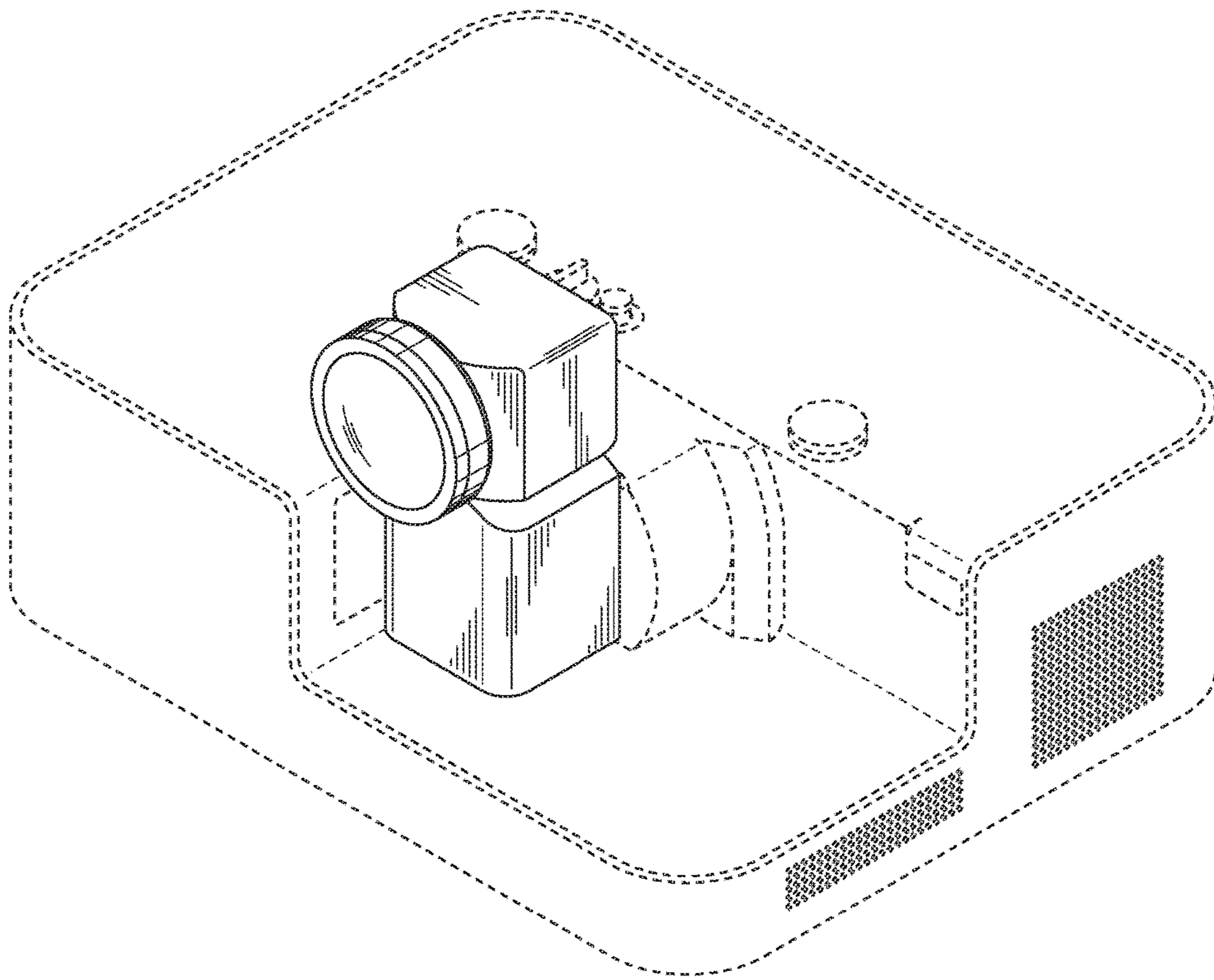


FIG. 24

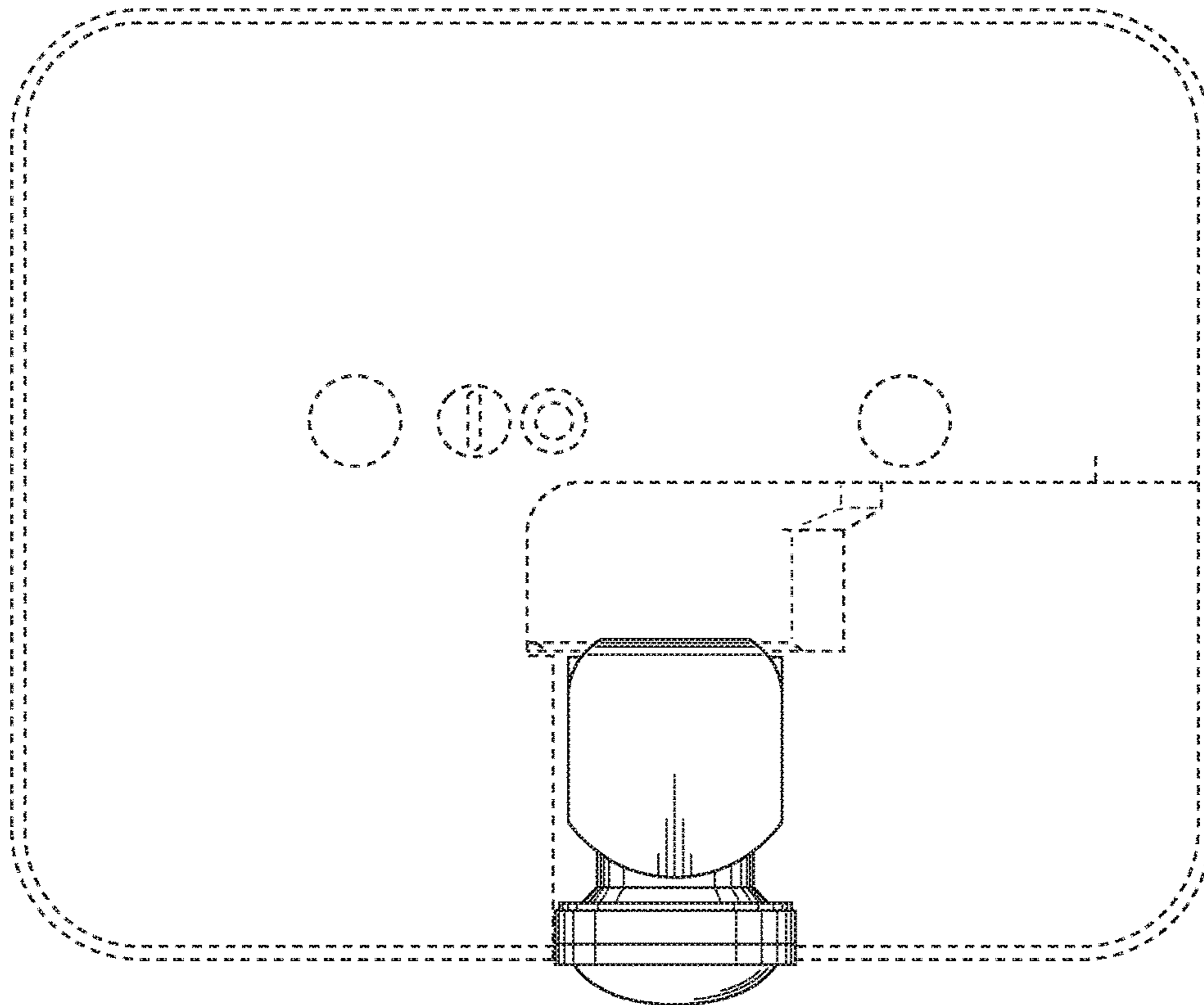


FIG. 25

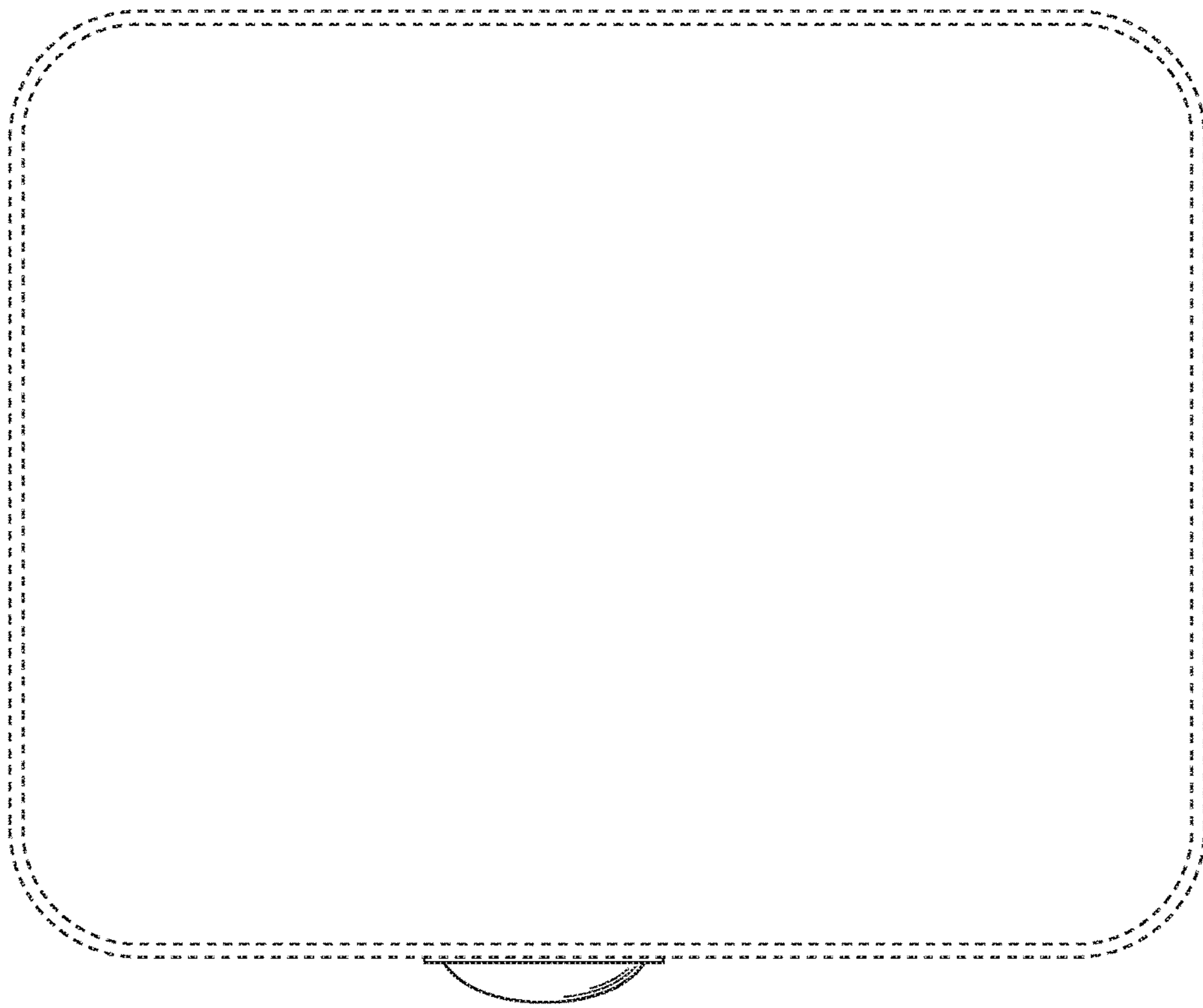


FIG. 26

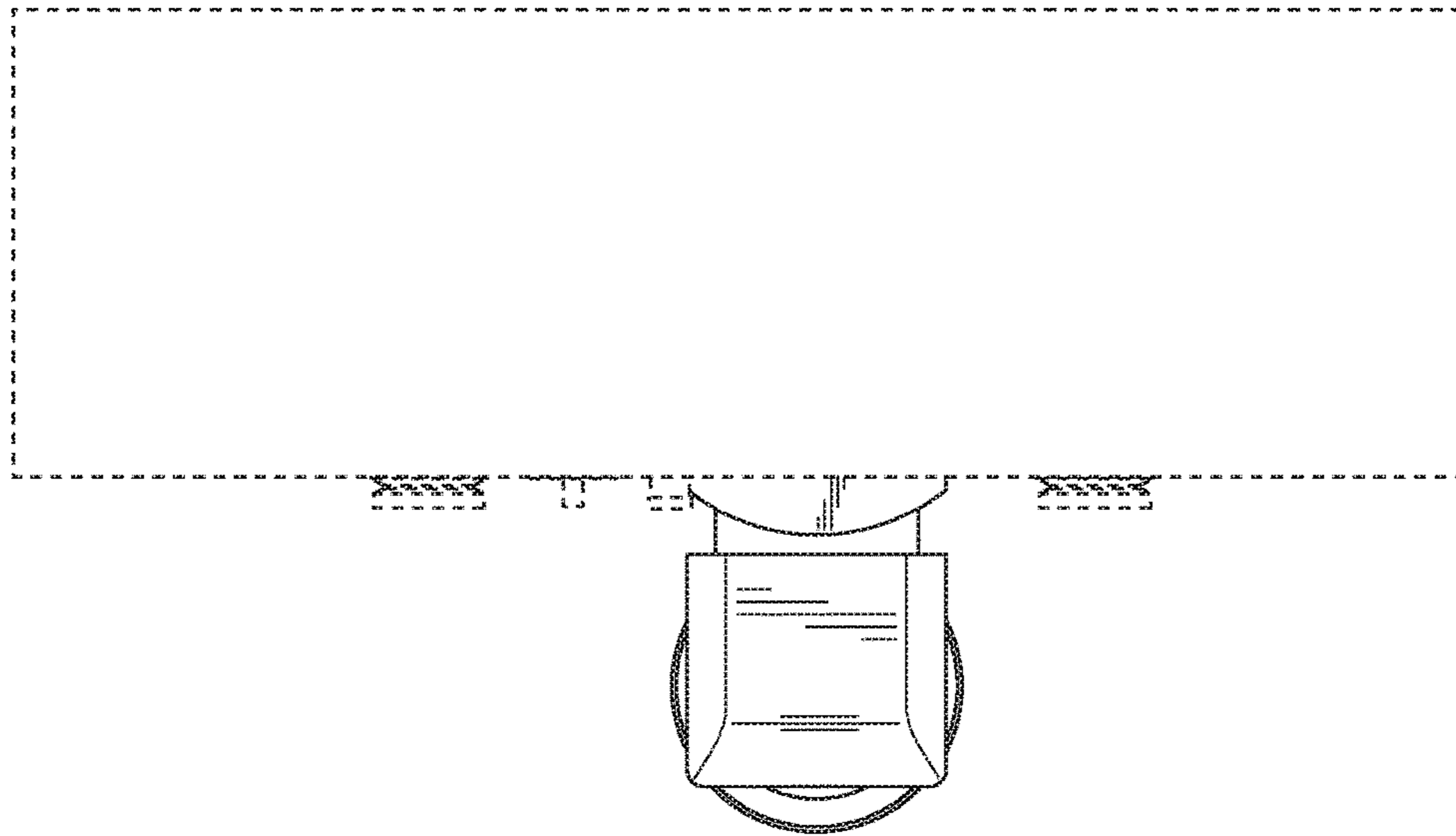


FIG. 27

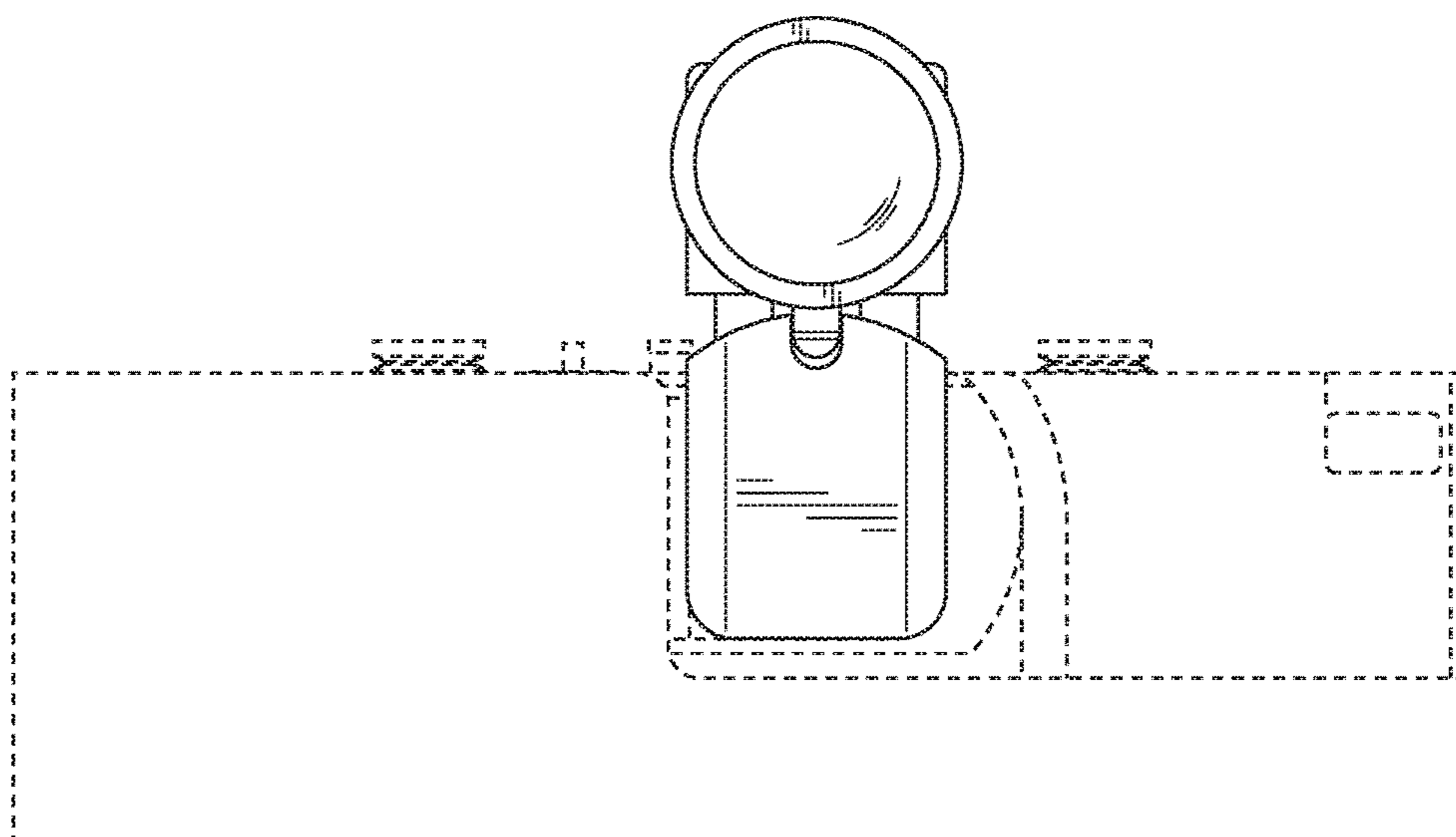


FIG. 28

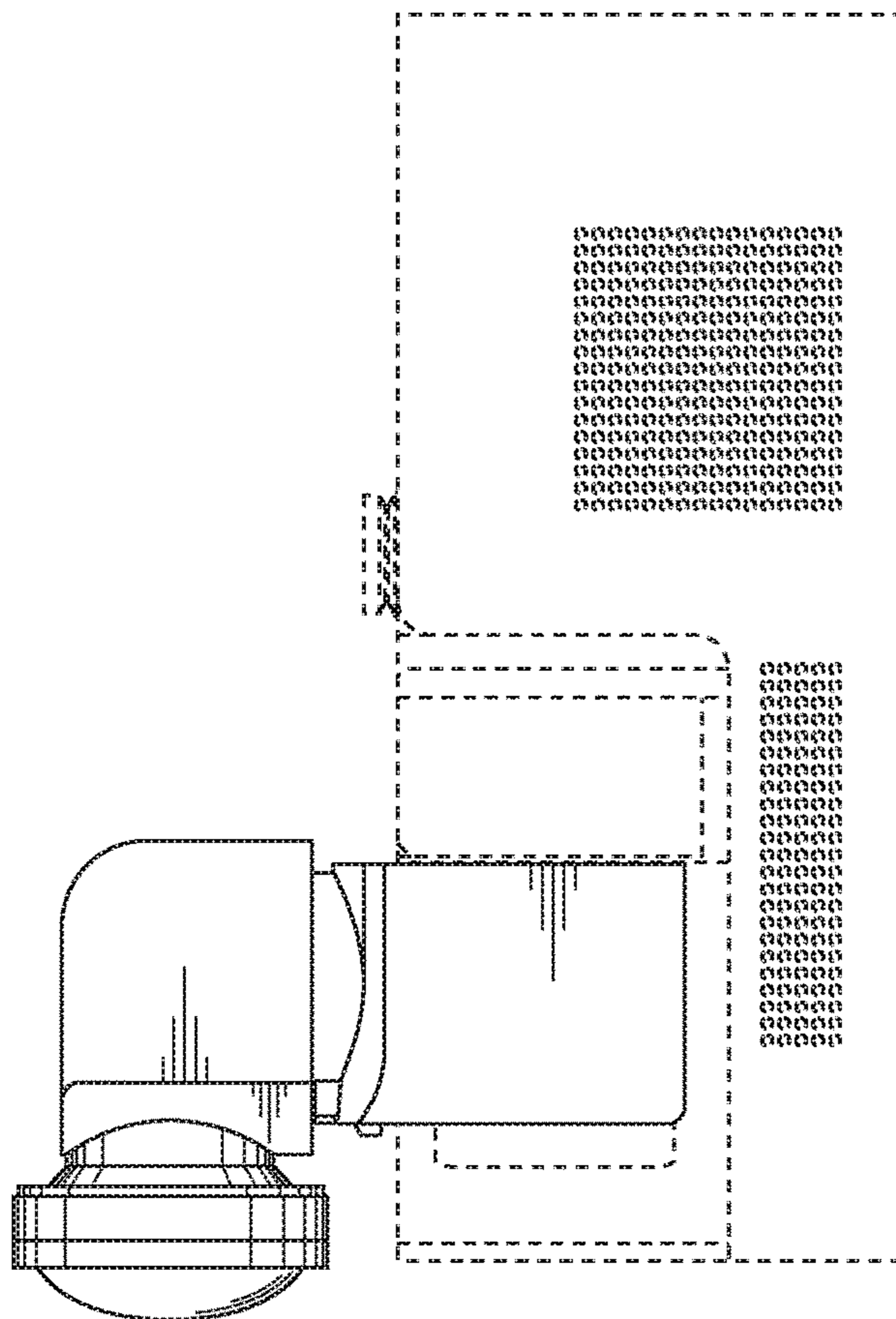


FIG. 29

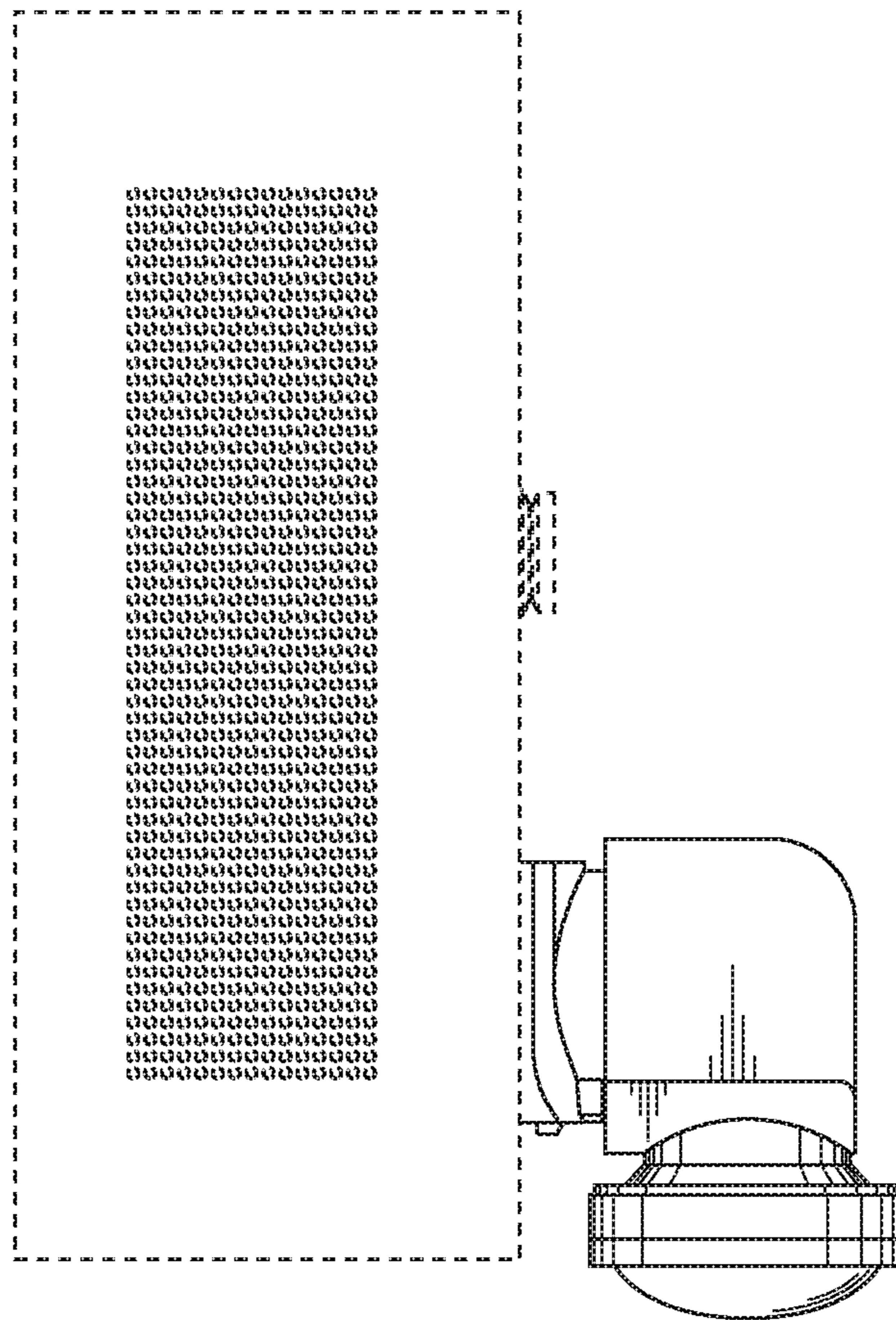


FIG. 30

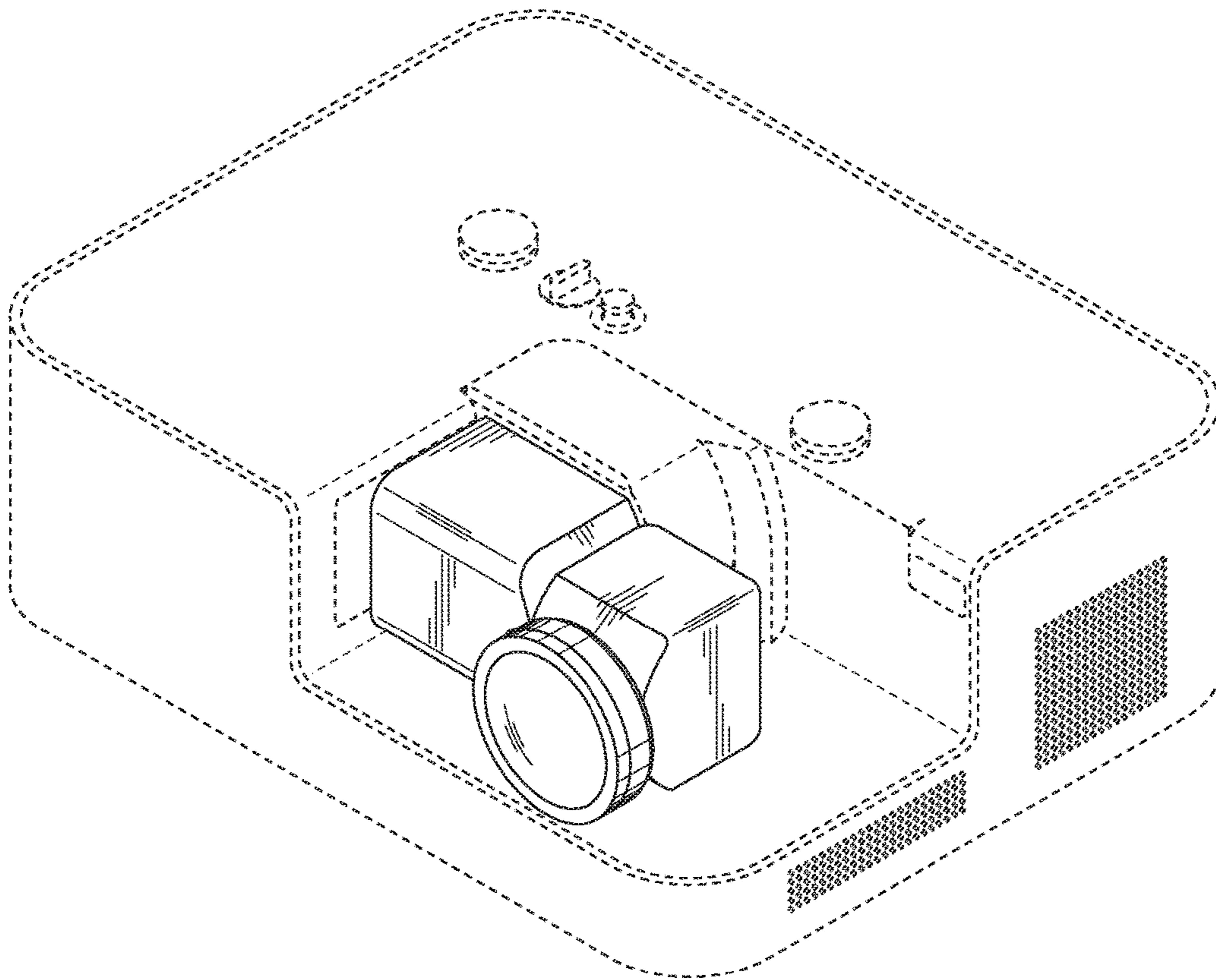


FIG. 31

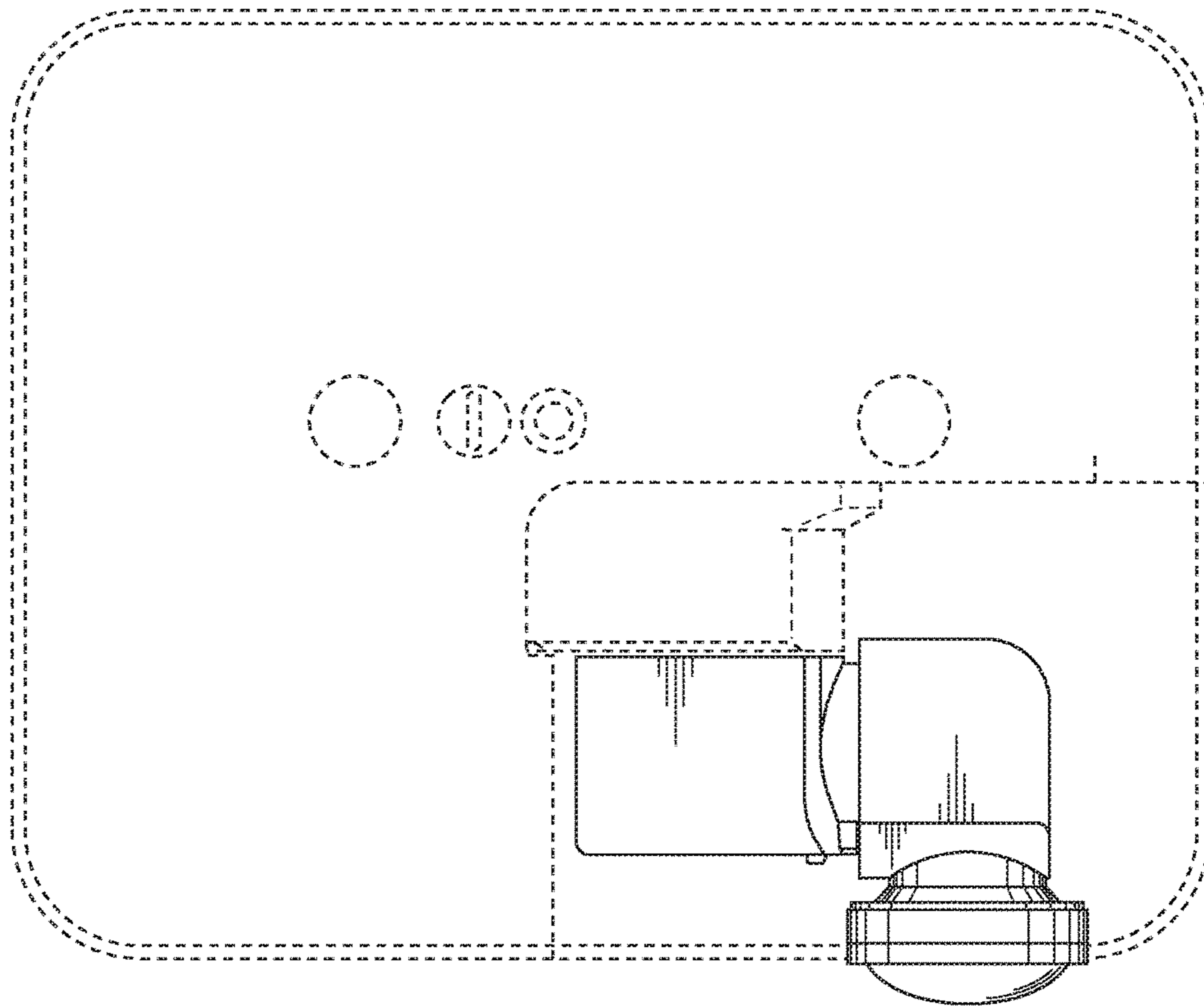


FIG. 32

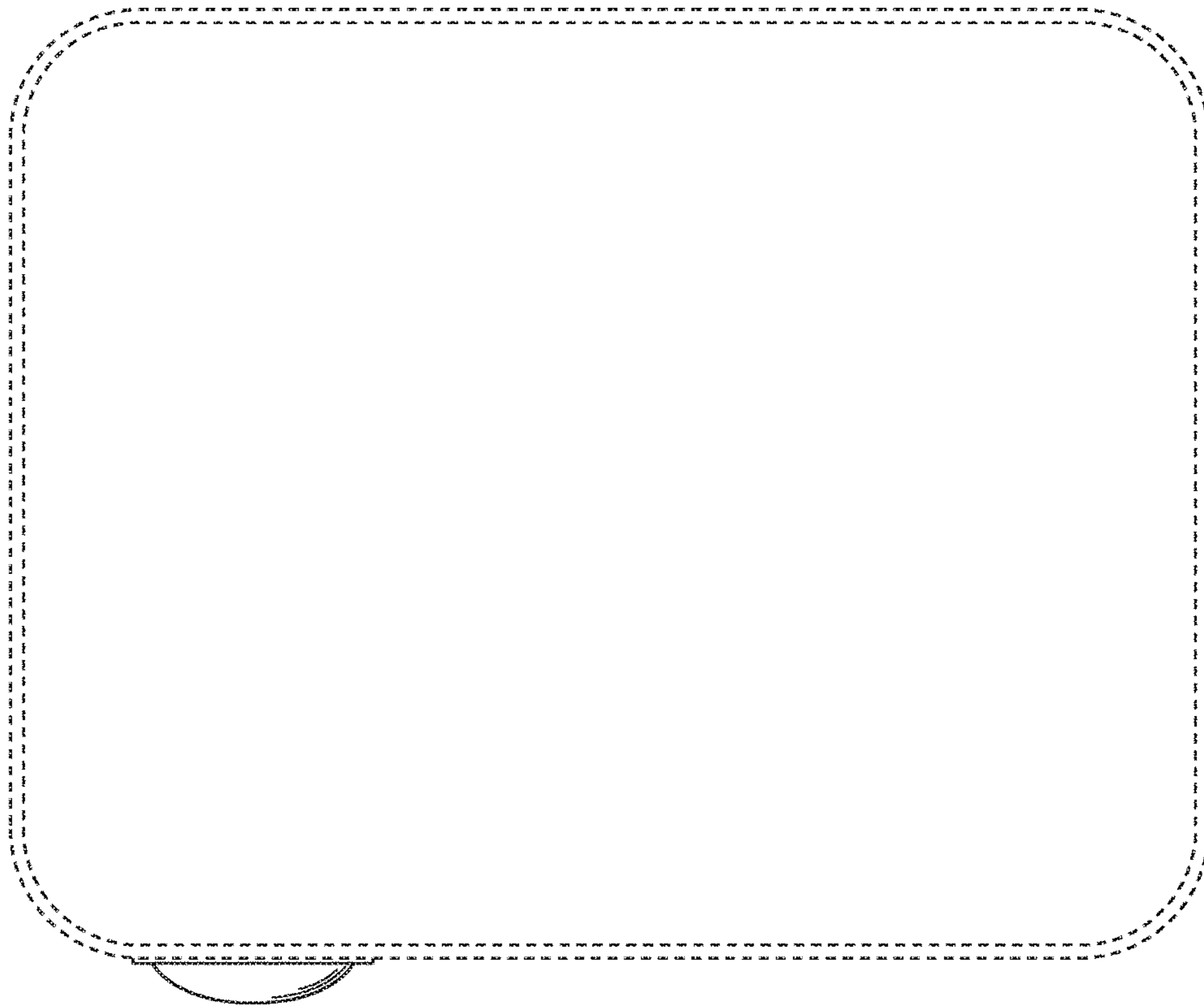


FIG. 33

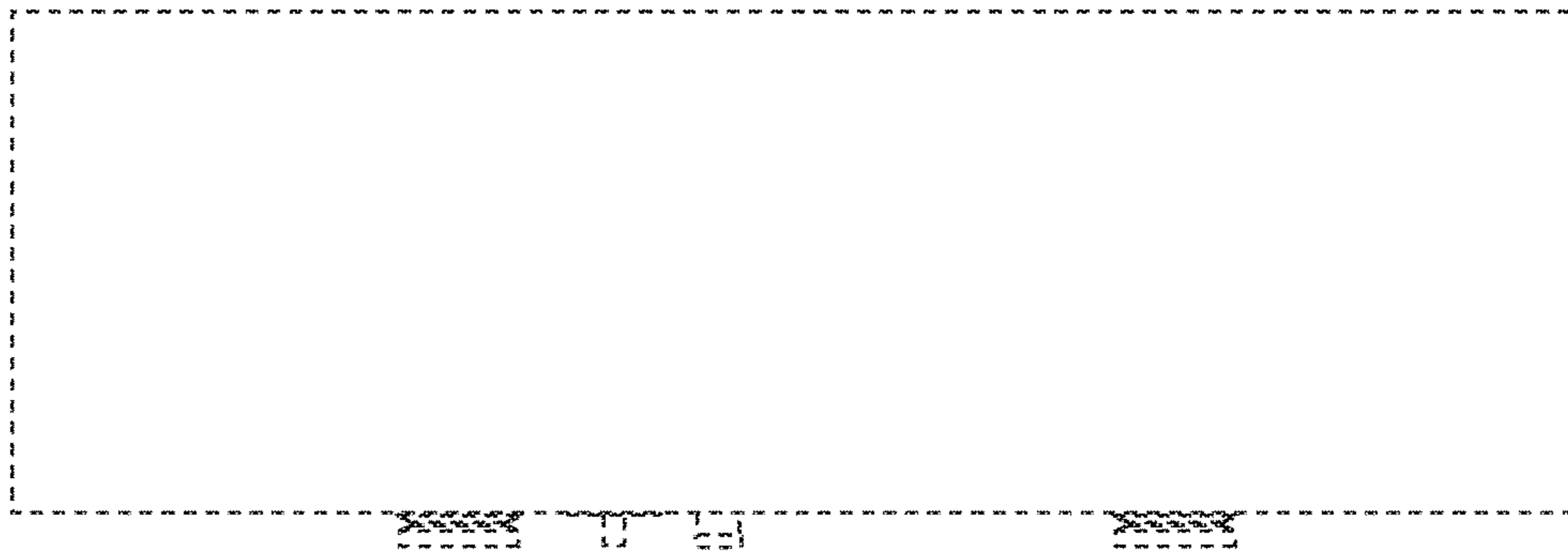


FIG. 34

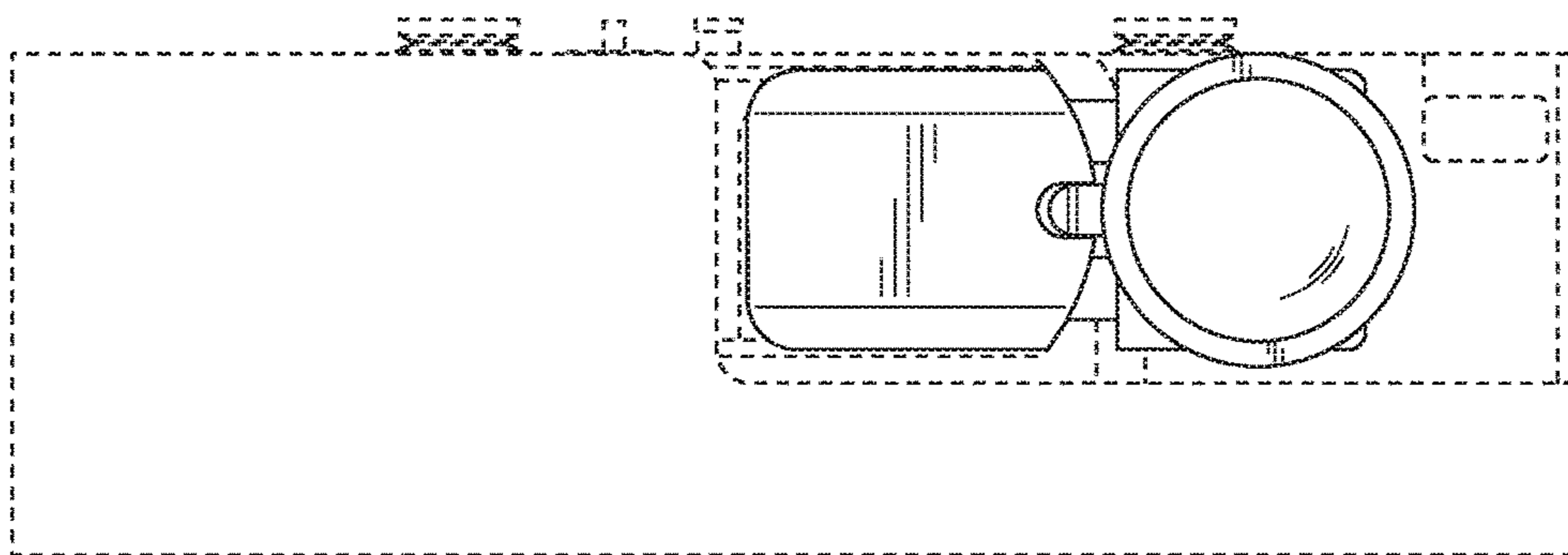


FIG. 35

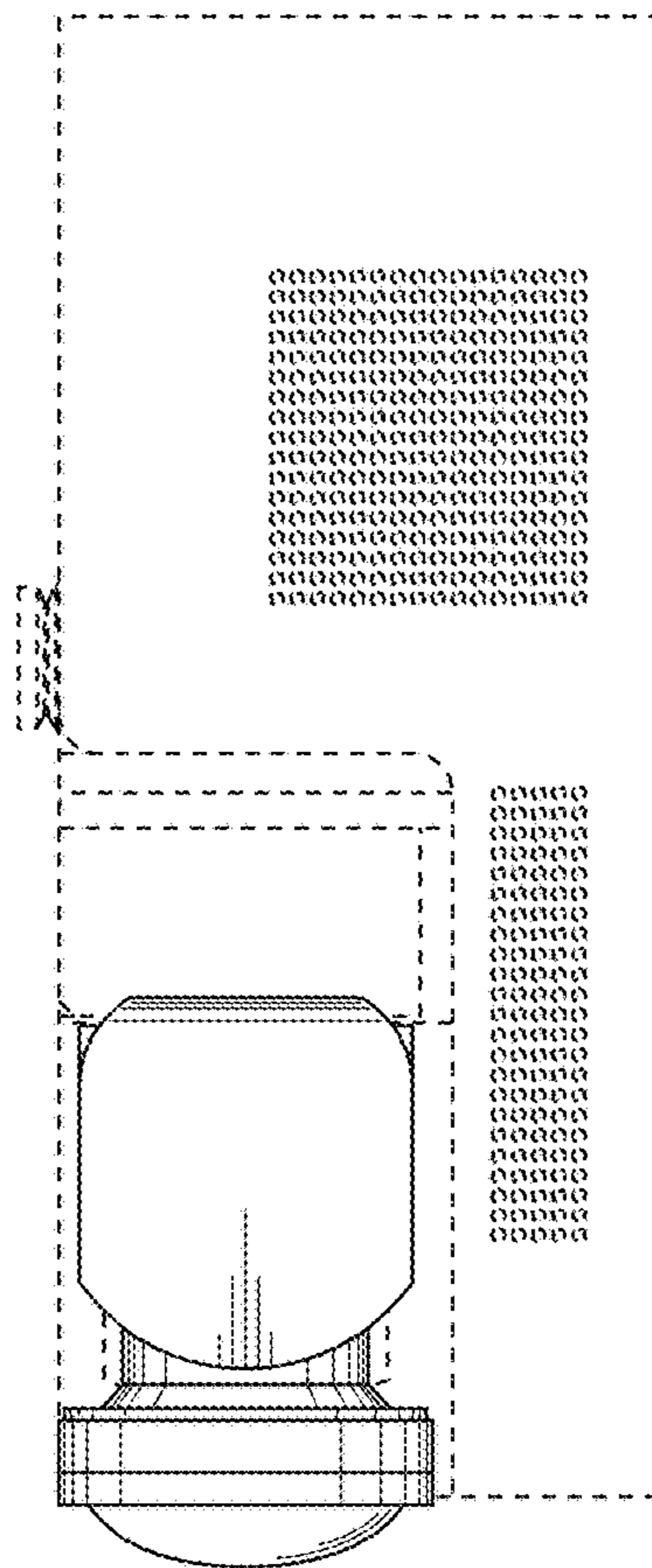


FIG. 36

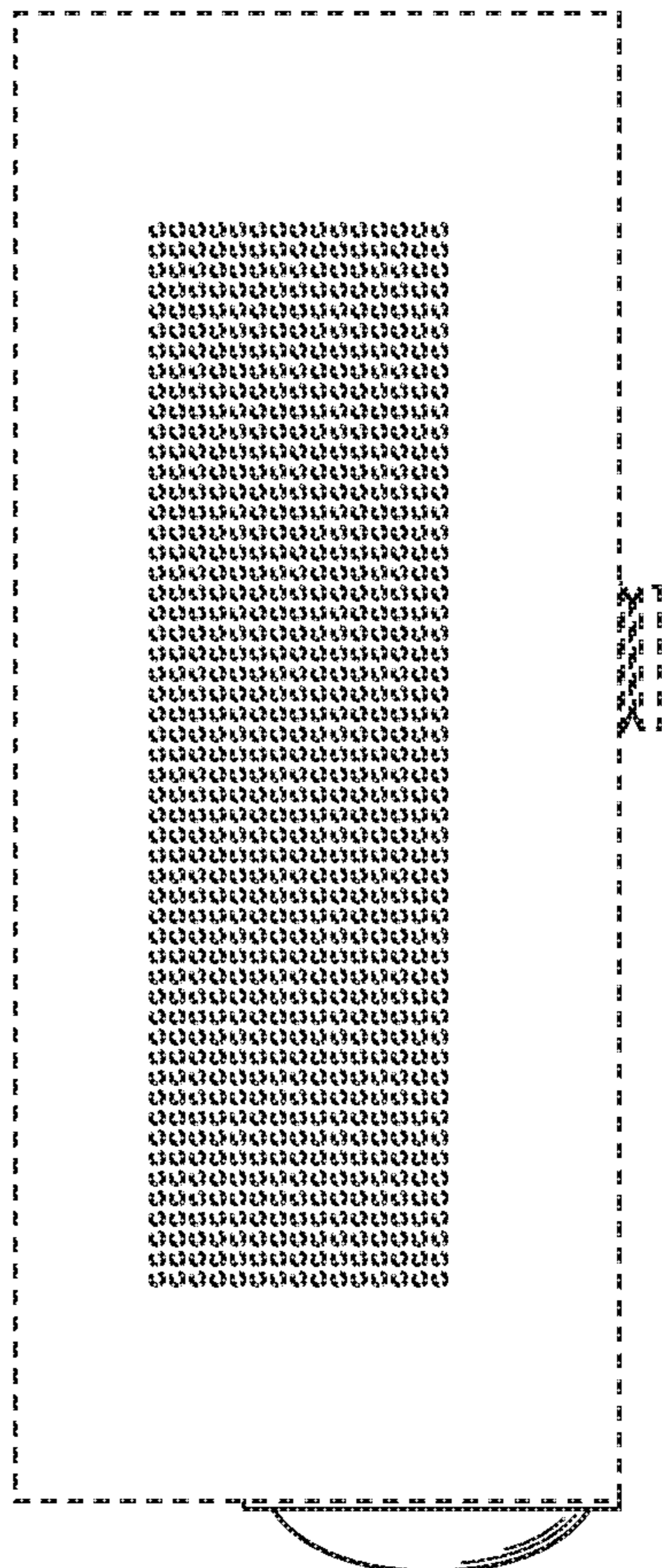


FIG. 37

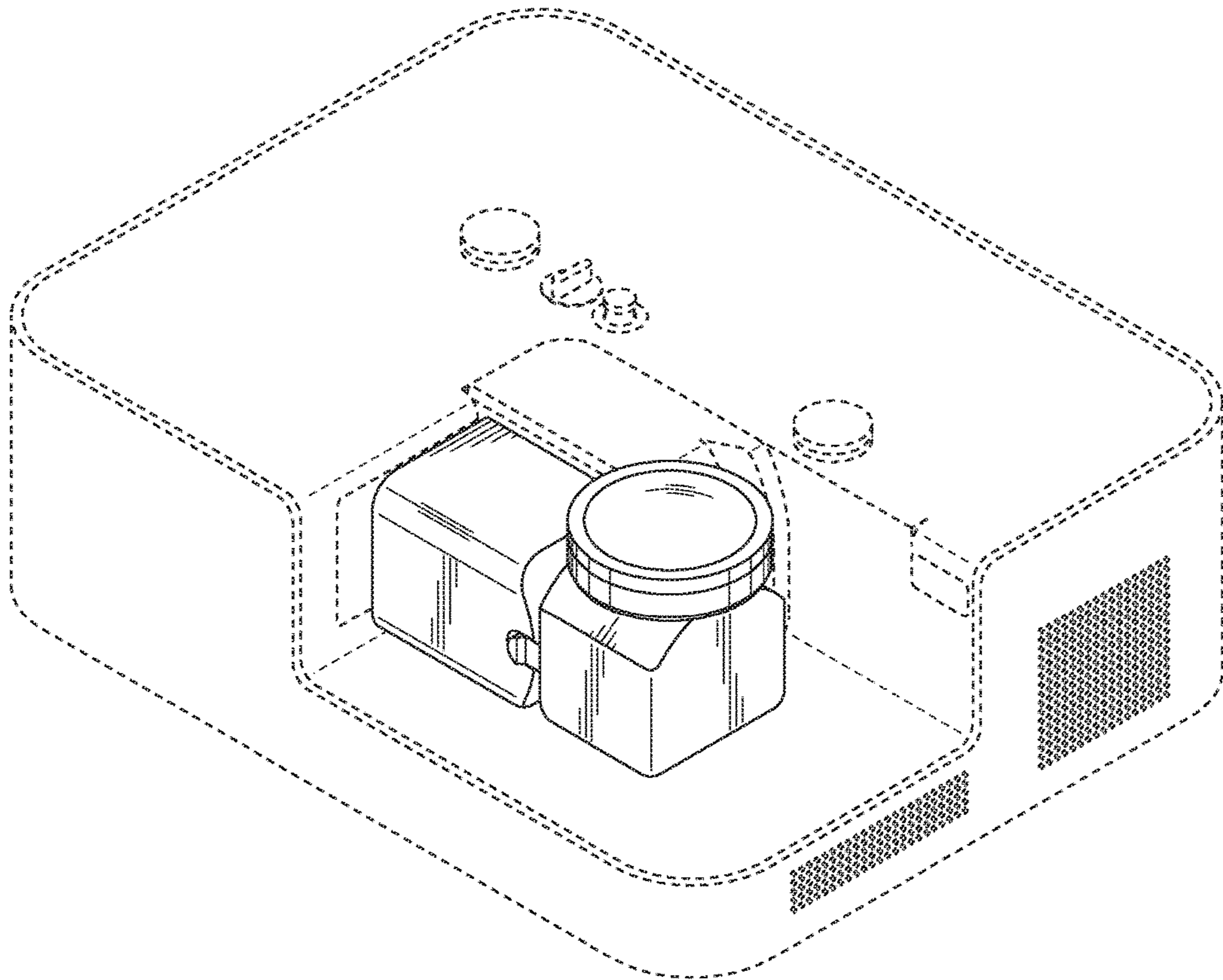


FIG. 38

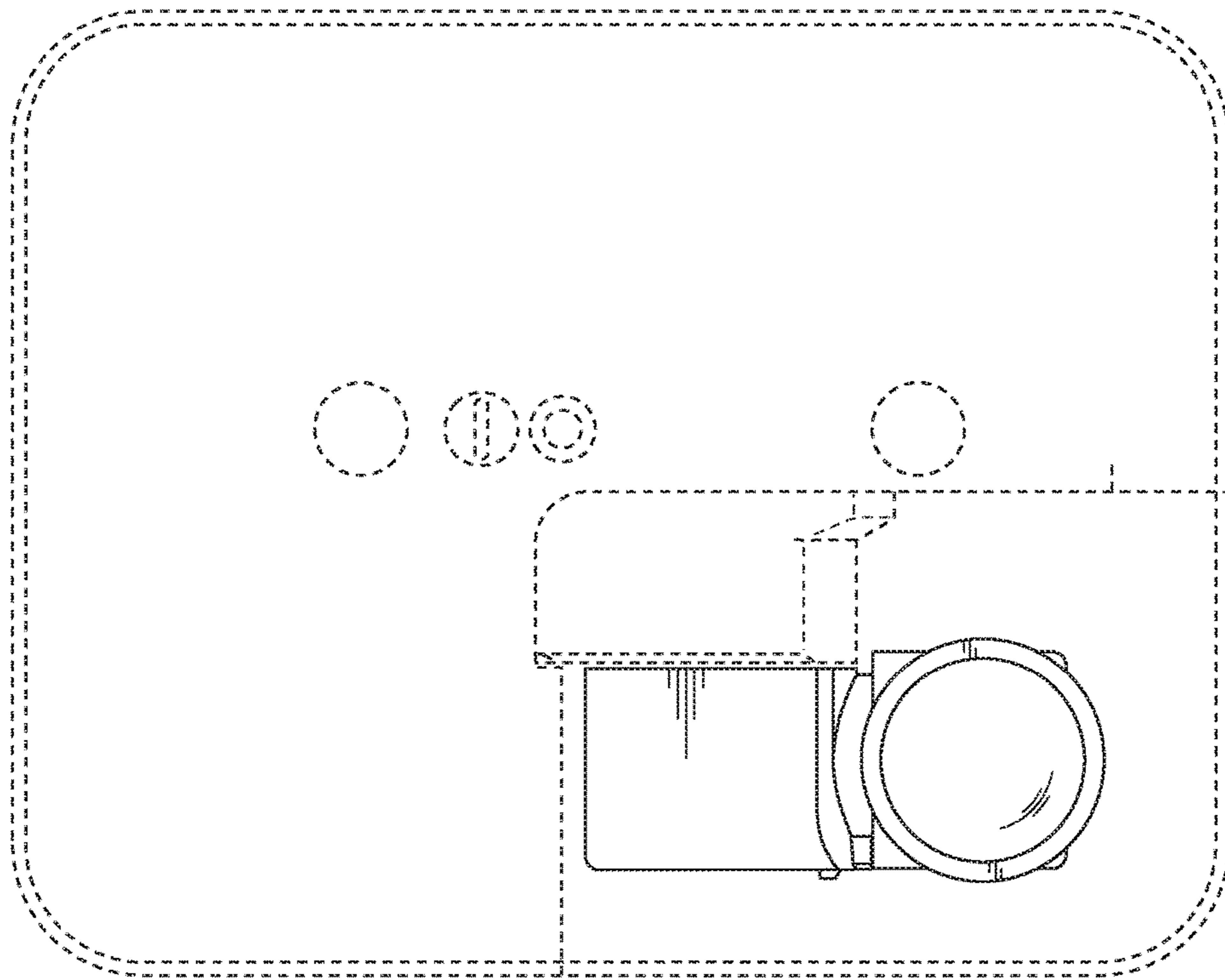


FIG. 39



FIG. 40

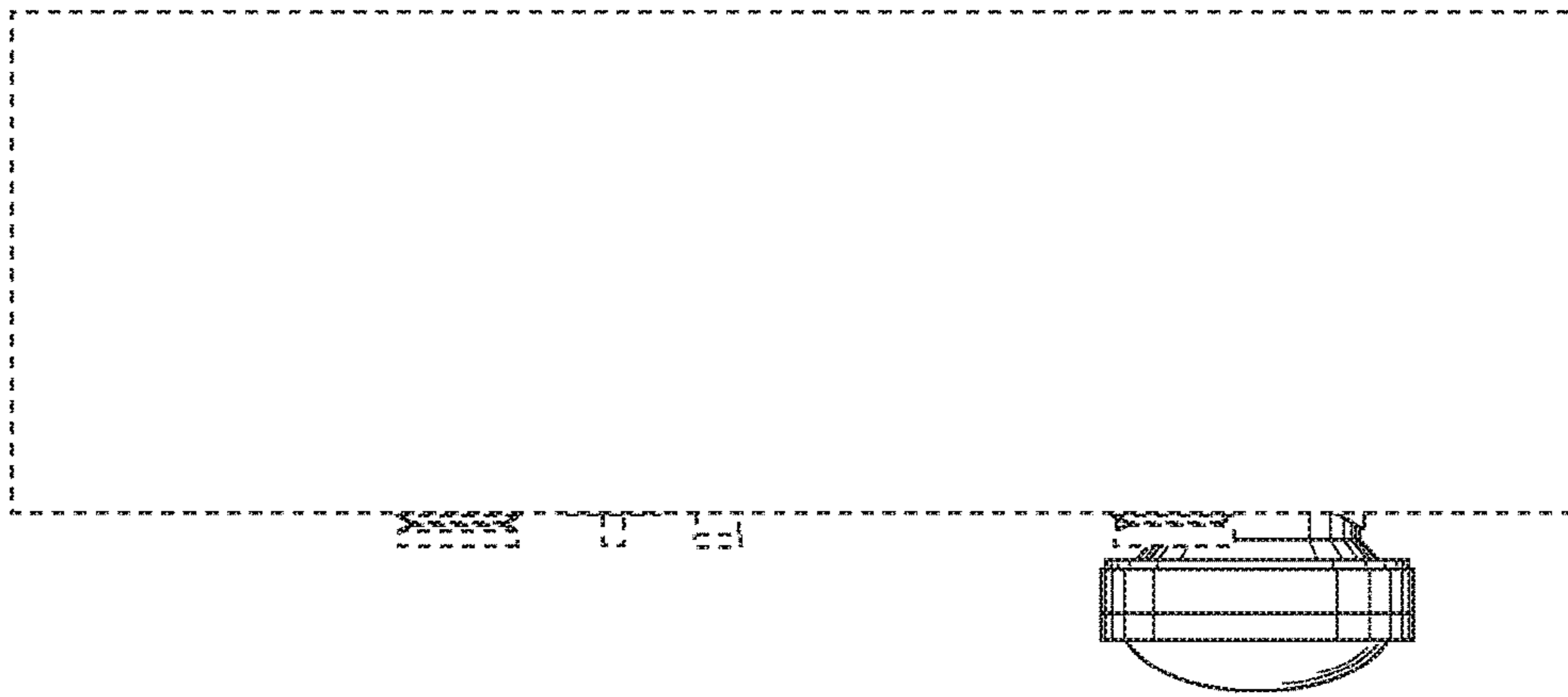


FIG. 41

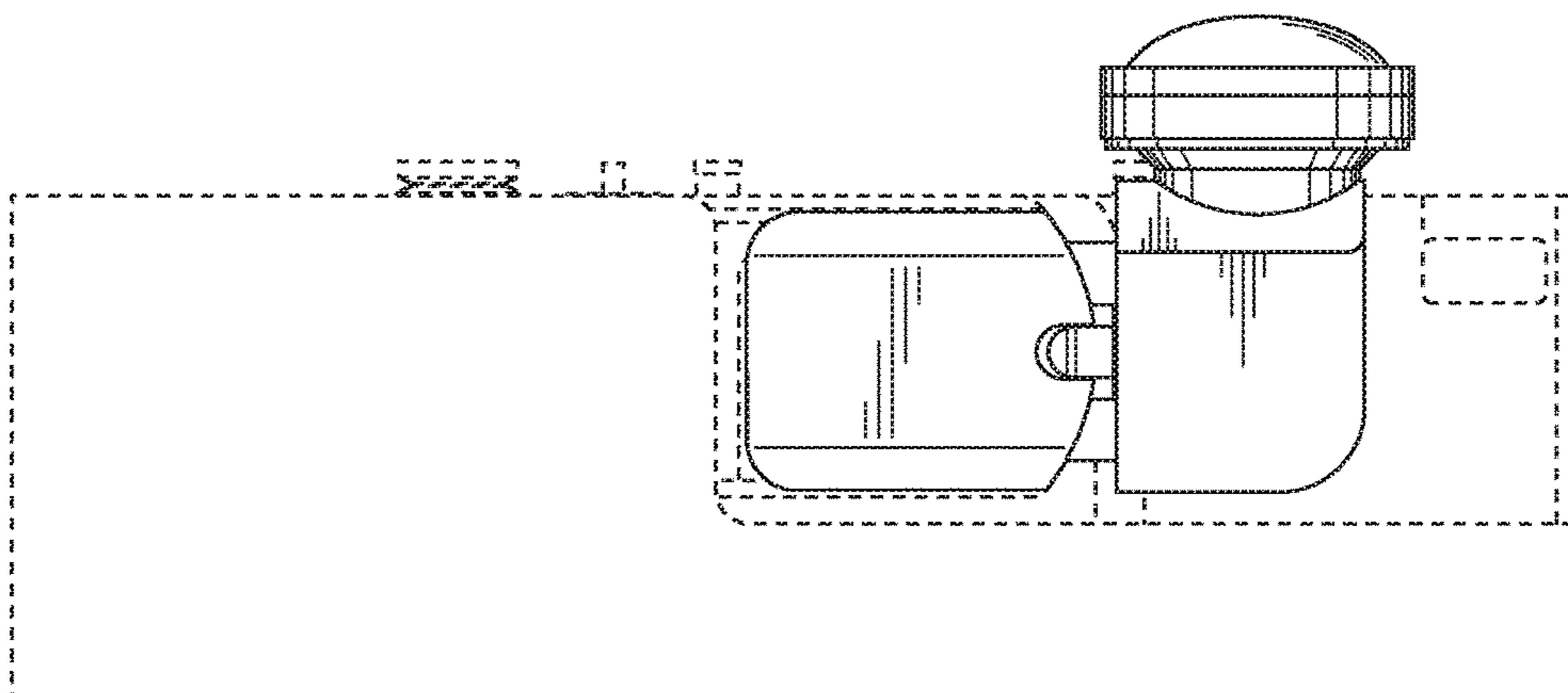


FIG. 42

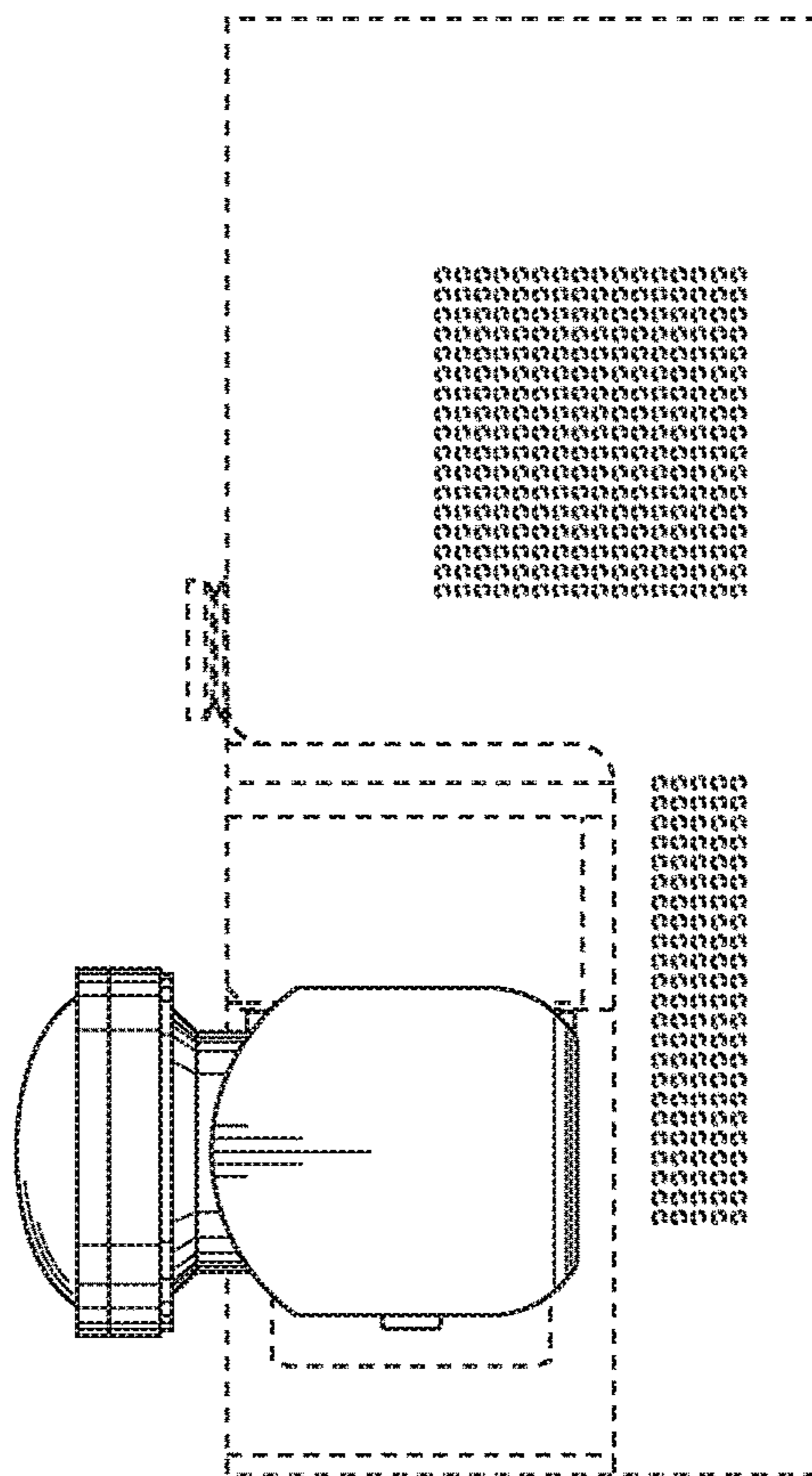


FIG. 43

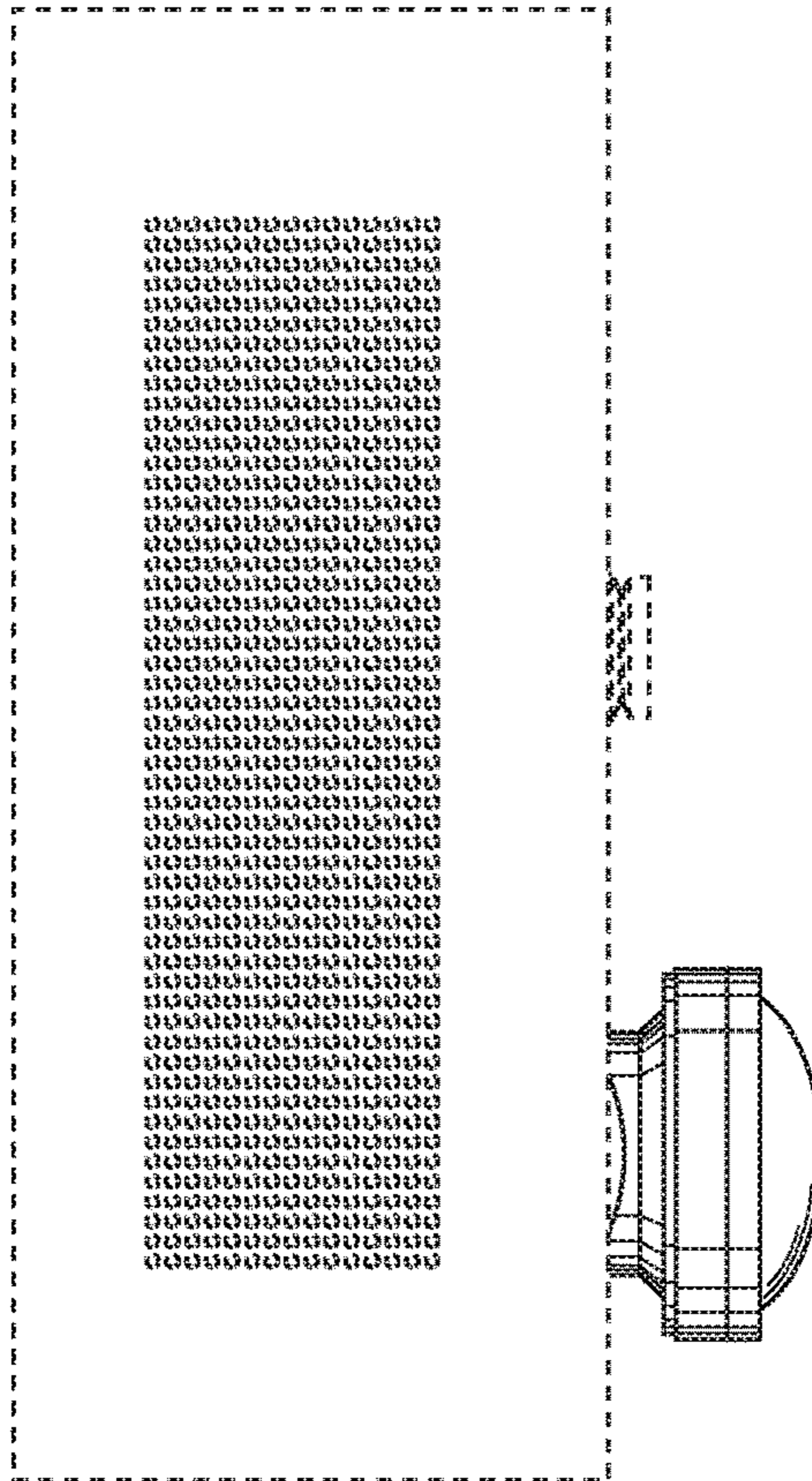


FIG. 44

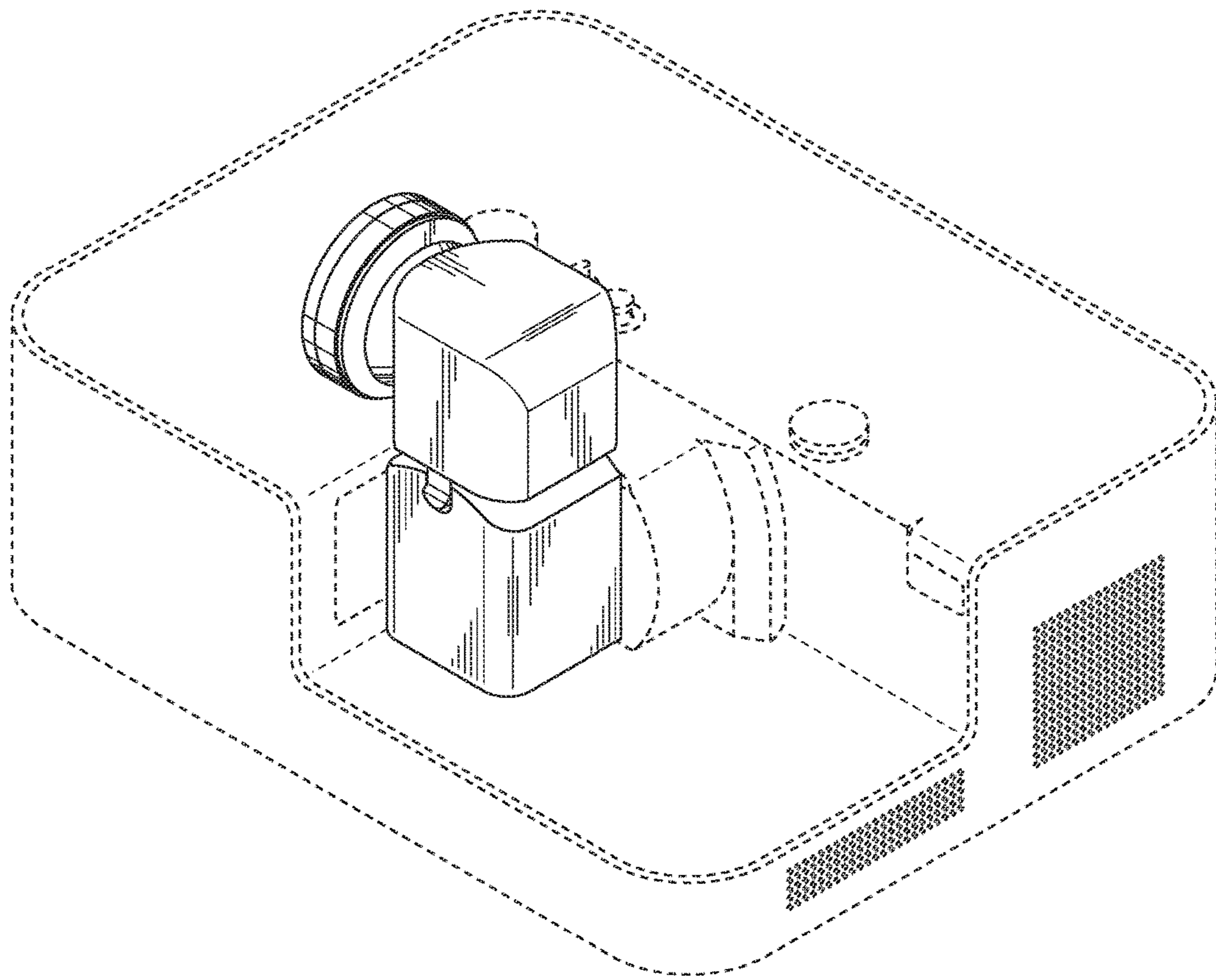


FIG. 45

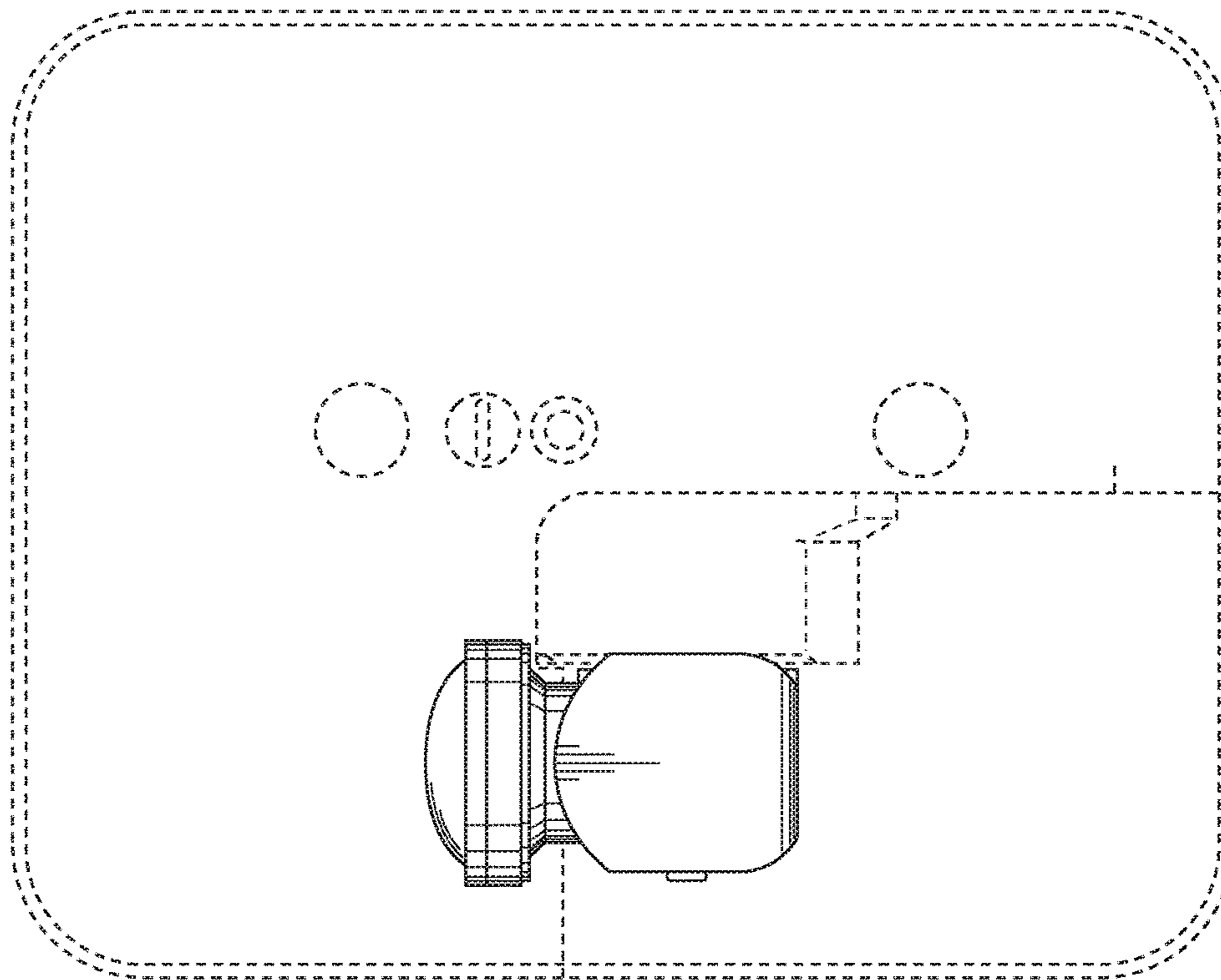


FIG. 46



FIG. 47

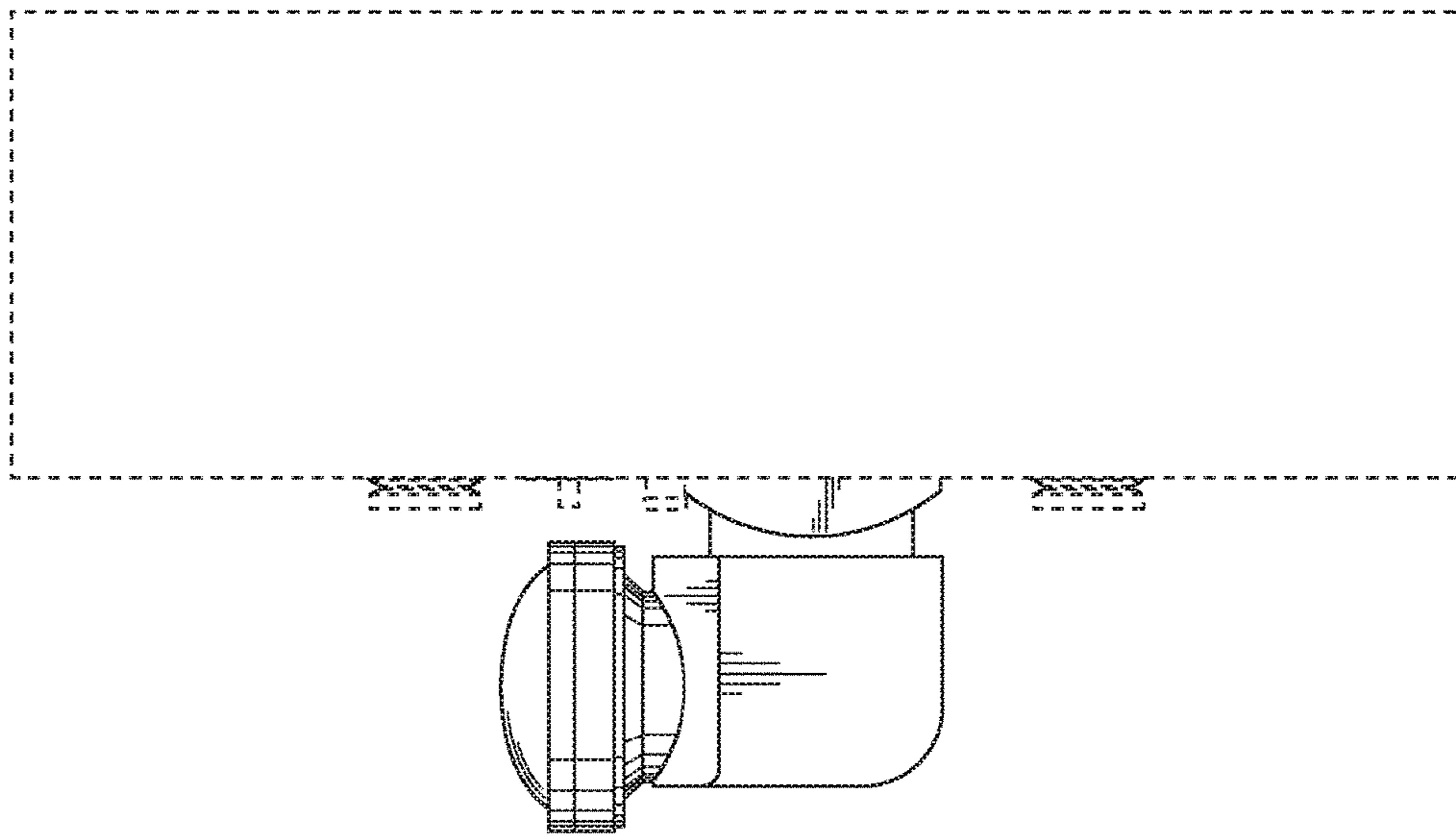


FIG. 48

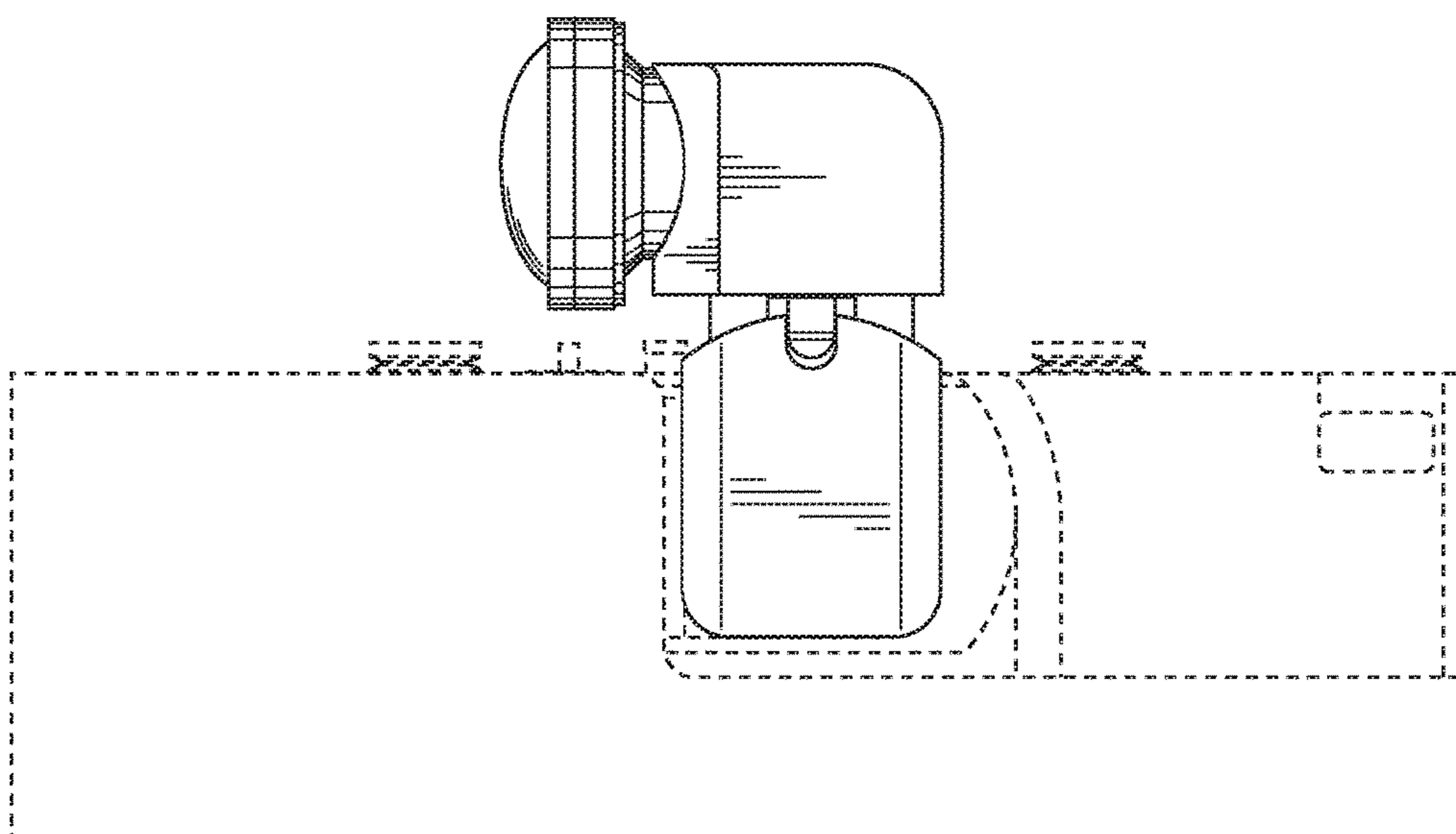


FIG. 49

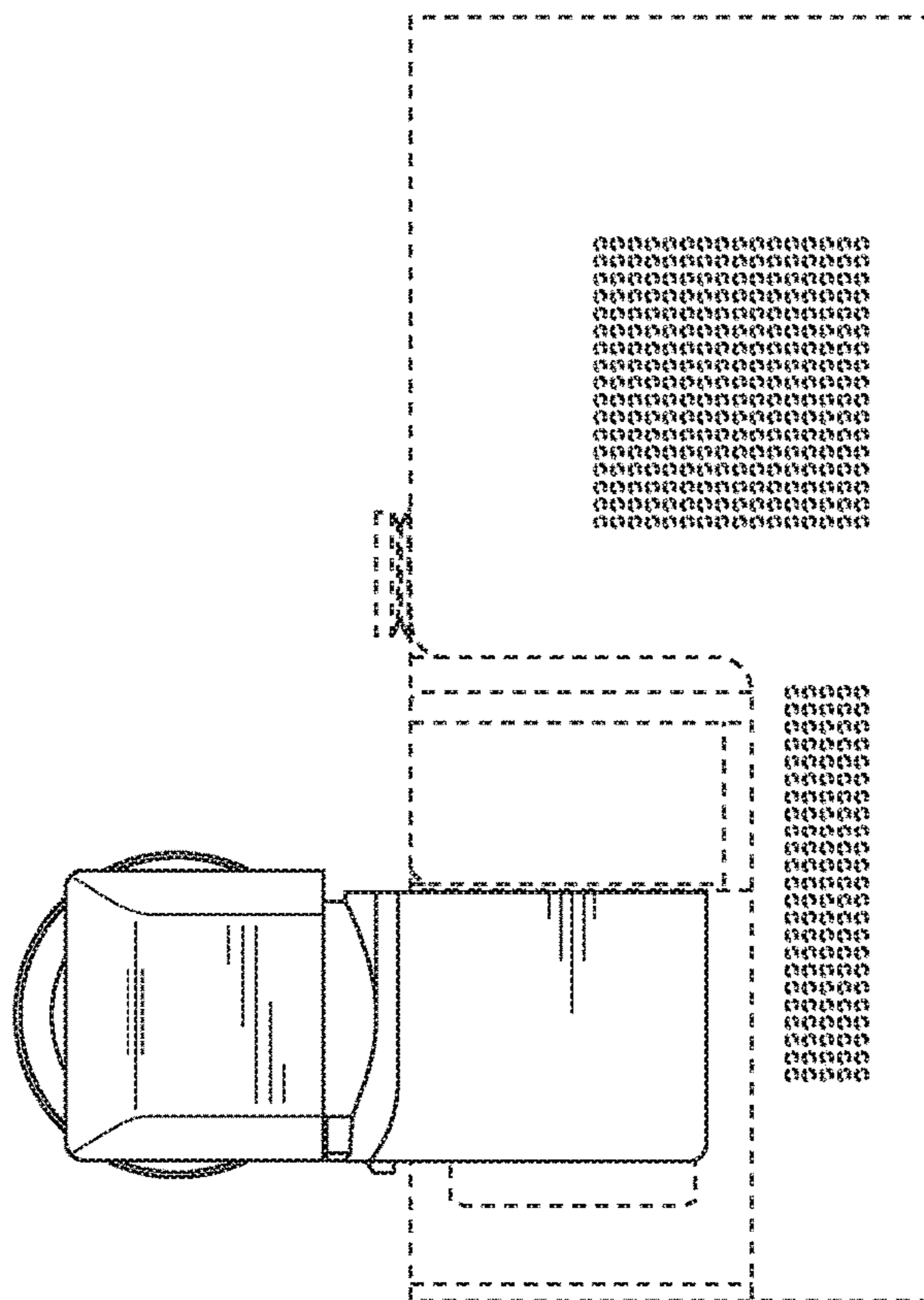


FIG. 50

