



US00D867430S

(12) **United States Design Patent**
Ikegame

(10) **Patent No.:** **US D867,430 S**

(45) **Date of Patent:** **** Nov. 19, 2019**

(54) **LENS FOR CAMERA**

(71) Applicant: **FUJIFILM Corporation**, Tokyo (JP)

(72) Inventor: **Haruka Ikegame**, Saitama (JP)

(73) Assignee: **FUJIFILM Corporation**, Minato-Ku,
Tokyo (JP)

(**) Term: **15 Years**

(21) Appl. No.: **29/667,400**

(22) Filed: **Oct. 22, 2018**

(30) **Foreign Application Priority Data**

Apr. 25, 2018 (JP) 2018-009126

(51) **LOC (12) Cl.** **16-05**

(52) **U.S. Cl.**
USPC **D16/219**

(58) **Field of Classification Search**
USPC D16/134, 136, 200, 202–205, 218, 219,
D16/235, 242; 348/373–376;
359/826–828; 396/529–532, 535,
396/539–541

CPC G03B 17/02; G03B 19/04; G03B 17/56;
G03B 17/04; G03B 15/03; G03B 17/14;
H04N 5/2251; H04N 5/2252; H04N
5/2253; H04N 5/2254; G02B 7/02; G02B
7/04; G02B 7/14

See application file for complete search history.

(56) **References Cited**

U.S. PATENT DOCUMENTS

D362,007 S * 9/1995 Takahashi D16/134
D412,922 S * 8/1999 Sekine D16/134
D562,864 S * 2/2008 Yasutomi D16/134
D718,361 S * 11/2014 Noh D16/219
D763,942 S * 8/2016 Yoon D16/219

D768,224 S * 10/2016 Kim D16/219
9,791,660 B2 * 10/2017 Takeshita G03B 3/10
D815,678 S * 4/2018 Sakai D16/219
D837,276 S * 1/2019 Ikegame D16/219
D837,277 S * 1/2019 Ikegame D16/219
2014/0168798 A1 * 6/2014 Ejima G03B 43/00
359/822
2015/0116535 A1 * 4/2015 Wu H04N 9/735
348/224.1
2017/0184810 A1 * 6/2017 Shinano G02B 7/10

OTHER PUBLICATIONS

Communication dated Feb. 20, 2019, from Japan Patent Office in counterpart application No. 2018-009126. Domestic Magazine “Asahi Camera” published by Asahi Shimbun Publications Inc., Recorded on p. 211, vol. 102, Issue 11, Published on Nov. 20, 2017, Product Name: 100-400mm F/4.5-6.3 Di VC USD Design of a Camera Lens (Japan Patent Office, Design Division Official Gazette No. HA29008479).

(Continued)

Primary Examiner — Ramzi S Almatrahi

(74) *Attorney, Agent, or Firm* — Sughrue Mion, PLLC

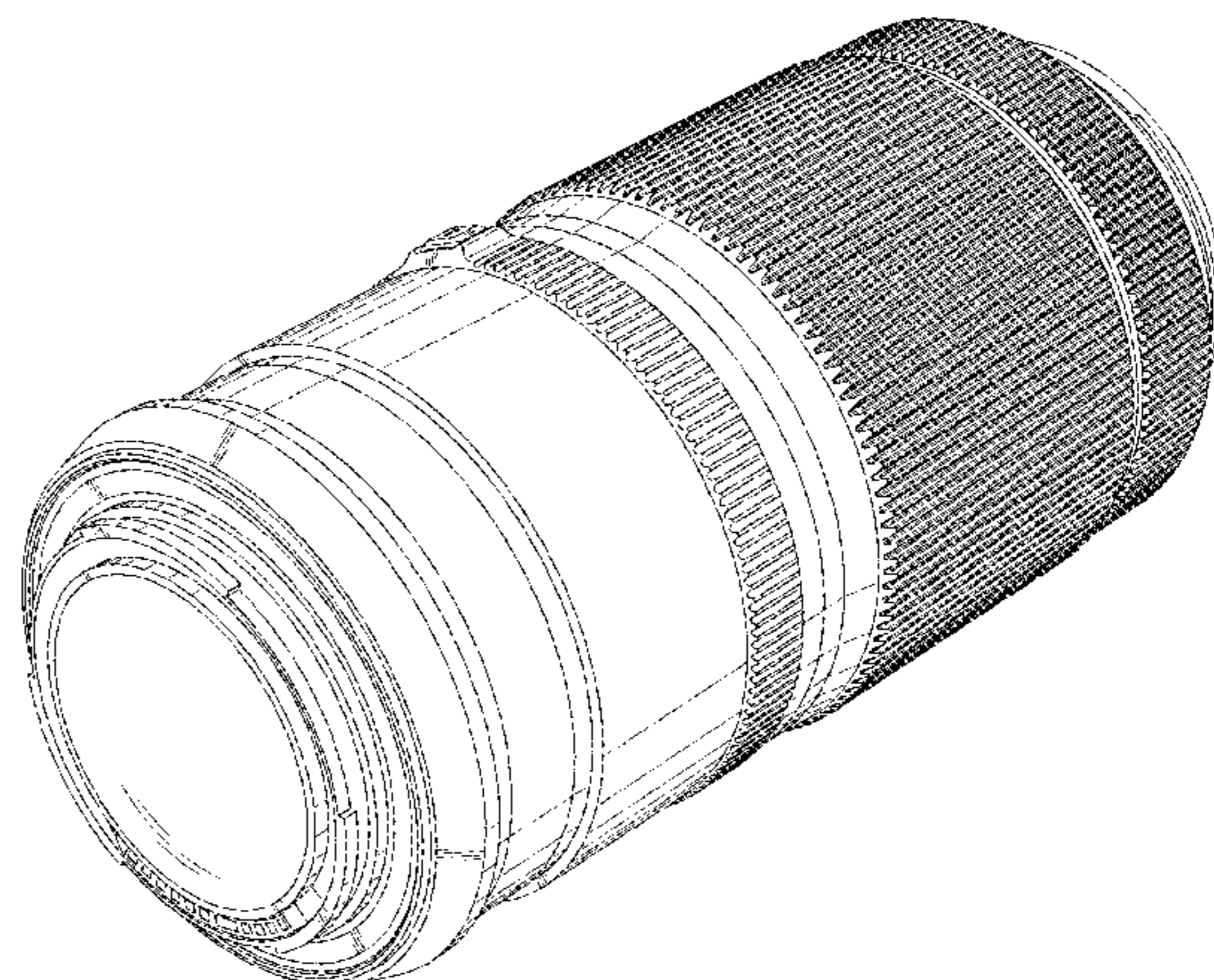
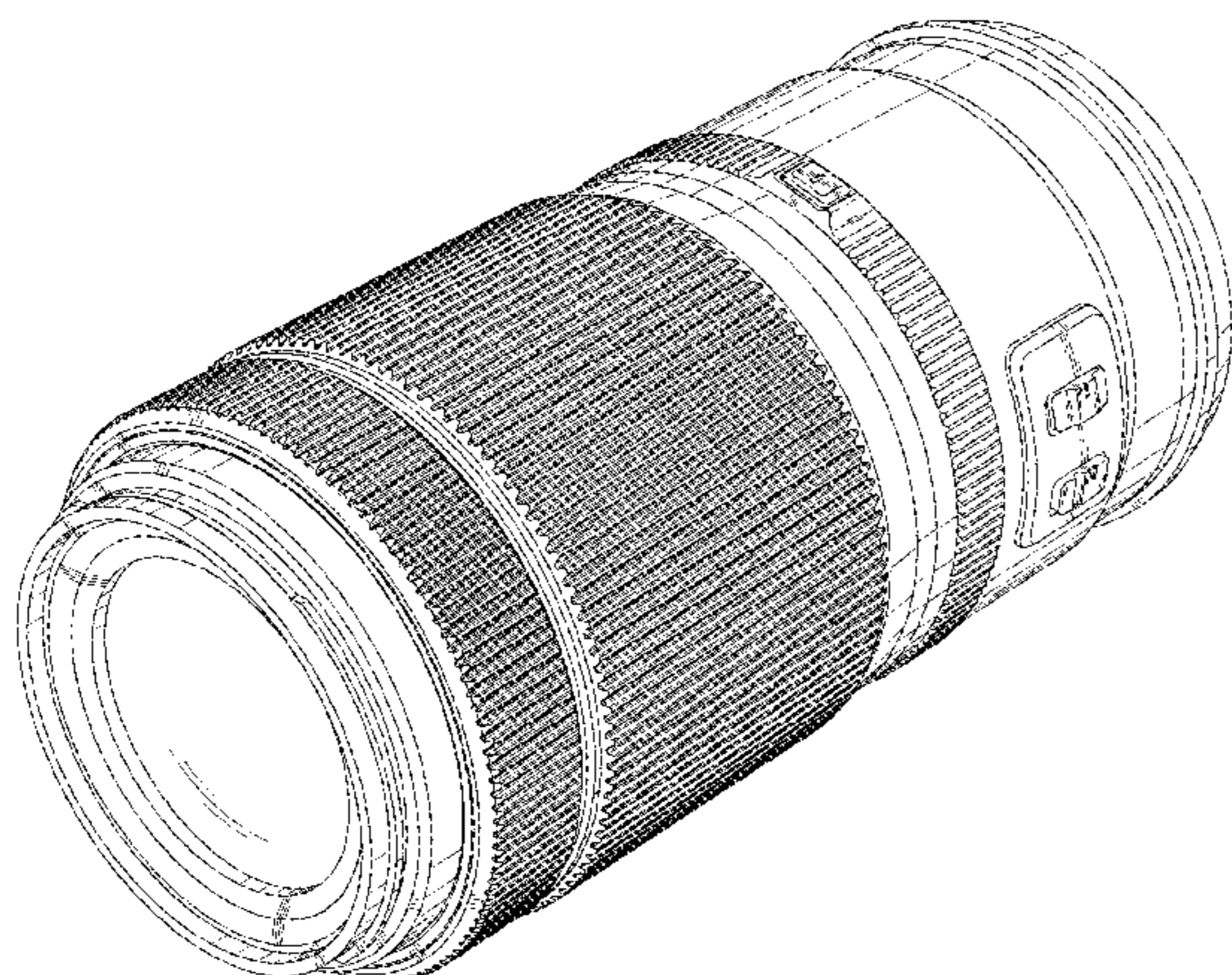
(57) **CLAIM**

The ornamental design for a lens for camera, as shown and described.

DESCRIPTION

FIG. 1 is a front and left side perspective view of a lens for camera showing my new design;
FIG. 2 is a rear and right side perspective view thereof;
FIG. 3 is a front view thereof;
FIG. 4 is a rear view thereof;
FIG. 5 is a top plan view thereof;
FIG. 6 is a bottom plan view thereof;
FIG. 7 is a right side view thereof; and,
FIG. 8 is a left side view thereof.

1 Claim, 5 Drawing Sheets



(56)

References Cited

OTHER PUBLICATIONS

Domestic Magazine “Nikkor Lenses General Catalog Nikkor Lenses Iam Nikkor” published by Nikon Corporation / Nikon Imaging Japan Inc., Recorded on p. 9, Product Name: AF-S Nikkor 70-200mm f/2.8E FL ED VR Design of a Camera Lens (Japan Patent Office, Design Division Official Gazette No. HC29000435) Retrieved Dec. 6, 2016.

Domestic Magazine “Nikkor Lenses General Catalog Nikkor Lenses Iam Nikkor” published by Nikon Corporation / Nikon Imaging Japan Inc., Recorded on p. 10, Product Name: AF-P DX Nikkor 70-300mm f/4.5-6.3G ED VR Design of a Camera Lens (Japan Patent Office, Design Division Official Gazette No. HC29000436), Retrieved Dec. 6, 2016.

“A long-awaited high-performance telephoto zoom lens for “X Mount” is newly released!”, “Fujinon Lens XF55-200mmF3.5-4.8 R LM OIS” Now on Sale: URL of the published website: http://www.fujifilm.co.jp/corporate/news/articleffnr_0768.html Product Name: Fujinon Lens XF55-200mm F3.5-4.8 R LM OIS Design of Camera

Lens (Japan Patent Office, Design Division Official Gazette No. HJ25010880), Retrieved May 31, 2013.

URL of the published website: http://www.fujifilm.co.jp/press/img/ffnr0880_01.jpg Product Name: Fujinon Lens XF18-135mm F3.5-5.6 R LM OIS W Design of Camera Lens (Japan Patent Office, Published on an Internet Website (Checked on Jul. 11, 2014), Design Division Official Gazette No. HJ26019686), Retrieved Jul. 11, 2014.

“Other Image Views”, URL of the published website: <http://www.bestbuy.com/site/olspage.jsp?id=cat13506&type=page&skuld=3546034&productId=1218411613811&defurl=false&h=387> Published on an Internet Website (Checked on Oct. 18, 2013), Design of Camera Lens (Japan Patent Office, Design Division Official Gazette No. HJ25040310).

Tamron | News | High-magnification zoom with 18-200mm specialized for single lens camera without mirror (equivalent to APS-C size) used for Canon is newly released 18-200m . . . URL of the published website: http://www.tamron.co.jp/news/release_2014/0619_b011.html Published on an Internet Website (Checked on Jul. 18, 2014), Product Name: 18-200mm F/3.5-6.3 Di III VC (Model B011) for Canon Design of Camera Lens (Japan Patent Office, Design Division Official Gazette No. HJ26021110).

* cited by examiner

FIG. 1

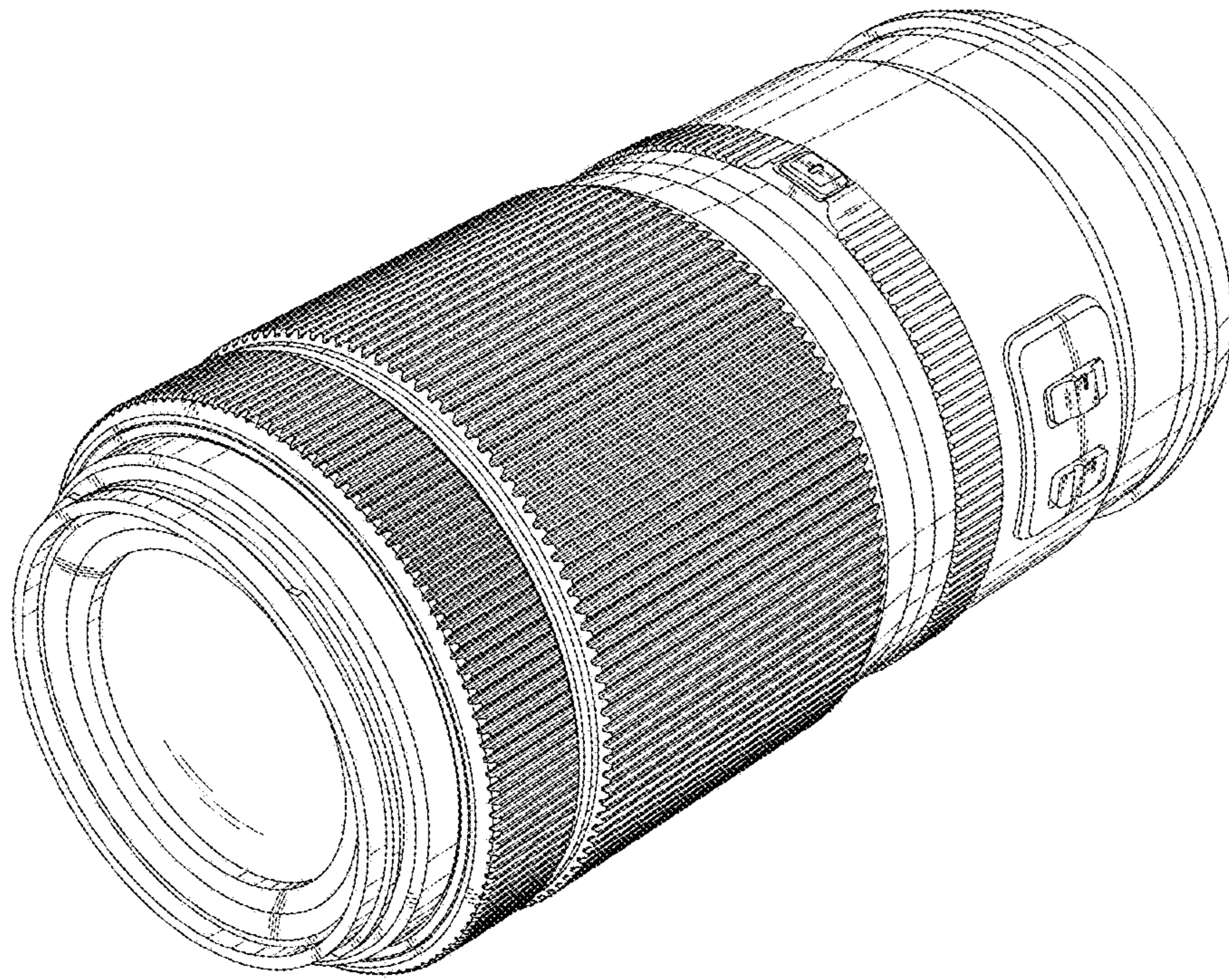


FIG. 2

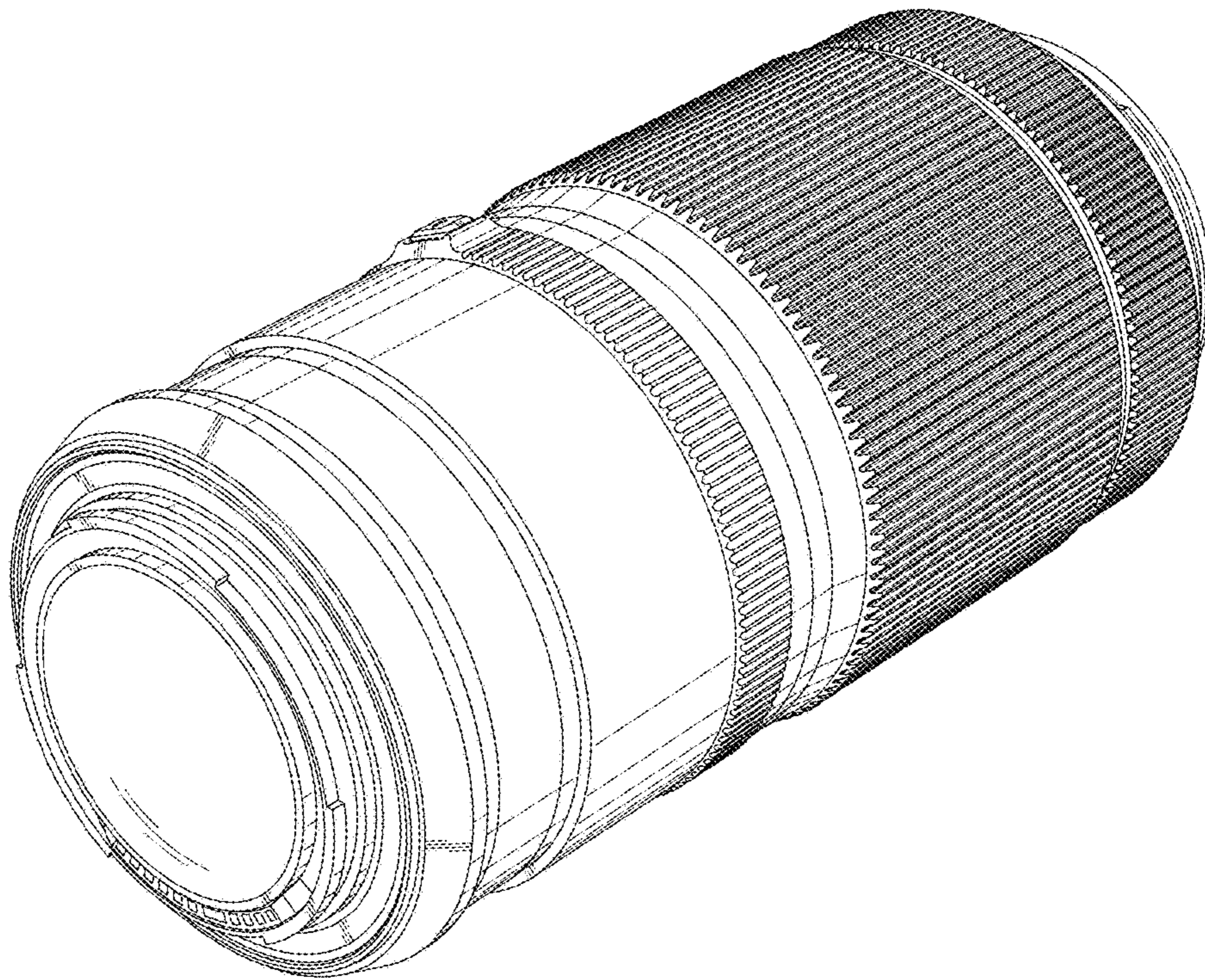


FIG. 3

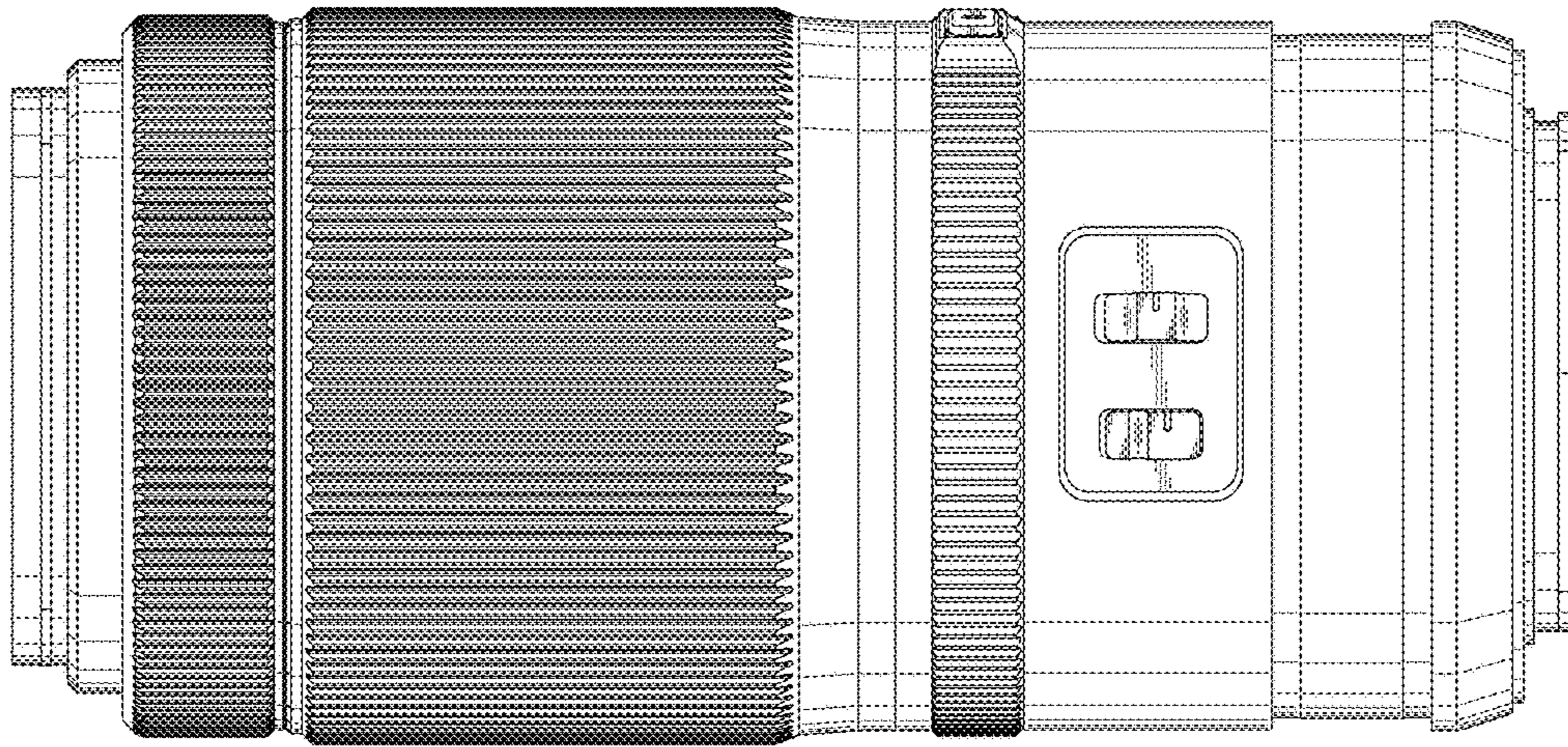


FIG. 4

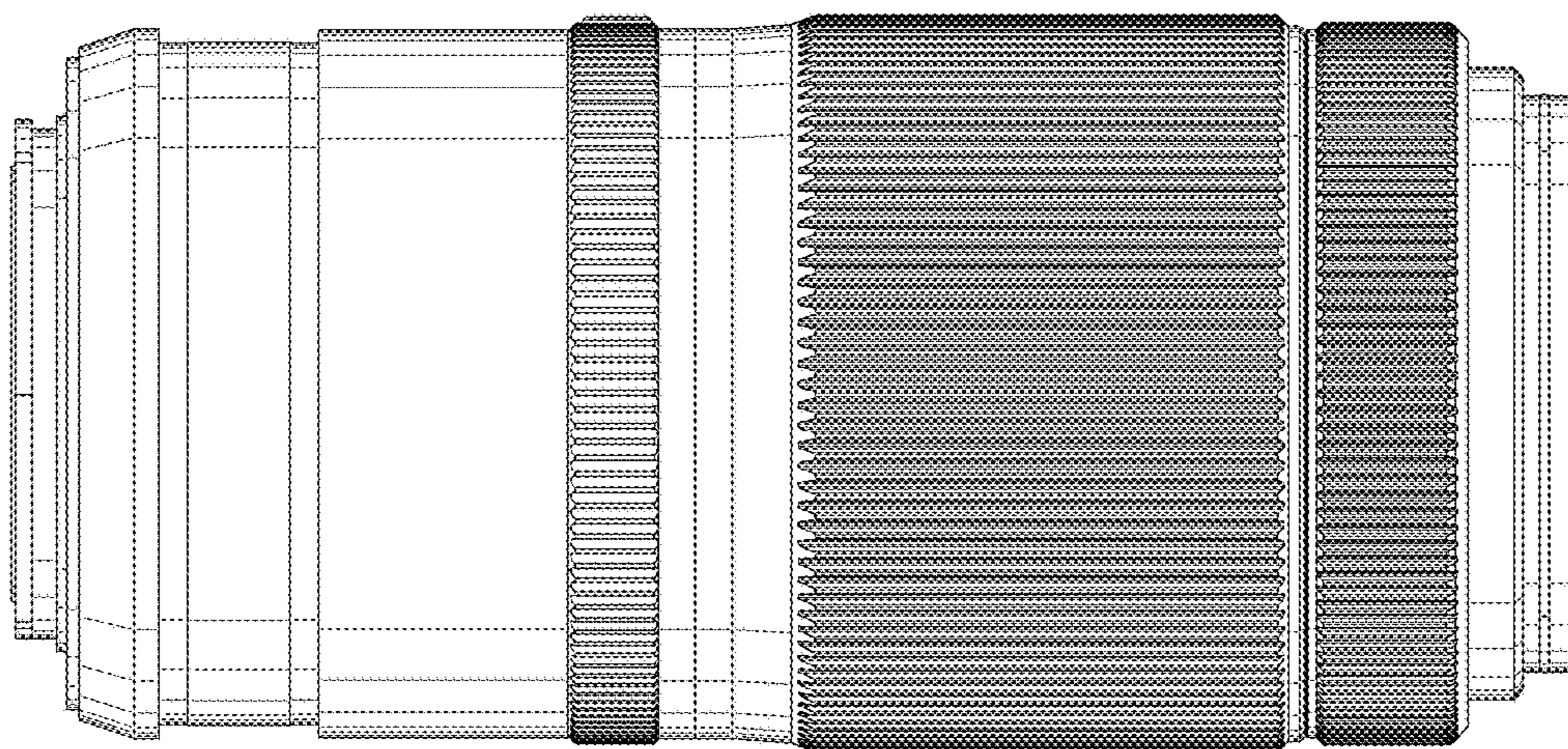


FIG. 5

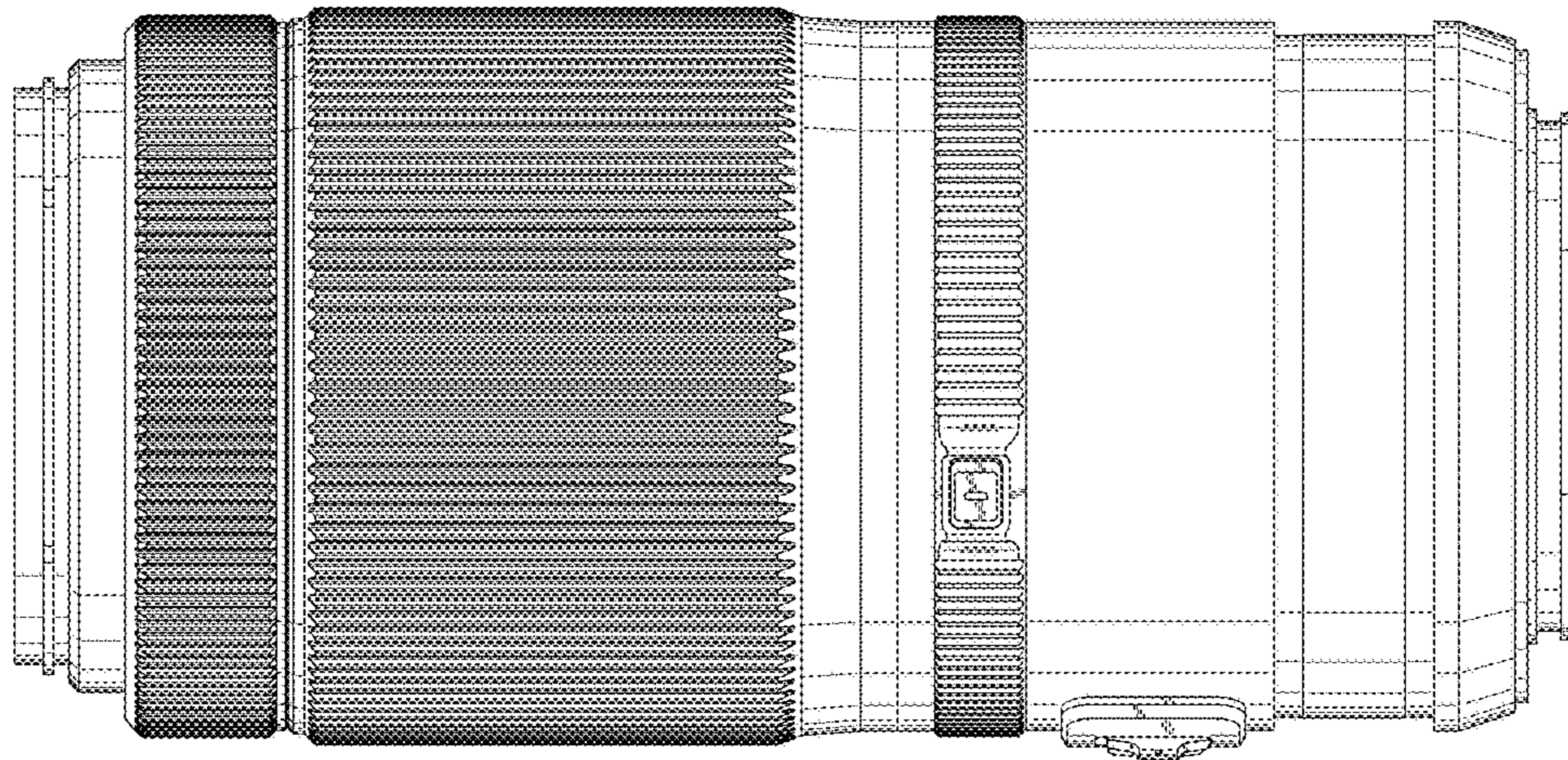


FIG. 6

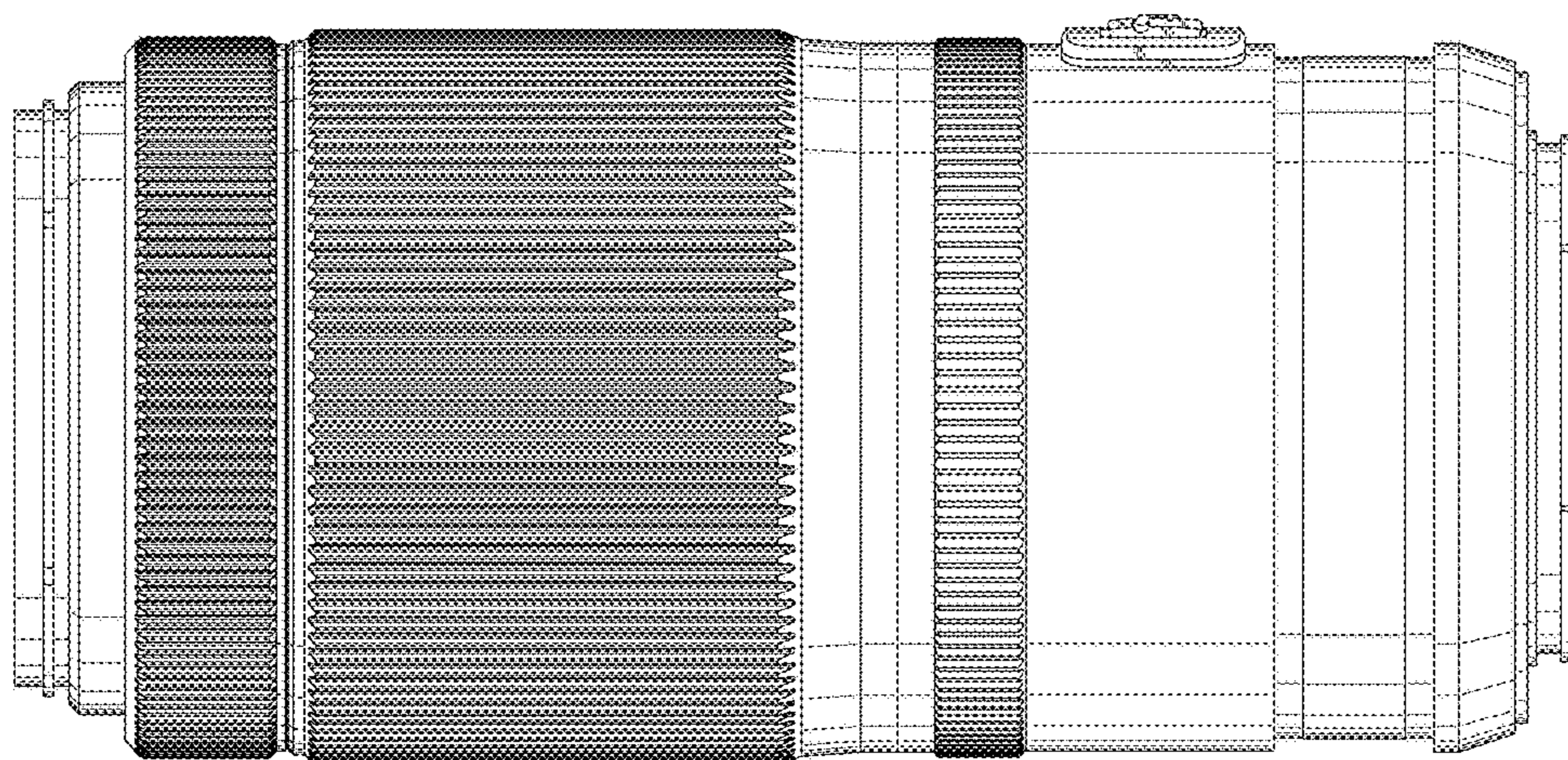


FIG. 7

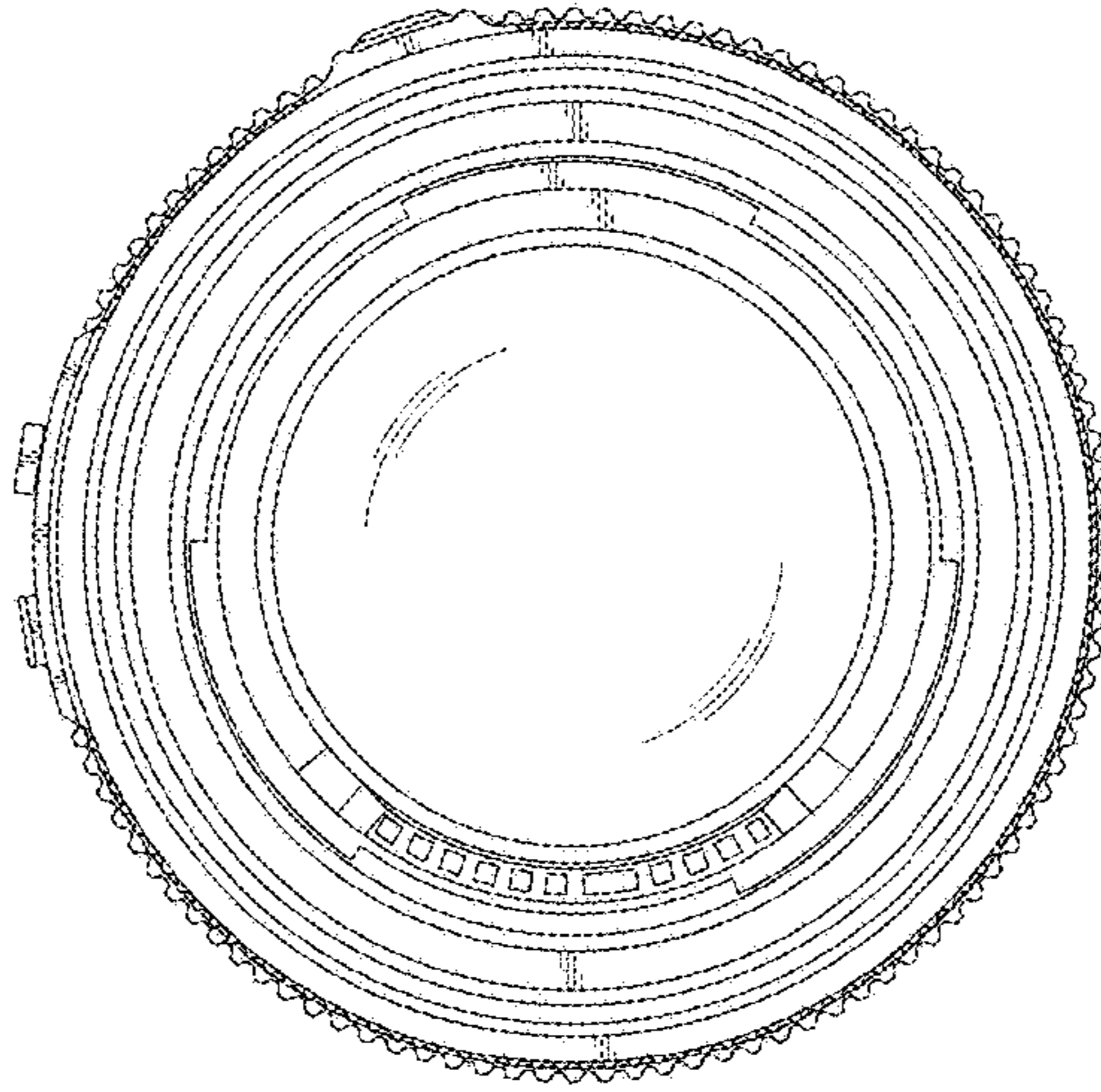


FIG. 8

