



US00D867429S

(12) **United States Design Patent**
Miyao

(10) **Patent No.:** **US D867,429 S**

(45) **Date of Patent:** **** Nov. 19, 2019**

(54) **VIDEO CAMERA**

(71) Applicant: **SONY CORPORATION**, Tokyo (JP)

(72) Inventor: **Toshikazu Miyao**, Kanagawa (JP)

(73) Assignee: **SONY CORPORATION**, Tokyo (JP)

(**) Term: **15 Years**

(21) Appl. No.: **29/603,296**

(22) Filed: **May 8, 2017**

(30) **Foreign Application Priority Data**

Nov. 8, 2016 (JP) D2016-024332

Nov. 8, 2016 (JP) D2016-024333

(51) **LOC (12) Cl.** **16-05**

(52) **U.S. Cl.**
USPC **D16/219**

(58) **Field of Classification Search**

USPC D16/134, 136, 200, 202–205, 218, 219;
348/373–376; 359/826–828; 396/25,
396/505, 529–532, 535, 539–541

CPC G03B 17/02; G03B 19/04; G03B 17/56;
G03B 17/04; G03B 15/03; G03B 17/14;
H04N 5/2251; H04N 5/2252; H04N
5/2253; H04N 5/2254; G02B 7/02; G02B
7/04; G02B 7/14

See application file for complete search history.

(56) **References Cited**

U.S. PATENT DOCUMENTS

D476,022 S 6/2003 Sumita
D487,763 S 3/2004 Miyashita
D516,602 S 3/2006 Ishii
D534,565 S 1/2007 Sadatsuki
7,182,529 B2* 2/2007 Kurosawa G03B 19/12
348/374

D566,150 S 4/2008 Sadatsuki
D576,188 S 9/2008 Murakami

(Continued)

Primary Examiner — Ramzi S Almatrahi

(74) *Attorney, Agent, or Firm* — Michael Best and Friedrich LLP

(57) **CLAIM**

The ornamental design for a video camera, as shown and described.

DESCRIPTION

FIG. 1 is a front elevational view of a video camera showing my new design;

FIG. 2 is a right side elevational view thereof;

FIG. 3 is a left side elevational view thereof;

FIG. 4 is a top plan view thereof;

FIG. 5 is a bottom plan view thereof;

FIG. 6 is a cross sectional view thereof taken along line 6-6 of FIG. 1;

FIG. 7 is a partially enlarged front elevational view thereof;

FIG. 8 is a partially enlarged front elevational view thereof, wherein the lever is in an alternate position;

FIG. 9 is a partially enlarged front, top, and right side perspective view thereof, shown with the lever in the original position of FIG. 1;

FIG. 10 is a partially enlarged front and right side perspective view thereof;

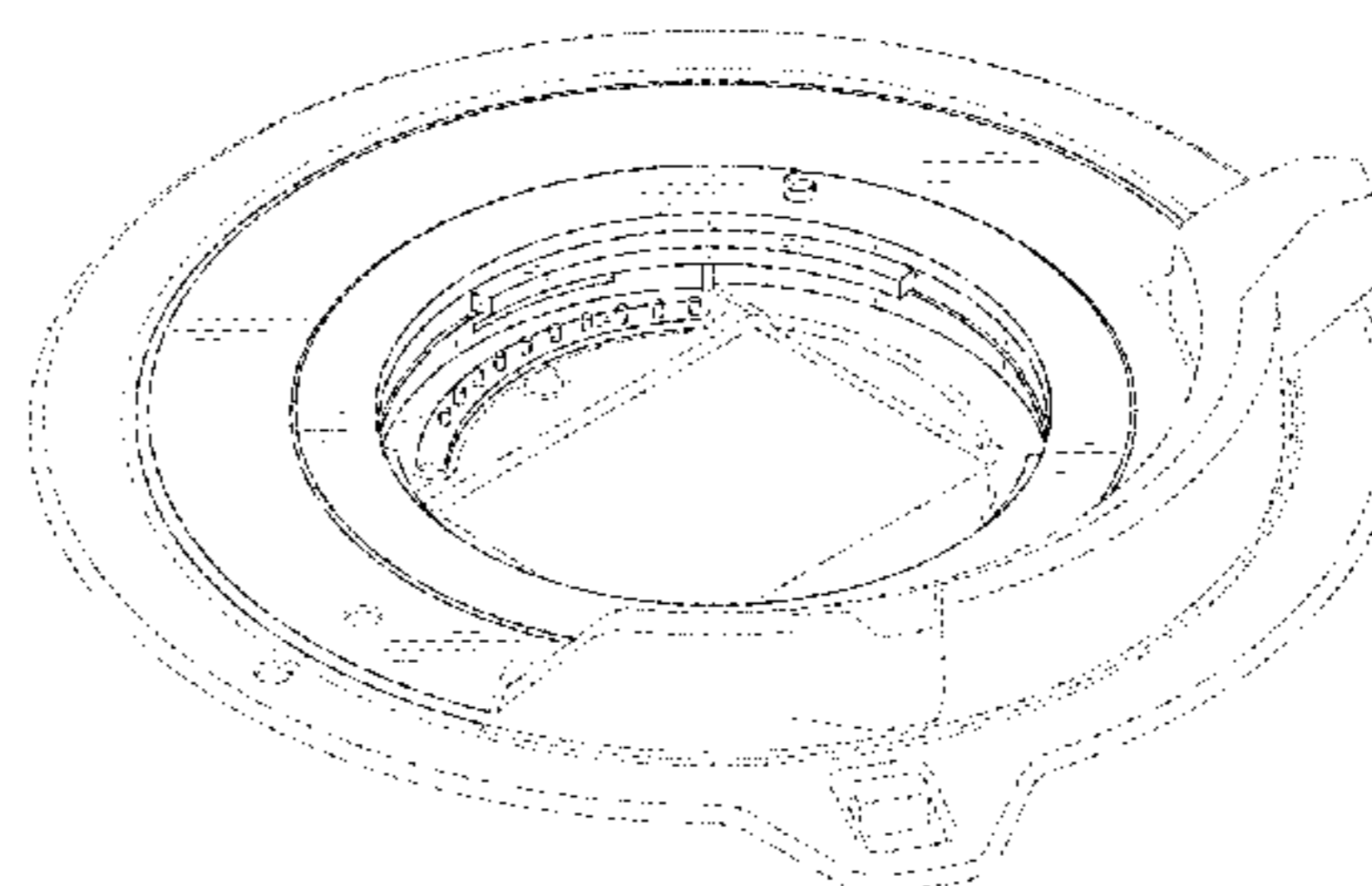
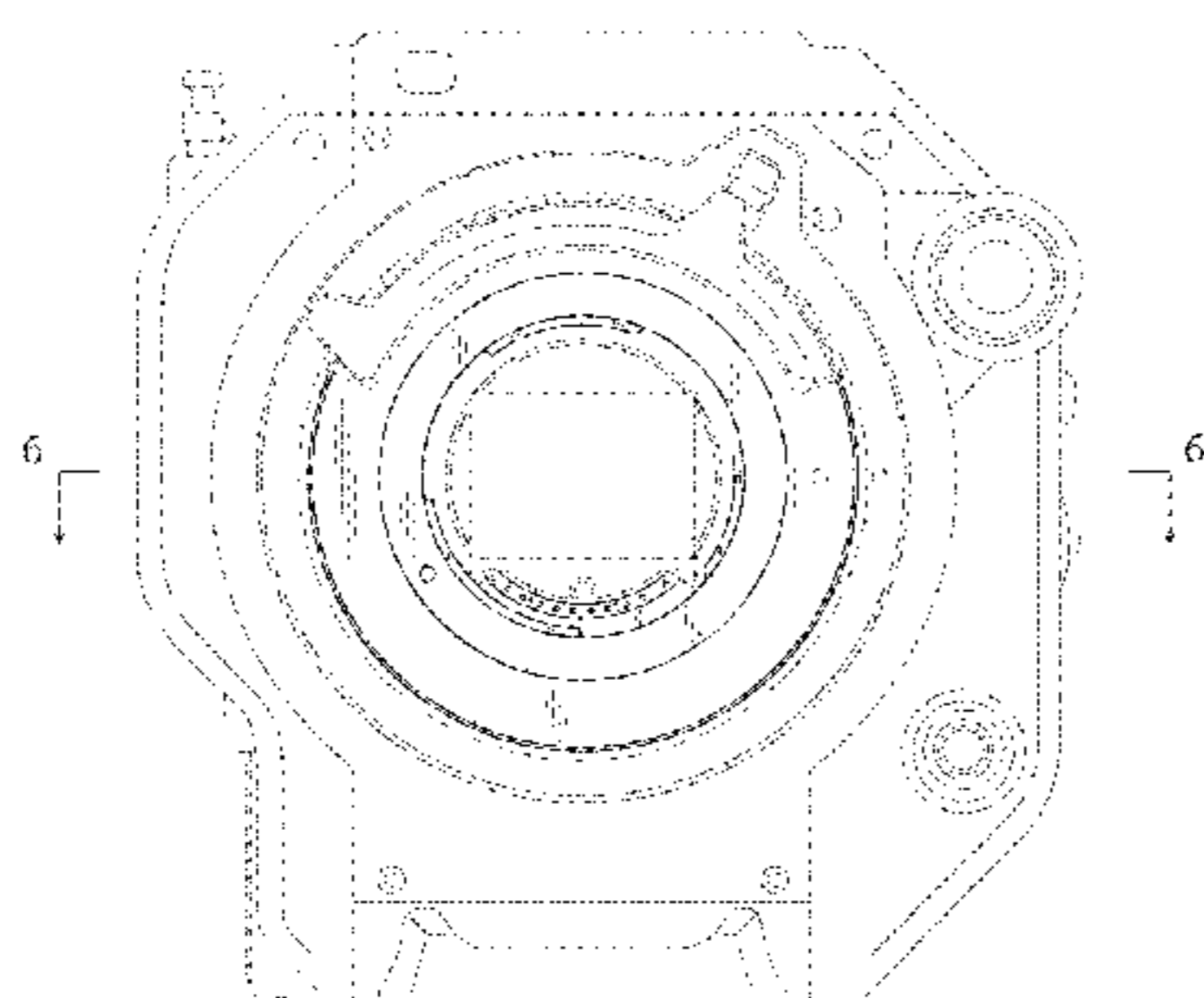
FIG. 11 is a partially enlarged front, top, and left side perspective view thereof;

FIG. 12 is a partially enlarged front, bottom, and left side perspective view thereof; and,

FIG. 13 is a partially enlarged front, top, and left side perspective view thereof, shown with the lever in the alternate position of FIG. 8.

The broken lines depict portions of the video camera in which the design is embodied that form no part of the claimed design. Additionally, the dash-dot lines denote the boundary of the claim and form no part of the claimed design.

1 Claim, 13 Drawing Sheets



(56)

References Cited

U.S. PATENT DOCUMENTS

D576,189	S	9/2008	Shimizu et al.	
D648,363	S	* 11/2011	Takagi	D16/134
D669,930	S	10/2012	Koyama et al.	
D682,910	S	* 5/2013	Hasuda	D16/219
D692,475	S	* 10/2013	Hasuda	D16/134
D694,800	S	* 12/2013	Miyashita	D16/202
D723,084	S	* 2/2015	Awazu	D16/219
D726,801	S	* 4/2015	Kim	D16/219
D727,394	S	* 4/2015	Kim	D16/219
D732,102	S	* 6/2015	Hasuda	D16/219
D750,150	S	* 2/2016	Cho	D16/219
D752,673	S	* 3/2016	Petty	D16/202
D820,341	S	* 6/2018	Tokiwa	D16/219
D836,152	S	* 12/2018	Ikegame	D16/219

* cited by examiner

FIG.1

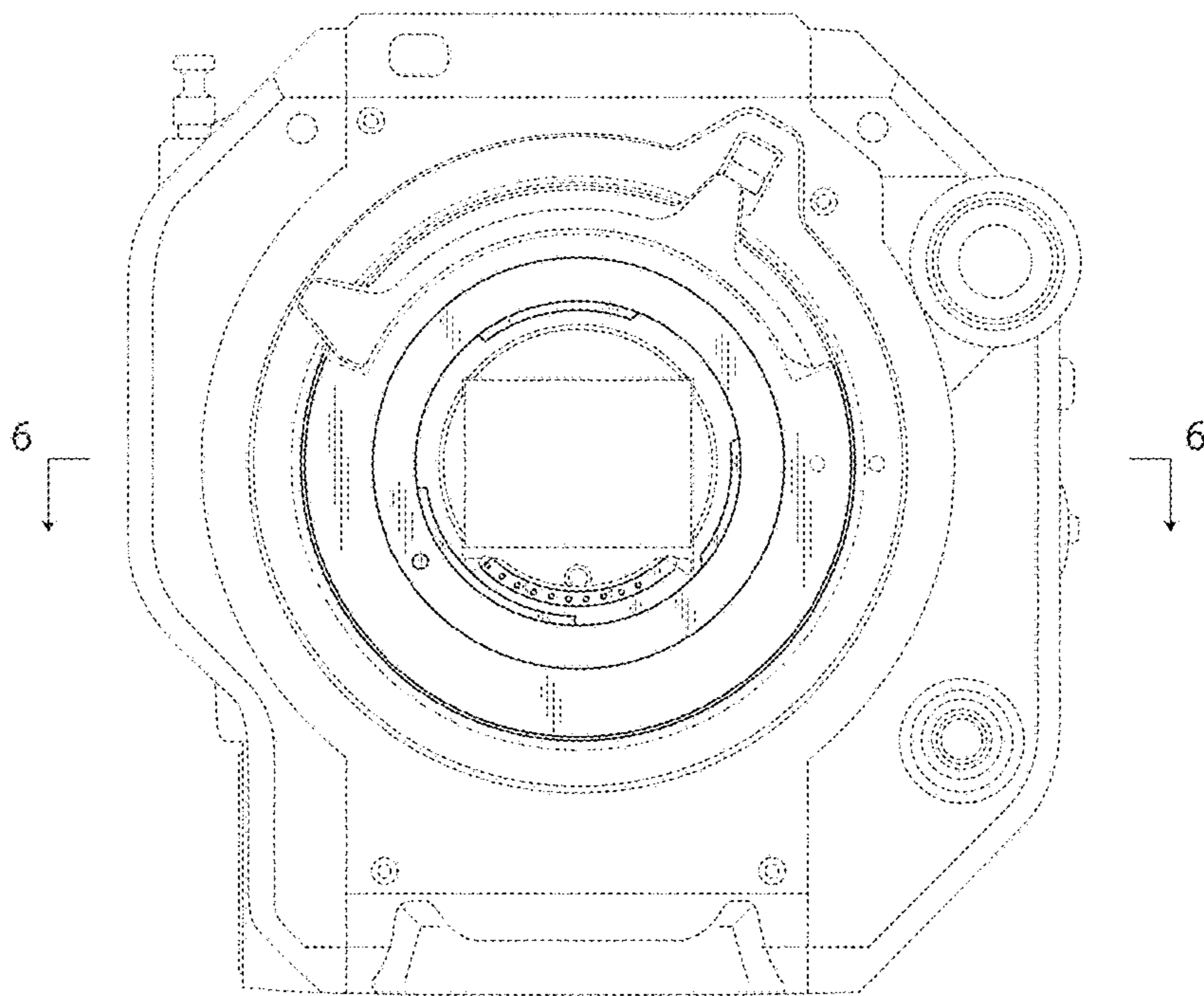


FIG.2

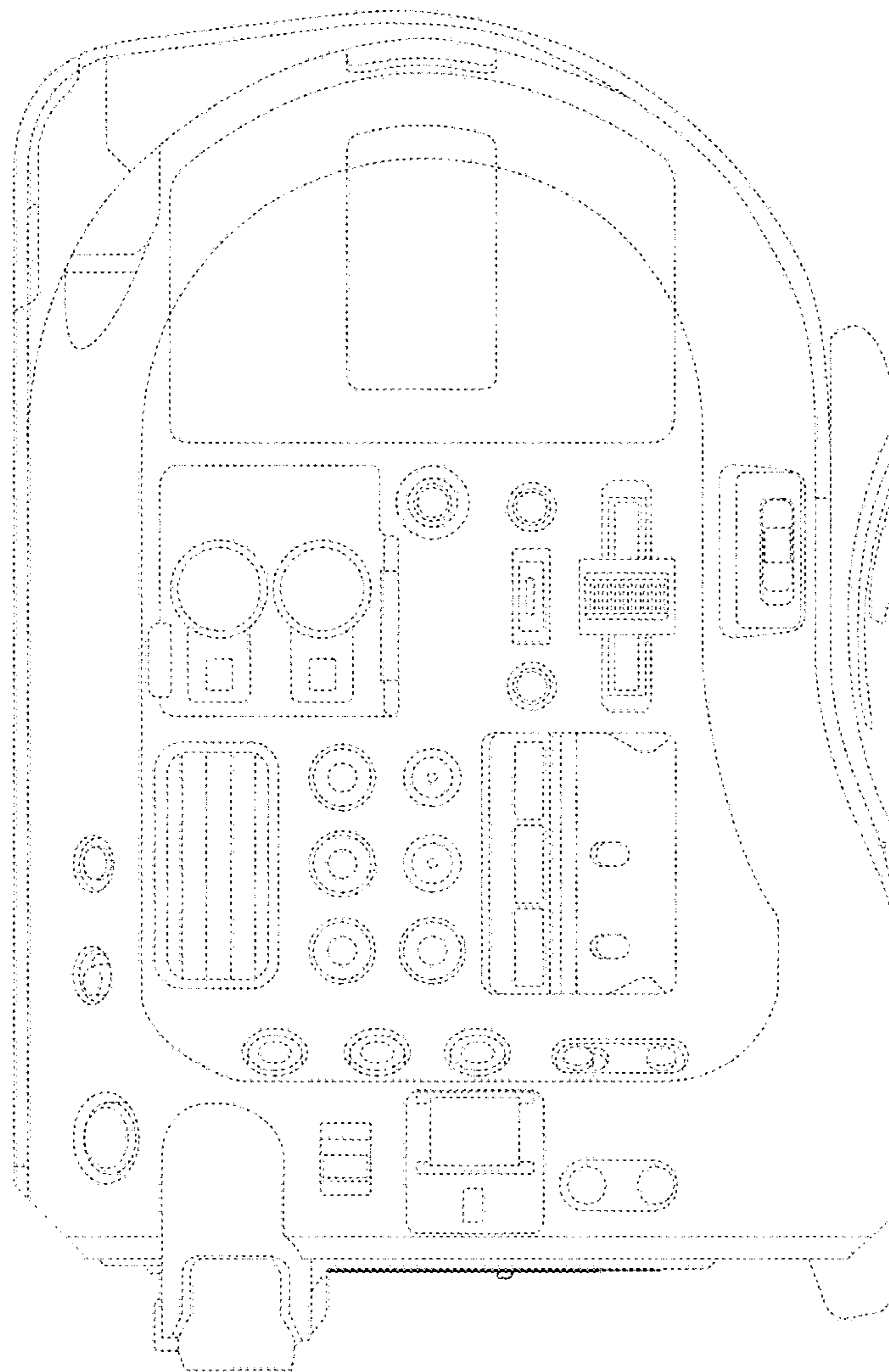


FIG.3

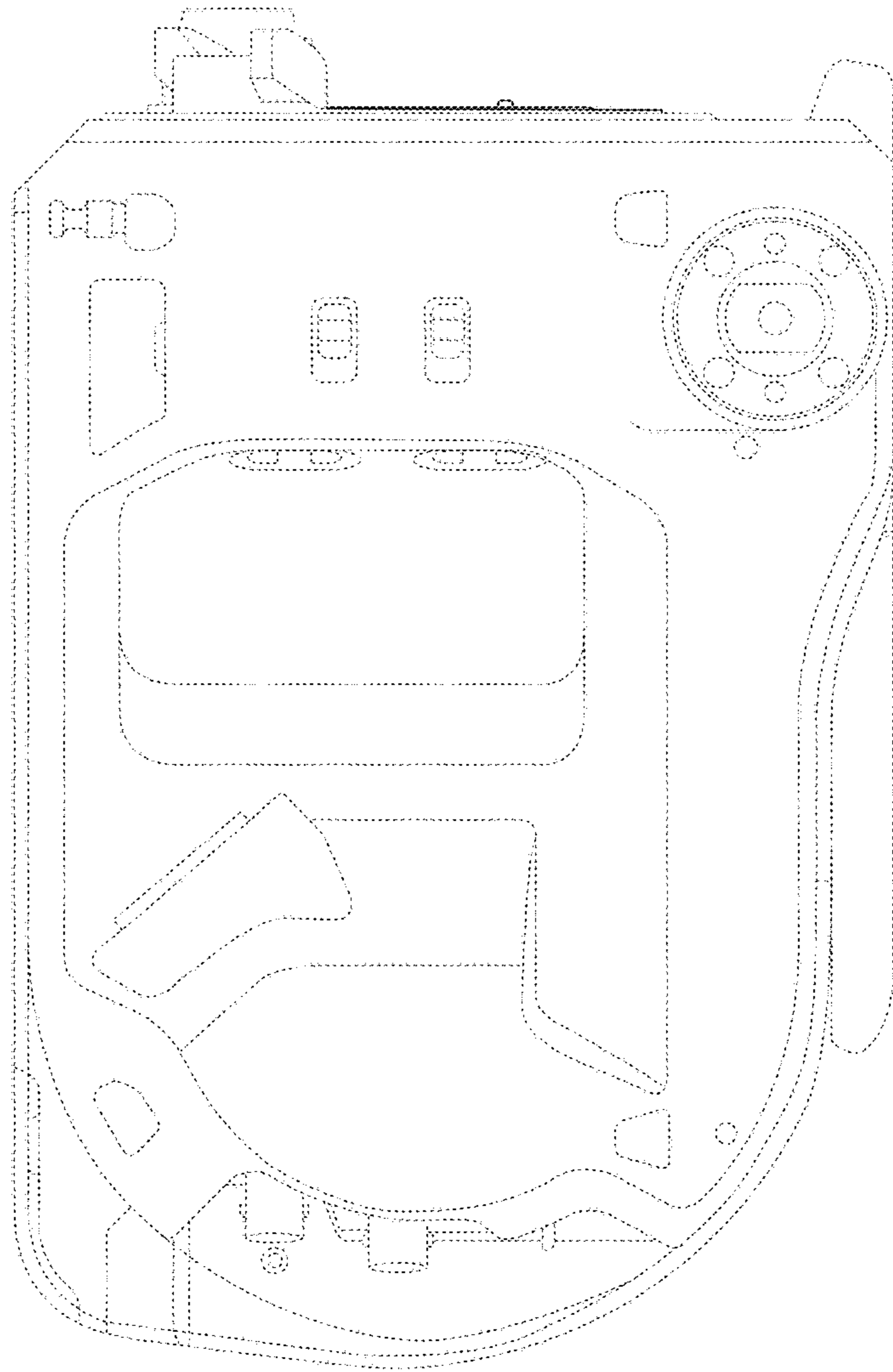


FIG.4

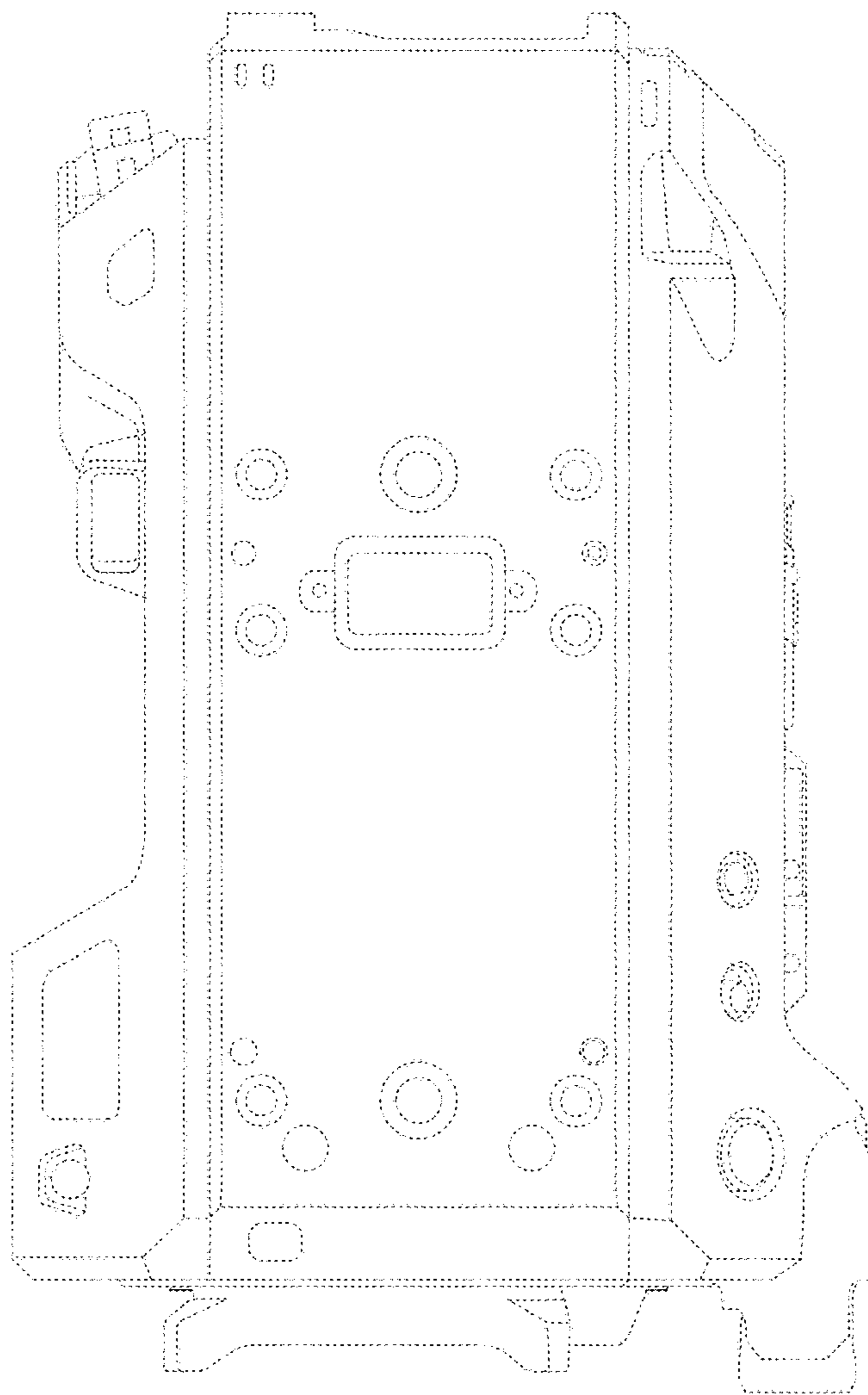


FIG.5

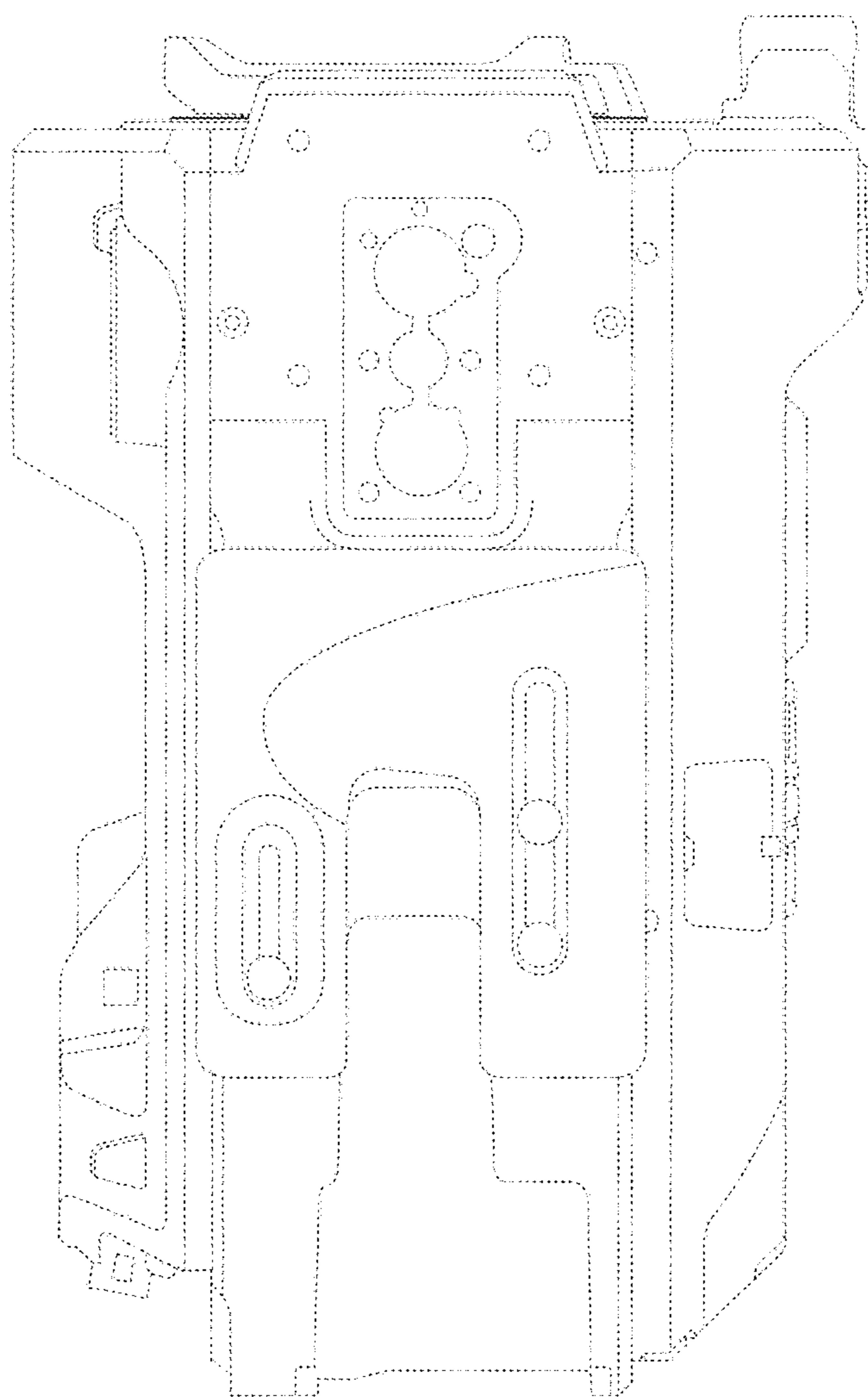


FIG. 6

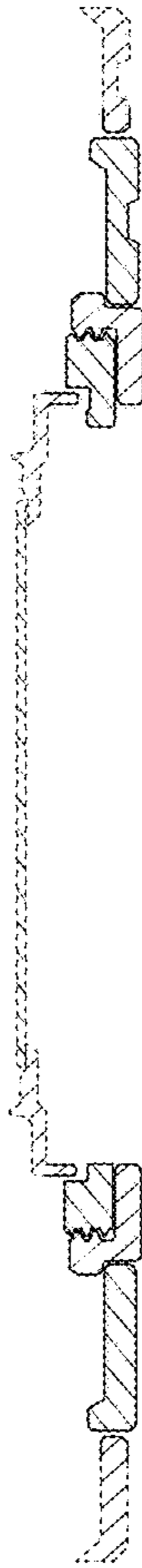


FIG.7

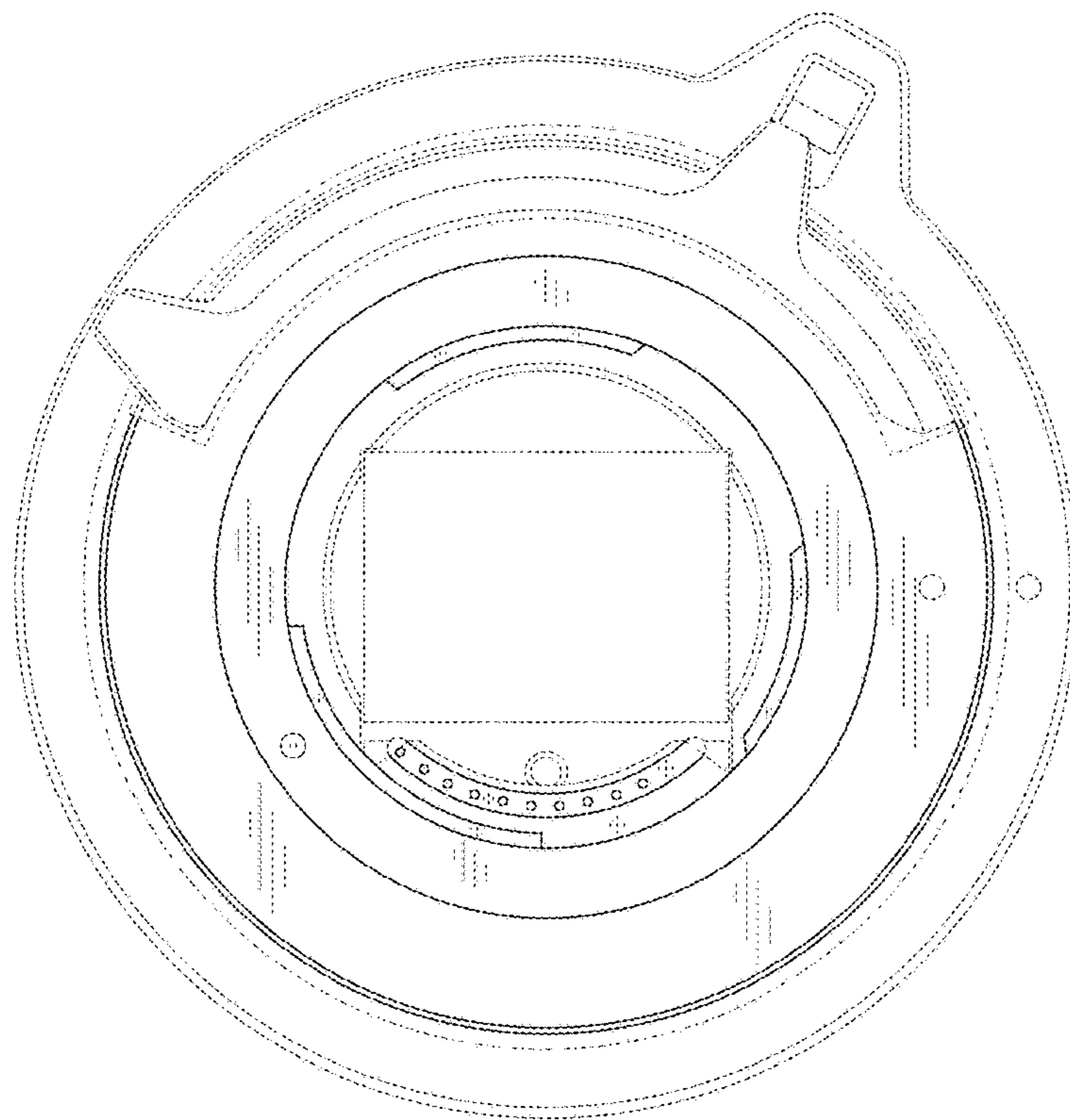


FIG.8

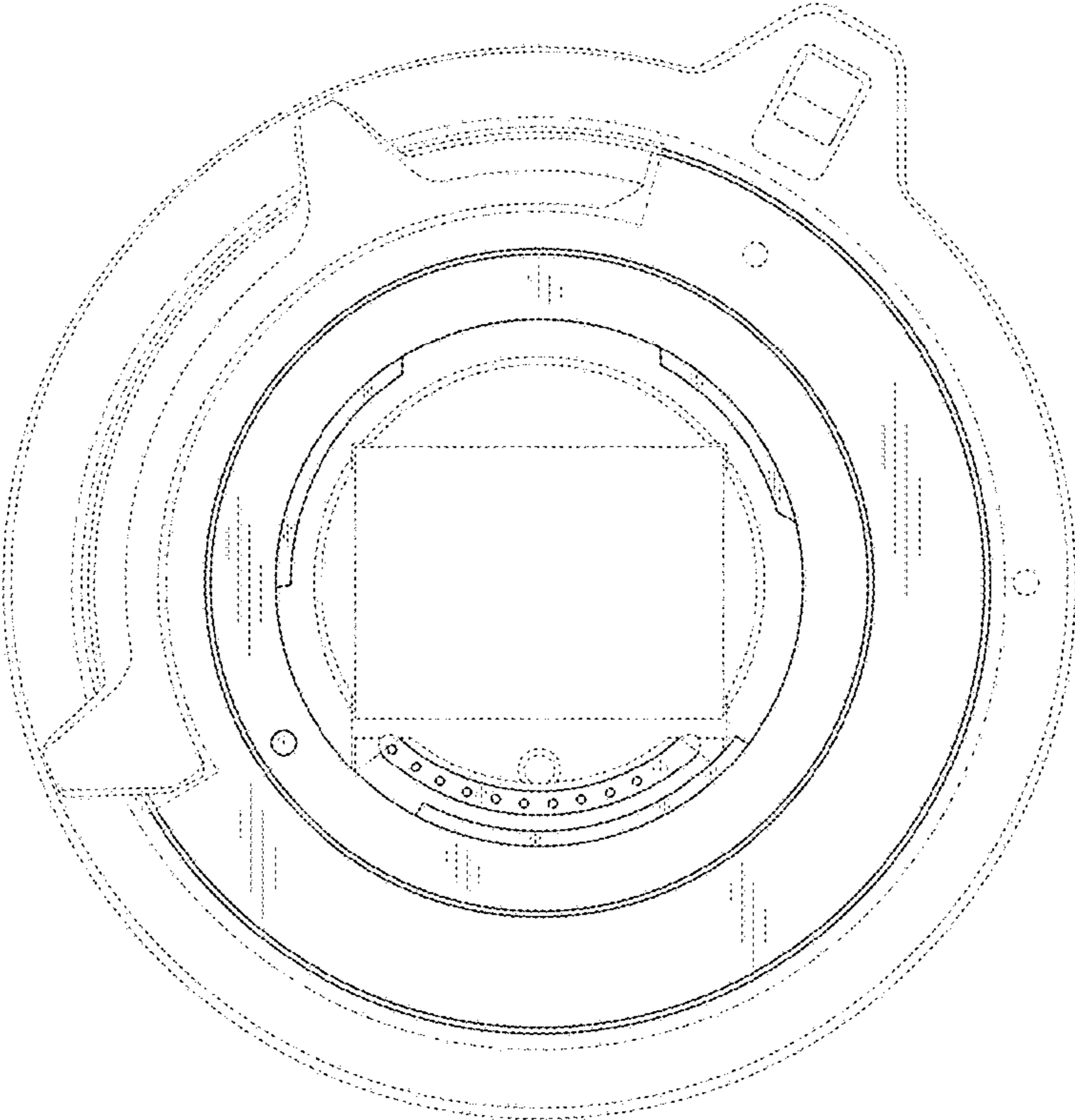


FIG.9

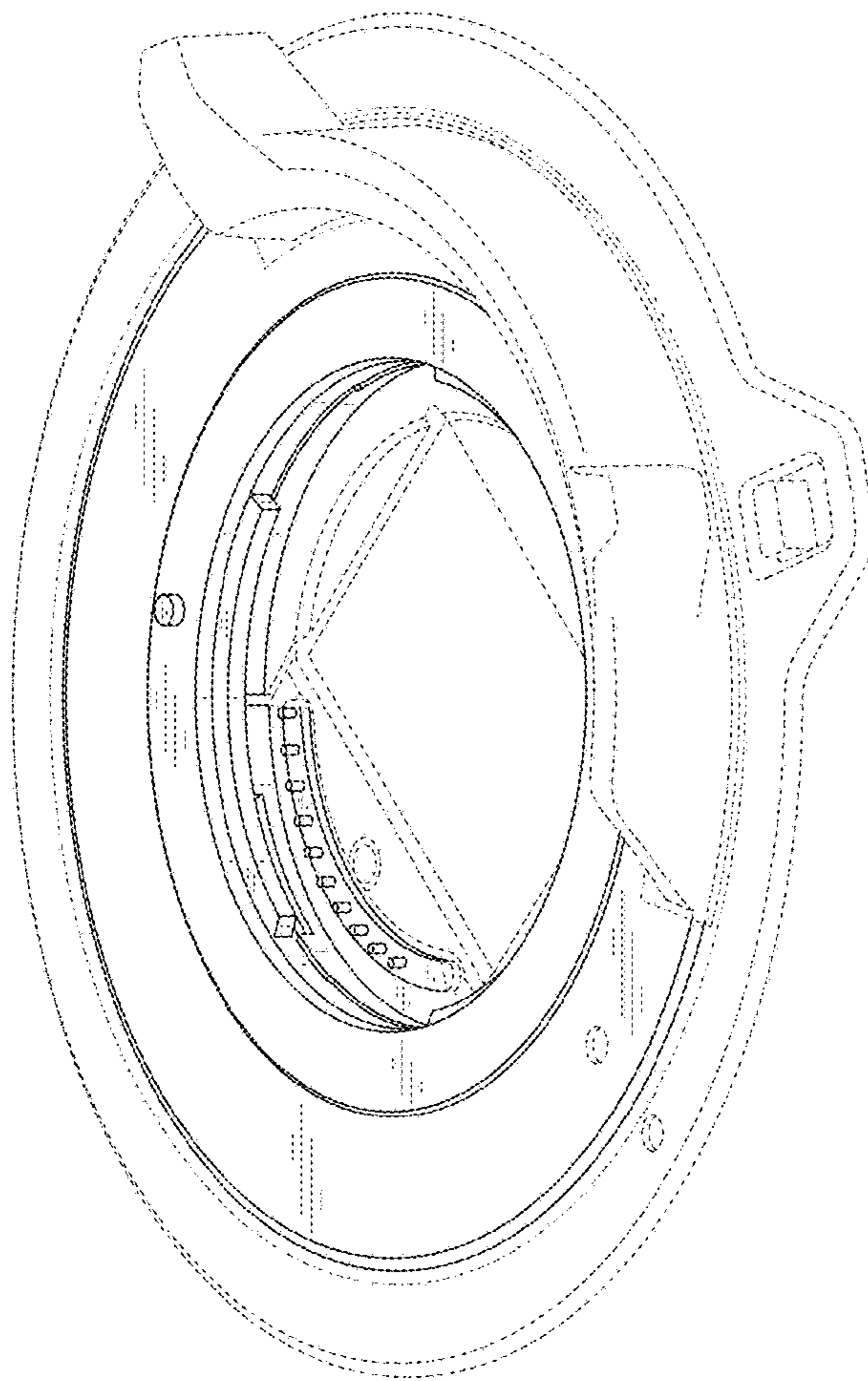


FIG.10

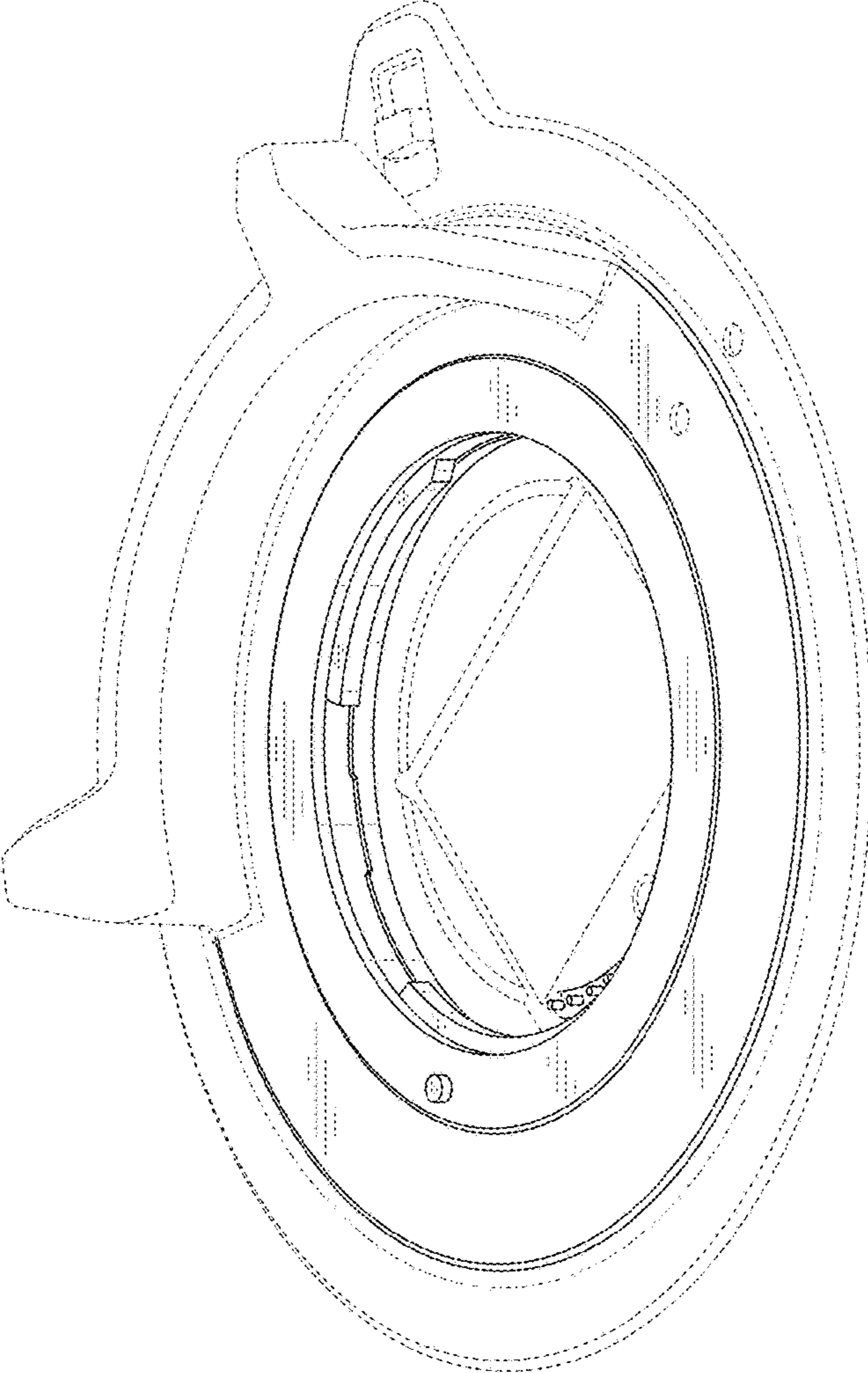


FIG.11

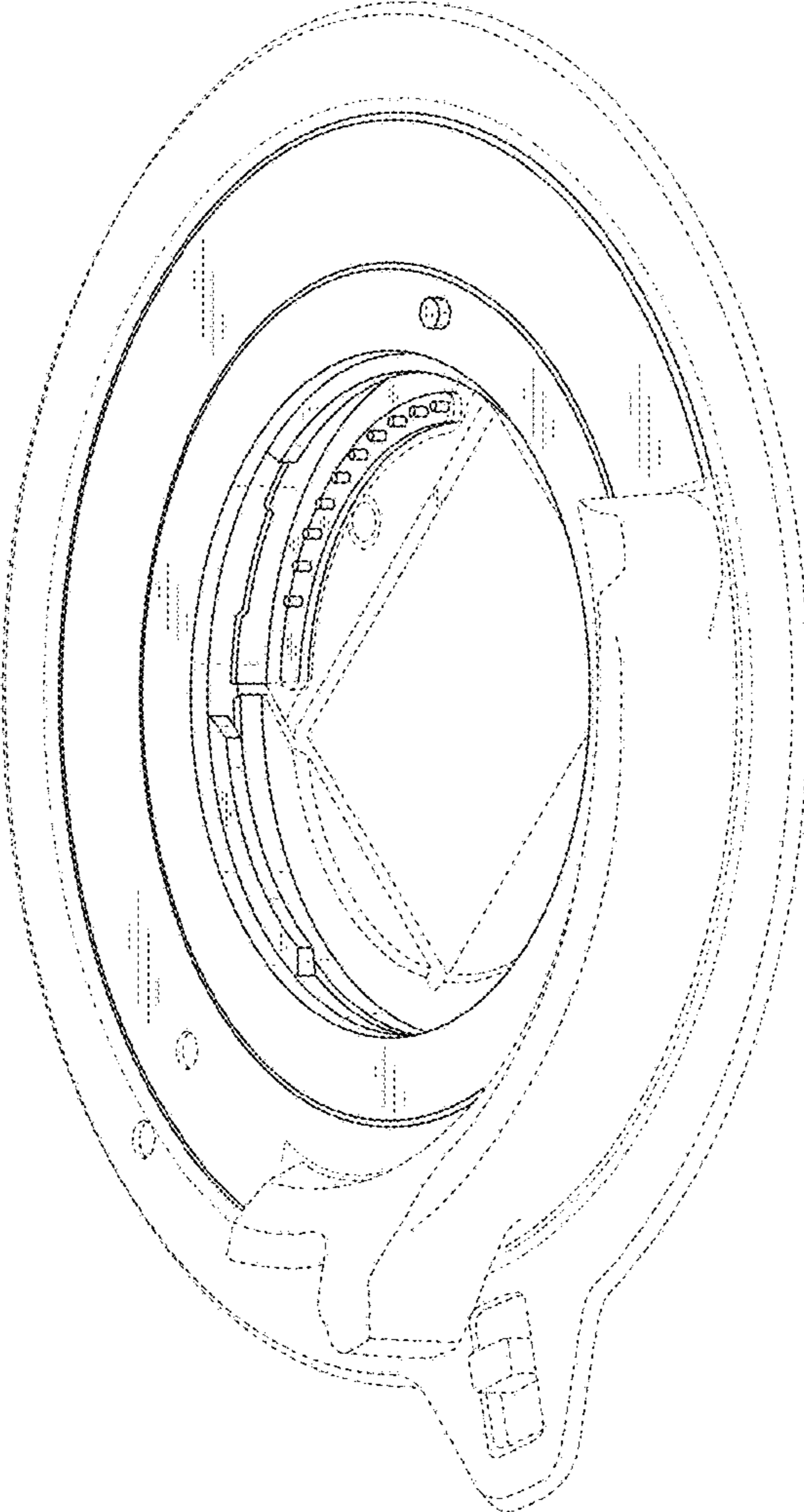


FIG.12

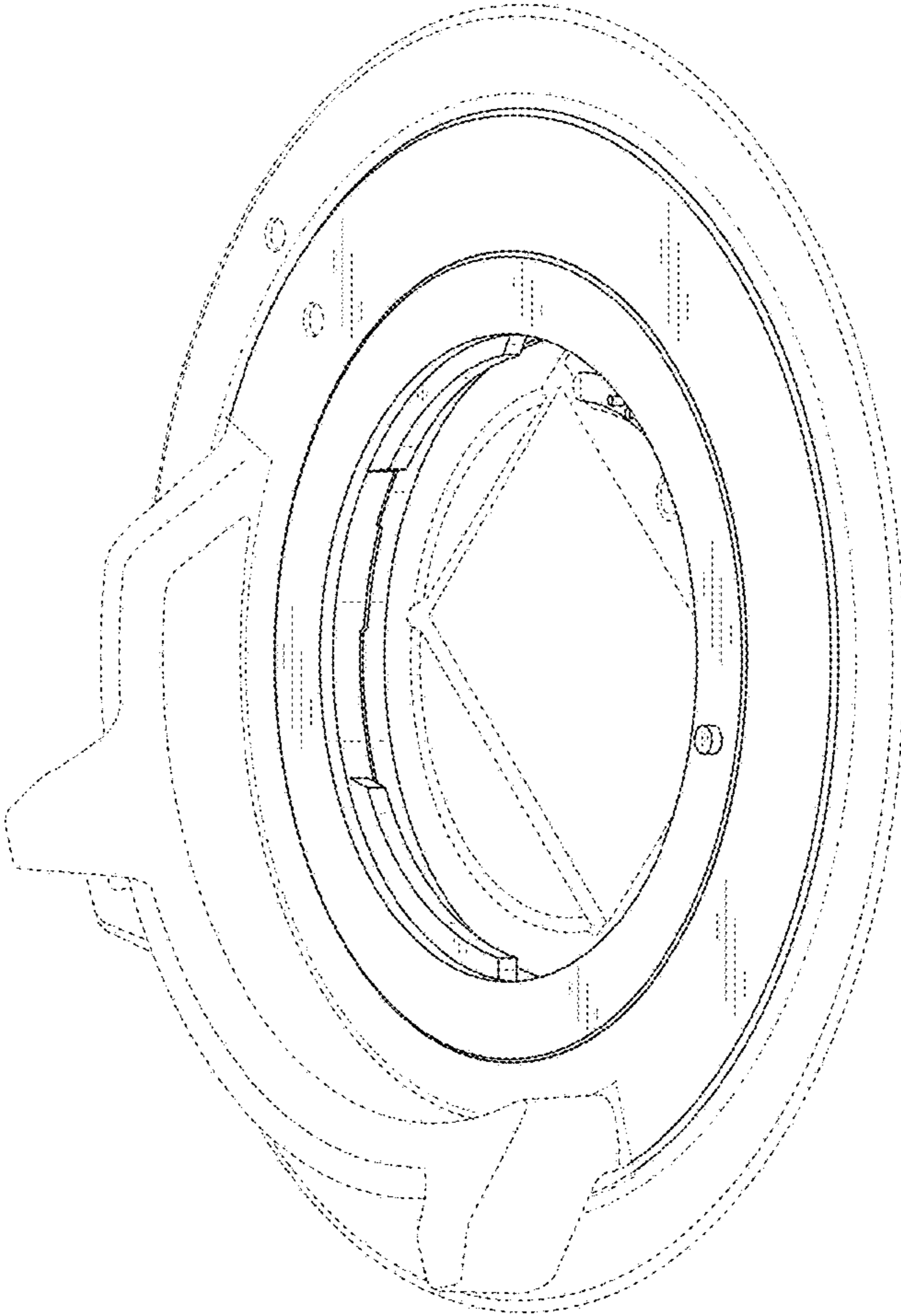


FIG.13

