



US00D867428S

(12) **United States Design Patent**
Jiang et al.

(10) **Patent No.:** **US D867,428 S**

(45) **Date of Patent:** **** Nov. 19, 2019**

(54) **INFRARED CAMERA**

(71) Applicant: **Wuhan Guide Sensmart Tech Co., Ltd.**, Wuhan (CN)

(72) Inventors: **Lei Jiang**, Wuhan (CN); **Xuhui Sun**, Wuhan (CN); **Peng Wang**, Wuhan (CN); **Cheng Huang**, Wuhan (CN)

(73) Assignee: **Wuhan Guide Sensmart Tech Co., Ltd.**, Wuhan (CN)

(**) Term: **15 Years**

(21) Appl. No.: **29/648,987**

(22) Filed: **May 25, 2018**

(30) **Foreign Application Priority Data**

Dec. 22, 2017 (CN) 2017 3 0662239

(51) **LOC (12) Cl.** **16-01**

(52) **U.S. Cl.**
USPC **D16/218**

(58) **Field of Classification Search**
USPC D16/200, 202-206, 208, 218, 219, 242;
348/164, 347, 373-376; 396/535,
396/539-541; 250/330, 332
CPC G03B 15/03; G03B 17/02; G03B 17/04;
G03B 17/56; G03B 19/04; H04N 5/2251;
H04N 5/2252; H04N 5/2253; H04N
5/2254; H04N 2101/00; H04N 5/33;
H04N 5/332
See application file for complete search history.

(56) **References Cited**

U.S. PATENT DOCUMENTS

D312,649 S * 12/1990 Sakuta D16/202
5,221,964 A * 6/1993 Chamberlain H04N 5/2251
348/224.1

D447,500 S * 9/2001 Funato D16/202
6,783,286 B2 * 8/2004 Maeda G08B 13/19626
348/143
D586,834 S * 2/2009 Andrews D16/203
D657,409 S * 4/2012 Miyashita D16/203
D668,282 S * 10/2012 Ohno D16/203
D743,472 S * 11/2015 Tanifuji D16/203
D744,578 S * 12/2015 Zhan D16/237
D754,230 S * 4/2016 Mori D16/200
D789,999 S * 6/2017 Yakabe D16/200
D823,918 S * 7/2018 Shain D16/202
2011/0298925 A1 * 12/2011 Inoue H04N 5/2251
348/148

* cited by examiner

Primary Examiner — Ramzi S Almatrahi

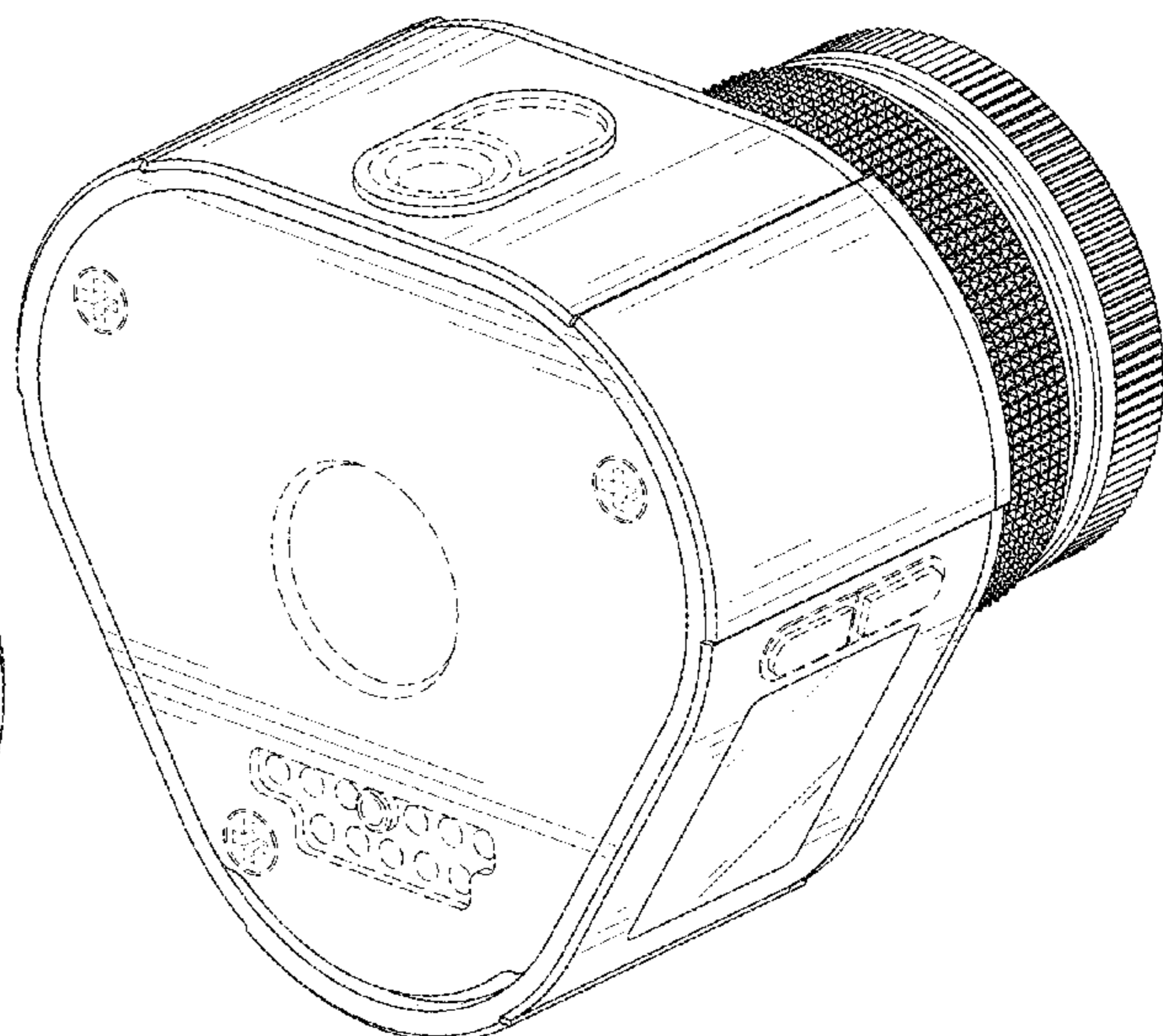
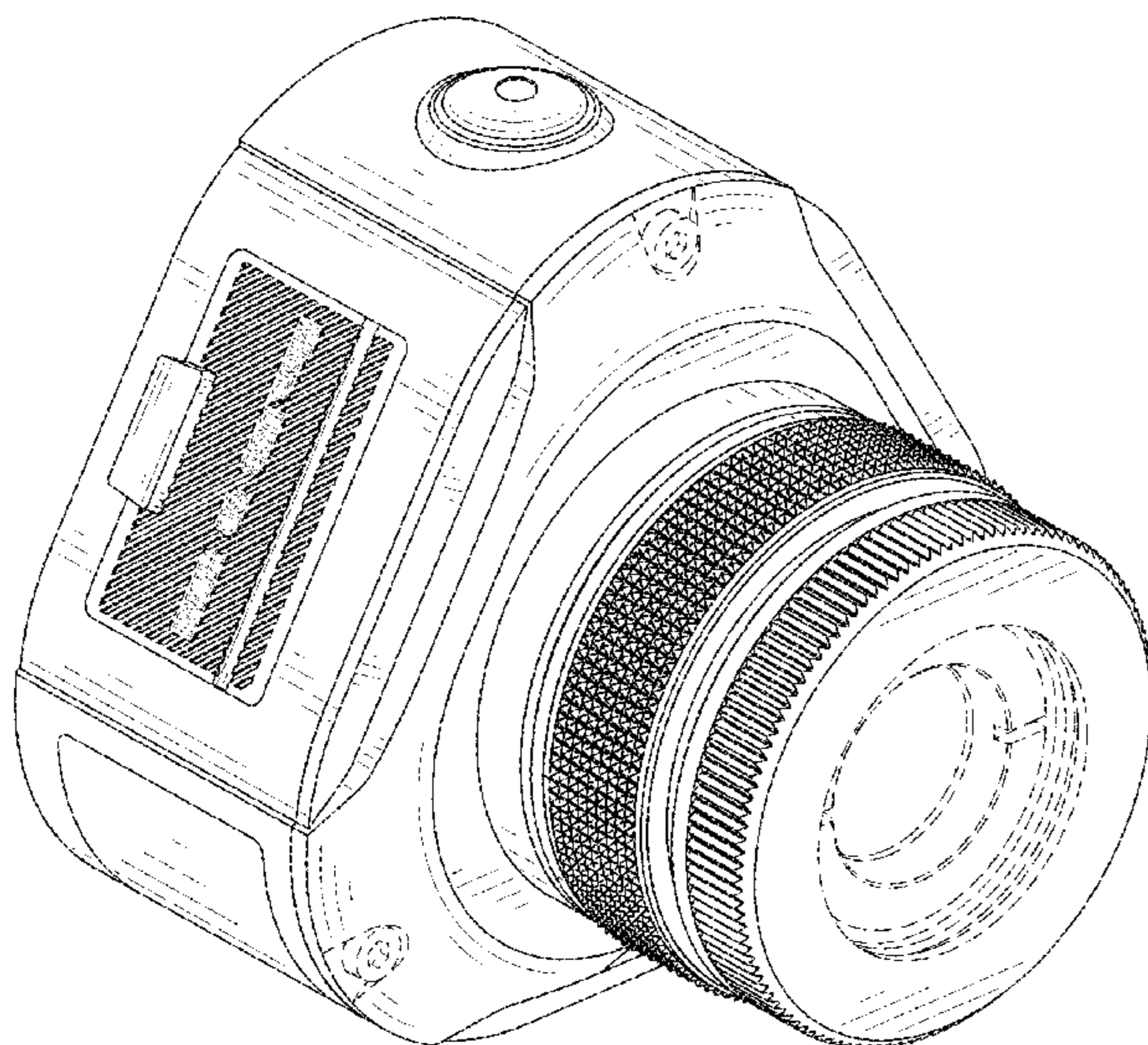
(57) **CLAIM**

The ornamental design for an infrared camera, as shown and described.

DESCRIPTION

FIG. 1 is a front perspective view of an infrared camera showing our new design;
FIG. 2 is a rear perspective view thereof;
FIG. 3 is a front view thereof;
FIG. 4 is a rear view thereof;
FIG. 5 is a left side view thereof;
FIG. 6 is a right side view thereof;
FIG. 7 is a top view thereof; and,
FIG. 8 is a bottom view thereof.
The broken lines depict portions of the infrared camera in which the design is embodied that form no part of the claimed design.

1 Claim, 8 Drawing Sheets



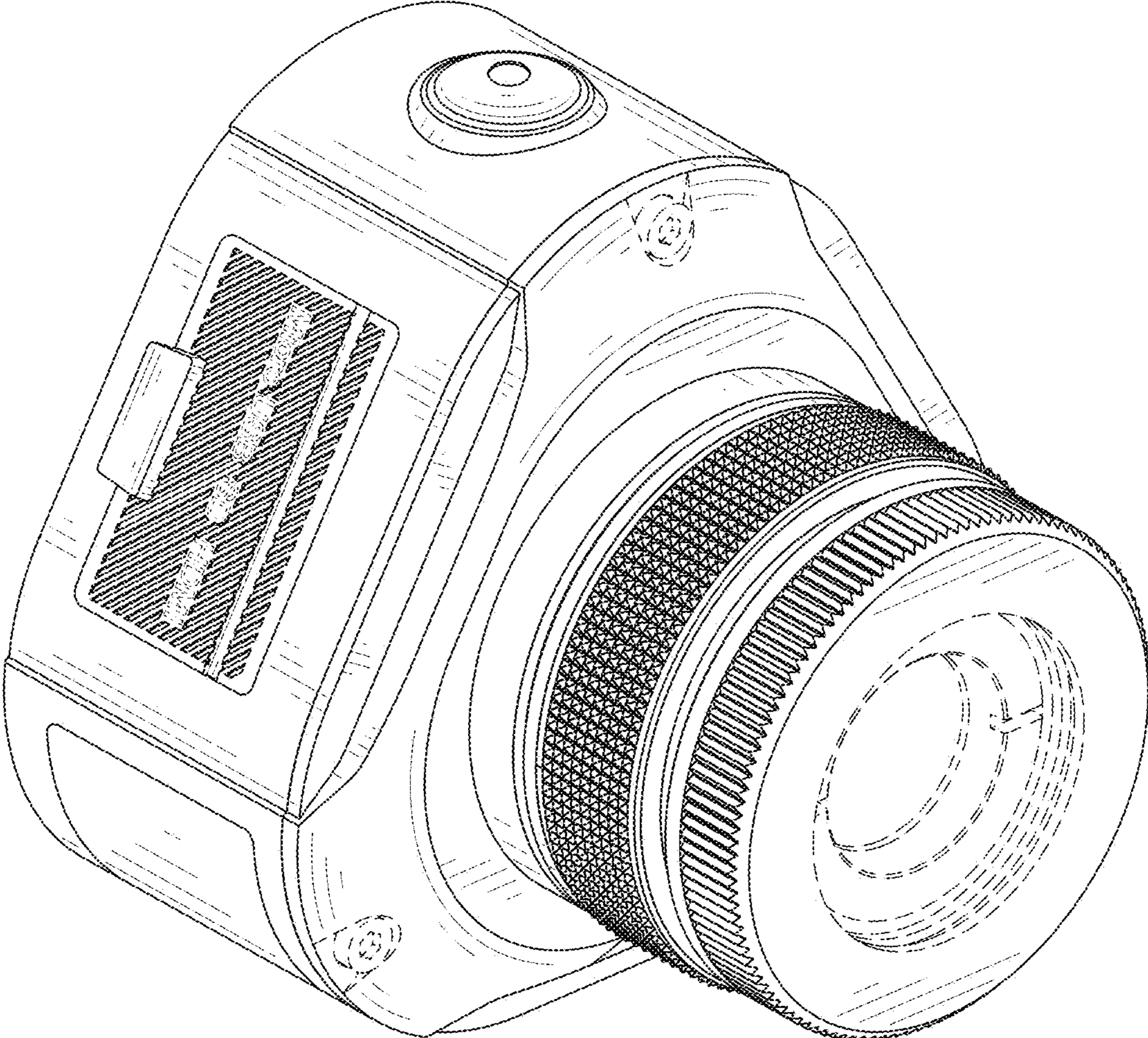


FIG. 1

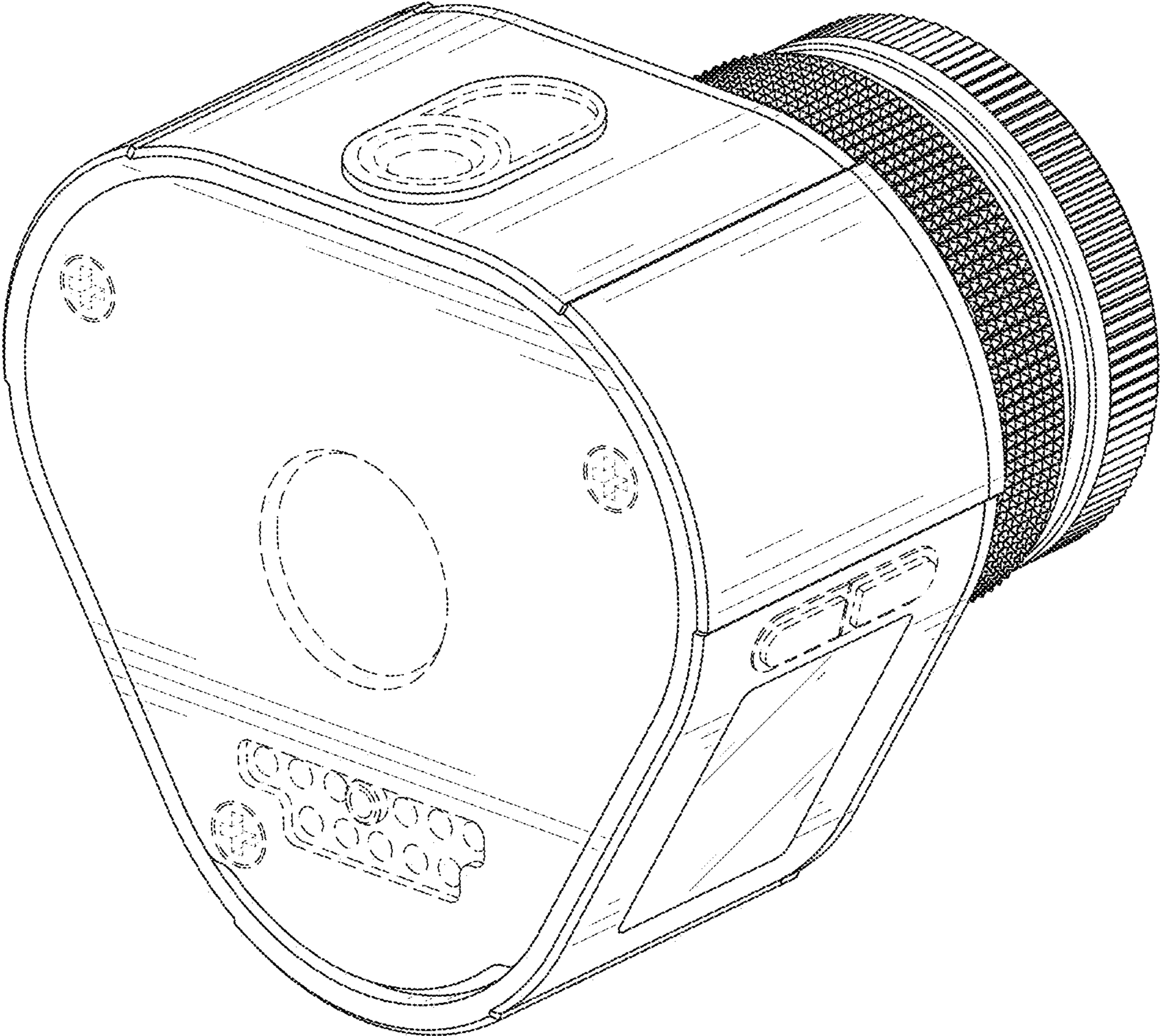


FIG. 2

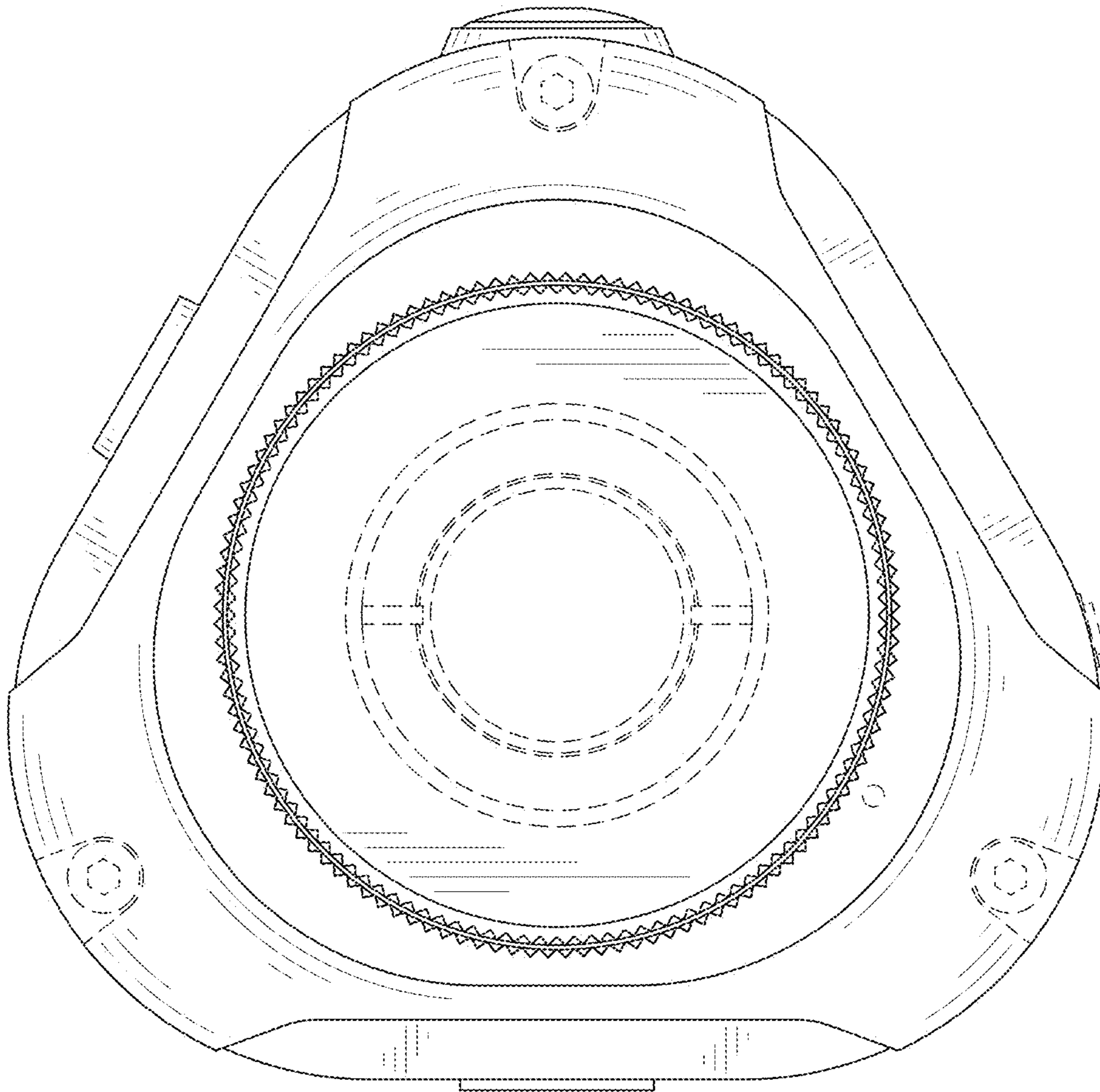


FIG. 3

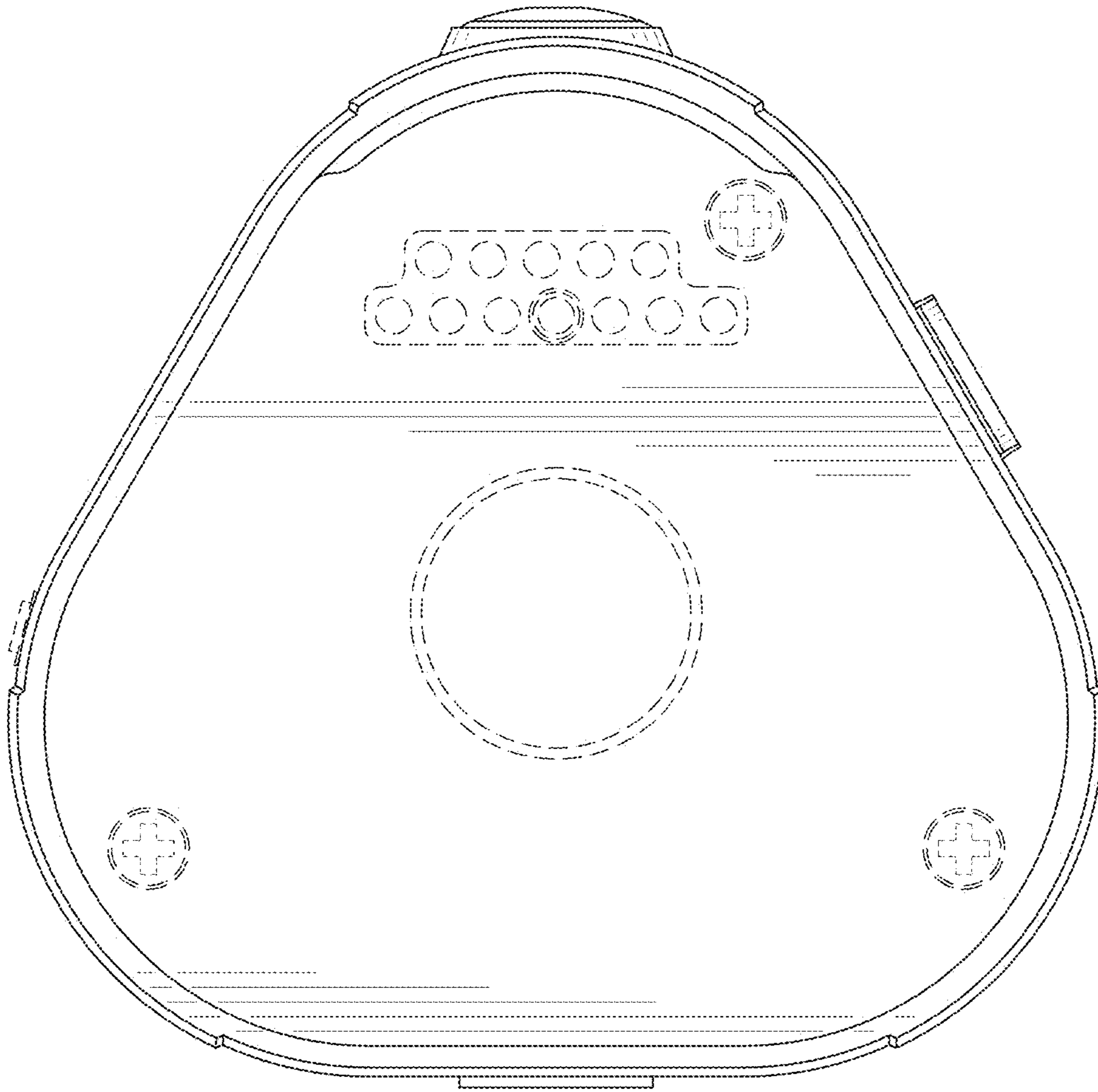


FIG. 4

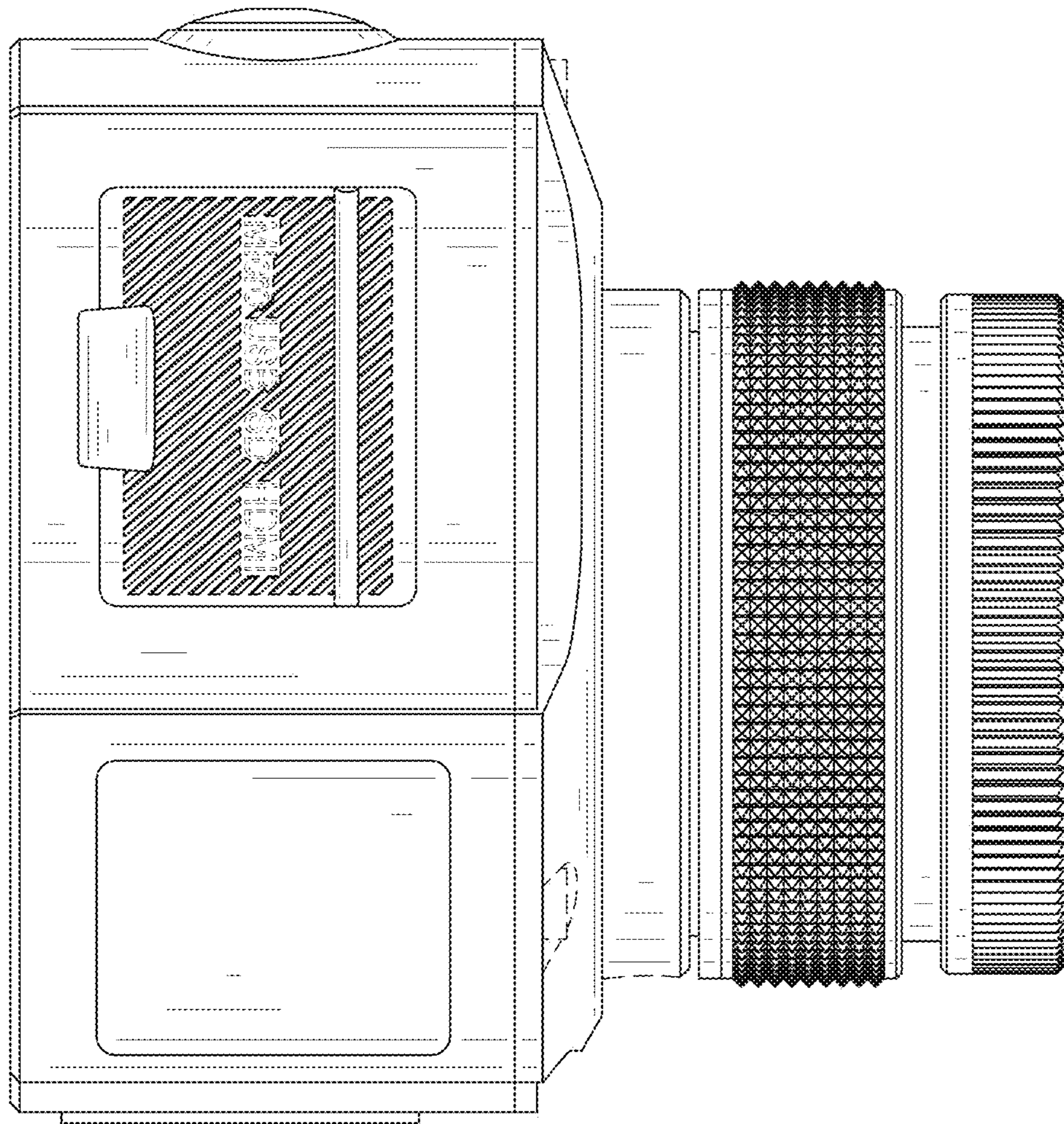


FIG. 5

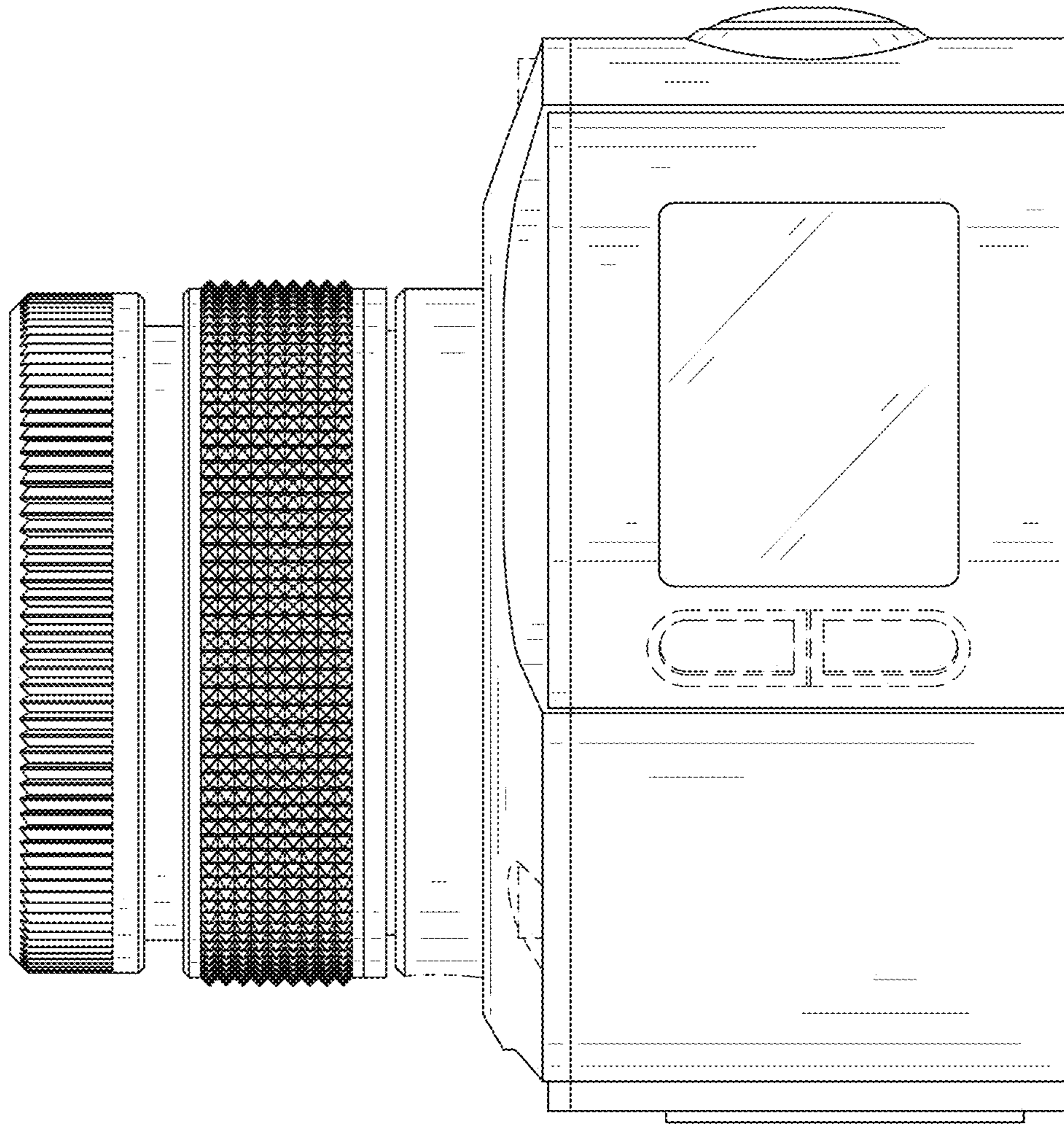


FIG. 6

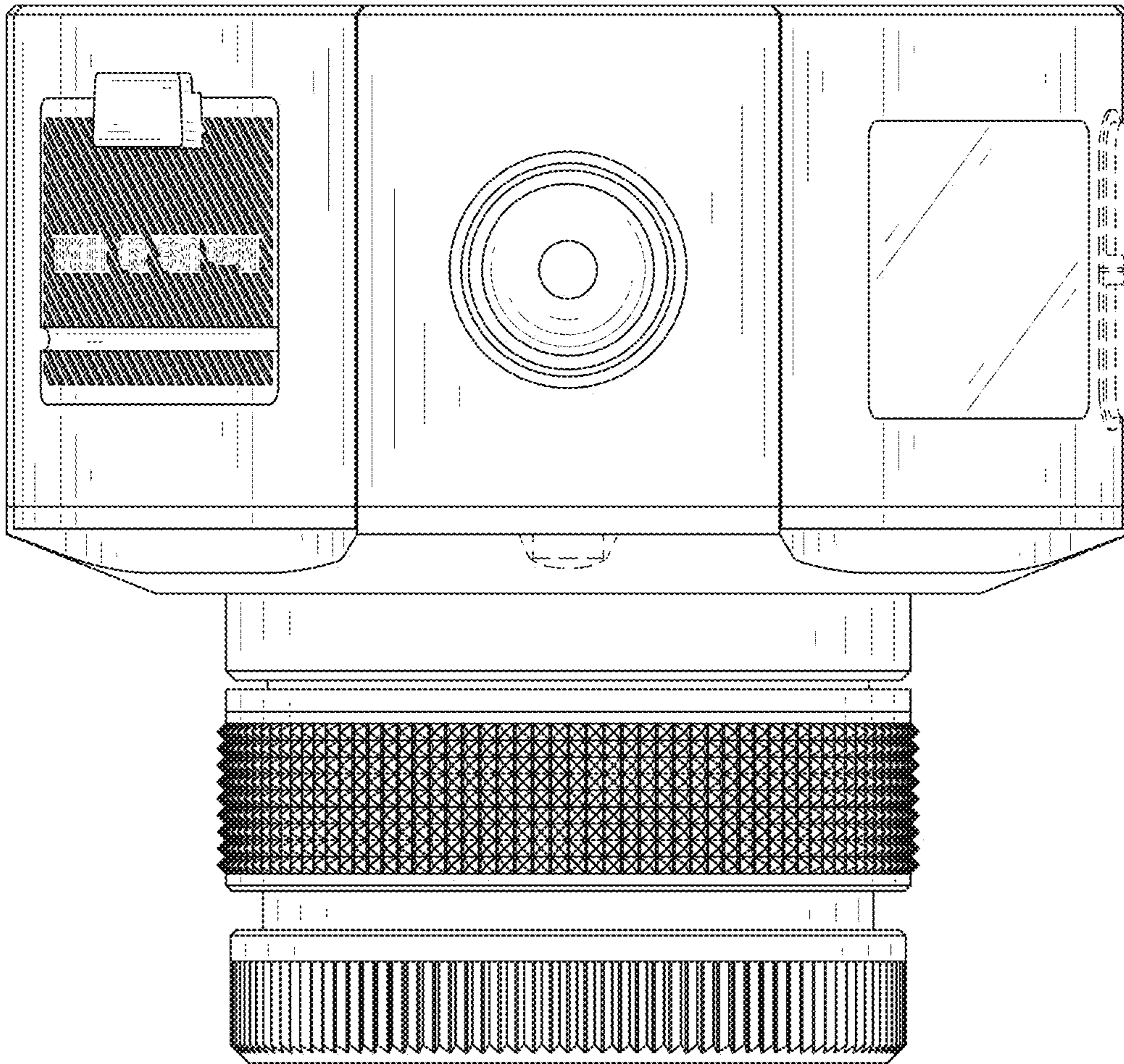


FIG. 7

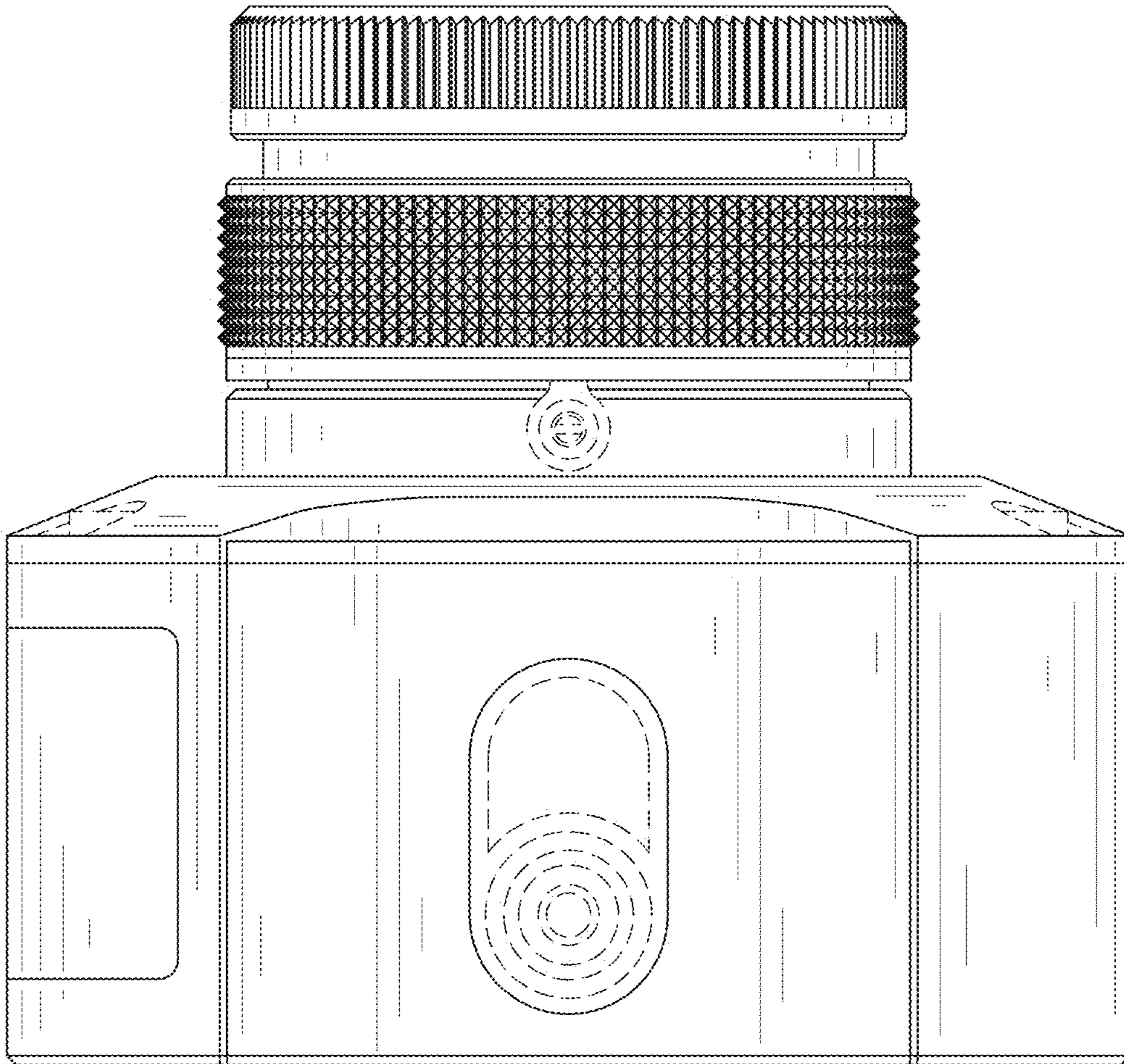


FIG. 8