



US00D867427S

(12) **United States Design Patent**
Bai et al.

(10) **Patent No.:** **US D867,427 S**

(45) **Date of Patent:** **** Nov. 19, 2019**

(54) **PANORAMA CAMERA**

(71) Applicant: **Shenzhen Evomotion Co., Ltd.**,
Shenzhen (CN)

(72) Inventors: **Tiangang Bai**, Shenzhen (CN); **Lufang Gao**, Shenzhen (CN)

(73) Assignee: **SHENZHEN EVOMOTION CO., LTD.**, Shenzhen (CN)

(**) Term: **15 Years**

(21) Appl. No.: **29/640,205**

(22) Filed: **Mar. 12, 2018**

(30) **Foreign Application Priority Data**

Sep. 12, 2017 (CN) 2017 3 0430400

(51) **LOC (12) Cl.** **16-01**

(52) **U.S. Cl.**
USPC **D16/210; D16/202**

(58) **Field of Classification Search**
USPC D16/200, 202–210, 218, 219; 348/164,
348/347, 373–376; 396/535, 539–541
CPC G03B 15/03; G03B 17/02; G03B 17/04;
G03B 17/56; G03B 19/04; H04N 5/2251;
H04N 5/2252; H04N 5/2253; H04N
5/2254; H04N 2101/00; H04N 5/33;
H04N 5/332

See application file for complete search history.

(56) **References Cited**

U.S. PATENT DOCUMENTS

D537,094 S * 2/2007 Lee D16/200
D616,901 S * 6/2010 Ward D14/507

D617,821 S * 6/2010 Kaplan D16/202
D633,930 S * 3/2011 Dinger D16/202
D638,458 S * 5/2011 Miyamori D16/202
D641,771 S * 7/2011 Sasaki D16/202
D732,594 S * 6/2015 Kawa D16/202
D737,878 S * 9/2015 Zhang D16/218
D747,379 S * 1/2016 Onruang D16/202
D770,553 S * 11/2016 Schield D16/202
D794,695 S * 8/2017 Zhang D16/218
D797,836 S * 9/2017 Li D16/218
2013/0038728 A1 * 2/2013 Kim H04N 5/2252
348/143

* cited by examiner

Primary Examiner — Ramzi S Almatrahi

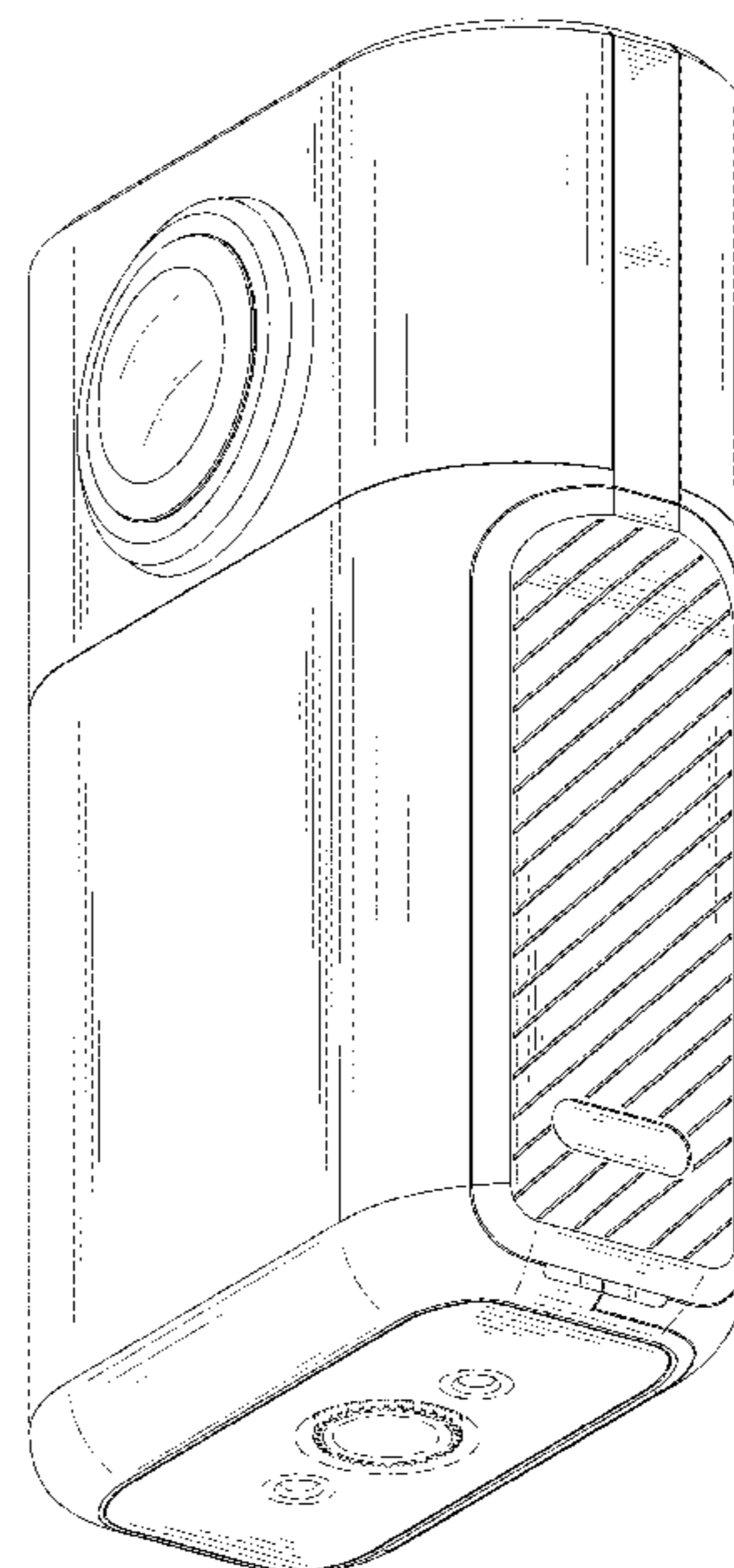
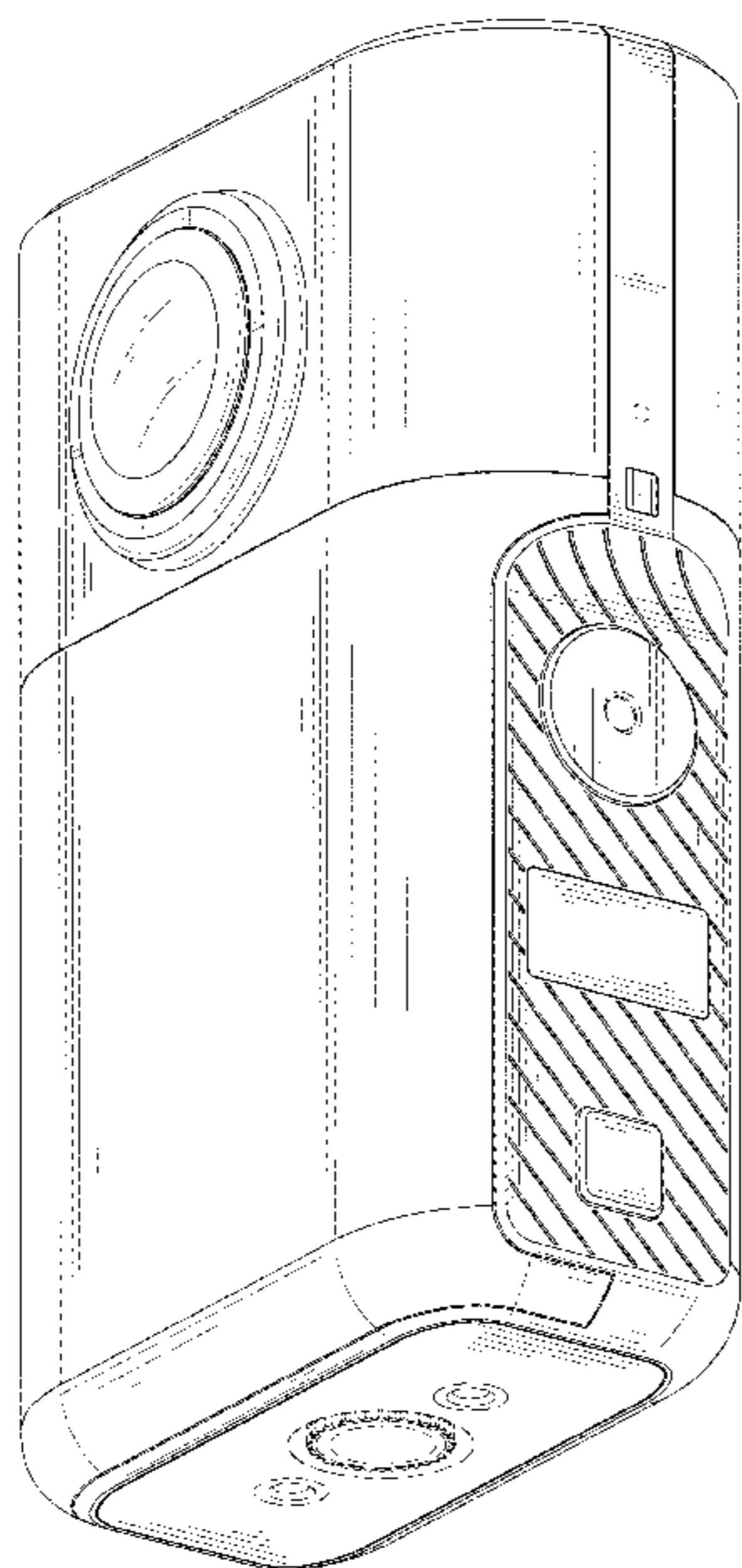
(57) **CLAIM**

The ornamental design for a panorama camera, as shown and described.

DESCRIPTION

FIG. 1 is a bottom, front and right side perspective view of a panorama camera showing our new design;
FIG. 2 is a bottom, rear and left side perspective view thereof;
FIG. 3 is a front elevational view thereof;
FIG. 4 is a rear elevational view thereof;
FIG. 5 is a right side view thereof;
FIG. 6 is a left side view thereof;
FIG. 7 is a top plan view thereof; and,
FIG. 8 is a bottom plan view thereof.
The broken lines depict portions of the panorama camera in which the design is embodied that form no part of the claimed design.

1 Claim, 8 Drawing Sheets



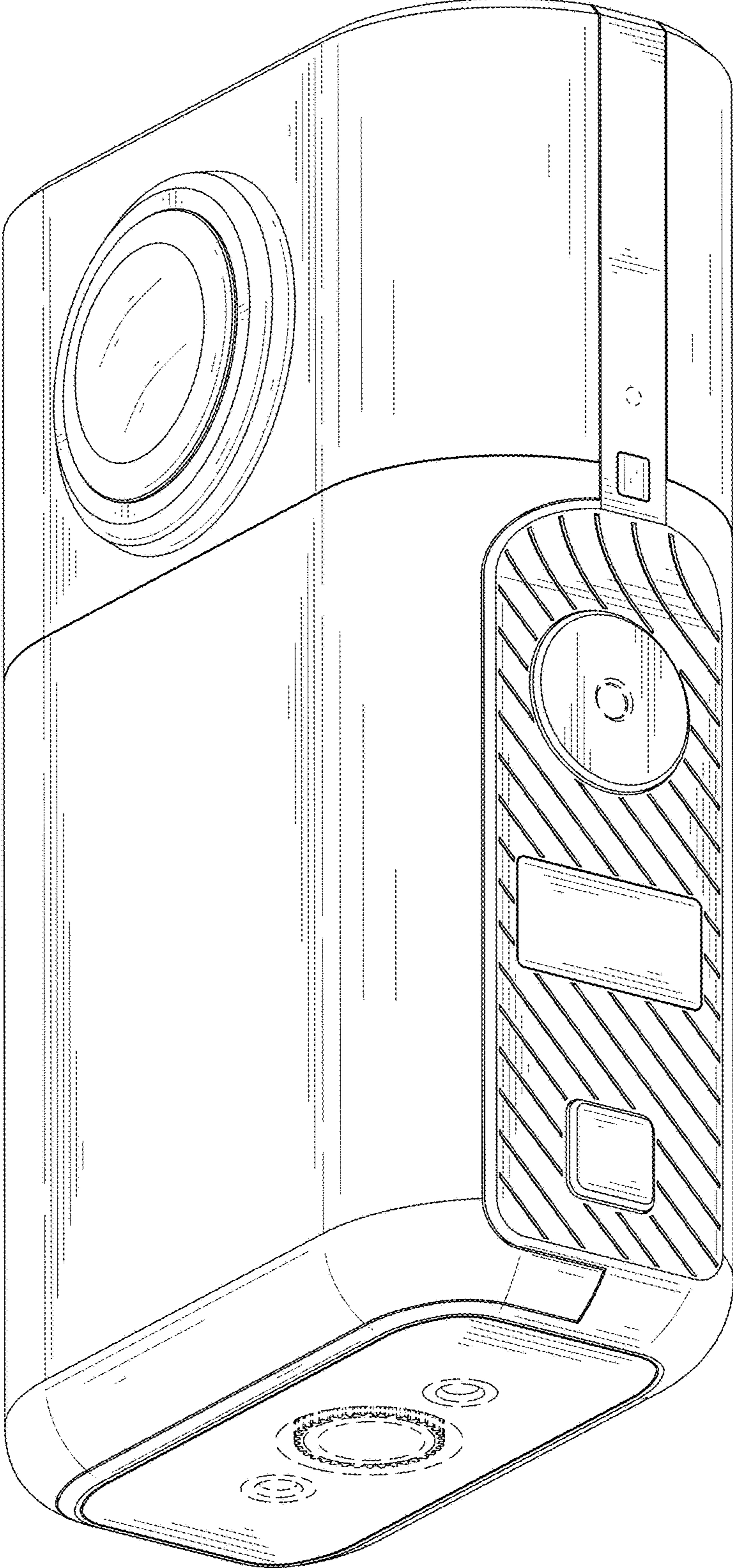


FIG. 1

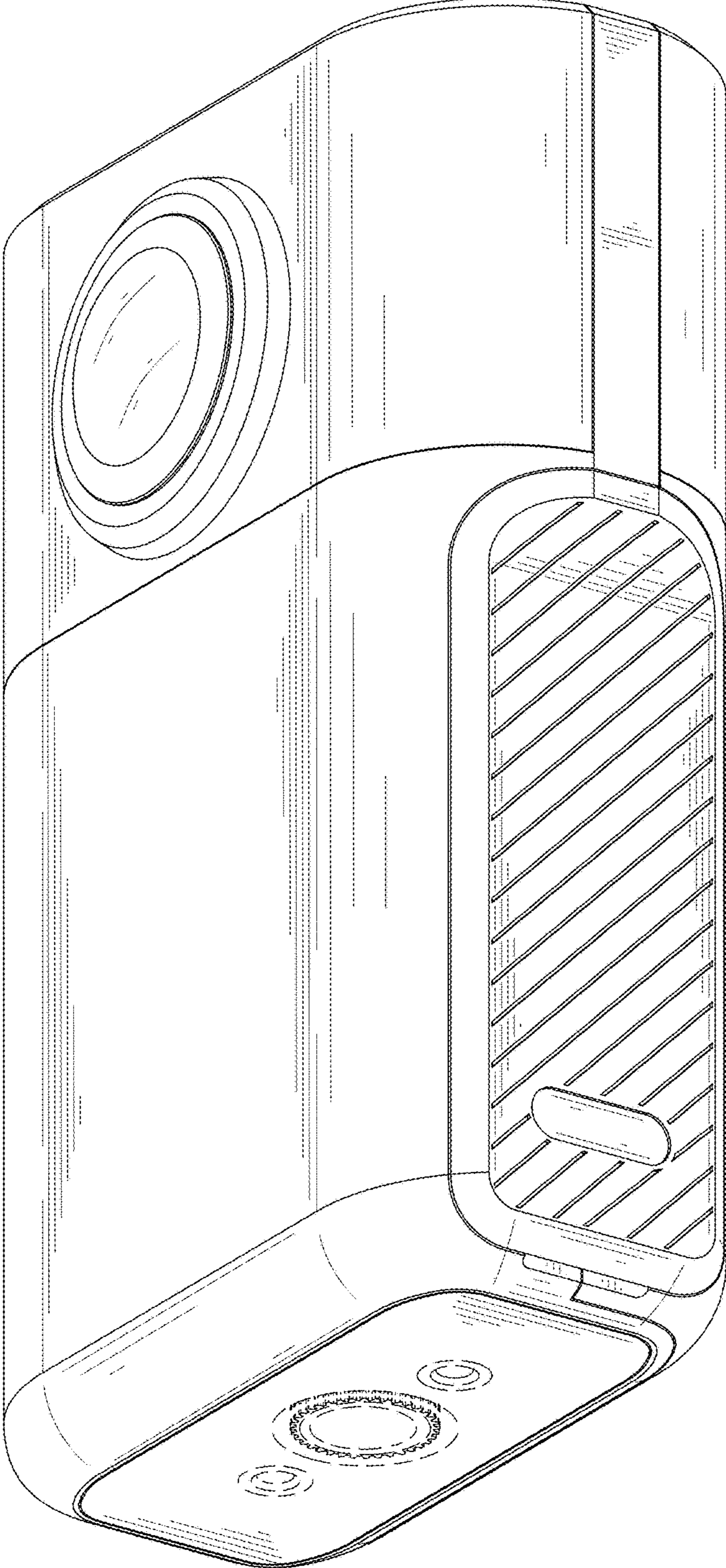


FIG. 2

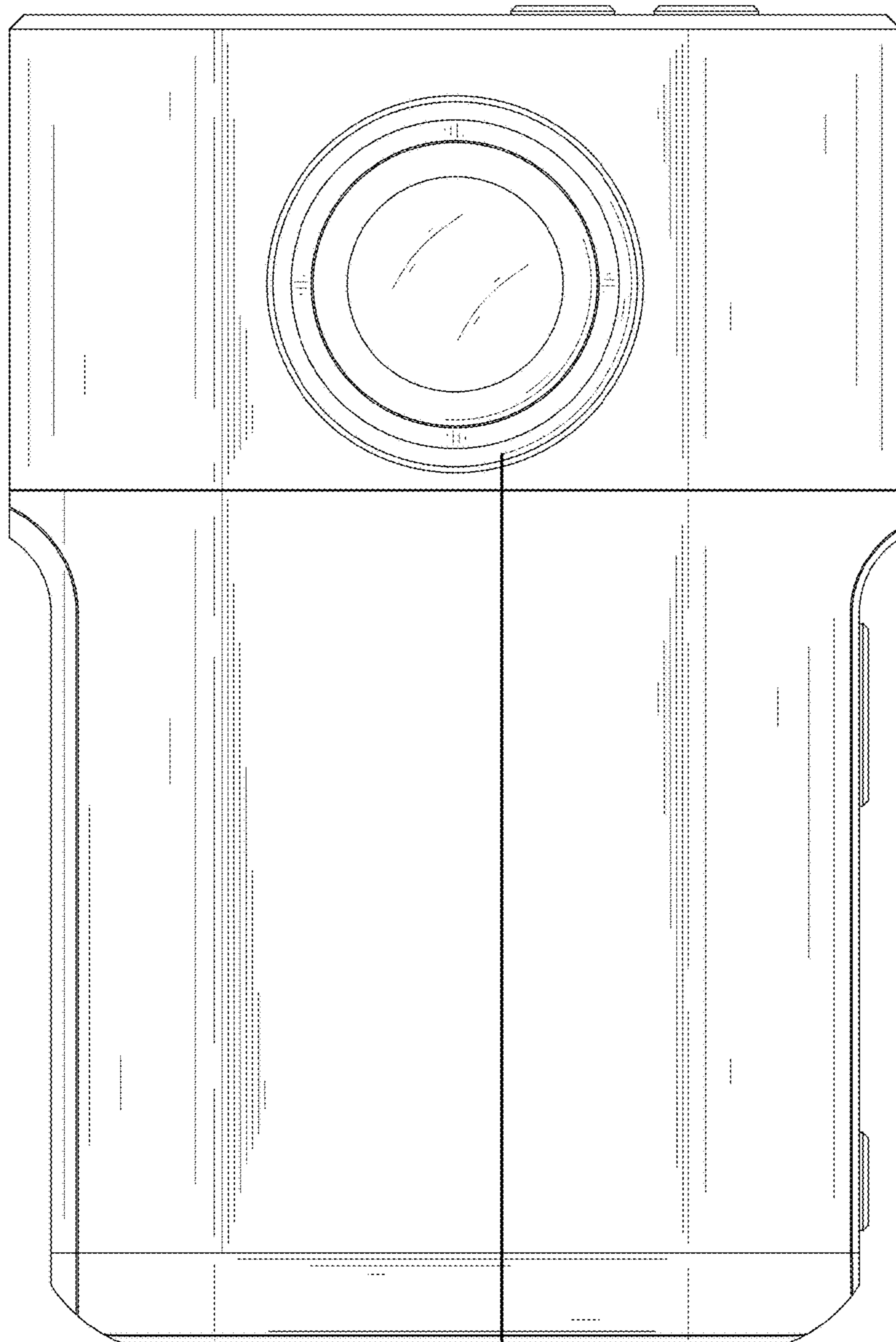


FIG. 3

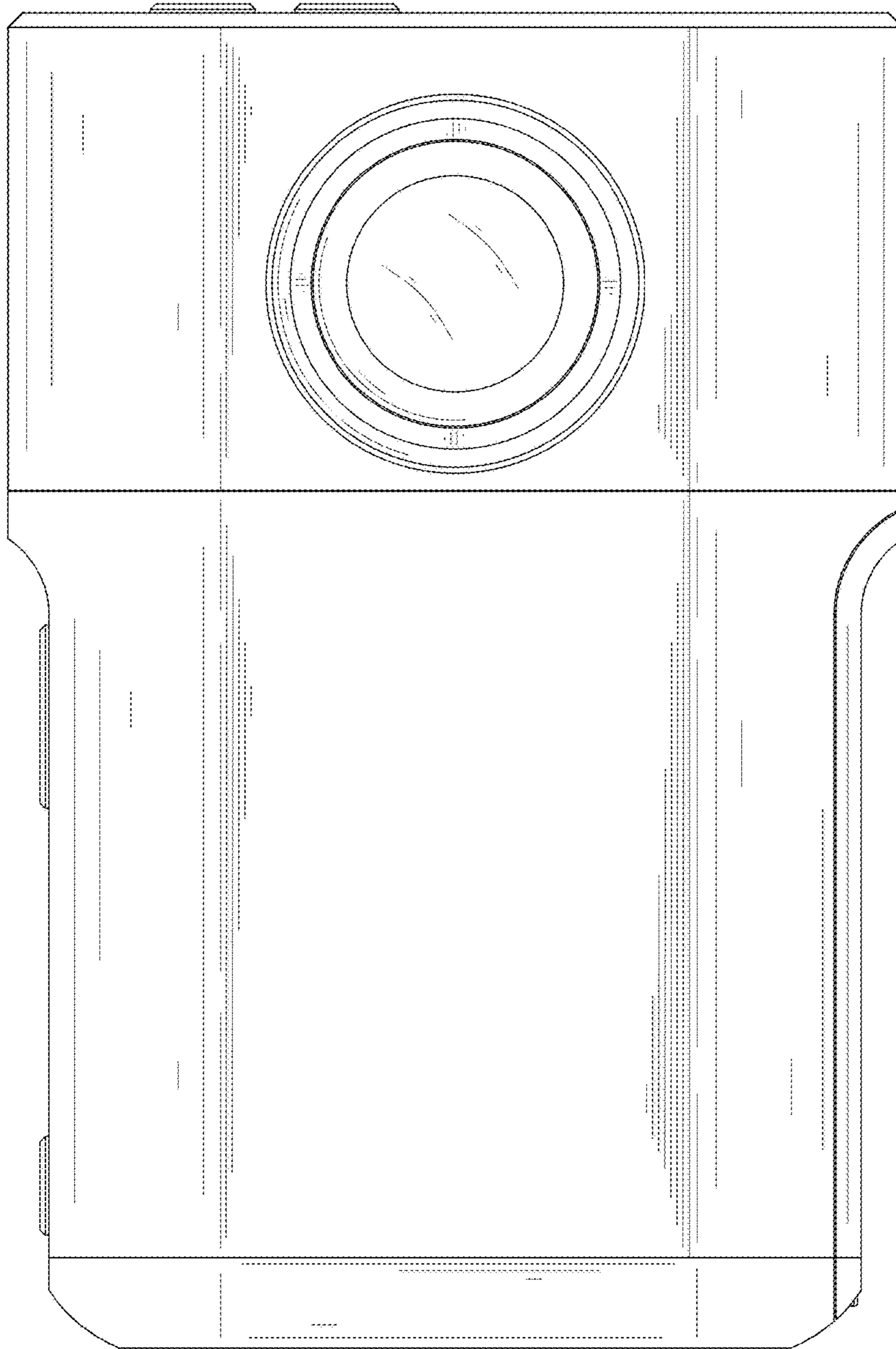


FIG. 4

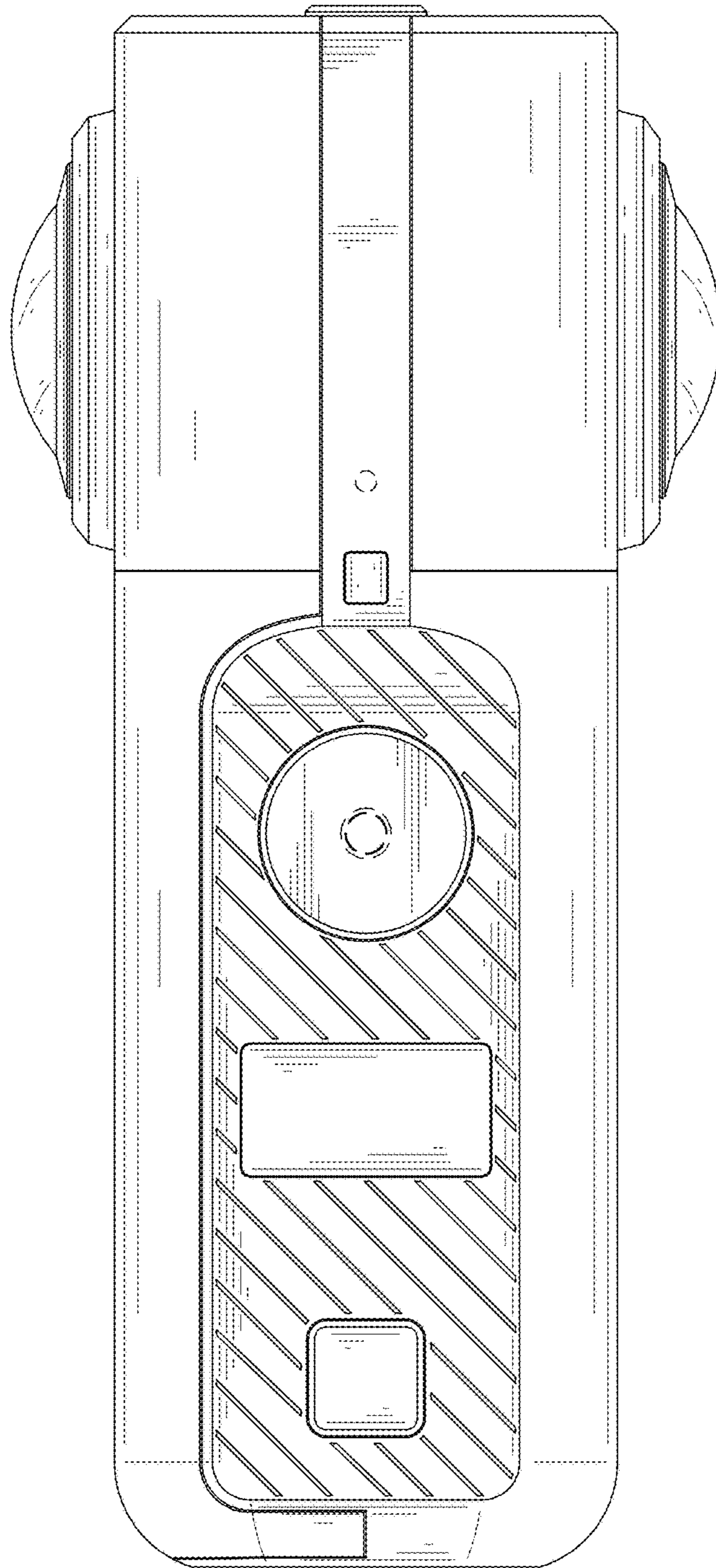


FIG. 5

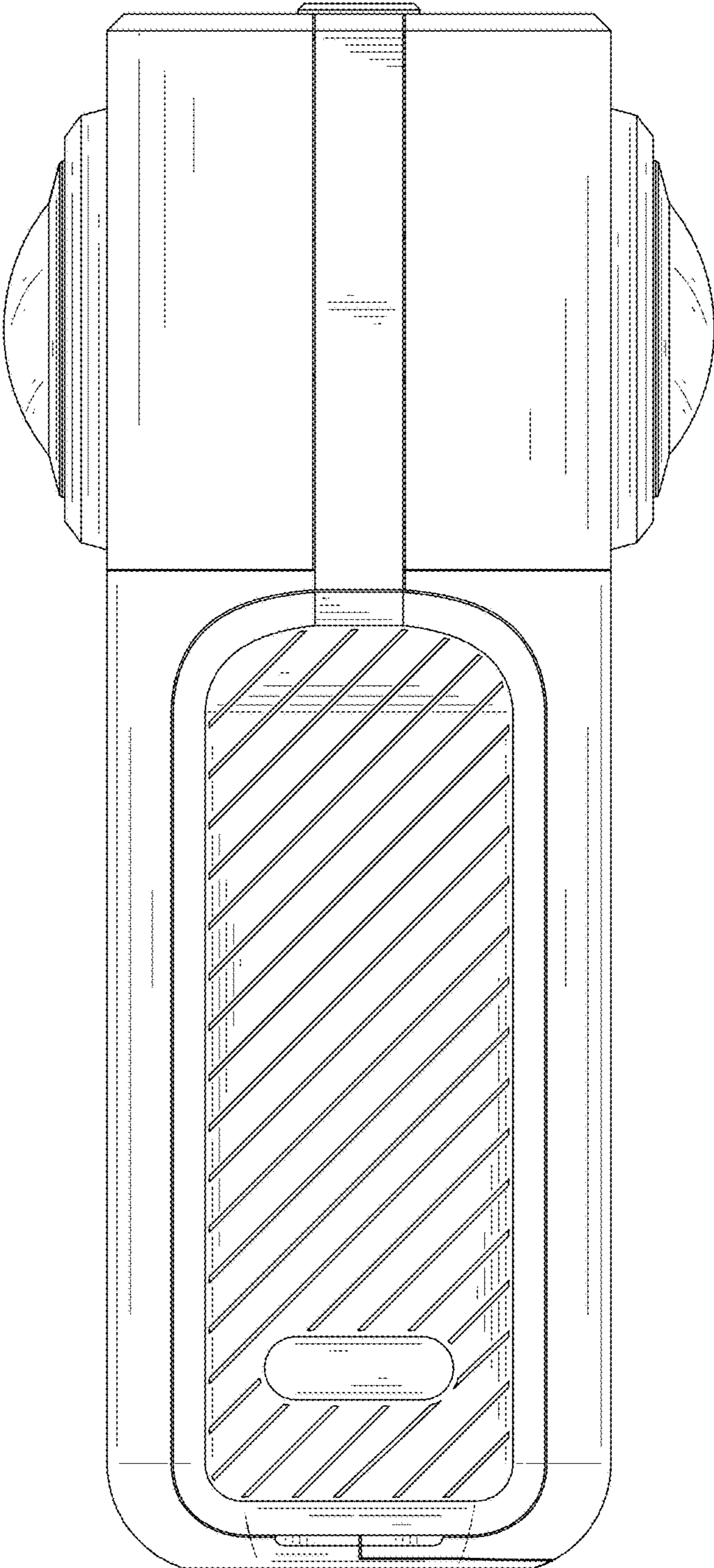


FIG. 6

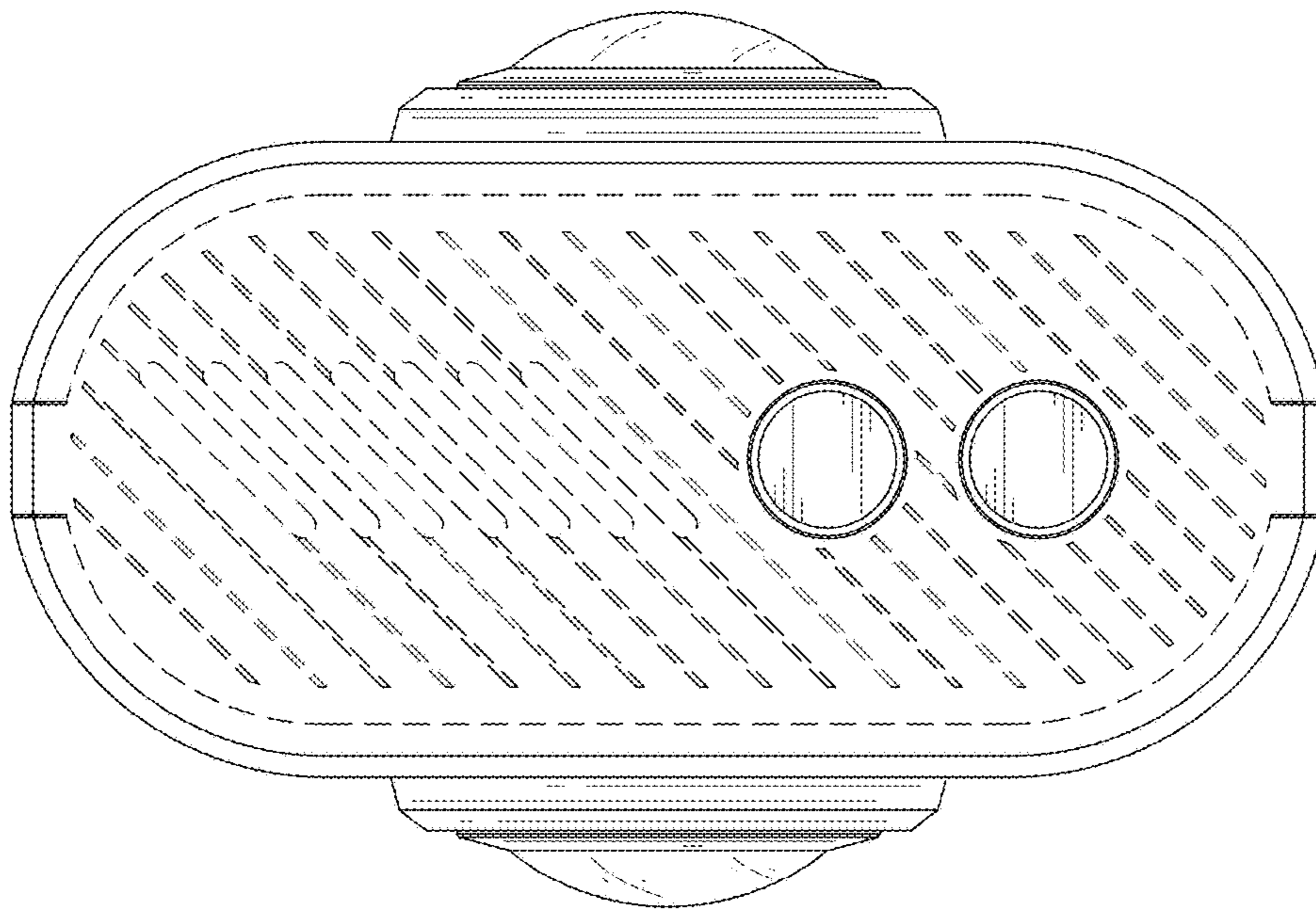


FIG. 7

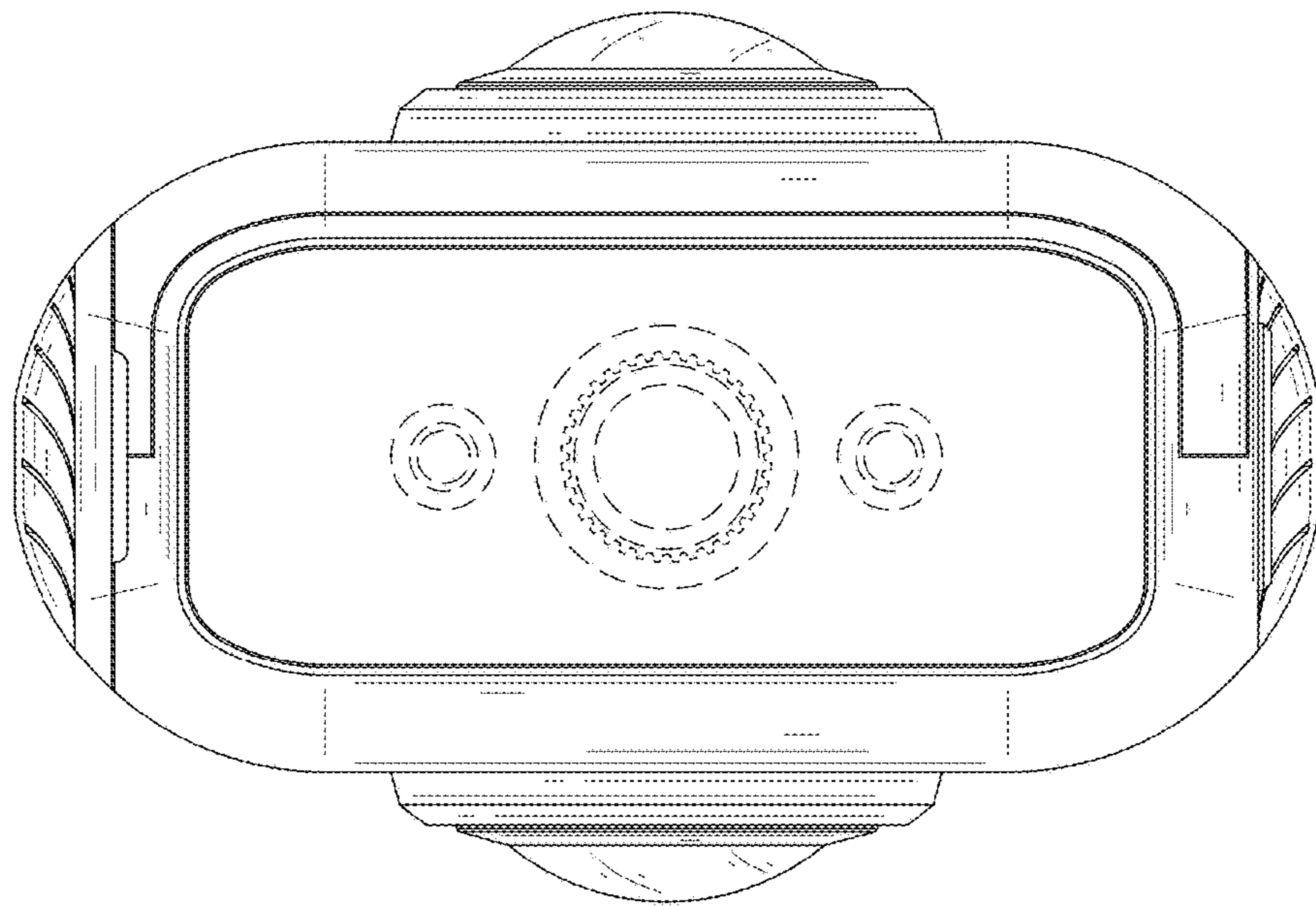


FIG. 8