

US00D867424S

(12) **United States Design Patent** (10) **Patent No.:** **US D867,424 S**
Helaoui et al. (45) **Date of Patent:** **** Nov. 19, 2019**

(54) **MONITORING CAMERA**

(71) Applicant: **AXIS AB**, Lund (SE)

(72) Inventors: **Samir Helaoui**, Malmö (SE); **Johan Bergsten**, Landskrona (SE); **Mikael Persson**, Malmö (SE); **Jens Pahlitzsch**, Lund (SE); **Rafael Portela**, Malmö (SE); **Daniel Ahman**, Lomma (SE); **Morten Bergstrom**, Lund (SE); **Henrik Svedberg**, Loddekopinge (SE); **Christian Jacobsson**, Lund (SE); **Niclas Lewin**, Lund (SE)

(73) Assignee: **AXIS AB**, Lund (SE)

(**) Term: **15 Years**

(21) Appl. No.: **29/680,231**

(22) Filed: **Feb. 14, 2019**

Related U.S. Application Data

(62) Division of application No. 29/619,931, filed on Oct. 3, 2017.

(30) **Foreign Application Priority Data**

Apr. 5, 2017 (EM) 003841972-0001
 Apr. 5, 2017 (EM) 003841972-0002
 Apr. 5, 2017 (EM) 003841972-0003

(51) **LOC (12) Cl.** **16-01**

(52) **U.S. Cl.**
USPC **D16/203**

(58) **Field of Classification Search**

USPC D16/200, 202–206, 218, 219, 242;
 348/143, 148, 151, 373–376; 396/419,
 396/427, 535, 539–541
 CPC G03B 17/02; G03B 19/04; G03B 17/56;
 G03B 17/04; G03B 15/03; H04N 5/2251;
 H04N 5/2252; H04N 5/2253; H04N
 5/2254; H04N 7/181; H04N 7/183; H04N
 7/18;

(Continued)

(56) **References Cited**

U.S. PATENT DOCUMENTS

D416,273 S 11/1999 Yamakawa et al.
 D425,535 S 5/2000 Mutoh et al.
 D426,250 S 6/2000 Lefkowitz
 (Continued)

FOREIGN PATENT DOCUMENTS

CN 300769923 4/2008
 CN 302327164 2/2013
 (Continued)

OTHER PUBLICATIONS

Axis Q6032-E PTZ Dome Network Camera, Advanced, outdoor-ready PTZ dome for demanding surveillance, Axis Communications, 2 pages, 2013 Axis Communications AB, www.axis.com.

Primary Examiner — Ramzi S Almatrahi

(74) *Attorney, Agent, or Firm* — Volpe and Koenig, P.C.

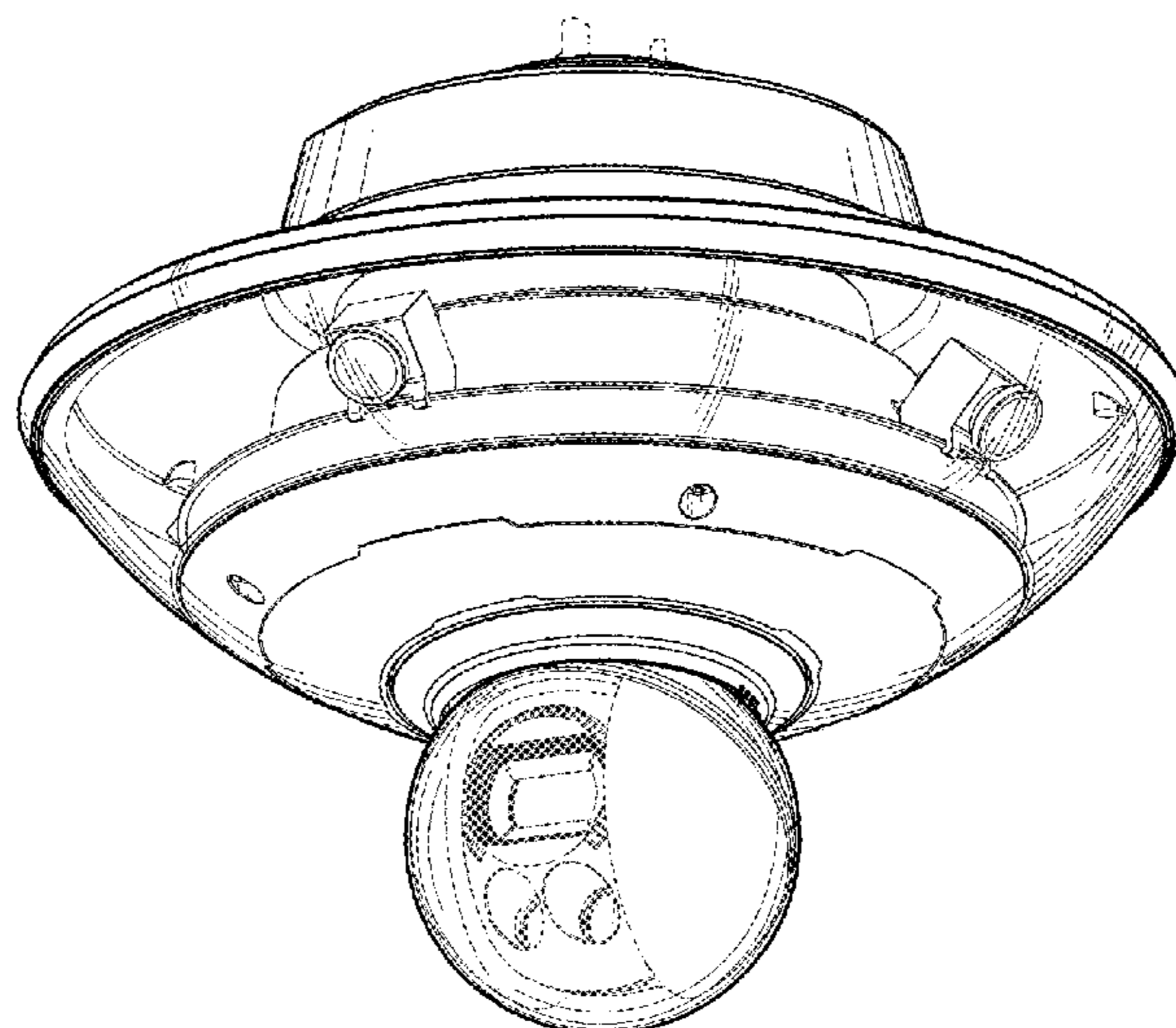
(57) **CLAIM**

The ornamental design for a monitoring camera, as shown and described.

DESCRIPTION

FIG. 1 is a perspective view of a monitoring camera showing our new design;
 FIG. 2 is a left side elevational view thereof;
 FIG. 3 is a bottom plan view thereof;
 FIG. 4 is a rear elevational view thereof;
 FIG. 5 is a front elevational view thereof;
 FIG. 6 is a right side elevational view thereof; and,
 FIG. 7 is a top plan view thereof.
 The broken lines shown in the drawings depict portions of the monitoring camera that form no part of the claimed design.

1 Claim, 4 Drawing Sheets



(58) **Field of Classification Search**
 CPC G08B 13/1963; G08B 13/19619; G08B
 13/19632; F16M 11/04; F16M 13/00
 See application file for complete search history.

D798,933 S * 10/2017 Little D16/203
 D816,755 S 5/2018 Barnekow et al.
 D820,895 S * 6/2018 Bergstrom D16/203
 D824,985 S * 8/2018 Teachworth D16/203
 D831,724 S * 10/2018 Bergstrom D16/203
 D841,716 S * 2/2019 Teachworth D16/203

(56) **References Cited**

U.S. PATENT DOCUMENTS

| | | | |
|--------------|---------|-------------------------|--|
| D467,676 S | 12/2002 | Packer et al. | |
| D468,654 S | 1/2003 | Wunsch | |
| D499,126 S | 11/2004 | Kato et al. | |
| D552,501 S | 10/2007 | Lin et al. | |
| D552,651 S | 10/2007 | Arbuckle | |
| D556,236 S | 11/2007 | Kim | |
| D575,810 S | 8/2008 | Alm | |
| D600,152 S | 9/2009 | Stack et al. | |
| 7,614,804 B2 | 11/2009 | Kim | |
| D606,105 S | 12/2009 | Hinkel | |
| D615,114 S | 5/2010 | Arnold et al. | |
| D628,225 S | 11/2010 | Deurwaarder | |
| D633,120 S | 2/2011 | Ham | |
| D636,805 S | 4/2011 | Anneback et al. | |
| D639,842 S | 6/2011 | Zeinoun et al. | |
| 8,066,438 B2 | 11/2011 | Takahashi | |
| D655,328 S | 3/2012 | Anneback et al. | |
| D688,720 S | 8/2013 | Yilin | |
| D694,798 S | 12/2013 | Deurwaarder | |
| 8,790,024 B2 | 7/2014 | Andersson | |
| D721,755 S | 1/2015 | Ahman et al. | |
| D740,874 S | 10/2015 | Ahman et al. | |
| D753,752 S | 4/2016 | Ahman et al. | |
| D777,819 S | 1/2017 | Bergstrom et al. | |
| D782,557 S | 3/2017 | Ahman et al. | |
| D786,330 S * | 5/2017 | Tasselli D16/203 | |
| D796,567 S * | 9/2017 | Bingleman D16/203 | |
| D796,568 S | 9/2017 | Bingleman et al. | |

FOREIGN PATENT DOCUMENTS

| | | |
|----|----------------|---------|
| CN | 302351286 | 3/2013 |
| CN | 302361955 | 3/2013 |
| CN | 302849987 | 6/2014 |
| CN | 302857494 | 6/2014 |
| CN | 302889188 | 7/2014 |
| CN | 3028655457 | 7/2014 |
| EM | 00241513 | 2/2014 |
| EM | 002503334 | 7/2014 |
| EM | 002941013-0001 | 1/2016 |
| EM | 003003789-0001 | 2/2016 |
| EM | 003003789-0002 | 2/2016 |
| EM | 003305630 | 7/2016 |
| EM | 003379932-0001 | 9/2016 |
| EM | 003379932-0002 | 9/2016 |
| EM | 003379932-0003 | 9/2016 |
| EM | 003305630_0001 | 11/2016 |
| EM | 003305630-0002 | 11/2016 |
| JP | 1479225 | 8/2013 |
| JP | 1479226 | 8/2013 |
| JP | 1525303 | 5/2015 |
| JP | 1525304 | 5/2015 |
| JP | 1538589 | 10/2015 |
| JP | 1538812 | 10/2015 |
| JP | 1544095 | 1/2016 |
| JP | 1545203 | 2/2016 |
| TW | D174145 | 3/2016 |
| TW | D175857 | 5/2016 |

* cited by examiner

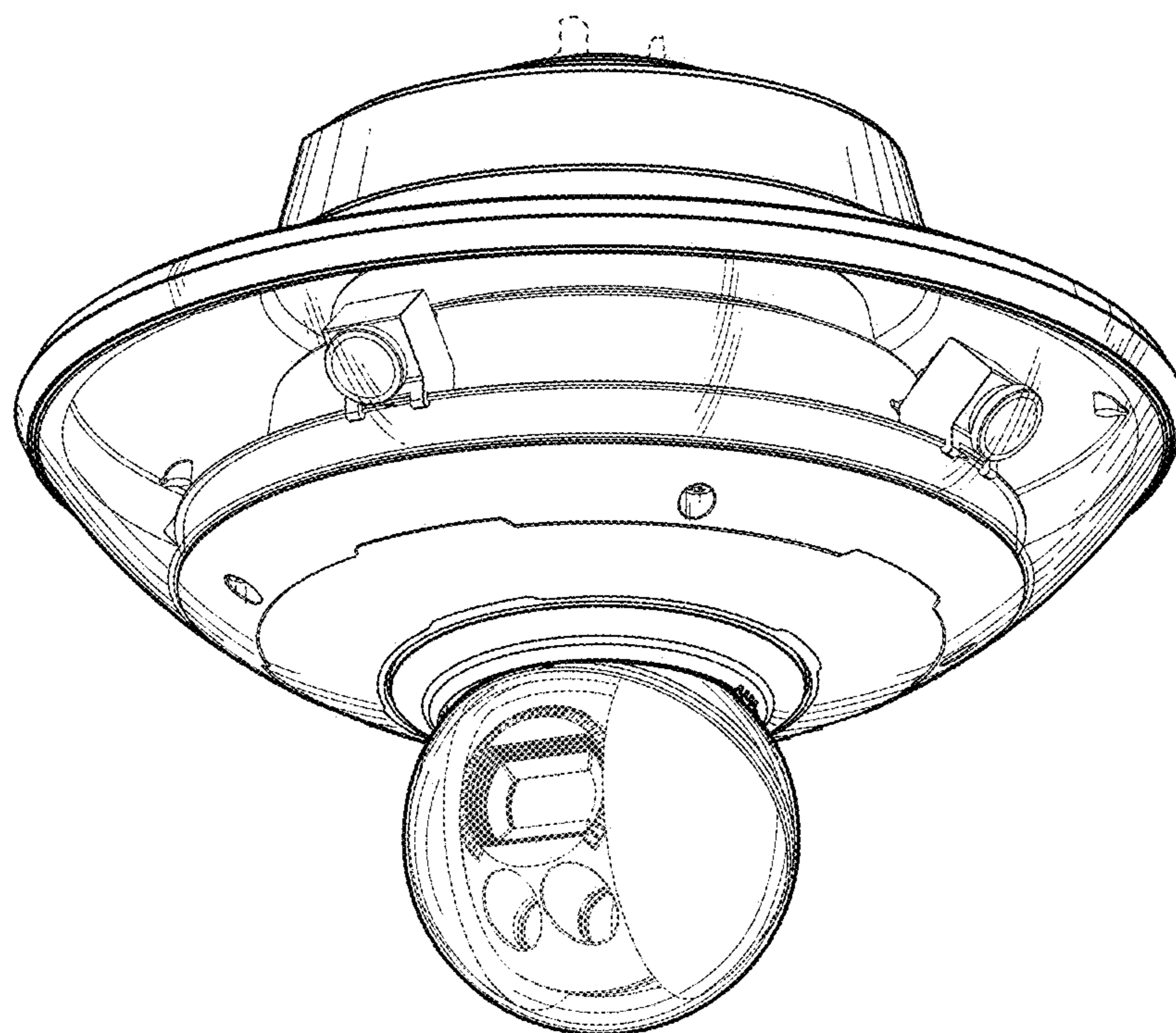


Figure 1

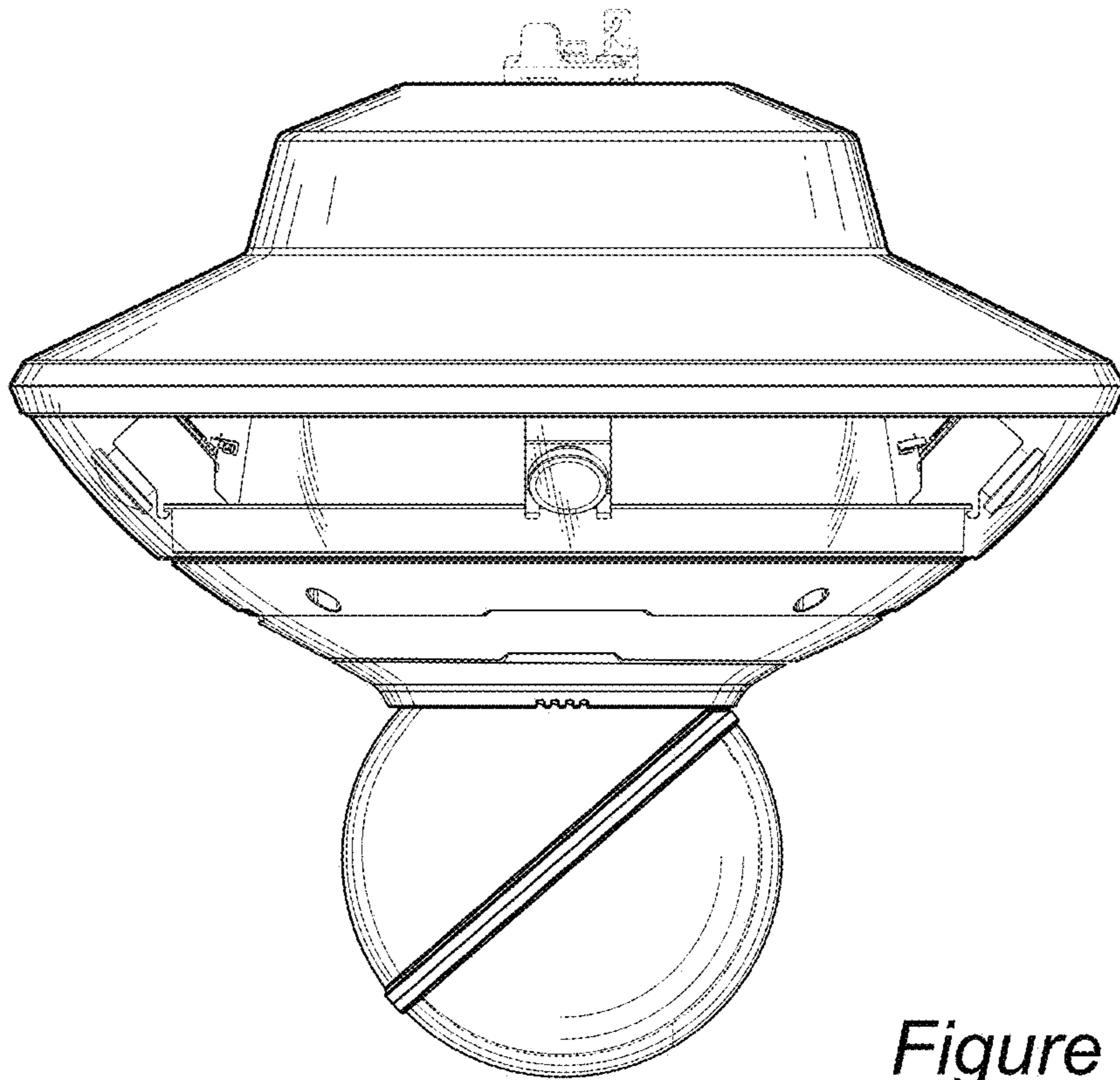


Figure 2

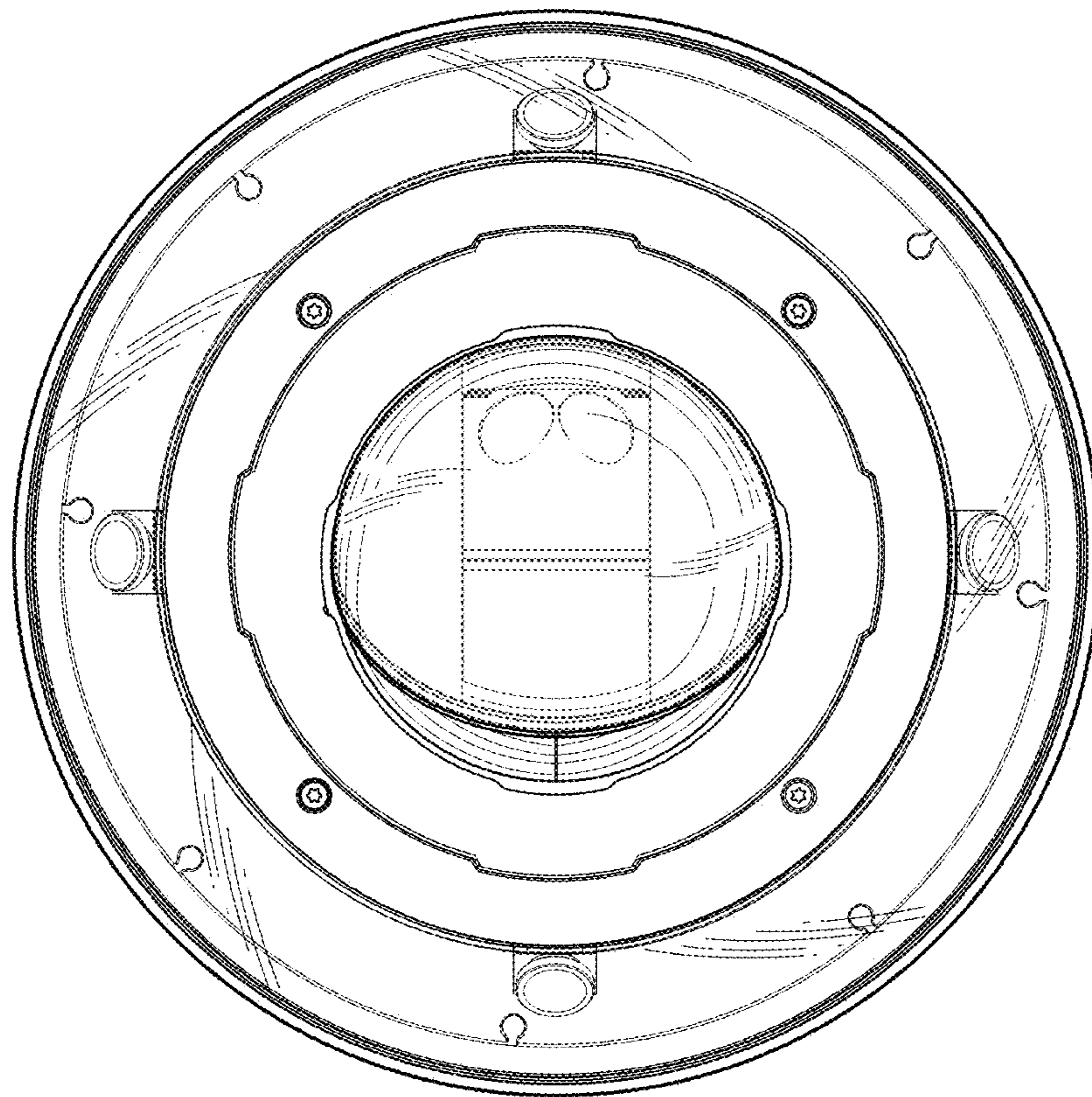


Figure 3

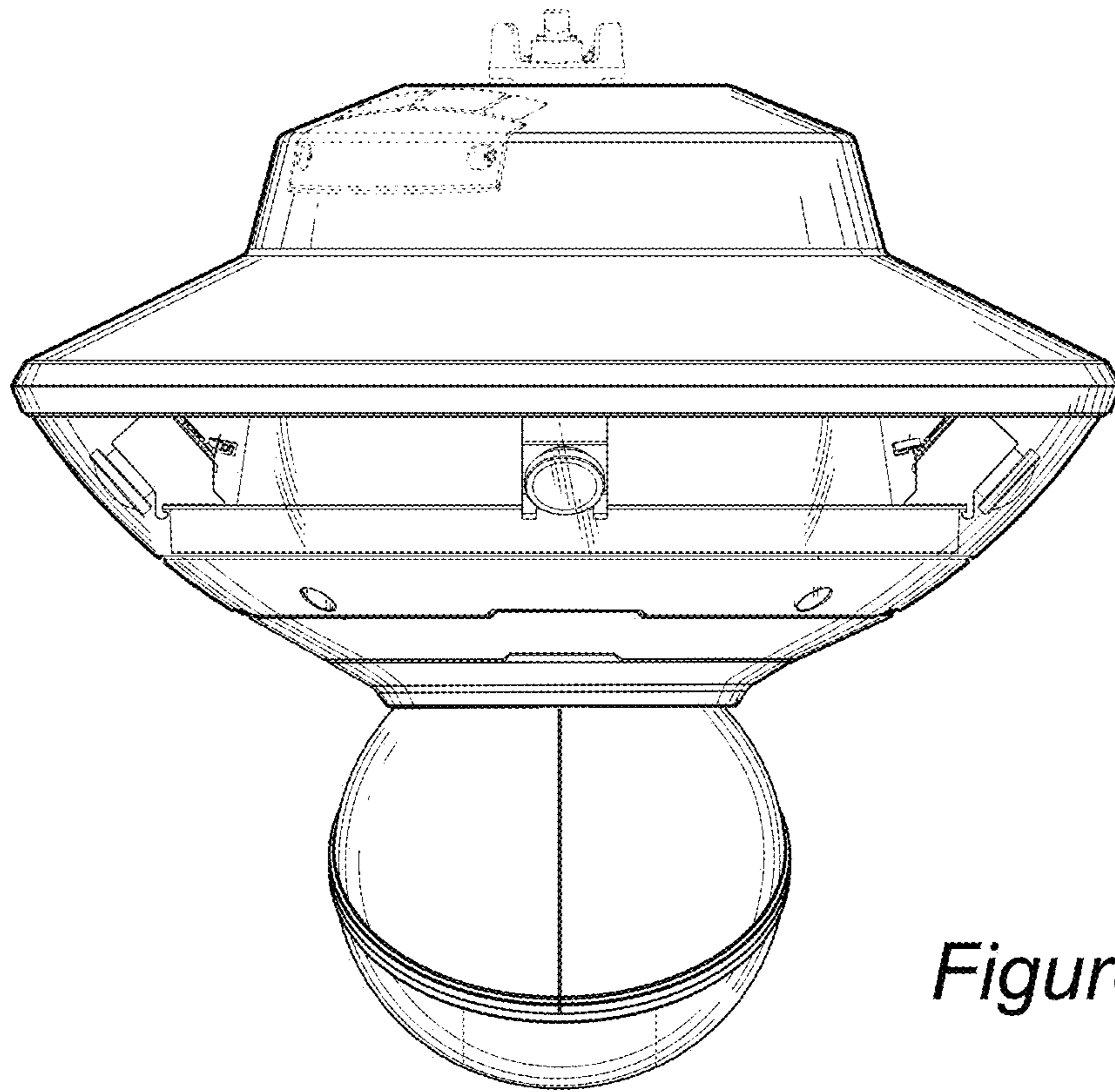


Figure 4

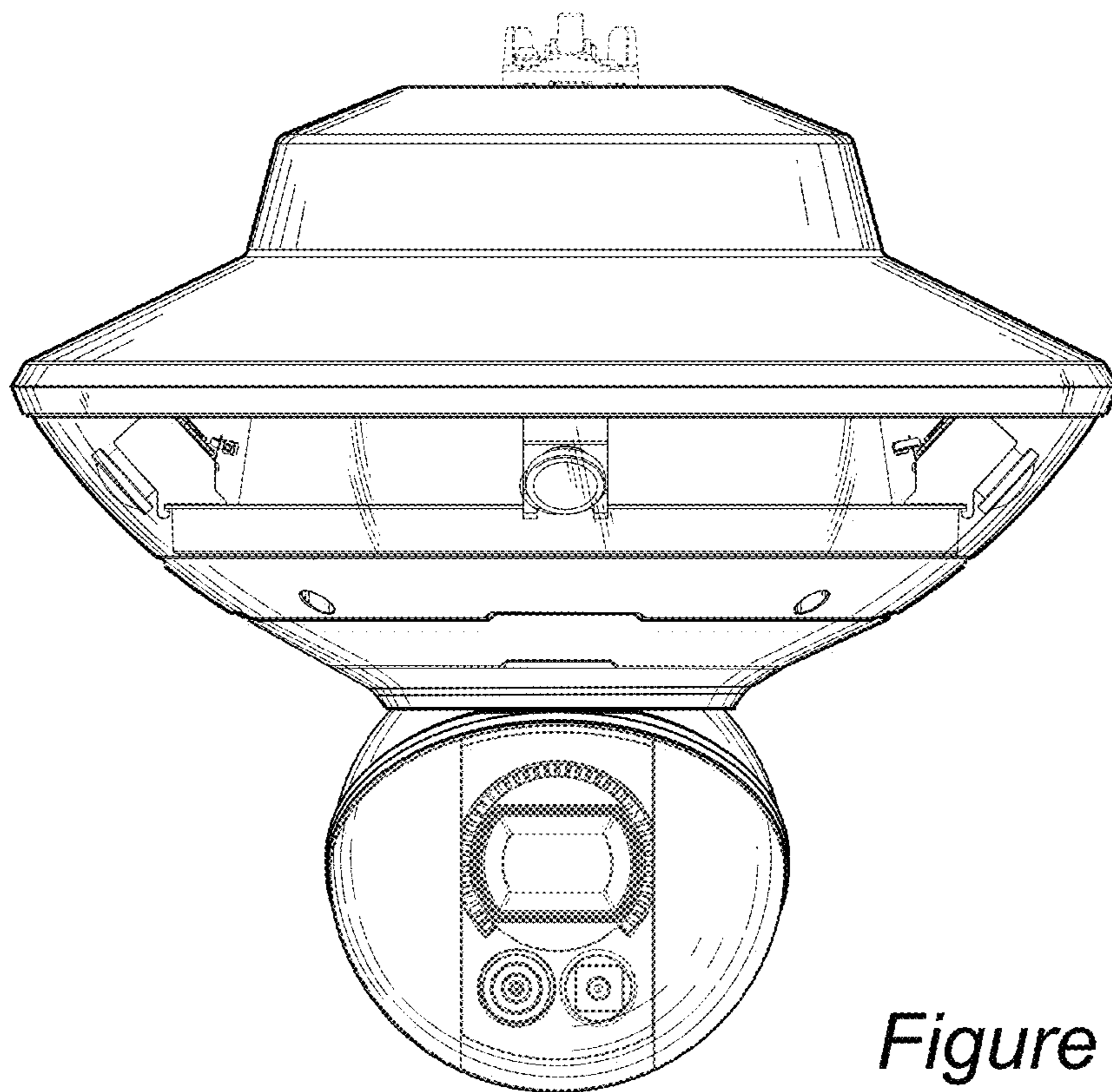


Figure 5

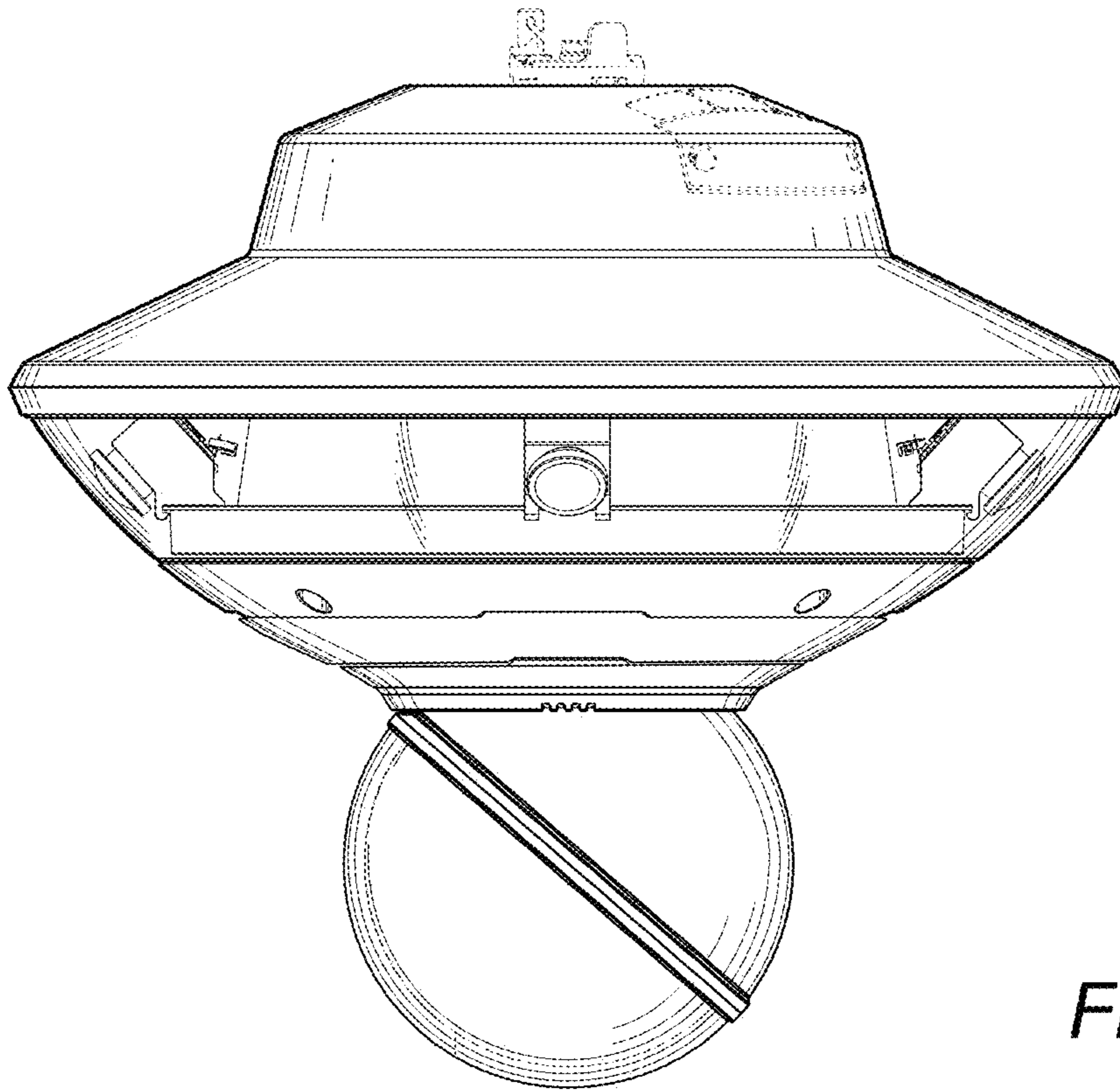


Figure 6

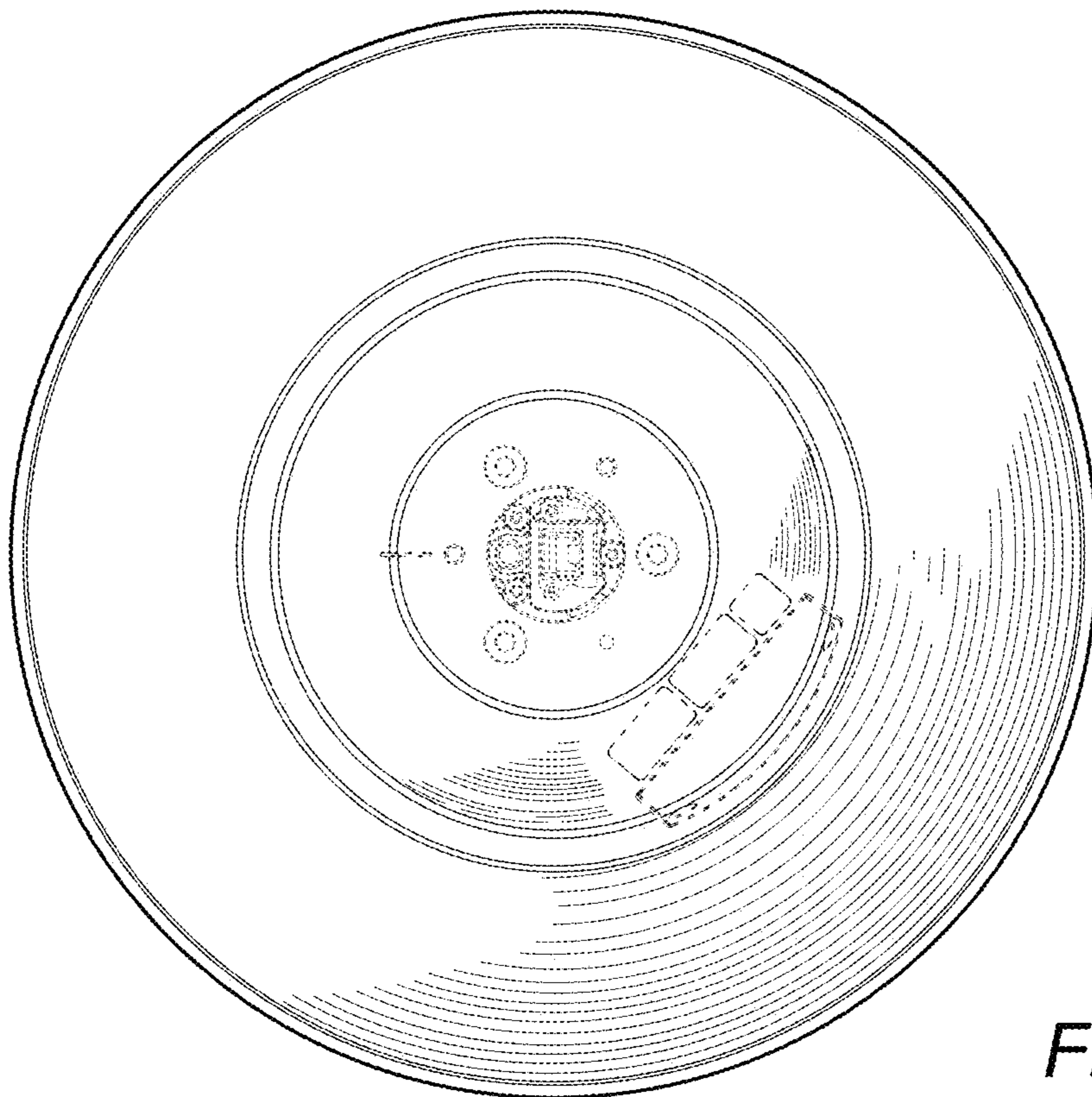


Figure 7

UNITED STATES PATENT AND TRADEMARK OFFICE
CERTIFICATE OF CORRECTION

PATENT NO. : D867,424 S
APPLICATION NO. : 29/680231
DATED : November 19, 2019
INVENTOR(S) : Helaoui et al.

Page 1 of 1

It is certified that error appears in the above-identified patent and that said Letters Patent is hereby corrected as shown below:

On the Title Page

At Inventors (72) delete "Christian Jacobsson" and insert therefor --Christian Jakobsson--.

Signed and Sealed this
Thirteenth Day of July, 2021



Drew Hirshfeld
*Performing the Functions and Duties of the
Under Secretary of Commerce for Intellectual Property and
Director of the United States Patent and Trademark Office*