



US00D867423S

(12) **United States Design Patent** (10) **Patent No.:** **US D867,423 S**
Helaoui et al. (45) **Date of Patent:** **** Nov. 19, 2019**

(54) **MONITORING CAMERA**

(56) **References Cited**

(71) Applicant: **AXIS AB**, Lund (SE)

U.S. PATENT DOCUMENTS

(72) Inventors: **Samir Helaoui**, Malmö (SE); **Johan Bergsten**, Landskrona (SE); **Mikael Persson**, Malmö (SE); **Jens Pahlitzsch**, Lund (SE); **Rafael Portela**, Malmö (SE); **Daniel Ahman**, Lomma (SE); **Morten Bergstrom**, Lund (SE); **Henrik Svedberg**, Loddekopinge (SE); **Christian Jacobsson**, Lund (SE); **Niclas Lewin**, Lund (SE)

D416,273 S 11/1999 Yamakawa et al.
D425,535 S 5/2000 Mutoh et al.
D426,250 S 6/2000 Lefkowitz
(Continued)

FOREIGN PATENT DOCUMENTS

CN 300769923 4/2008
CN 302327164 2/2013
(Continued)

(73) Assignee: **AXIS AB**, Lund (SE)

OTHER PUBLICATIONS

(**) Term: **15 Years**

AXIS Q6032-E PTZ Dome Network Camera, Advanced, outdoor-ready PTZ dome for demanding surveillance, AXIS Communications, 2 pages, 2013 Axis Communications AB, www.axis.com.

(21) Appl. No.: **29/680,227**

(22) Filed: **Feb. 14, 2019**

Primary Examiner — Ramzi S Almatrahi

Related U.S. Application Data

(74) *Attorney, Agent, or Firm* — Volpe and Koenig, P.C.

(62) Division of application No. 29/619,931, filed on Oct. 3, 2017.

Foreign Application Priority Data

(57) **CLAIM**

Apr. 5, 2017 (EM) 003841972-0001
Apr. 5, 2017 (EM) 003841972-0002
Apr. 5, 2017 (EM) 003841972-0003

The ornamental design for a monitoring camera, as shown and described.

(51) **LOC (12) Cl.** **16-01**

DESCRIPTION

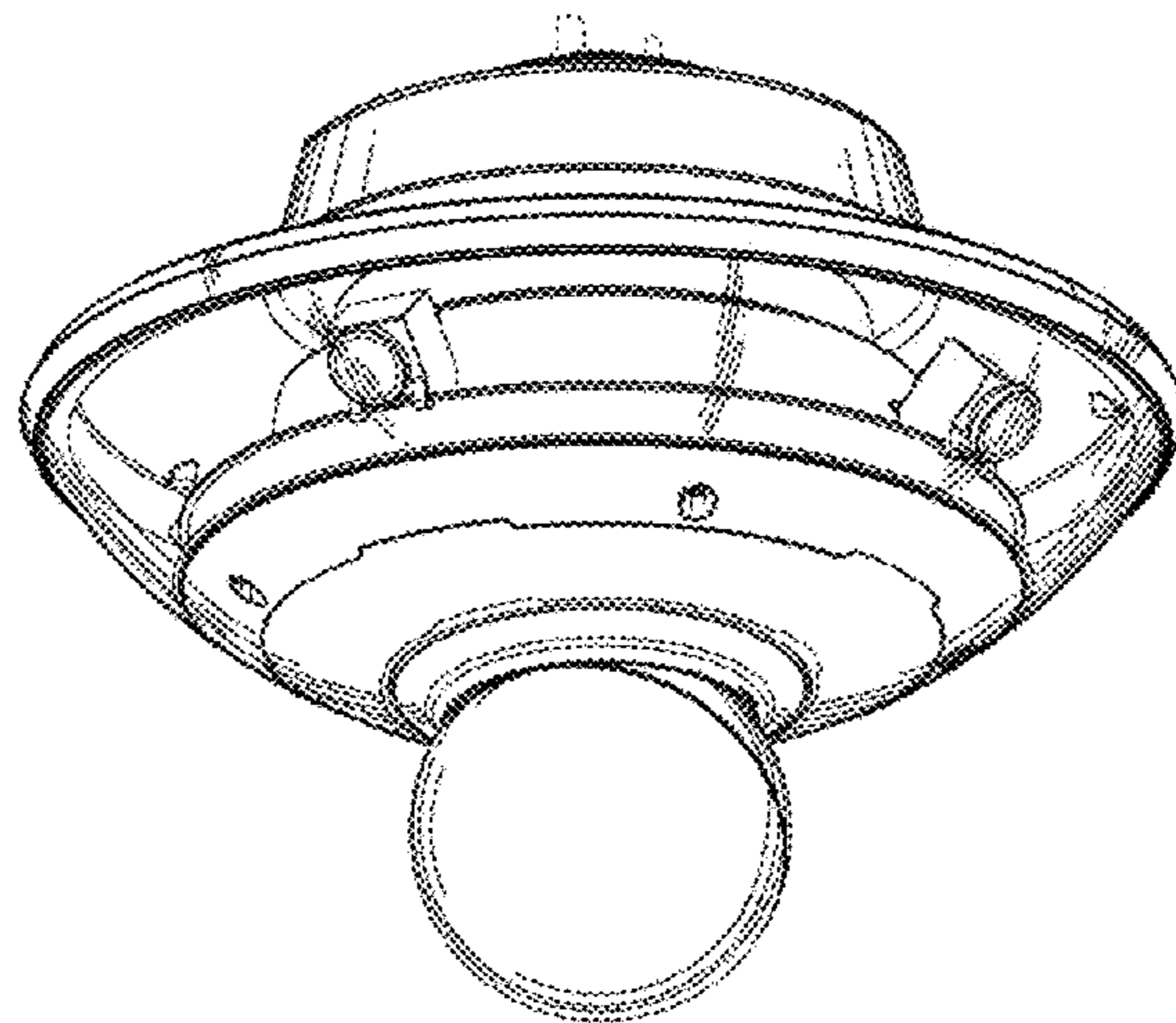
(52) **U.S. Cl.**
USPC **D16/203**

(58) **Field of Classification Search**
USPC D16/200, 202–206, 218, 219, 242;
348/143, 148, 151, 373–376; 396/419,
396/427, 535, 539–541
CPC G03B 17/02; G03B 19/04; G03B 17/56;
G03B 17/04; G03B 15/03; H04N 5/2251;
H04N 5/2252; H04N 5/2253; H04N
5/2254; H04N 7/181; H04N 7/183; H04N
7/18;

FIG. 1 is a perspective view of a monitoring camera showing our new design;
FIG. 2 is a left side elevational view thereof;
FIG. 3 is a bottom plan view thereof;
FIG. 4 is a rear elevational view thereof;
FIG. 5 is a front elevational view thereof;
FIG. 6 is a right side elevational view thereof; and,
FIG. 7 is a top plan view thereof.
The broken lines shown in the drawings depict portions of the monitoring camera that form no part of the claimed design.

(Continued)

1 Claim, 4 Drawing Sheets



(58) **Field of Classification Search**
 CPC G08B 13/1963; G08B 13/19619; G08B
 13/19632; F16M 11/04; F16M 13/00
 See application file for complete search history.

D798,933 S * 10/2017 Little D16/203
 D816,755 S 5/2018 Bamekow et al.
 D820,895 S * 6/2018 Bergstrom D16/203
 D824,985 S * 8/2018 Teachworth D16/203
 D831,724 S * 10/2018 Bergstrom D16/203
 D841,716 S * 2/2019 Teachworth D16/203

(56) **References Cited**

U.S. PATENT DOCUMENTS

D467,676 S 12/2002 Packer et al.
 D468,654 S 1/2003 Wunsch
 D499,126 S 11/2004 Kato et al.
 D552,501 S 10/2007 Lin et al.
 D552,651 S 10/2007 Arbuckle
 D556,236 S 11/2007 Kim
 D575,810 S 8/2008 Alm
 D600,152 S 9/2009 Stack et al.
 7,614,804 B2 11/2009 Kim
 D606,105 S 12/2009 Hinkel
 D615,114 S 5/2010 Arnold et al.
 D628,225 S 11/2010 Deurwaarder
 D633,120 S 2/2011 Ham
 D636,805 S 4/2011 Anneback et al.
 D639,842 S 6/2011 Zeinoun et al.
 8,066,438 B2 11/2011 Takahashi
 D655,328 S 3/2012 Anneback et al.
 D688,720 S 8/2013 Yilin
 D694,798 S 12/2013 Deurwaarder
 8,790,024 B2 7/2014 Andersson
 D721,755 S 1/2015 Ahman et al.
 D740,874 S 10/2015 Ahman et al.
 D753,752 S 4/2016 Ahman et al.
 D777,819 S 1/2017 Bergstrom et al.
 D782,557 S 3/2017 Ahman et al.
 D786,330 S * 5/2017 Tasselli D16/203
 D796,567 S * 9/2017 Bingleman D16/203
 D796,568 S 9/2017 Bingleman et al.

FOREIGN PATENT DOCUMENTS

CN 302351286 3/2013
 CN 302361955 3/2013
 CN 302849987 6/2014
 CN 302857494 6/2014
 CN 302889188 7/2014
 CN 3028655457 7/2014
 EM 00241513 2/2014
 EM 002503334 7/2014
 EM 002941013-0001 1/2016
 EM 003003789-0001 2/2016
 EM 003003789-0002 2/2016
 EM 003305630 7/2016
 EM 003379932-0001 9/2016
 EM 003379932-0002 9/2016
 EM 003379932-0003 9/2016
 EM 003305630_0001 11/2016
 EM 003305630-0002 11/2016
 JP 1479225 8/2013
 JP 1479226 8/2013
 JP 1525303 5/2015
 JP 1525304 5/2015
 JP 1538589 10/2015
 JP 1538812 10/2015
 JP 1544095 1/2016
 JP 1545203 2/2016
 TW D174145 3/2016
 TW D175857 5/2016

* cited by examiner

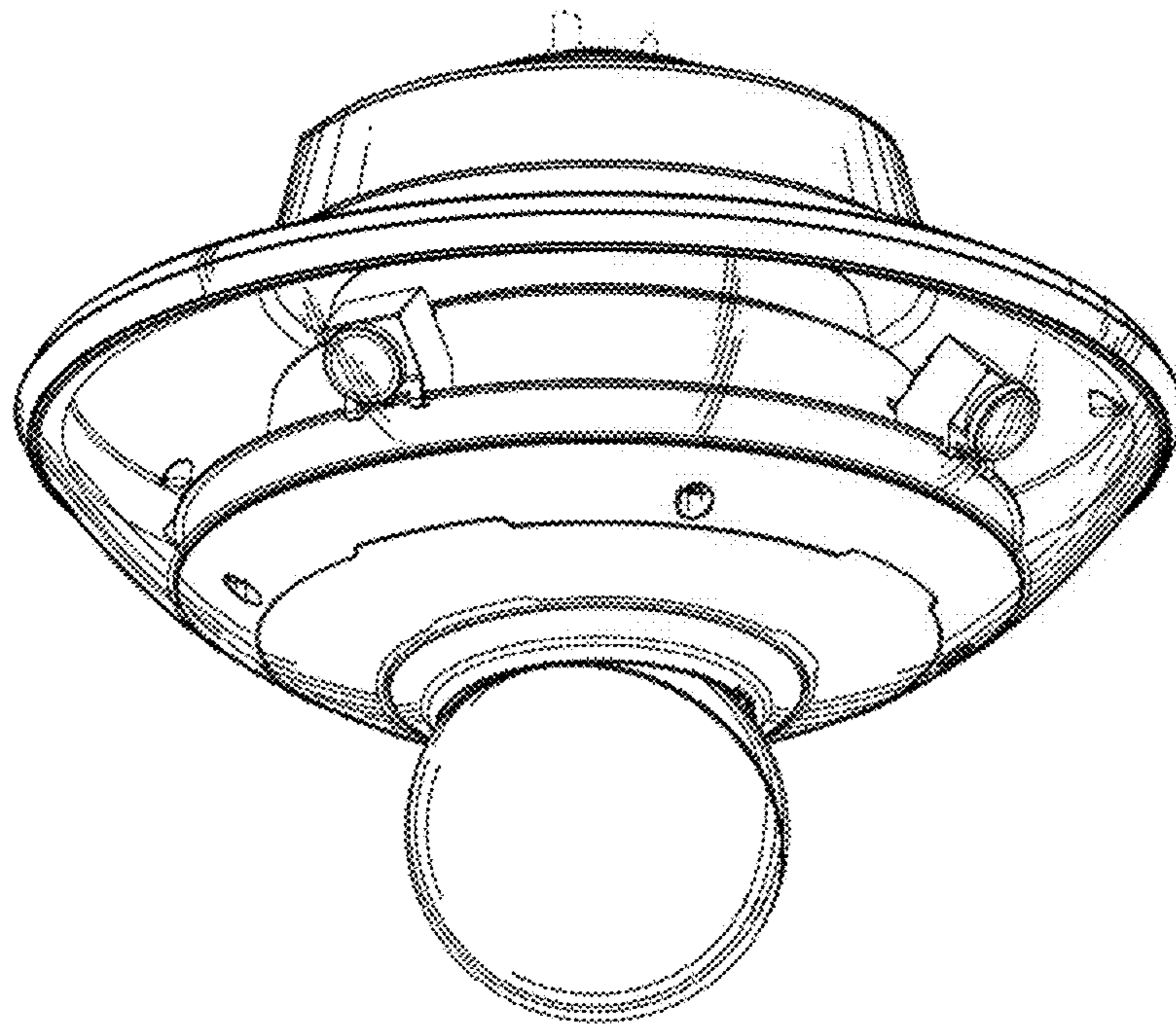


Figure 1

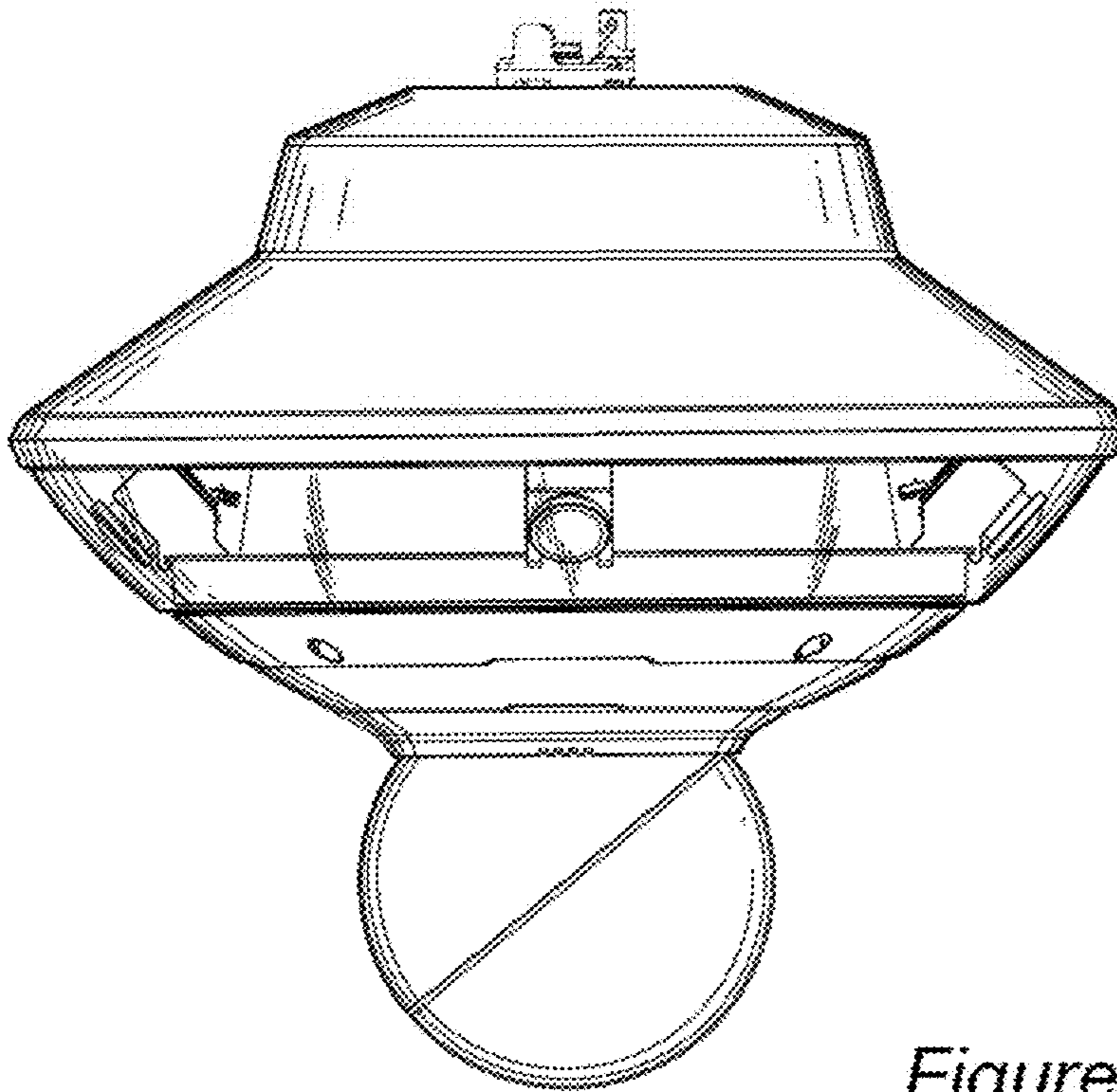


Figure 2

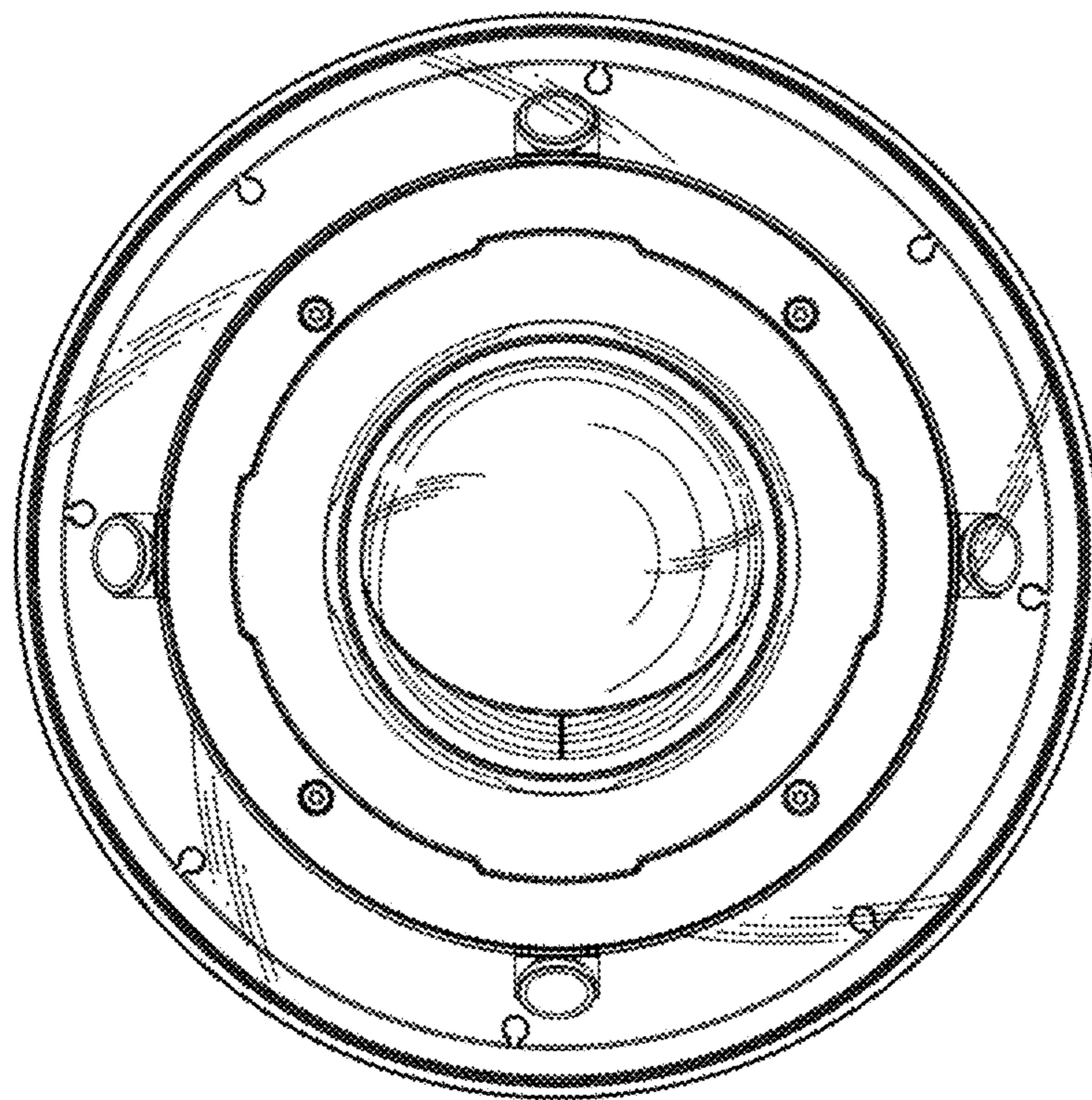


Figure 3

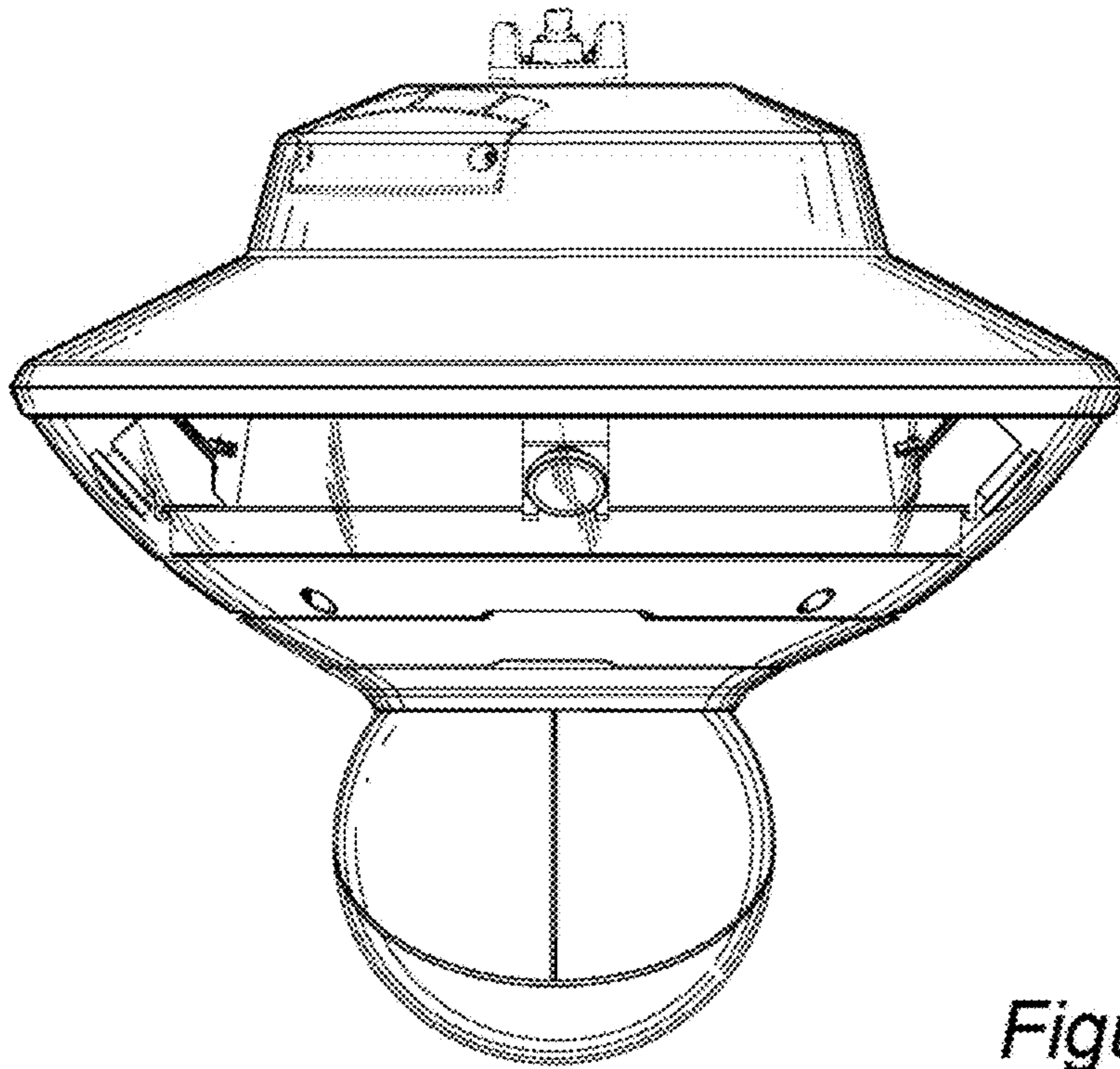


Figure 4

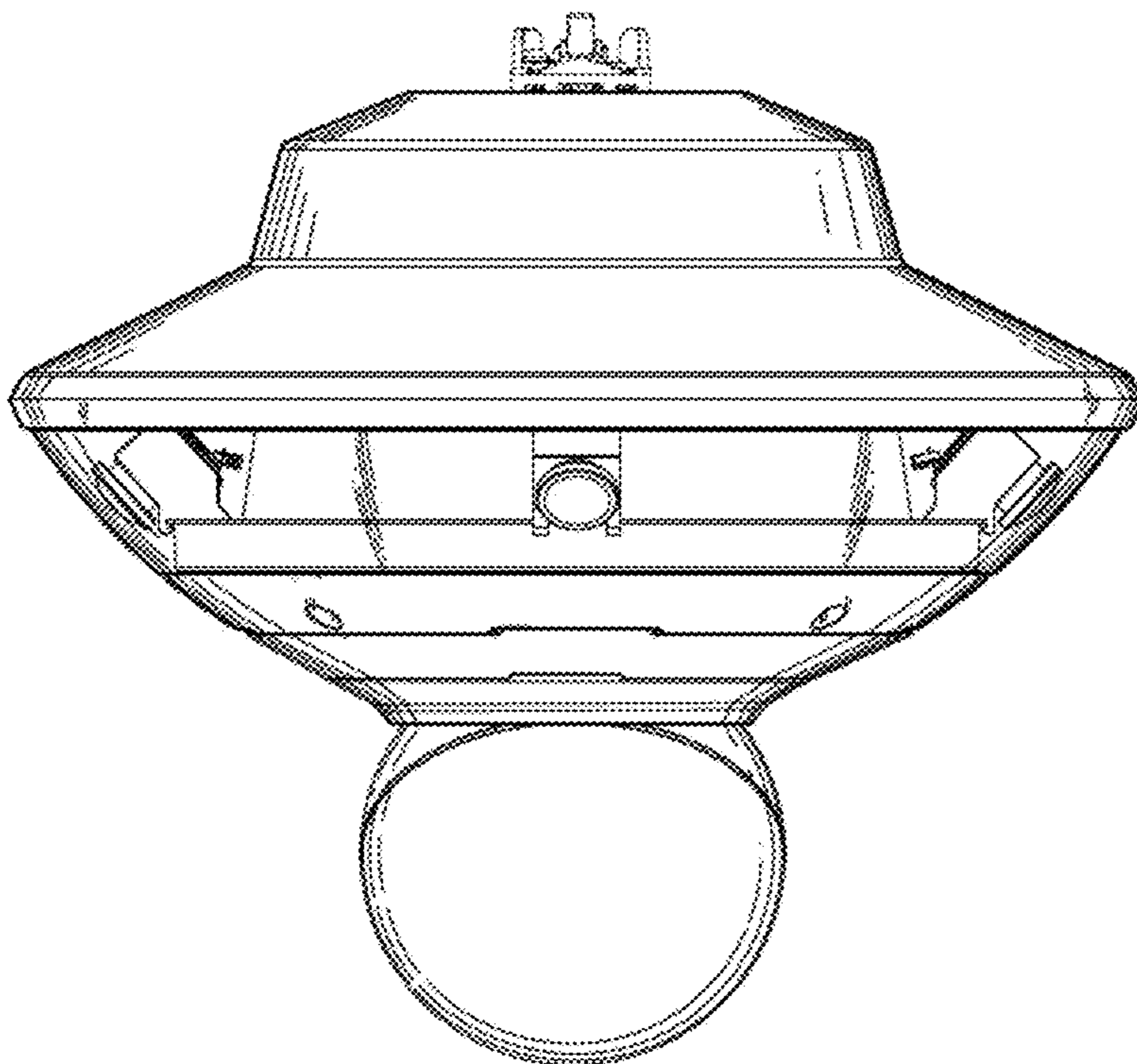


Figure 5

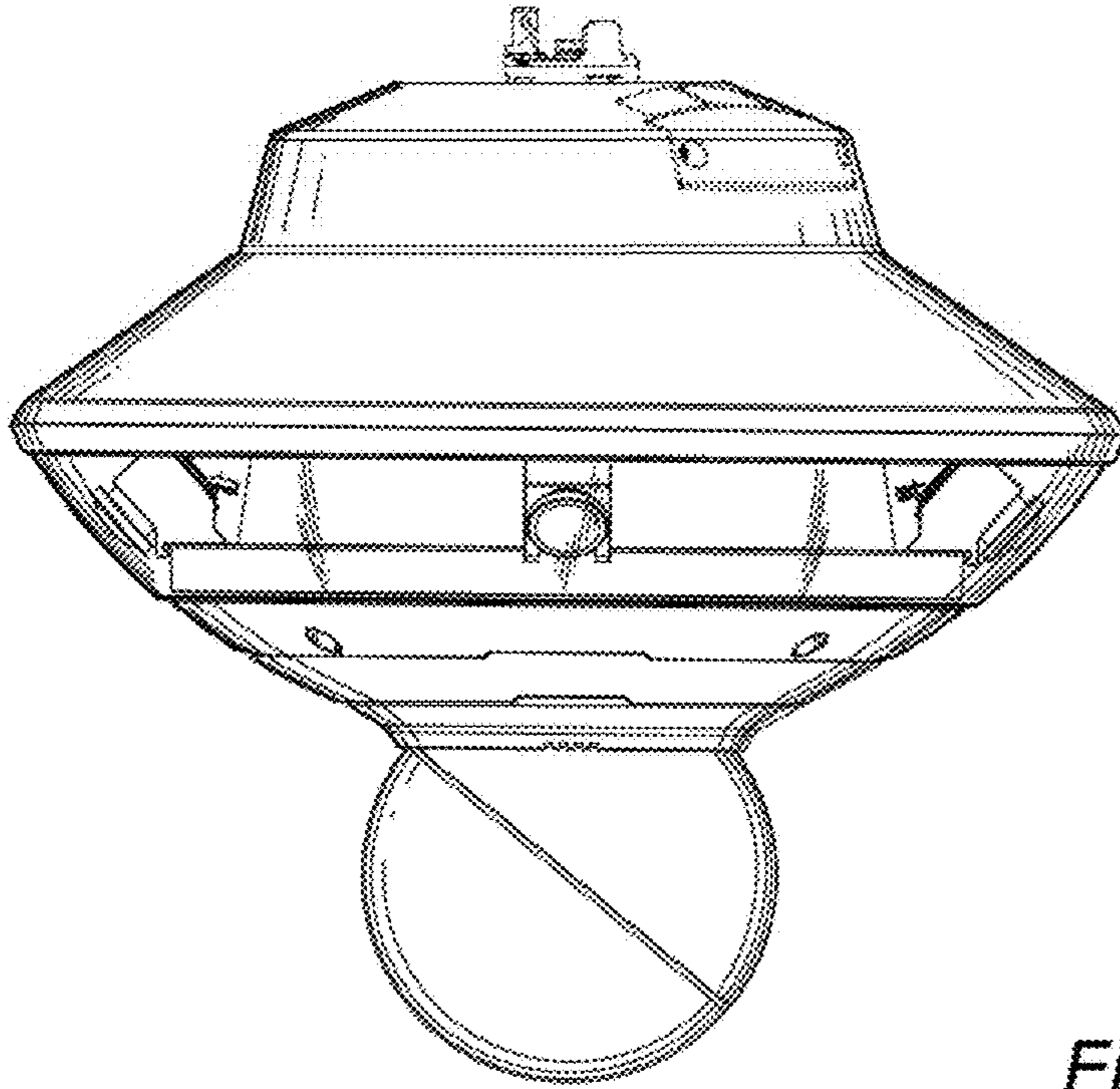


Figure 6

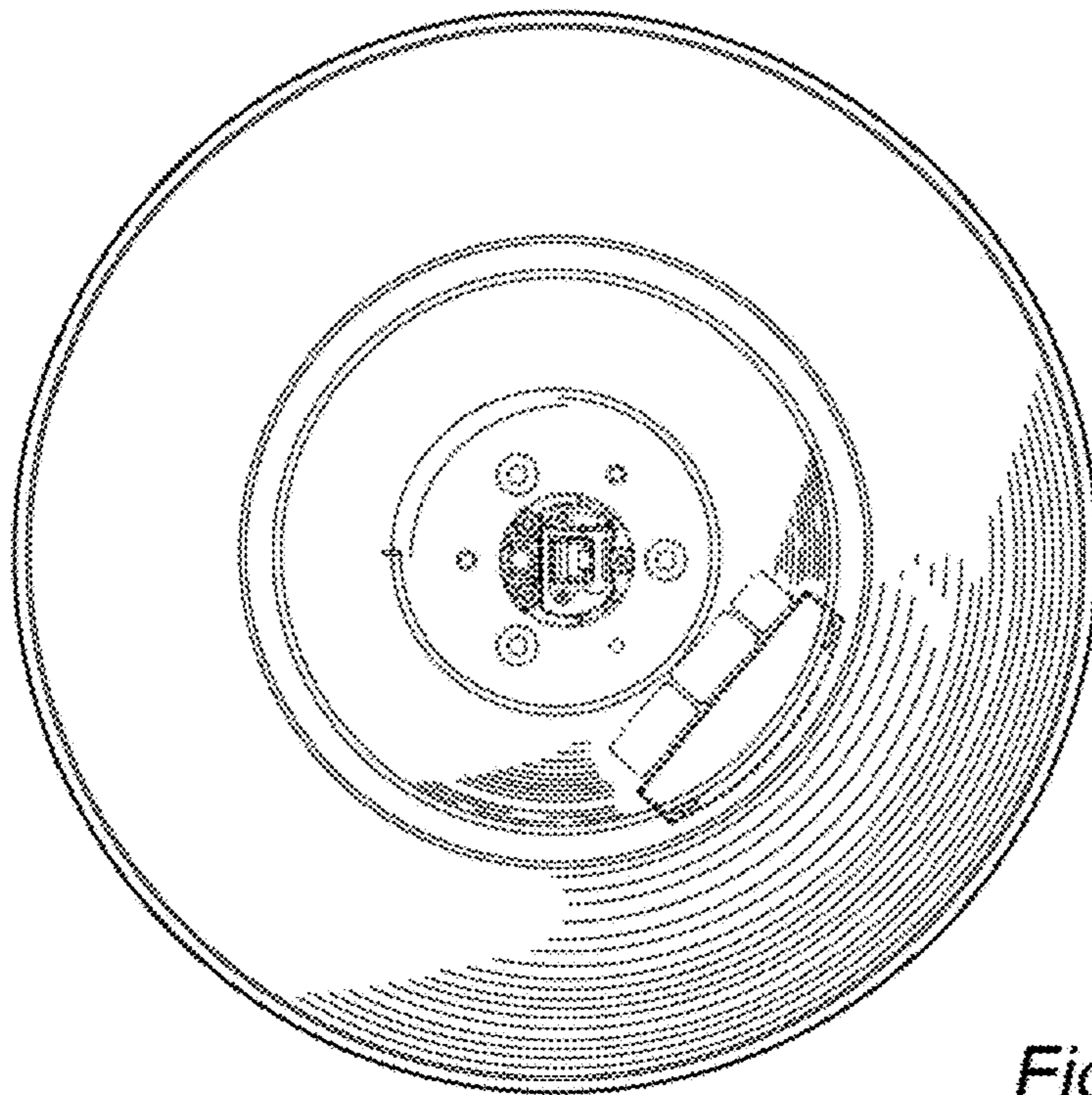


Figure 7

UNITED STATES PATENT AND TRADEMARK OFFICE
CERTIFICATE OF CORRECTION

PATENT NO. : D867,423 S
APPLICATION NO. : 29/680227
DATED : November 19, 2019
INVENTOR(S) : Helaoui et al.

Page 1 of 1

It is certified that error appears in the above-identified patent and that said Letters Patent is hereby corrected as shown below:

On the Title Page

At Inventors (72) delete "Christian Jacobsson" and insert therefor --Christian Jakobsson--.

Signed and Sealed this
Thirteenth Day of July, 2021



Drew Hirshfeld
*Performing the Functions and Duties of the
Under Secretary of Commerce for Intellectual Property and
Director of the United States Patent and Trademark Office*