



US00D867421S

(12) **United States Design Patent**
Morishita

(10) **Patent No.:** **US D867,421 S**

(45) **Date of Patent:** **** Nov. 19, 2019**

(54) **TELEVISION CAMERA**

(71) Applicant: **Panasonic Intellectual Property Management Co., Ltd., Osaka (JP)**

(72) Inventor: **Yoshihito Morishita, Tokyo (JP)**

(73) Assignee: **Panasonic Intellectual Property Management Co., Ltd., Osaka (JP)**

(**) Term: **15 Years**

(21) Appl. No.: **29/654,413**

(22) Filed: **Jun. 24, 2018**

(30) **Foreign Application Priority Data**

Feb. 22, 2018 (JP) 2018-003607

(51) **LOC (12) Cl.** **16-01**

(52) **U.S. Cl.**
USPC **D16/202; D16/203**

(58) **Field of Classification Search**
USPC D16/200-220, 131, 237, 242, 239, 250,
D16/235, 130, 134, 136, 238;
D14/138 C, 240, 248, 203.1, 203.3, 203.7,
D14/218, 207; D10/104.1, 50, 65, 74,
D10/70, 118.2, 106.6, 106.8; D6/542,
D6/545

CPC . G02B 7/02; G02B 7/021; G02B 7/04; G02B
7/14; G02B 7/003; G03B 17/00; G03B
17/02; G03B 17/56; G03B 17/04; G03B
17/14; G03B 17/08; G03B 15/03; G03B
15/06; H04N 5/2251; H04N 5/2252;
H04N 5/2253; H04N 5/2254; H04N 7/00;
H04N 2101/00; F16M 13/00
See application file for complete search history.

(56) **References Cited**

U.S. PATENT DOCUMENTS

D417,300 S 11/1999 Stacy et al.
D458,289 S * 6/2002 Ogura D16/202
D474,489 S 5/2003 Kawashima

D478,108 S * 8/2003 Miyazaki D16/202
D500,511 S * 1/2005 Sybilrud D16/203
D510,374 S * 10/2005 Greenwood D16/203
D517,585 S * 3/2006 Iino D16/203

(Continued)

FOREIGN PATENT DOCUMENTS

CN 300745120 * 2/2008
CN 303190848 * 4/2015

(Continued)

OTHER PUBLICATIONS

AW-UE150, published Jun. 6, 2018 [online], [retrieved Sep. 5, 2019], Available from Internet, URL: https://www.videomaker.com/videonews/2018/06/panasonic-previews-the-aw-ue150-a-4kuhd-remote-camera-with-a-wide-viewing-angle.*

Primary Examiner — T Chase Nelson
Assistant Examiner — Mary Claire Ramirez
(74) *Attorney, Agent, or Firm* — Panasonic IP Management; Kerry S. Culpepper

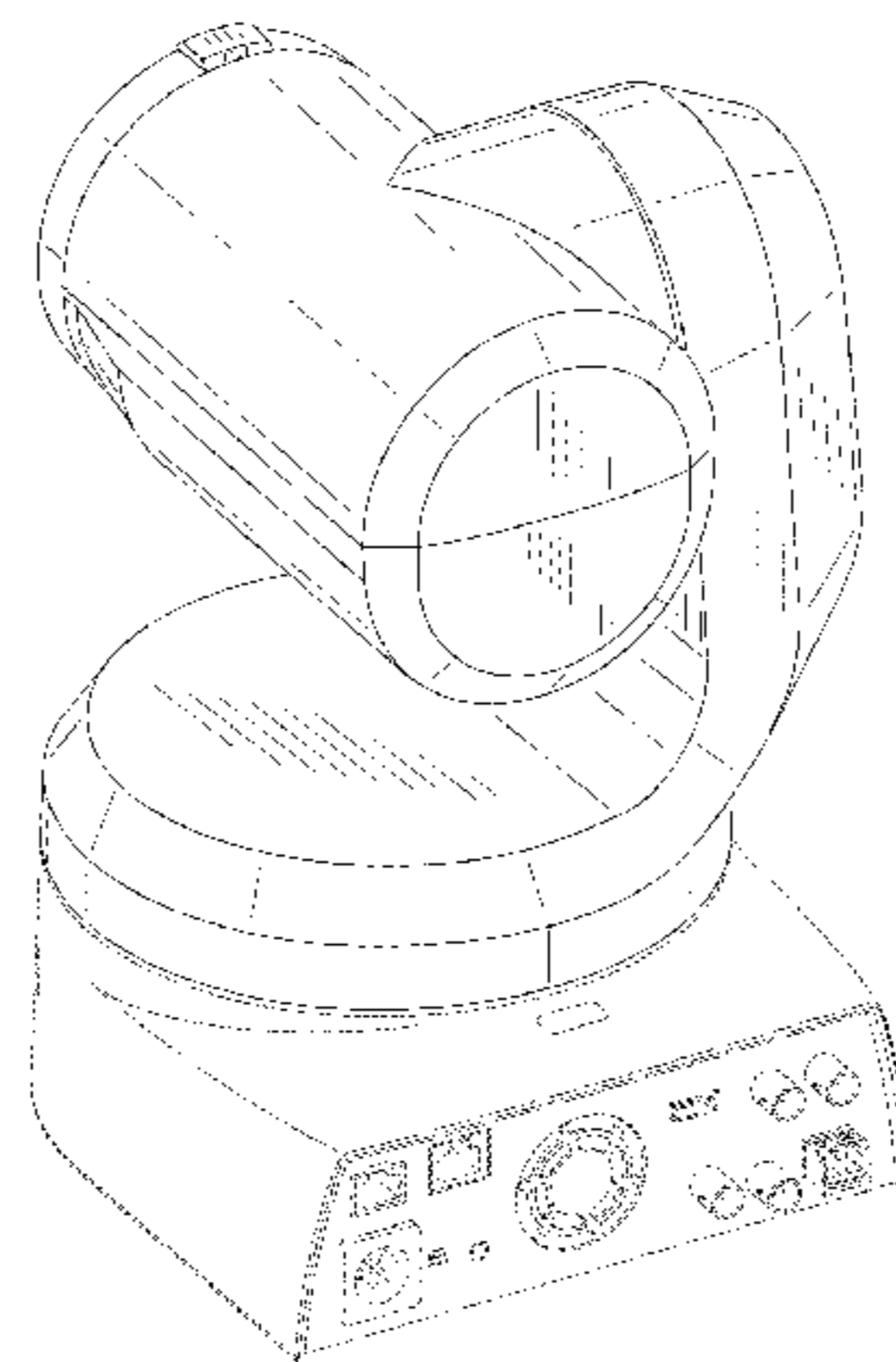
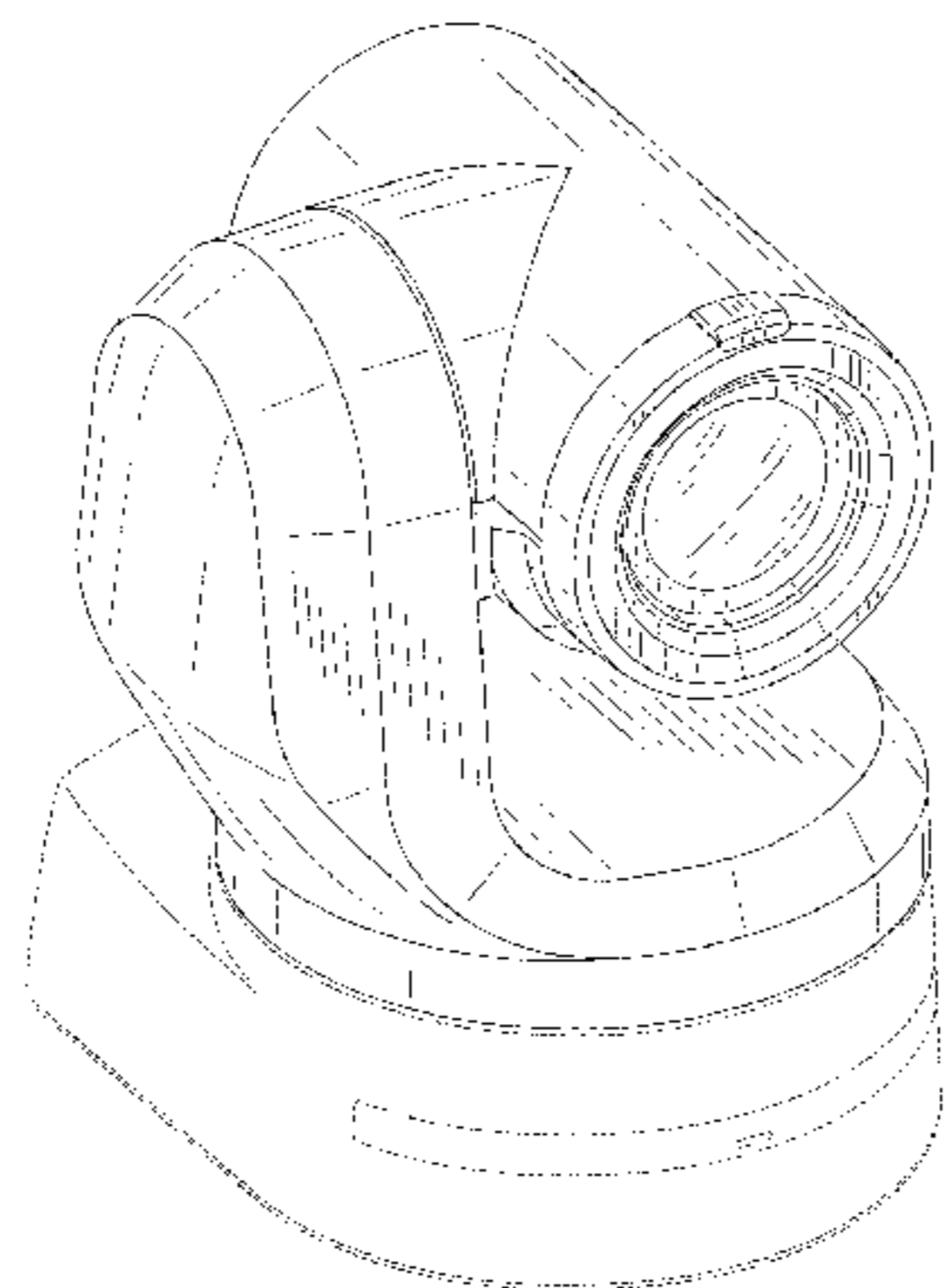
(57) **CLAIM**

I claim the ornamental design for a television camera, as shown and described.

DESCRIPTION

FIG. 1 is a front perspective view of a television camera of the present invention;
FIG. 2 is a rear perspective view thereof;
FIG. 3 is a front view thereof;
FIG. 4 is a rear view thereof;
FIG. 5 is a first side view thereof;
FIG. 6 is a second side view thereof;
FIG. 7 is a top view thereof; and,
FIG. 8 is a bottom view thereof.
The broken lines shown in the drawings depict portions of the television camera that form no part of the claimed design.

1 Claim, 8 Drawing Sheets



(56)

References Cited

U.S. PATENT DOCUMENTS

D536,719	S	*	2/2007	Lukic	D16/202
D541,326	S		4/2007	Ford et al.	
D562,372	S	*	2/2008	Takahashi	D16/202
D571,839	S	*	6/2008	Andresen	D16/202
D594,497	S		6/2009	Hatori et al.	
D616,007	S	*	5/2010	Teppan	D16/203
D627,811	S	*	11/2010	Andresen	D16/202
D636,421	S	*	4/2011	Sagen	D16/202
D645,891	S	*	9/2011	Kim	D16/202
D656,531	S	*	3/2012	Ahn	D16/202
D658,221	S	*	4/2012	Bailey	D16/202
D660,339	S	*	5/2012	Yoshida	D16/202
D849,079	S	*	5/2019	Pickett	D16/202
D854,069	S	*	7/2019	Wang	D16/202
D855,584	S	*	8/2019	Laine	D14/216
2006/0082655	A1	*	4/2006	Vanderwilt	F16M 11/10 348/207.99

FOREIGN PATENT DOCUMENTS

CN	303596520	*	2/2016
CN	303775671	*	8/2016
CN	304665344	*	6/2018
CN	304695251	*	6/2018
EM	002656629-0001	*	4/2015

* cited by examiner

FIG. 1

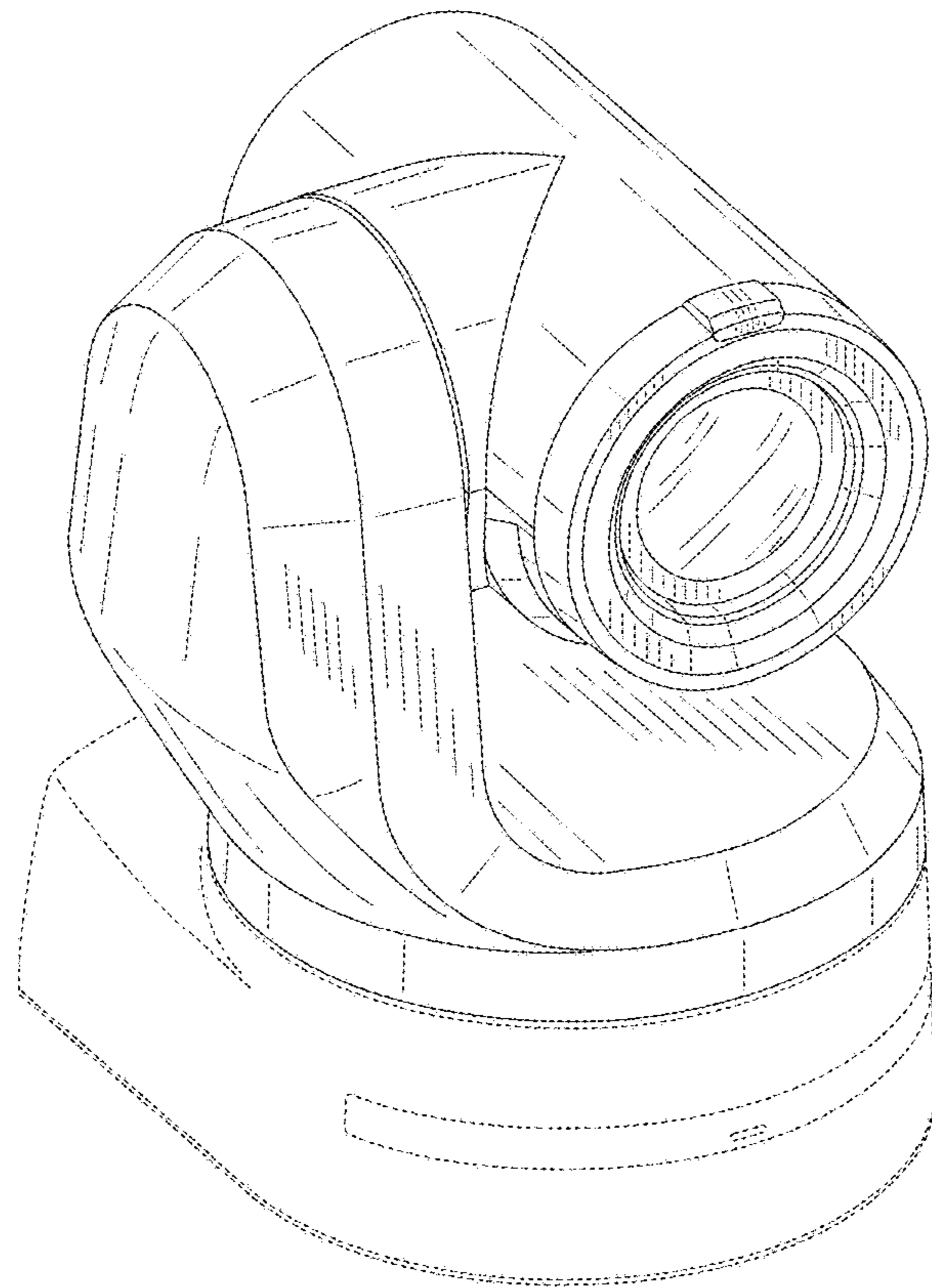


FIG. 2

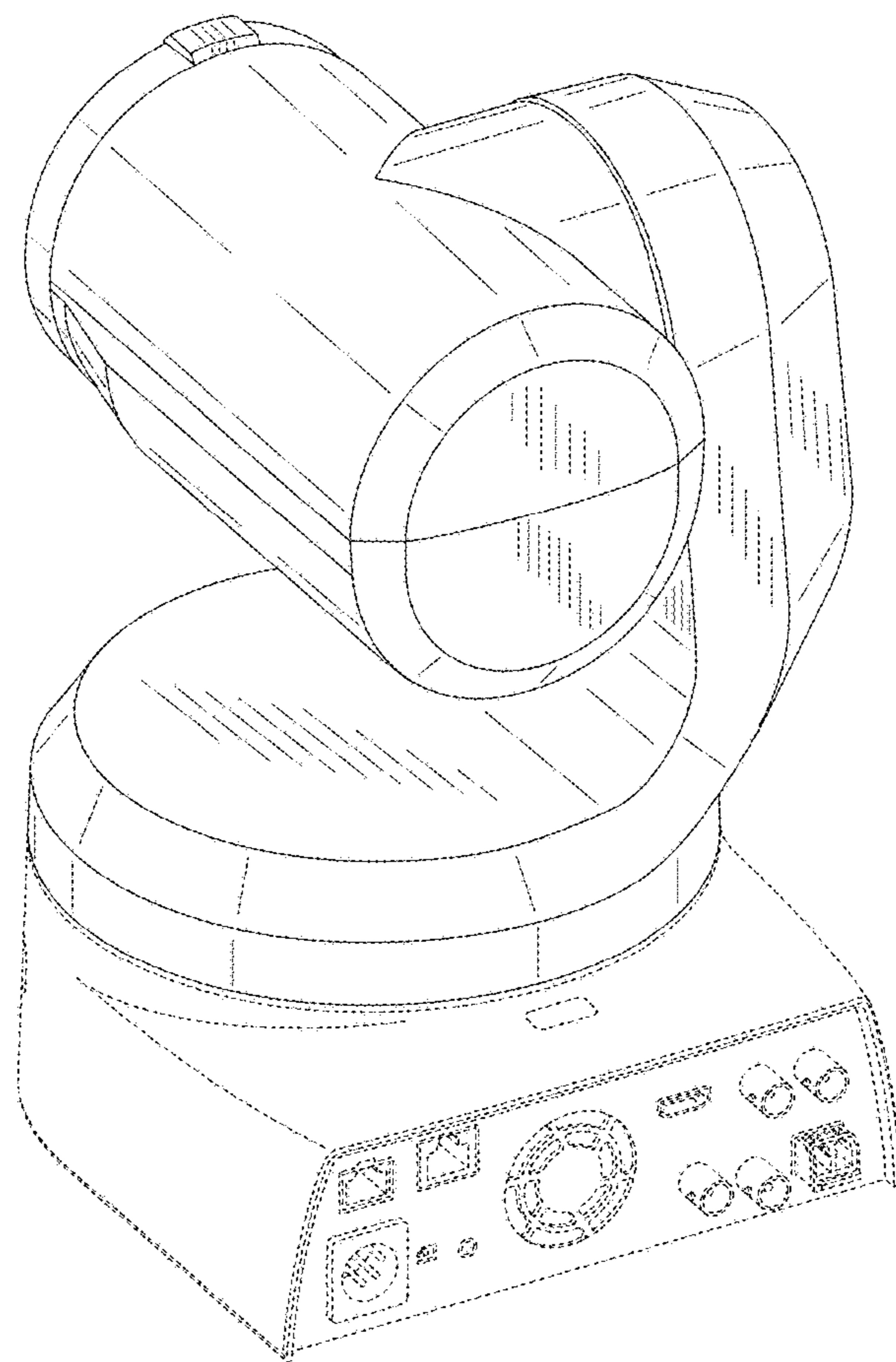


FIG. 3

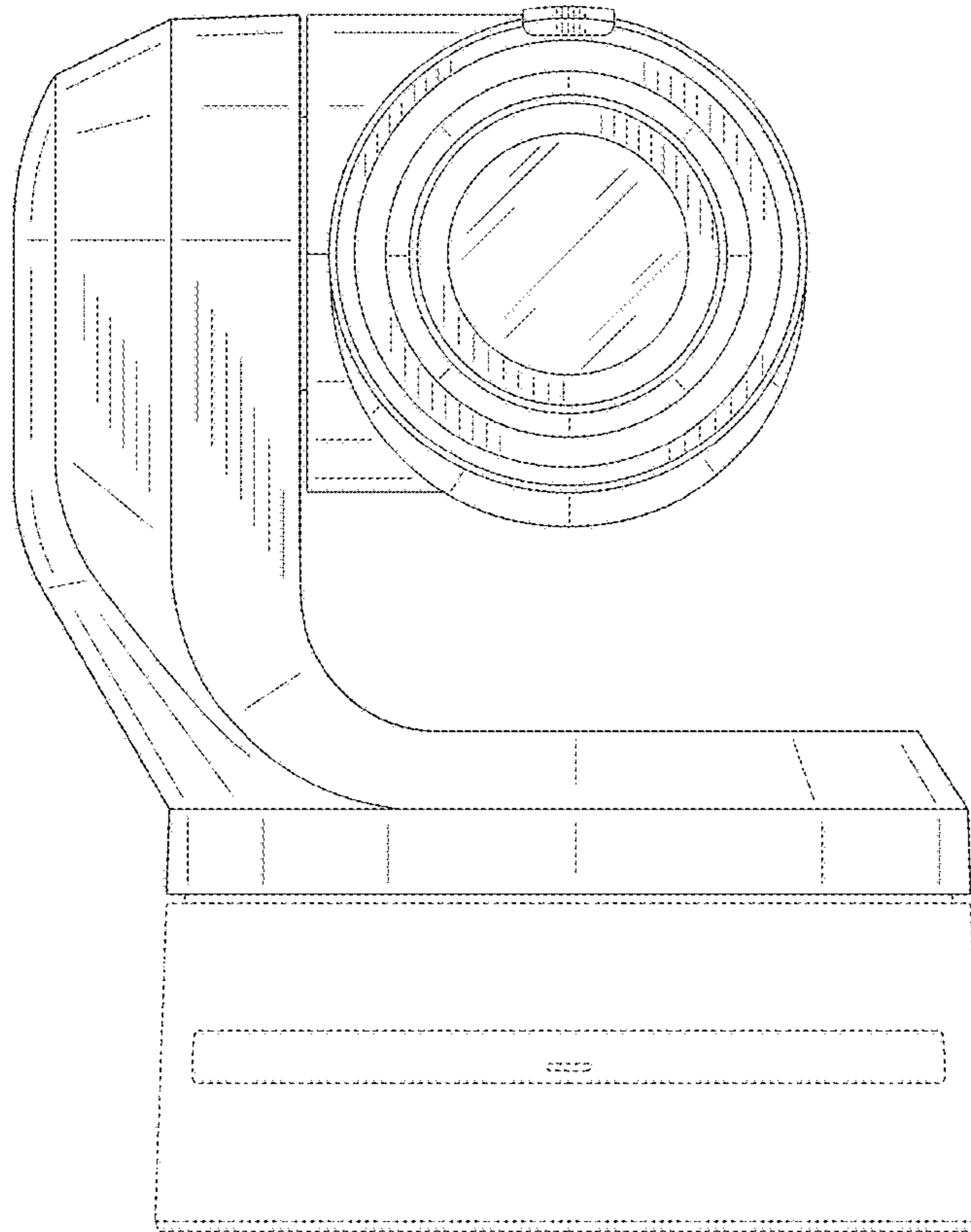


FIG. 4

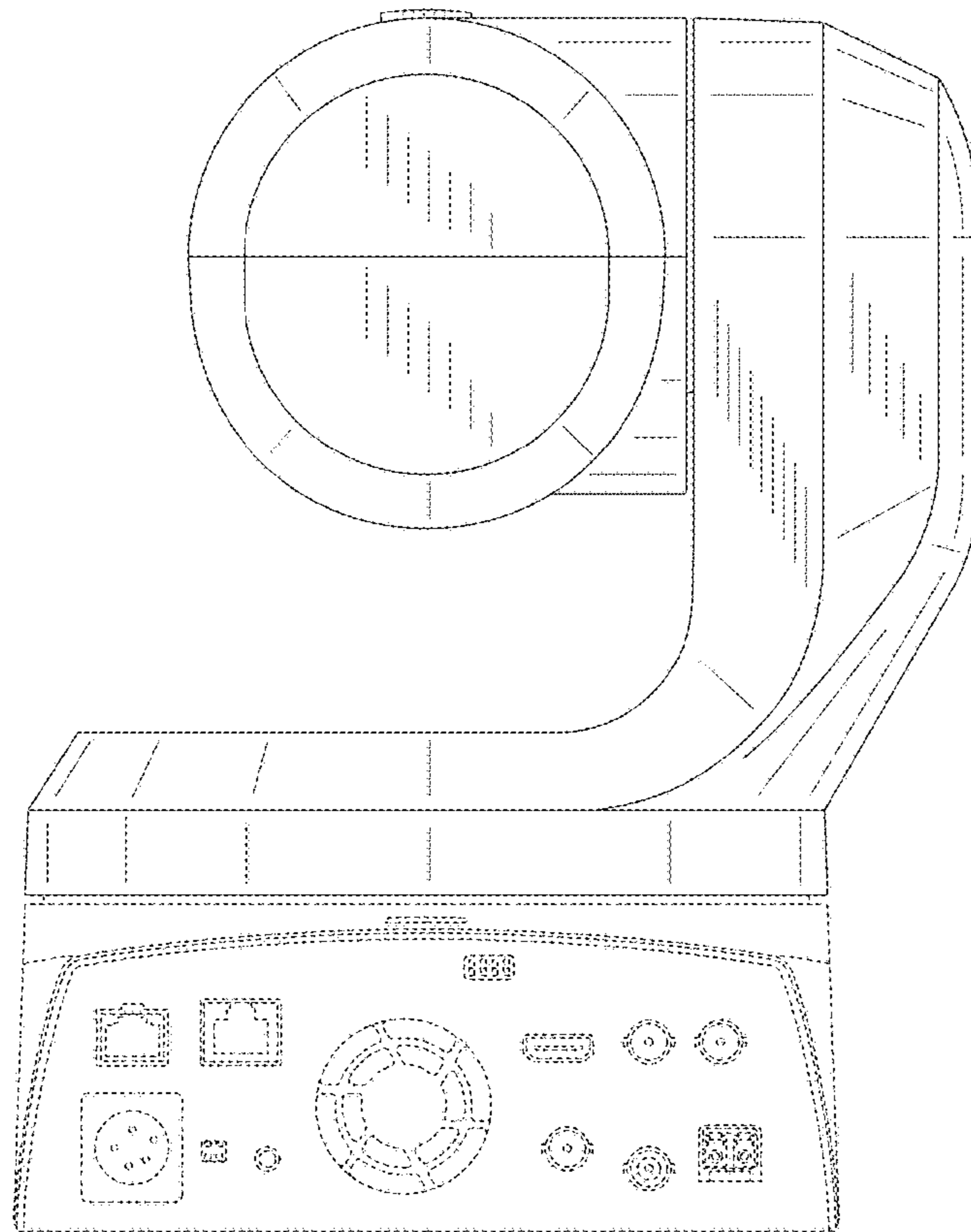


FIG. 5

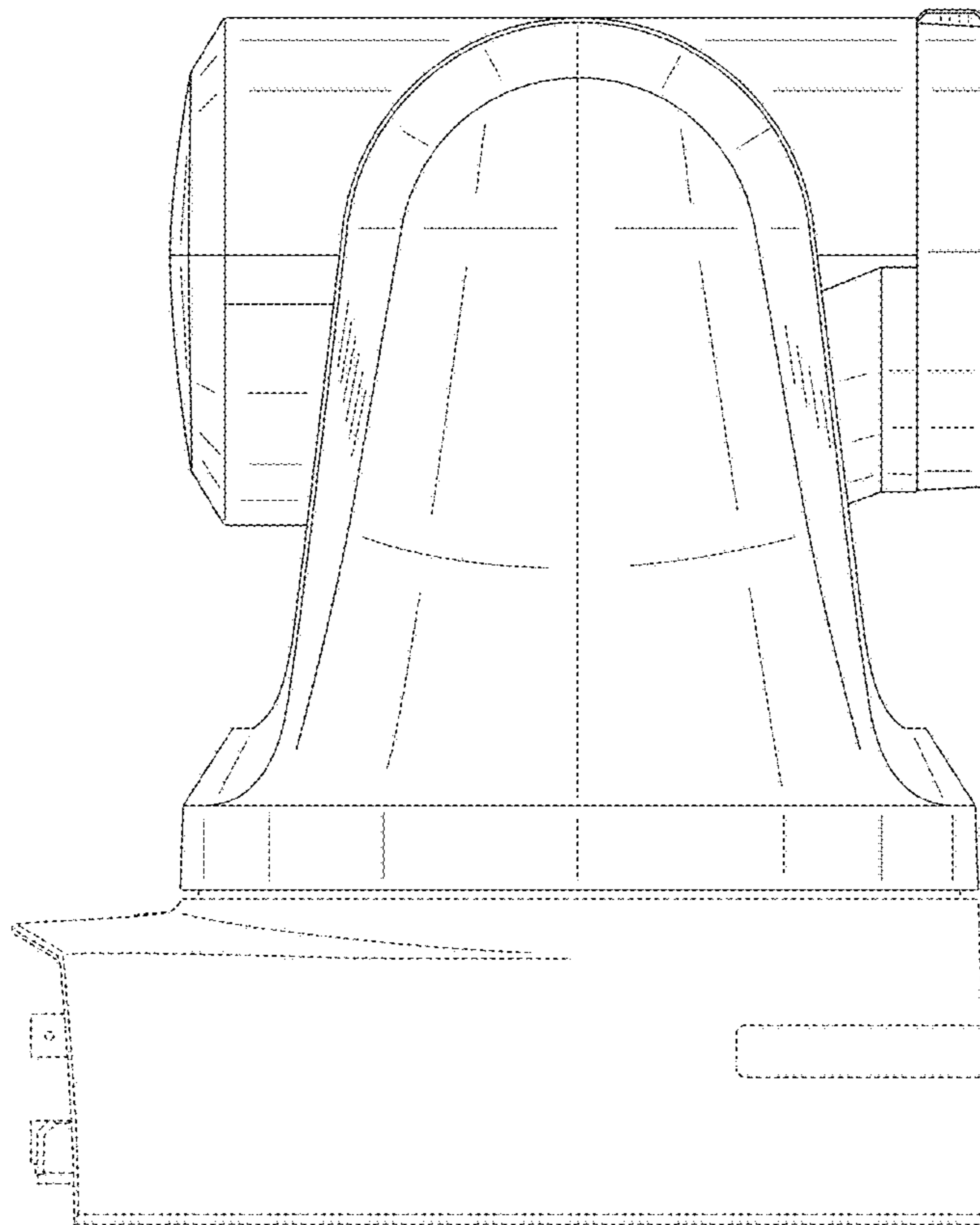


FIG. 6

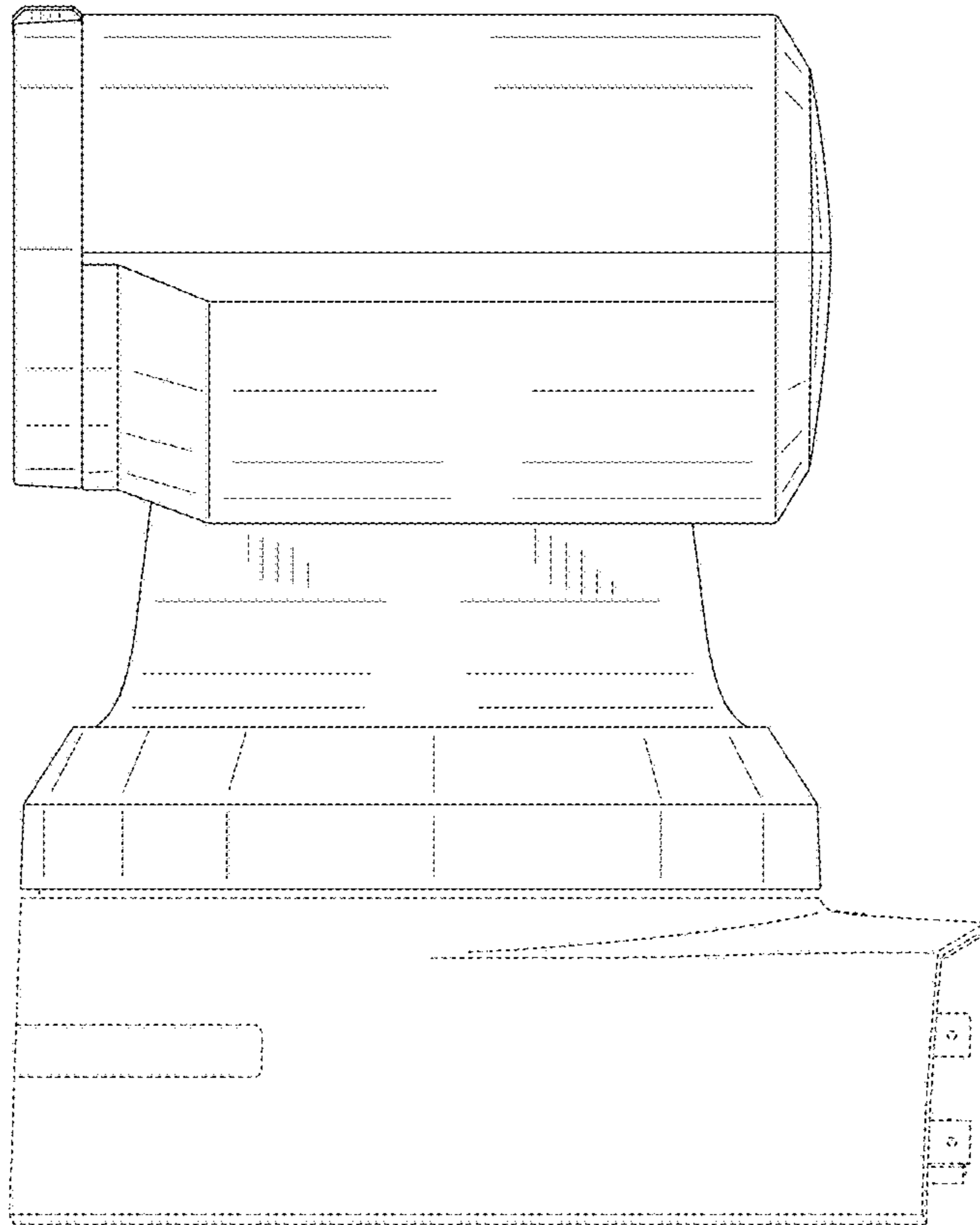


FIG. 7

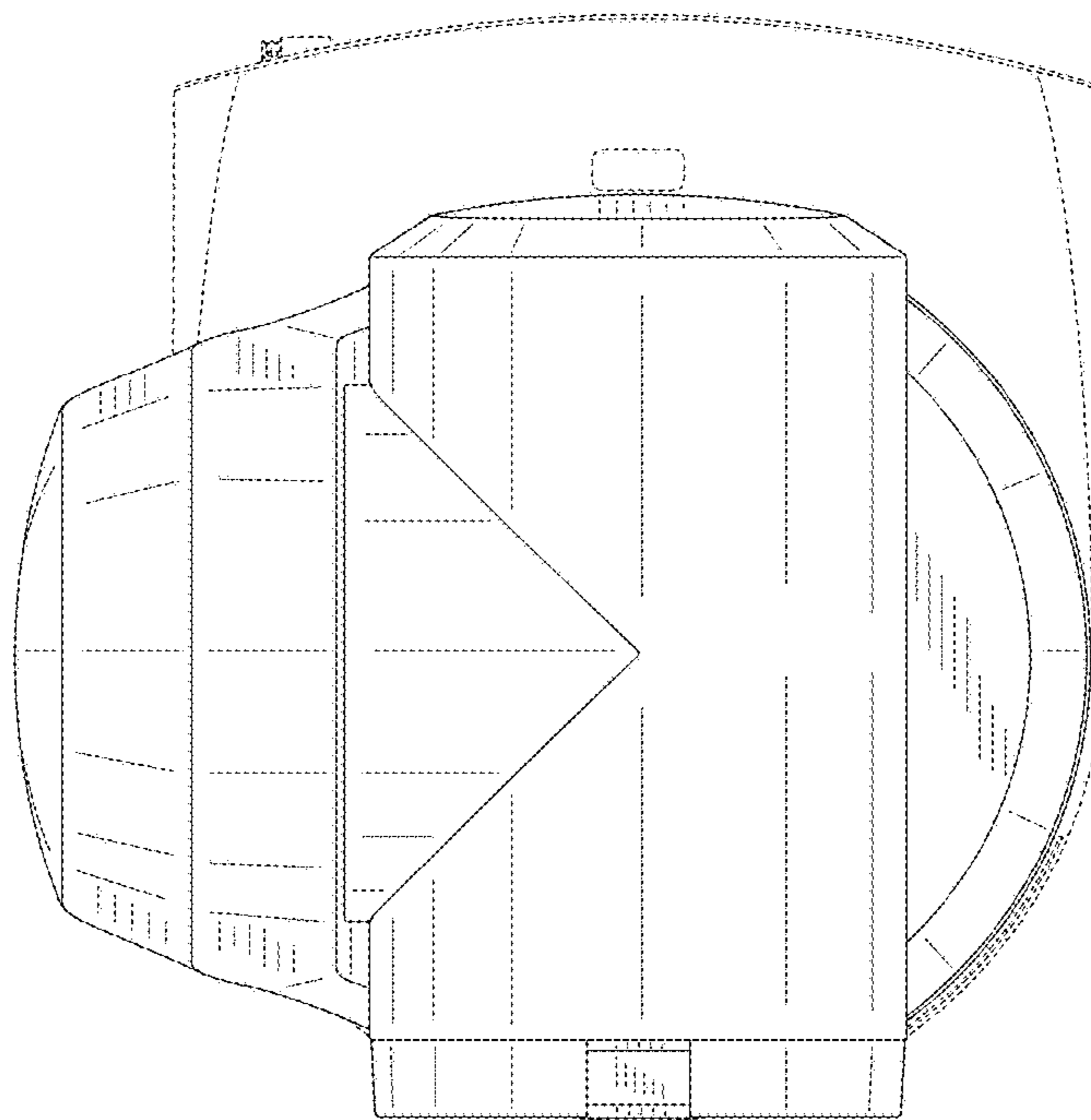


FIG. 8

