



US00D867420S

(12) **United States Design Patent**  
**Zhang**

(10) **Patent No.:** **US D867,420 S**

(45) **Date of Patent:** **\*\* Nov. 19, 2019**

(54) **MOTION CAMERA**

(71) Applicant: **Shenzhen Hongfeng Century Technology CO., LTD.**, Shenzhen (CN)

(72) Inventor: **Hongbing Zhang**, Shenzhen (CN)

(73) Assignee: **SHENZHEN HONGFENG CENTURY TECHNOLOGY CO., LTD.**, Shenzhen (CN)

(\*\*) Term: **15 Years**

(21) Appl. No.: **29/641,395**

(22) Filed: **Mar. 22, 2018**

(30) **Foreign Application Priority Data**

Jan. 12, 2018 (CN) ..... 2018 3 0014091

(51) **LOC (12) Cl.** ..... **16-01**

(52) **U.S. Cl.**  
USPC ..... **D16/202**

(58) **Field of Classification Search**

USPC ..... D16/200, 202–206, 208–209, 212, 218,  
D16/219; 348/373–376; 396/448, 535,  
396/539–541

CPC ..... G03B 15/03; G03B 17/02; G03B 17/04;  
G03B 17/56; G03B 19/04; H04N 5/2251;  
H04N 5/2252; H04N 5/2253; H04N  
5/2254; H04N 2101/00

See application file for complete search history.

(56) **References Cited**

**U.S. PATENT DOCUMENTS**

D710,922 S \* 8/2014 Gioscia ..... D16/200  
D721,395 S \* 1/2015 Woodman ..... D16/218

D739,451 S \* 9/2015 Gioscia ..... D16/200  
D750,680 S \* 3/2016 Chen ..... D16/200  
D760,309 S \* 6/2016 Parfitt ..... D16/202  
D769,346 S \* 10/2016 Nguyen ..... D16/218  
D772,966 S \* 11/2016 Song ..... D16/200  
D773,546 S \* 12/2016 Nguyen ..... D16/218  
D776,741 S \* 1/2017 Parfitt ..... D16/204  
D790,002 S \* 6/2017 Nguyen ..... D16/218  
D793,463 S \* 8/2017 Houin ..... D16/202  
D800,202 S \* 10/2017 Hu ..... D16/218  
D806,775 S \* 1/2018 Nguyen ..... D16/218

\* cited by examiner

*Primary Examiner* — Ramzi S Almatrahi

(74) *Attorney, Agent, or Firm* — Hemisphere Law, PLLC;  
Zhigang Ma

(57) **CLAIM**

The ornamental design for a motion camera, as shown and described.

**DESCRIPTION**

FIG. 1 is a front elevational view of a motion camera showing my new design;

FIG. 2 is a rear elevational view thereof;

FIG. 3 is a left side elevational view thereof;

FIG. 4 is a right side elevational view thereof;

FIG. 5 is a top plan view thereof;

FIG. 6 is a bottom plan view thereof;

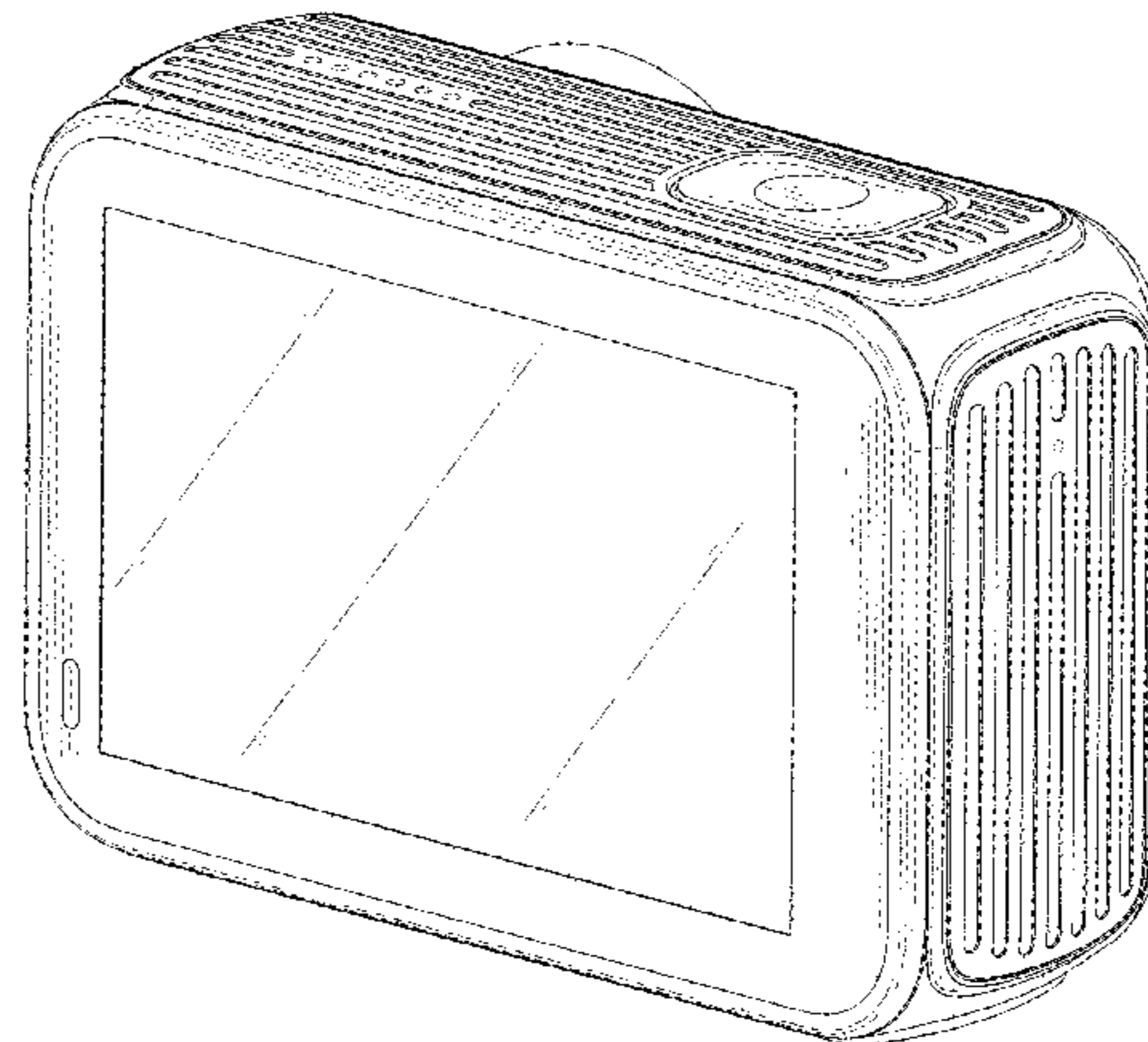
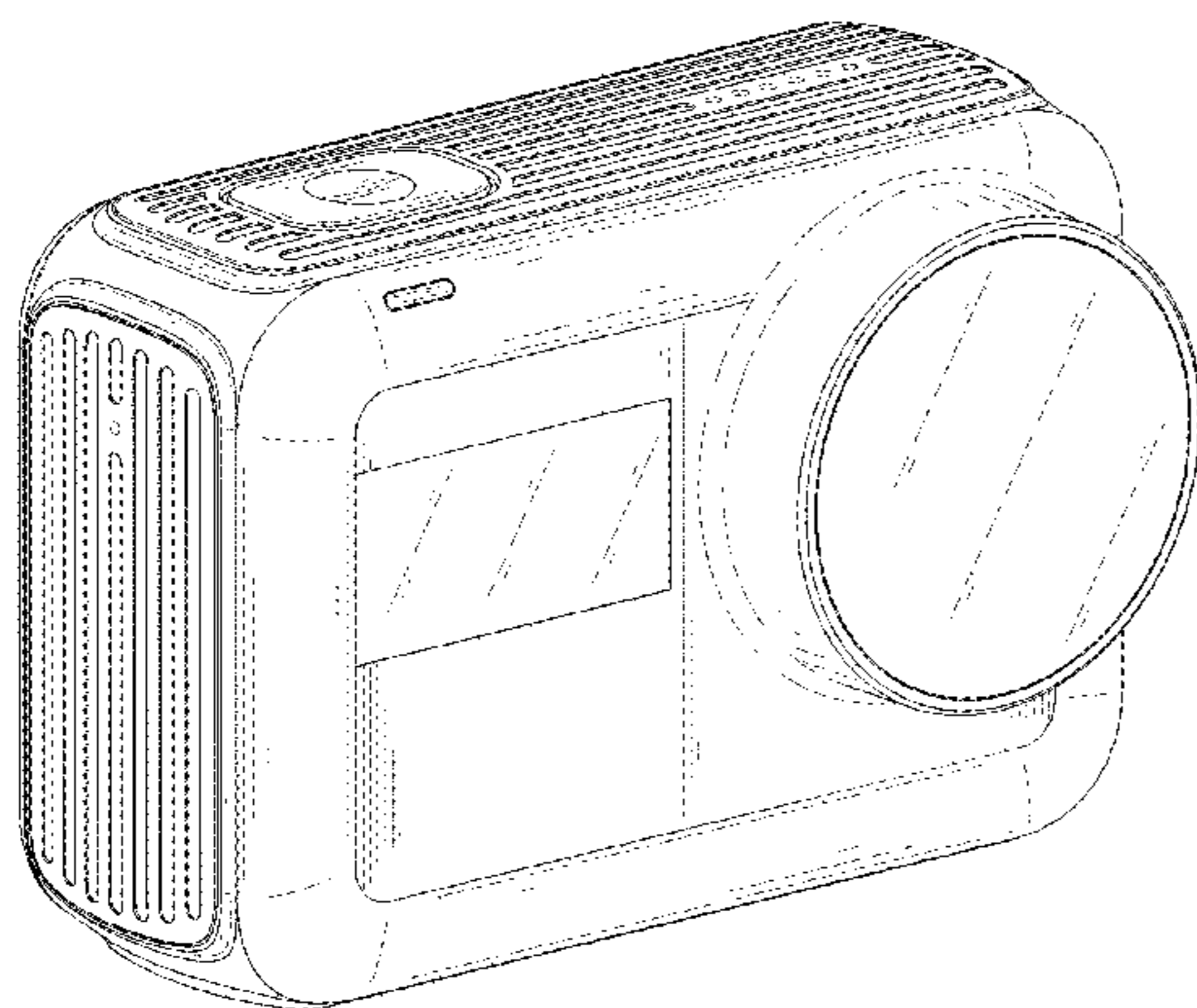
FIG. 7 is a front perspective view thereof;

FIG. 8 is a rear perspective view thereof; and,

FIG. 9 is a bottom-front perspective view thereof.

The broken lines depict portions of the motion camera in which the design is embodied that form no part of the claimed design.

**1 Claim, 9 Drawing Sheets**



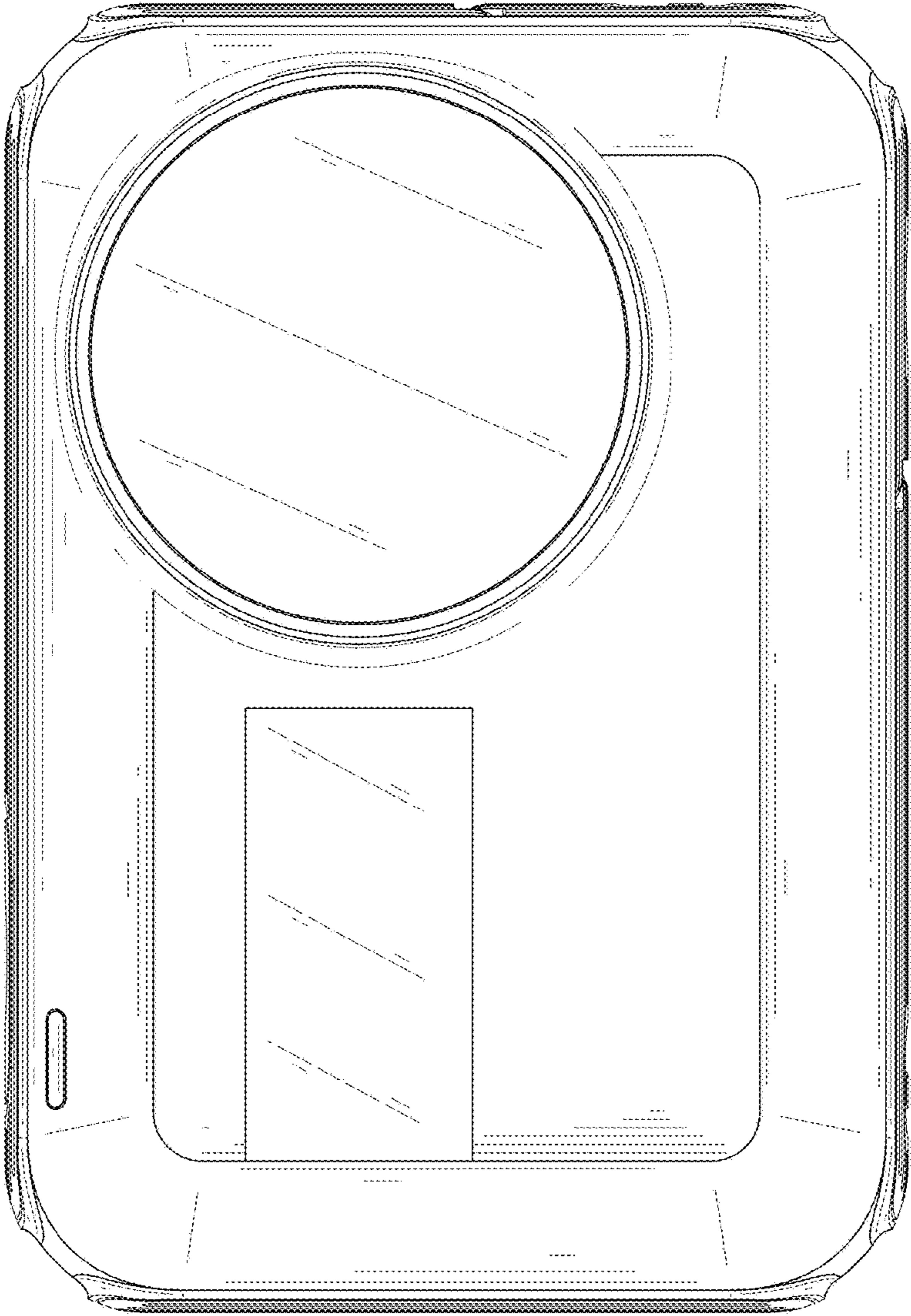


FIG. 1

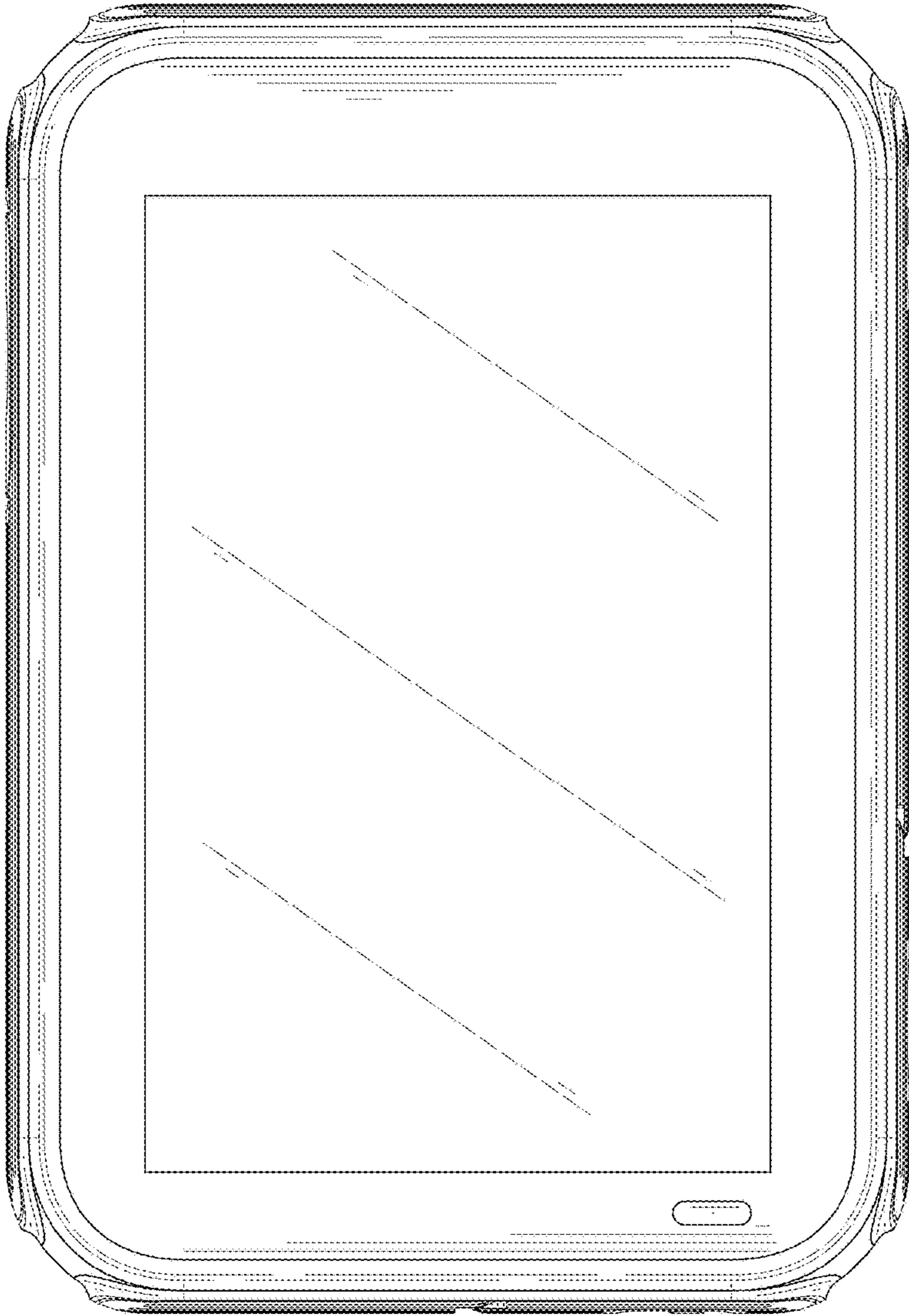


FIG. 2

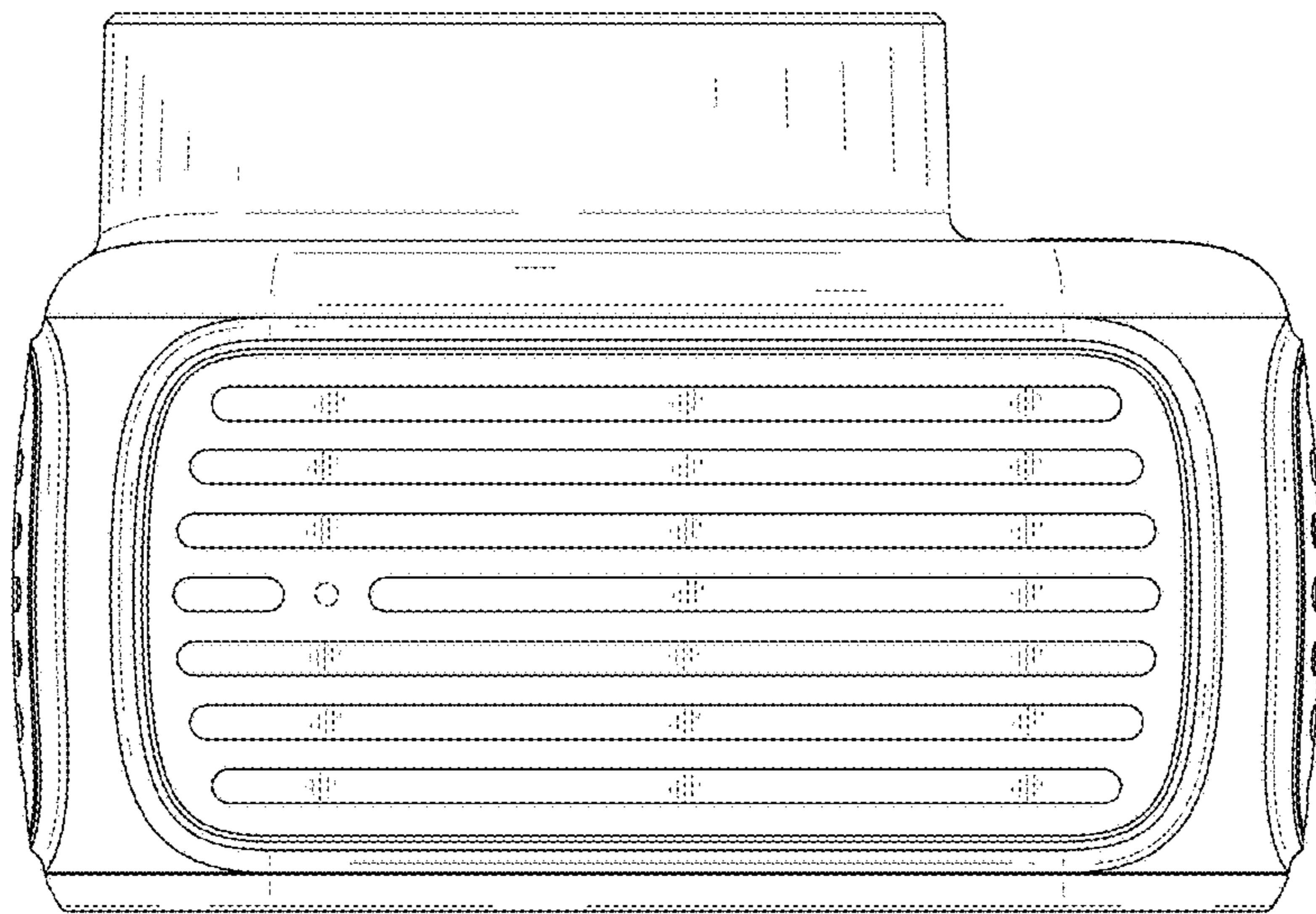


FIG. 3



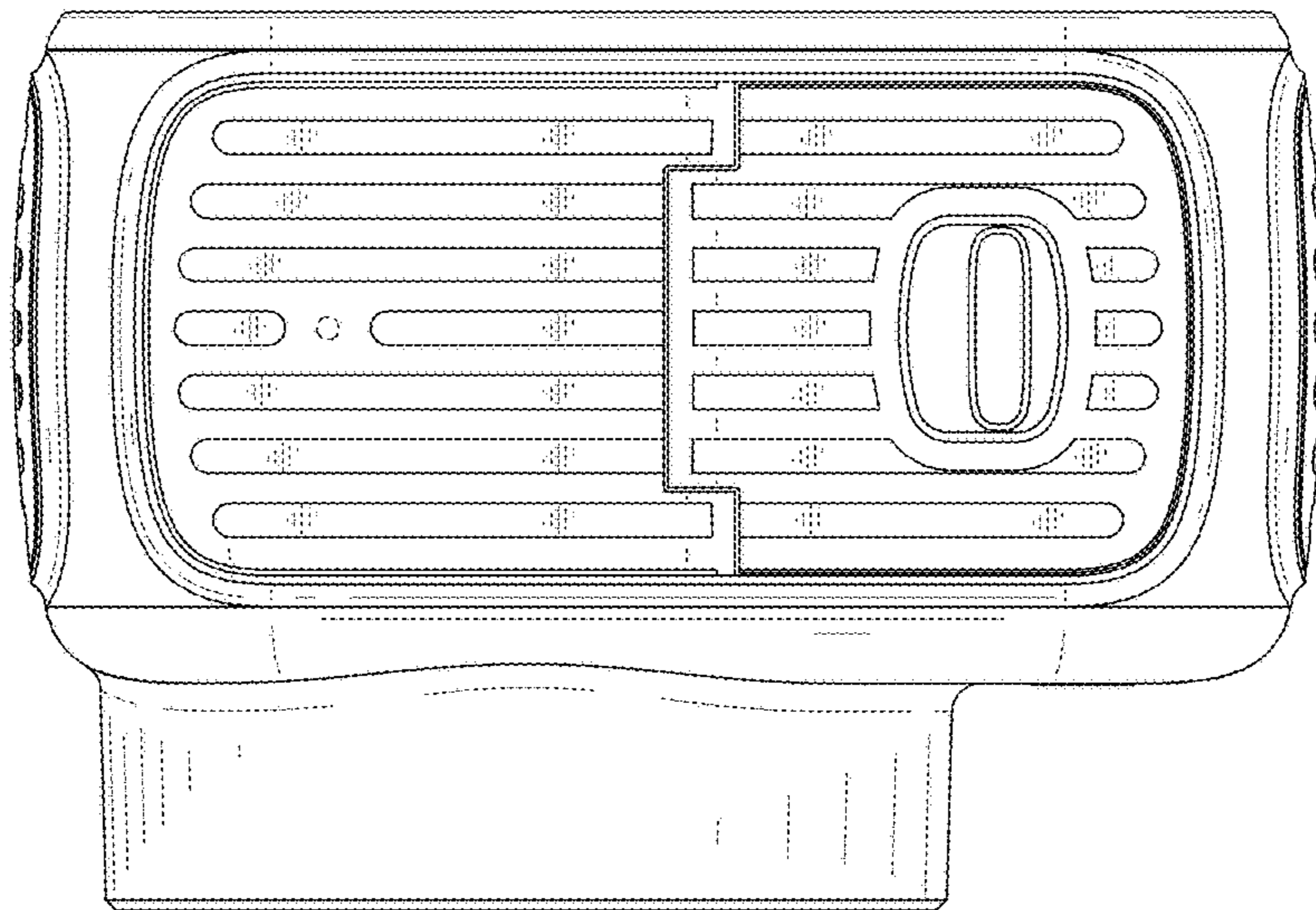


FIG. 4

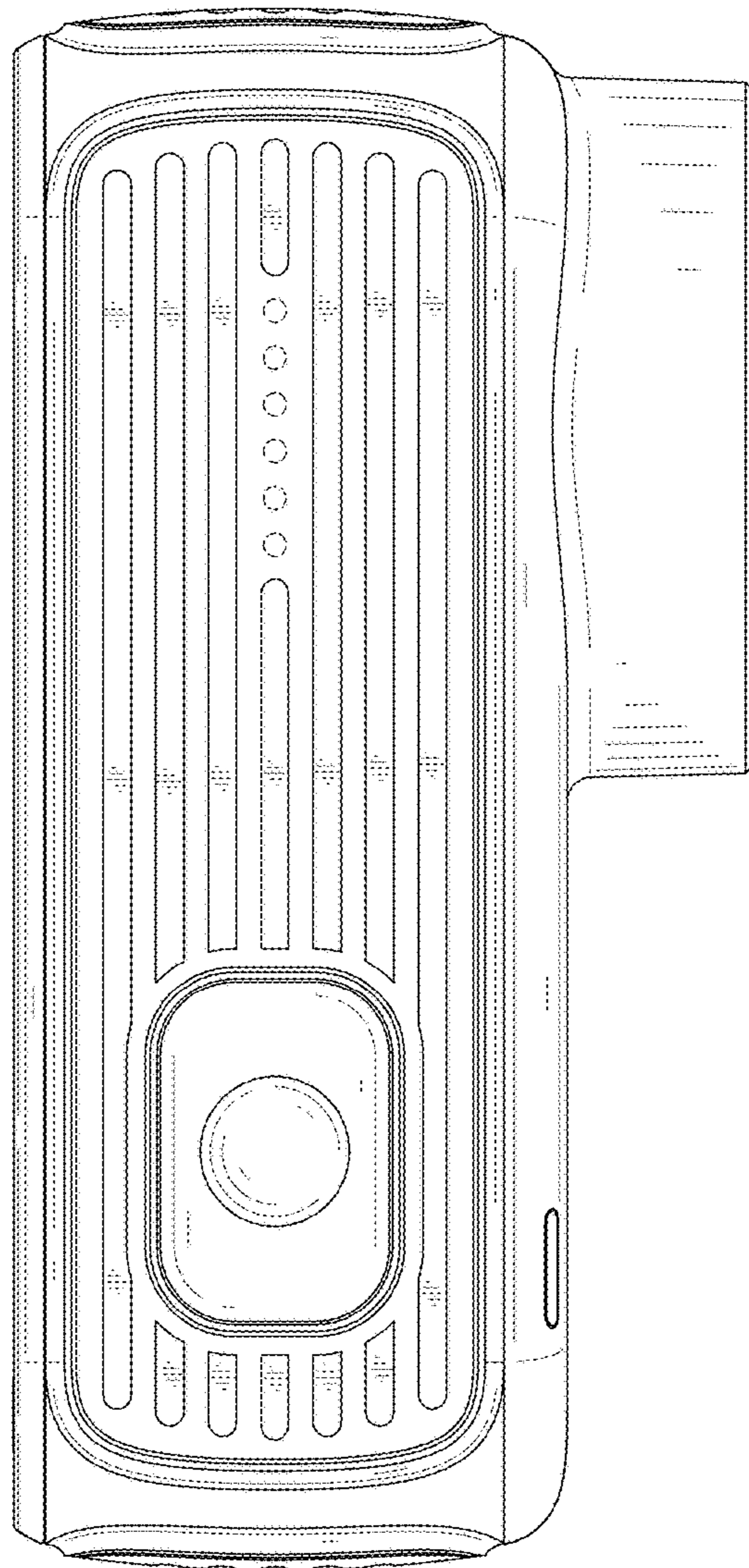


FIG. 5

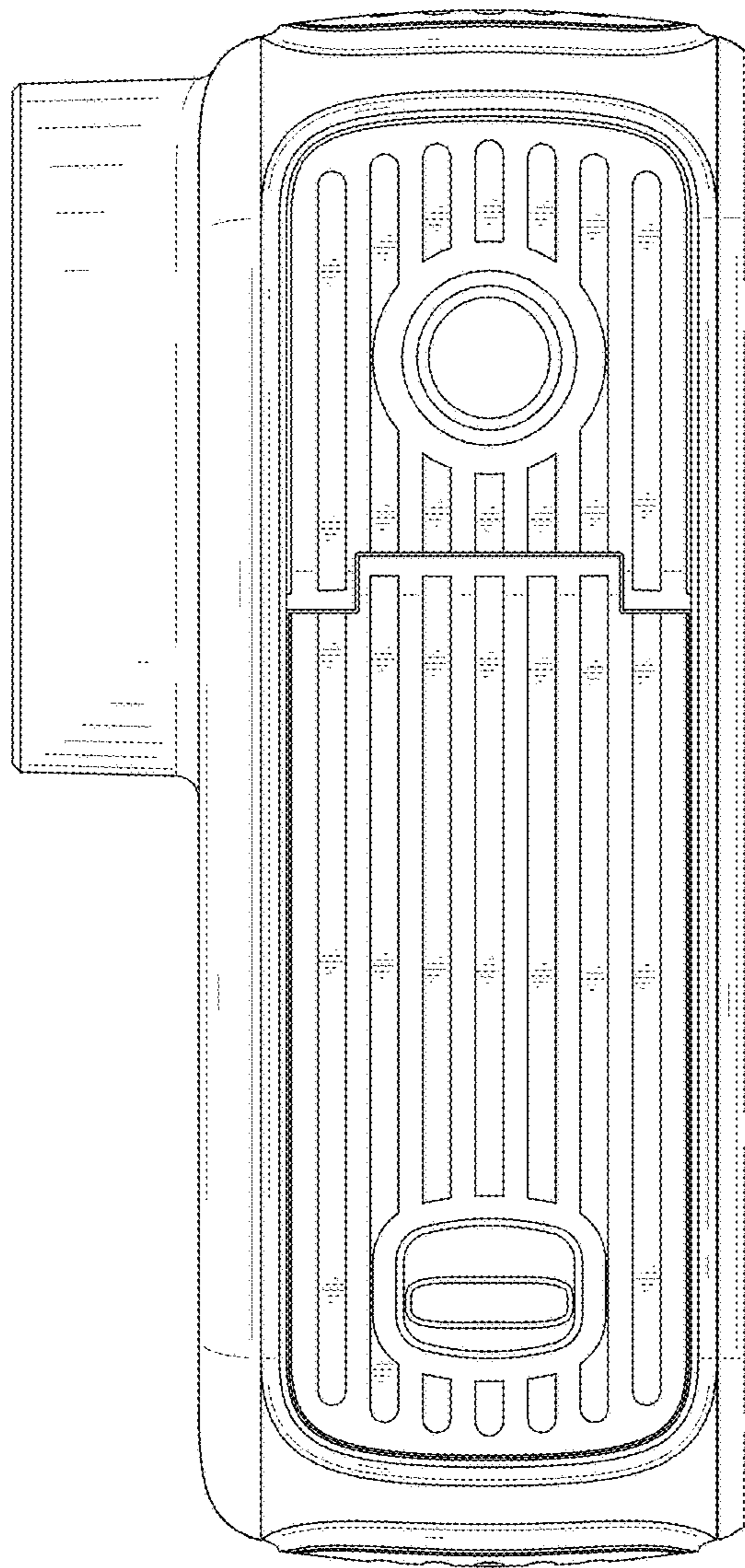


FIG. 6

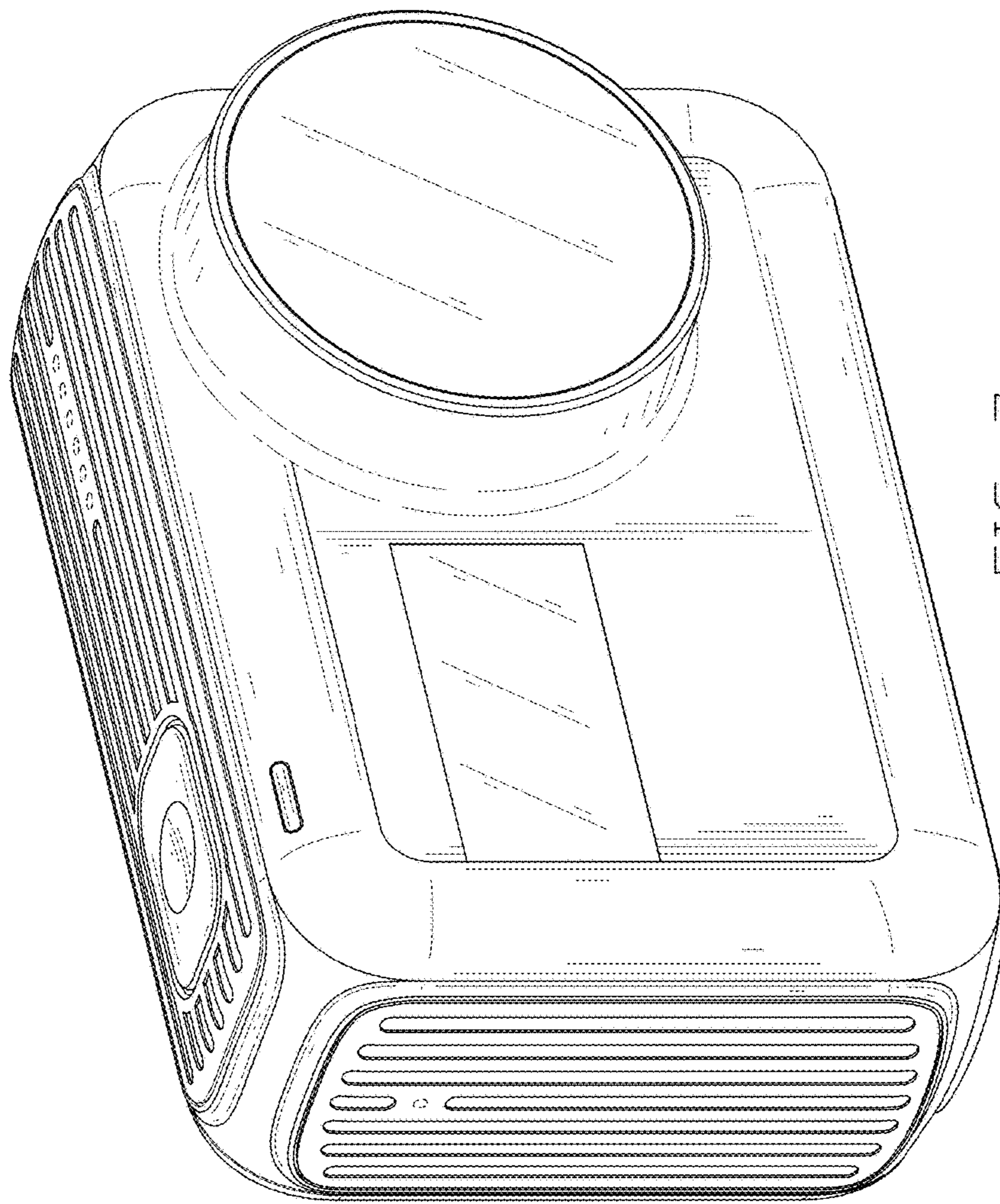


FIG. 7



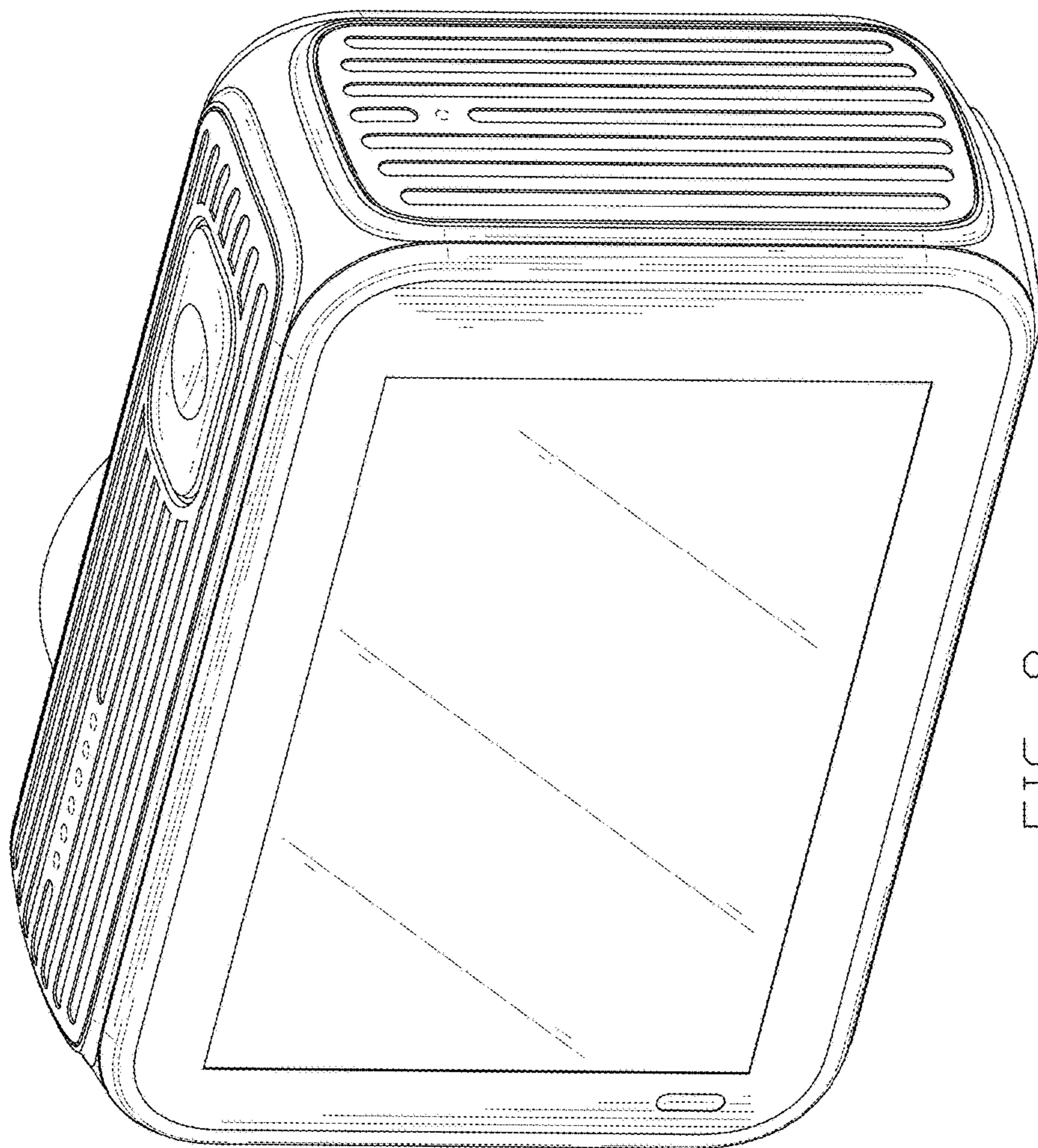


FIG. 8

