



US00D867419S

(12) **United States Design Patent**
Liu et al.

(10) **Patent No.:** **US D867,419 S**
(45) **Date of Patent:** **** Nov. 19, 2019**

(54) **CAMERA MOUNTING DEVICE**

(71) Applicant: **Logitech Europe S.A.**, Lausanne (CH)

(72) Inventors: **Ivan Liu**, Zhunan Township (TW);
Gary Choi, Hsinchu (TW); **Chun-Wei Su**, Taipei (TW)

(73) Assignee: **Logitech Europe S.A.**, Lausanne (CH)

(**) Term: **15 Years**

(21) Appl. No.: **29/580,265**

(22) Filed: **Oct. 6, 2016**

(51) **LOC (12) Cl.** **16-01**

(52) **U.S. Cl.**
USPC **D16/202**

(58) **Field of Classification Search**
USPC D16/200, 202–203, 208, 218, 219, 242;
248/187.1; 348/14.01–14.6, 143, 148,
(Continued)

(56) **References Cited**

U.S. PATENT DOCUMENTS

D441,000 S * 4/2001 Vanderwilt D16/202
D550,266 S * 9/2007 Lau D16/202
(Continued)

Primary Examiner — Ramzi S Almatrahi

(74) *Attorney, Agent, or Firm* — Kilpatrick Townsend & Stockton LLP

(57) **CLAIM**

The ornamental design for a camera mounting device, as shown and described.

DESCRIPTION

FIG. 1 is a top, front and left side perspective view of a camera mounting device showing our new design mounted on a monitor disclosed in broken lines to illustrate environmental subject matter;

FIG. 2 front perspective view thereof;

FIG. 3 is a top, front and left side perspective view of a camera mounting device placed on a work surface disclosed in broken lines to illustrate environmental subject matter; FIG. 4 is an exploded top, front and left side perspective view thereof;

FIG. 5 is a front and right side perspective view of a camera mounting device;

FIG. 6 is a front elevation view thereof;

FIG. 7 is a rear elevation view thereof;

FIG. 8 is a top plan view thereof;

FIG. 9 is a bottom plan view thereof;

FIG. 10 is a left side elevation view thereof;

FIG. 11 is a right side elevation view thereof;

FIG. 12 is a front and right side perspective view of a camera portion of the camera mounting device;

FIG. 13 is a front elevation view thereof;

FIG. 14 is a rear elevation view thereof;

FIG. 15 is a top plan view thereof;

FIG. 16 is a bottom plan view thereof;

FIG. 17 is a left side elevation view thereof;

FIG. 18 is a right side elevation view thereof;

FIG. 19 is a top and rear perspective view of a base portion of the camera mounting device;

FIG. 20 is top and front perspective view thereof;

FIG. 21 is a front elevation view thereof;

FIG. 22 is a rear elevation view thereof;

FIG. 23 is a top plan view thereof;

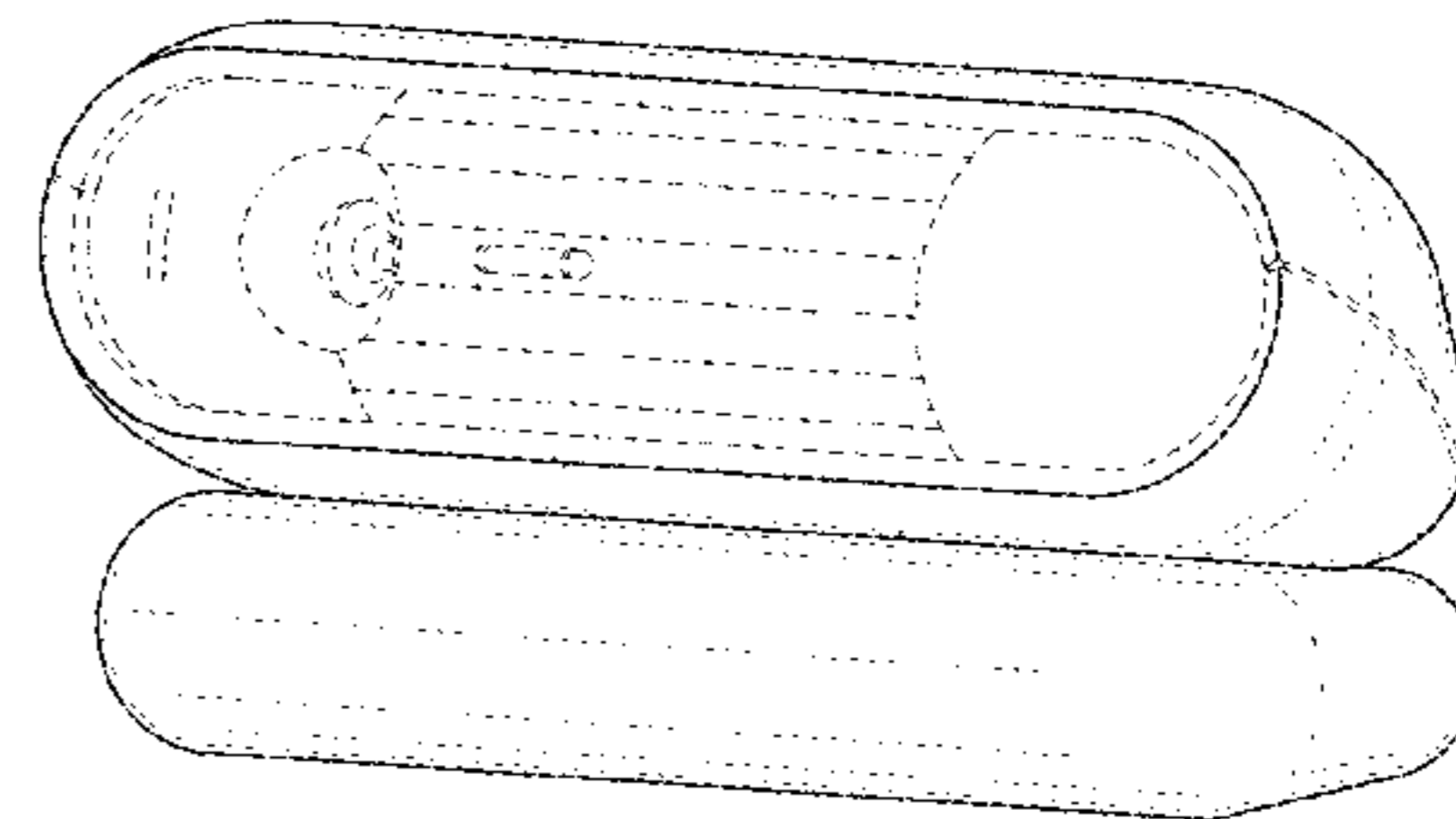
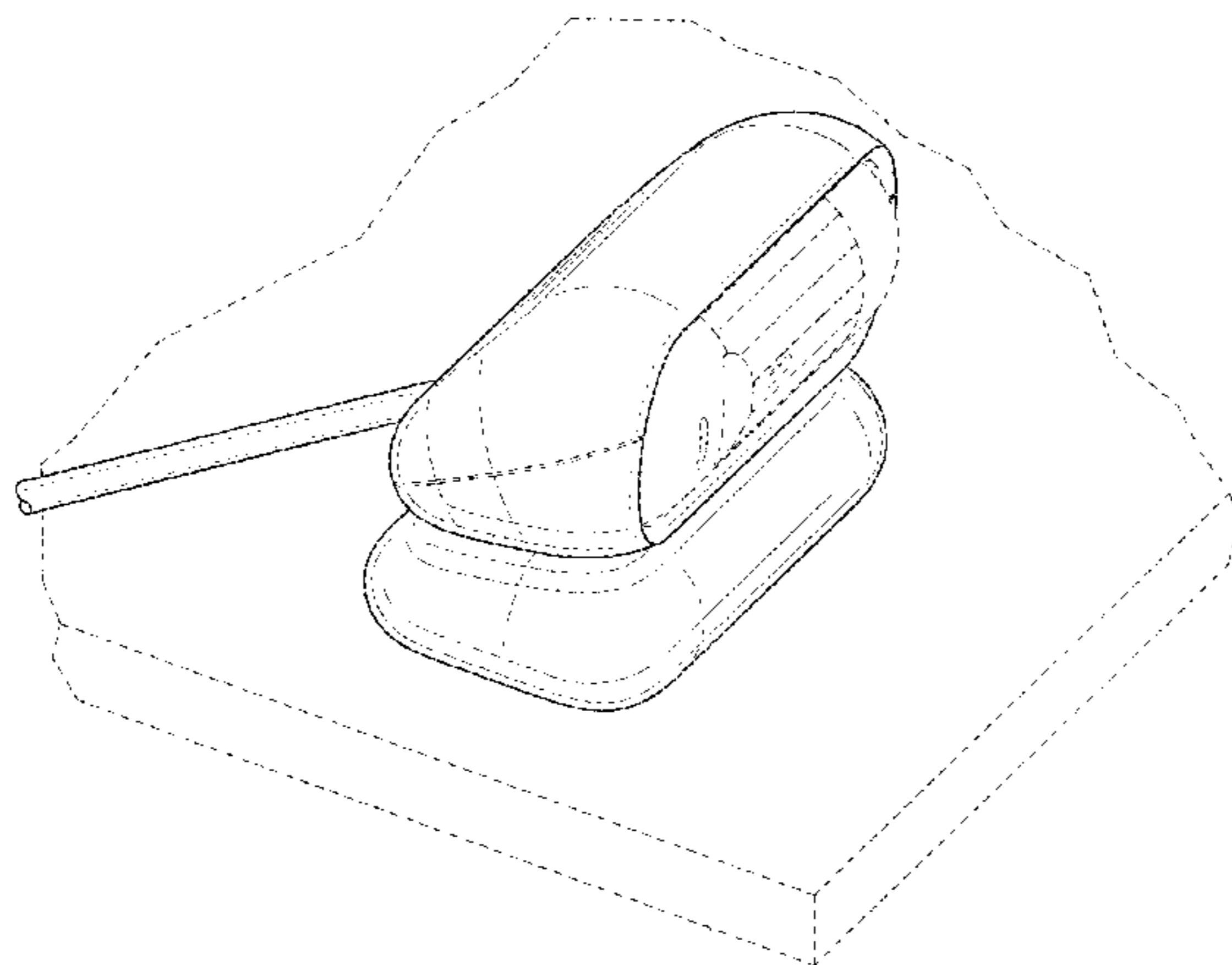
FIG. 24 is a bottom plan view thereof;

FIG. 25 is a left side elevation view thereof; and,

FIG. 26 is a right side elevation view thereof.

The broken lines depict portions of the camera mounting device in which the design is embodied that form no part of the claimed design. Additionally, the broken lines showing a monitor and a work surface in FIGS. 1-4 represent environmental structure and form no part of the claimed design.

1 Claim, 18 Drawing Sheets



(58) **Field of Classification Search**

USPC 348/151, 373-376; 396/419, 427, 428,
396/535, 539-541
CPC G03B 17/02; G03B 19/04; G03B 17/56;
G03B 17/04; G03B 15/03; H04N
2101/00; H04N 2007/145; H04N 7/141;
H04N 7/142; H04N 7/147; H04N 7/148;
H04N 7/15; H04N 7/152

See application file for complete search history.

(56) **References Cited**

U.S. PATENT DOCUMENTS

7,500,794	B1 *	3/2009	Clark	G03B 17/00 348/143
D600,730	S *	9/2009	Su	D16/202
D629,031	S *	12/2010	Su	D16/202
D631,497	S *	1/2011	Han	D16/202
D641,388	S *	7/2011	Shih	D16/202
D680,569	S *	4/2013	Lee	D16/202
D705,337	S *	5/2014	Tani	D16/219
D750,681	S *	3/2016	Takami	D16/202
D775,679	S *	1/2017	Klein	D16/202
2012/0236195	A1 *	9/2012	Chang	G06F 1/1686 348/333.06
2013/0010053	A1 *	1/2013	Daddi	A47C 31/00 348/14.08

* cited by examiner

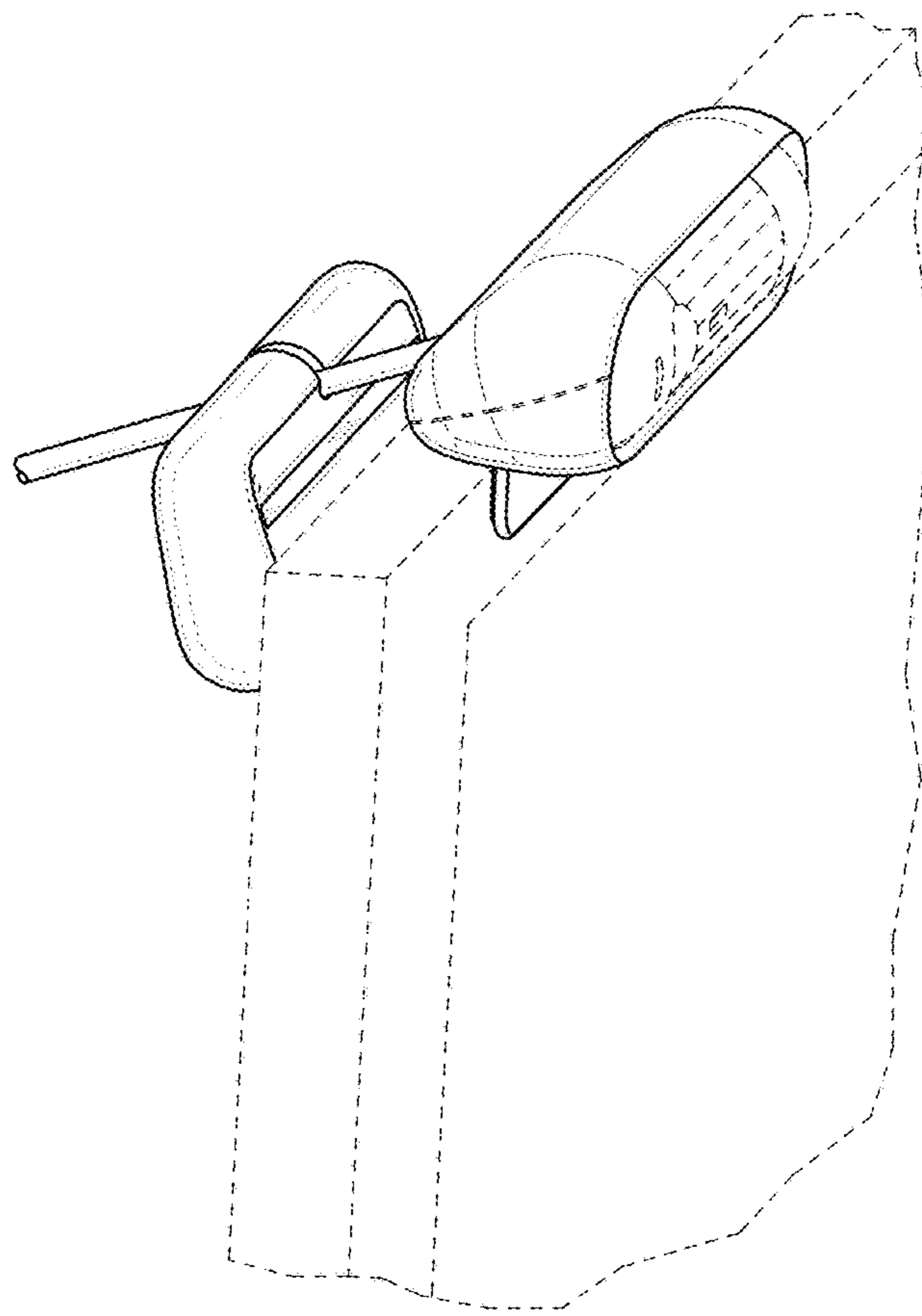


FIG. 1

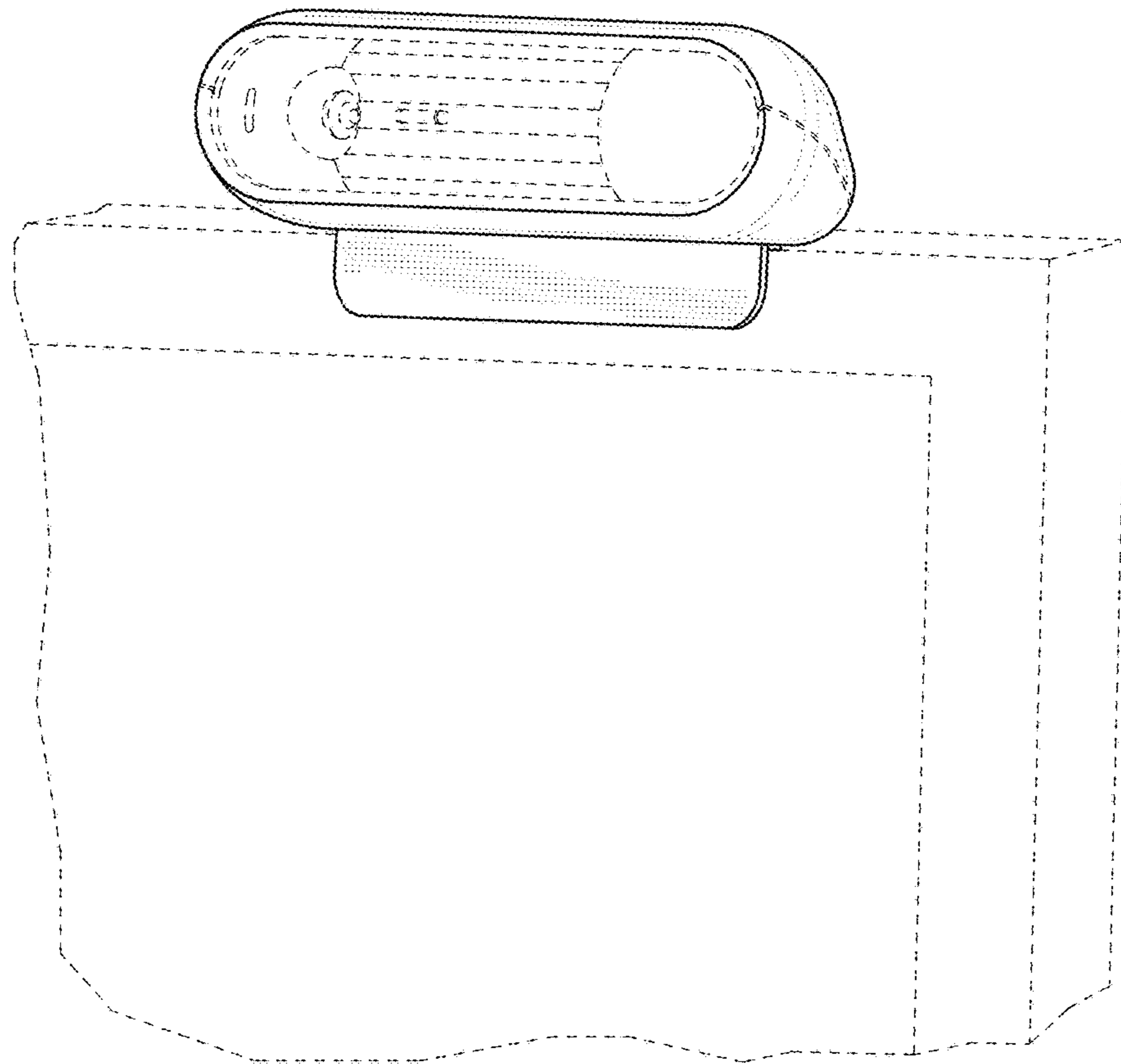


FIG. 2

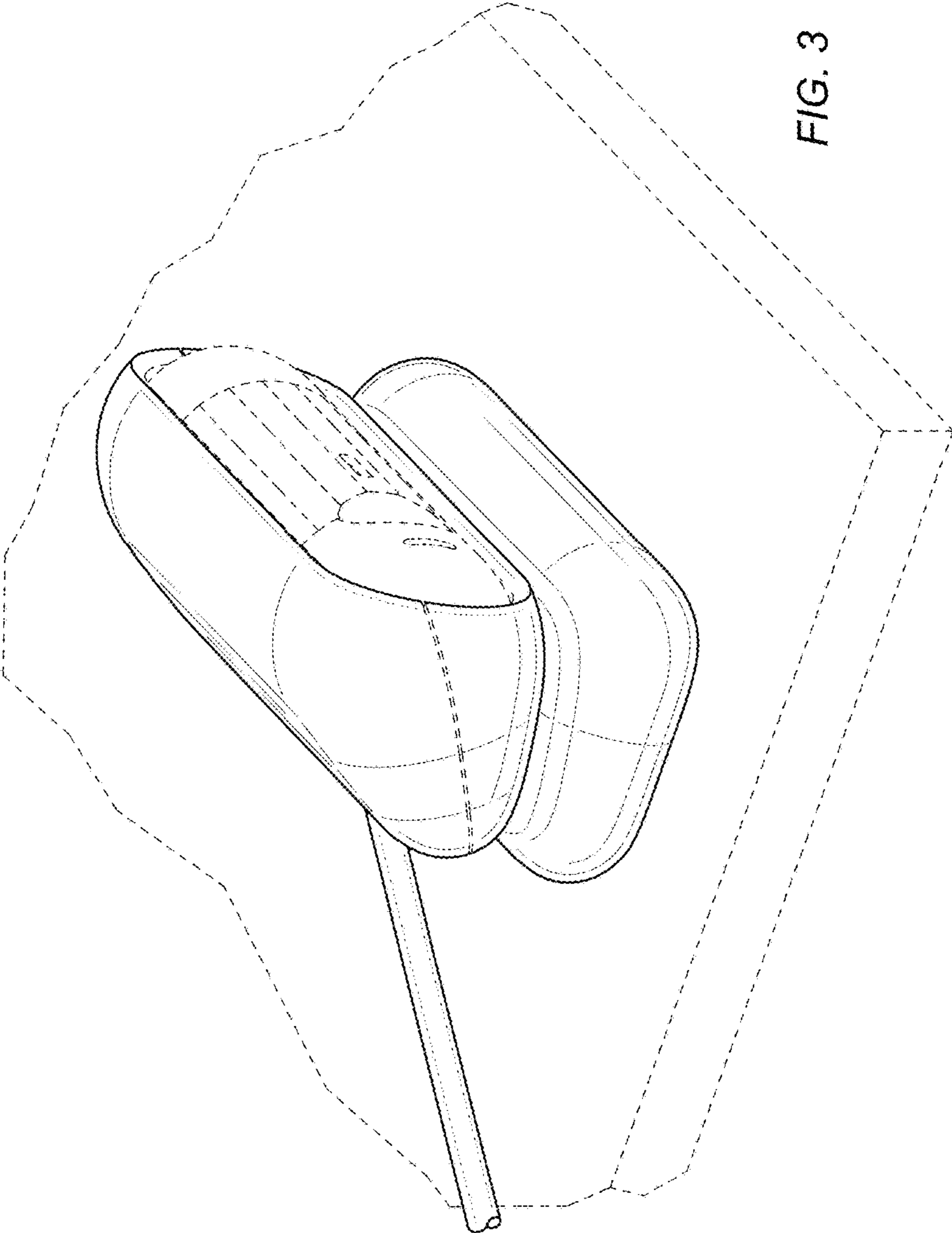


FIG. 3

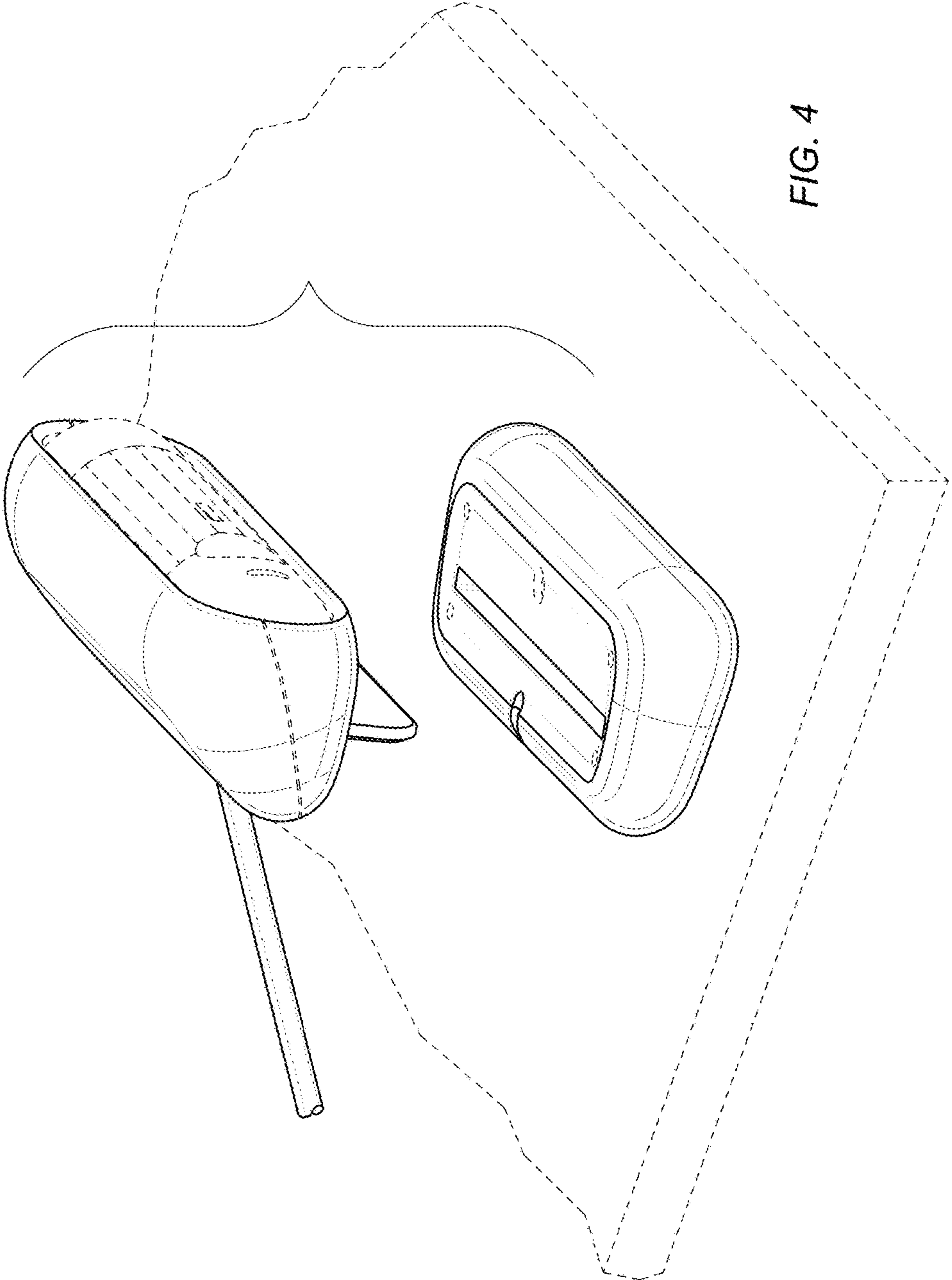


FIG. 4

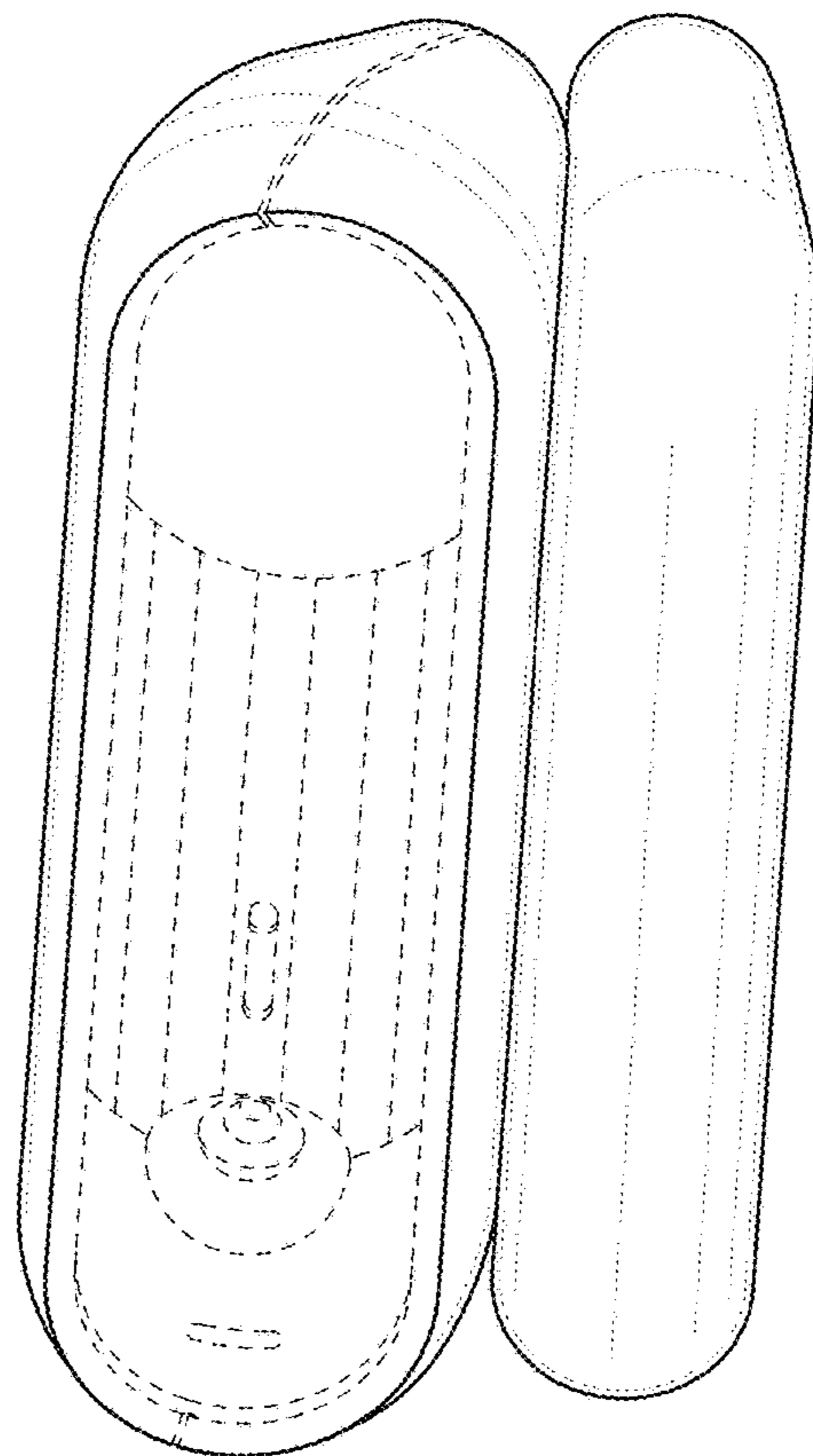


FIG. 5

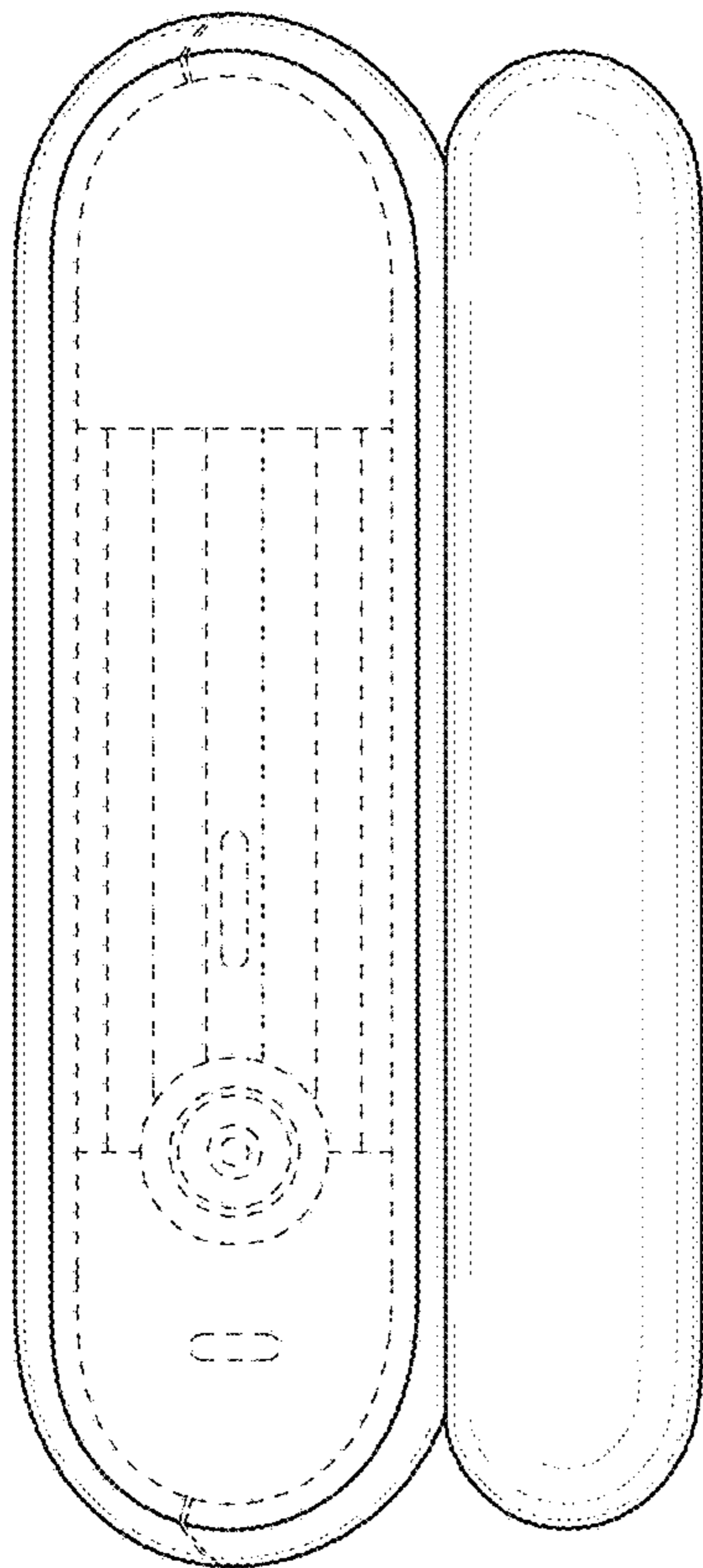


FIG. 6

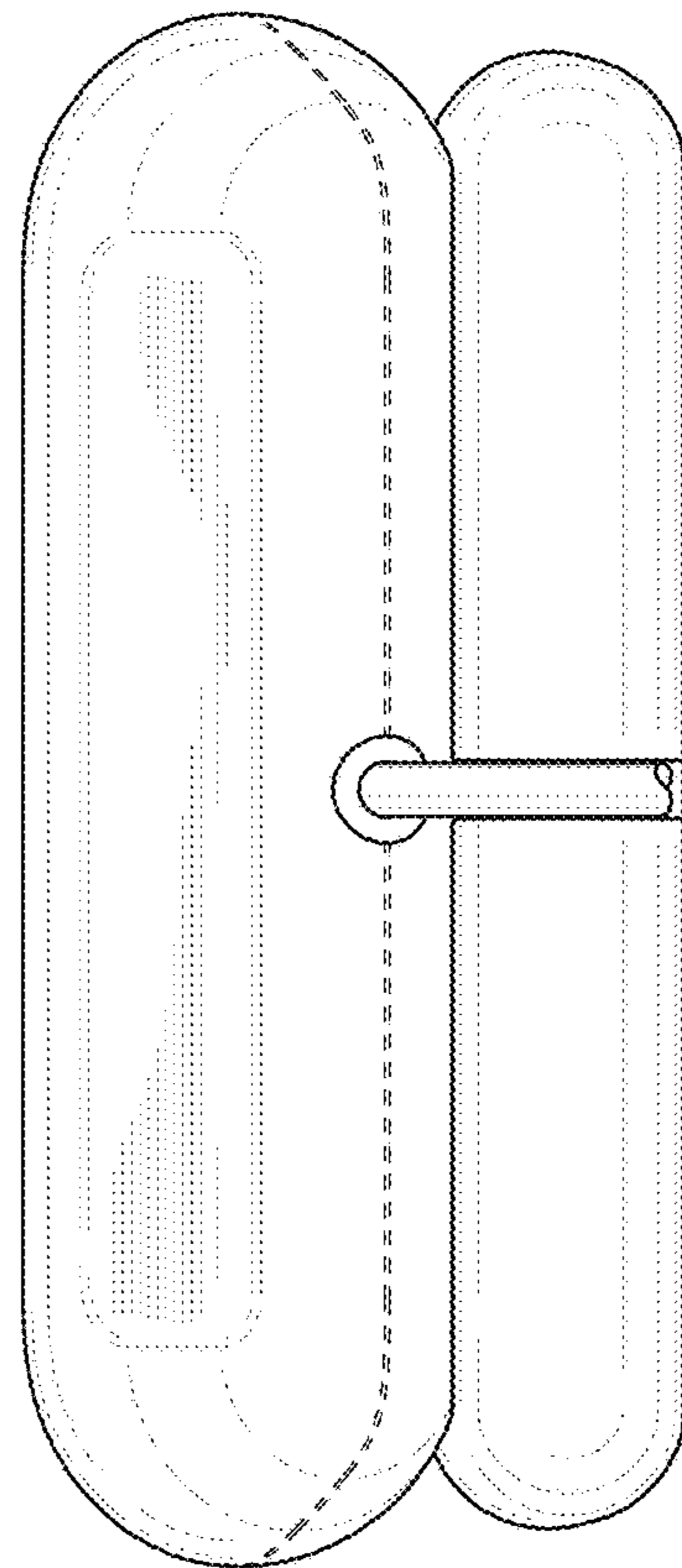


FIG. 7

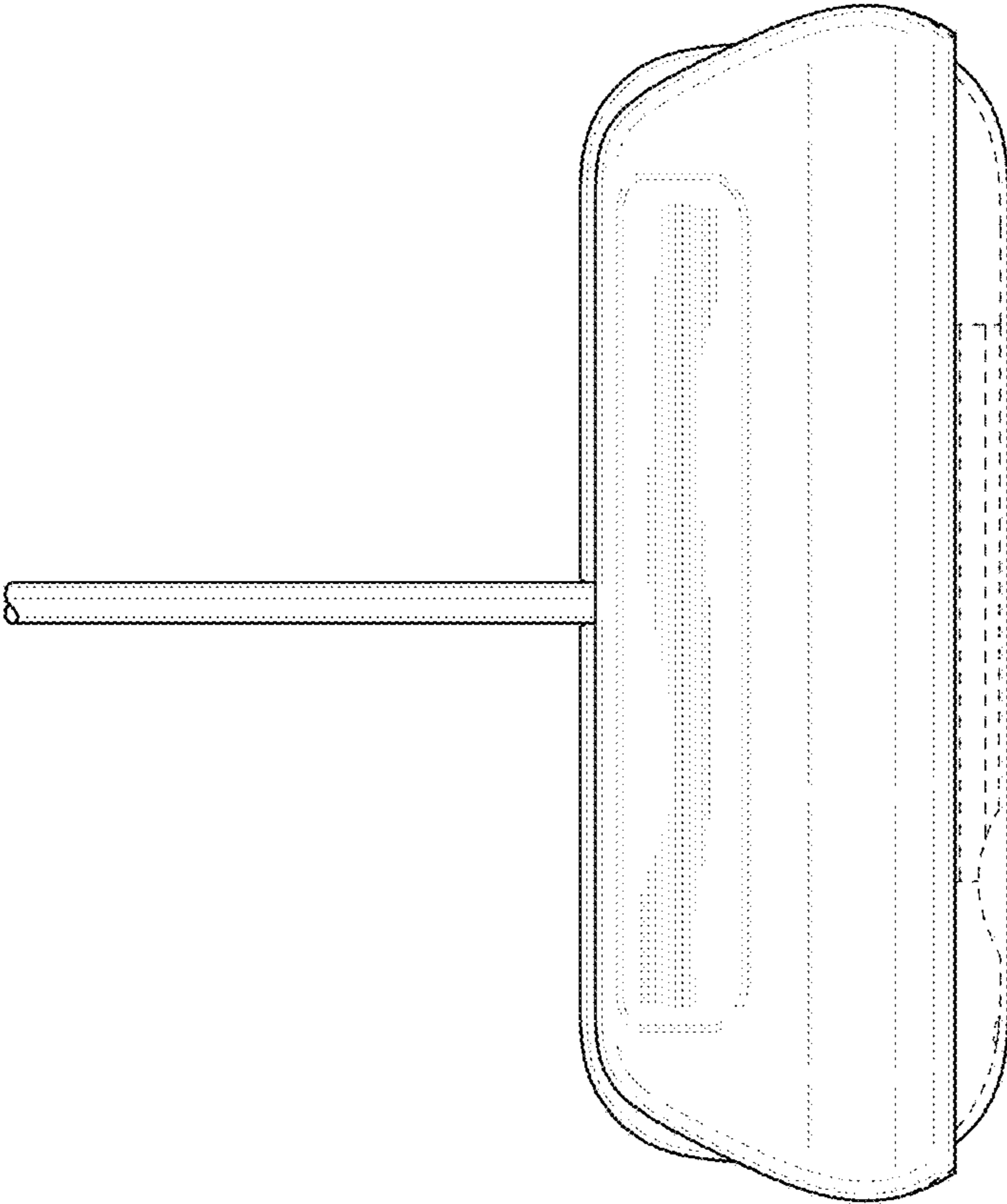


FIG. 8

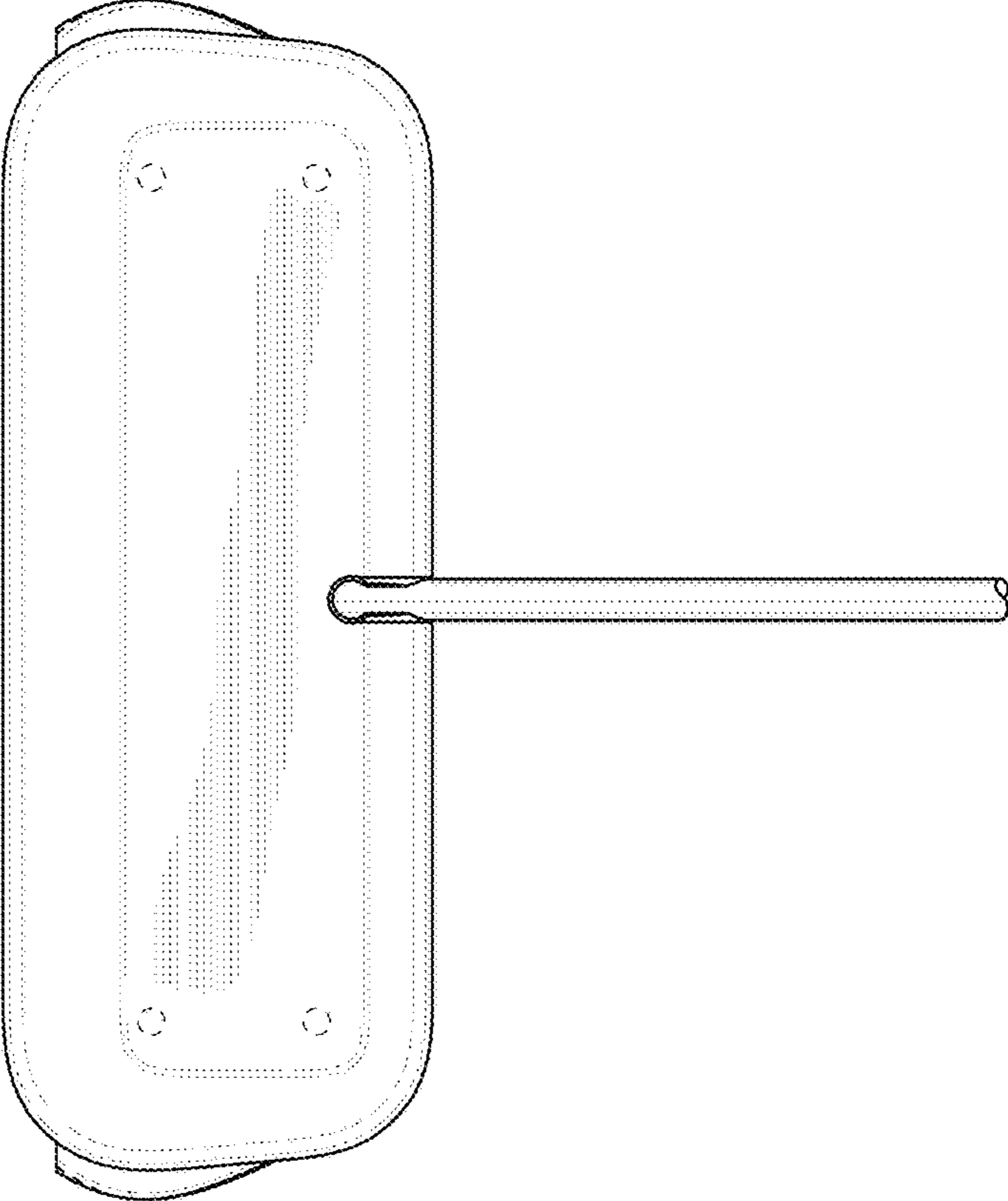


FIG. 9

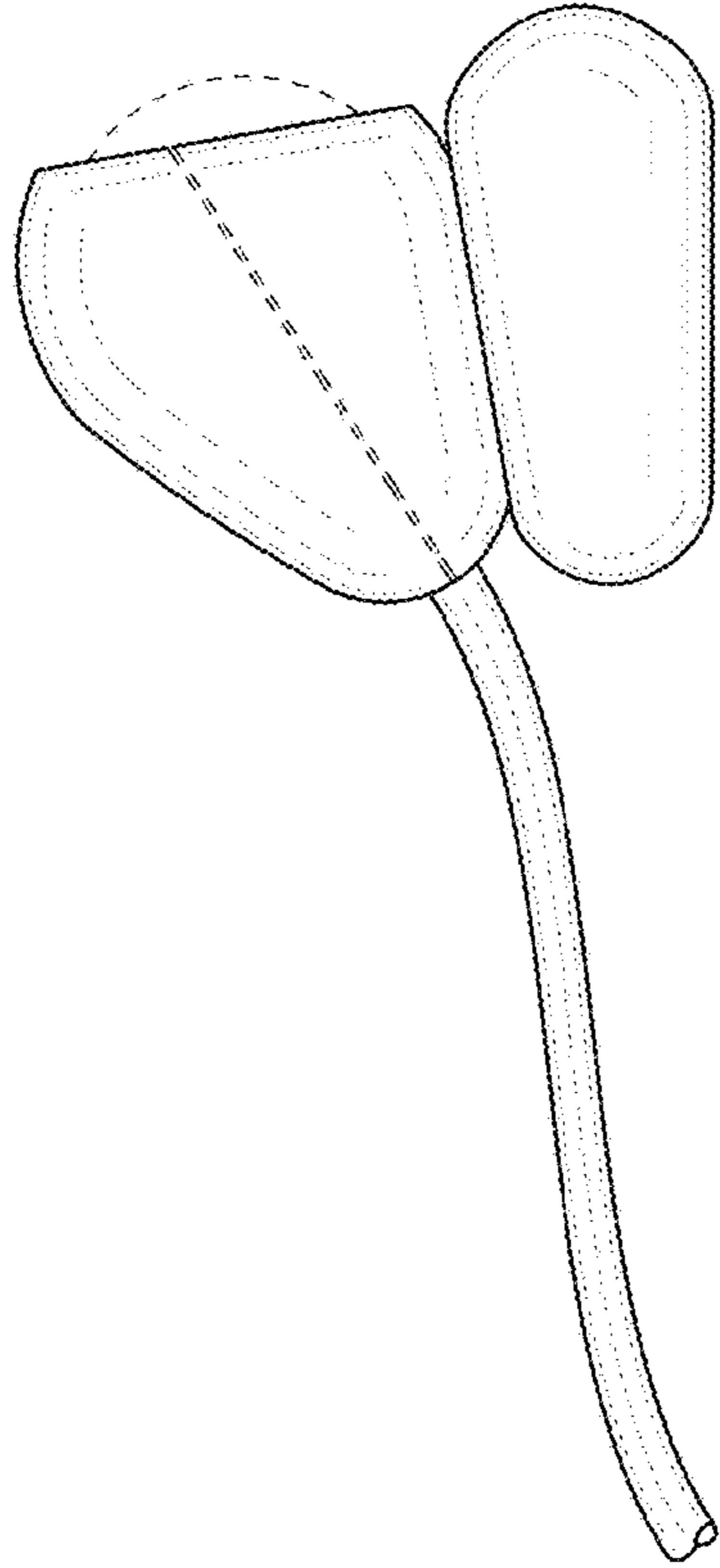


FIG. 10

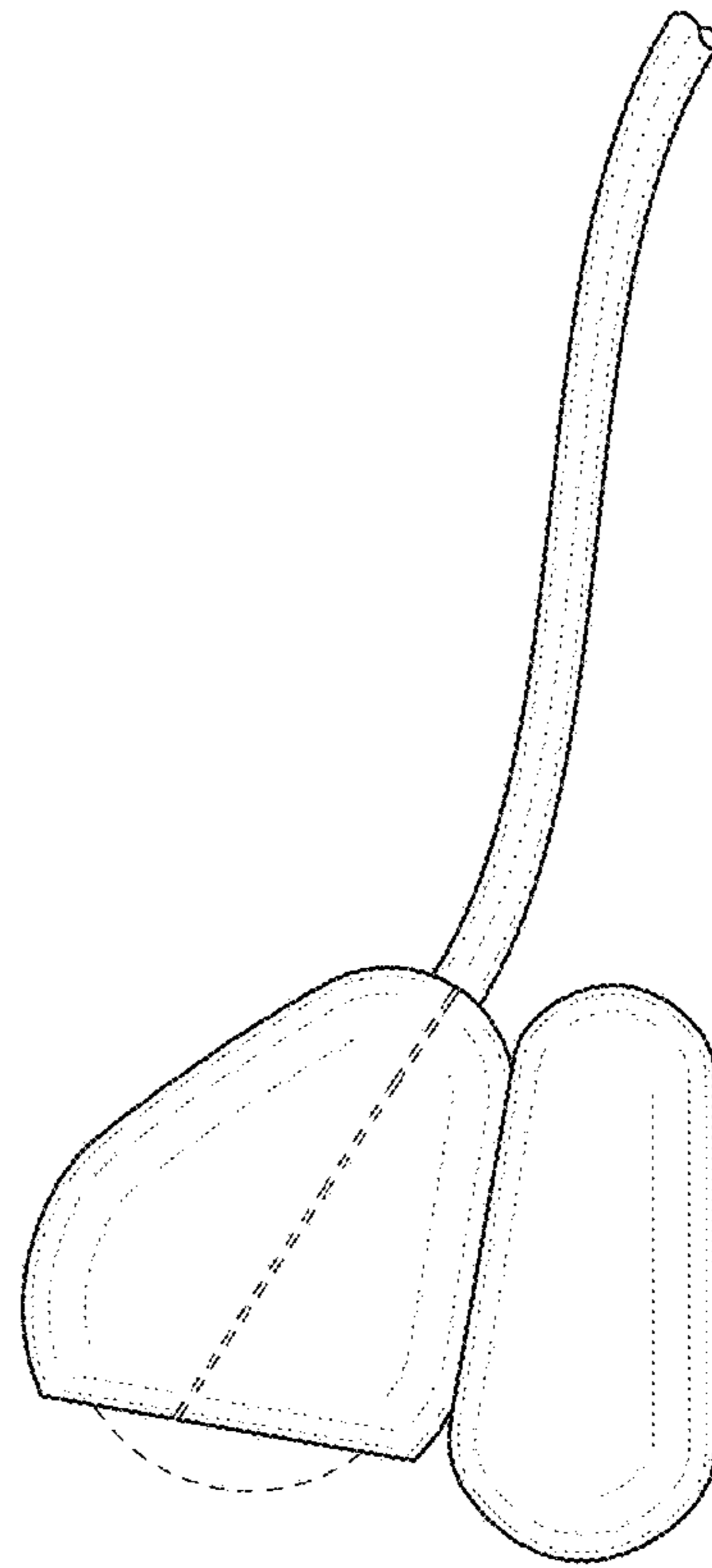


FIG. 11

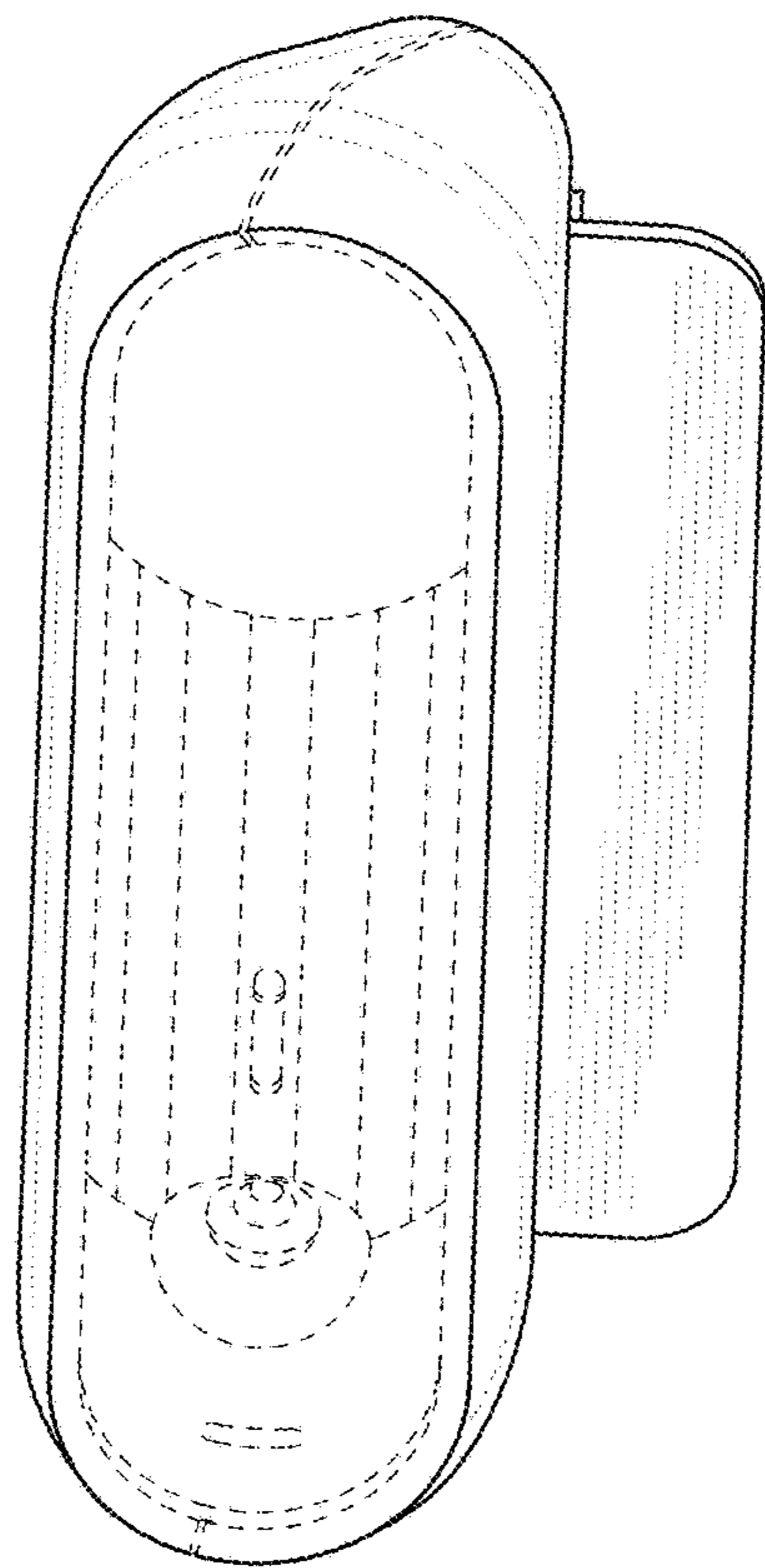


FIG. 12

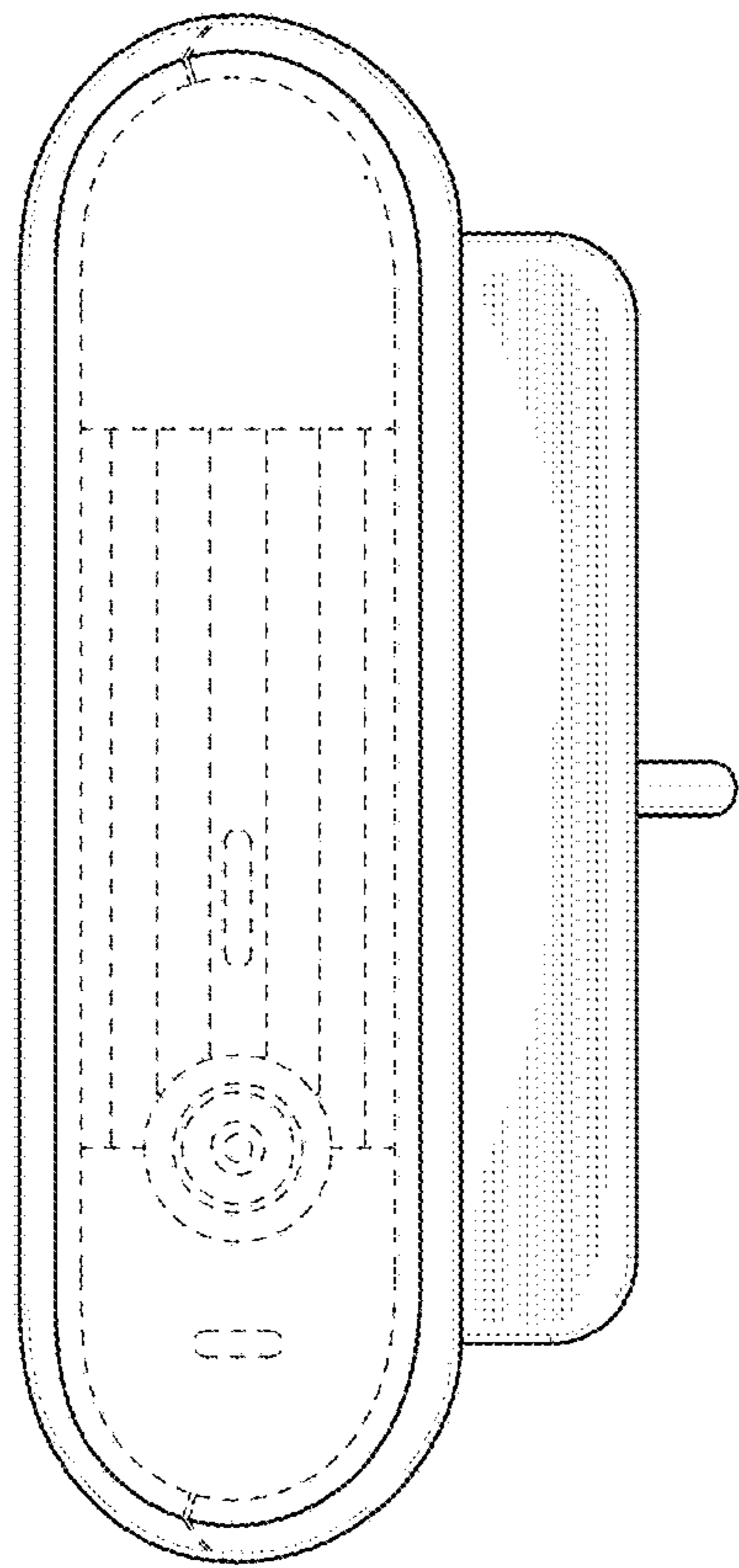


FIG. 13

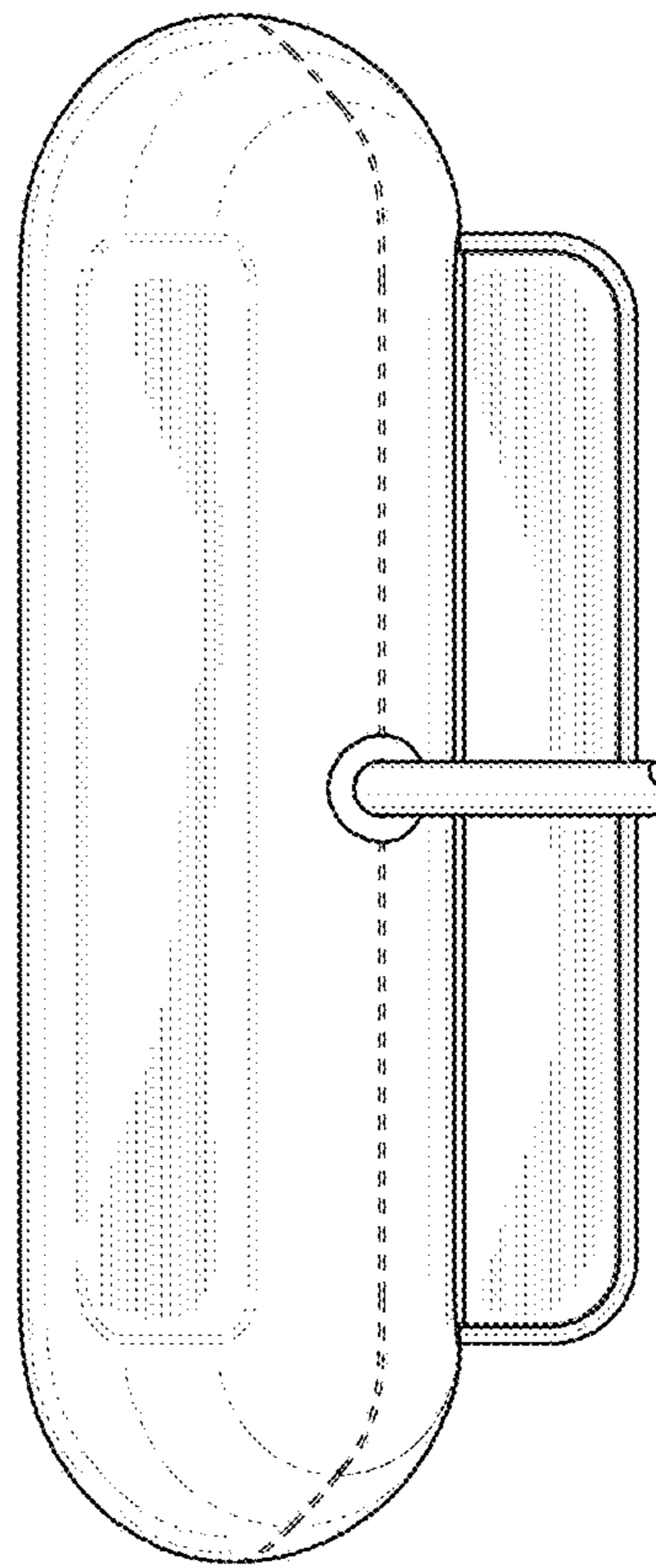


FIG. 14

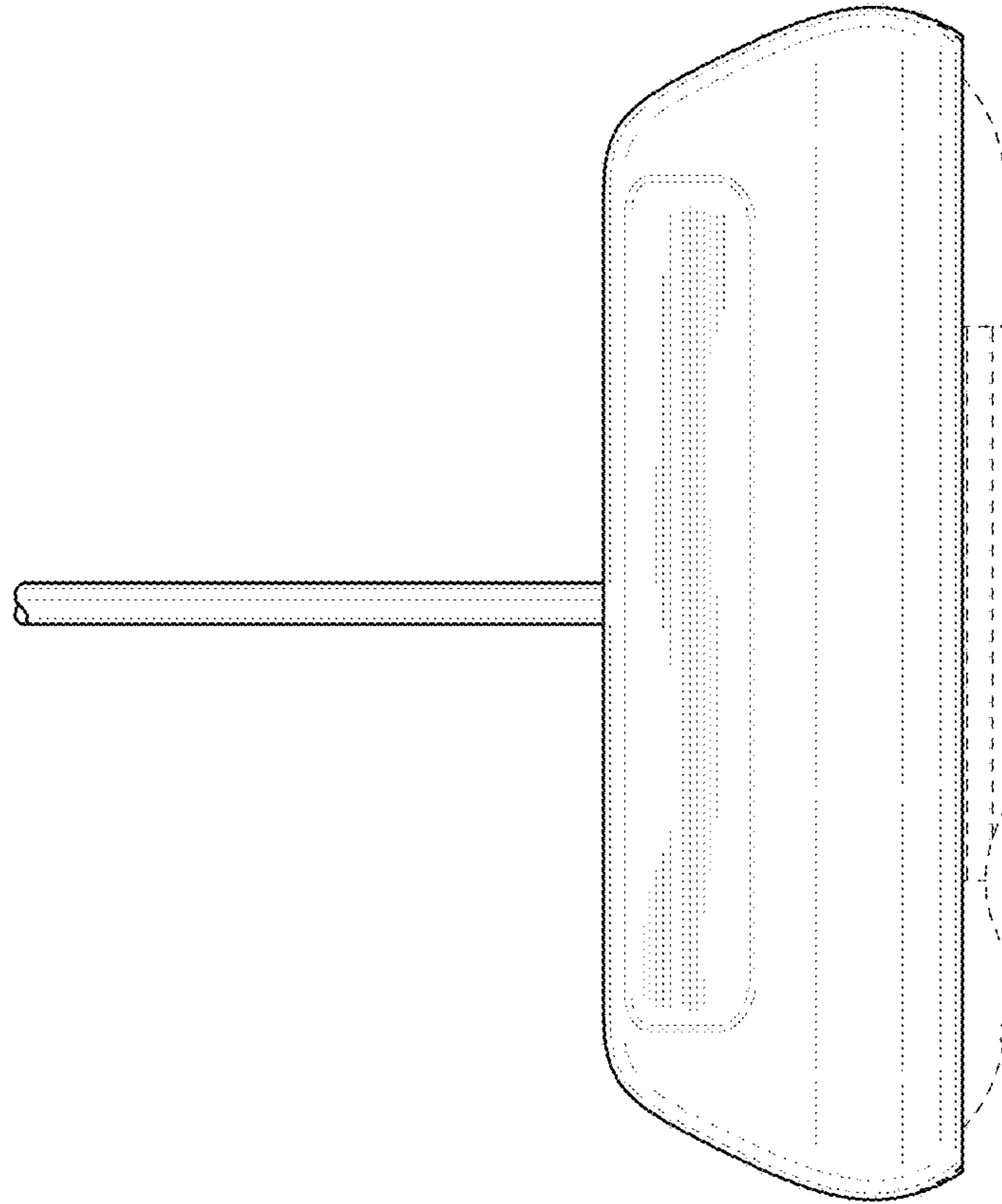


FIG. 15

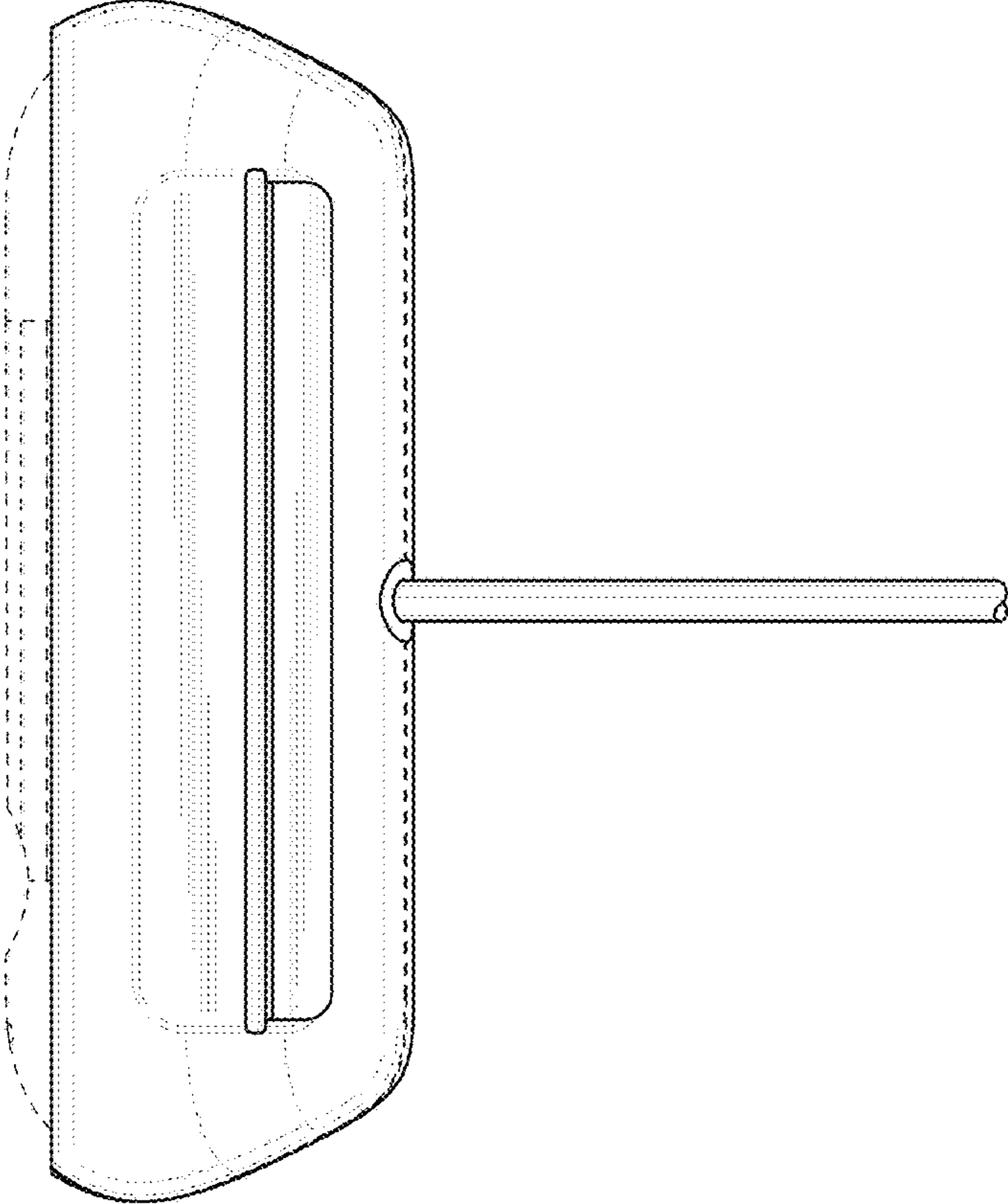


FIG. 16

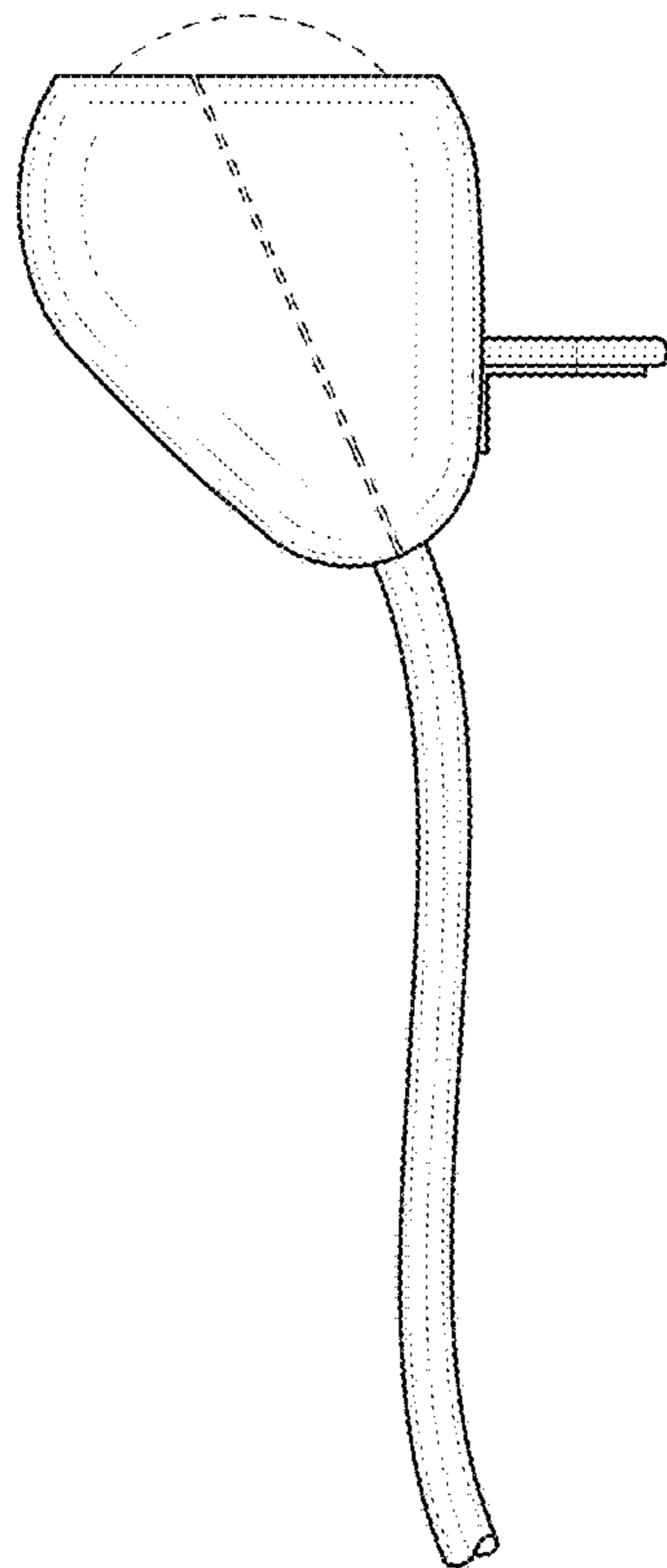


FIG. 17

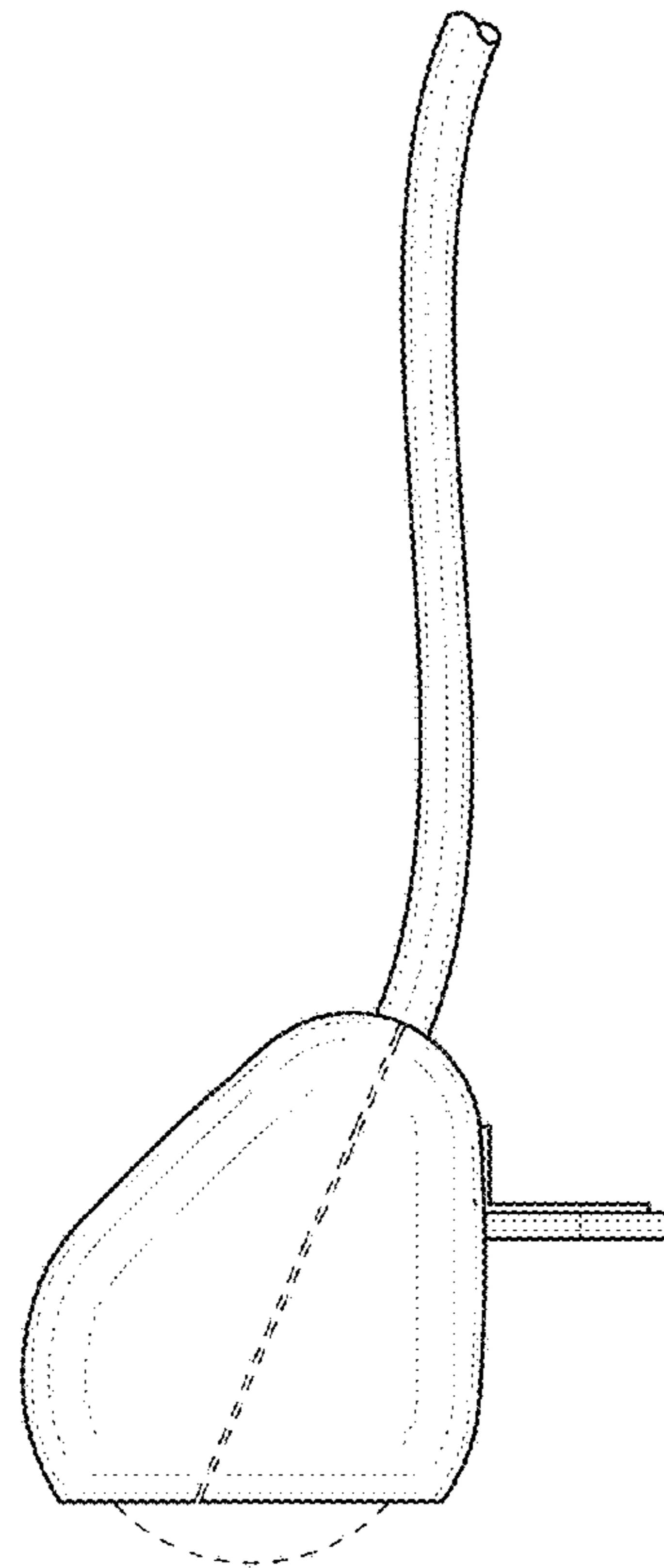


FIG. 18

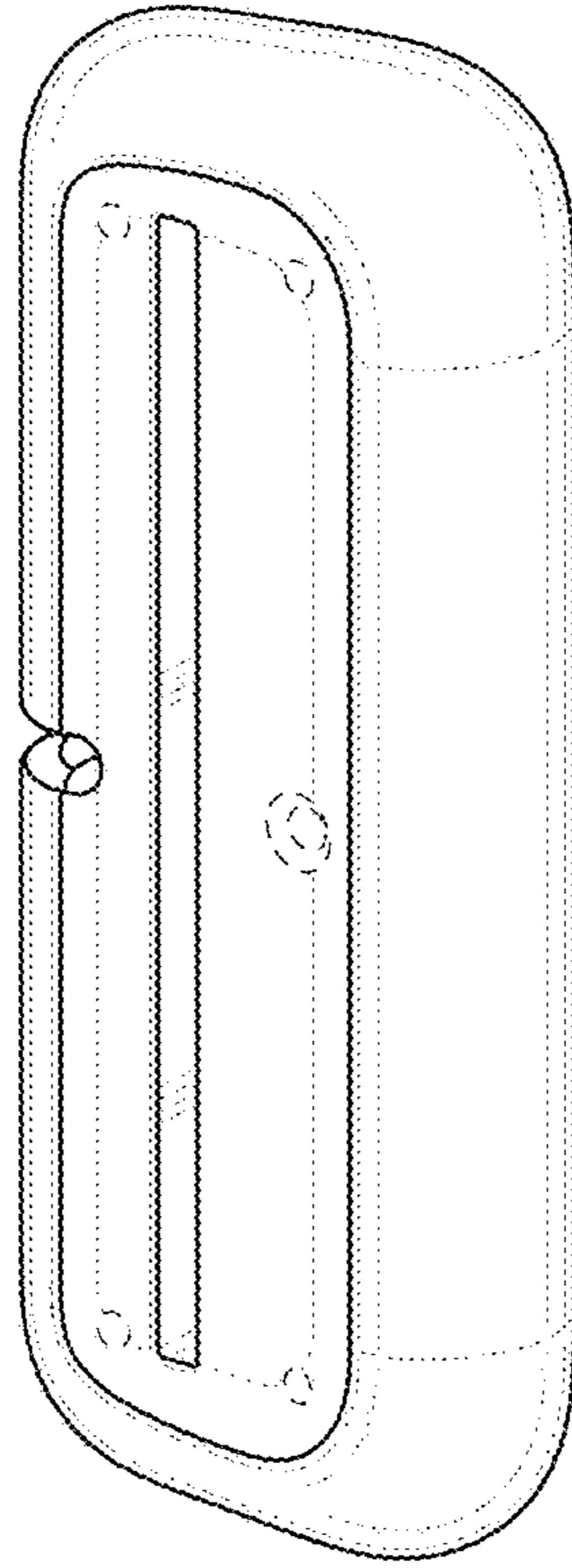


FIG. 20

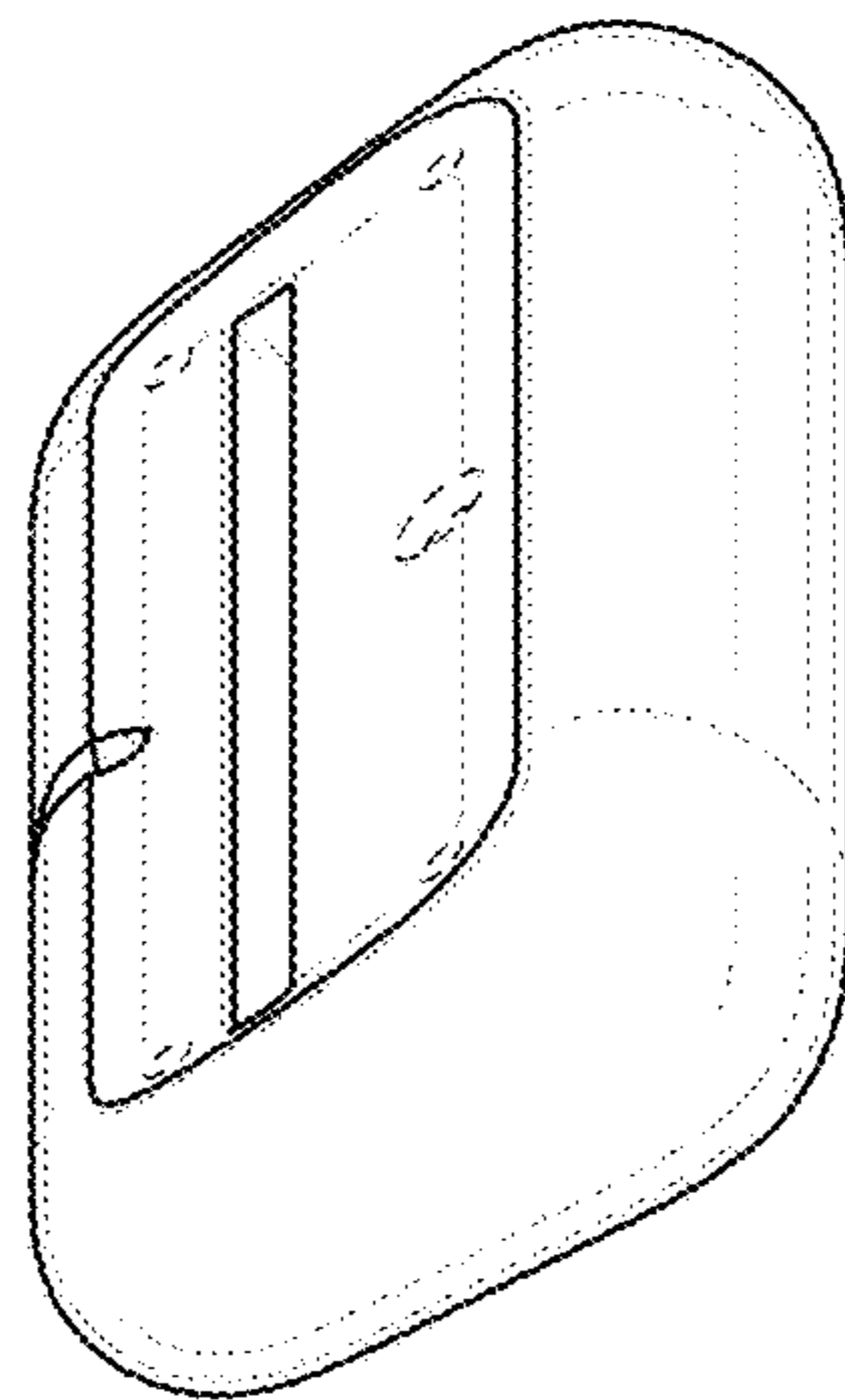


FIG. 19

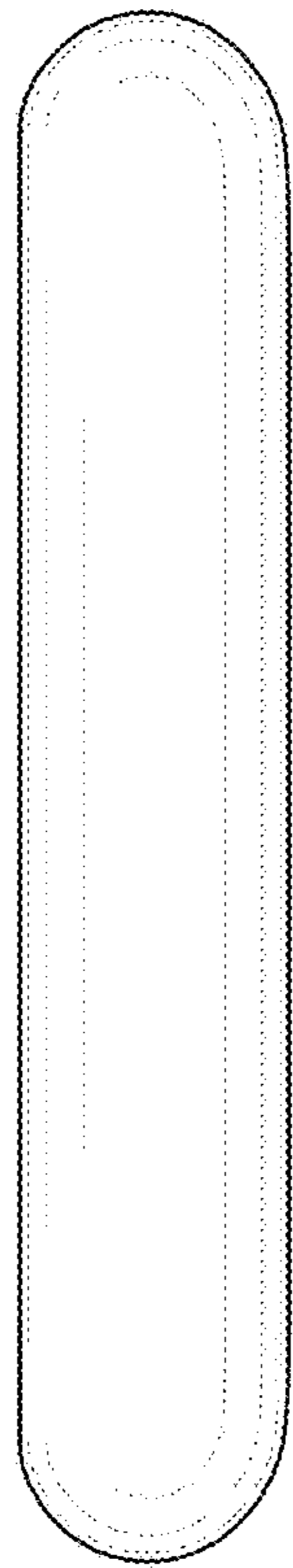


FIG. 21

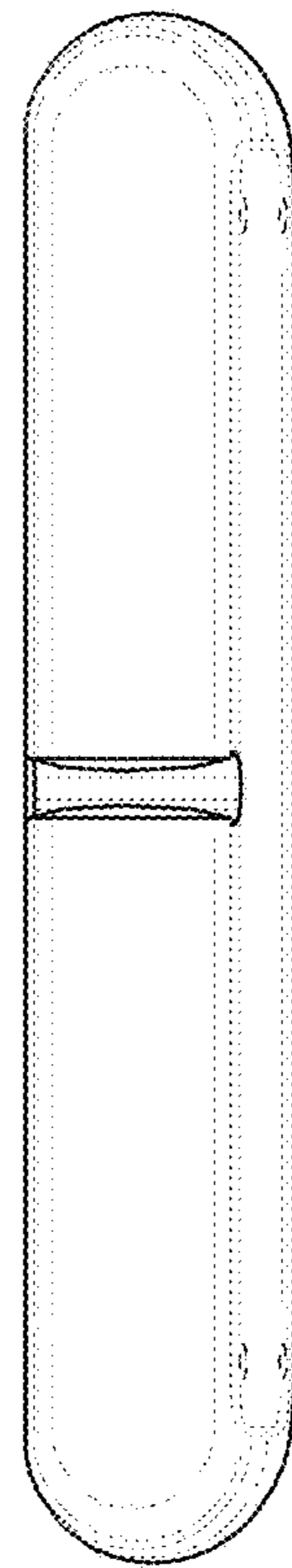


FIG. 22

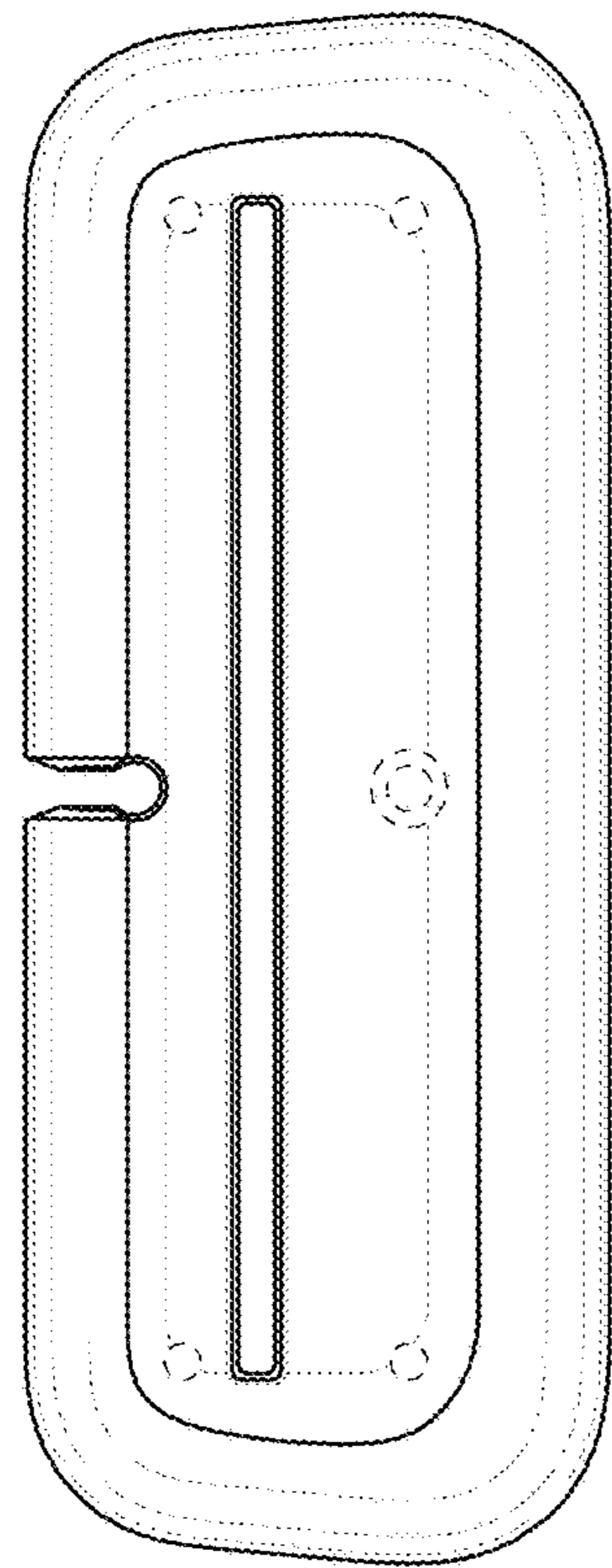


FIG. 23

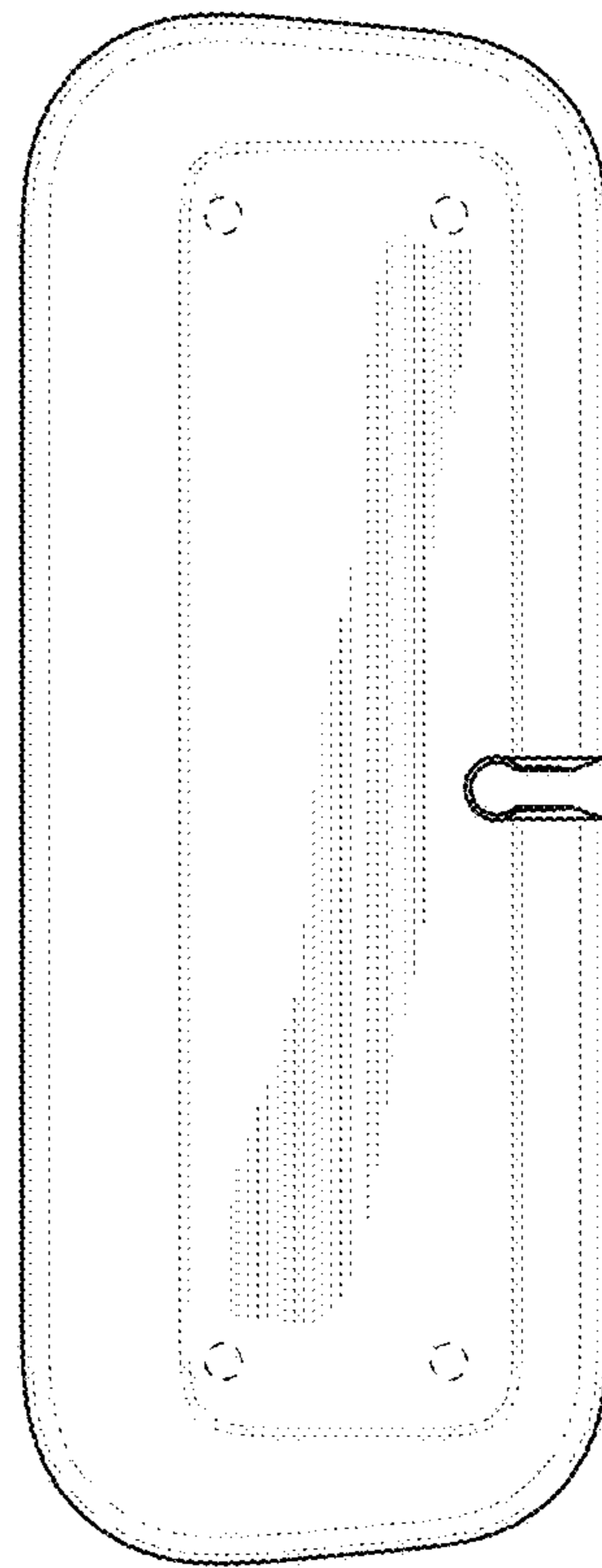


FIG. 24

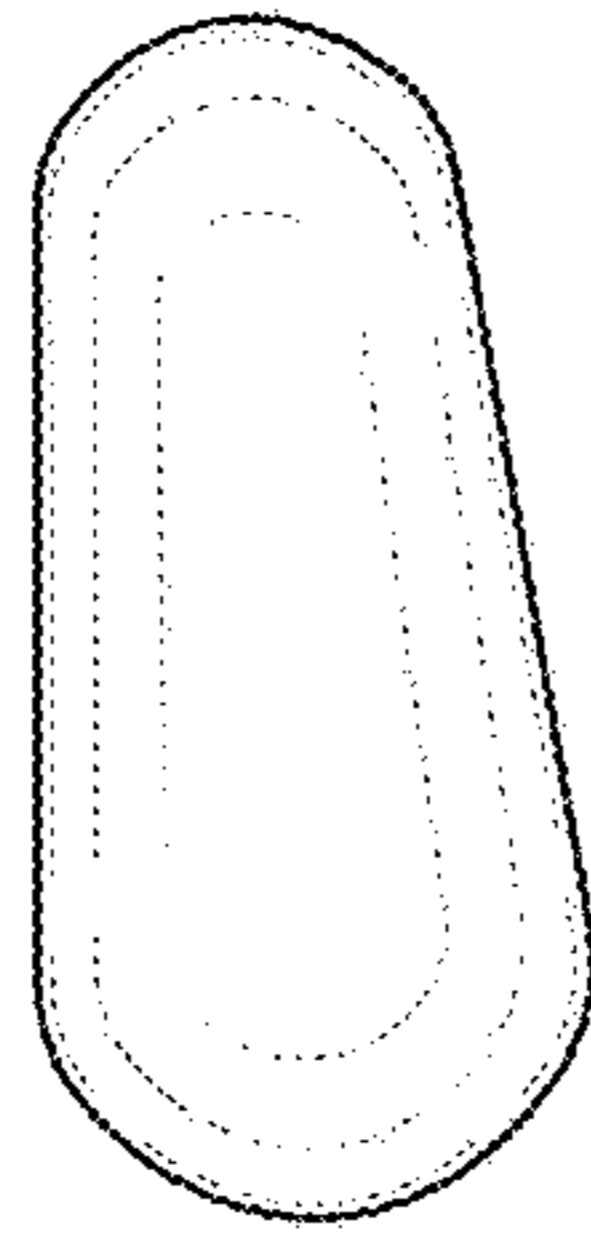


FIG. 26

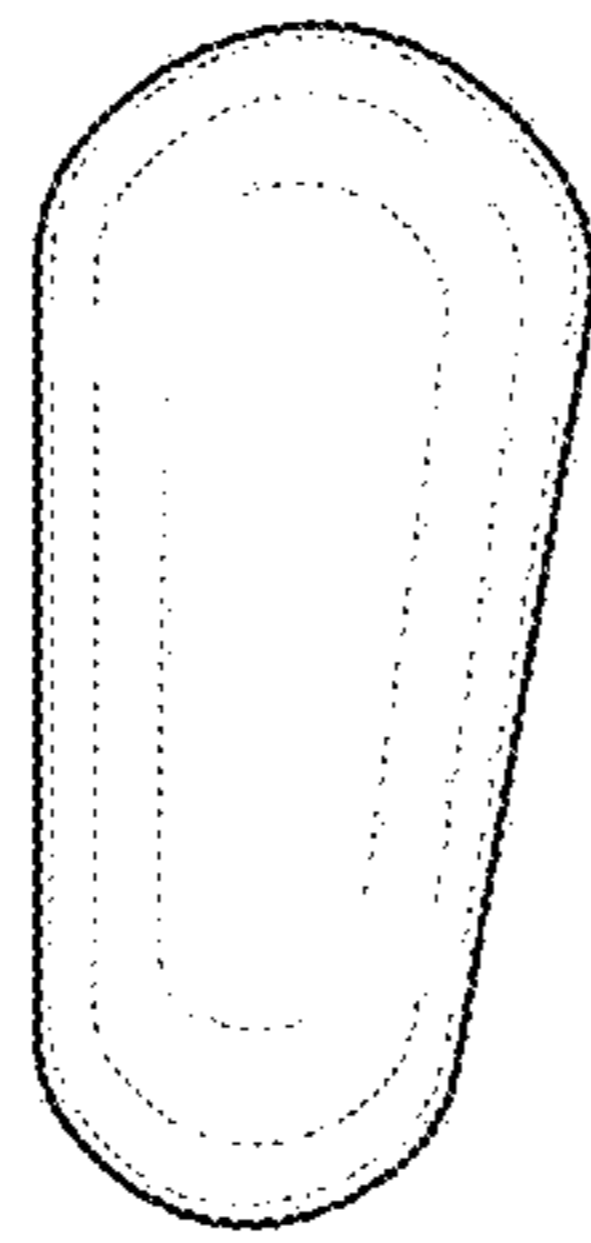


FIG. 25