



US00D867418S

(12) **United States Design Patent** (10) **Patent No.:** **US D867,418 S**
Sakai (45) **Date of Patent:** **** Nov. 19, 2019**

(54) **BINOCULARS**
(71) Applicant: **FUJIFILM Corporation**, Tokyo (JP)
(72) Inventor: **Hiroyuki Sakai**, Saitama (JP)
(73) Assignee: **FUJIFILM Corporation**, Tokyo (JP)
(**) Term: **15 Years**
(21) Appl. No.: **29/643,843**
(22) Filed: **Apr. 12, 2018**

(30) **Foreign Application Priority Data**

Oct. 13, 2017 (JP) 2017-022688
(51) **LOC (12) Cl.** **16-06**
(52) **U.S. Cl.**
USPC **D16/133**
(58) **Field of Classification Search**
USPC D16/130, 133, 136, 237
CPC G02B 23/00; G02B 23/18
See application file for complete search history.

(56) **References Cited**

U.S. PATENT DOCUMENTS

D306,606 S * 3/1990 Yamanaka D16/133
D365,831 S * 1/1996 Miyahara D16/133
D365,832 S * 1/1996 Miyahara D16/133
D376,164 S * 12/1996 Hasegawa D16/133
D376,167 S * 12/1996 Hayamizu D16/133
D413,131 S * 8/1999 Koinuma D16/133
D428,031 S * 7/2000 Inaba D16/133

D430,586 S * 9/2000 Inaba D16/133
D469,455 S * 1/2003 Yanagisawa D16/133
D484,899 S * 1/2004 Yanagisawa D16/133
D487,761 S * 3/2004 Hamamura D16/133
D508,707 S * 8/2005 Hayashi D16/133
D521,540 S * 5/2006 Nagaoka D16/133
D522,551 S * 6/2006 Hayashi D16/133
D669,107 S * 10/2012 Yoneda D16/133
2011/0069386 A1 * 3/2011 Noguchi G02B 23/18
359/480
2012/0194904 A1 * 8/2012 Noguchi G02B 25/004
359/416

* cited by examiner

Primary Examiner — Holly E Thurman

(74) *Attorney, Agent, or Firm* — Birch, Stewart, Kolasch & Birch, LLP

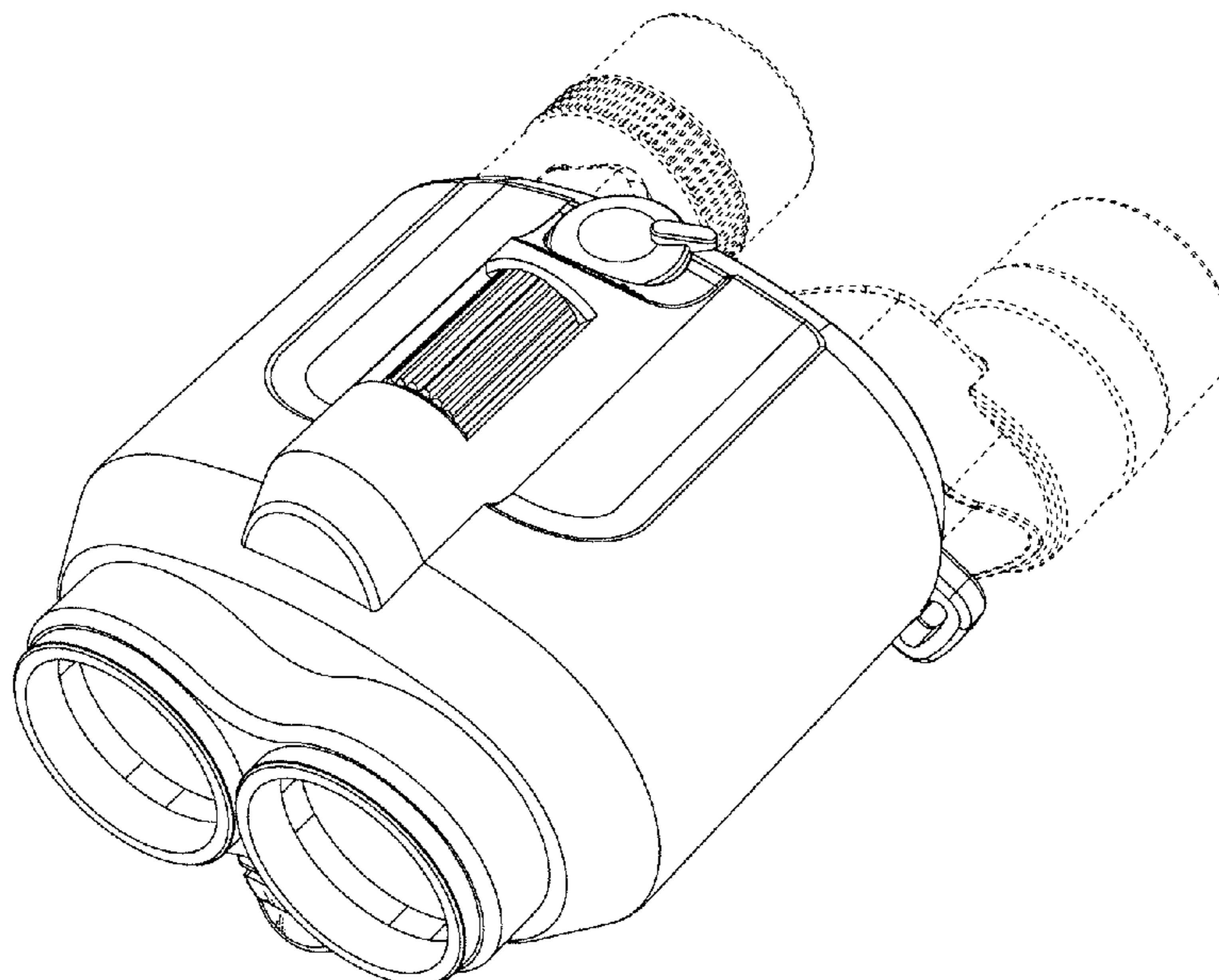
(57) **CLAIM**

The ornamental design for binoculars, as shown and described.

DESCRIPTION

FIG. 1 is a perspective view of a binoculars, showing the new design;
FIG. 2 is a front view thereof;
FIG. 3 is a rear view thereof;
FIG. 4 is a top view thereof;
FIG. 5 is a bottom view thereof;
FIG. 6 is a left view thereof; and,
FIG. 7 is a right view thereof.
The broken lines depict portions of the binoculars that form no part of the claimed design.

1 Claim, 7 Drawing Sheets



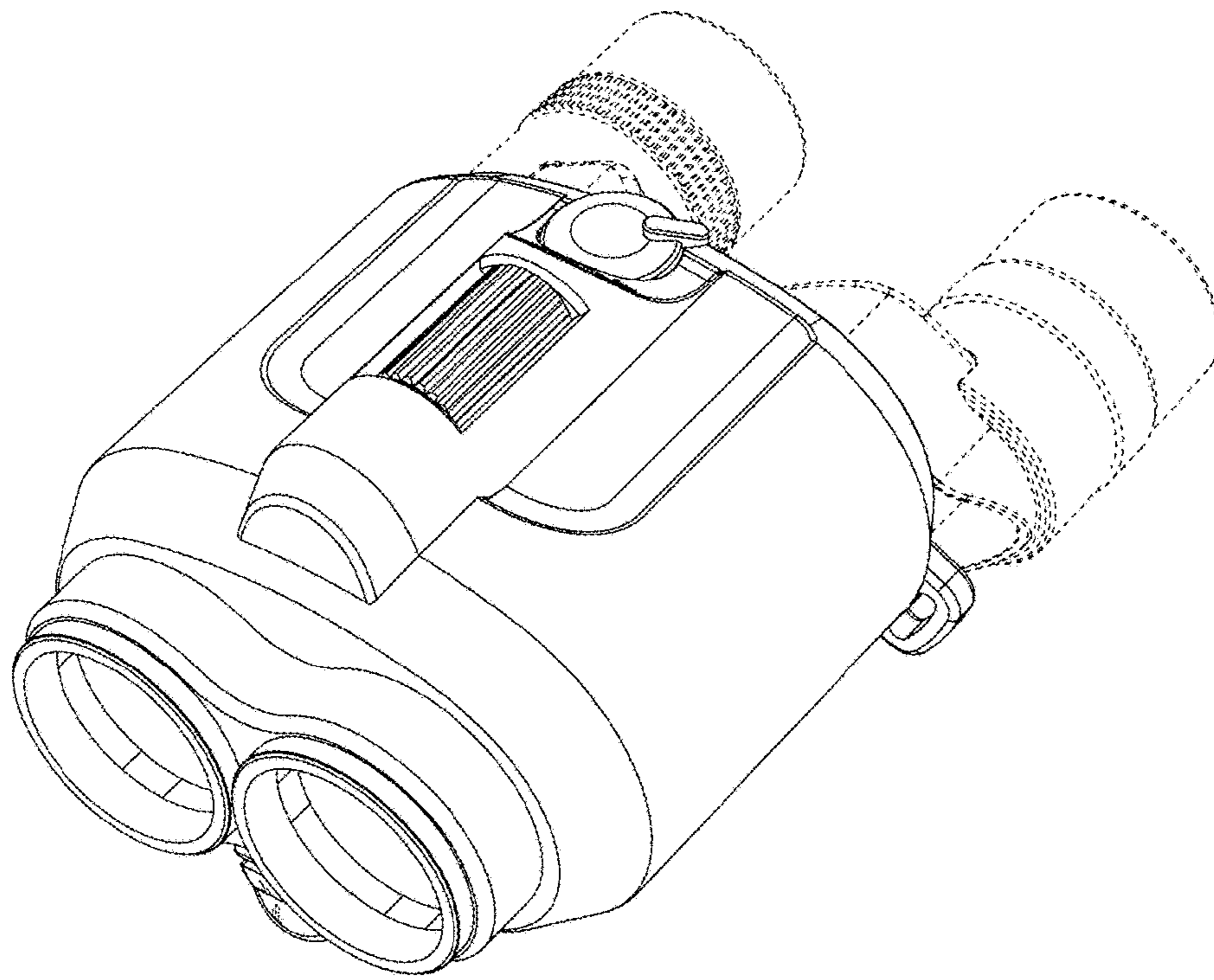


FIG.1

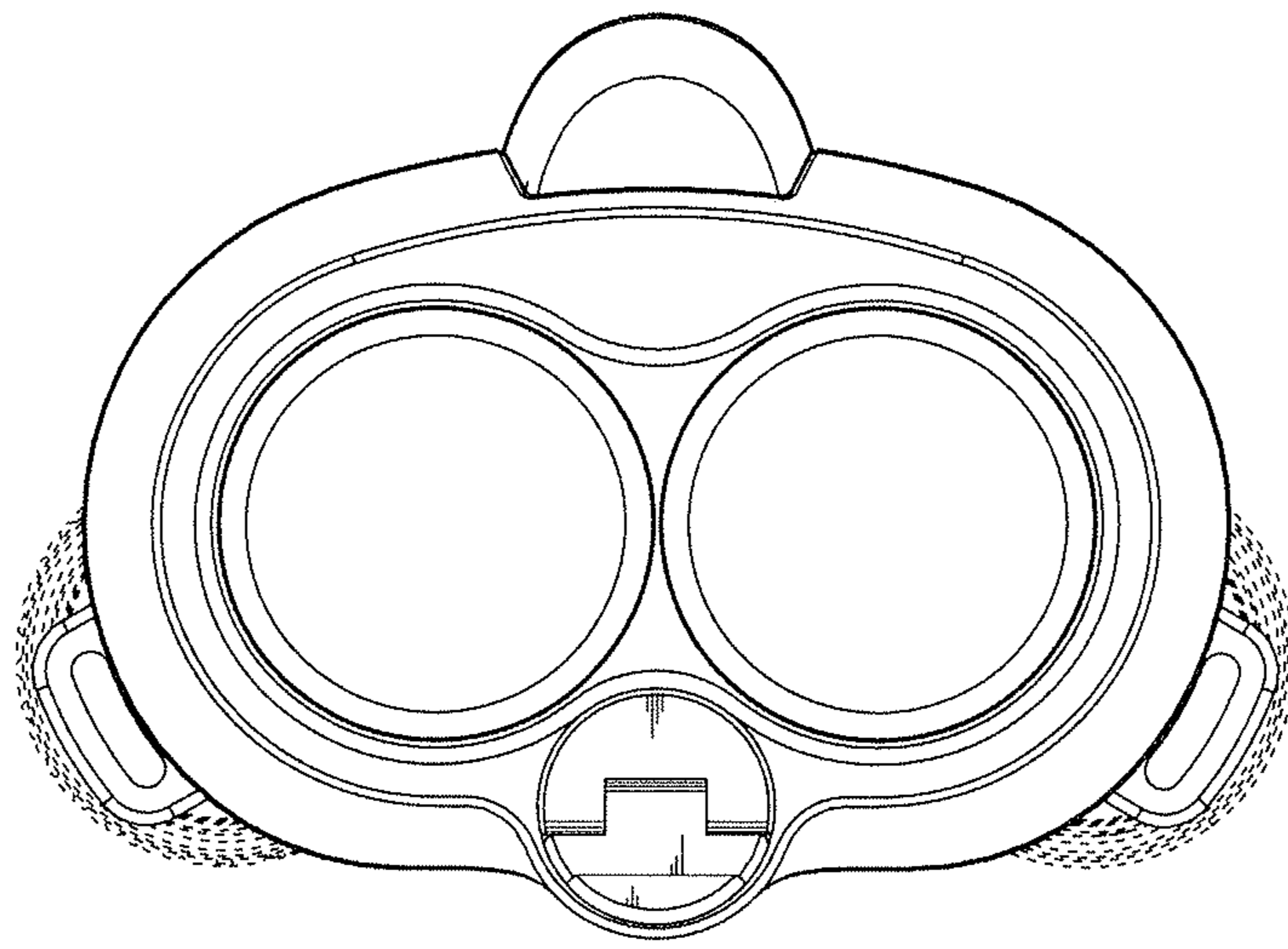


FIG.2

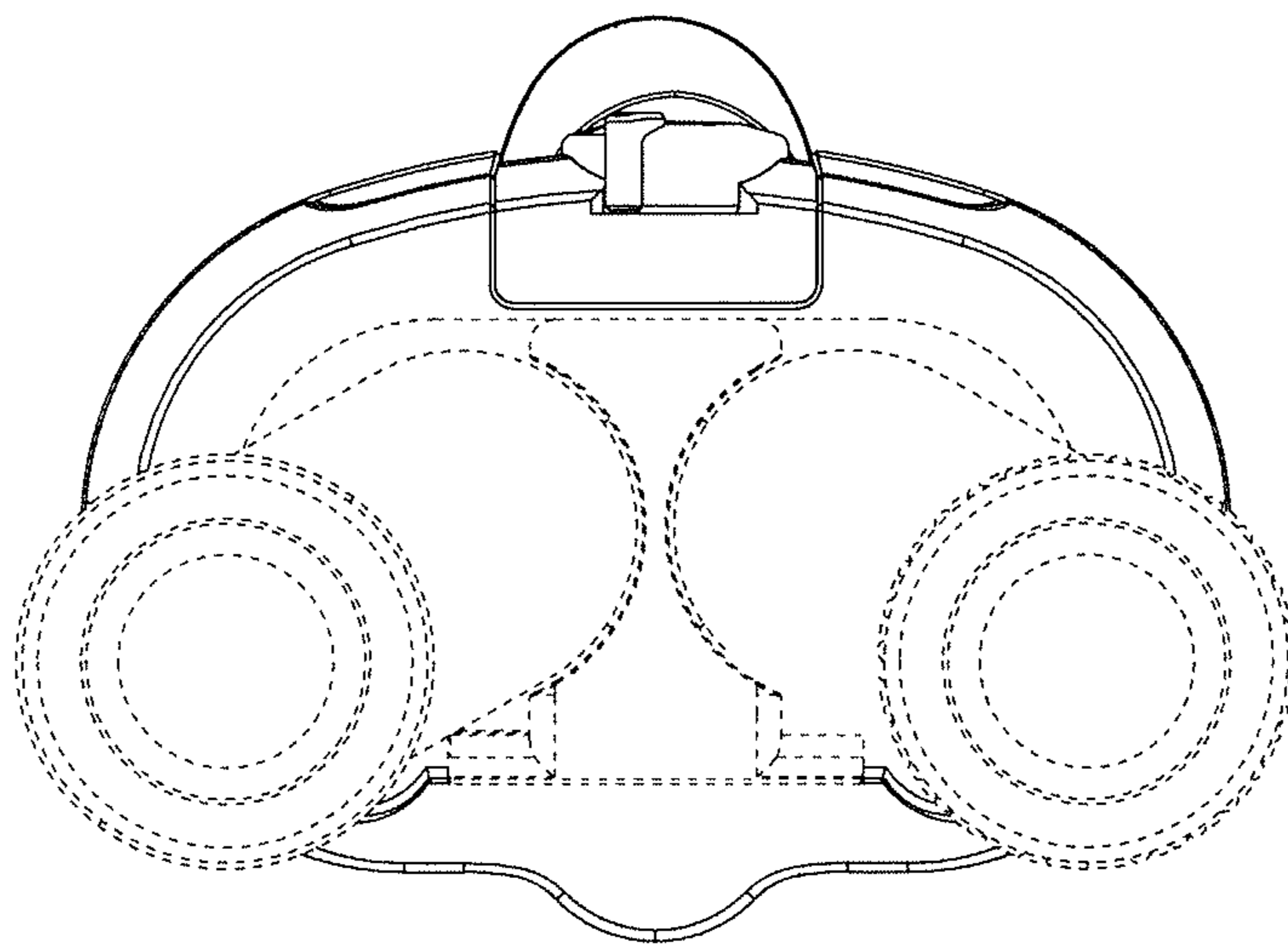


FIG.3

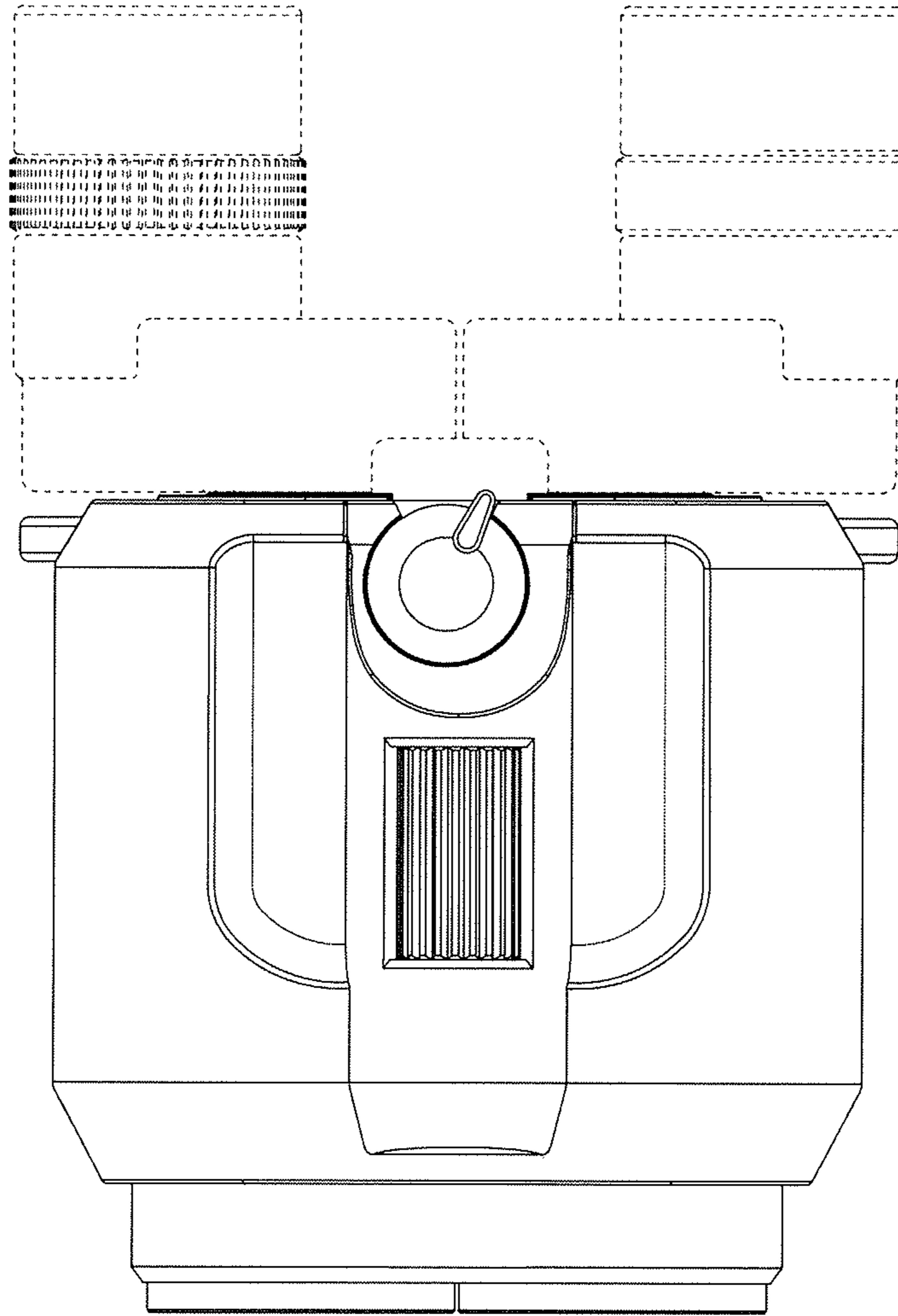


FIG.4

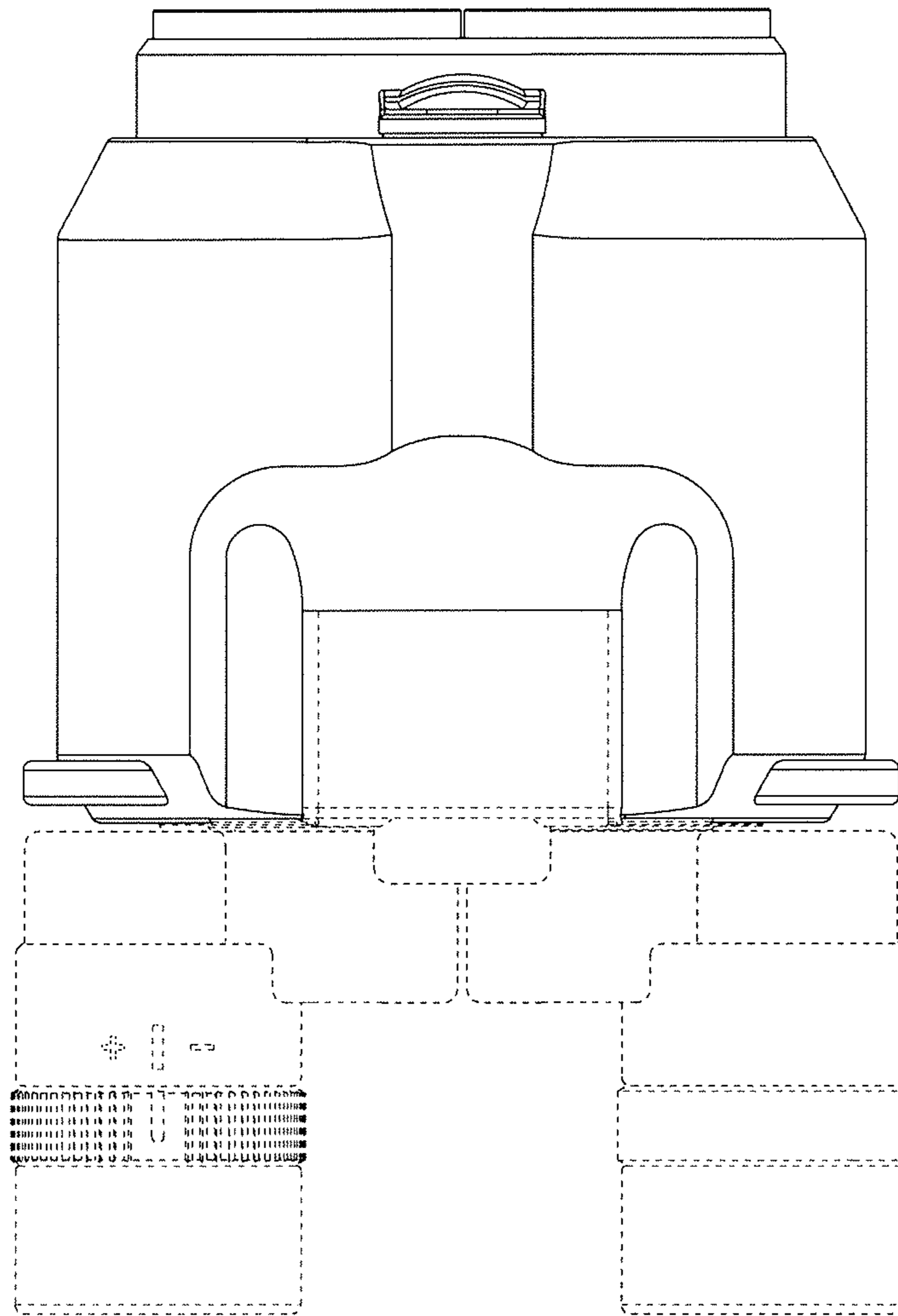


FIG.5

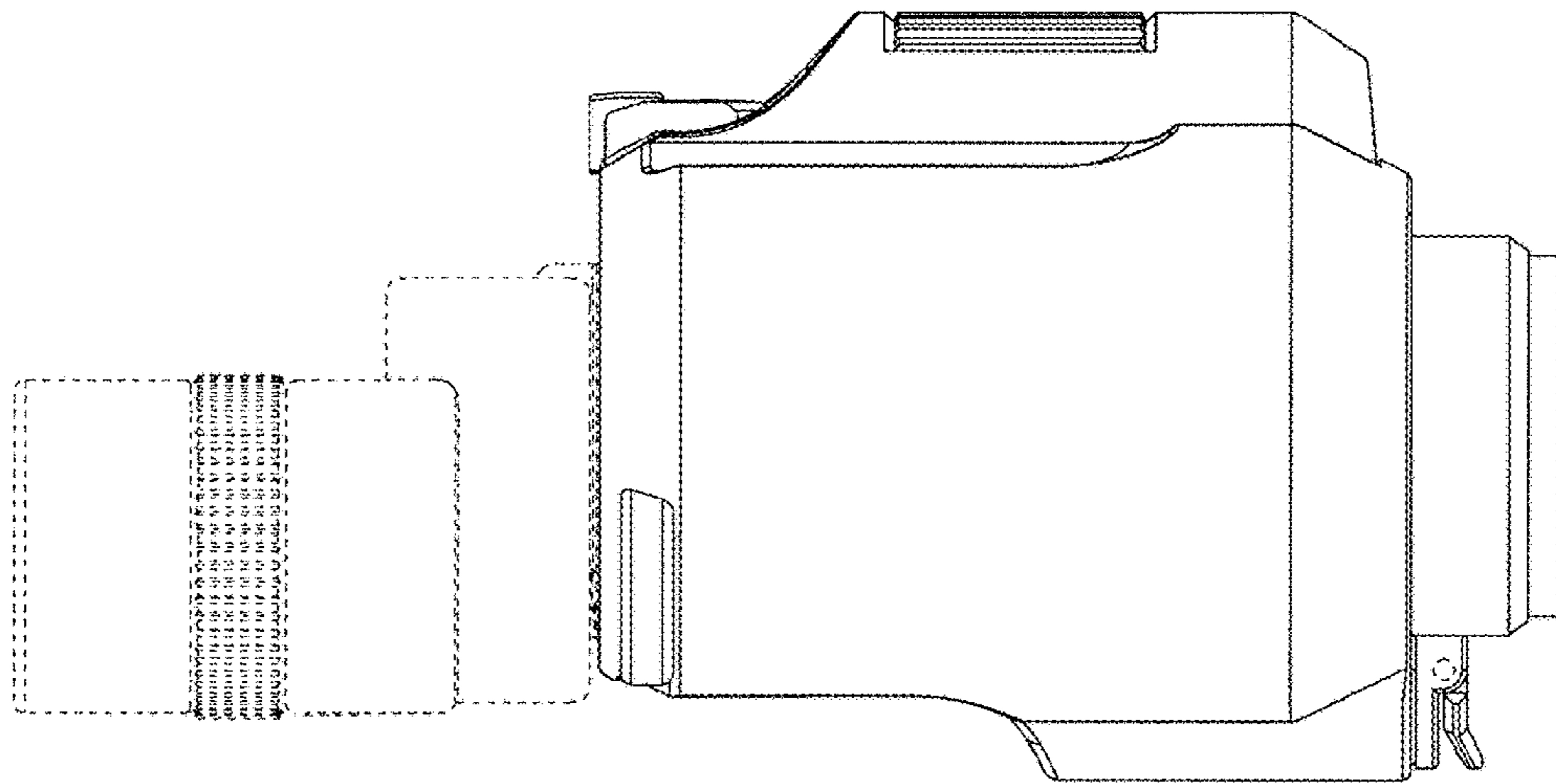


FIG.6

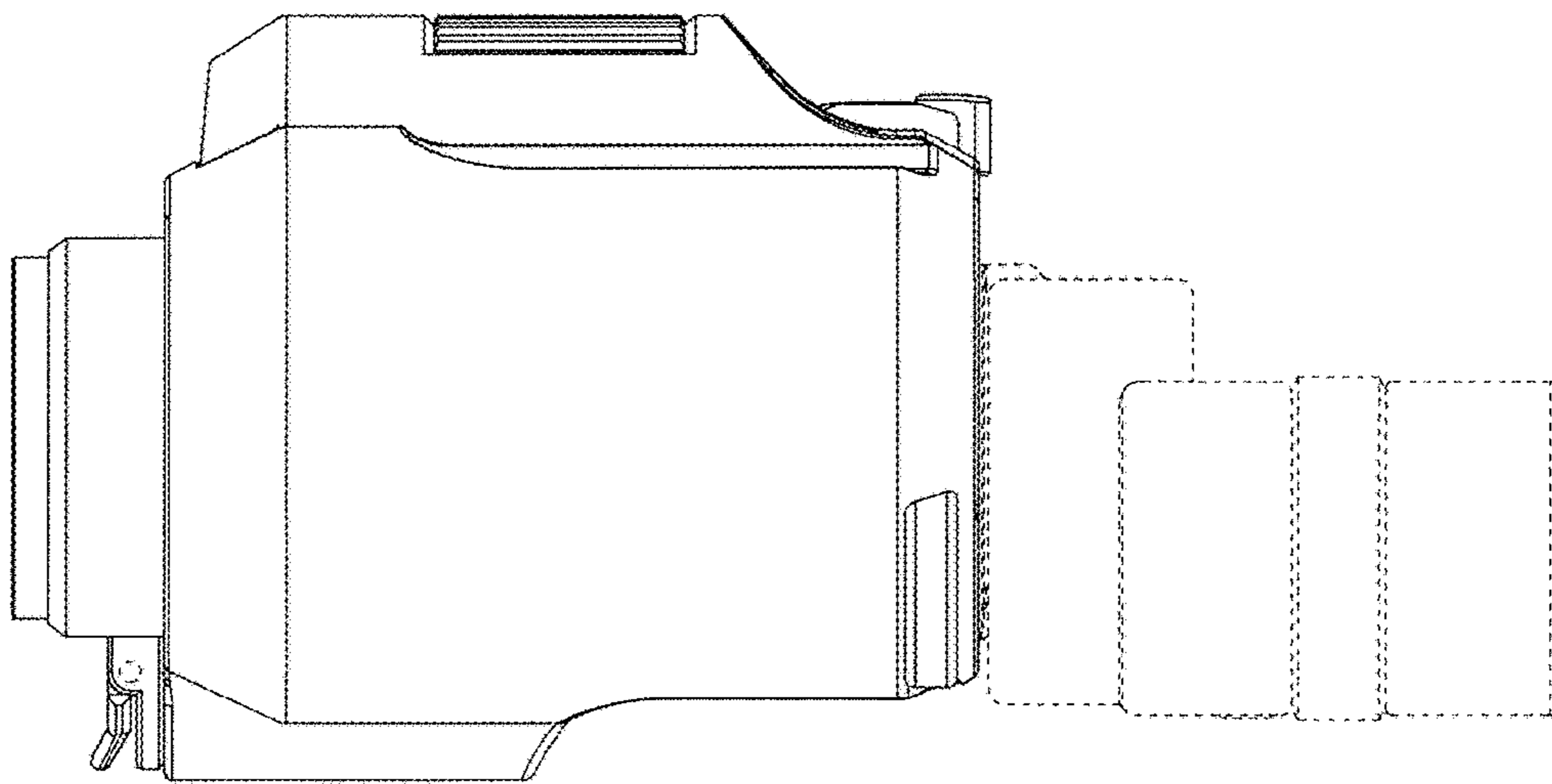


FIG.7