

US00D867416S

(12) **United States Design Patent**
Radau et al.

(10) **Patent No.:** **US D867,416 S**

(45) **Date of Patent:** **** Nov. 19, 2019**

(54) **BINOCULAR**

(71) Applicant: **Carl Zeiss AG**, Oberkochen (DE)

(72) Inventors: **Nils Radau**, Salzburg (AT); **Florian Quertinmont**, Le Chesnay (FR)

(73) Assignee: **Carl Zeiss AG**, Oberkochen (DE)

(**) Term: **15 Years**

(21) Appl. No.: **29/610,324**

(22) Filed: **Jul. 11, 2017**

(30) **Foreign Application Priority Data**

Jan. 16, 2017 (EM) 003641075-0001

Jan. 16, 2017 (EM) 003641075-0002

(51) **LOC (12) Cl.** **16-06**

(52) **U.S. Cl.**
USPC **D16/133**

(58) **Field of Classification Search**
USPC D16/130, 133, 136, 237

(Continued)

(56) **References Cited**

U.S. PATENT DOCUMENTS

D238,304 S * 12/1975 Hengst et al. D16/133

D240,458 S * 7/1976 Kirigaya et al. D16/133

(Continued)

FOREIGN PATENT DOCUMENTS

AT 4714/1996 2/1997

CN 94310089.5 10/1995

(Continued)

Primary Examiner — Holly E Thurman

(74) *Attorney, Agent, or Firm* — Walter Ottesen, P.A.

(57) **CLAIM**

The ornamental design for a binocular, as shown and described.

DESCRIPTION

The patent or application file contains at least one drawing executed in color. Copies of this patent or patent application publication with color drawing(s) will be provided by the Office upon request and payment of the necessary fee.

FIG. 1 is a first perspective view of a first embodiment of the binocular of our new design;

FIG. 2 is a second perspective view of the binocular of FIG. 1;

FIG. 3 is a front elevation view of the binocular of FIG. 1;

FIG. 4 is a rear elevation view of the binocular of FIG. 1;

FIG. 5 is a top plan view of the binocular of FIG. 1;

FIG. 6 is a bottom plan view of the binocular of FIG. 1;

FIG. 7 is a right side elevation view of the binocular of FIG. 1;

FIG. 8 is a left side elevation view of the binocular of FIG. 1;

FIG. 9 is a first perspective view of a second embodiment of the binocular of our new design;

FIG. 10 is a second perspective view of the binocular of FIG. 9;

FIG. 11 is a front elevation view of the binocular of FIG. 9;

FIG. 12 is a rear elevation view of the binocular of FIG. 9;

FIG. 13 is a top plan view of the binocular of FIG. 9;

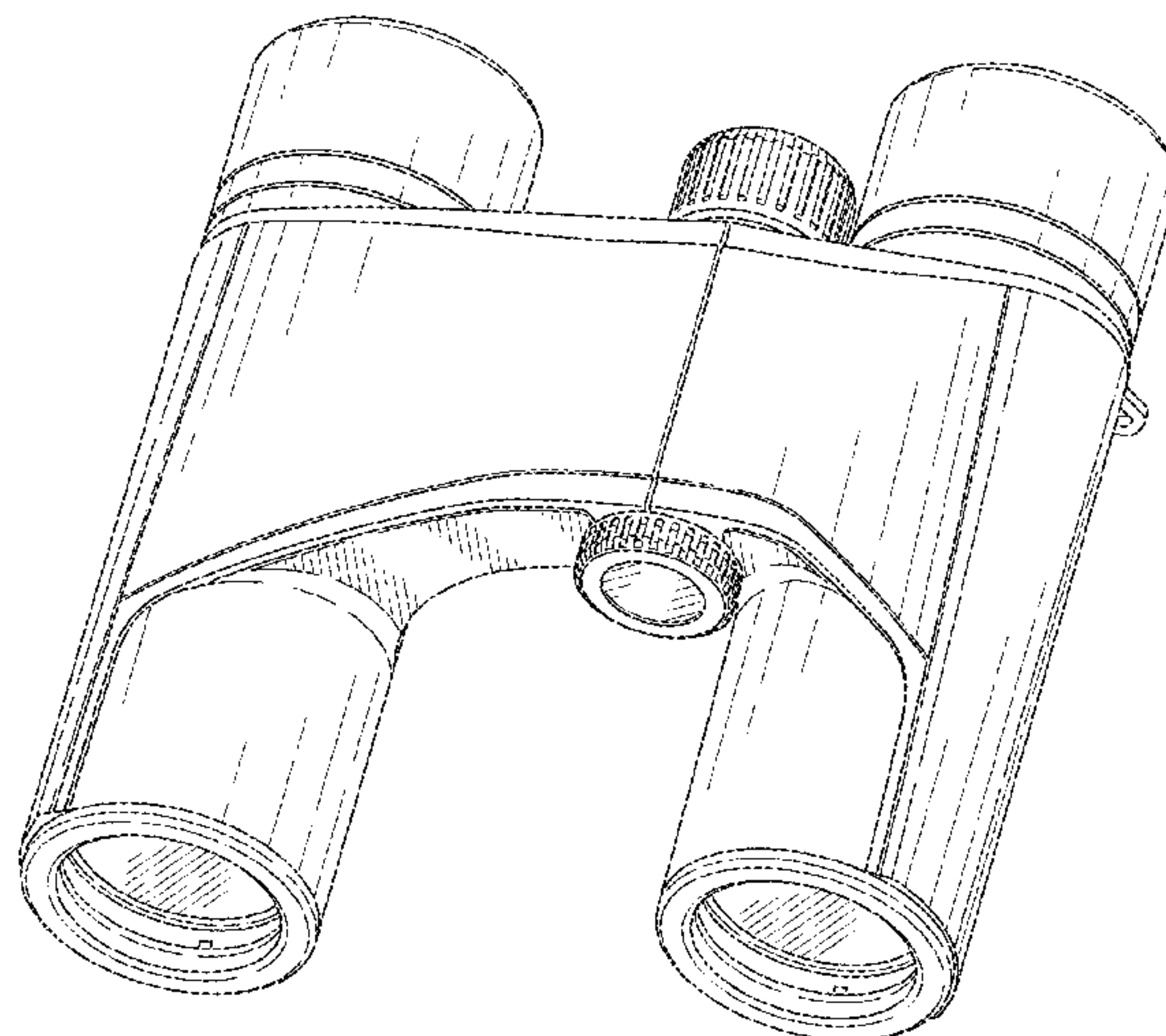
FIG. 14 is a bottom plan view of the binocular of FIG. 9;

FIG. 15 is a right side elevation view of the binocular of FIG. 9; and,

FIG. 16 is a left side elevation view of the binocular of FIG. 9.

The broken lines in FIG. 6 depict a portion of the binocular that forms no part of the claimed design.

1 Claim, 12 Drawing Sheets
(6 of 12 Drawing Sheet(s) Filed in Color)



US D867,416 S

Page 2

(58) **Field of Classification Search**
CPC G02B 23/00
See application file for complete search history.

(56) **References Cited**

U.S. PATENT DOCUMENTS

4,087,153 A * 5/1978 Hengst G02B 7/06
359/416
4,186,992 A * 2/1980 Kamakura G02B 7/06
359/408
D255,364 S * 6/1980 Lange D16/133
D256,024 S * 7/1980 Noda et al.
D287,369 S * 12/1986 Janke D16/133
D299,724 S * 2/1989 Aoki D16/133
D330,038 S 10/1992 Ratzlaff
D387,077 S * 12/1997 Lee D16/133
D392,986 S 3/1998 Katou
D395,055 S * 6/1998 Lee D16/133
D410,241 S 5/1999 Koinuma
D412,921 S * 8/1999 Hayamizu D16/133
6,088,053 A * 7/2000 Hammack G02B 23/18
348/61
D440,584 S * 4/2001 Lee D16/133
6,476,963 B1 * 11/2002 Chen G02B 23/18
359/363
D473,248 S * 4/2003 Ono D16/133
D492,711 S 7/2004 Watanabe
D507,289 S * 7/2005 Meinzer D16/133
D509,522 S * 9/2005 Ueda D16/133
D510,097 S 9/2005 Meinzer
D513,026 S * 12/2005 Yanai D16/133
D519,538 S 4/2006 Hayamizu
D552,140 S * 10/2007 Tonegawa D16/133
D590,856 S * 4/2009 Hayamizu D16/133
D590,857 S * 4/2009 Fujii D16/133
D627,378 S 11/2010 Watanabe
D660,895 S 5/2012 Fischbach
D681,709 S 5/2013 Radau et al.
D684,202 S 6/2013 Radau et al.
D687,081 S 6/2013 Radau et al.
D693,867 S 11/2013 Radau et al.

D700,644 S 3/2014 Asano et al.
D706,848 S * 6/2014 Kobayashi G02B 23/00
D16/133
D713,437 S * 9/2014 Soejima D16/133
D719,201 S 12/2014 Marsiglia
D748,177 S 1/2016 Radau
D780,243 S 2/2017 Marsiglia
D783,073 S 4/2017 Radau
2003/0095330 A1 * 5/2003 Aikawa G02B 23/18
359/410

FOREIGN PATENT DOCUMENTS

CN 94311098.X 11/1995
CN 95310265.3 3/1997
CN 97315622.8 9/1998
CN 98314406.0 2/1999
CN 99336779.8 6/2000
CN 00349501.9 8/2001
CN 01339844.X 7/2002
CN 02319563.0 9/2002
CN 03301654.2 9/2003
CN 200130222190.9 2/2012
CN 201630026174.5 7/2016
DE M9705380-0001 12/1997
DE 40104062-0001 11/2001
DE 40104062-0002 11/2001
DE 40104062-0003 11/2001
EM 000215389-0001 8/2004
EM 000215389-0002 8/2004
EM 000487236-0001 3/2006
EM 000844766-0001 12/2007
EM 000844972-0001 2/2008
EM 001091235-0001 2/2009
EM 002735829-0001 7/2015
EM 003568641-0001 1/2017
GB 2032504 7/1993
GB 2041166 8/1994
GB 2061758 8/1996
GB 2061759 8/1996
WO DM004117 8/1984

* cited by examiner

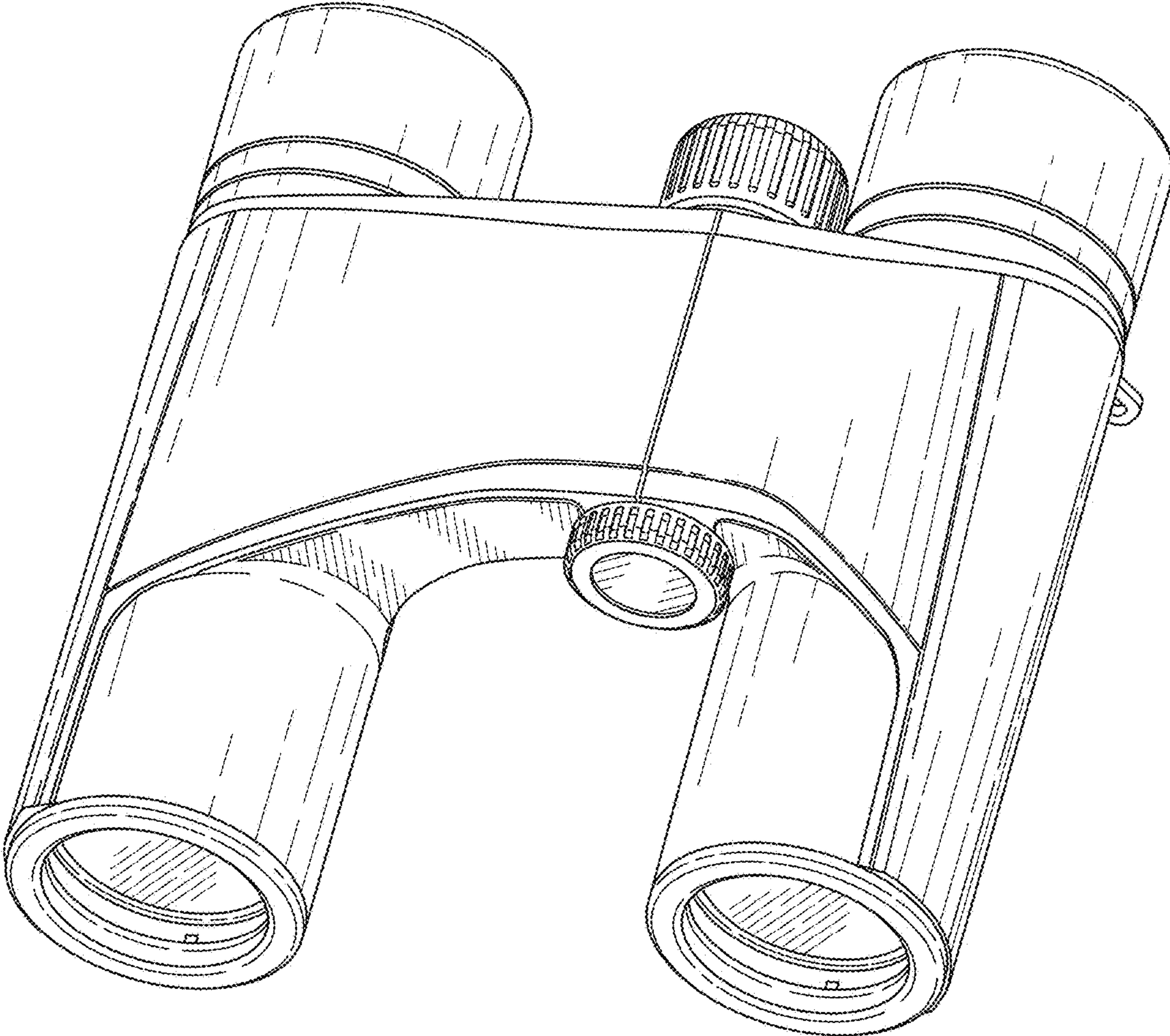


FIG. 1

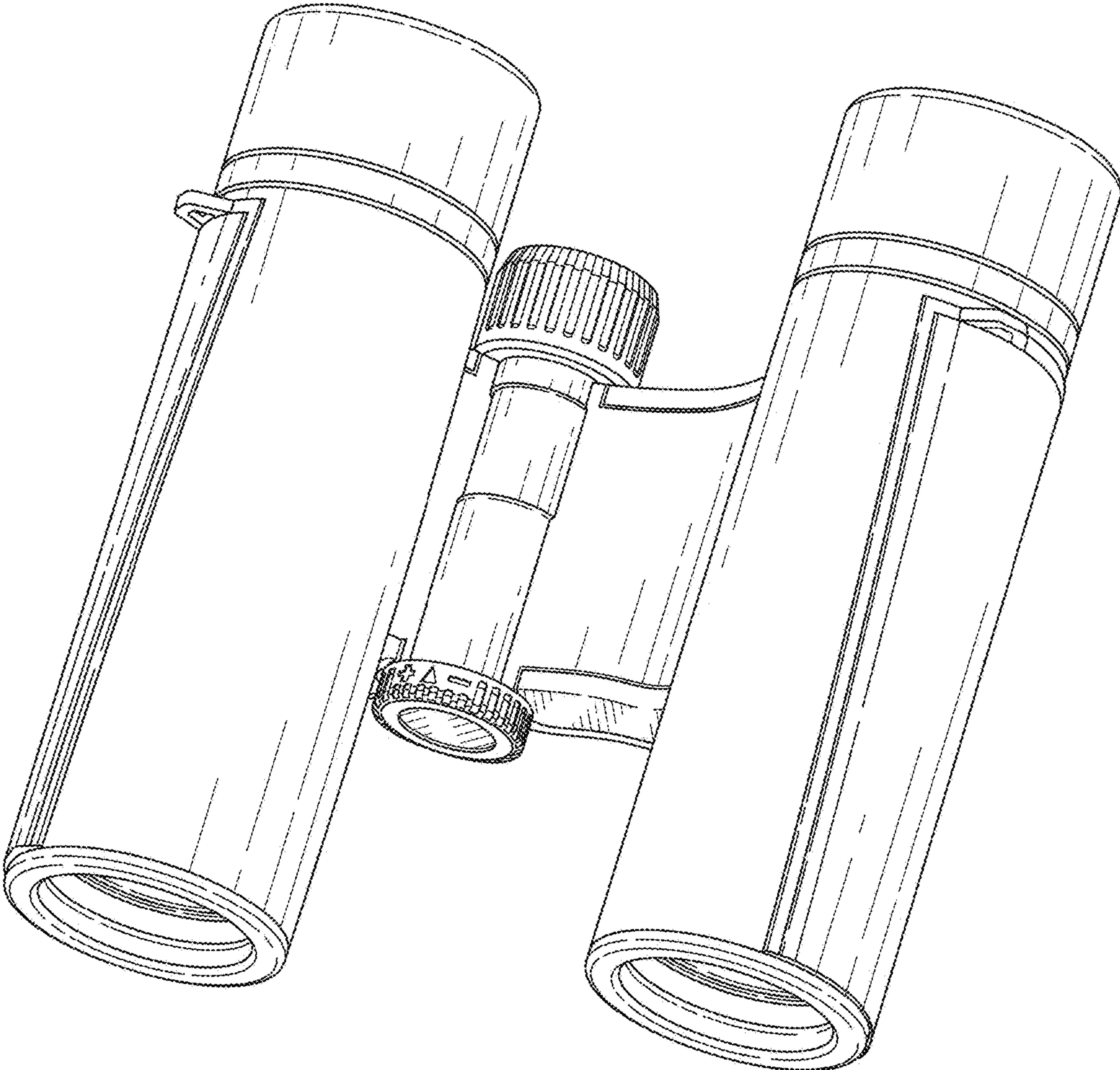


FIG. 2

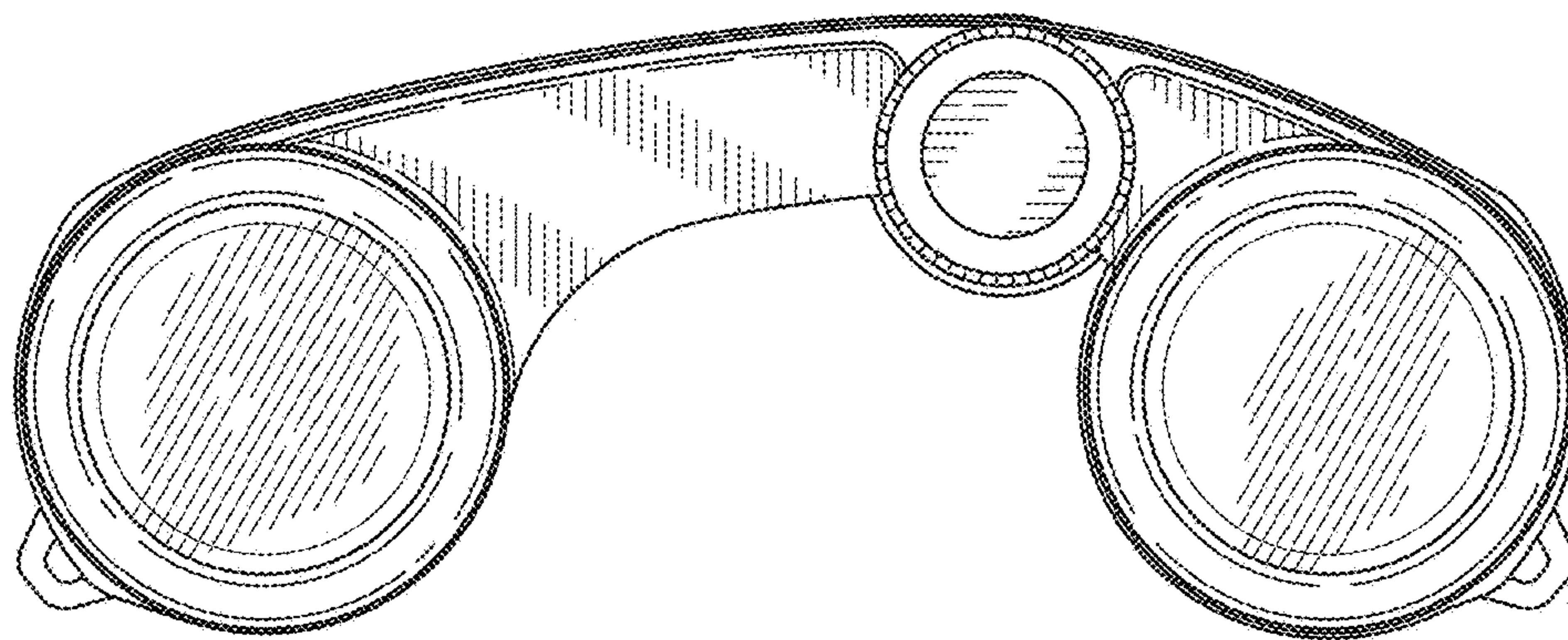


FIG. 3

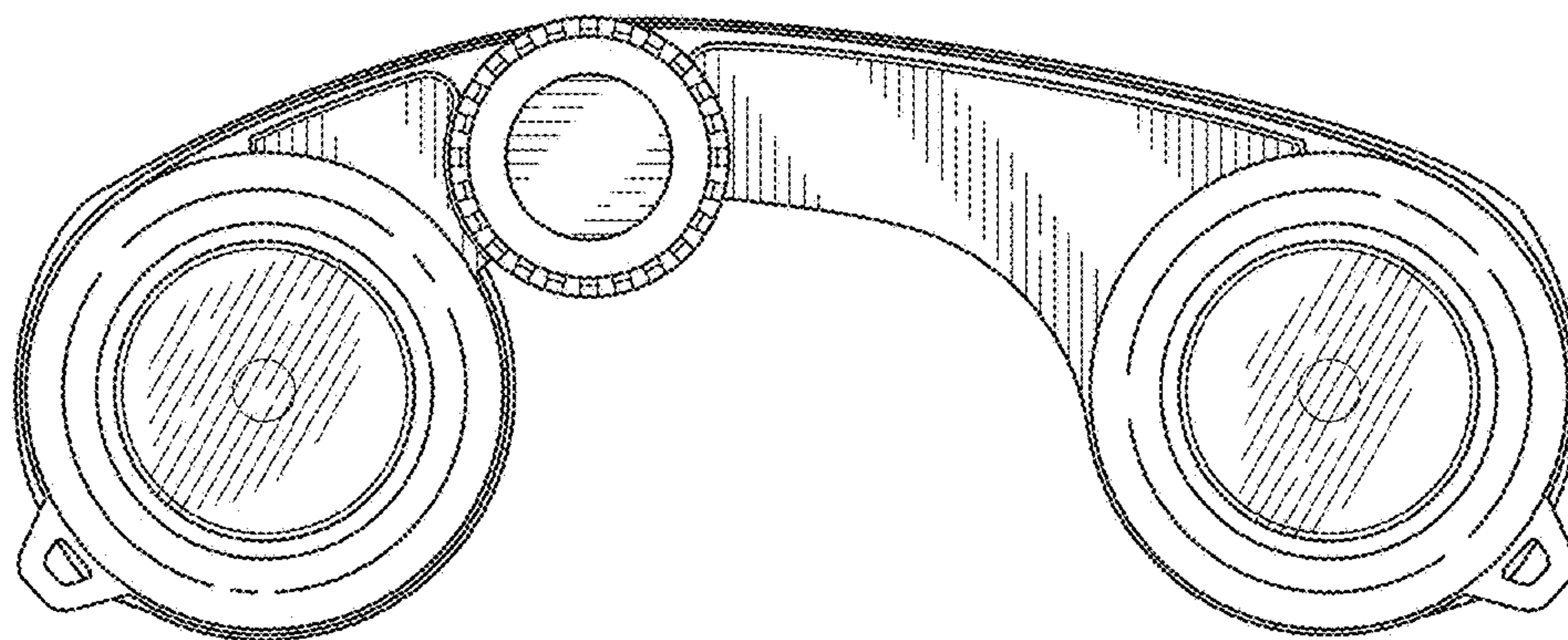


FIG. 4

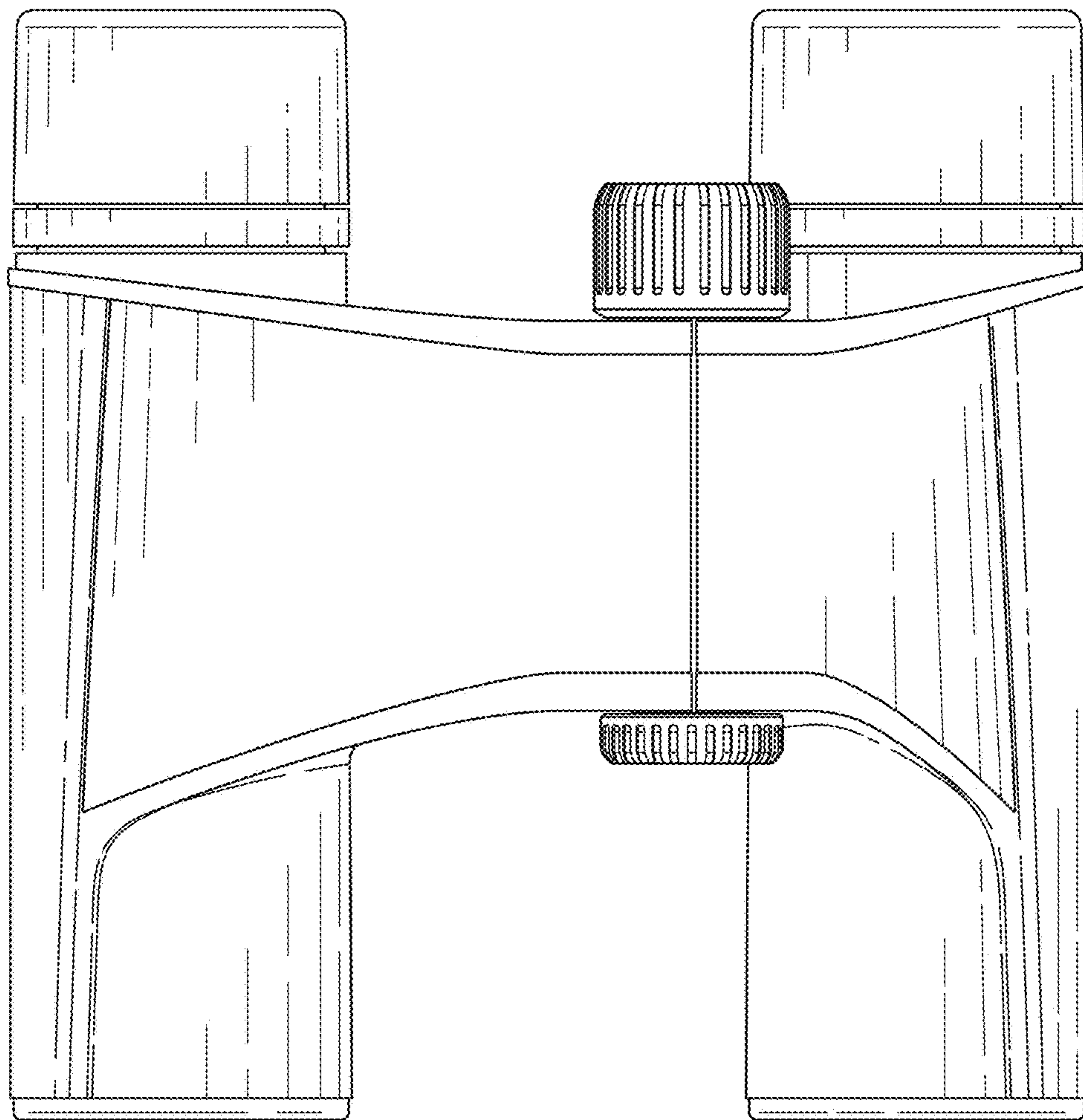


FIG. 5

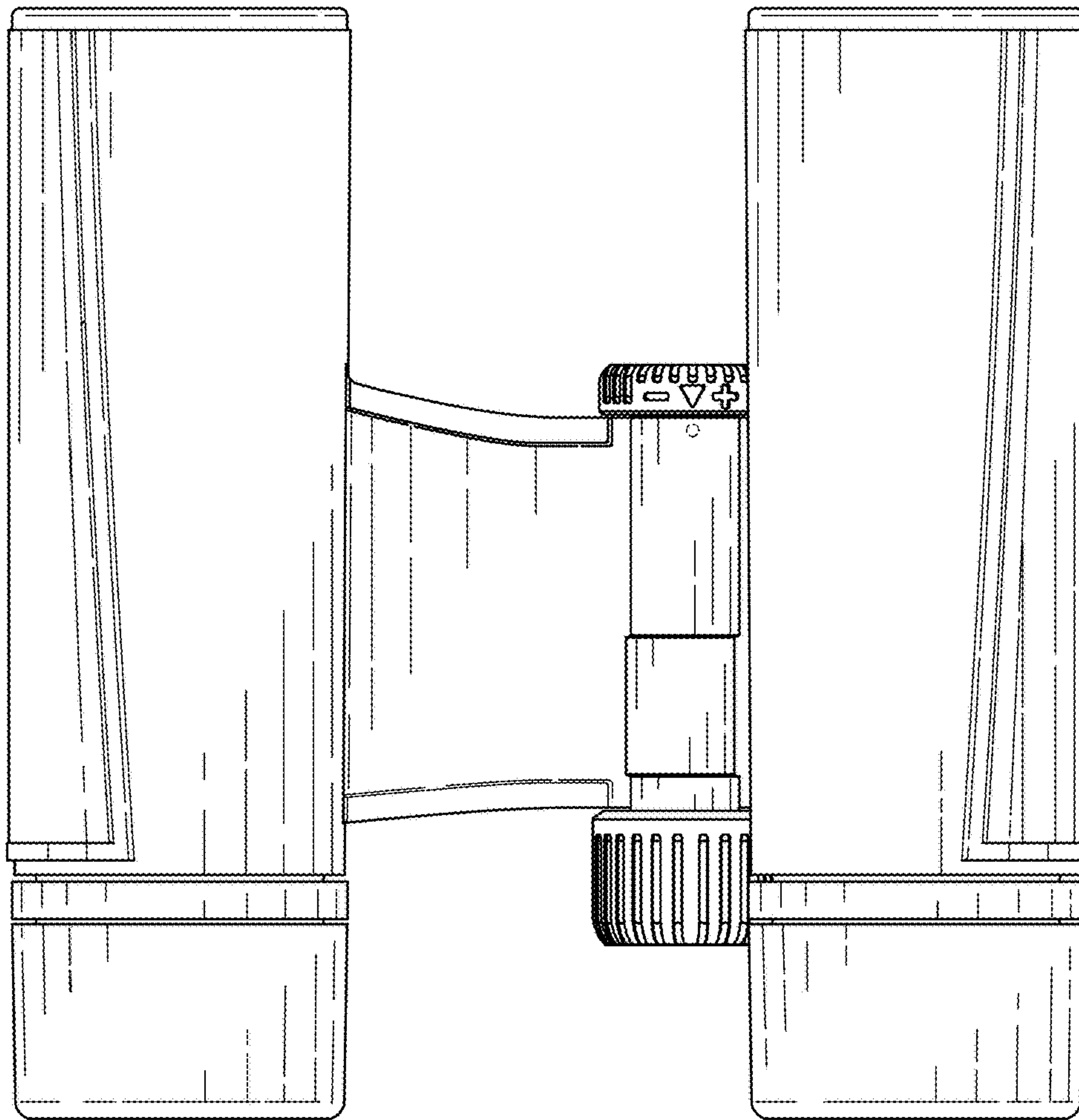


FIG. 6

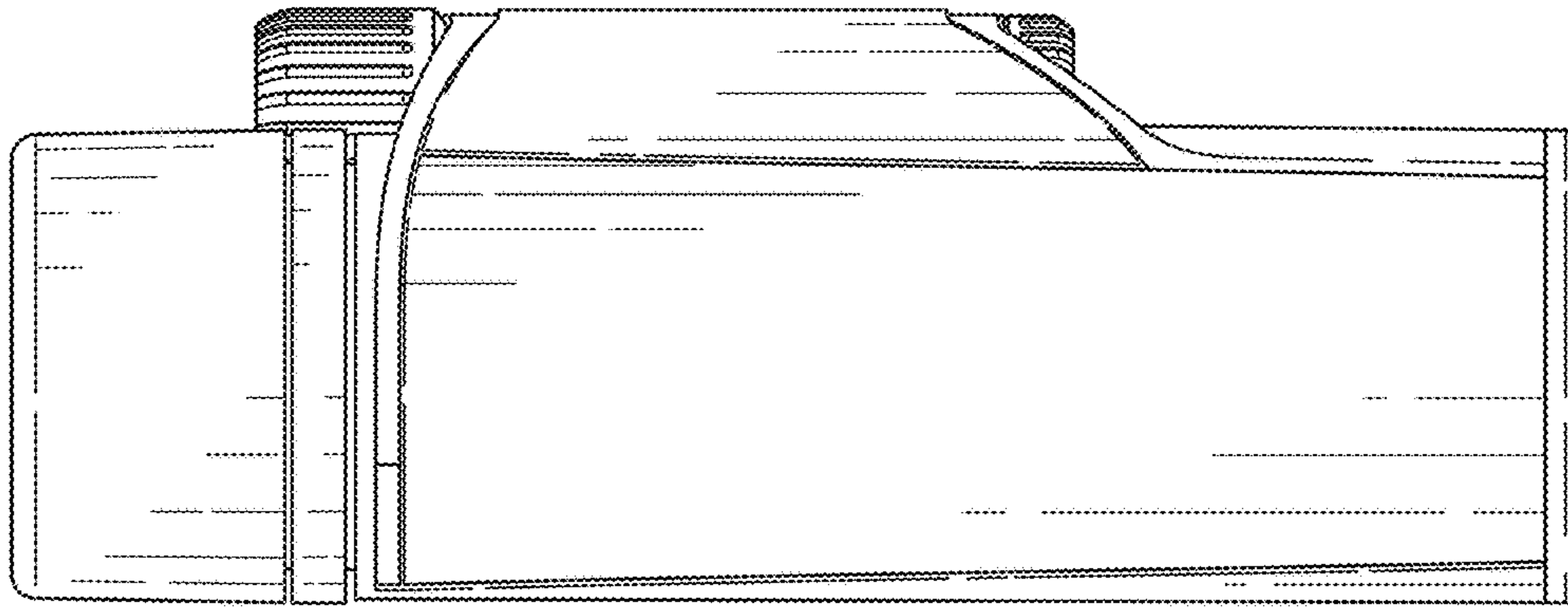


FIG. 7

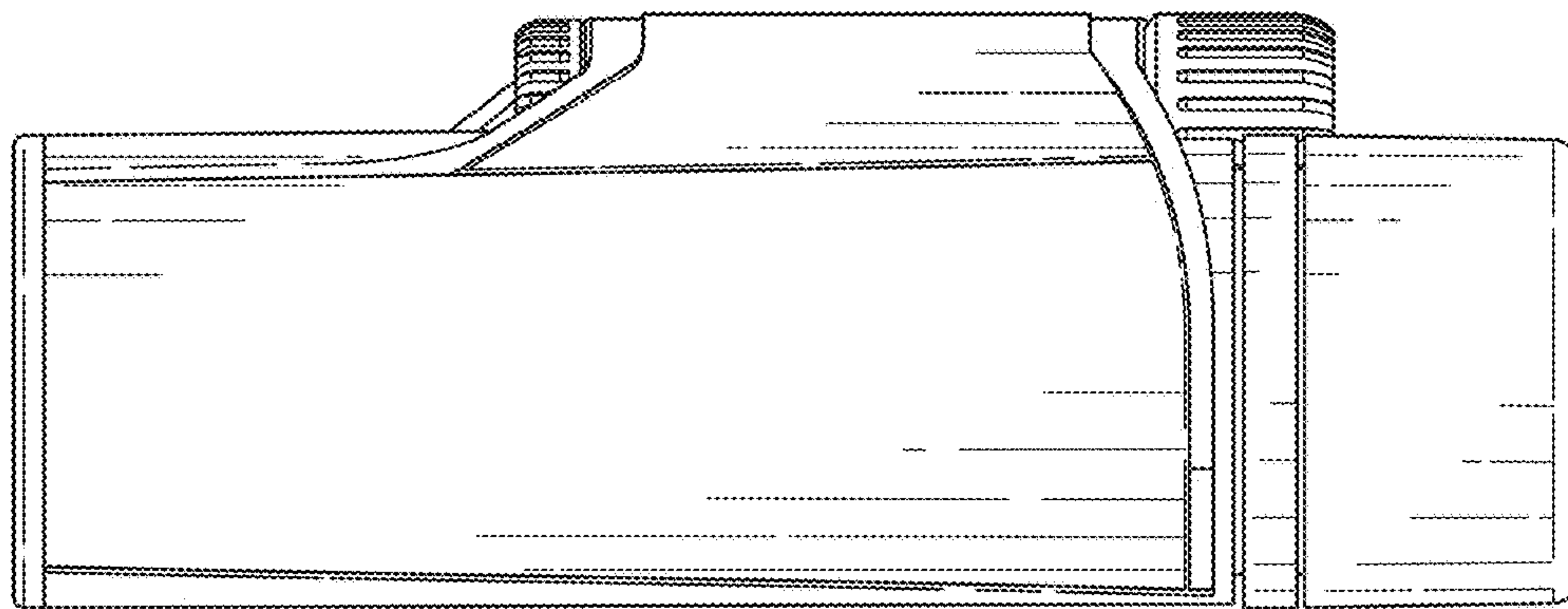


FIG. 8

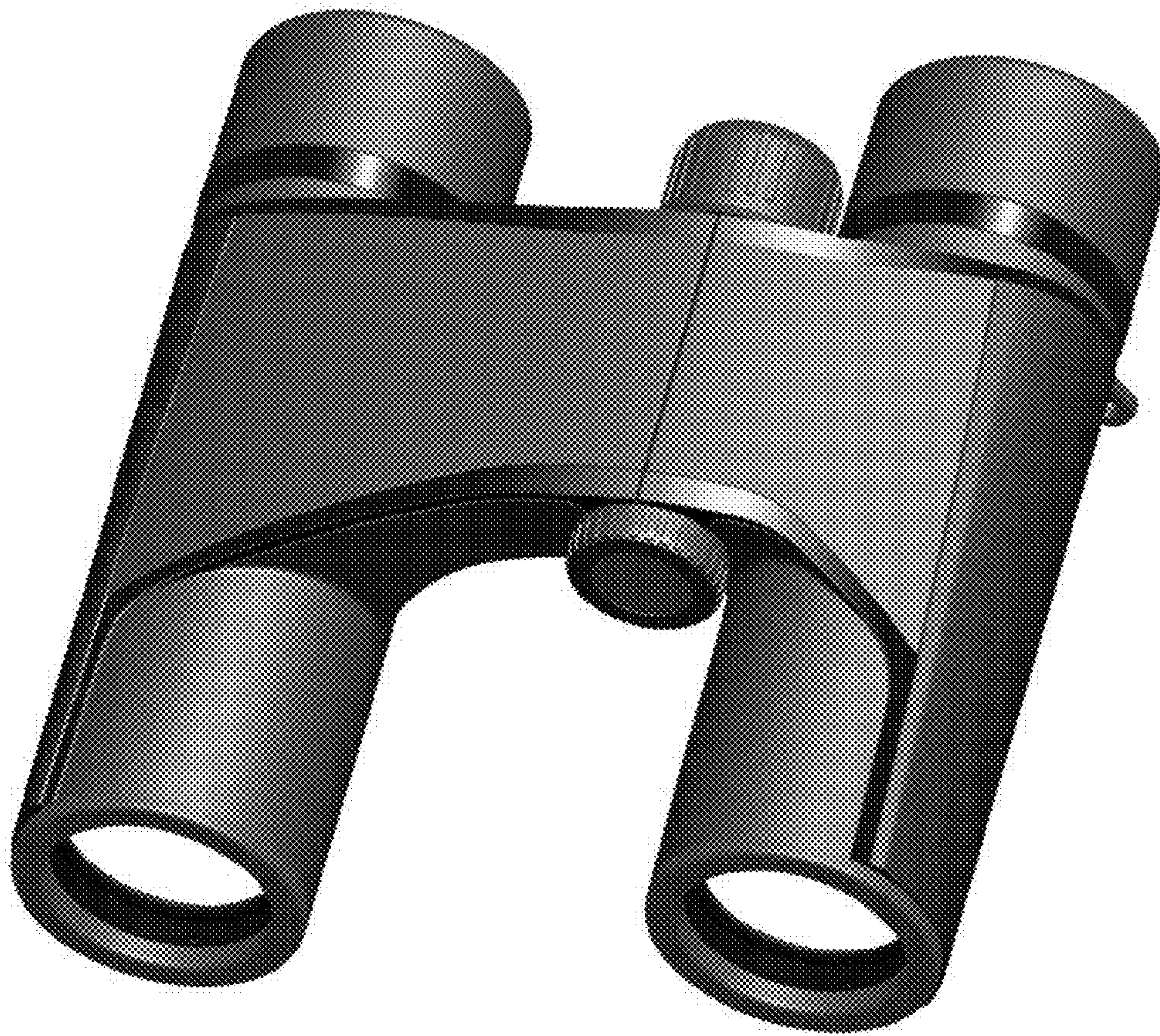


FIG. 9



FIG. 10

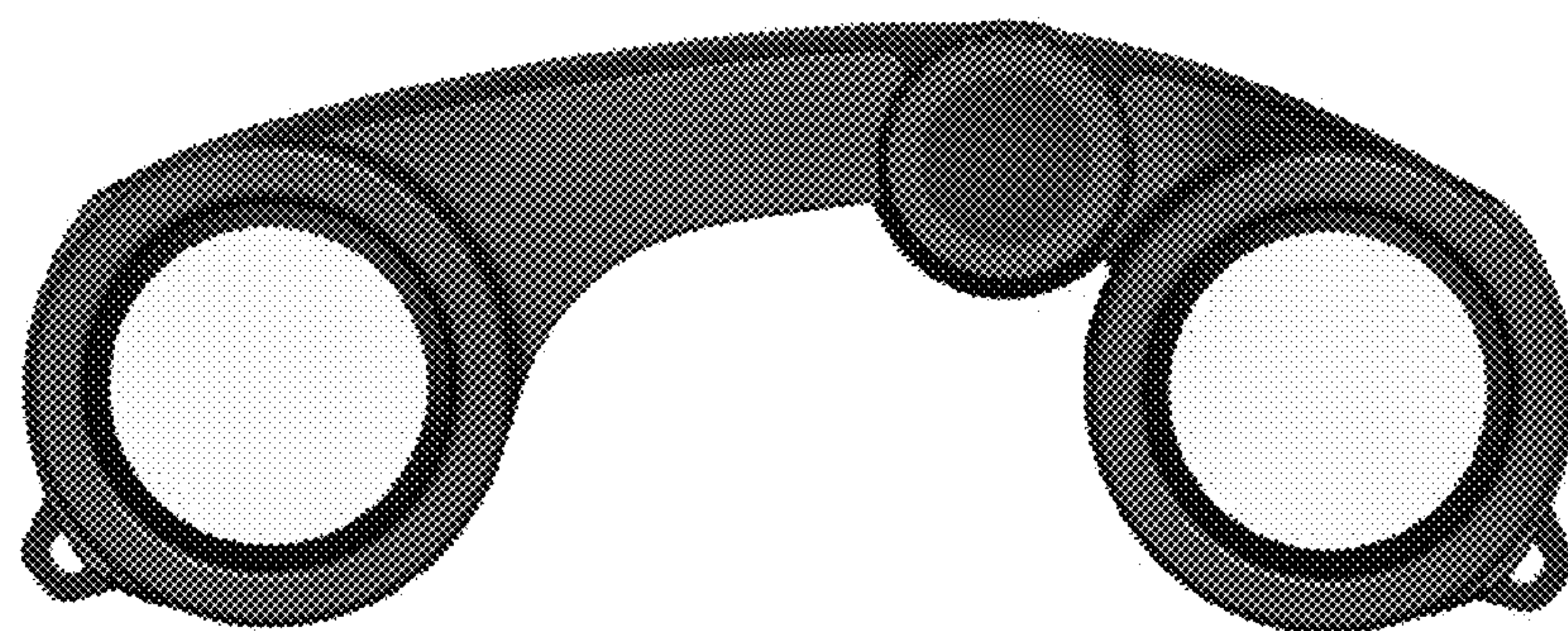


FIG. 11

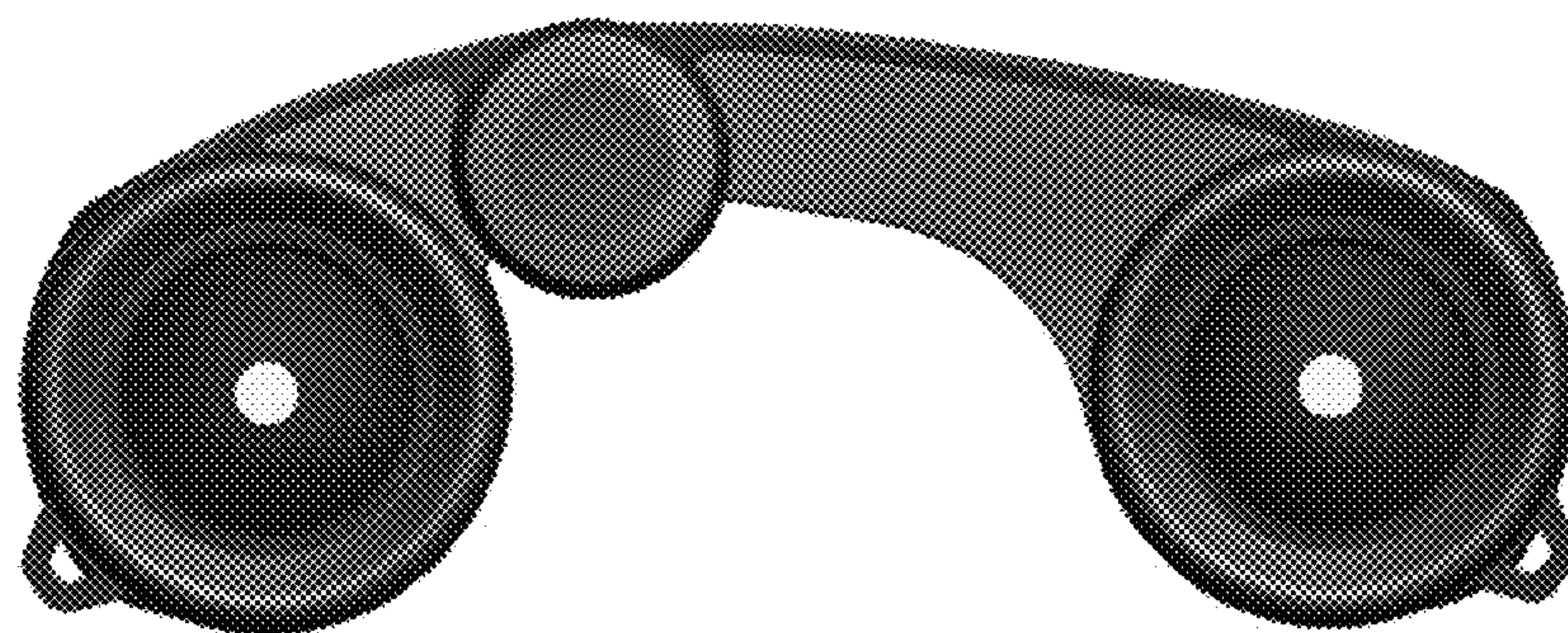


FIG. 12



FIG. 13

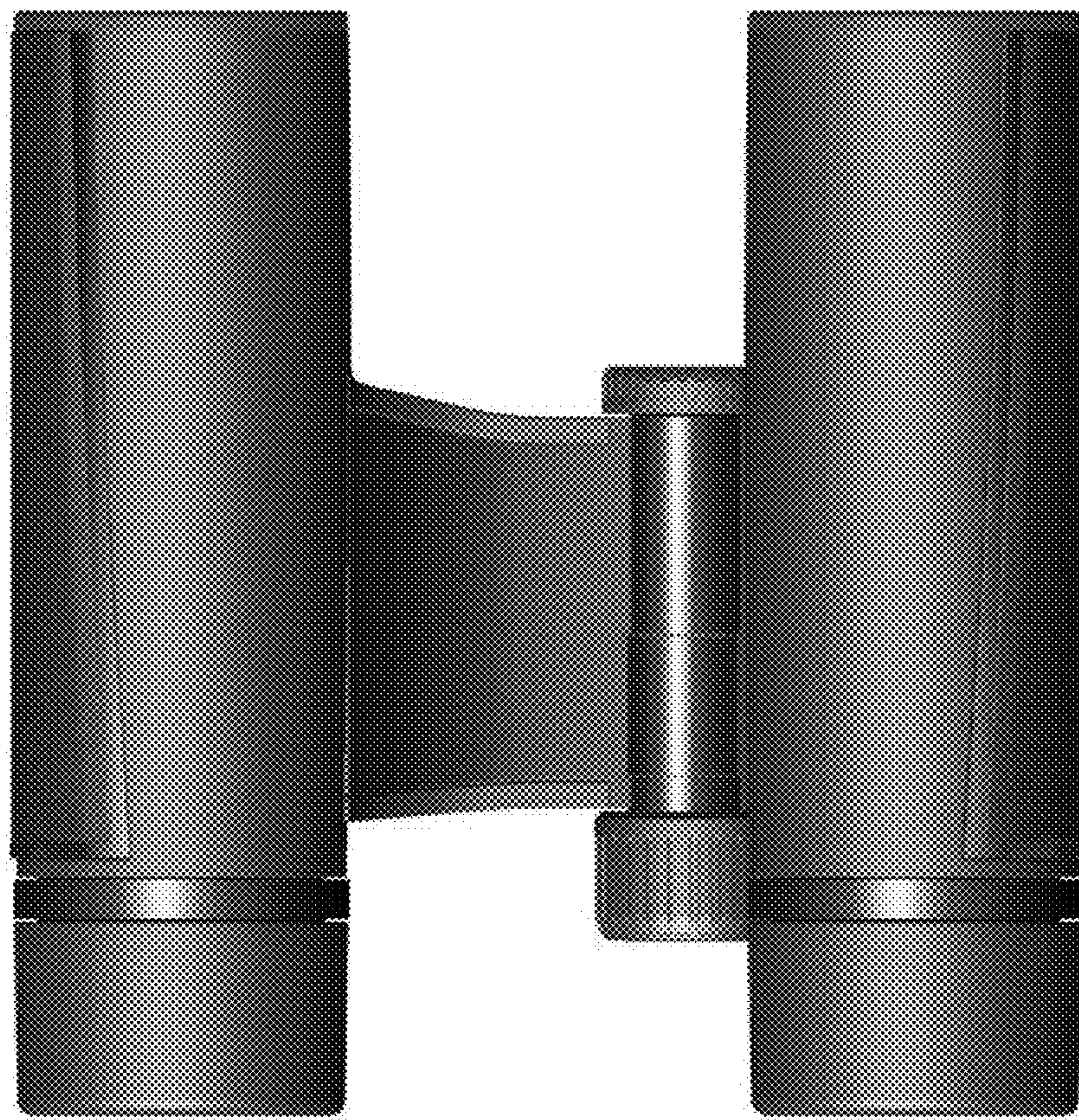


FIG. 14

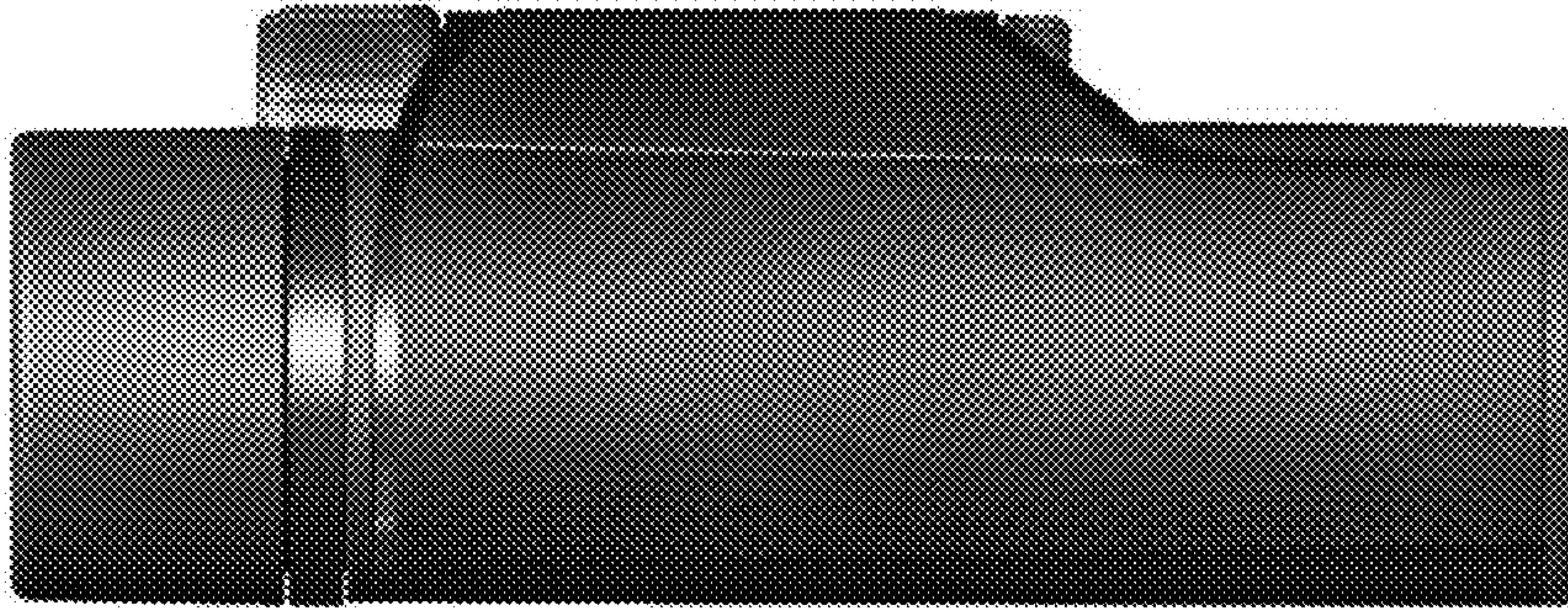


FIG. 15

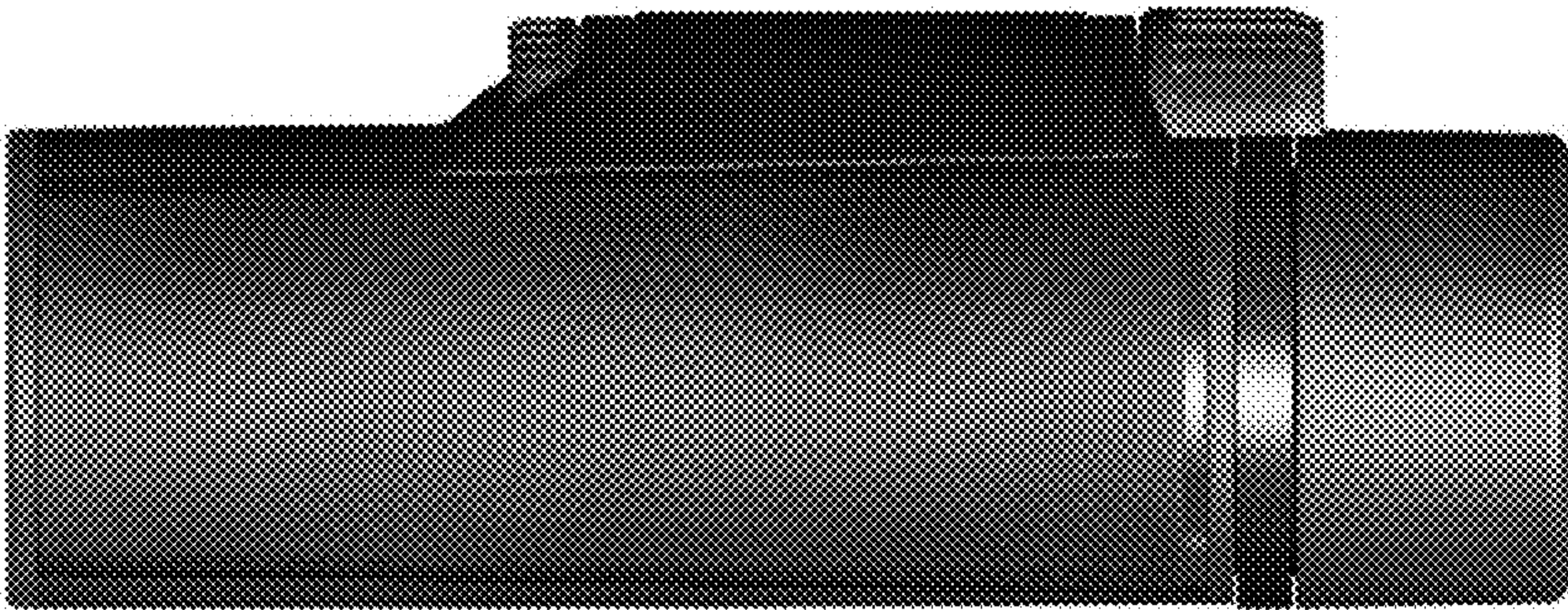


FIG. 16

UNITED STATES PATENT AND TRADEMARK OFFICE
CERTIFICATE OF CORRECTION

PATENT NO. : D867,416 S
APPLICATION NO. : 29/610324
DATED : November 19, 2019
INVENTOR(S) : N. Radau et al.

Page 1 of 1

It is certified that error appears in the above-identified patent and that said Letters Patent is hereby corrected as shown below:

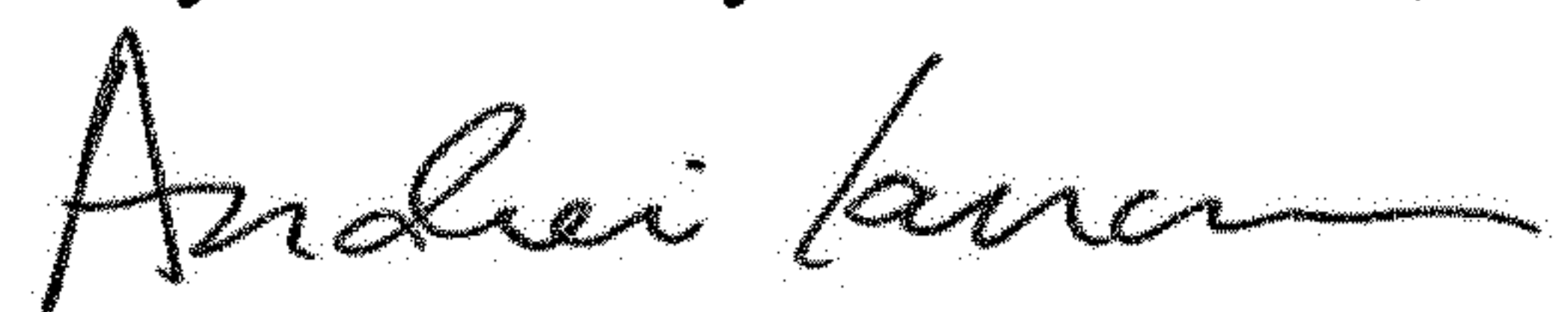
On the Title Page

On Page 2:

Under (56) Foreign Patent Documents Line 19: delete "CN 200130222190.9" and substitute -- CN 201130222190.9 -- therefor.

Under (56) Foreign Patent Documents Line 20: delete "CN 201630026174.5 7/2016" and substitute -- CN 201630026174.5 8/2016 -- therefor.

Signed and Sealed this
Twenty-fourth Day of December, 2019



Andrei Iancu
Director of the United States Patent and Trademark Office