

US00D867413S

(12) **United States Design Patent** (10) **Patent No.:** **US D867,413 S**
Tsai (45) **Date of Patent:** **** Nov. 19, 2019**

(54) **GAS COMBUSTOR**
(71) Applicant: **Chin-Lin Tsai**, New Taipei (TW)
(72) Inventor: **Chin-Lin Tsai**, New Taipei (TW)
(**) Term: **15 Years**
(21) Appl. No.: **29/666,617**
(22) Filed: **Oct. 15, 2018**

D477,507 S * 7/2003 Lin D8/30
D477,747 S * 7/2003 Hsu D7/416
D481,598 S * 11/2003 Lin D8/29.1
D489,235 S * 5/2004 Hewett D8/30
D514,606 S * 2/2006 Picaza D15/144.2
D515,356 S * 2/2006 Chen D27/154
D587,975 S * 3/2009 Aronson, II D15/144
D667,993 S * 9/2012 Lin D27/139
D667,994 S * 9/2012 Lin D27/139
D813,627 S * 3/2018 Tsai D8/30
D820,057 S * 6/2018 Tsai D8/30
D838,301 S * 1/2019 Prikler D15/144
D847,232 S * 4/2019 Zahriya D15/144

(30) **Foreign Application Priority Data**

May 2, 2018 (TW) 107302450

(51) **LOC (12) Cl.** **15-09**

(52) **U.S. Cl.**
USPC **D15/144**

(58) **Field of Classification Search**
USPC D7/416; D8/29, 29.1, 29.2, 30, 68, 107;
D15/144, 144.1, 144.2; D27/139, 154,
D27/157

CPC B23K 9/0956; B23K 9/10; B23K 9/173;
B23K 9/285; B23K 9/295; B23K 9/32
See application file for complete search history.

(56) **References Cited**

U.S. PATENT DOCUMENTS

D444,912 S * 7/2001 Xie D27/157
D456,428 S * 4/2002 Aronson, II D15/144
D456,828 S * 5/2002 Aronson, II D15/144
D465,978 S * 11/2002 Miyanaga D8/30
D468,482 S * 1/2003 Lin D27/157
D472,764 S * 4/2003 Hsu D7/416

* cited by examiner

Primary Examiner — Garth Rademaker

Assistant Examiner — Fritzgerald L Butac

(74) *Attorney, Agent, or Firm* — Guice Patents PLLC

(57) **CLAIM**

The ornamental design for a gas combustor, as shown and described.

DESCRIPTION

FIG. 1 is a perspective view of a gas combustor showing the design;

FIG. 2 is a front side elevation view thereof;

FIG. 3 is a rear side elevation view thereof;

FIG. 4 is a left side elevation view thereof;

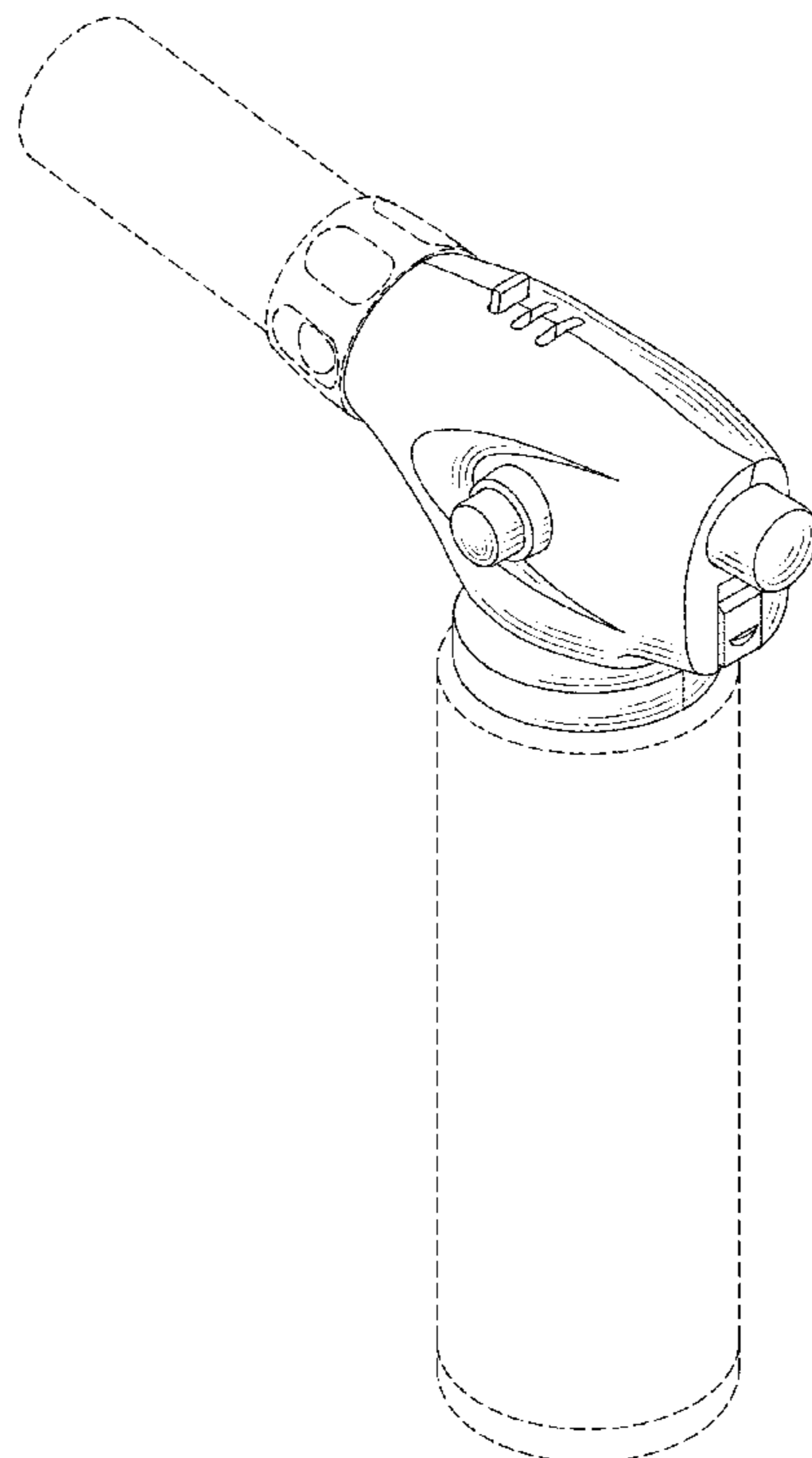
FIG. 5 is a right side elevation view thereof;

FIG. 6 is a top plan view thereof; and,

FIG. 7 is a bottom plan view thereof.

The broken lines show portions of a gas combustor that form no part of the claimed design.

1 Claim, 5 Drawing Sheets



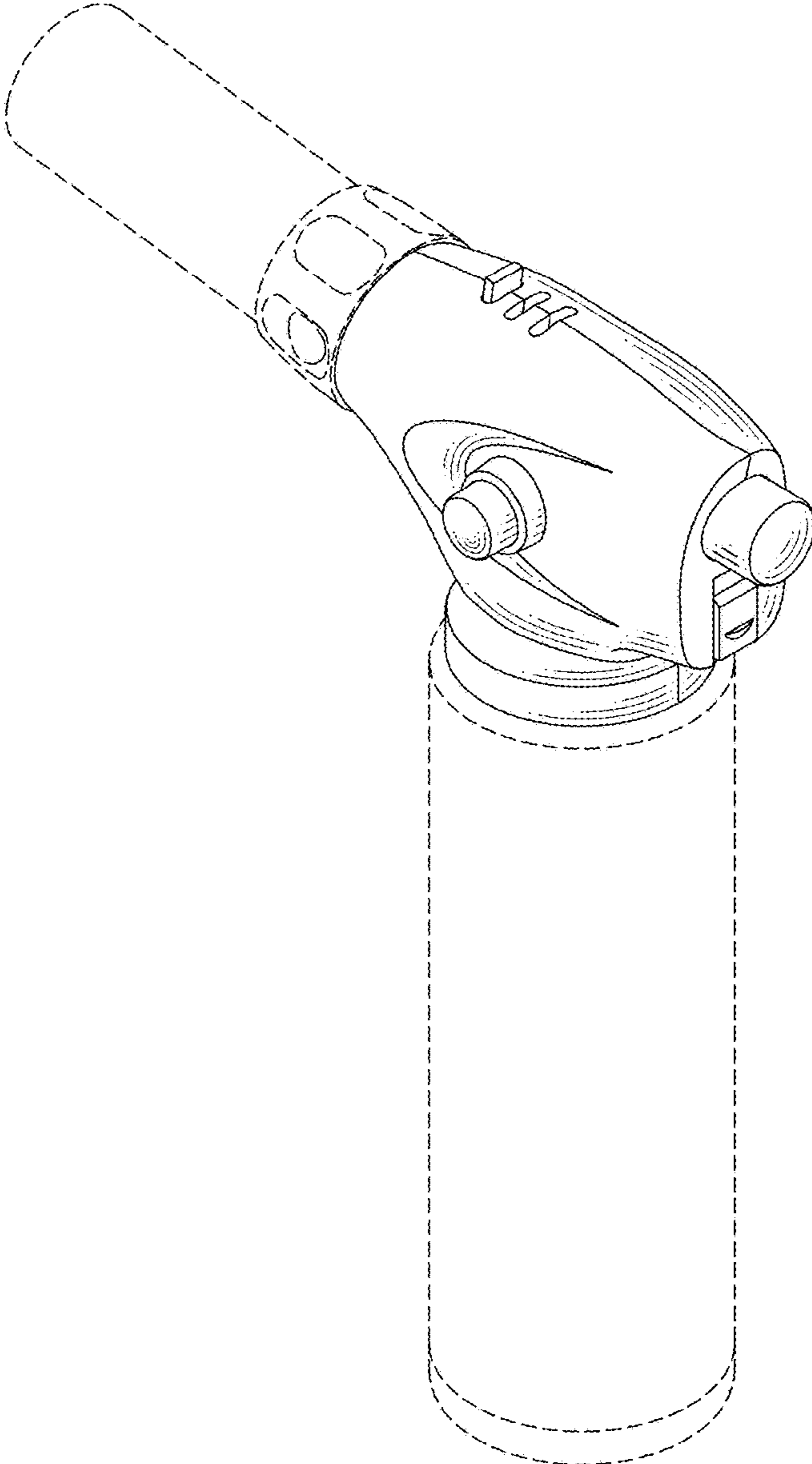


FIG. 1

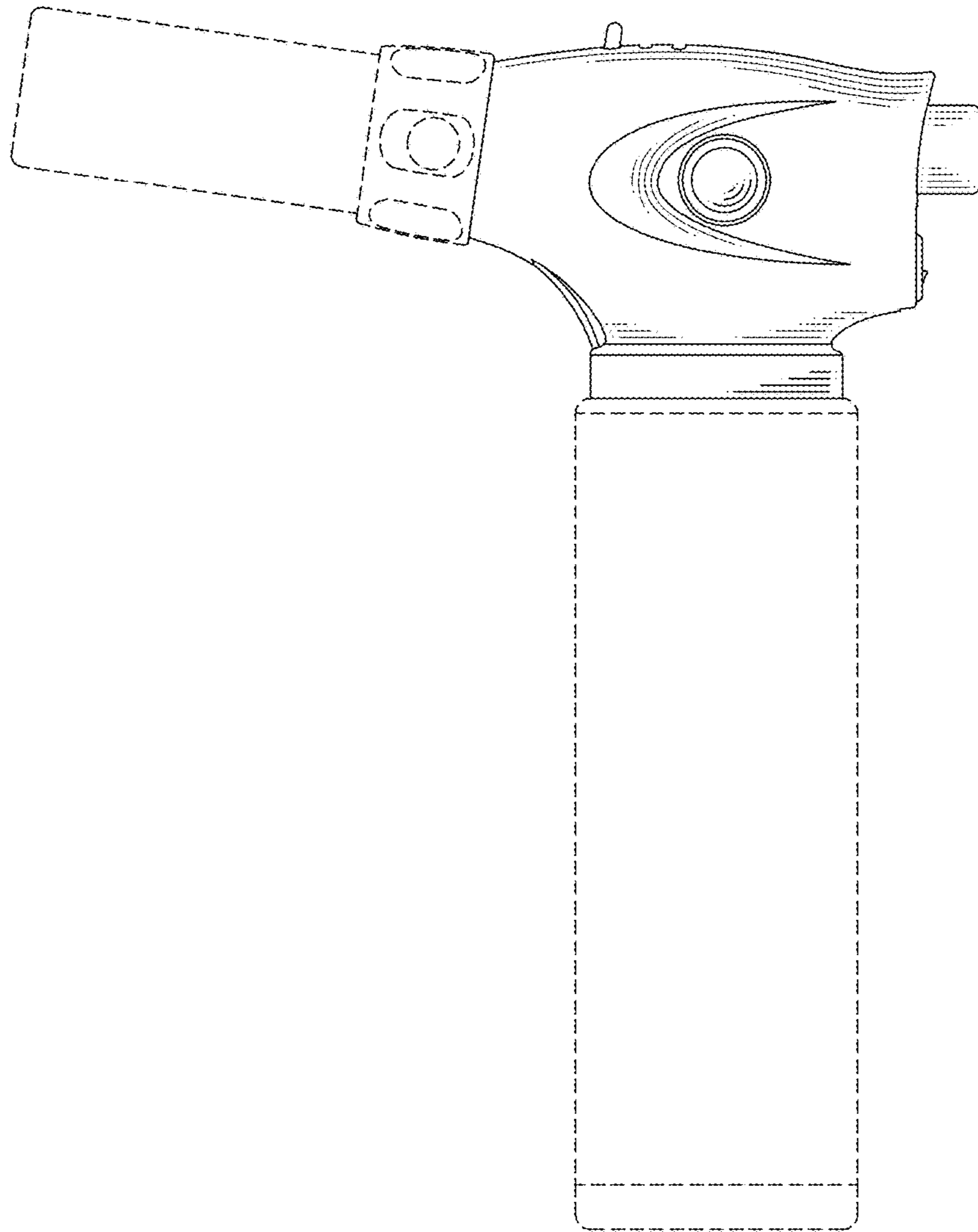


FIG. 2

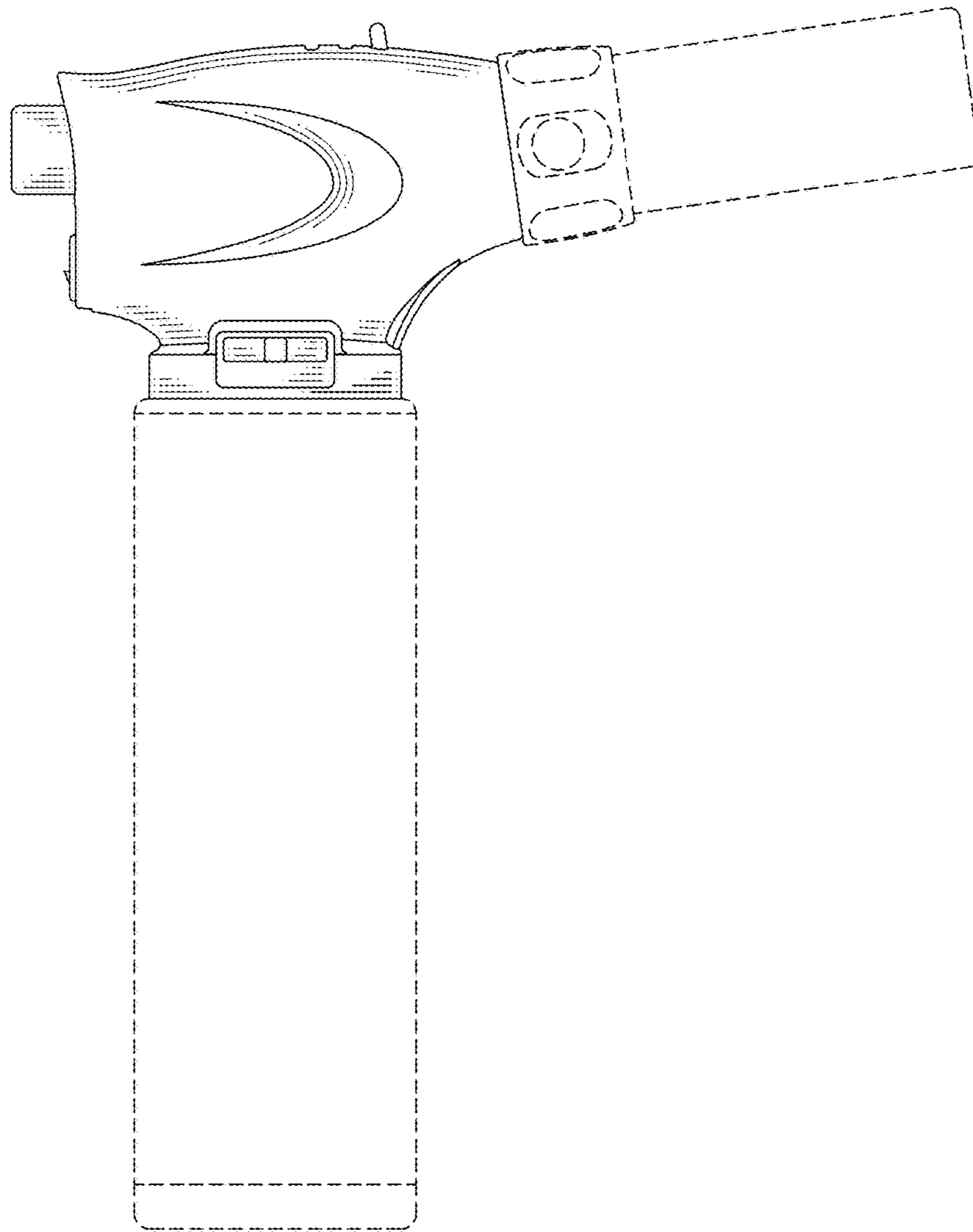


FIG. 3

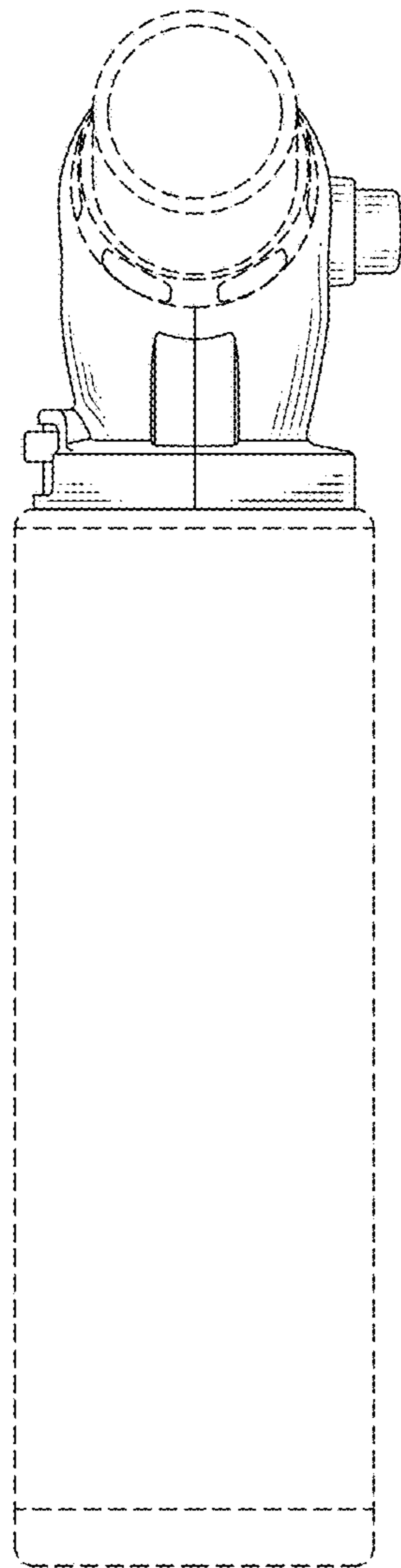


FIG. 4

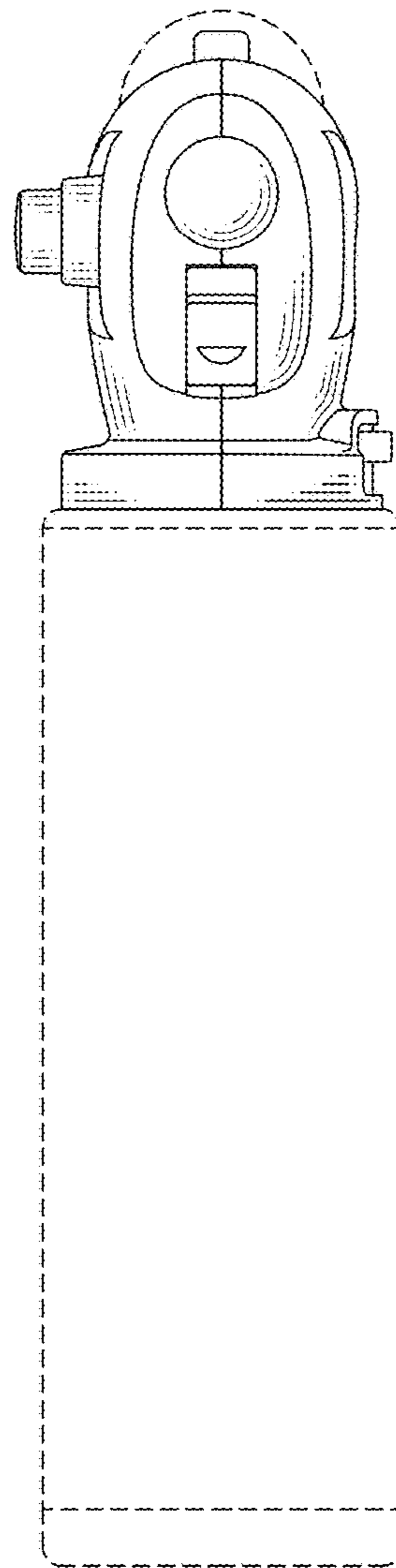


FIG. 5

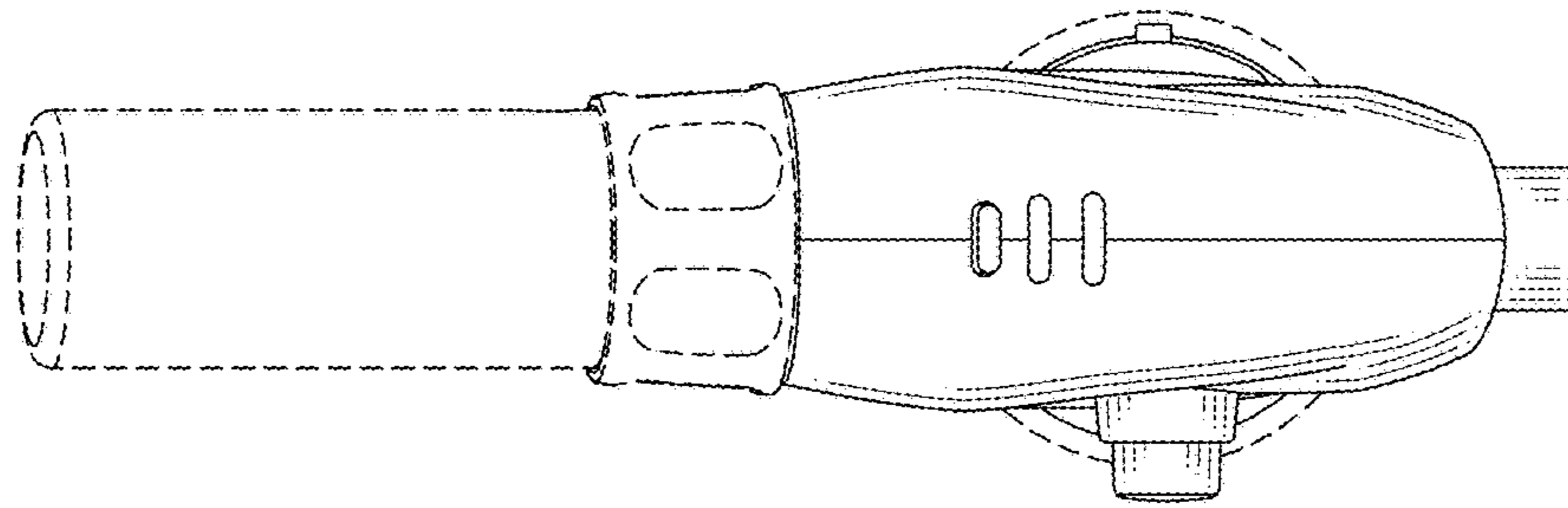


FIG. 6

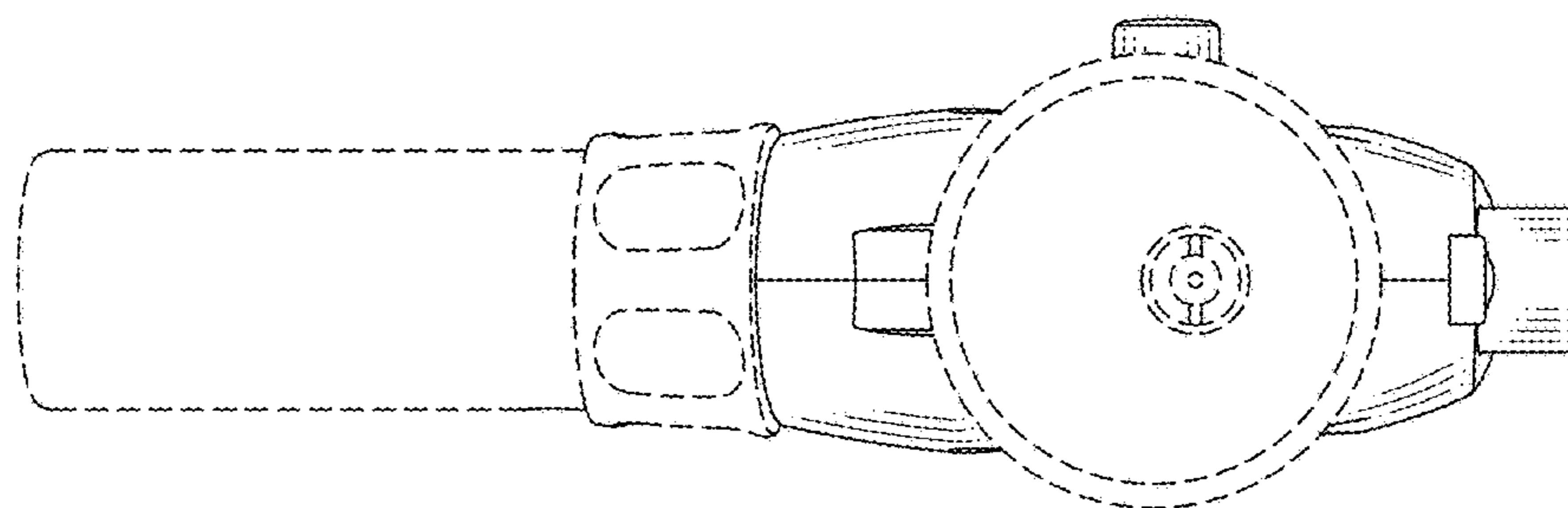


FIG. 7