



US00D867410S

(12) **United States Design Patent**
Du et al.

(10) **Patent No.:** **US D867,410 S**

(45) **Date of Patent:** **** Nov. 19, 2019**

- (54) **HEAT PRESS MACHINE**
- (71) Applicant: **Amerta LLC**, Redmond, WA (US)
- (72) Inventors: **Rongxin Du**, Redmond, WA (US); **Bo Li**, Redmond, WA (US)
- (73) Assignee: **Amerta LLC**, Redmond, WA (US)
- (**) Term: **15 Years**
- (21) Appl. No.: **29/627,960**
- (22) Filed: **Nov. 30, 2017**
- (51) **LOC (12) Cl.** **15-09**
- (52) **U.S. Cl.**
USPC **D15/123**
- (58) **Field of Classification Search**
USPC D15/122, 123, 128, 132, 146
CPC .. B32B 37/06; B32B 37/0053; B32B 2309/02
See application file for complete search history.

(56) **References Cited**

U.S. PATENT DOCUMENTS

- 1,466,714 A * 9/1923 Harnden B41F 1/22
101/3.1
- D154,667 S * 8/1949 Denison, Jr. D15/123
- D156,333 S * 12/1949 Goldberg D15/123
- 2,512,246 A * 6/1950 Fishburne B30B 15/047
100/231
- 2,550,973 A * 5/1951 Corcoran F42B 33/10
86/24
- D179,813 S * 3/1957 Munschauer D15/123
- D179,814 S * 3/1957 Munschauer D15/123
- D198,473 S * 6/1964 Finke D15/146
- D201,392 S * 6/1965 Cooper D15/146
- D206,729 S * 1/1967 Finke D15/146
- 3,465,410 A * 9/1969 Swanstrom B21J 15/22
29/243.5
- D218,784 S * 9/1970 Finke D15/146

- D220,211 S * 3/1971 Edstrom et al. D15/122
- 3,885,411 A * 5/1975 Szeliga B21J 13/08
470/17
- D237,745 S * 11/1975 Pierce D15/146
- D250,340 S * 11/1978 Douglas D15/146
- D255,454 S * 6/1980 Westlund D15/146
- D255,575 S * 6/1980 Pearson D15/123
- 4,257,321 A * 3/1981 Wheeler B30B 9/04
100/219
- D270,251 S * 8/1983 Spainhour D15/123
- 4,502,379 A * 3/1985 Sato B21J 13/04
100/214
- 6,076,455 A * 6/2000 Geise B30B 9/321
100/258 A
- D457,177 S * 5/2002 Hsu D15/146
- D518,494 S * 4/2006 Rapp D15/123
- D826,297 S * 8/2018 Yan D15/123
- D826,999 S * 8/2018 Yan D15/123
- 2003/0074948 A1 * 4/2003 Kanamaru B30B 15/04
72/455

(Continued)

Primary Examiner — Patricia A Palasik
(74) *Attorney, Agent, or Firm* — Perkins Coie LLP

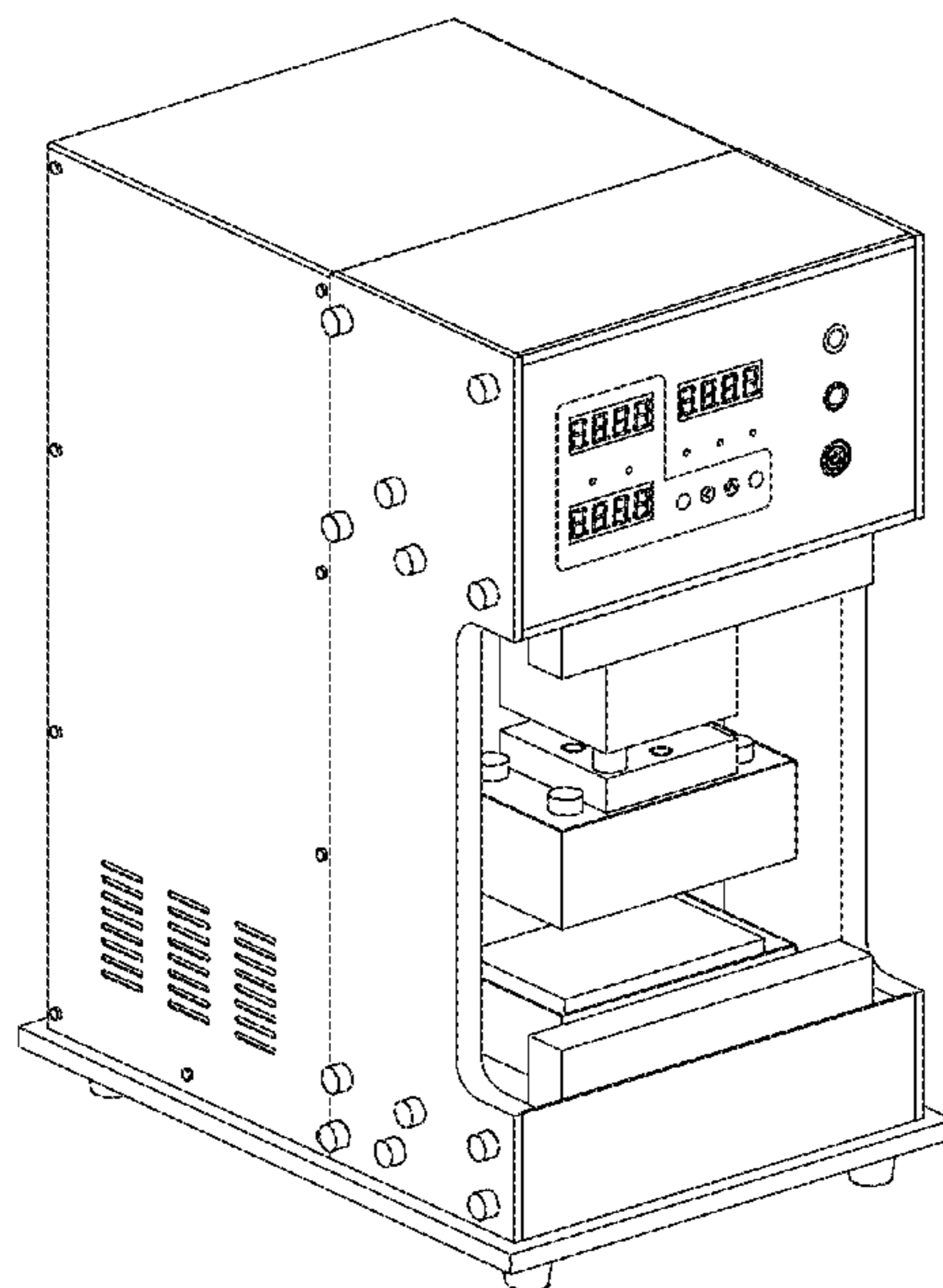
(57) **CLAIM**

The ornamental design for a heat press machine, as shown and described.

DESCRIPTION

FIG. 1 is an isometric view heat press machine showing our new design.
FIG. 2 is a front view thereof.
FIG. 3 is a rear view thereof.
FIG. 4 is a right side view thereof.
FIG. 5 is a left side view thereof.
FIG. 6 is a top view thereof; and,
FIG. 7 is a bottom view thereof.
Any broken lines in the drawings are for illustration purposes only and form no part of the claimed invention.

1 Claim, 14 Drawing Sheets



(56)

References Cited

U.S. PATENT DOCUMENTS

2008/0196836 A1* 8/2008 Woods B30B 1/12
156/367
2010/0263788 A1* 10/2010 Lahood B32B 37/0046
156/228
2015/0122425 A1* 5/2015 Hsiao B30B 15/028
156/583.1
2017/0314177 A1* 11/2017 Komiya D06C 15/10

* cited by examiner

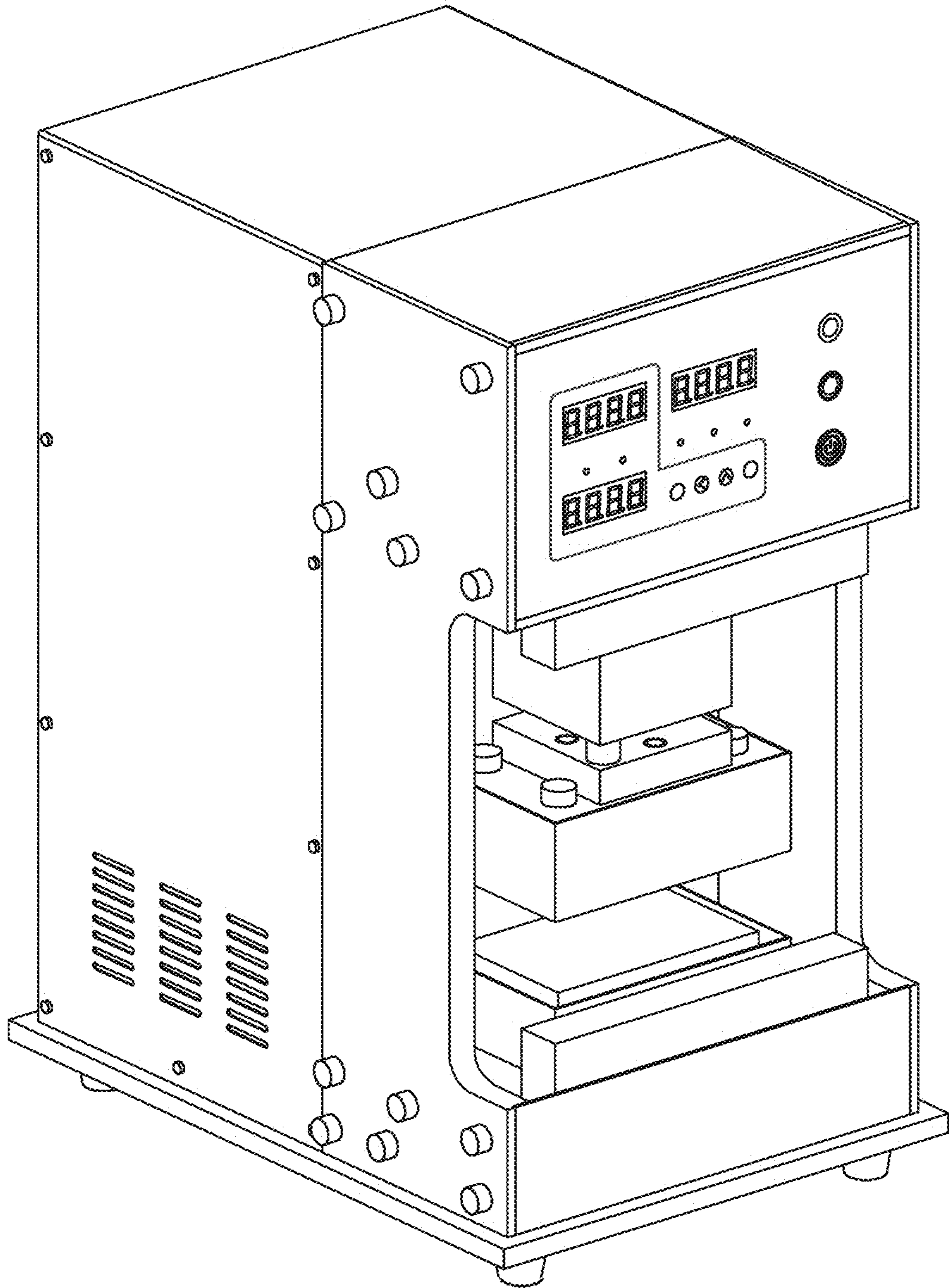


FIG. 1

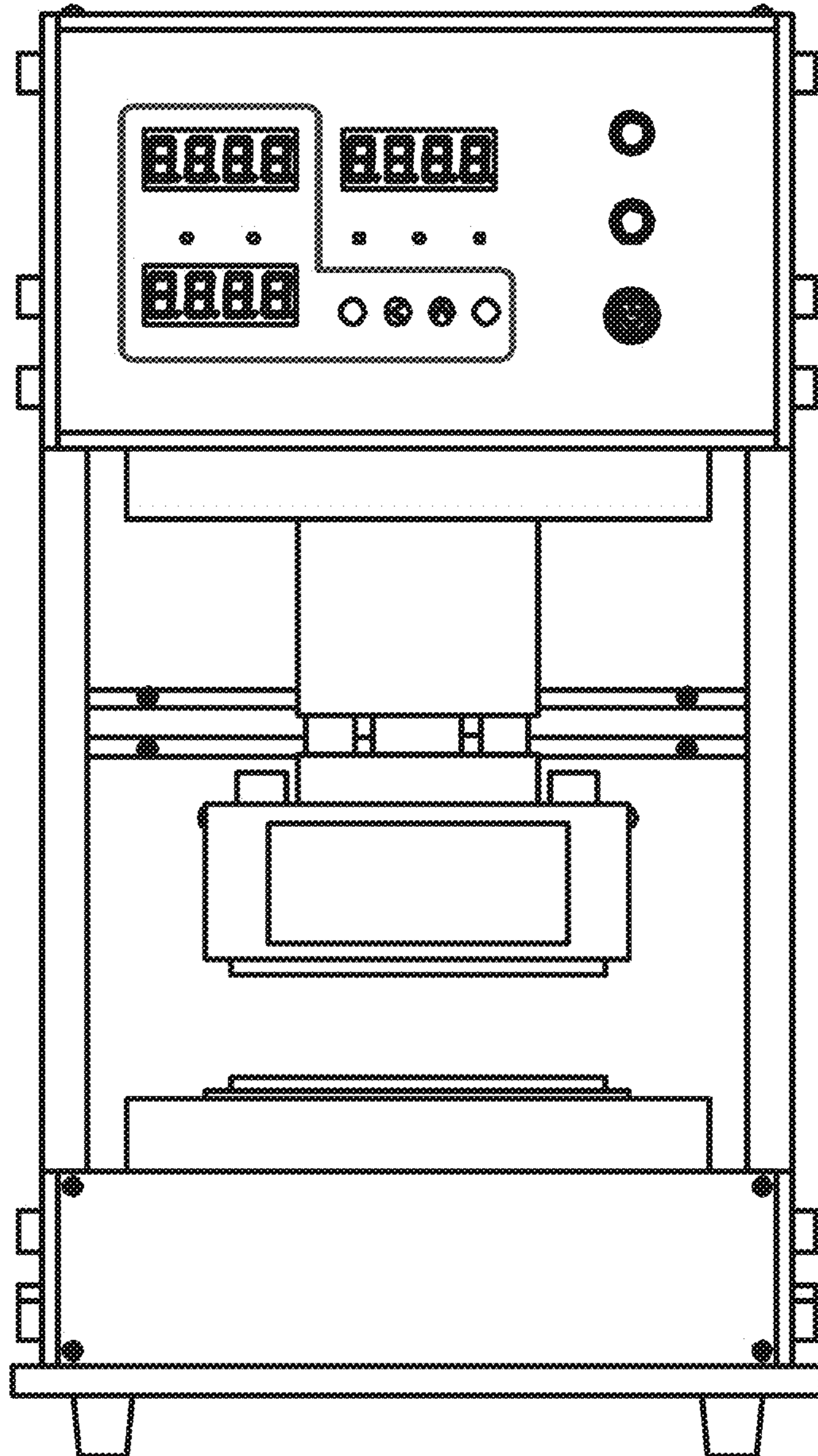


FIG. 2

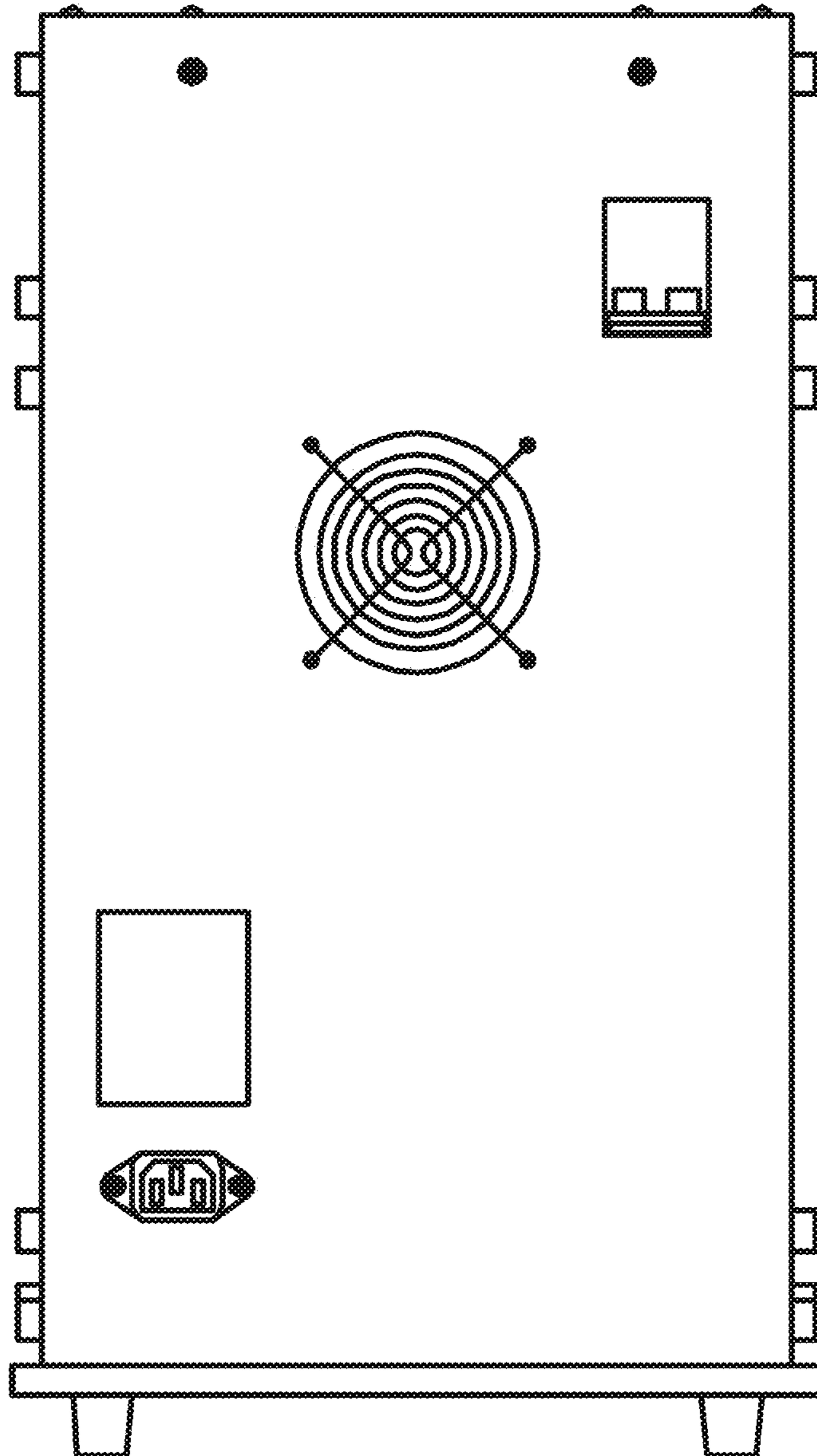


FIG. 3

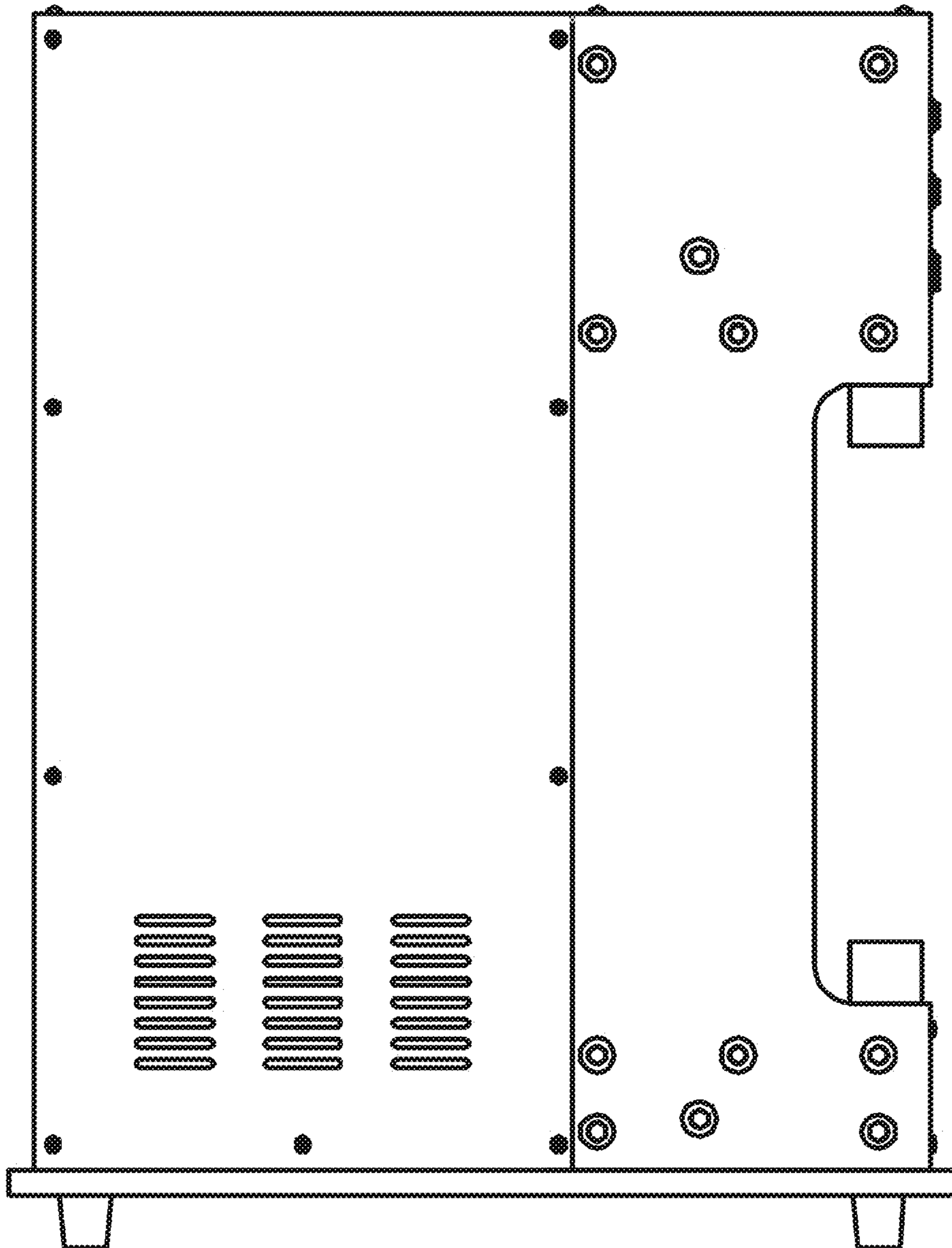


FIG. 4

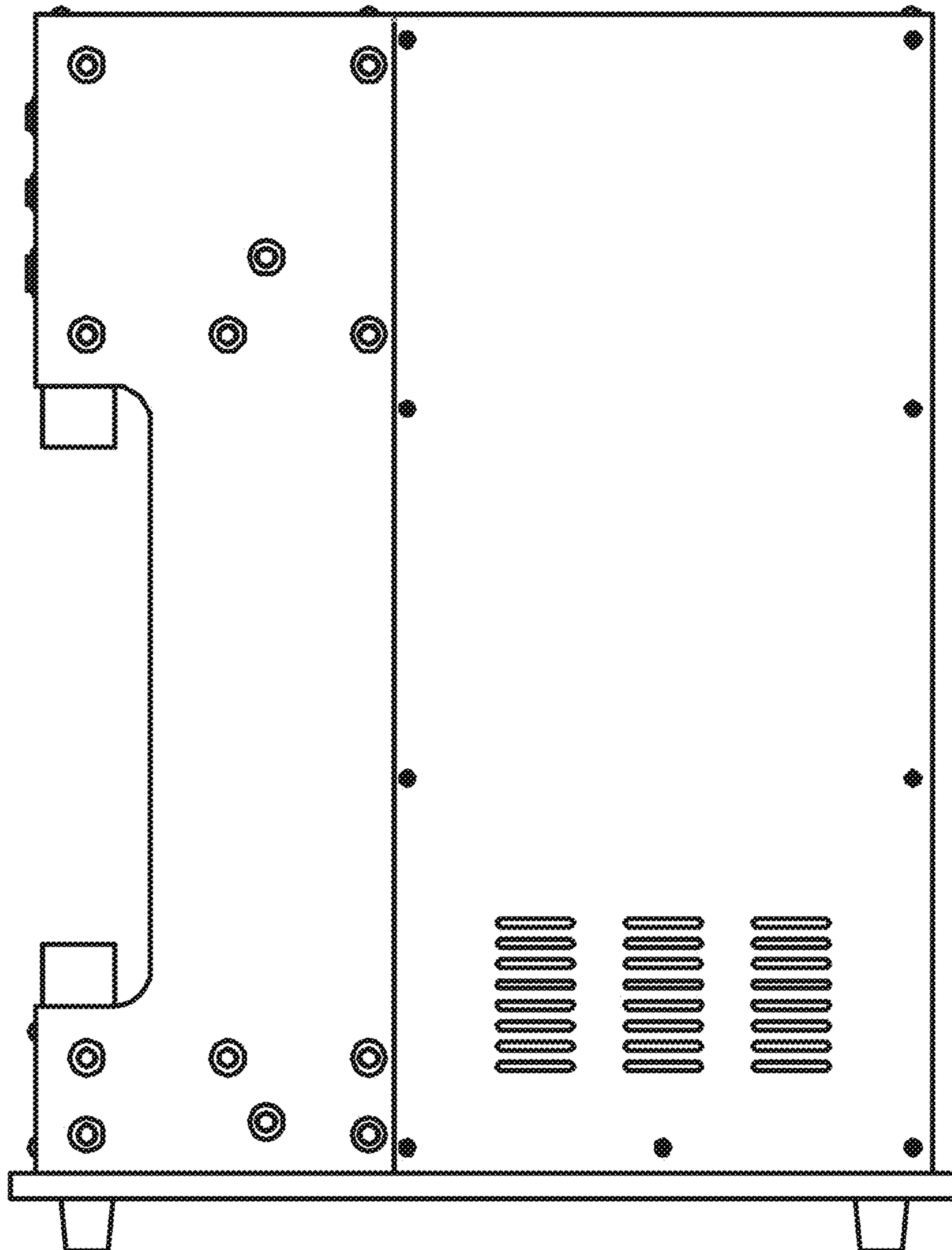


FIG. 5

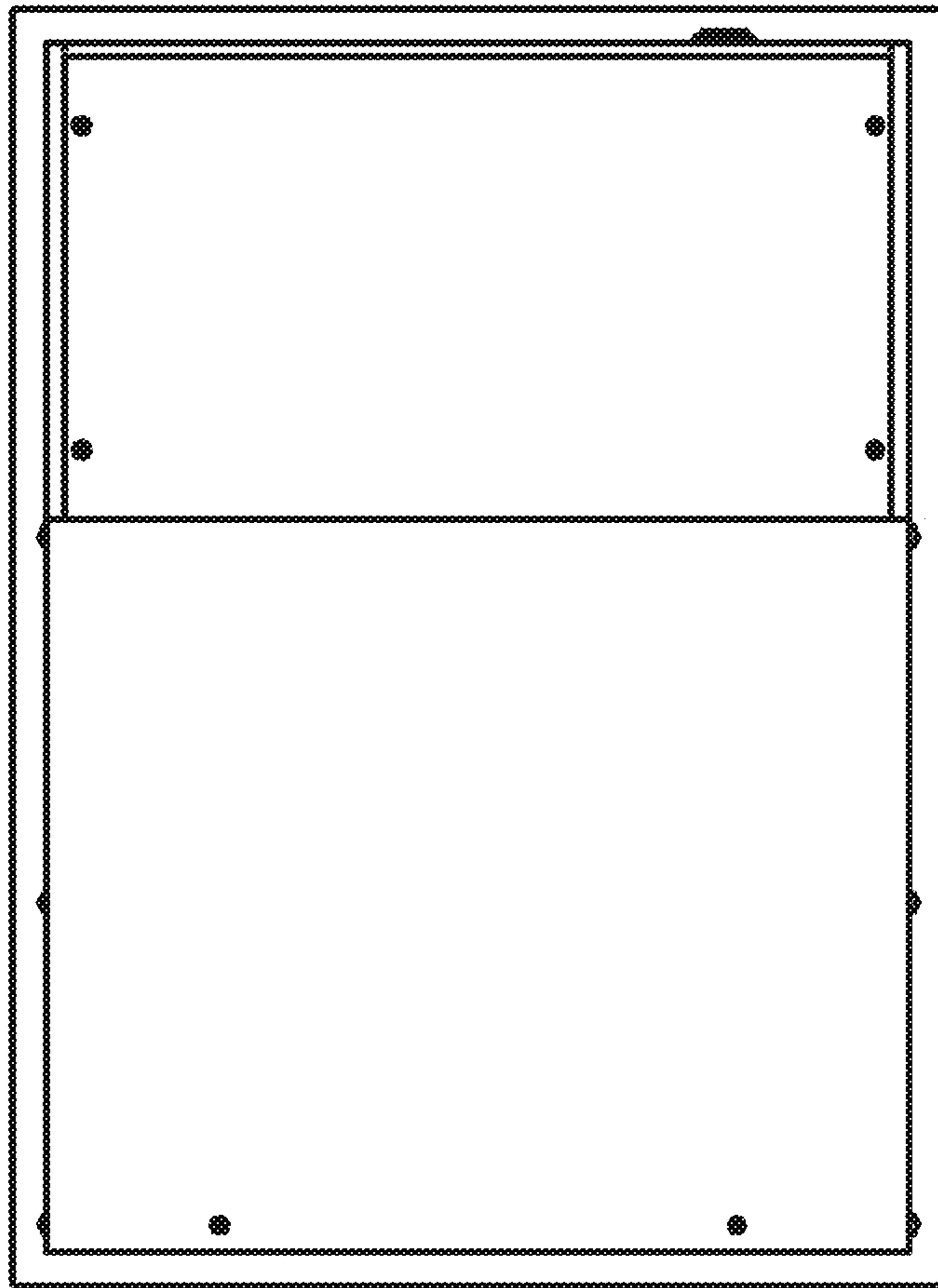


FIG. 6

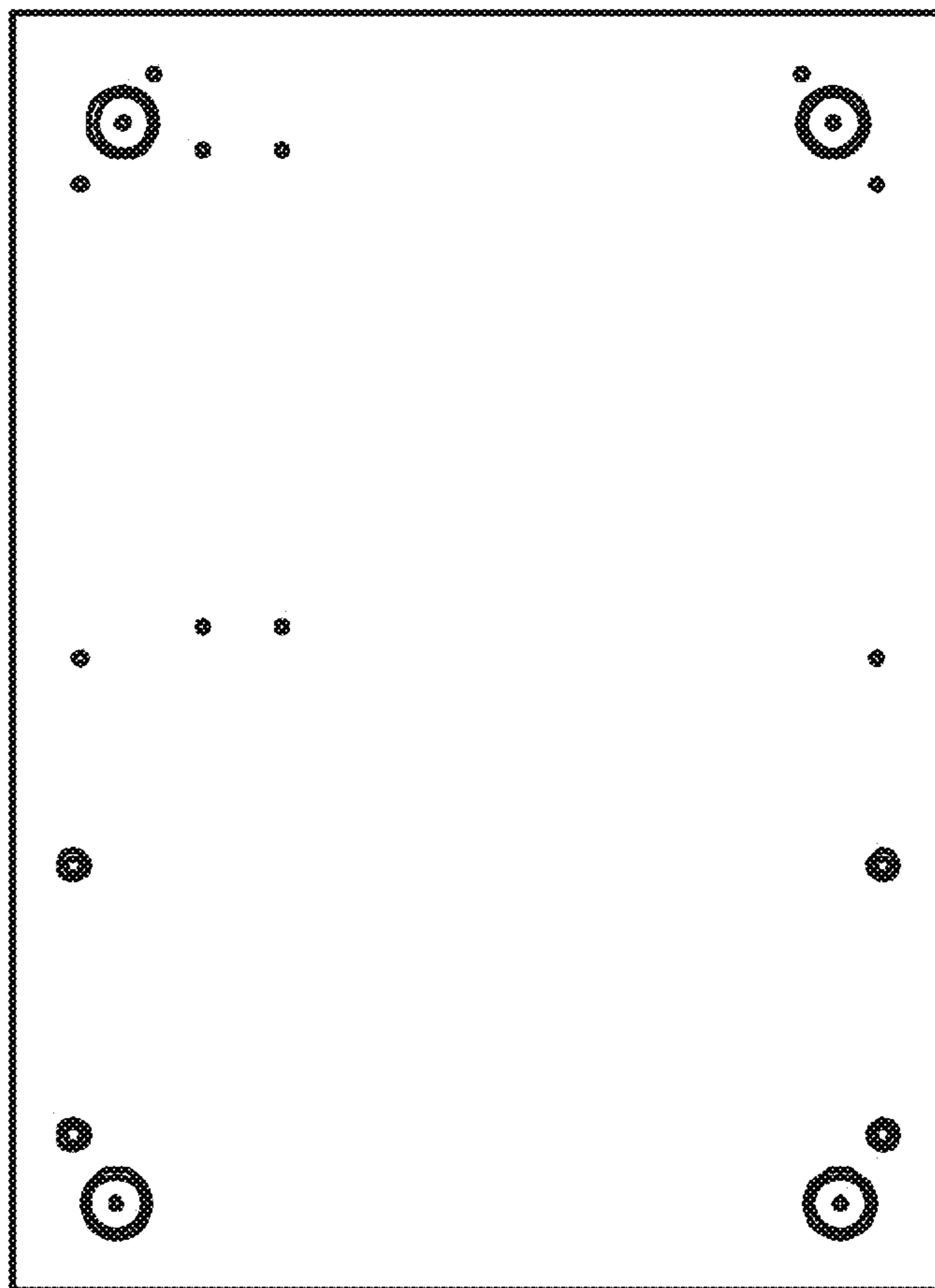


FIG. 7

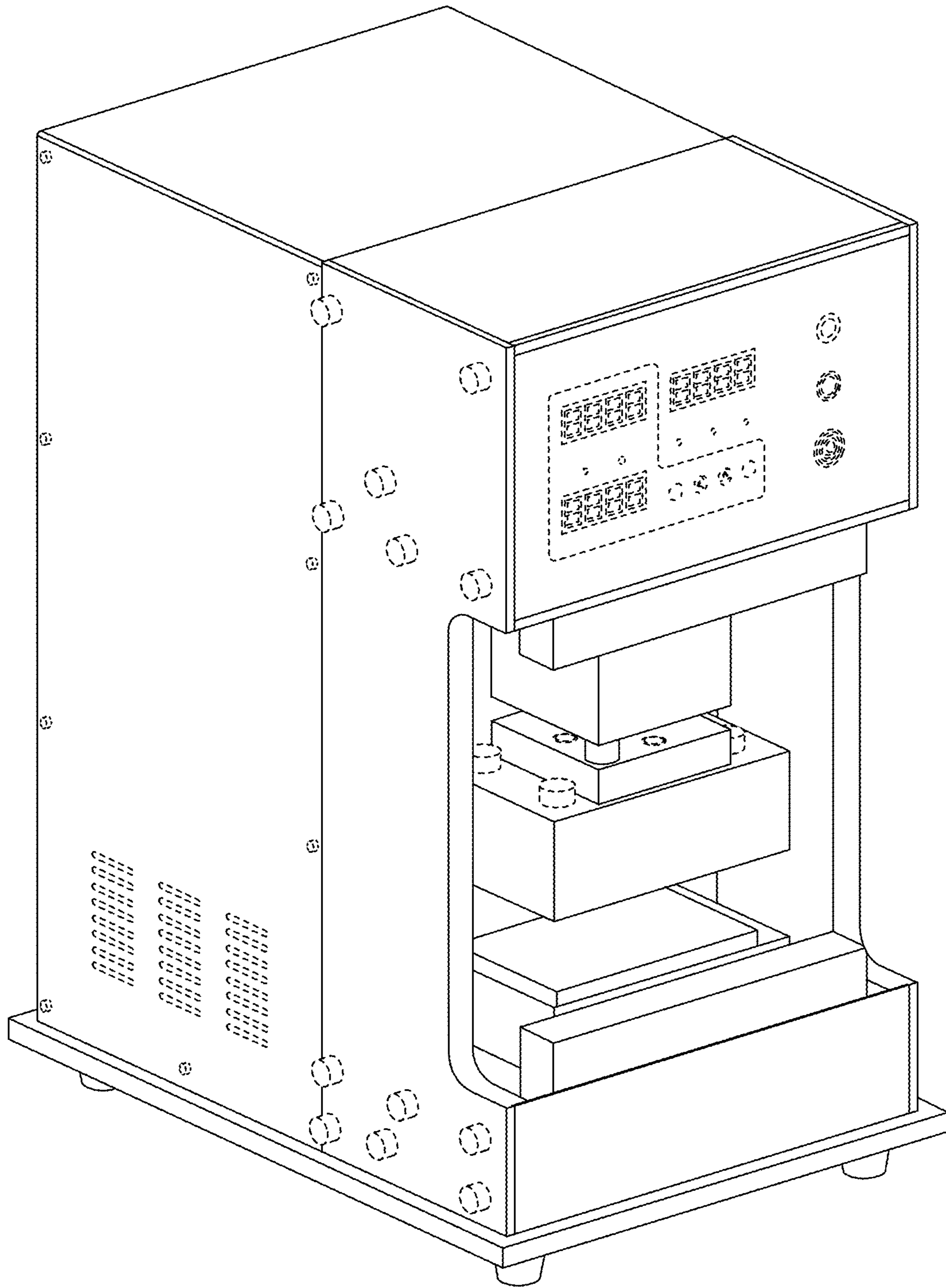


FIG. 8

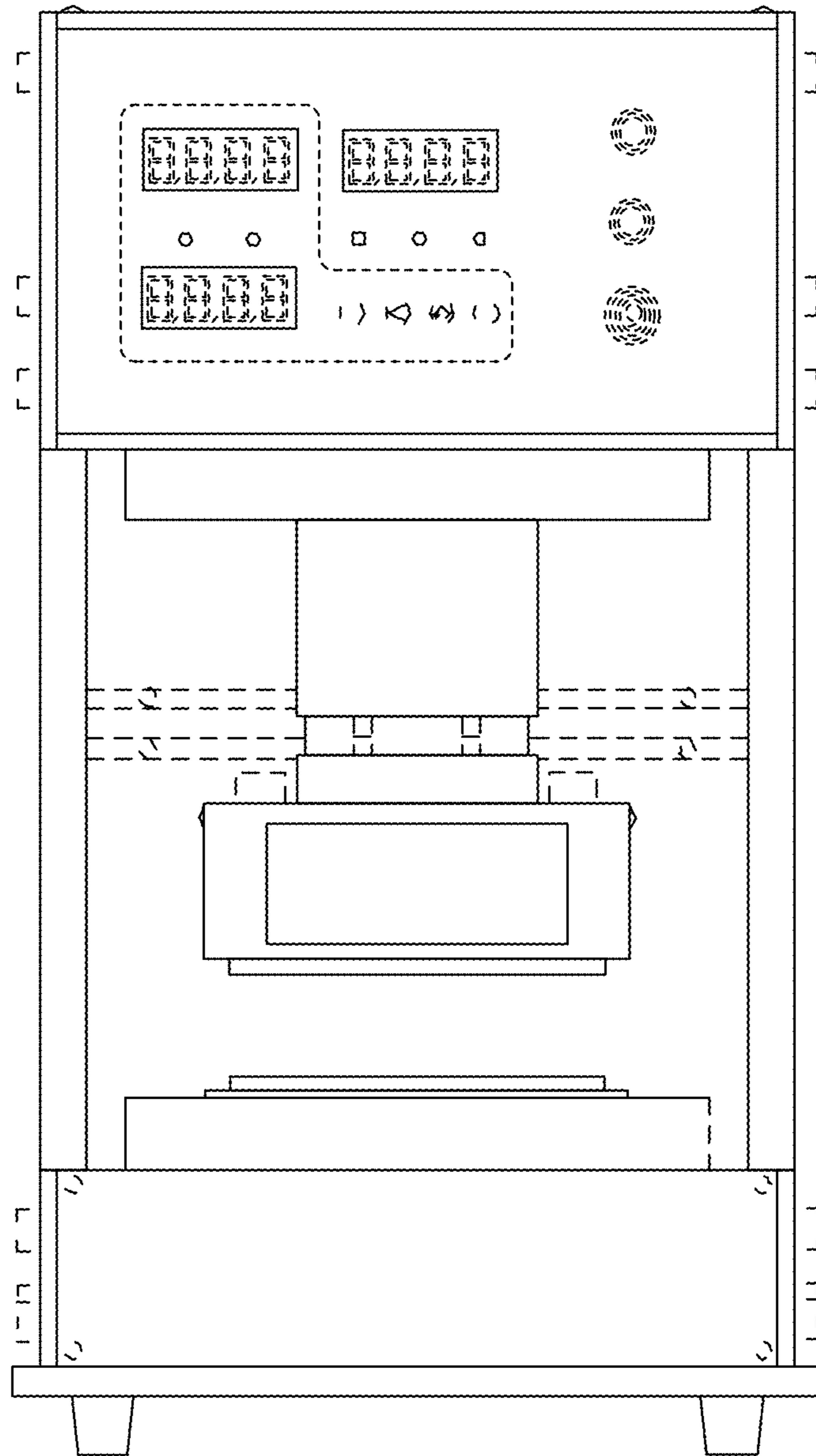


FIG. 9

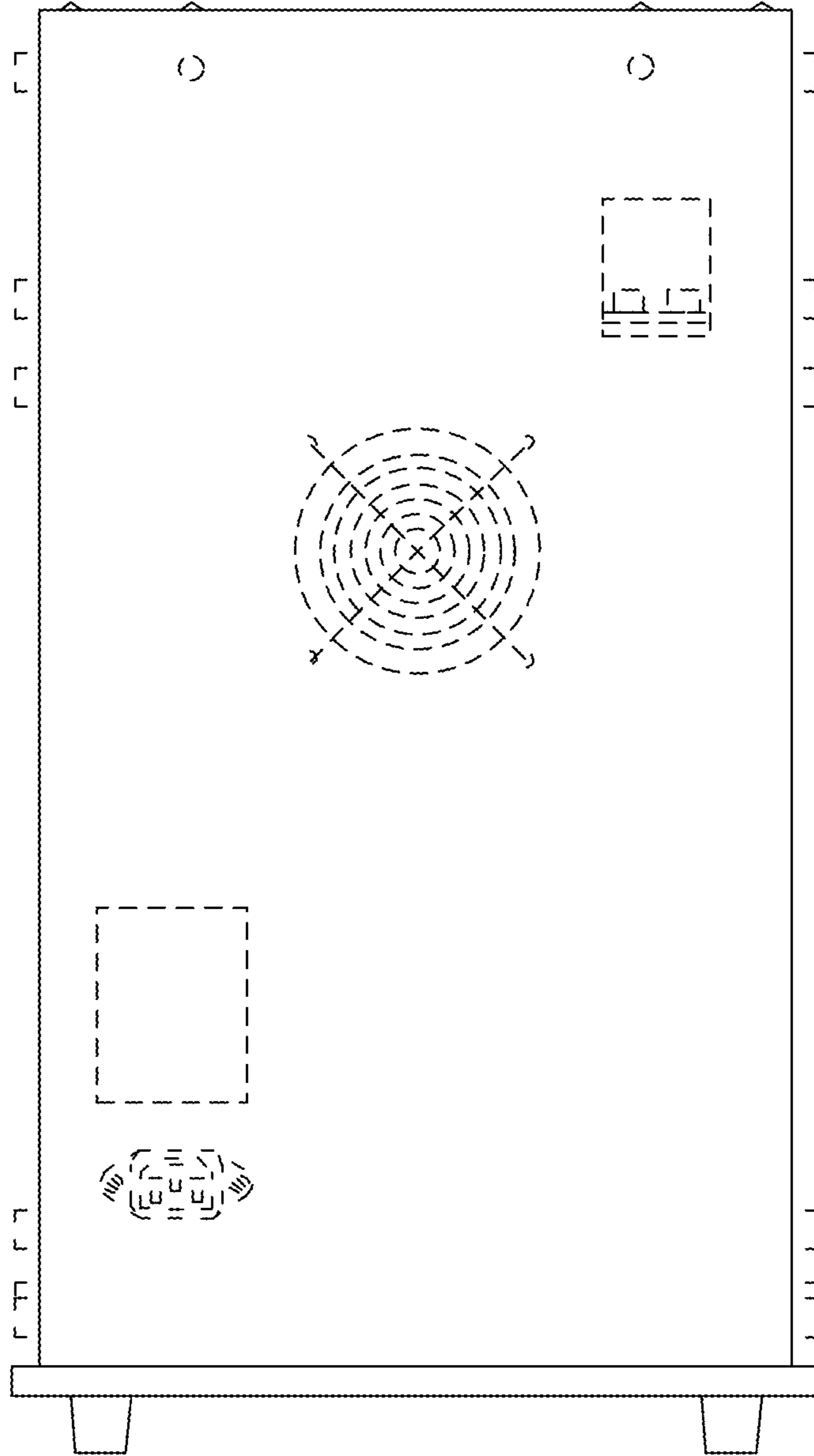


FIG. 10

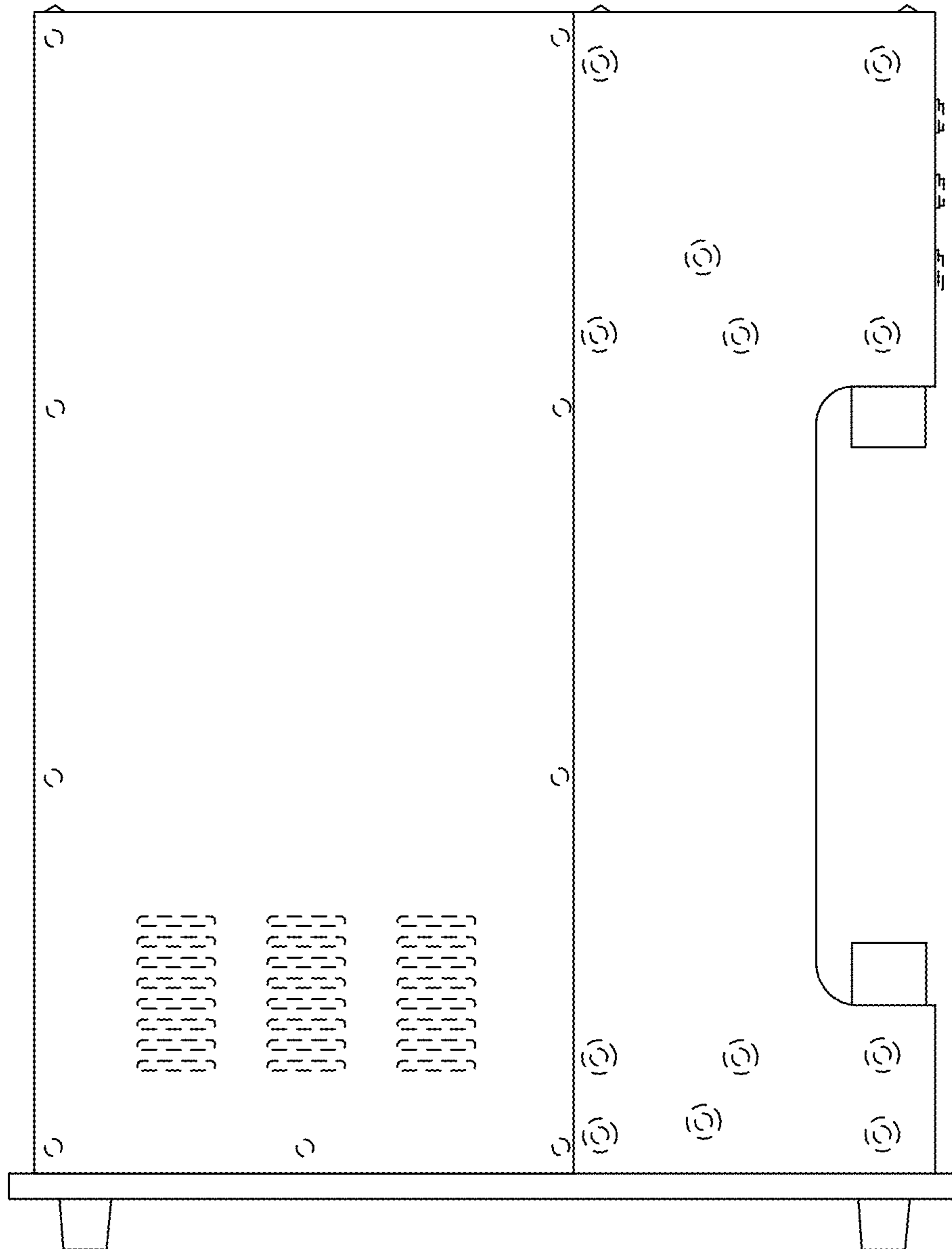


FIG. 11

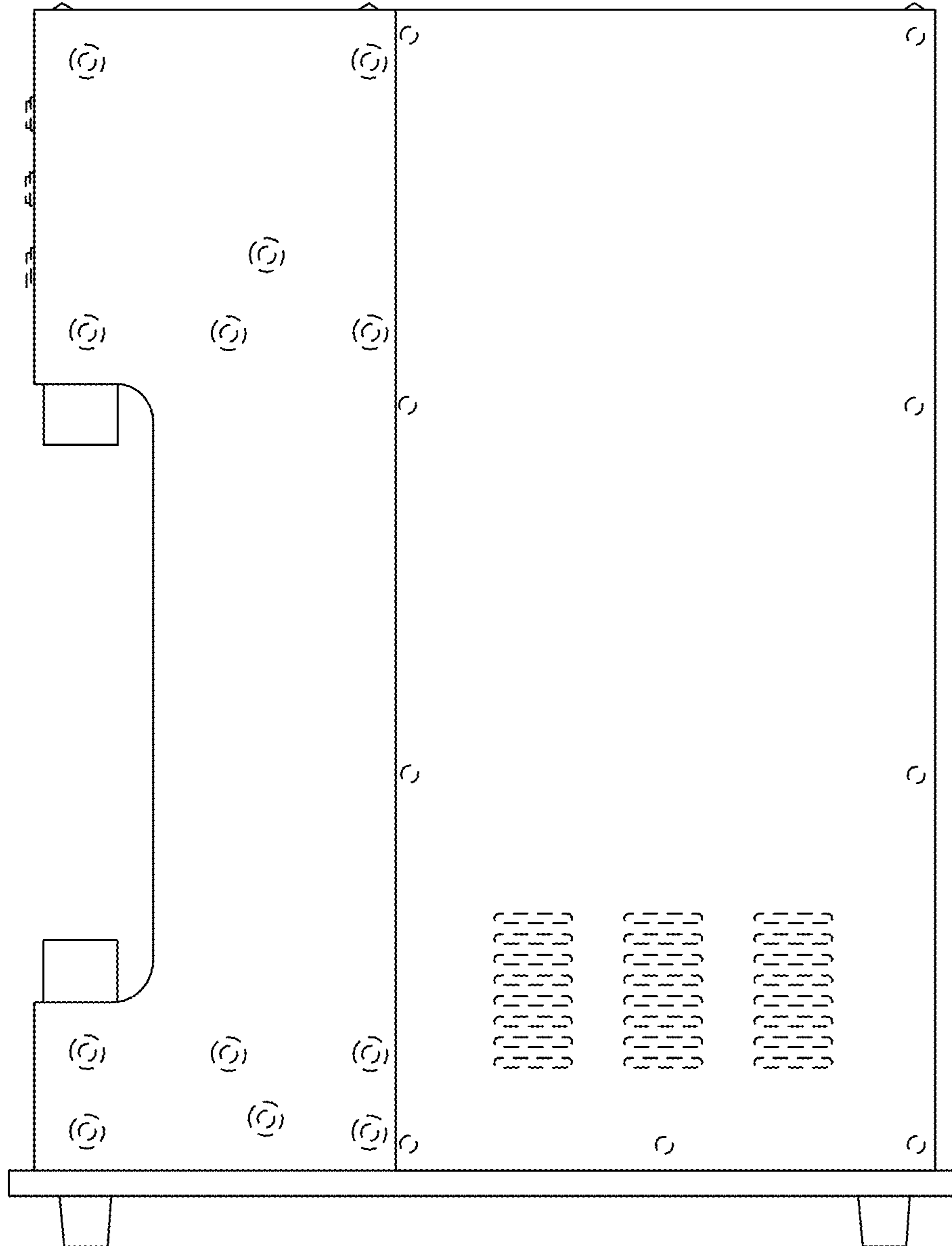


FIG. 12

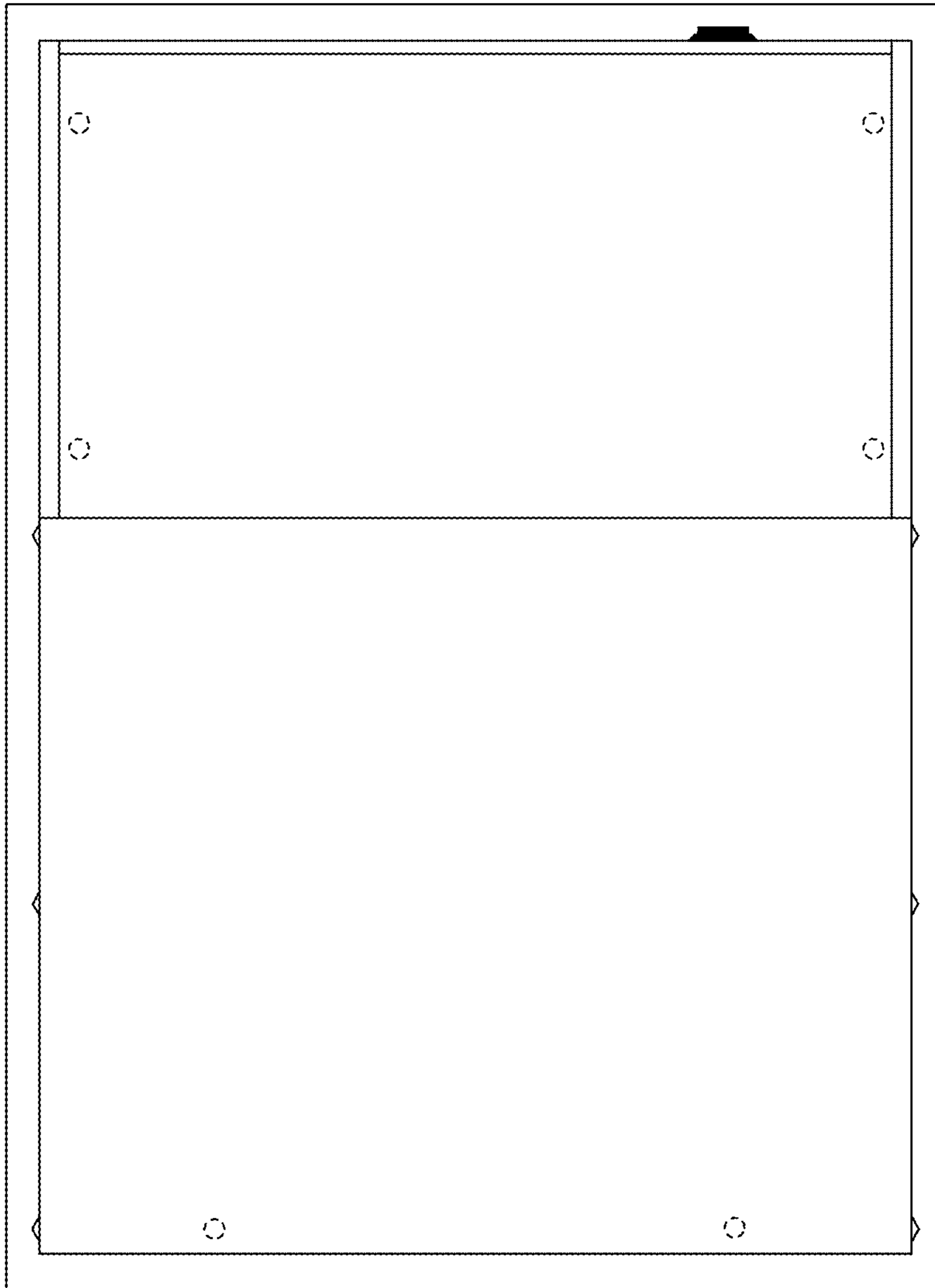


FIG. 13

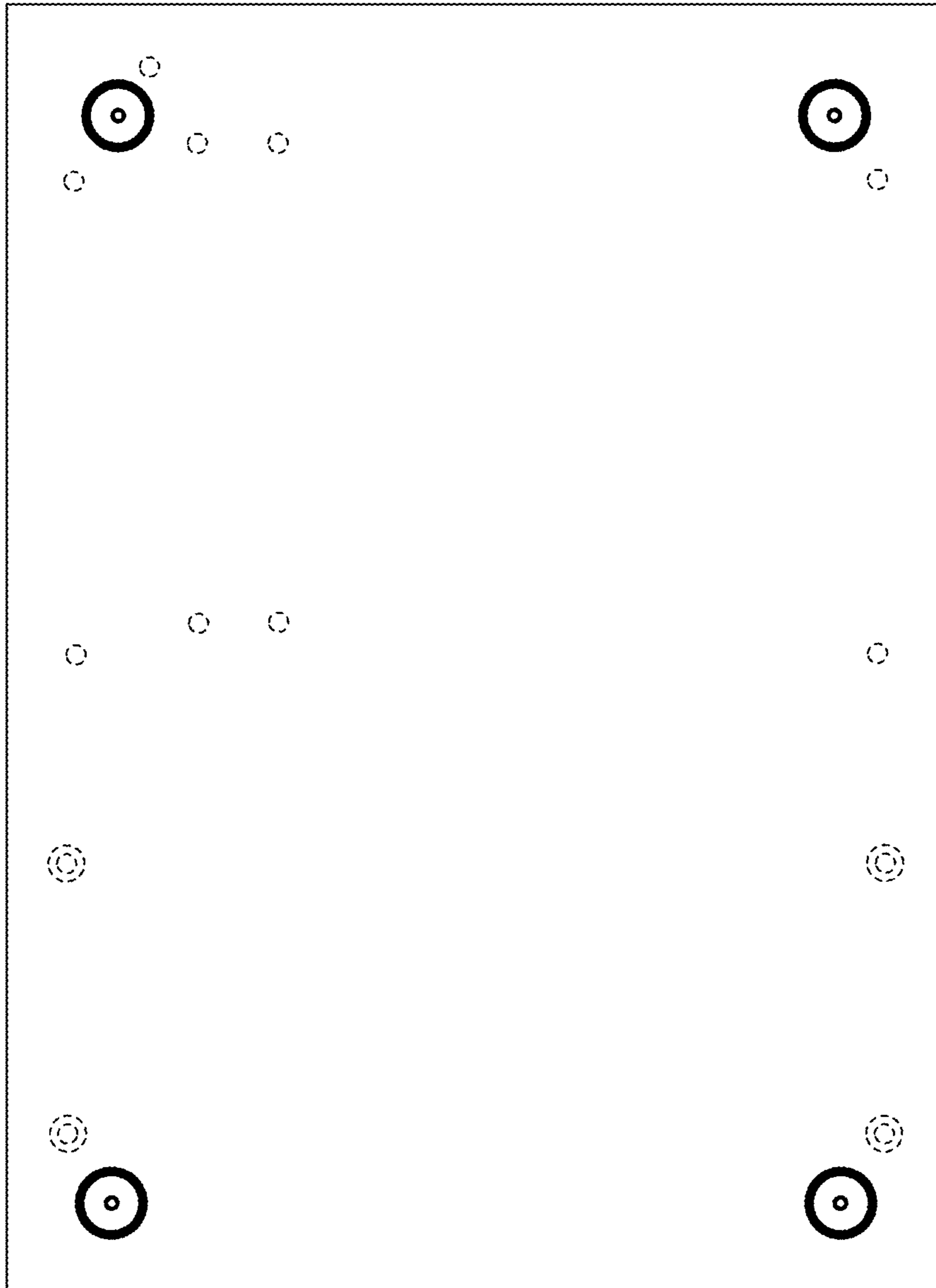


FIG. 14