

US00D867408S

(12) **United States Design Patent**
Wang et al.

(10) **Patent No.:** **US D867,408 S**

(45) **Date of Patent:** **** Nov. 19, 2019**

(54) **REFRIGERATOR**

(71) Applicant: **Husky Refrigerators Mfg Co., Ltd.**,
Foshan, Guangdong (CN)

(72) Inventors: **Wei Wang**, Guangdong (CN); **Yaxue Liu**,
Guangdong (CN)

(73) Assignee: **Husky Refrigerators Mfg Co., Ltd.**,
Foshan (CN)

(**) Term: **15 Years**

(21) Appl. No.: **29/650,605**

(22) Filed: **Jun. 7, 2018**

(51) **LOC (12) Cl.** **15-07**

(52) **U.S. Cl.**
USPC **D15/79**

(58) **Field of Classification Search**
USPC D15/79-91
CPC F25D 17/065; F25D 2317/061; F25D
2323/023; F25D 23/028; F25D 23/126;
F25D 11/02; F25D 2201/126; F25D
2201/1262; F25D 2201/14; F25D
2323/021; F25D 23/02; F25D 23/025;
F25D 23/04; F25D 23/062; F25D 23/064;
F25D 23/065; F25D 23/067; F25D
2400/361; F25D 25/025; F25D 25/04;
F25D 29/005; F25D 29/006; F25D
31/005; F25D 3/06

See application file for complete search history.

(56) **References Cited**

U.S. PATENT DOCUMENTS

D467,450 S * 12/2002 Trulaske, Sr. D15/81
D493,181 S * 7/2004 Kehoe D15/81

D556,792 S * 12/2007 Moran D15/81
D618,257 S * 6/2010 Hanamure D15/79
D693,379 S * 11/2013 Brenneis D15/81
D695,795 S * 12/2013 Schaefer D15/81
D698,371 S * 1/2014 Brenneis D15/81
D737,343 S * 8/2015 Rinderer D15/81
D738,407 S * 9/2015 Rinderer D15/81
D747,367 S * 1/2016 Stolarz D15/81
D787,565 S * 5/2017 Broen D15/81

* cited by examiner

Primary Examiner — Khawaja Anwar

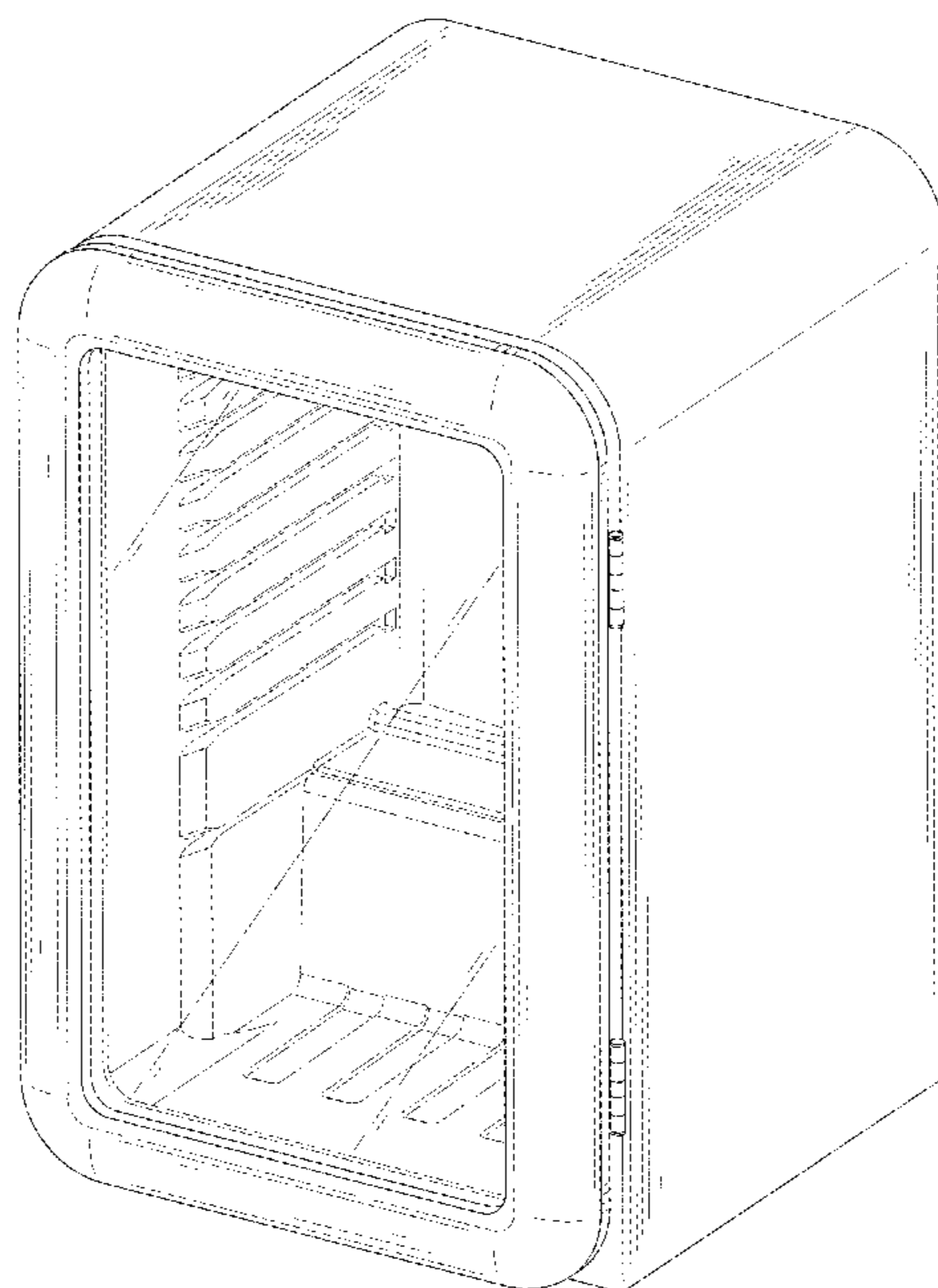
(57) **CLAIM**

The ornamental design for a refrigerator, as shown and described.

DESCRIPTION

FIG. 1 is a top, front and right side perspective view of a refrigerator showing our new design;
FIG. 2 is a bottom, front and left side perspective view thereof;
FIG. 3 is a front elevational view thereof;
FIG. 4 is a rear elevational view thereof;
FIG. 5 is a left side view thereof;
FIG. 6 is a right side view thereof;
FIG. 7 is a top plan view thereof;
FIG. 8 is a bottom plan view thereof; and,
FIG. 9 is a bottom, front and left side perspective view showing the refrigerator in an open state.
The broken lines in the drawings illustrate portions of the refrigerator which form no part of the claimed design. The oblique shade lines in the drawings indicate transparency.

1 Claim, 9 Drawing Sheets



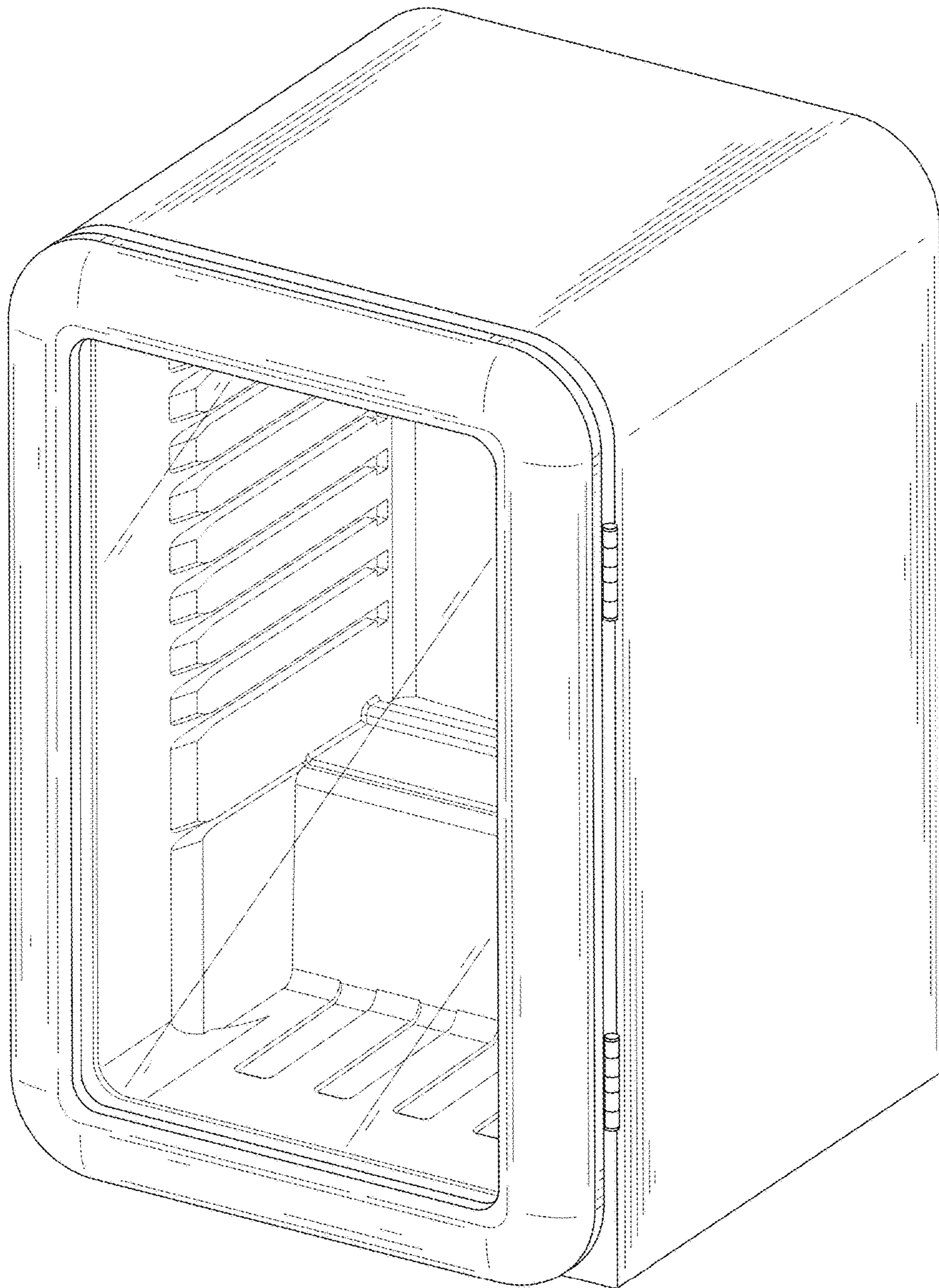


FIG. 1

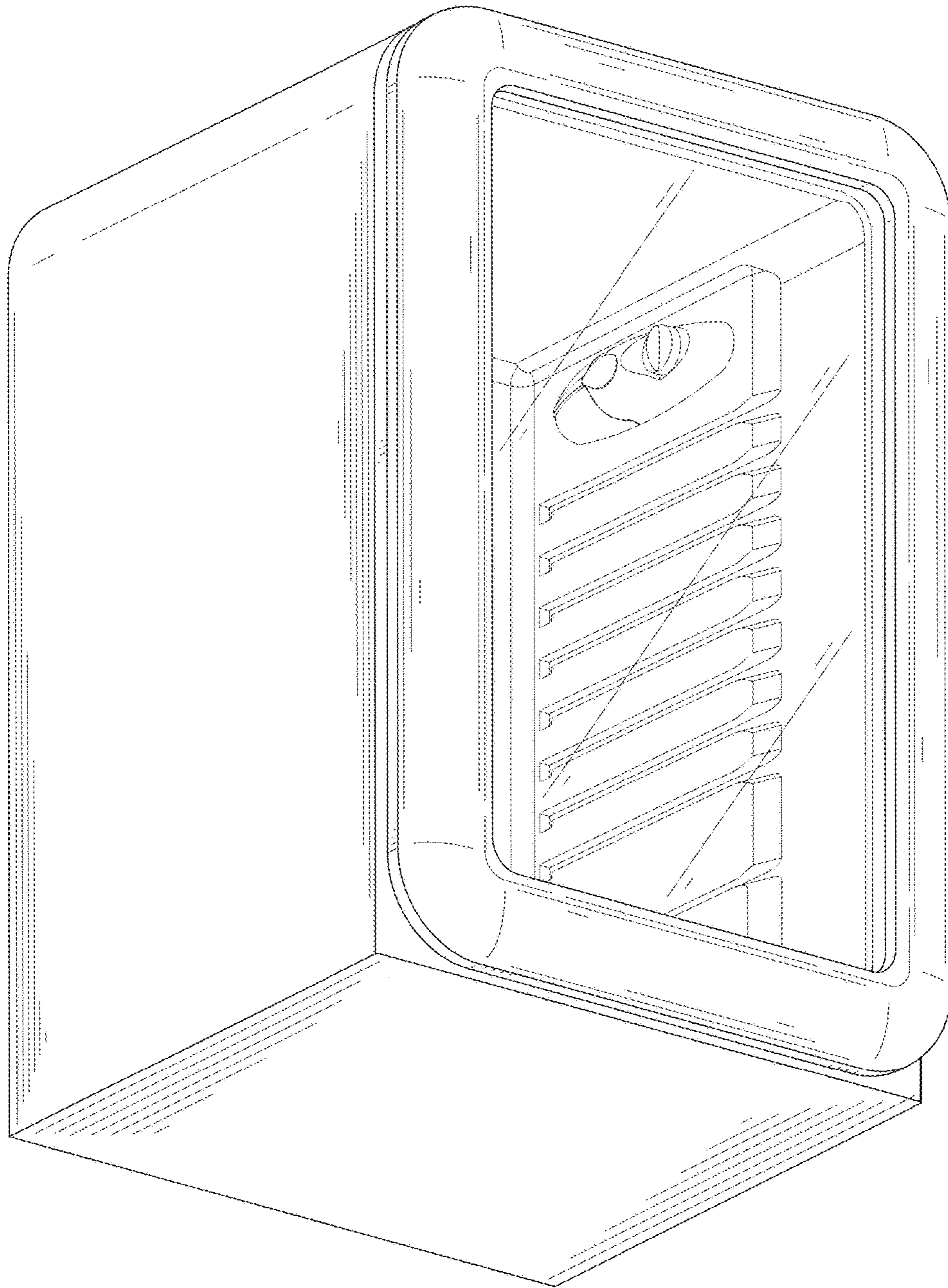


FIG. 2

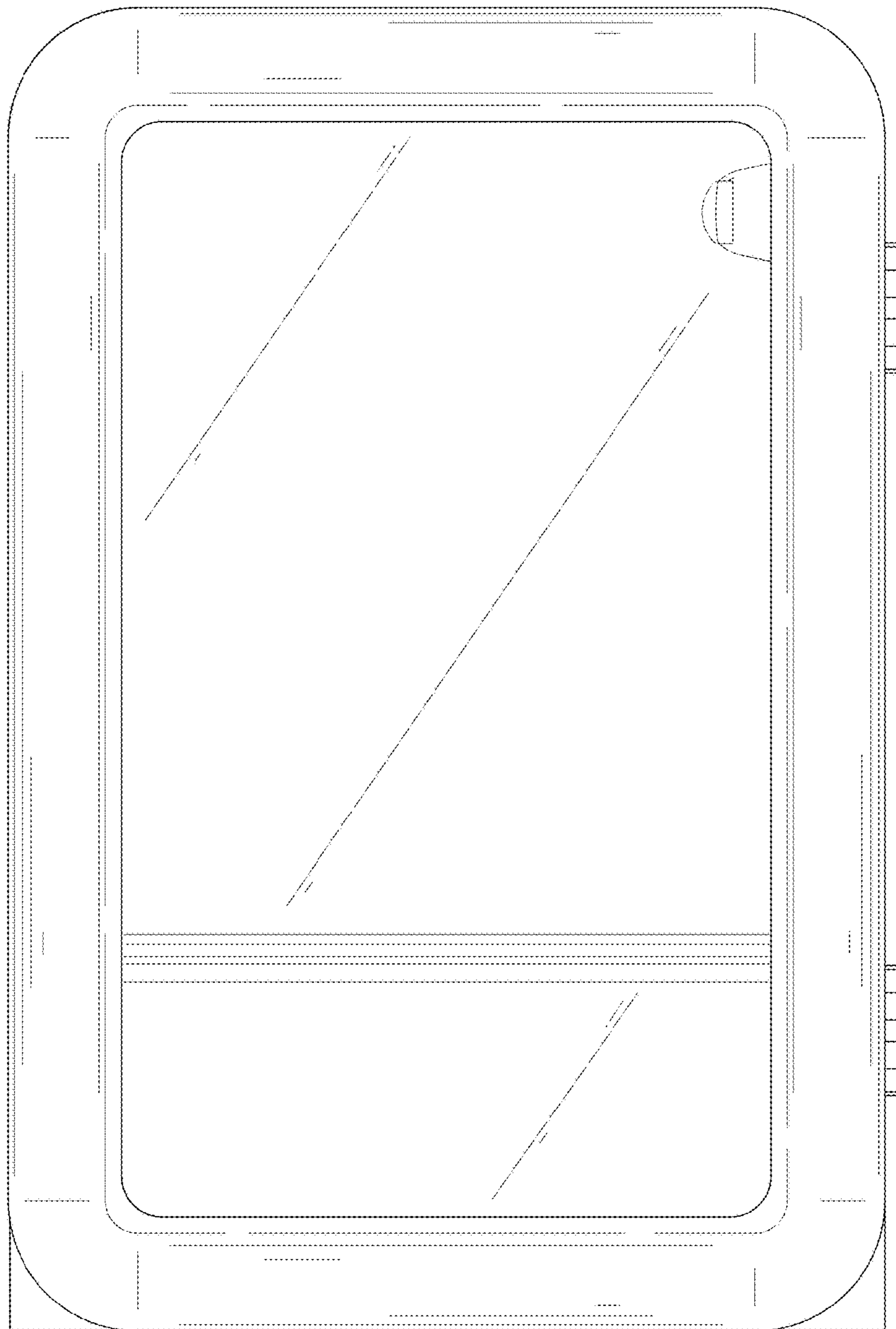


FIG. 3

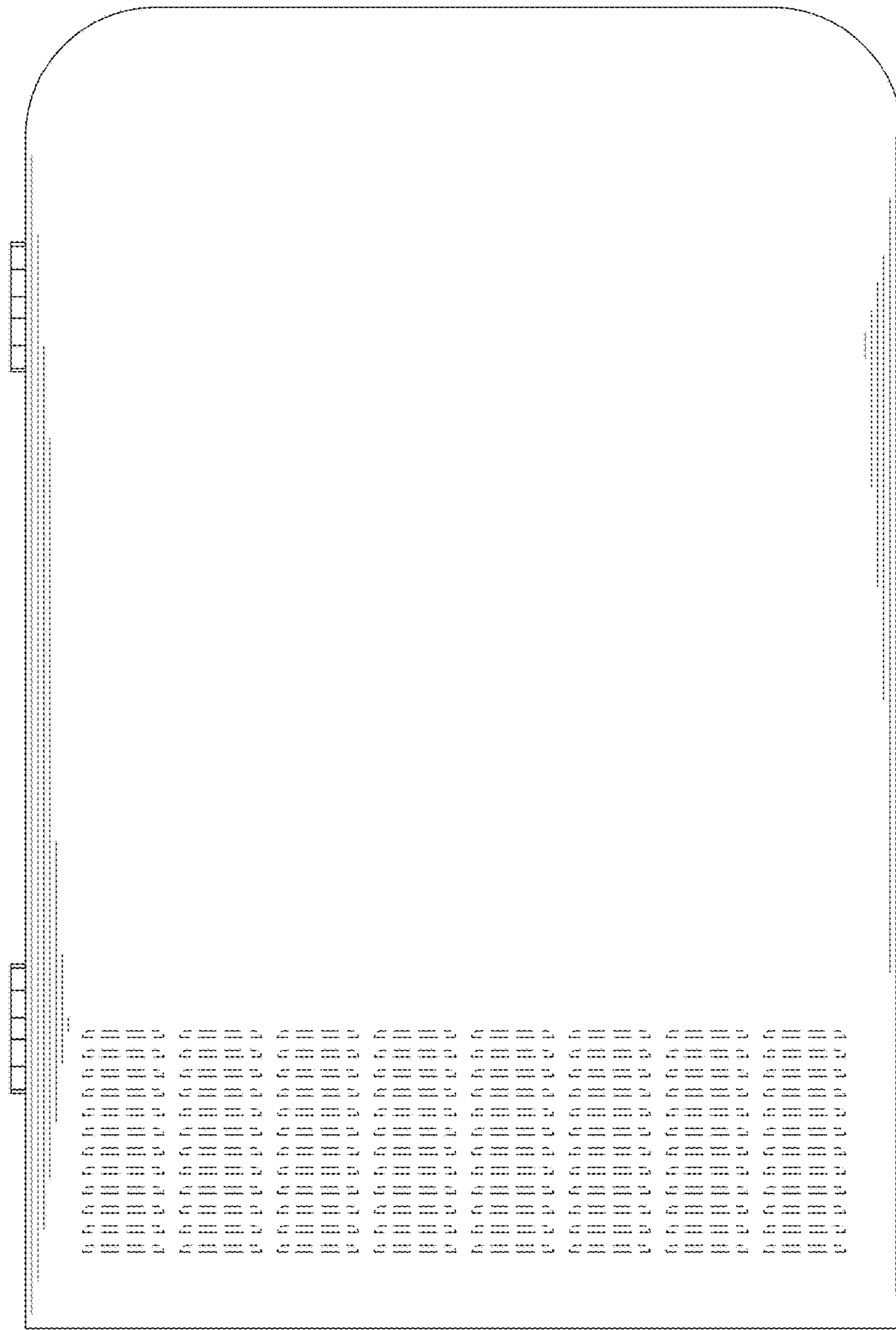


FIG. 4

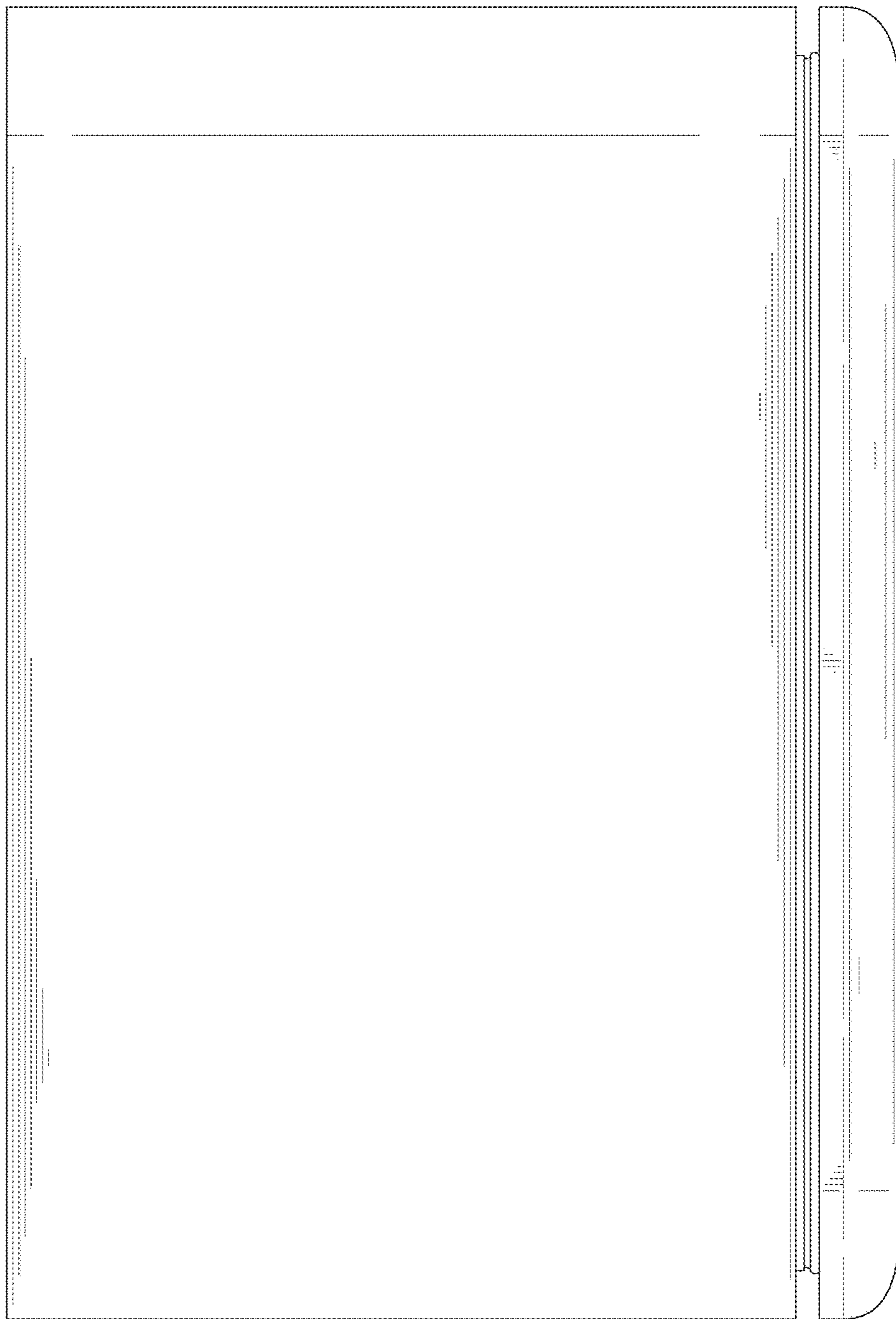


FIG. 5

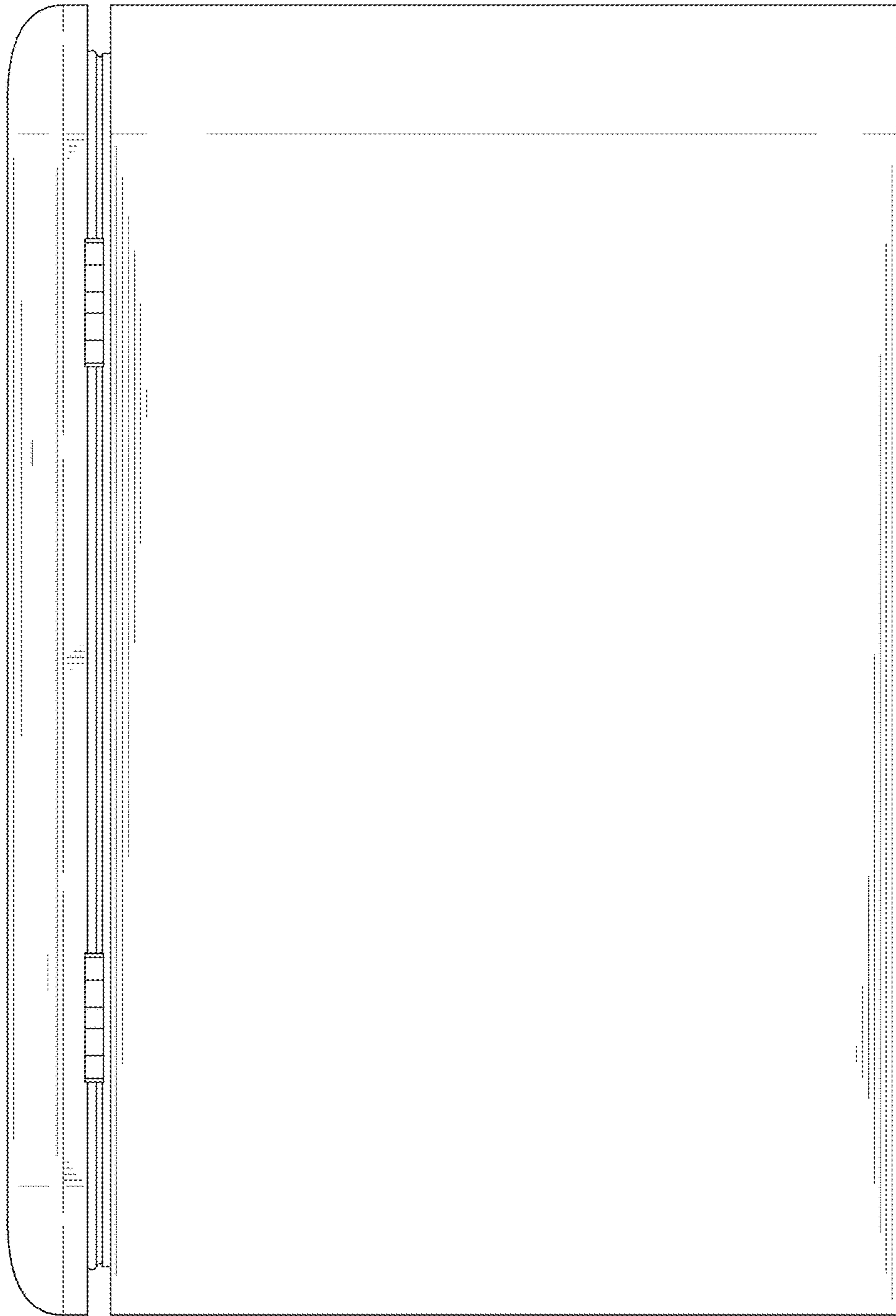


FIG. 6

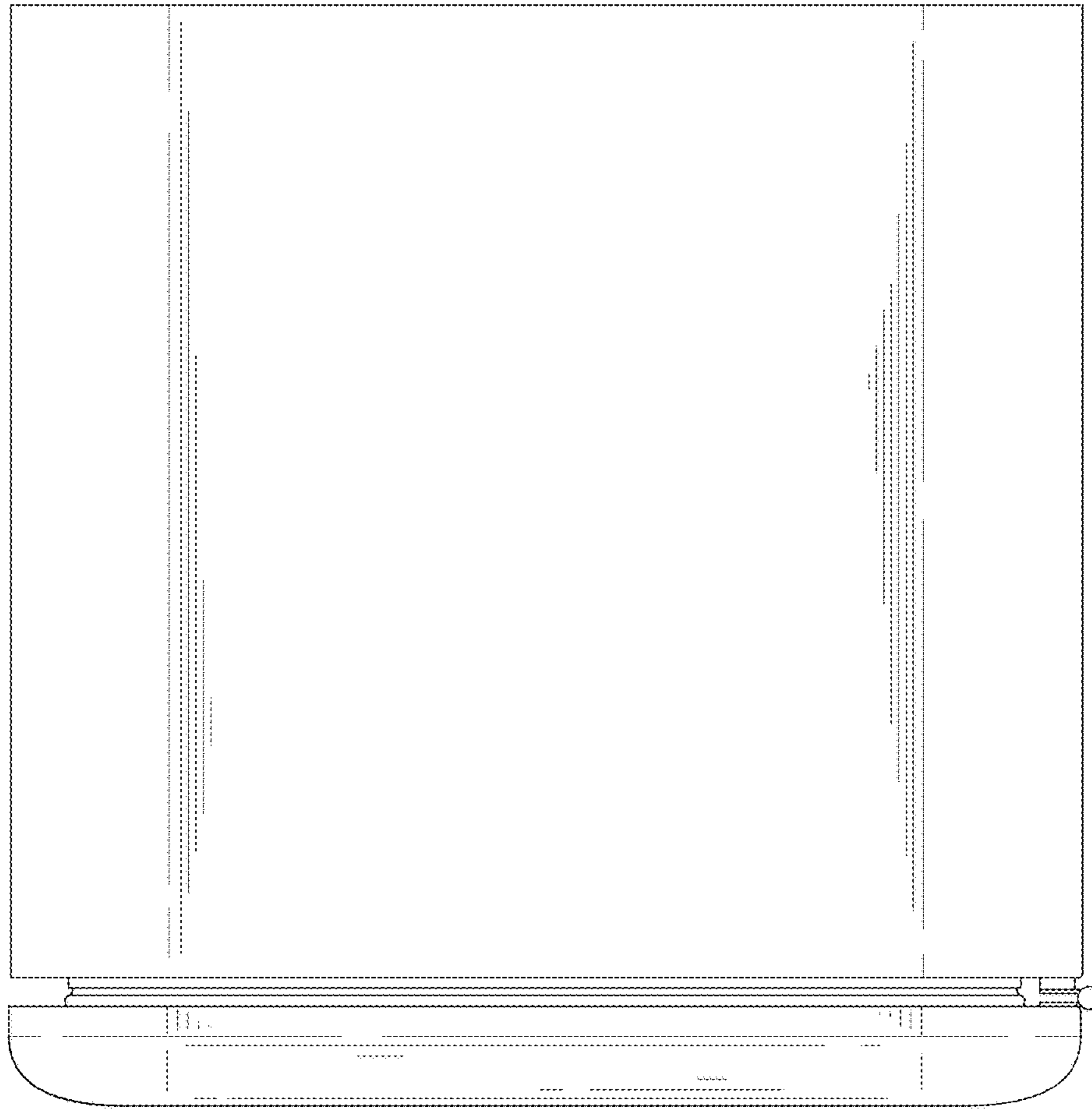


FIG. 7

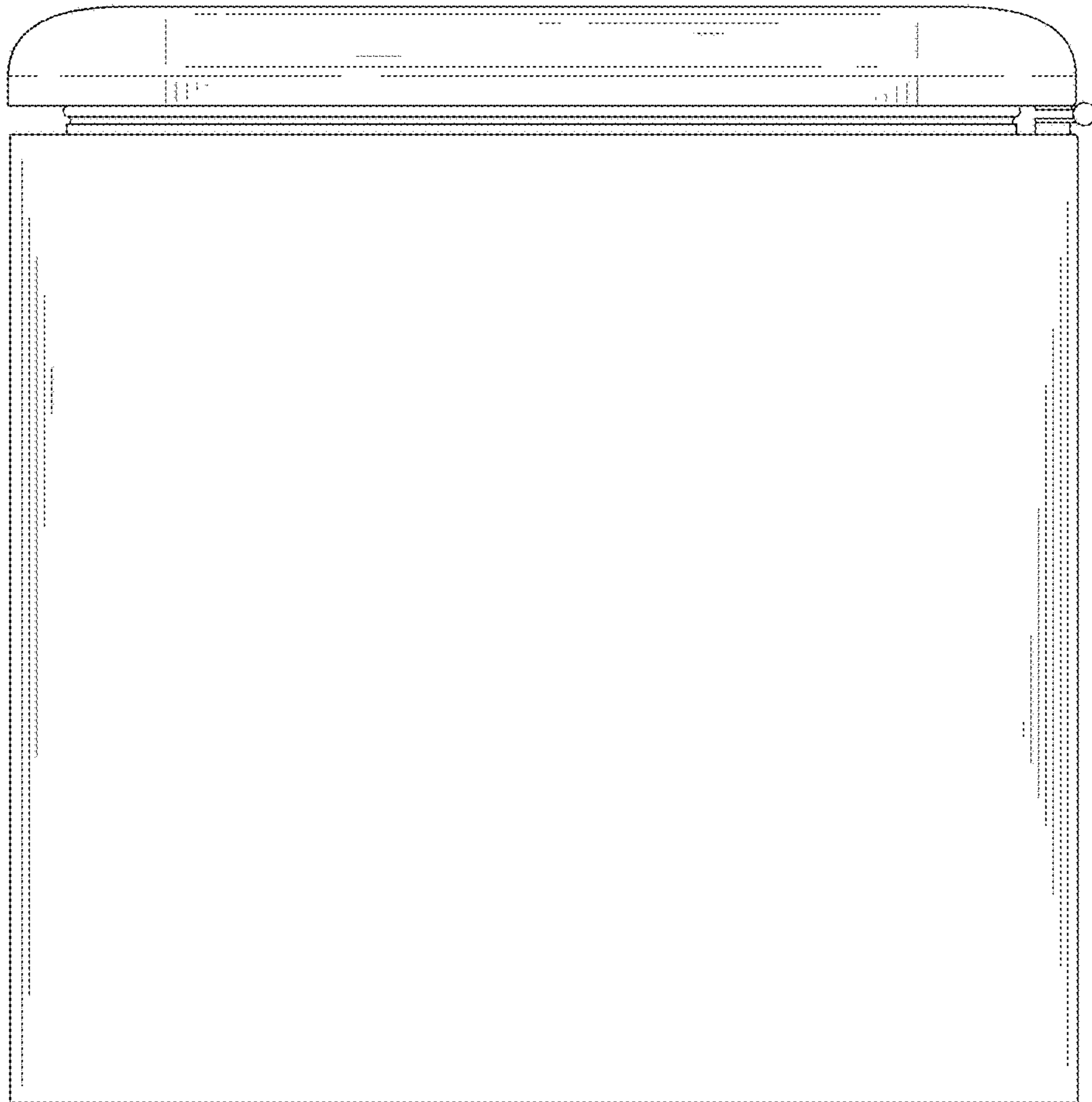


FIG. 8

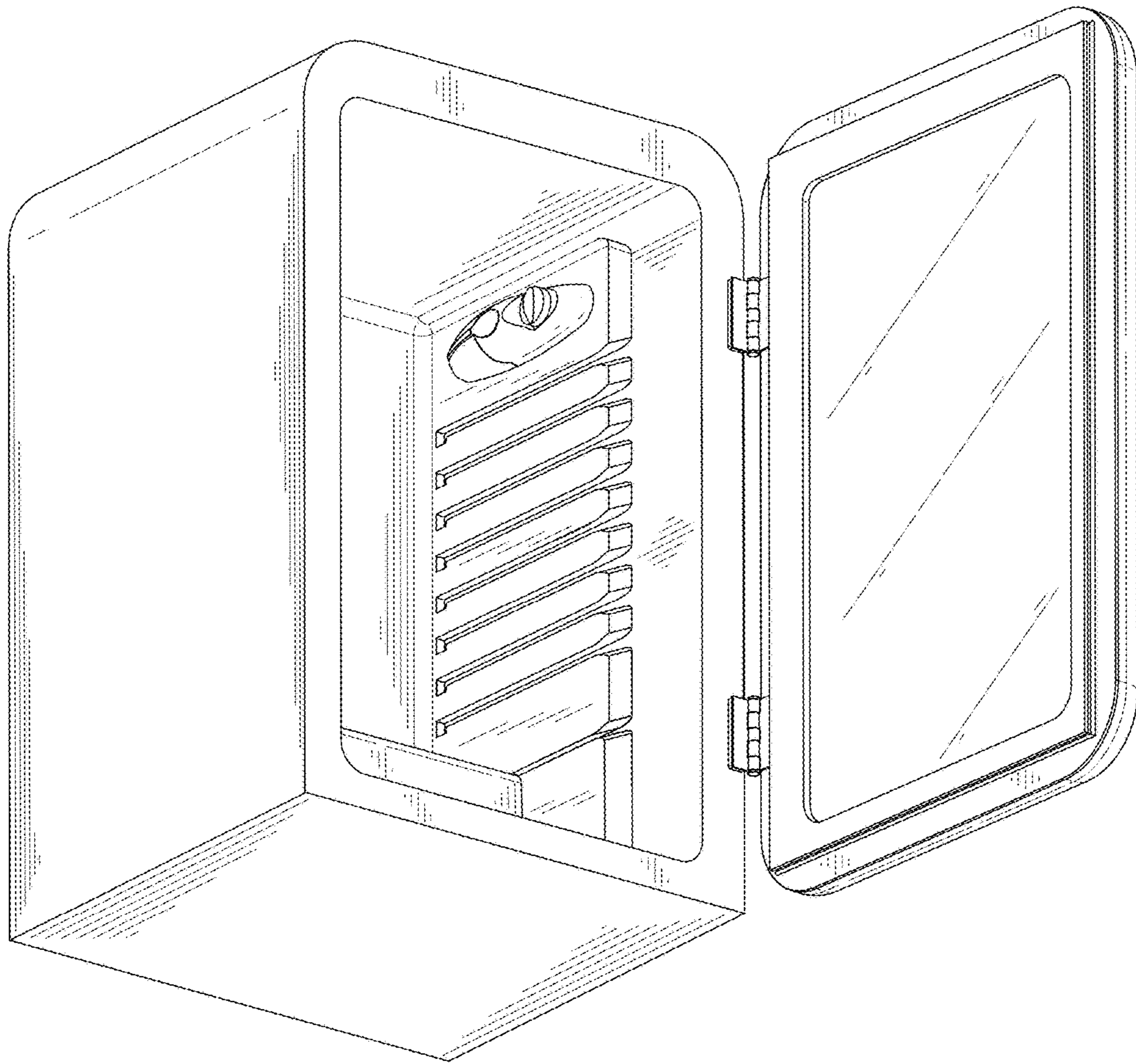


FIG. 9