



US00D867407S

(12) **United States Design Patent**
Wang et al.

(10) **Patent No.:** **US D867,407 S**

(45) **Date of Patent:** **** Nov. 19, 2019**

(54) **REFRIGERATOR**

(71) Applicant: **Husky Refrigerators Mfg Co., Ltd.**,
Foshan, Guangdong (CN)

(72) Inventors: **Wei Wang**, Guangdong (CN); **Yaxue Liu**,
Guangdong (CN)

(73) Assignee: **Husky Refrigerators Mfg Co., Ltd.**,
Foshan (CN)

(**) Term: **15 Years**

(21) Appl. No.: **29/650,602**

(22) Filed: **Jun. 7, 2018**

(51) **LOC (12) Cl.** **15-07**

(52) **U.S. Cl.**
USPC **D15/79**

(58) **Field of Classification Search**
USPC D15/79-91
CPC F25D 17/065; F25D 2317/061; F25D
2323/023; F25D 23/028; F25D 23/126;
F25D 11/02; F25D 2201/126; F25D
2201/1262; F25D 2201/14; F25D
2323/021; F25D 23/02; F25D 23/025;
F25D 23/04; F25D 23/062; F25D 23/064;
F25D 23/065; F25D 23/067; F25D
2400/361; F25D 25/025; F25D 25/04;
F25D 29/005; F25D 29/006; F25D
31/005; F25D 3/06

See application file for complete search history.

(56) **References Cited**

U.S. PATENT DOCUMENTS

D467,450 S * 12/2002 Trulaske, Sr. D15/81
D493,181 S * 7/2004 Kehoe D15/81

D556,792 S * 12/2007 Moran D15/81
D618,257 S * 6/2010 Hanamure D15/79
D693,379 S * 11/2013 Brenneis D15/81
D695,795 S * 12/2013 Schaefer D15/81
D698,371 S * 1/2014 Brenneis D15/81
D737,343 S * 8/2015 Rinderer D15/81
D738,407 S * 9/2015 Rinderer D15/81
D747,367 S * 1/2016 Stolarz D15/81
D787,565 S * 5/2017 Broen D15/81

* cited by examiner

Primary Examiner — Khawaja Anwar

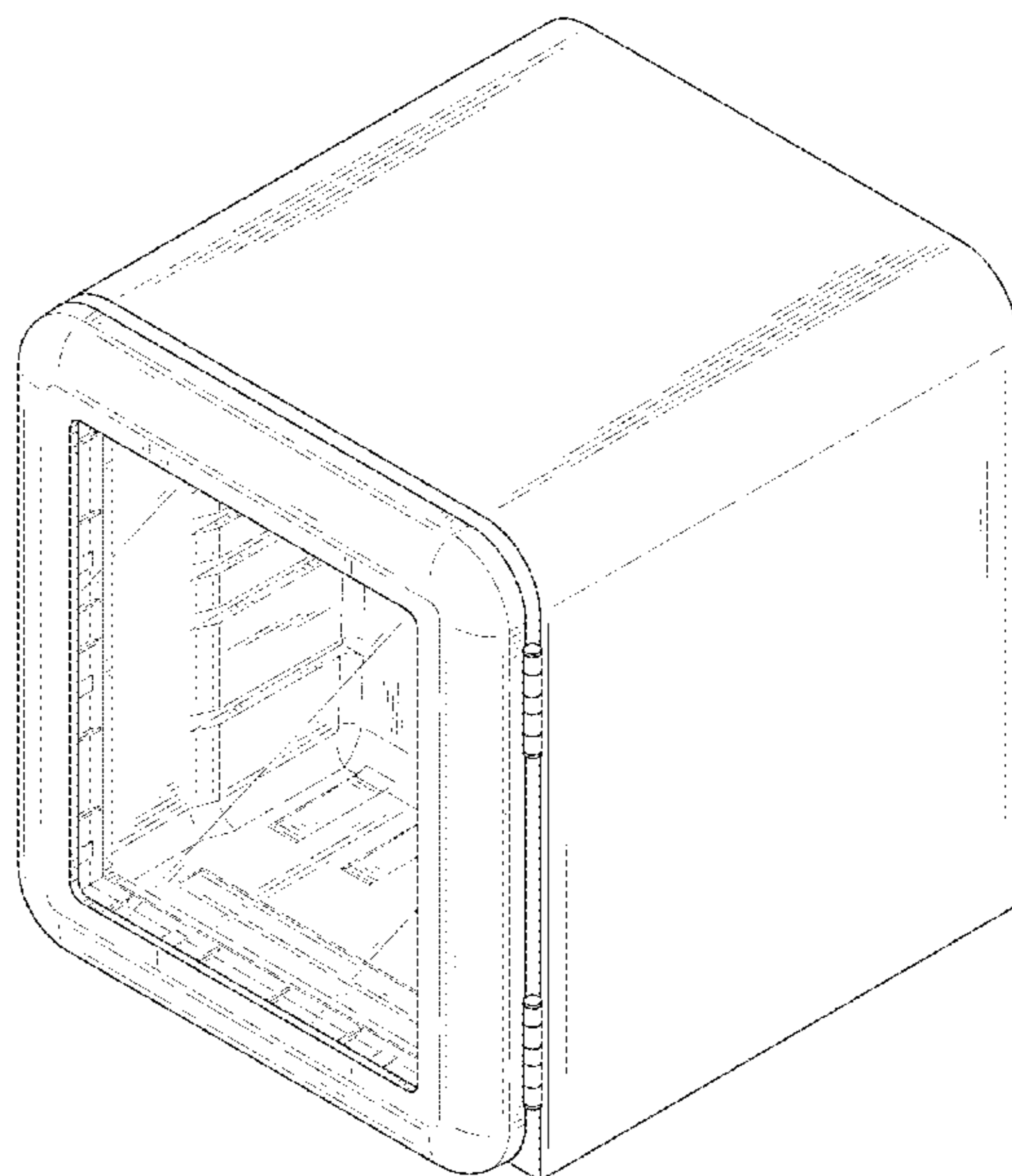
(57) **CLAIM**

The ornamental design for a refrigerator, as shown and described.

DESCRIPTION

FIG. 1 is a top, front and right side perspective view of a refrigerator showing our new design;
FIG. 2 is a top, front and left side perspective view thereof;
FIG. 3 is a bottom, front and right side perspective view thereof;
FIG. 4 is a front elevational view thereof;
FIG. 5 is a rear elevational view thereof;
FIG. 6 is a left side view thereof;
FIG. 7 is a right side view thereof;
FIG. 8 is a top plan view thereof;
FIG. 9 is a bottom plan view thereof; and,
FIG. 10 is a top, front and left side perspective view showing the refrigerator in an open state.
The oblique shade lines in the drawings indicate transparency.

1 Claim, 10 Drawing Sheets



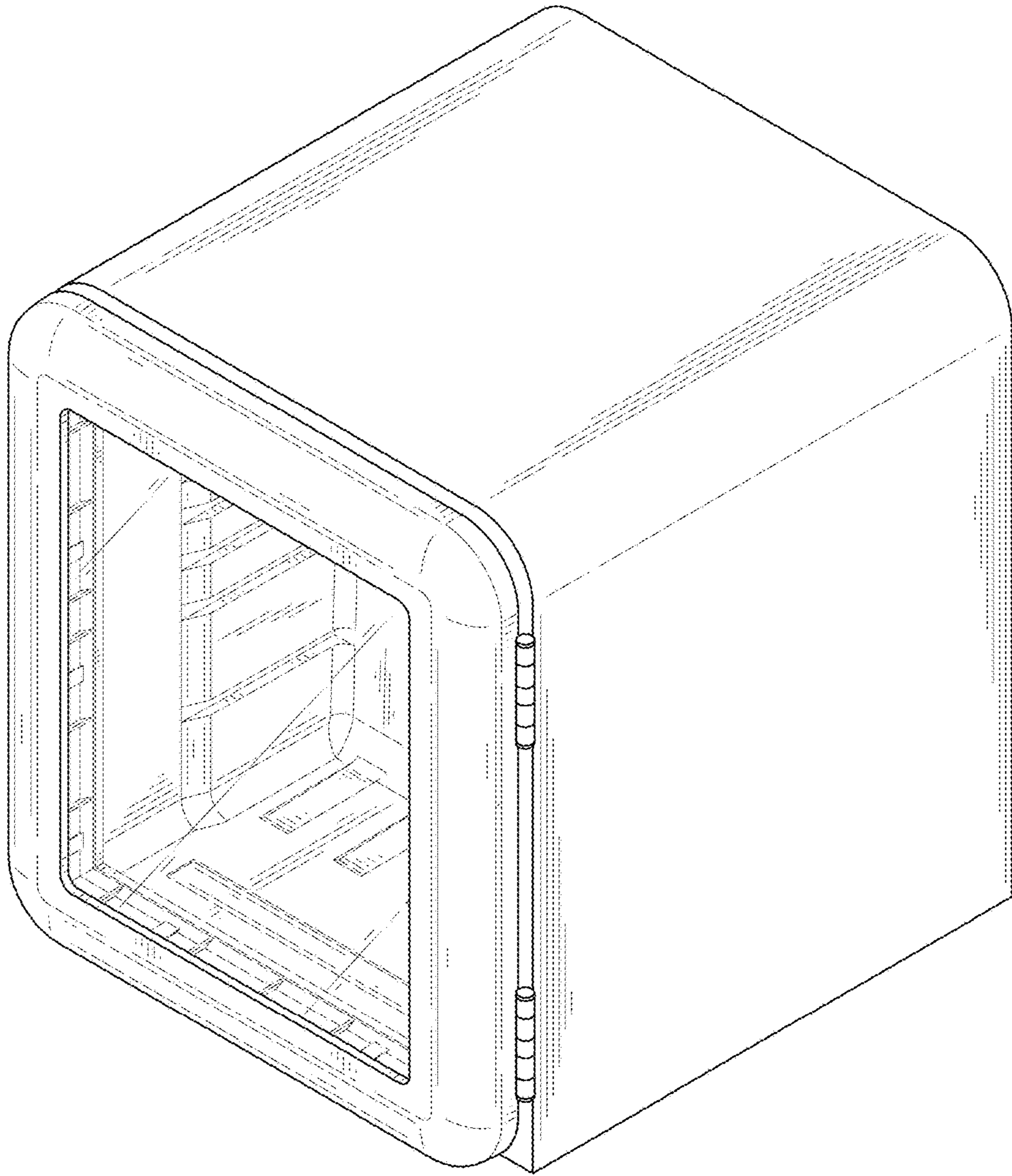


FIG. 1

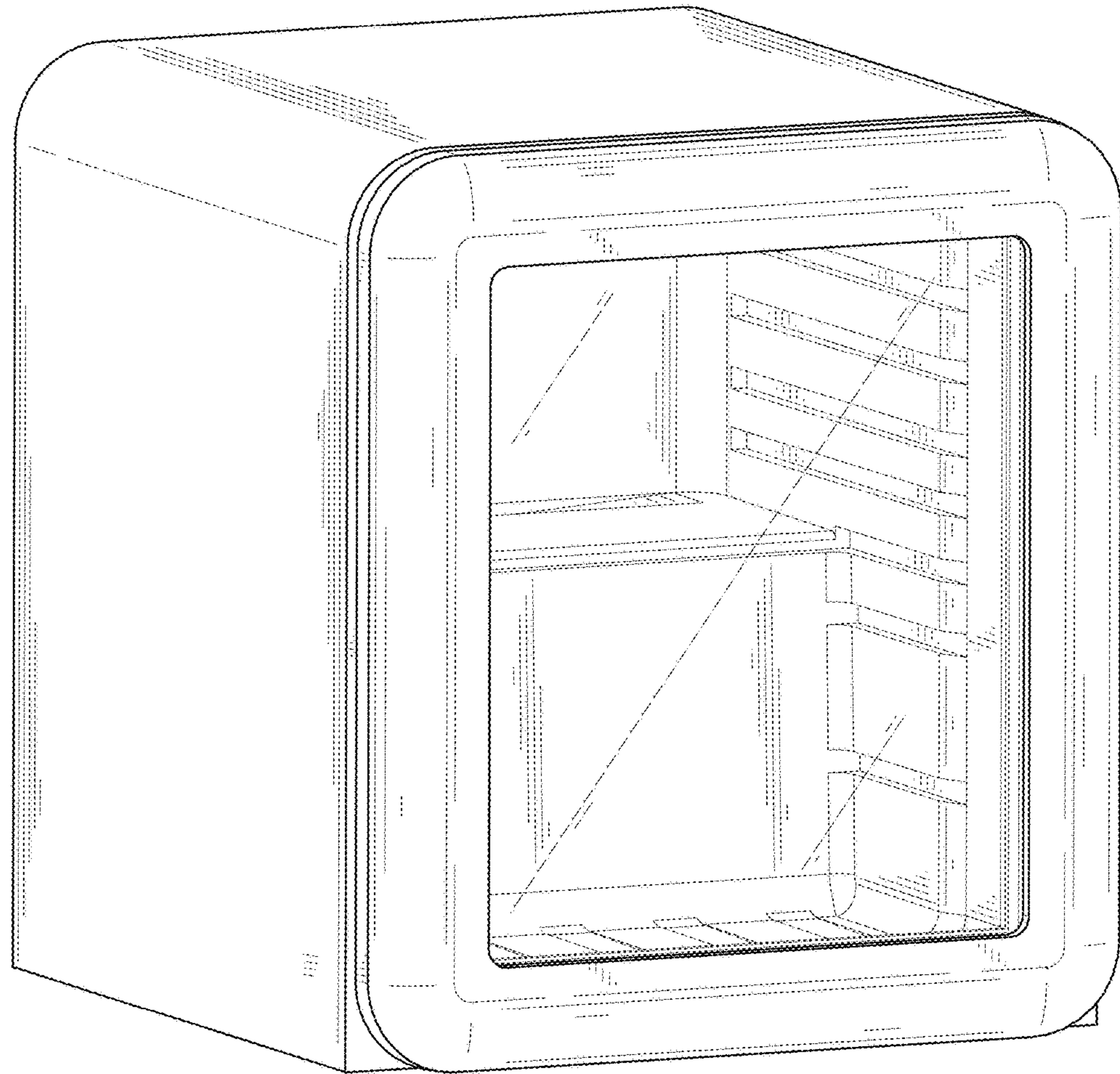


FIG. 2

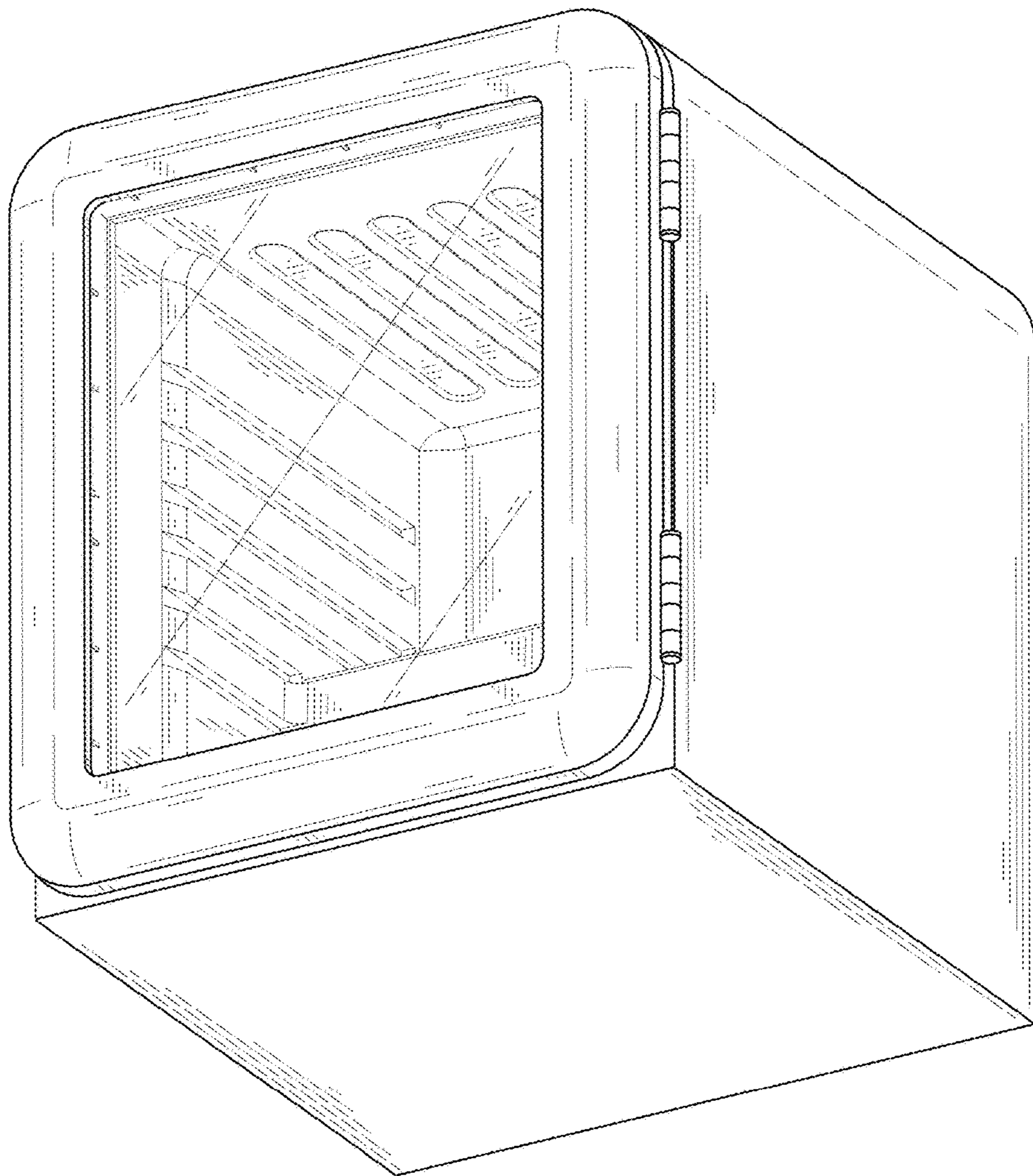


FIG. 3

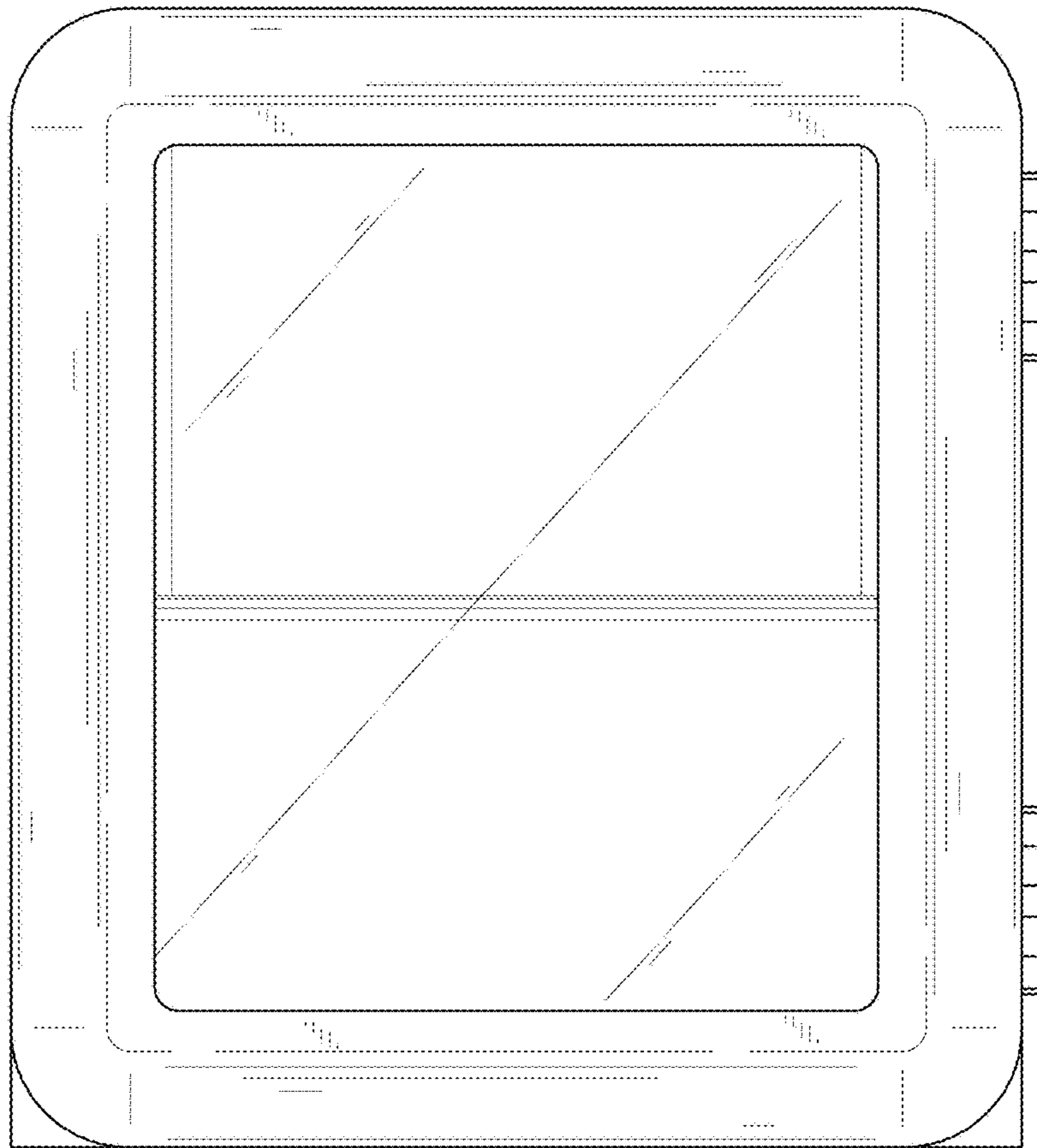


FIG. 4

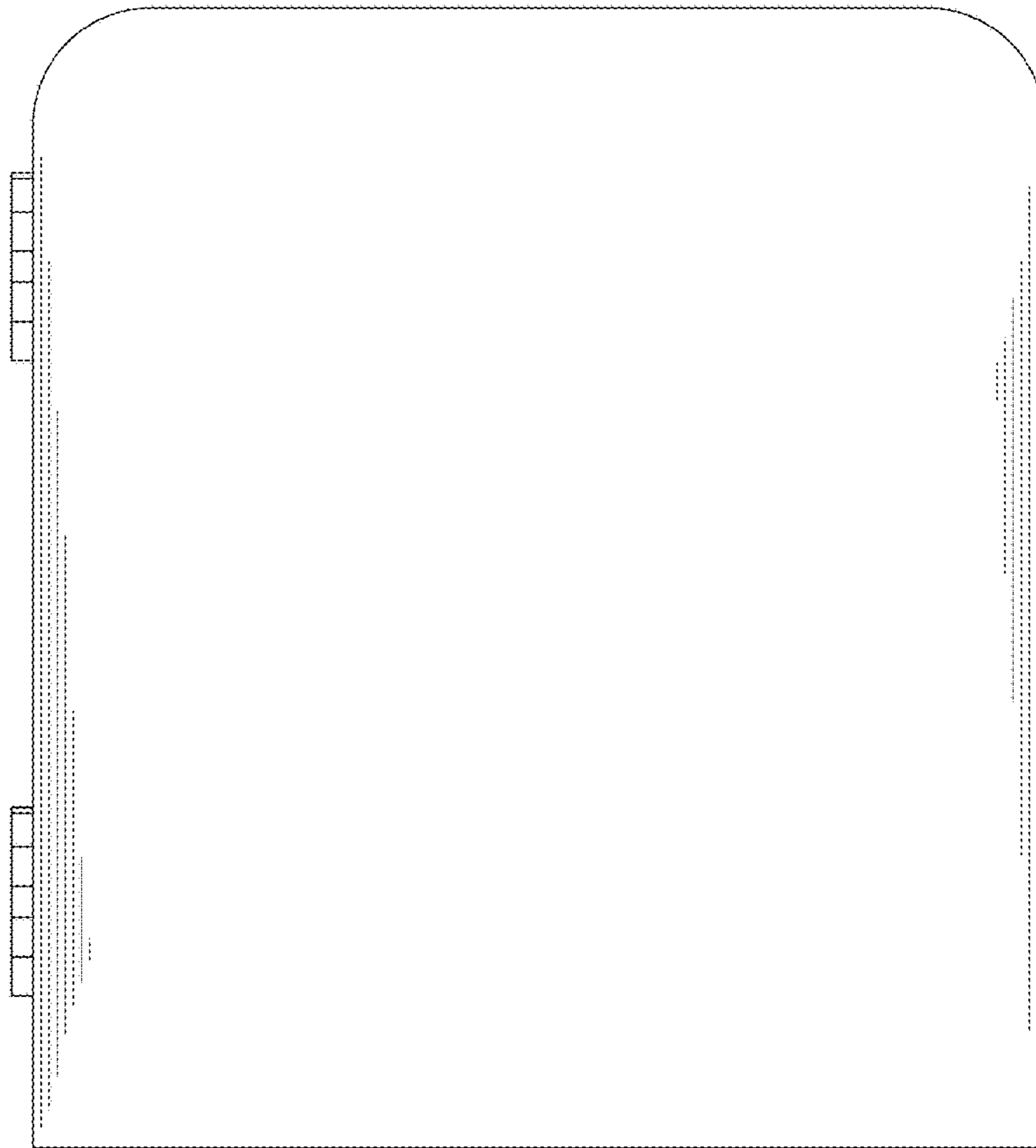


FIG. 5

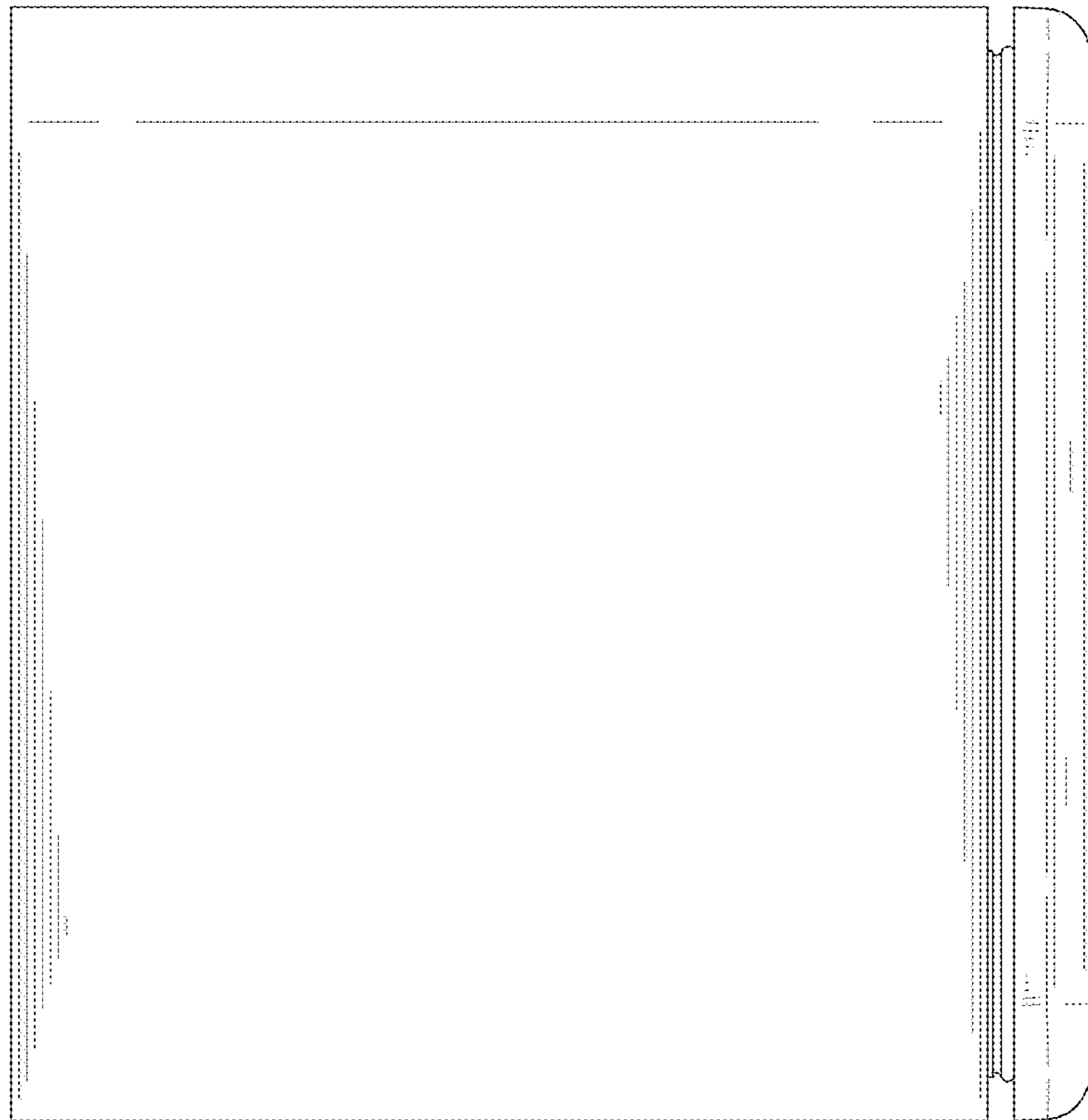


FIG. 6

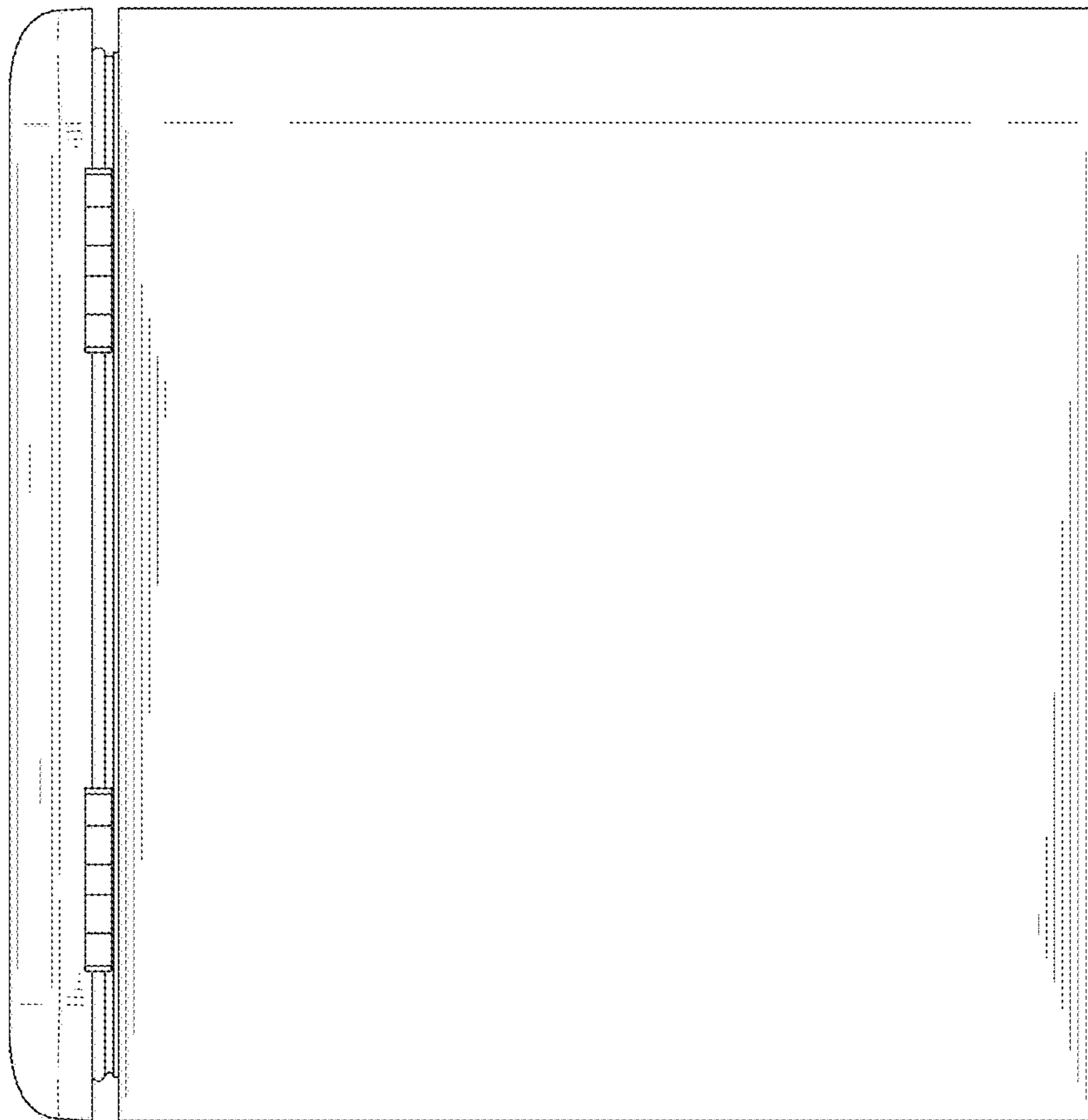


FIG. 7

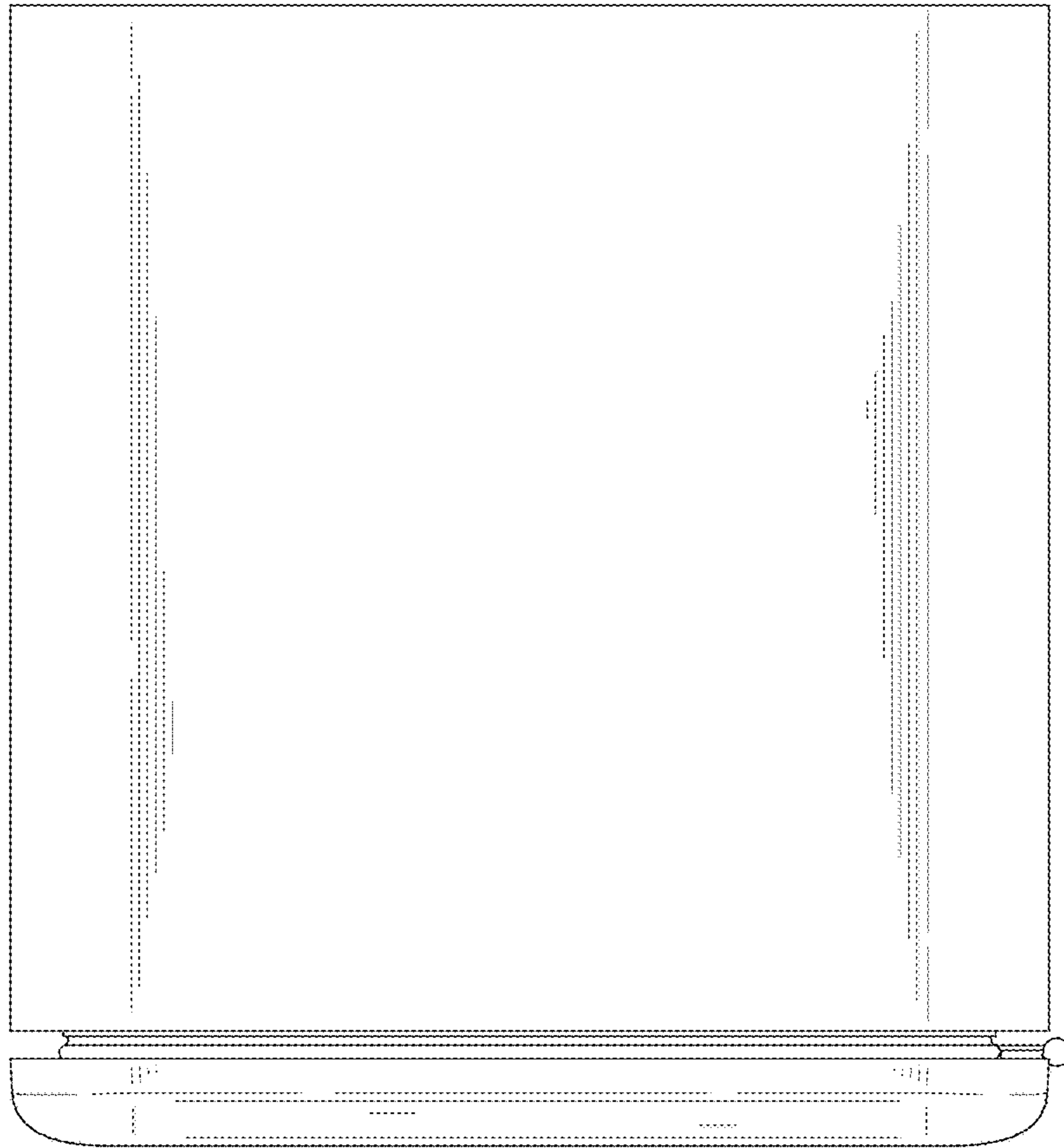


FIG. 8

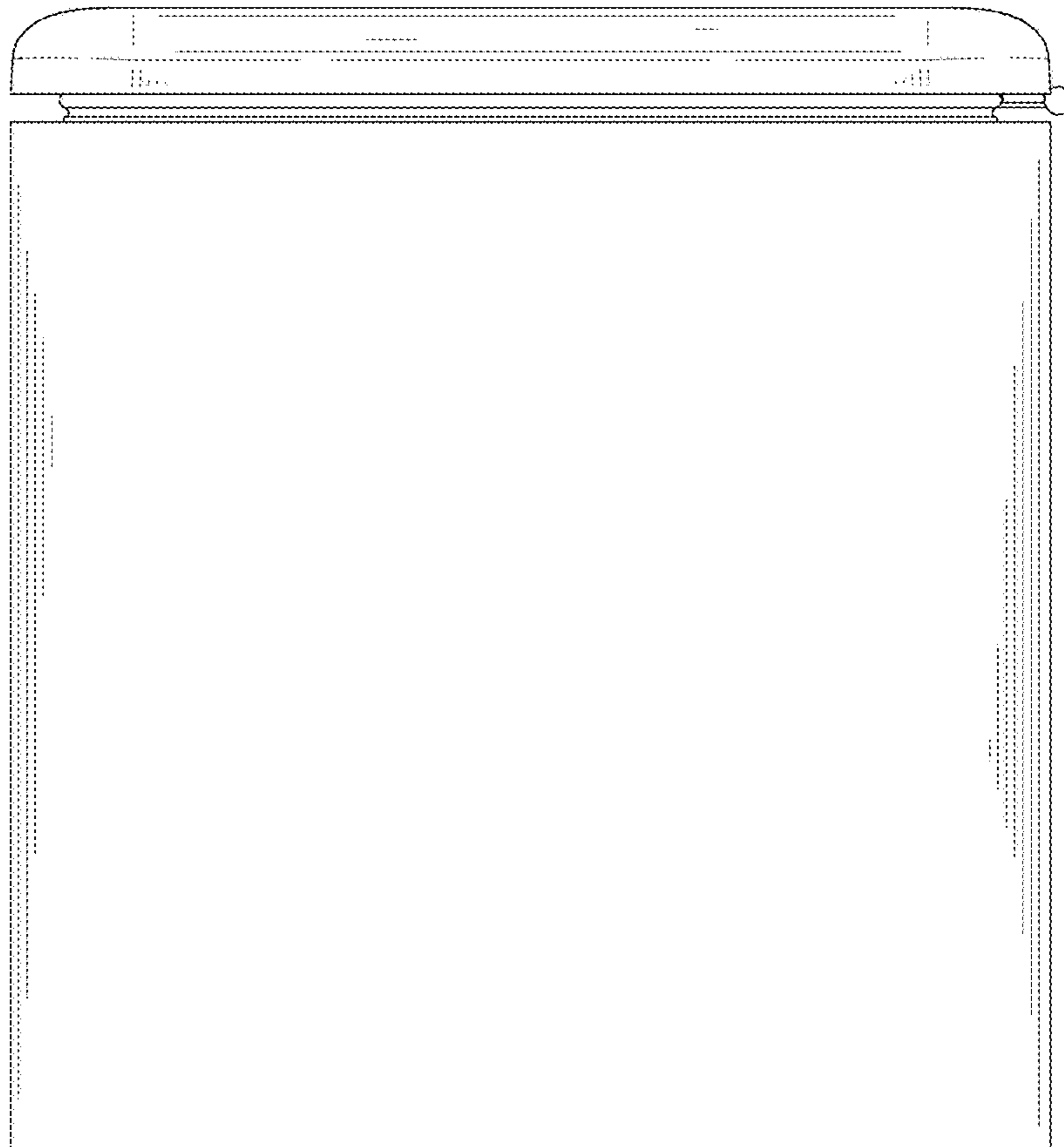


FIG. 9

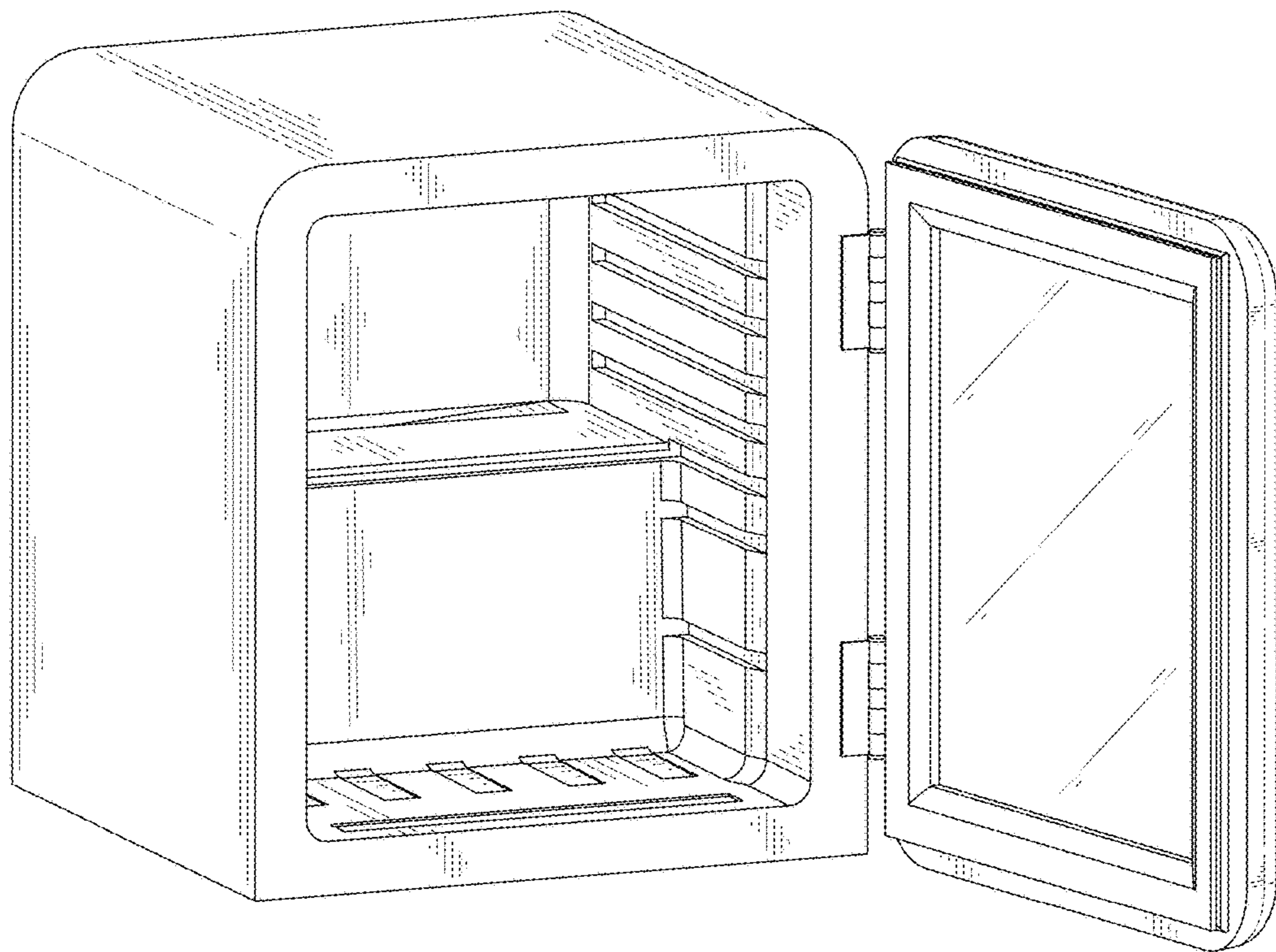


FIG. 10