



US00D867406S

(12) **United States Design Patent**
Honda et al.

(10) **Patent No.:** **US D867,406 S**
(45) **Date of Patent:** **** Nov. 19, 2019**

(54) **FABRIC PRESSER FOOT OF SEWING MACHINE**

(71) Applicant: **JANOME SEWING MACHINE Co., Ltd.**, Hachioji-shi, Tokyo (JP)

(72) Inventors: **Koichi Honda**, Hachioji (JP); **Koji Maeda**, Hachioji (JP)

(73) Assignee: **JANOME SEWING MACHINE CO., LTD.**, Hachioji-Shi, Tokyo (JP)

(**) Term: **15 Years**

(21) Appl. No.: **29/645,064**

(22) Filed: **Apr. 23, 2018**

(30) **Foreign Application Priority Data**

Oct. 31, 2017 (JP) 2017-024367

(51) **LOC (12) Cl.** **15-06**

(52) **U.S. Cl.**
USPC **D15/72**

(58) **Field of Classification Search**
USPC D15/66–78
CPC D05B 29/00–29/12; D05B 1/00–25/00
See application file for complete search history.

(56) **References Cited**

U.S. PATENT DOCUMENTS

- 948,683 A * 2/1910 Ellis D05B 29/02
112/236
- 954,990 A * 4/1910 Noble D05B 29/06
112/235
- 2,288,051 A * 6/1942 Voigt D05B 29/00
112/235
- 2,314,861 A * 3/1943 Antonelli D05B 29/00
112/235
- 2,355,700 A * 8/1944 Blewett D05B 21/00
112/236

- 2,487,285 A * 11/1949 Voigt D05B 29/06
112/151
- 2,505,402 A * 4/1950 Ingwer D05B 29/12
112/151
- 2,741,200 A * 4/1956 Smith D05B 29/06
112/235

(Continued)

Primary Examiner — Mitchell I. Siegel

(74) *Attorney, Agent, or Firm* — McGinn IP Law Group, PLLC.

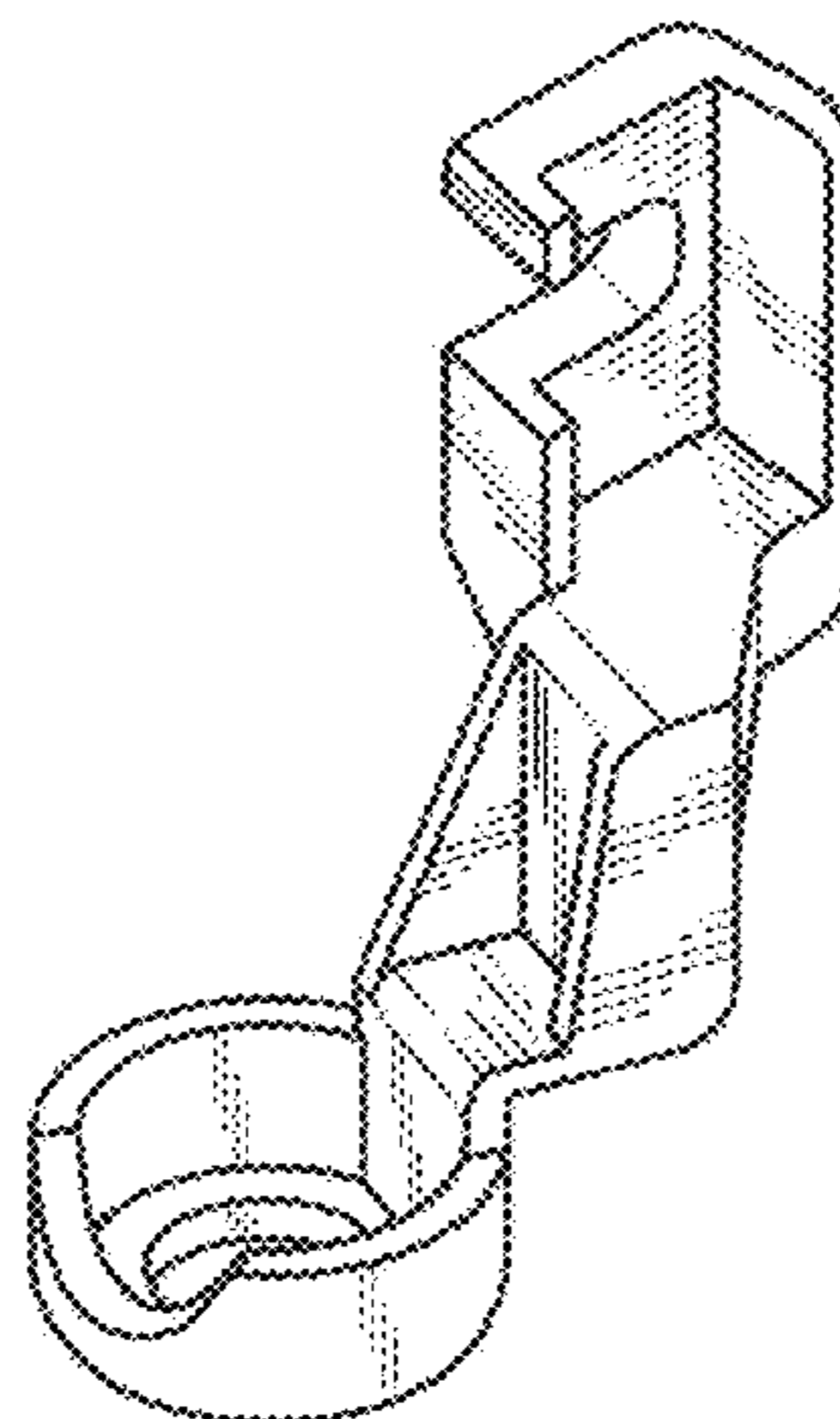
(57) **CLAIM**

The ornamental design for fabric presser foot of sewing machine, as shown and described.

DESCRIPTION

FIG. 1 is a front elevational view of a sewing machine showing our new design;
 FIG. 2 is a rear elevational view thereof;
 FIG. 3 is a right side elevational view thereof;
 FIG. 4 is a left side elevational view thereof;
 FIG. 5 is a top plan view thereof;
 FIG. 6 is a bottom plan view thereof;
 FIG. 7 is a front perspective view thereof;
 FIG. 8 is an enlarged front elevational view thereof being shown with cross sectional markings;
 FIG. 9 is a cross sectional view taken from line 9-9 of FIG. 8;
 FIG. 10 is a cross sectional view taken from line 10-10 of FIG. 8;
 FIG. 11 is a cross sectional view taken from line 11-11 of FIG. 8;
 FIG. 12 is an enlarged front perspective view being shown with unclaimed elements; and,
 FIG. 13 is an enlarged front elevational view being shown with unclaimed elements.
 The broken lines shown on FIGS. 12 and 13 are included for the purpose of illustrating unclaimed subject matter and forms no part of the claimed design.

1 Claim, 13 Drawing Sheets



(56)

References Cited

U.S. PATENT DOCUMENTS

2,878,765 A *	3/1959	Gegauf	D05B 29/12 112/227	3,901,170 A *	8/1975	Takamatsu	D05B 29/06 112/235
2,948,242 A *	8/1960	Shuman	D05B 29/10 112/235	4,876,974 A *	10/1989	Ando	D05B 29/08 112/240
3,094,089 A *	6/1963	Shuman	D05B 29/10 112/235	4,979,449 A *	12/1990	Graves	D05B 29/08 112/235
3,098,460 A *	7/1963	Yoshida	D05B 29/00 112/235	5,007,358 A *	4/1991	Kawakubo	D05B 29/06 112/235
3,370,559 A *	2/1968	Longcore	D05B 29/08 112/151	5,515,797 A *	5/1996	Janouschek	D05B 29/08 112/235
3,374,759 A *	3/1968	Longcore	D05B 29/08 112/151	D397,698 S *	9/1998	Rendahl	D15/72
3,420,197 A *	1/1969	Jacobsen	D05B 29/00 112/235	D450,724 S *	11/2001	Kawaguchi	D15/72
3,796,173 A *	3/1974	Godsen	D05B 29/00 112/235	6,634,308 B1 *	10/2003	Martin	D05B 29/08 112/235
3,823,679 A *	7/1974	Meier	D05B 29/06 112/235	D508,501 S *	8/2005	Kawaguchi	D15/72
				D509,229 S *	9/2005	Kawaguchi	D15/72
				D514,135 S *	1/2006	Kawaguchi	D15/72
				D515,112 S *	2/2006	Kawaguchi	D15/72
				D515,594 S *	2/2006	Kawaguchi	D15/72
				9,228,280 B2 *	1/2016	Bland	D05B 97/02
				9,279,204 B2 *	3/2016	Tomizawa	D05B 29/06
				D835,686 S *	12/2018	Zieman	D15/72

* cited by examiner

Fig. 1

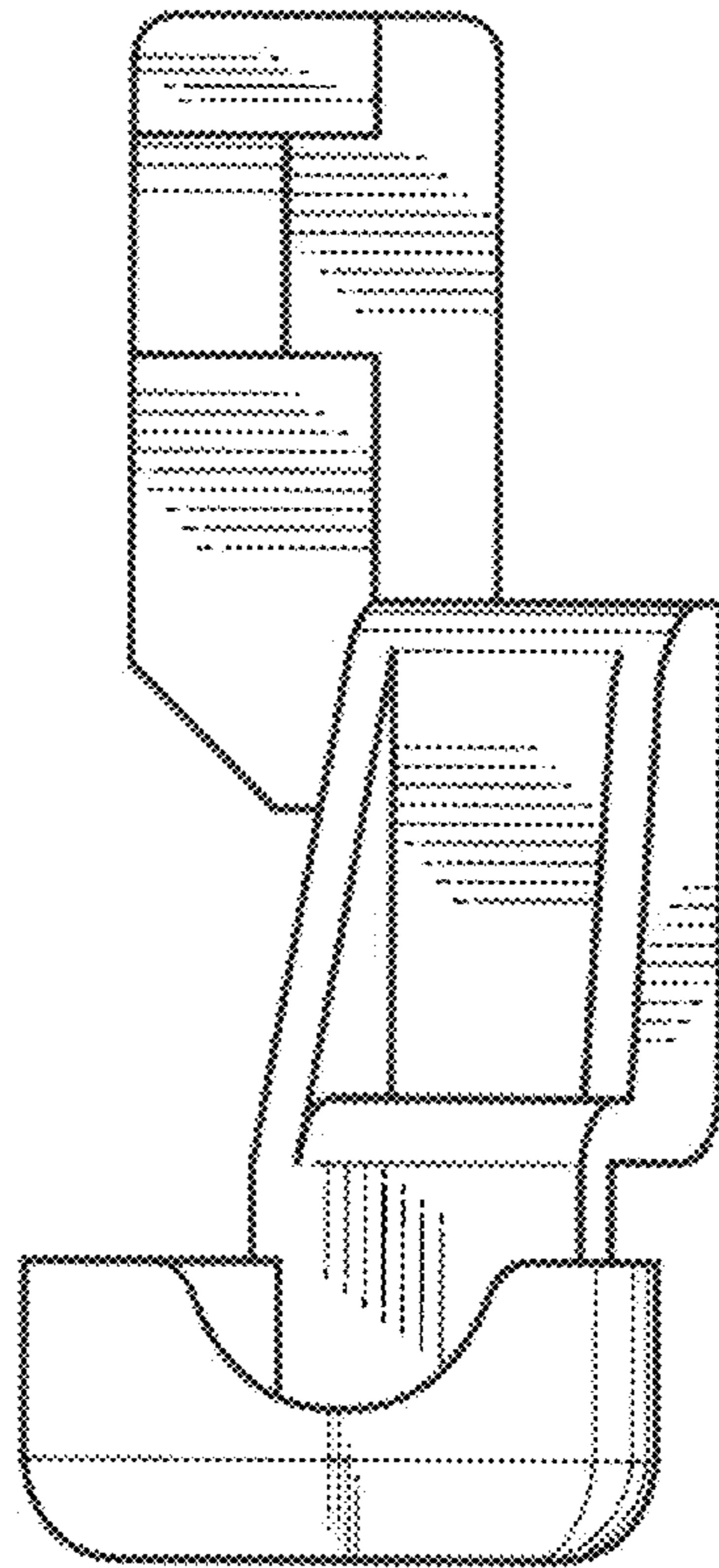


Fig. 2

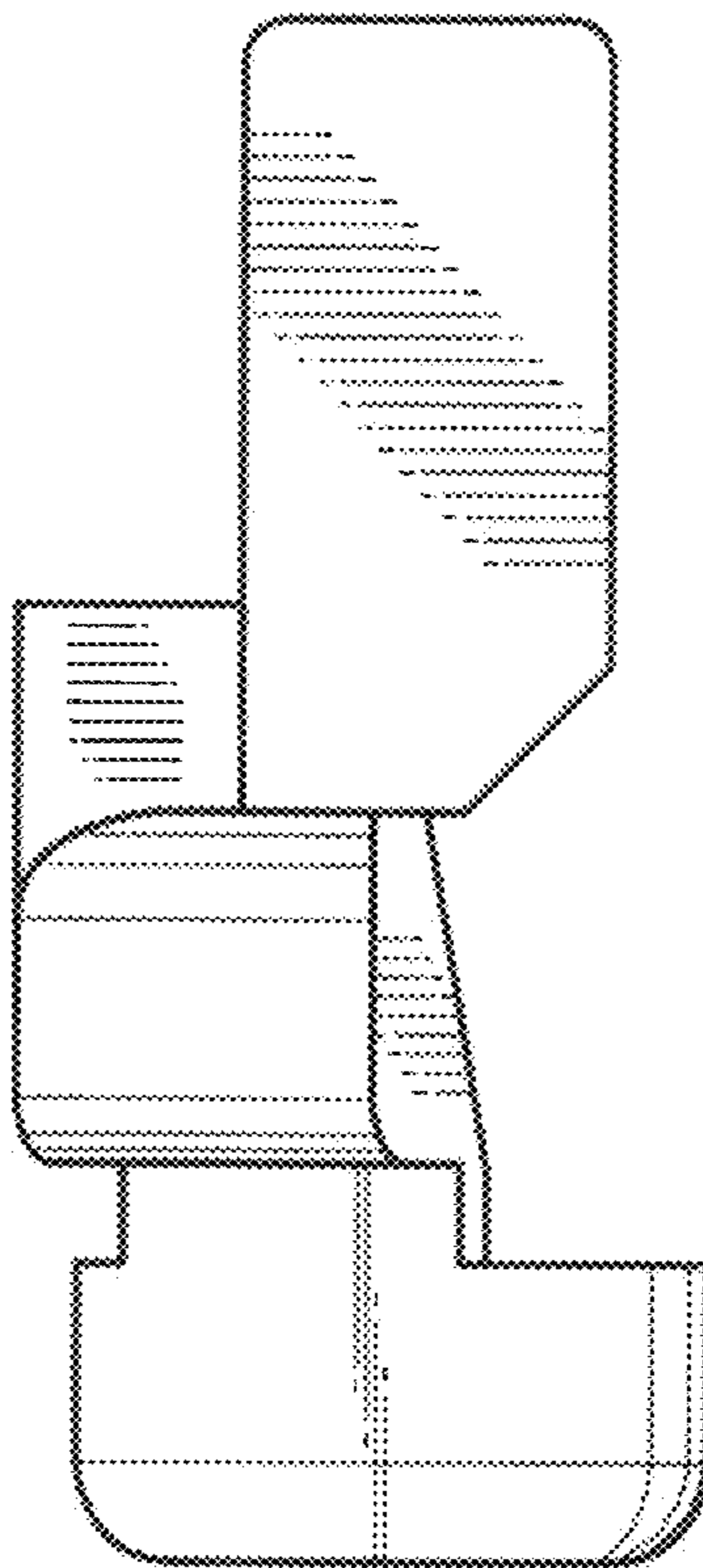


Fig. 3

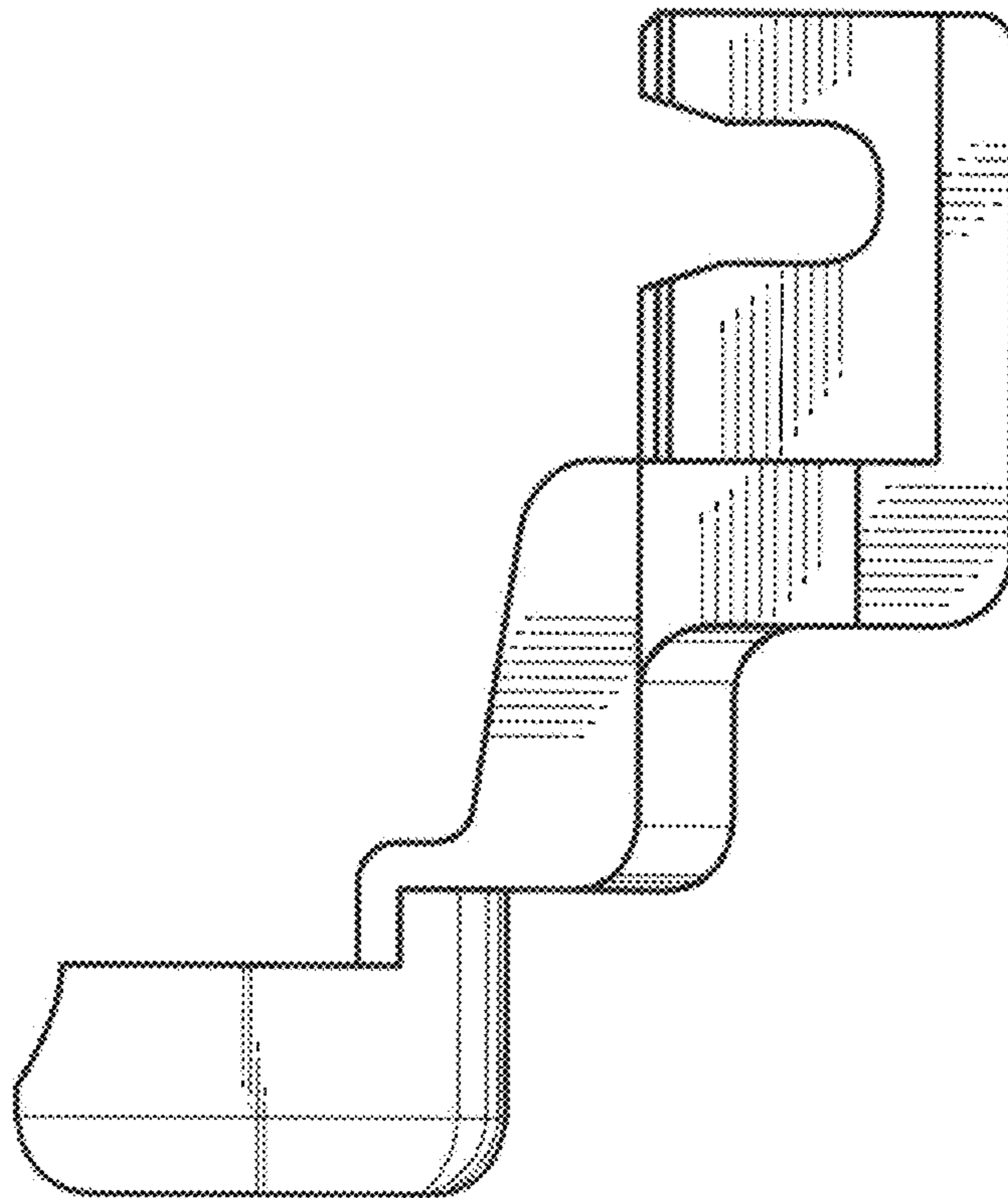


Fig. 4

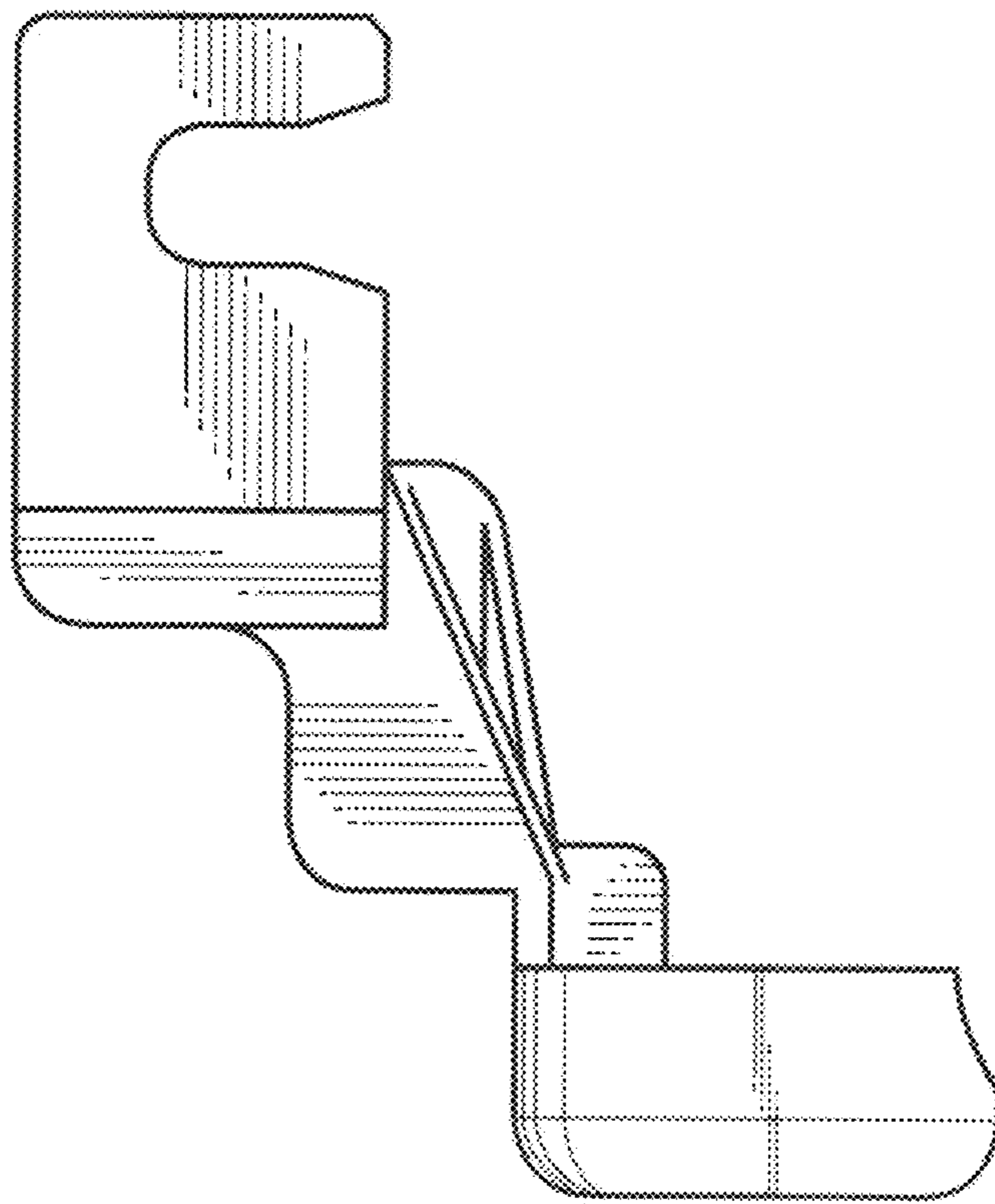


Fig. 5

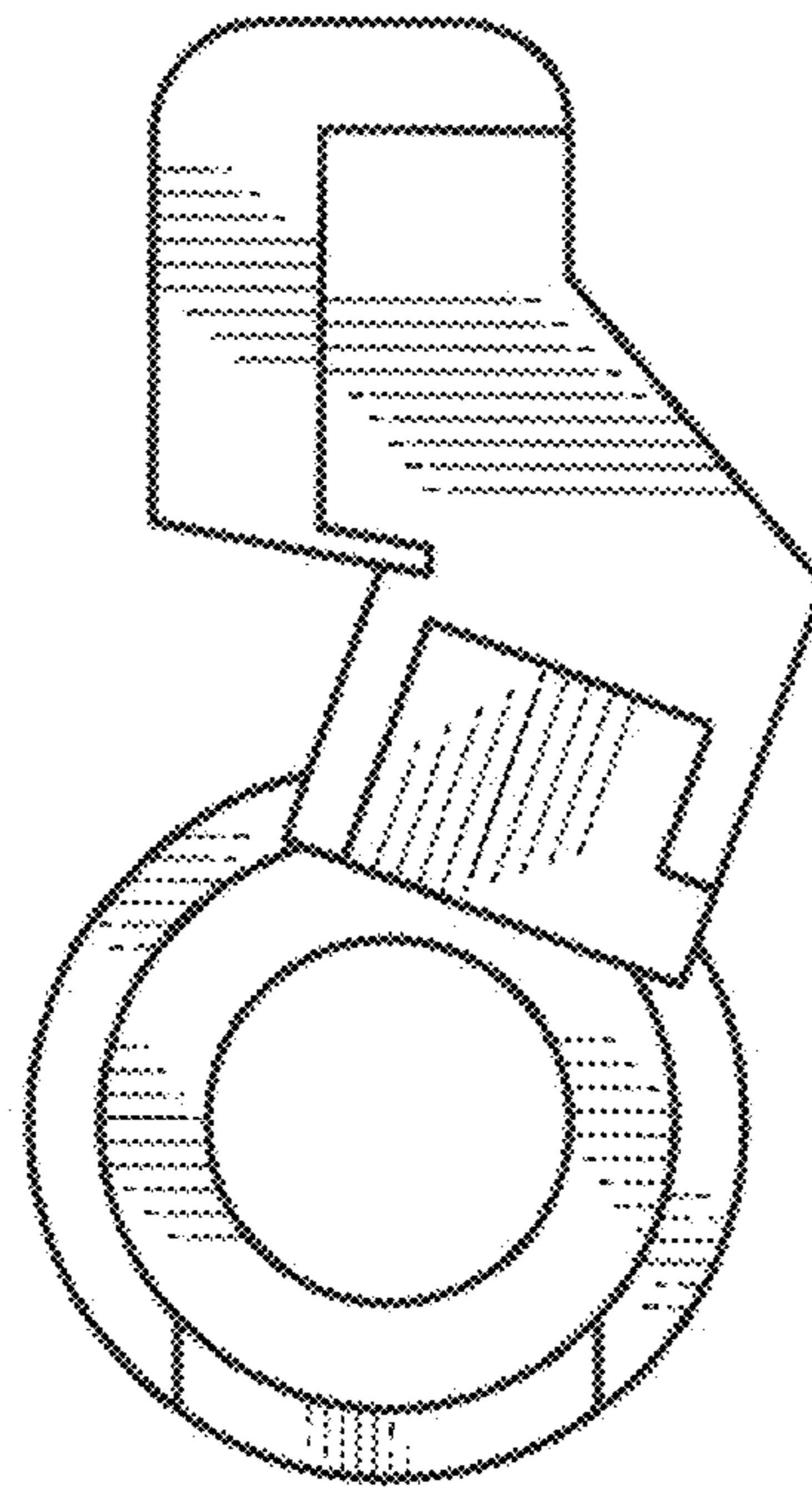


Fig. 6

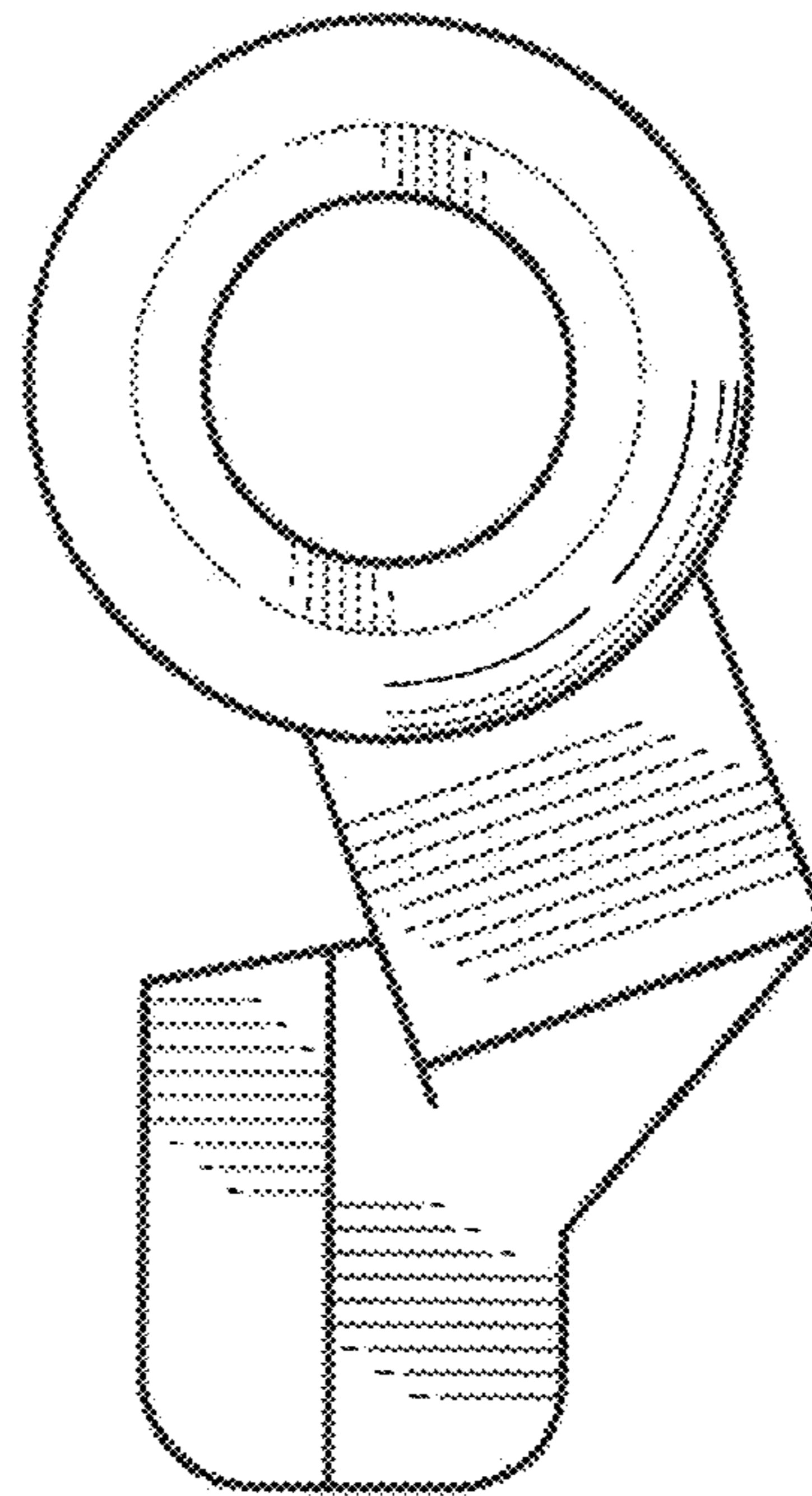


Fig. 7

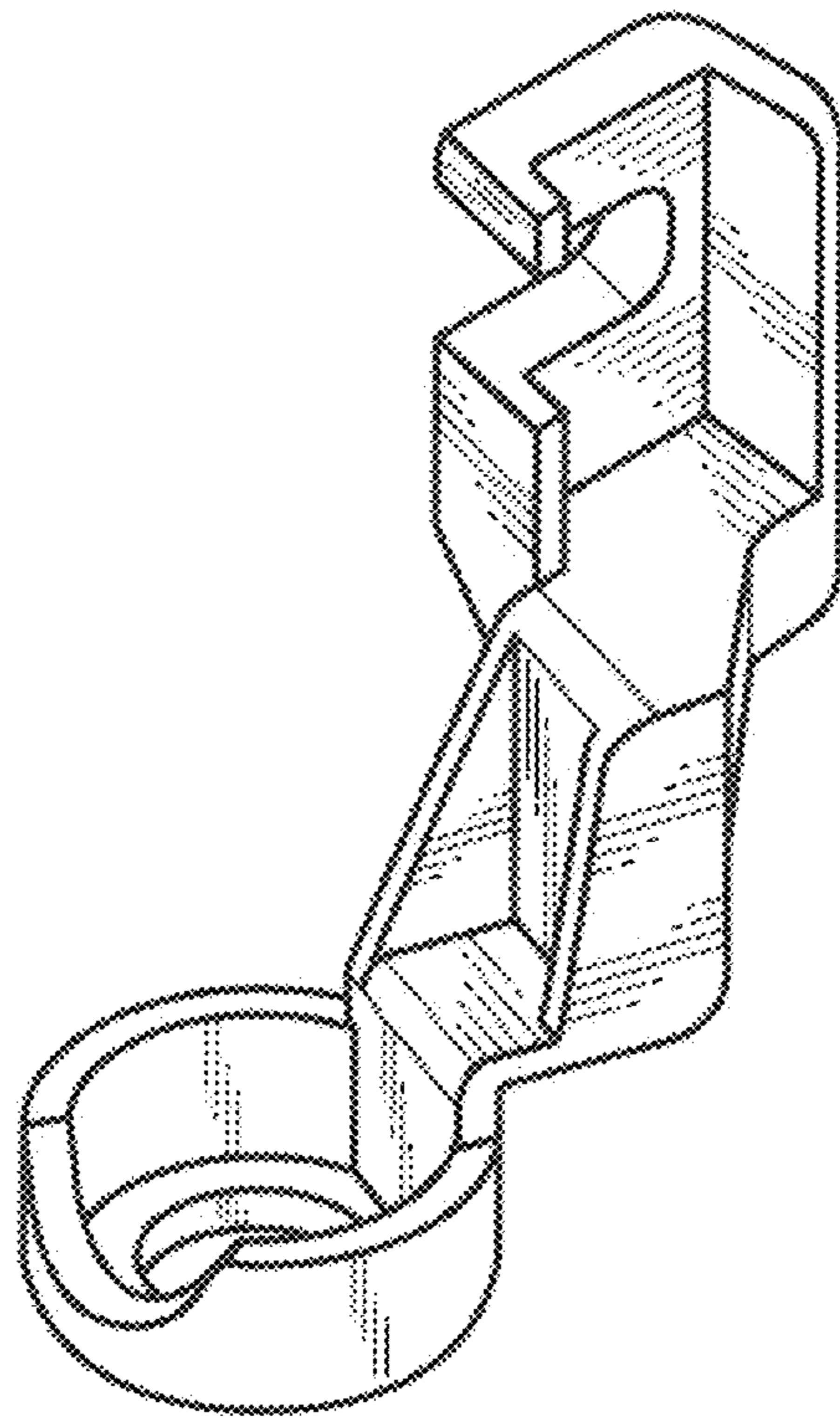


Fig. 8

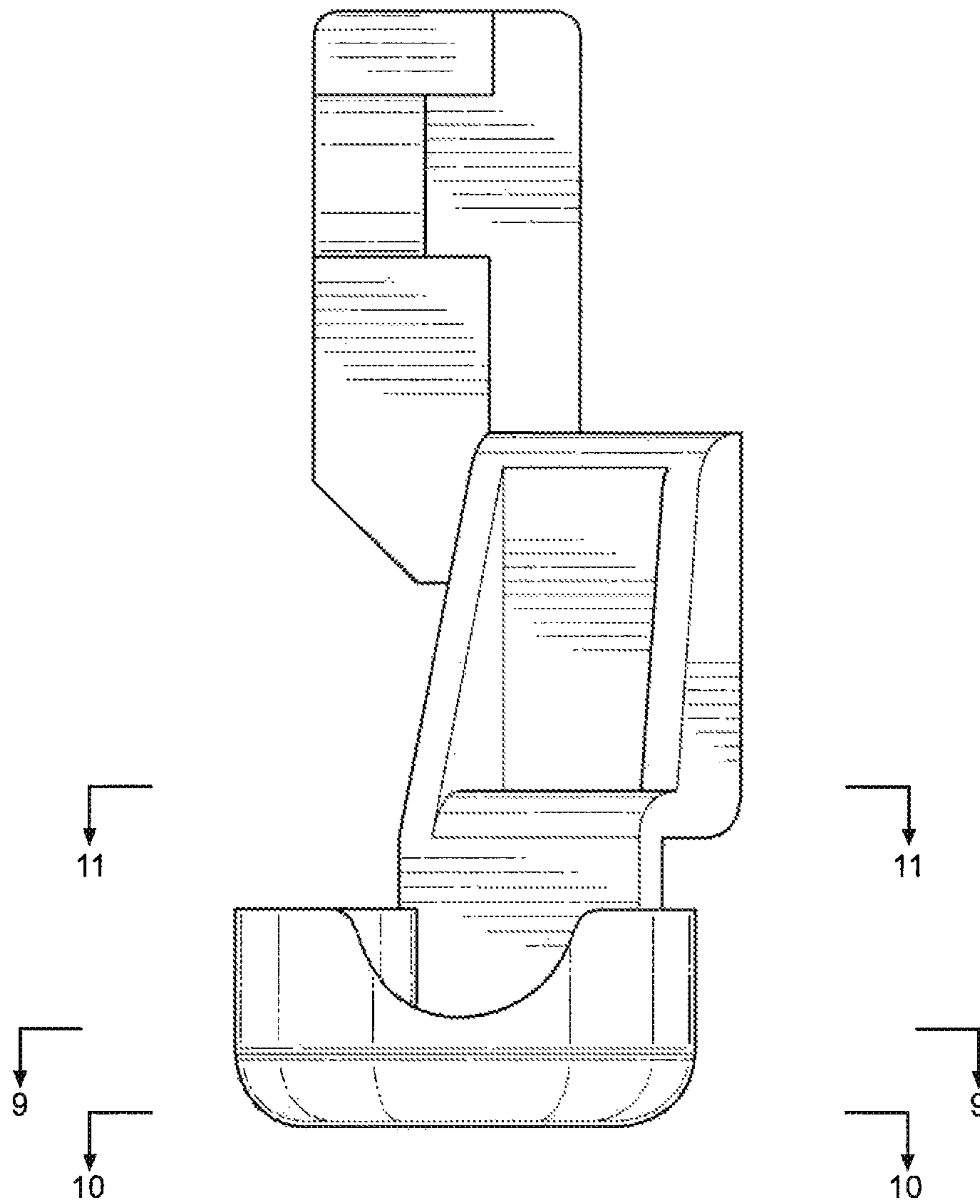
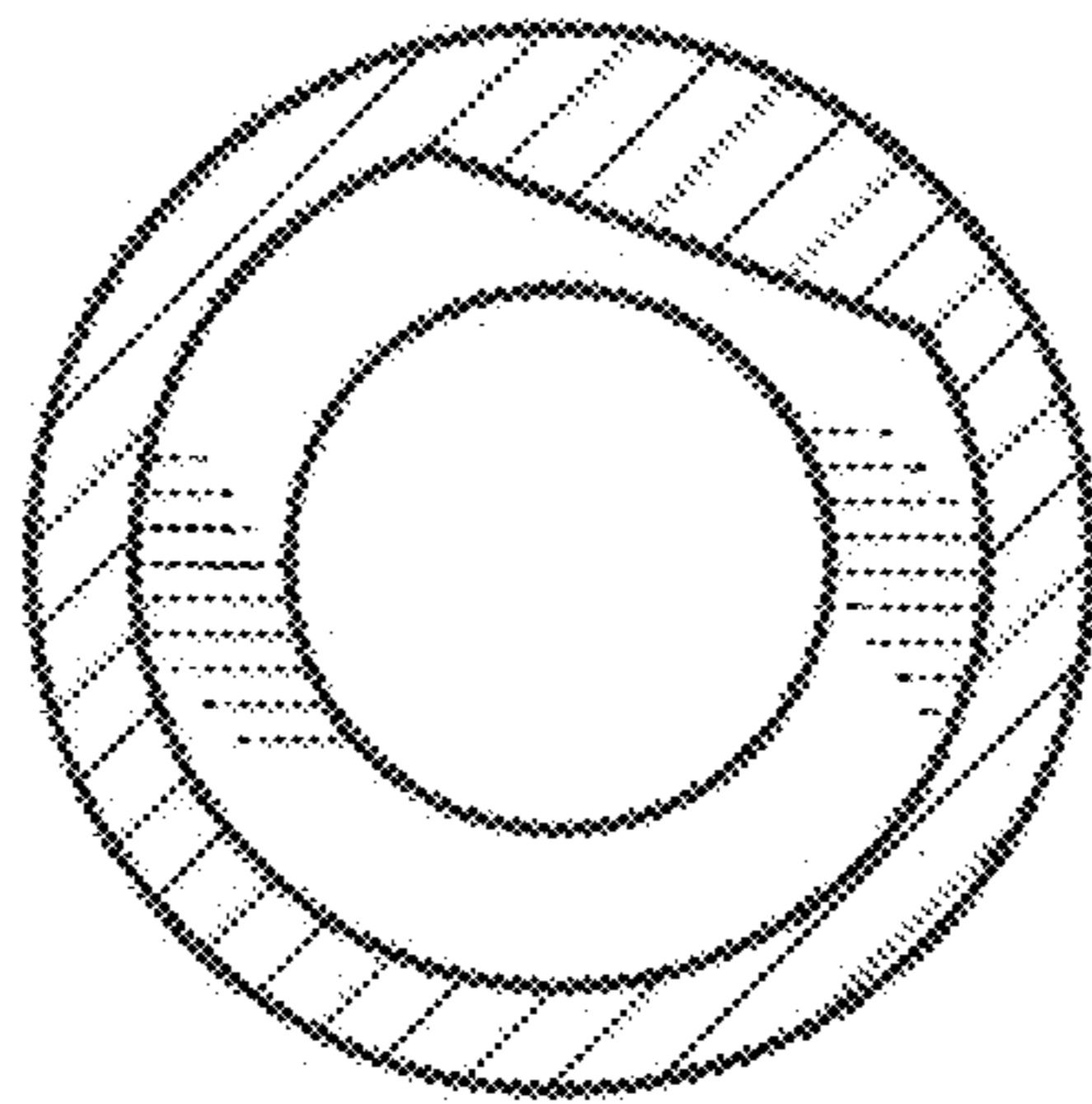


Fig. 9



F i g . 1 0

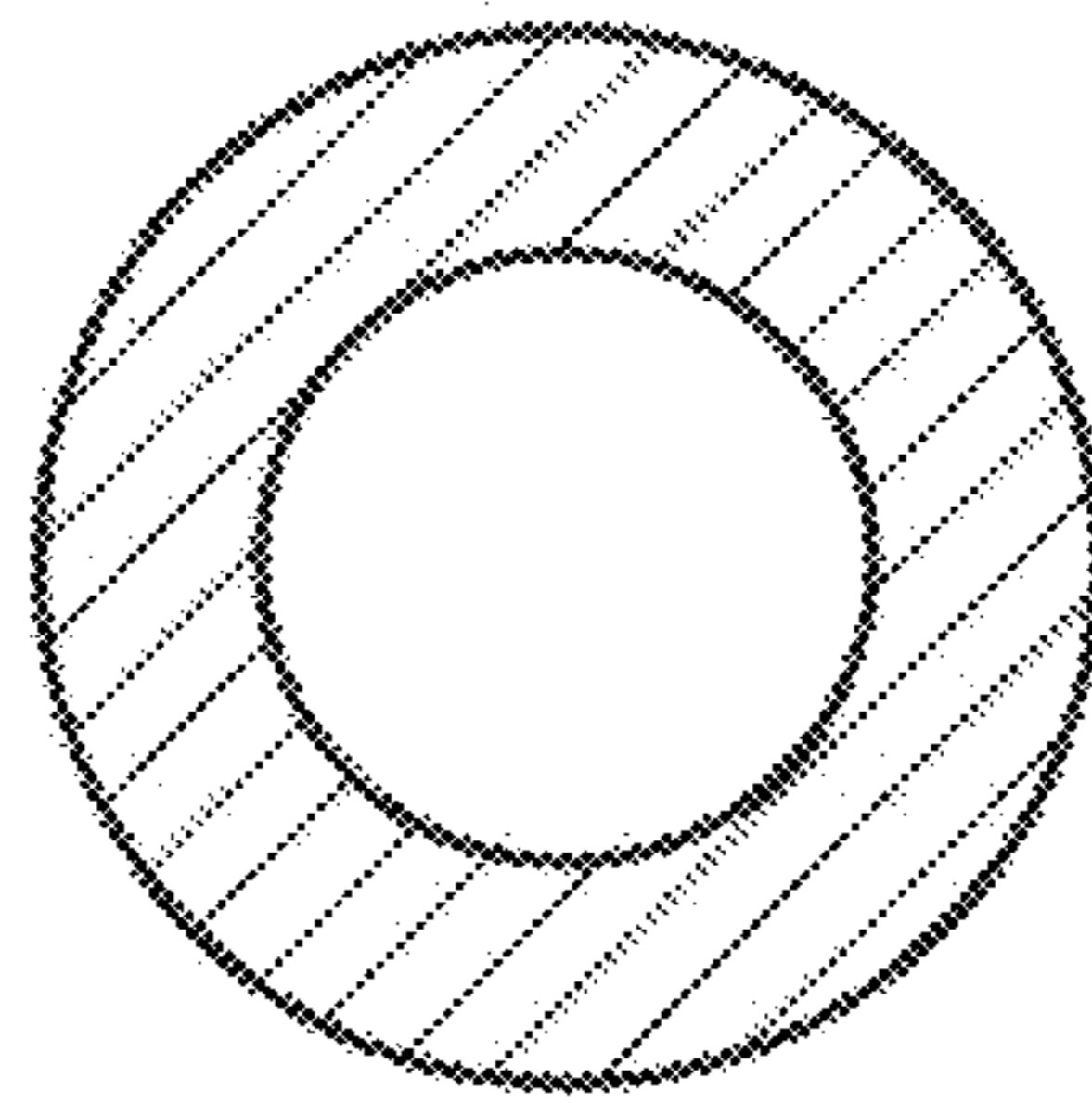


Fig. 11

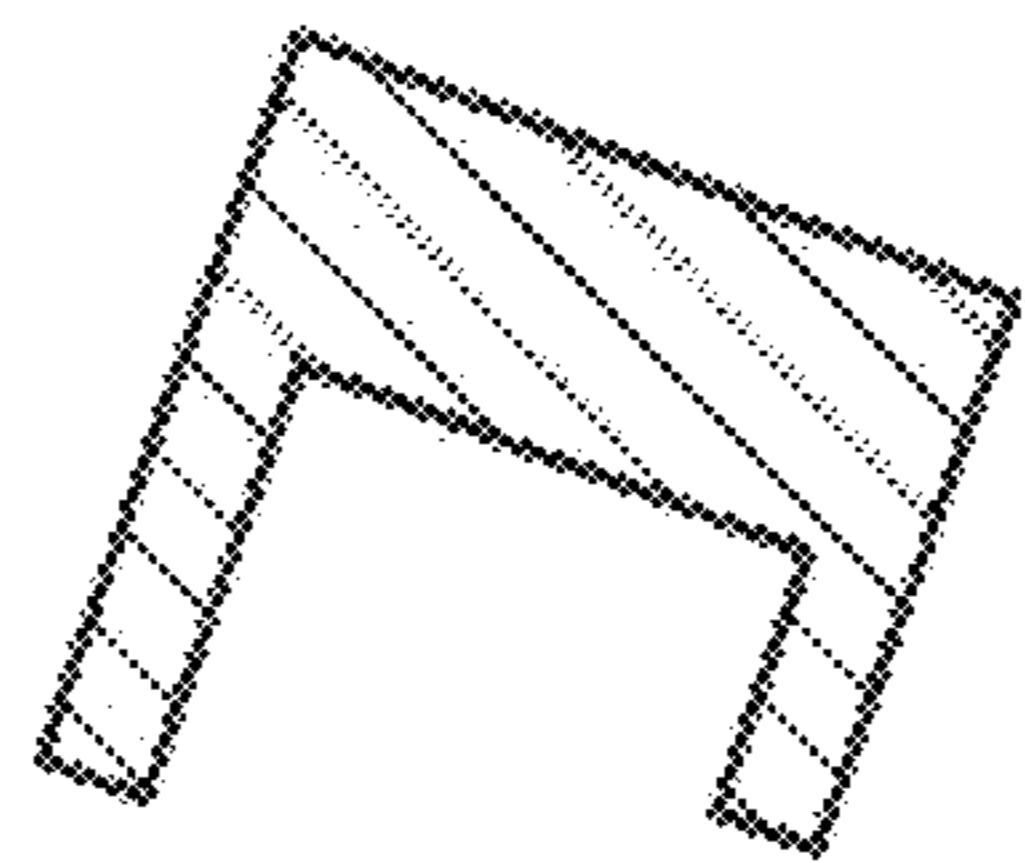
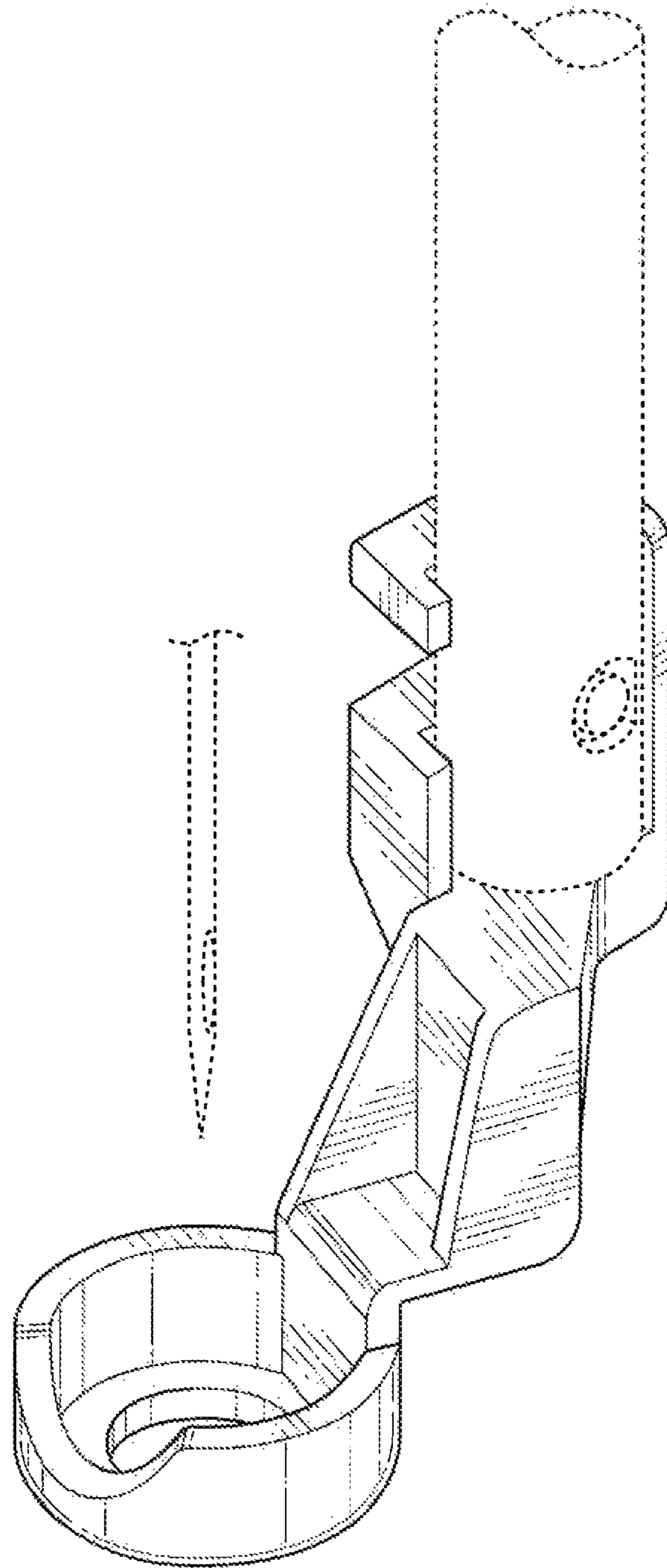


Fig. 12



F i g . 1 3

