

US00D867404S

(12) **United States Design Patent** (10) **Patent No.:** **US D867,404 S**
Bjerke et al. (45) **Date of Patent:** **** Nov. 19, 2019**

(54) **CUTTING EDGE FOR A GROUND ENGAGING MACHINE IMPLEMENT**

D365,577 S 12/1995 Ruvang
5,515,623 A 5/1996 Weeks
D395,436 S 6/1998 Hagenbuch
5,924,270 A 7/1999 Bruns
D477,610 S 7/2003 Matsumoto et al.
D478,097 S 8/2003 Vennard et al.
6,952,892 B1 10/2005 Bierwith

(71) Applicant: **Caterpillar Inc.**, Deerfield, IL (US)

(72) Inventors: **Nathan Bjerke**, Peoria, IL (US);
Thomas Marshall Congdon, Dunlap, IL (US)

(Continued)

(73) Assignee: **Caterpillar Inc.**, Peoria, IL (US)

(**) Term: **15 Years**

(21) Appl. No.: **29/678,443**

(22) Filed: **Jan. 29, 2019**

FOREIGN PATENT DOCUMENTS

CL 200501785 7/2005
CL 200801735 5/2009

(Continued)

OTHER PUBLICATIONS

U.S. Appl. No. 15/939,692, filed Mar. 29, 2018. (Unpublished).

Related U.S. Application Data

(63) Continuation of application No. 29/642,436, filed on Mar. 29, 2018, now Pat. No. Des. 846,002.

(51) **LOC (12) Cl.** **15-03**

(52) **U.S. Cl.**
USPC **D15/29**

(58) **Field of Classification Search**
USPC D15/11, 21, 28, 32
CPC E01H 5/06-062; E02F 3/76-848; E02F 3/08; E02F 3/8157; E02F 3/8152; E02F 9/2883; E02F 9/2858

See application file for complete search history.

Primary Examiner — Mark A Goodwin

(74) *Attorney, Agent, or Firm* — Saidman Design Law Group

(57) **CLAIM**

The ornamental design for a cutting edge for a ground engaging machine implement, as shown and described.

DESCRIPTION

FIG. 1 is a perspective view of a cutting edge for a ground engaging machine implement showing our new design; FIG. 2 is a front view thereof; FIG. 3 is a rear view thereof; FIG. 4 is a right side view thereof; FIG. 5 is a left side view thereof; FIG. 6 is a top view thereof; and, FIG. 7 is a bottom view thereof.

The drawings include CAD lines that represent contour and not surface decoration.

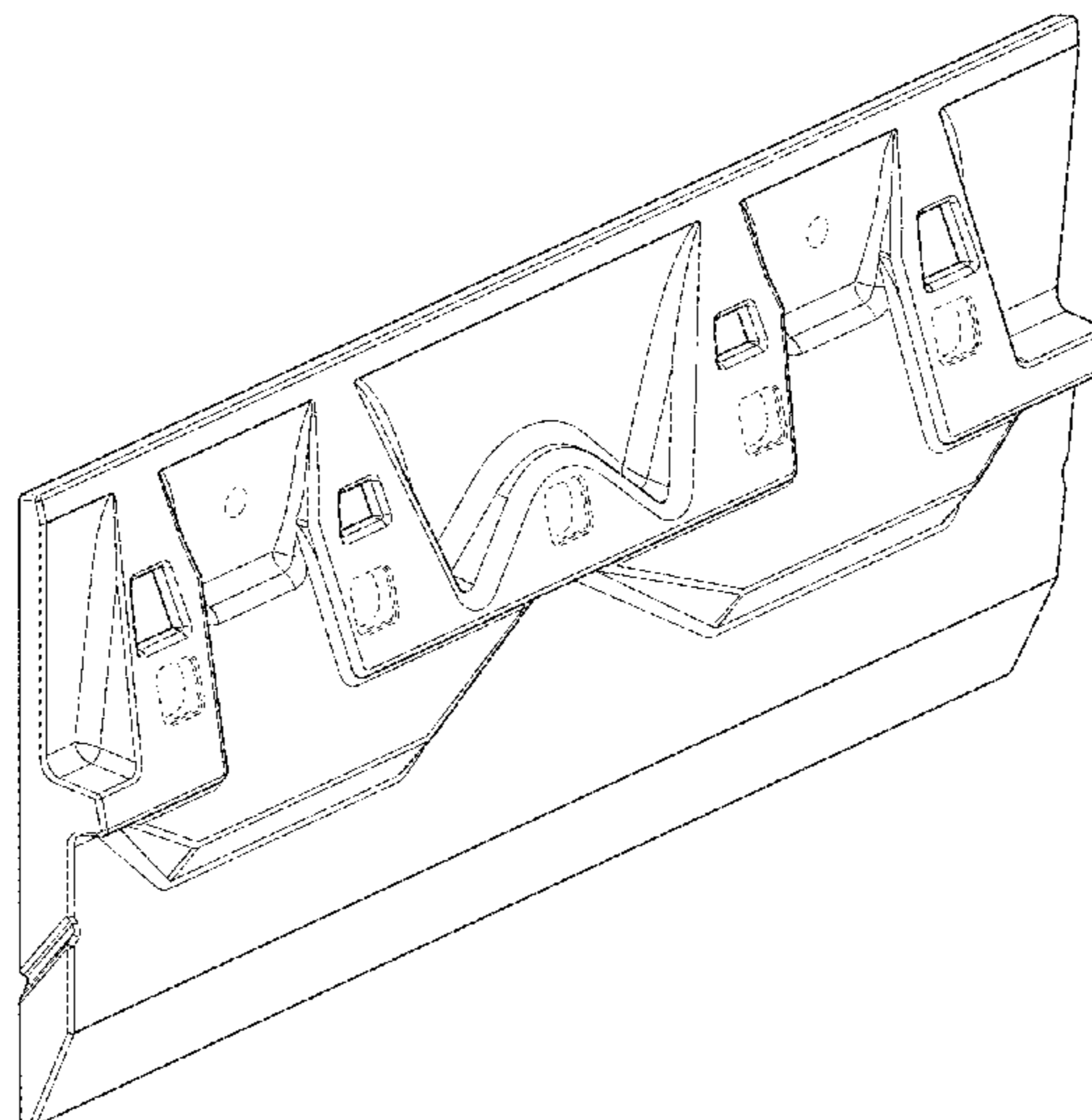
The broken lines illustrate structure or features which form no part of the claimed design.

1 Claim, 6 Drawing Sheets

(56) **References Cited**

U.S. PATENT DOCUMENTS

3,685,177 A 8/1972 Hahn et al.
3,864,853 A 2/1975 Klett et al.
4,231,173 A 11/1980 Davis
D263,233 S 3/1982 van der Lely
D268,344 S 3/1983 Ronck et al.
4,501,079 A 2/1985 Hahn et al.
D299,348 S 1/1989 Nja
D326,460 S 5/1992 Anderson
5,121,562 A 6/1992 Feller
5,148,616 A 9/1992 Maguina-Larco



(56)

References Cited

U.S. PATENT DOCUMENTS

D522,536 S 6/2006 Oh
 D541,311 S 4/2007 Oh
 7,266,914 B2 9/2007 Grant
 7,401,658 B2 7/2008 Matsumoto et al.
 7,536,811 B2 5/2009 McClanahan
 7,793,444 B2 9/2010 Jones
 D624,943 S 10/2010 Gibbon
 7,841,112 B2 11/2010 Congdon
 D629,425 S 12/2010 Morin
 8,191,288 B2 6/2012 Weagley et al.
 8,783,376 B2 7/2014 Congdon et al.
 D728,637 S 5/2015 Kunz
 D749,147 S 2/2016 Kunz
 D749,151 S 2/2016 McAdam et al.
 9,404,240 B2 8/2016 Kunz
 9,562,342 B2 2/2017 Winter et al.
 D790,601 S 6/2017 Balan et al.
 D792,913 S 7/2017 Guggino et al.

D805,112 S 12/2017 Serrurier et al.
 D806,140 S 12/2017 Serrurier et al.
 D806,759 S 1/2018 Serrurier et al.
 D824,962 S 8/2018 Winter
 2009/0282706 A1 11/2009 Barker et al.
 2016/0032567 A1 2/2016 Congdon
 2016/0333547 A1 11/2016 Winter et al.
 2017/0191236 A1 7/2017 Winter
 2017/0284045 A1 10/2017 Holman

FOREIGN PATENT DOCUMENTS

CL 201000618 6/2010
 CL 200602263 8/2010
 CL 201200732 3/2012
 CL 201200733 3/2012
 CL 201302335 8/2013
 CL 201503078 10/2015
 CL 201700124 1/2017
 EM 002217026-0001 4/2013
 EM 001421473-0011 9/2014

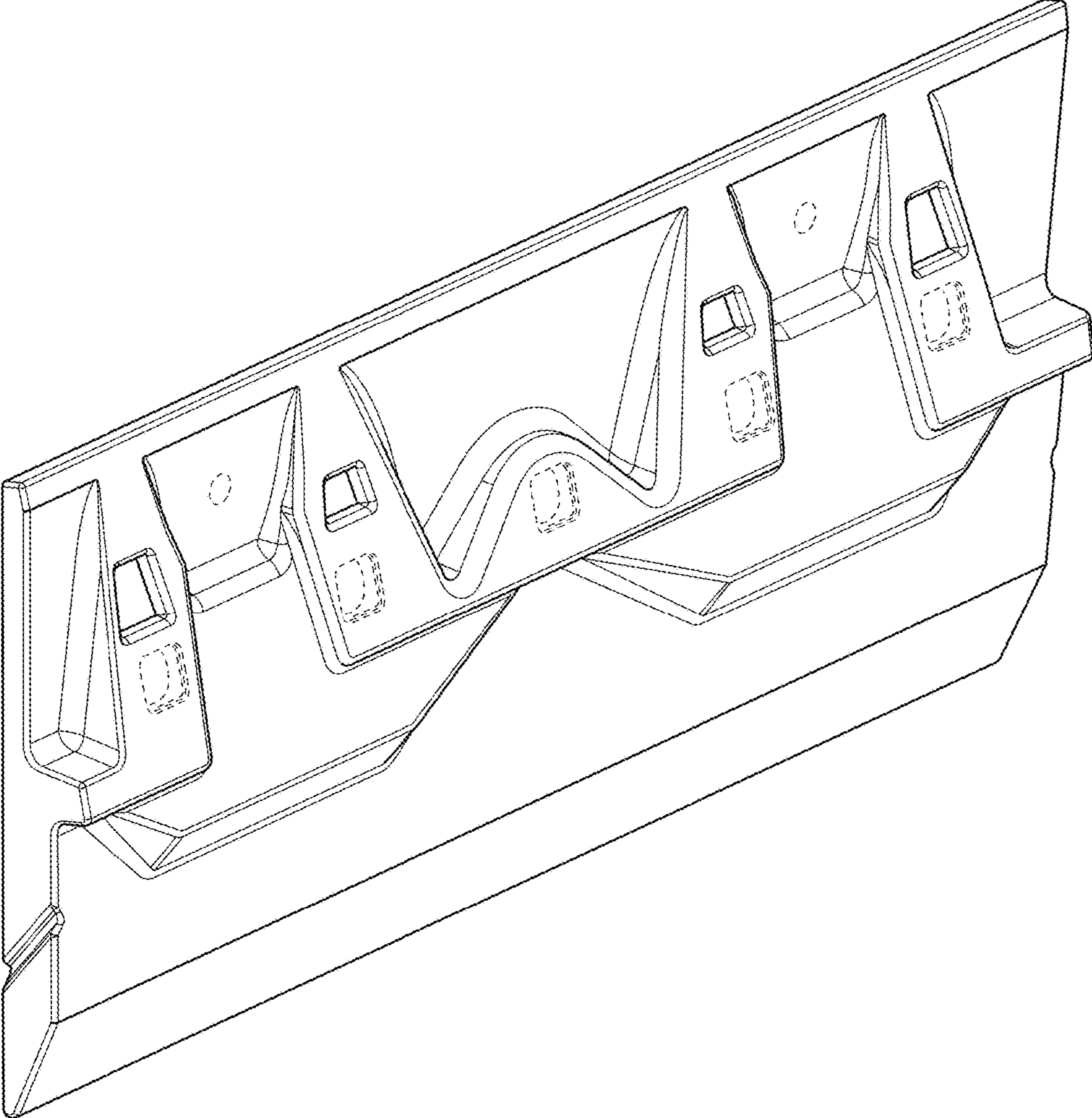


FIG. 1

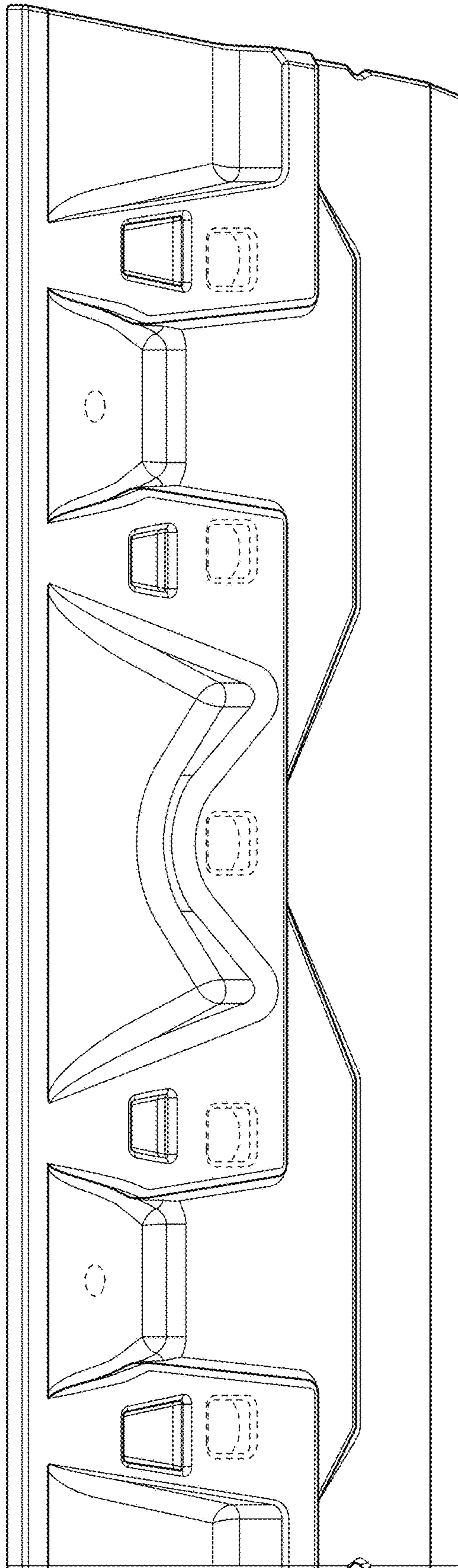


FIG. 2

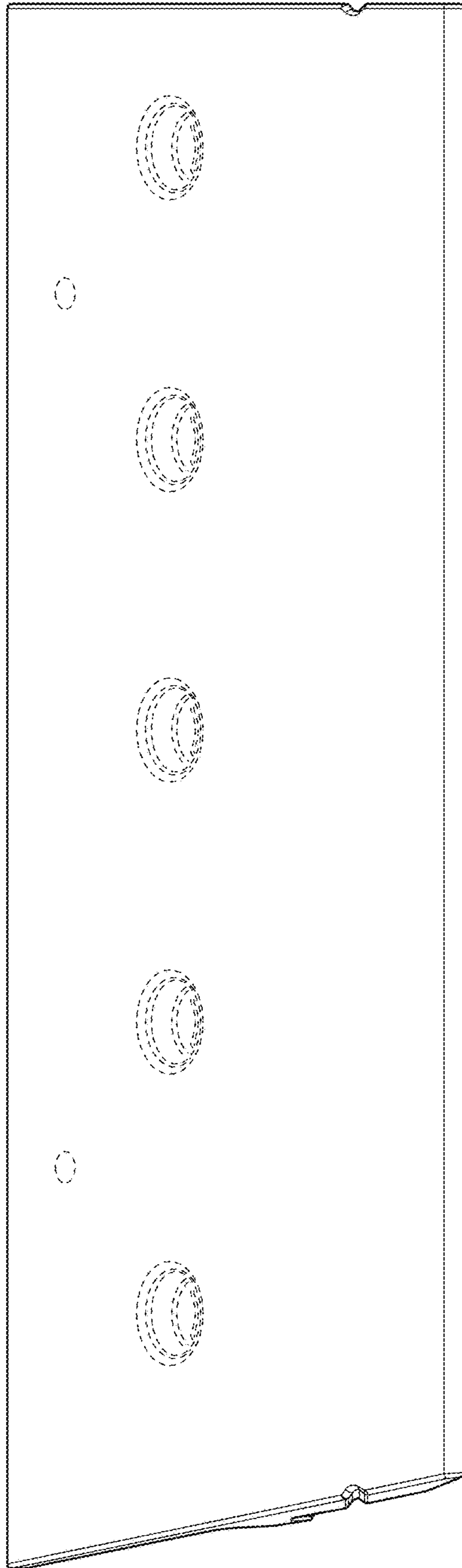


FIG. 3

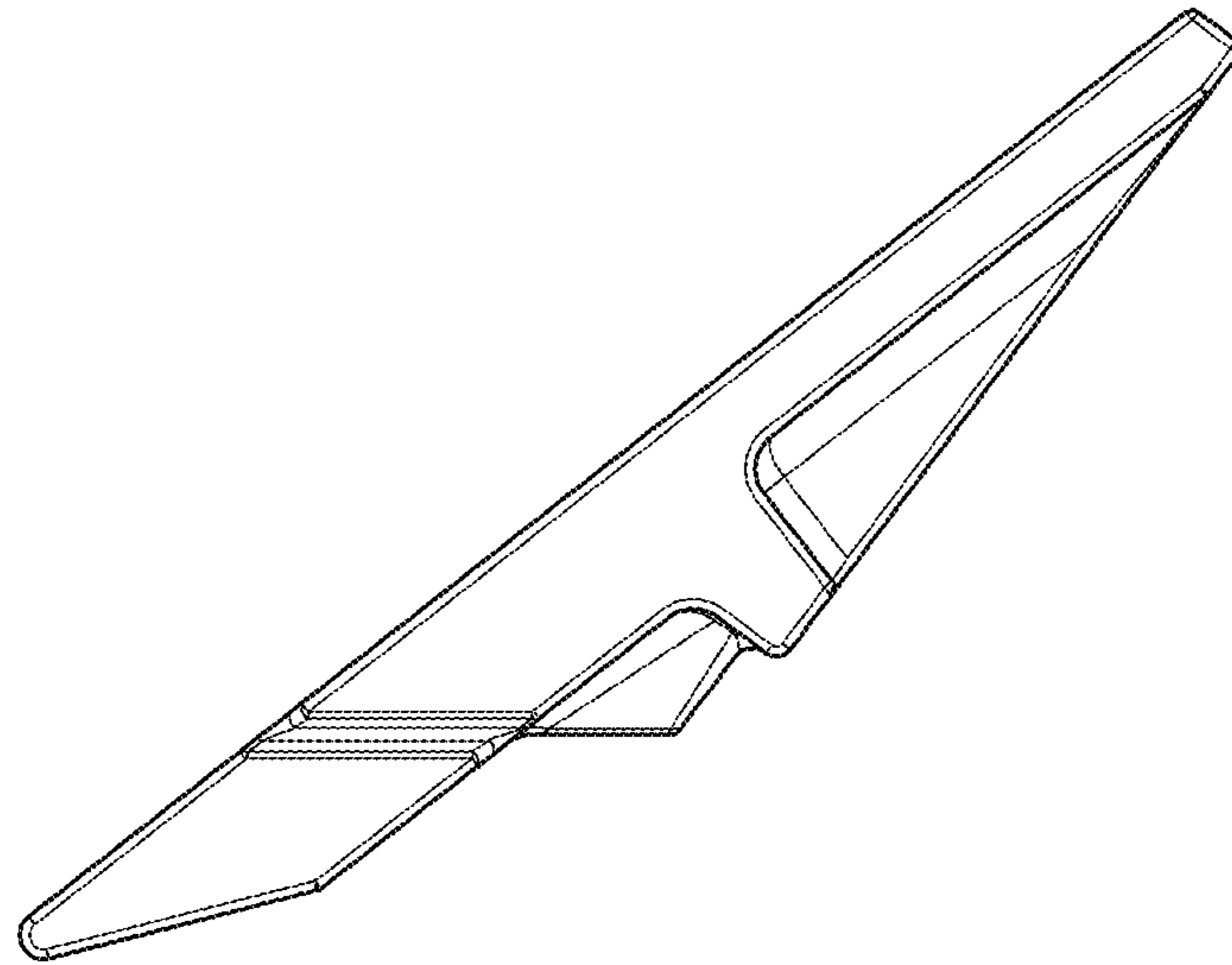


FIG. 4

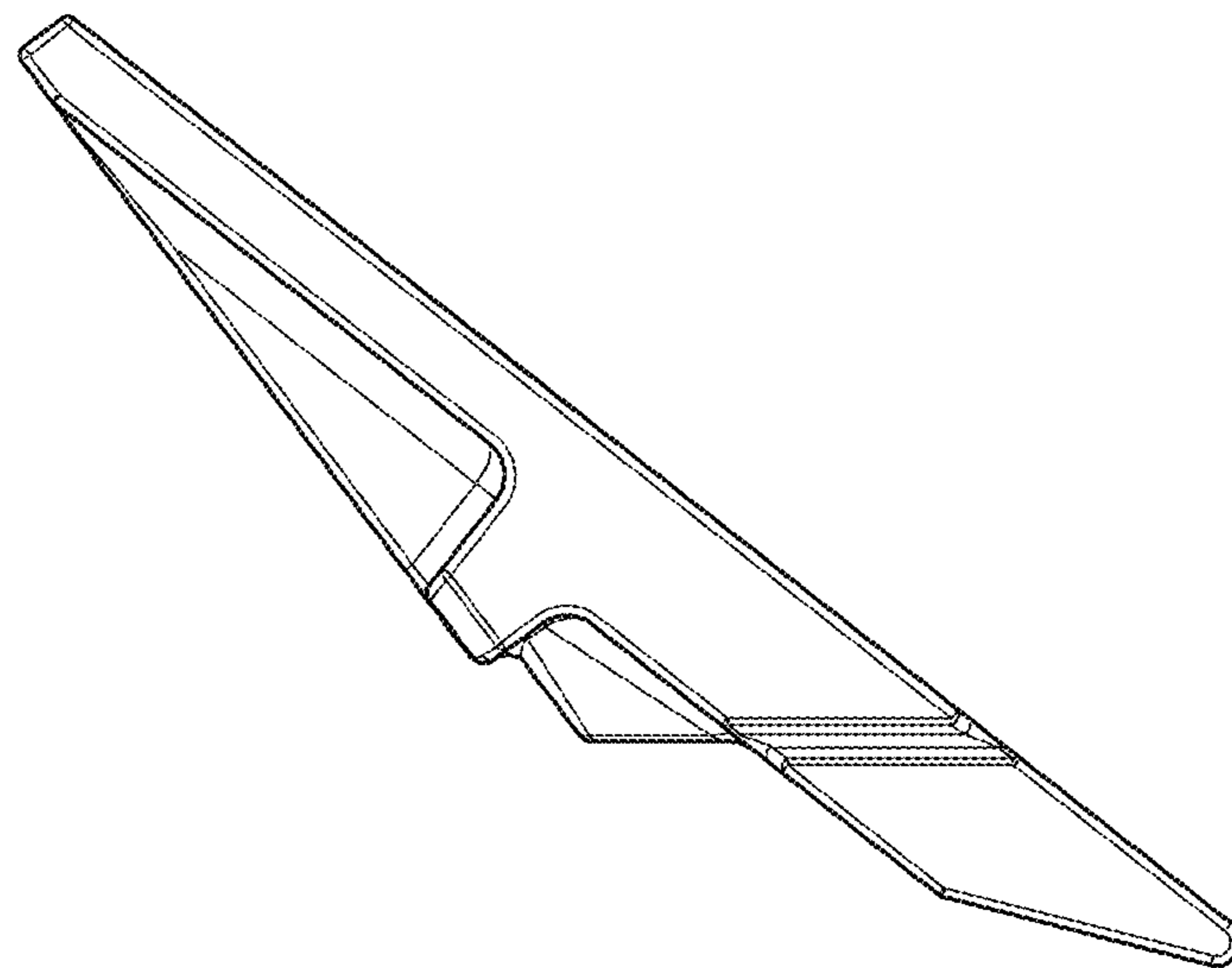


FIG. 5

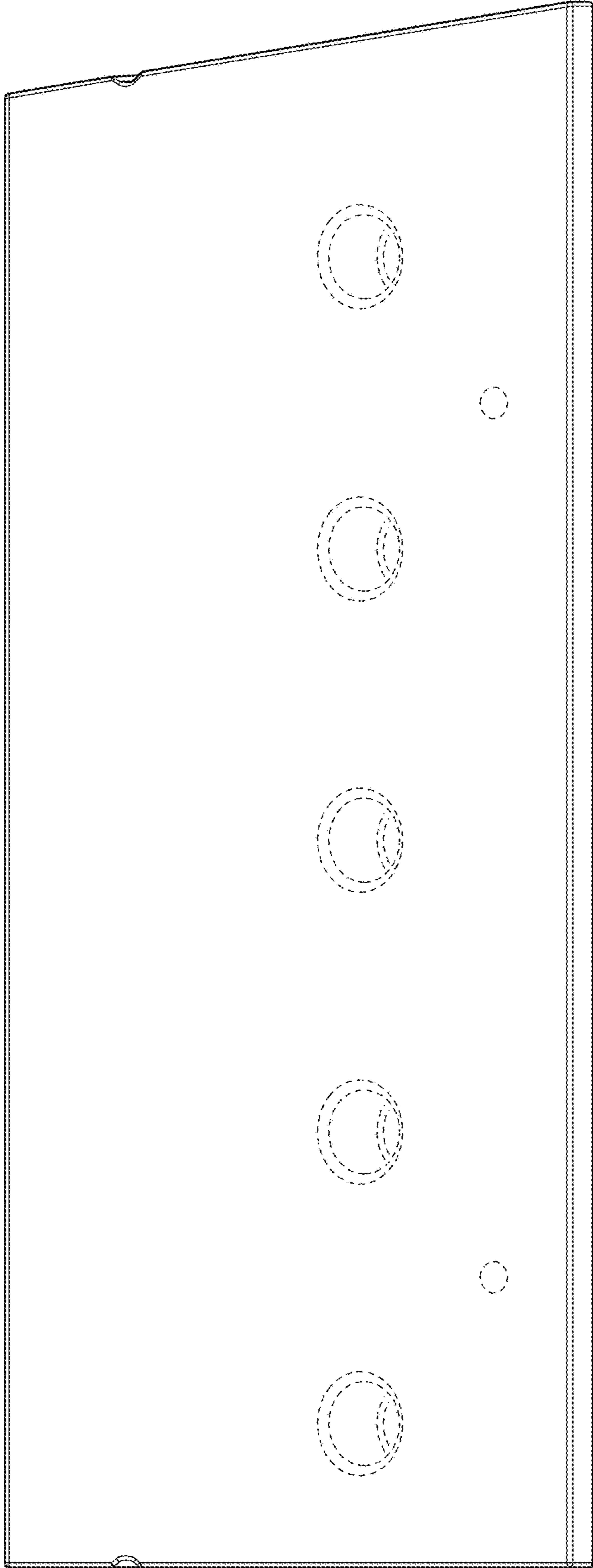


FIG. 6

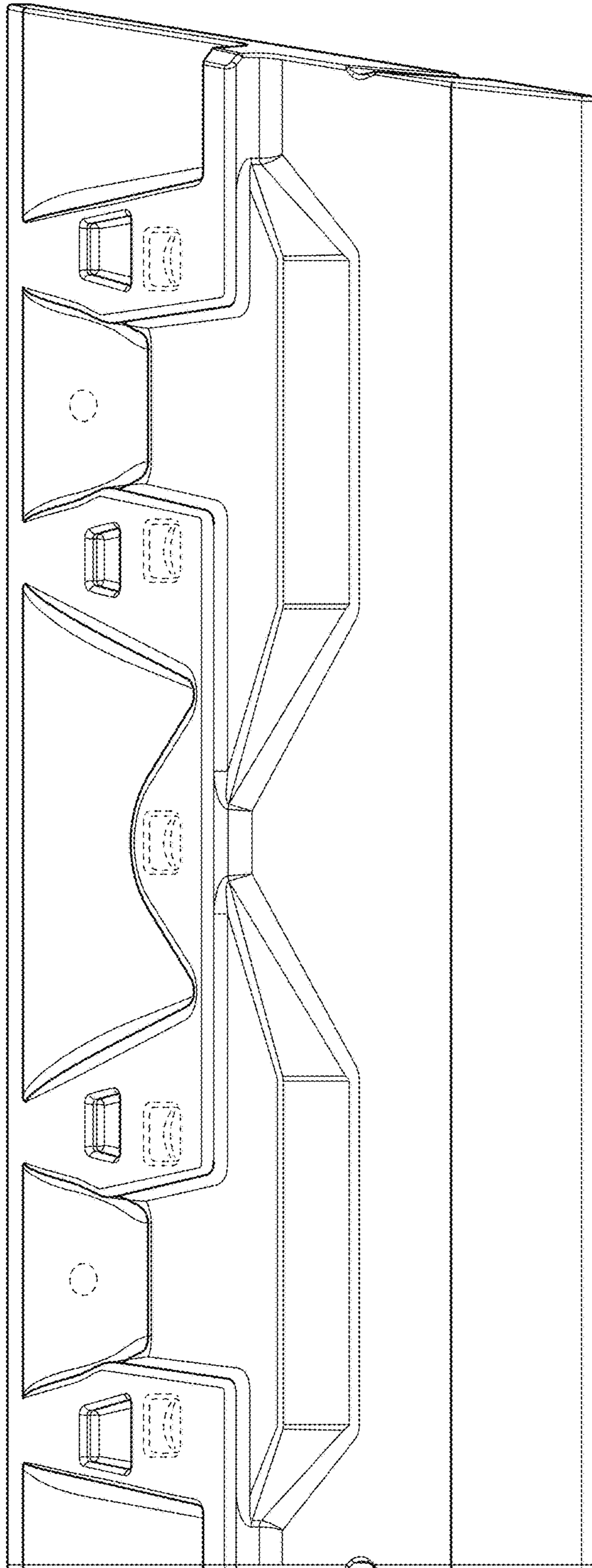


FIG. 7