



US00D867402S

(12) **United States Design Patent** (10) **Patent No.:** **US D867,402 S**
Durant et al. (45) **Date of Patent:** **** Nov. 19, 2019**

(54) **MICRODREDGE FRAME**

(56) **References Cited**

(71) Applicants: **Derek Ronald Durant**, Rockwall, TX (US); **Russell Thomas Martin**, Sugarland, TX (US); **Benjamin Edward Swann**, Pearland, TX (US); **Atlee Allen Zaborowski**, Kingwood, TX (US)

U.S. PATENT DOCUMENTS

D140,591 S *	3/1945	Hollmann et al.	37/97
3,047,969 A *	8/1962	Purdy	A01B 31/00 172/146
D201,980 S *	8/1965	Kane	D15/33
D237,528 S *	11/1975	Fisher et al.	172/776
D241,155 S *	8/1976	Walker	D15/27
D252,206 S *	6/1979	Walker	D15/27
D267,320 S *	12/1982	Symonds	171/71
D314,199 S *	1/1991	Dudley	D15/27
5,048,885 A *	9/1991	Bomar	A01D 87/127 296/6
5,256,024 A *	10/1993	Ross	B60P 3/06 280/638
5,257,885 A *	11/1993	Reil	A01D 87/127 280/490.1
D365,350 S *	12/1995	Willis	D15/27
5,511,921 A *	4/1996	Meijer	A01D 85/005 414/24.5
5,562,166 A *	10/1996	Griffin	A01B 33/02 172/103
5,579,847 A *	12/1996	Postema	A01B 45/02 172/21
D466,135 S *	11/2002	Spomer	D15/33

(72) Inventors: **Derek Ronald Durant**, Rockwall, TX (US); **Russell Thomas Martin**, Sugarland, TX (US); **Benjamin Edward Swann**, Pearland, TX (US); **Atlee Allen Zaborowski**, Kingwood, TX (US)

(**) **Term:** **15 Years**

(21) **Appl. No.:** **29/645,687**

(22) **Filed:** **Apr. 27, 2018**

(51) **LOC (12) Cl.** **15-03**

(52) **U.S. Cl.**
USPC **D15/27; D15/33**

(58) **Field of Classification Search**
USPC D15/10, 12, 27, 28, 33; 56/15.8, 15.9; 172/311, 210, 466, 484, 456, 481, 605, 172/626, 776, 507; 280/411.1, 412, 413, 280/415 A, 415 R, 482, 656
CPC A01B 73/065; A01B 73/005; A01B 73/00; A01B 73/02; A01B 73/04; A01B 73/06; A01B 49/06; A01B 49/00; A01B 61/044; A01B 61/048; A01B 5/04; A01B 49/027; A01B 73/046; A01B 73/048; A01B 63/002; A01B 63/14; A01B 63/32; A01B 63/118; A01C 7/208; A01C 7/18; A01C 7/00; A01C 7/20; A01C 7/06; A01C 5/064; A01C 5/068; A01C 7/203; A01C 7/205; A01C 7/206; Y10S 111/921; Y10S 111/923; Y10S 111/924; Y10S 111/925

See application file for complete search history.

(Continued)

Primary Examiner — Mark A Goodwin

(74) *Attorney, Agent, or Firm* — Edward V. Clancy

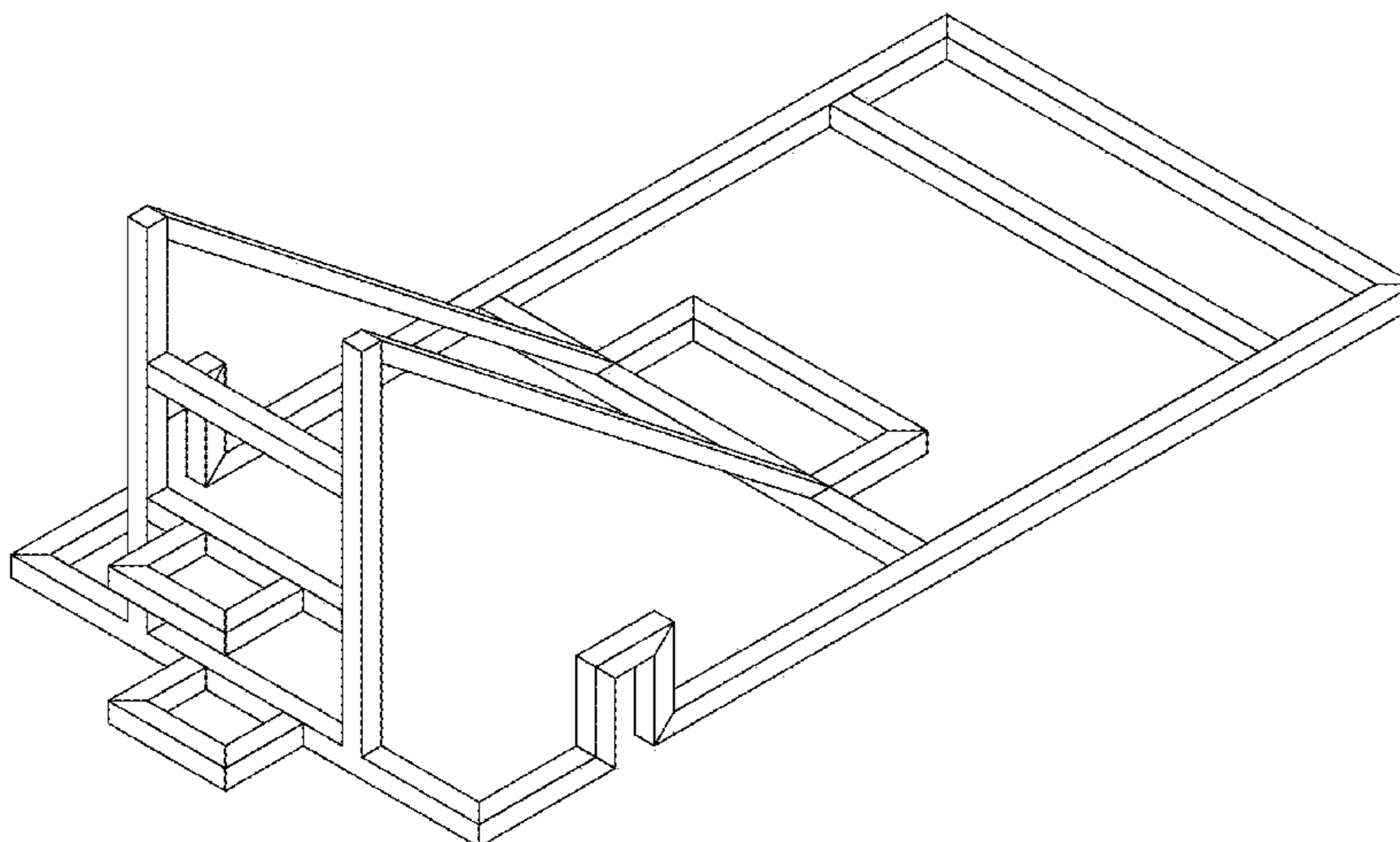
(57) **CLAIM**

We claim the ornamental design for a microdredge frame, as shown and described.

DESCRIPTION

FIG. 1 is a perspective view of the microdredge frame showing our new design;
FIG. 2 is a front view thereof;
FIG. 3 is a side view thereof; and,
FIG. 4 is a top view thereof.

1 Claim, 4 Drawing Sheets



(56)

References Cited

U.S. PATENT DOCUMENTS

D476,999	S	*	7/2003	Truan	D15/28
D588,614	S	*	3/2009	Peterson	D15/27
D623,669	S	*	9/2010	Kromminga	D15/27
D628,600	S	*	12/2010	Hicks	D15/27
D646,699	S	*	10/2011	Knobloch	D15/27
D786,943	S	*	5/2017	Gardner	D15/27
D787,564	S	*	5/2017	Kinzenbaw	D15/27
D823,348	S	*	7/2018	Sudbrink	D15/27

* cited by examiner

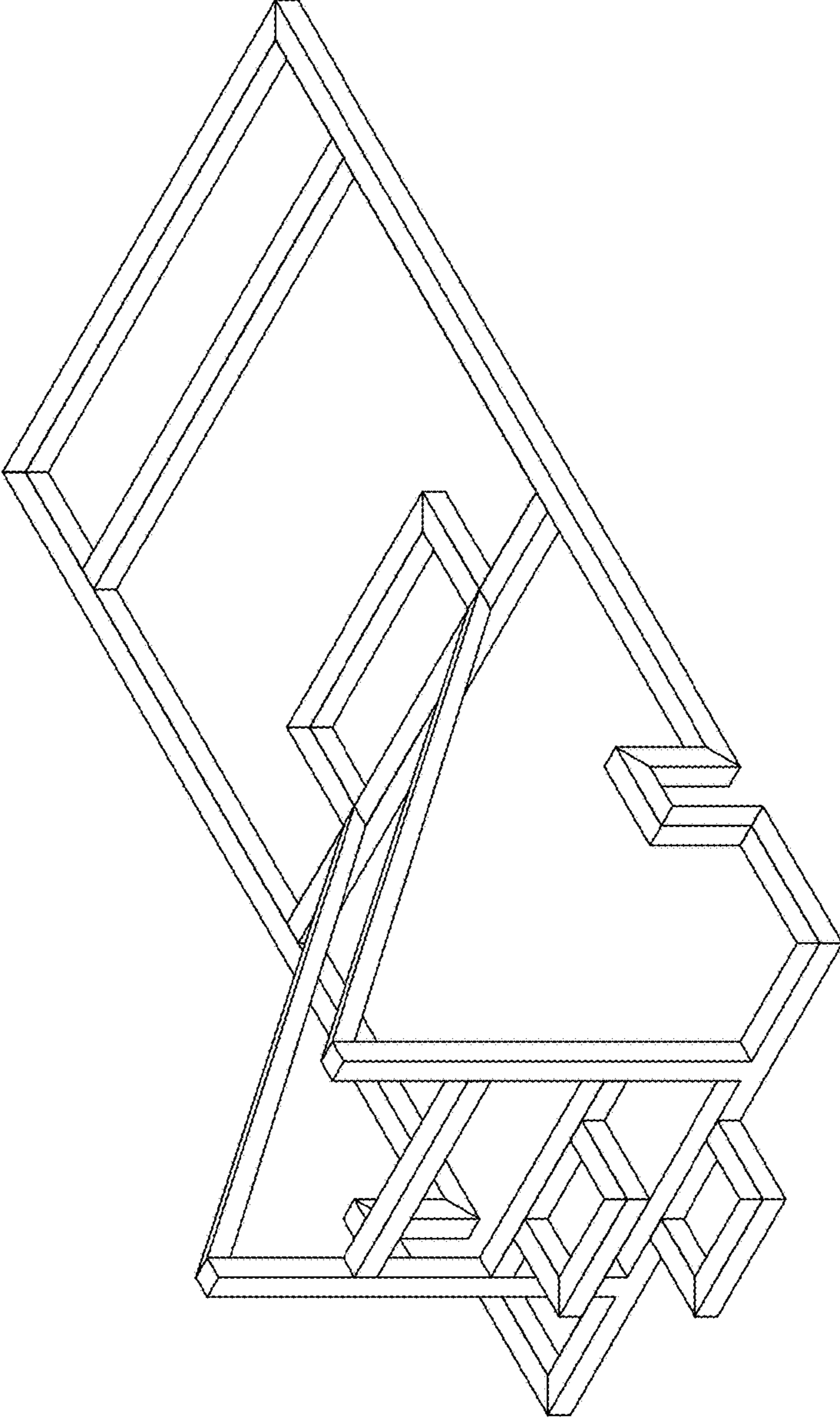


FIGURE 1

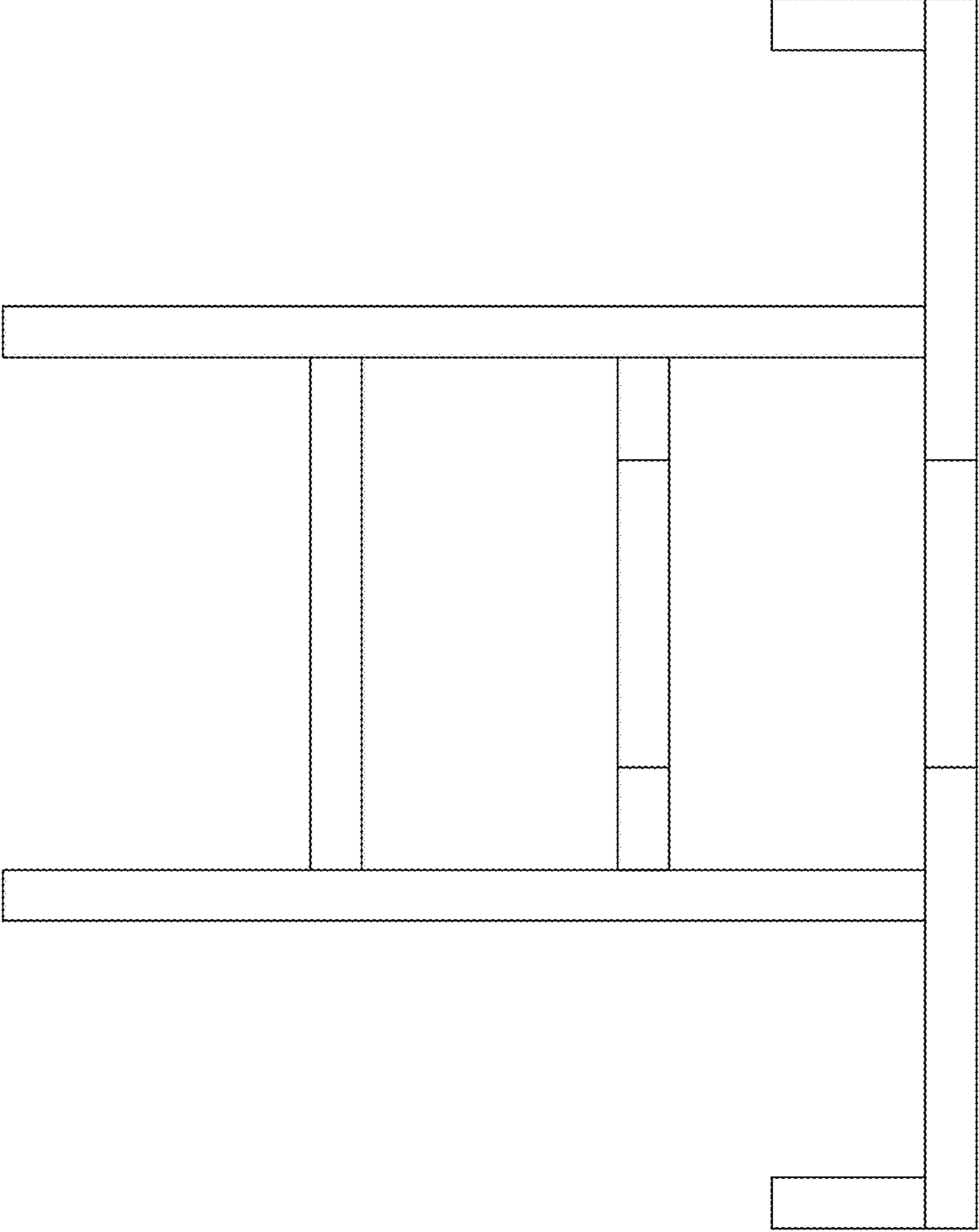


FIGURE 2

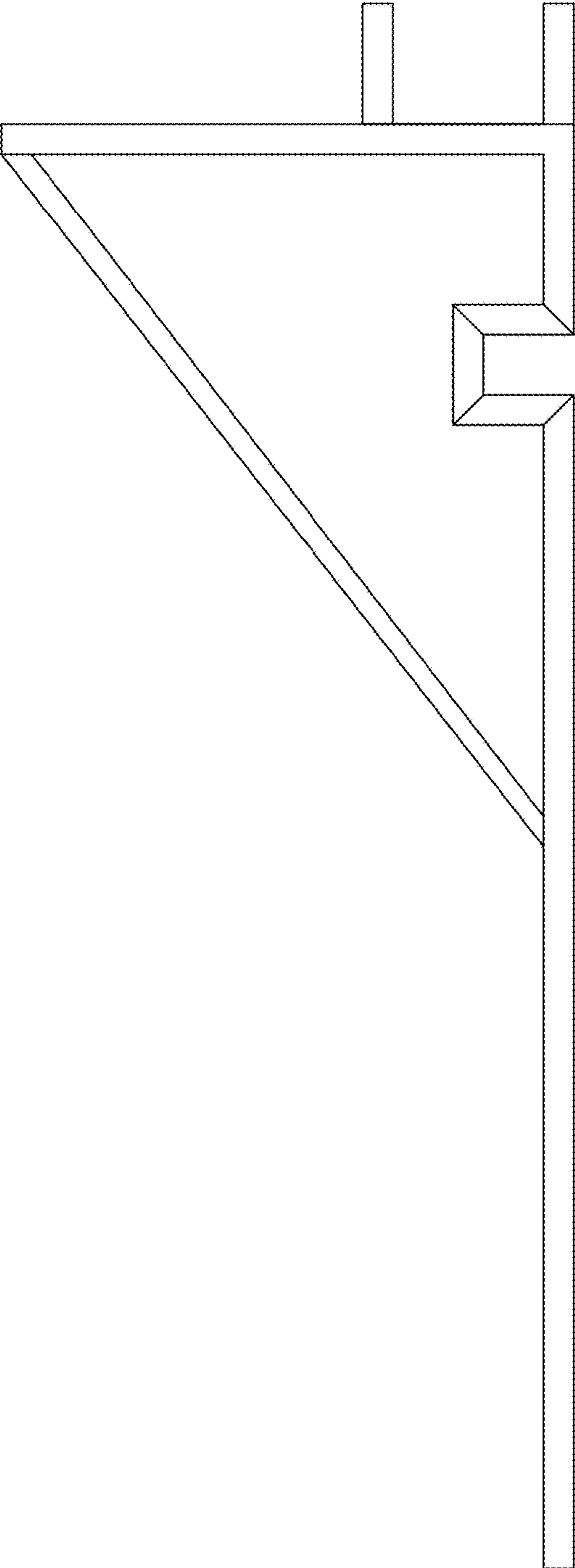


FIGURE 3

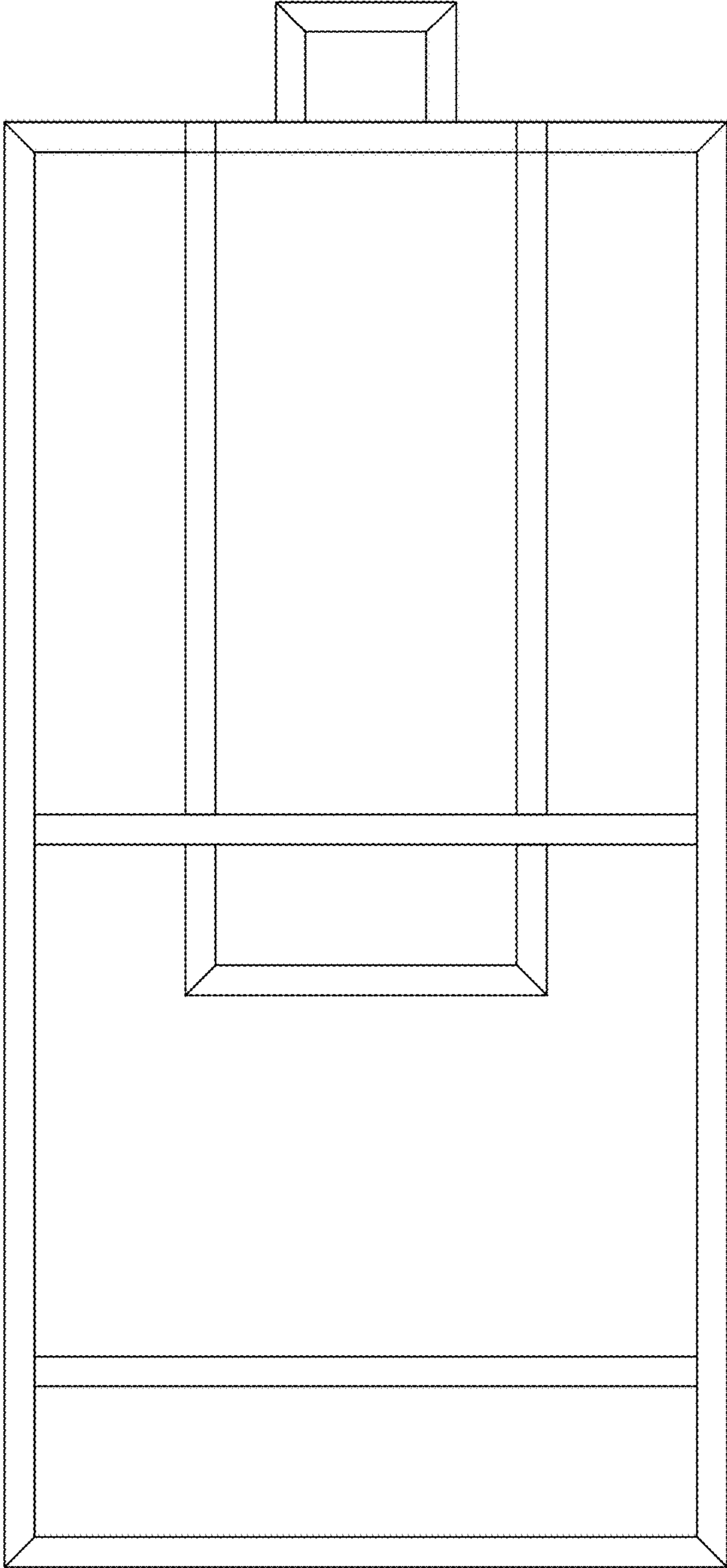


FIGURE 4