



US00D867401S

(12) **United States Design Patent**
Chung et al.

(10) **Patent No.: US D867,401 S**

(45) **Date of Patent: ** Nov. 19, 2019**

(54) **BUTTON TYPE INFLATOR**

(71) Applicant: **GENOSS CO., LTD.**, Suwon-si,
Gyeonggi-do (KR)

(72) Inventors: **Sung Min Chung**, Suwon-si (KR);
Wan Kyu Lee, Suwon-si (KR);
Hyeong Geun Shin, Suwon-si (KR)

(73) Assignee: **GENOSS CO., LTD.**, Gyeonggi-Do
(KR)

(**) Term: **15 Years**

(21) Appl. No.: **29/635,475**

(22) Filed: **Jan. 31, 2018**

(51) **LOC (12) Cl.** **15-03**

(52) **U.S. Cl.**
USPC **D15/9**

(58) **Field of Classification Search**
USPC D15/7-9; D23/231, 232, 225;
D24/112-114, 130, 127, 133, 186
CPC F25D 23/028; F25D 11/02; F25D 23/126;
F25D 25/02; F25D 27/00; F25D 27/005;
F25D 23/025; F25D 23/04; F25D
2323/021; F25D 2323/023; F25D 23/062;
F25D 25/025; F25D 17/045; F25D
2325/021; F25D 2325/022; F25D 23/00;
F25D 23/02; F25D 23/067; F25D 23/069;
F25D 2400/361; F25D 2500/02; F25D
2500/06; F25D 25/024; F25D 29/00;
F25D 11/00; F25D 11/022; F25D 17/065;
F25D 21/04; F25D 2317/061; F25D
2317/063; F25D 2317/0651; F25D
2317/0653; F25D 2317/0661; F25D
2317/0665; F25D 2323/121; F25D
2323/122; F25D 2327/00; F25D
2327/001; F25D 2331/81; F25D 23/021;
F25D 23/06; F25D 23/066; F25D 23/10;
F25D 23/12; F25D 2400/00; F25D
2400/02; F25D 2400/04; F25D 2400/16;
F25D 2400/36; F25D 2400/40; F25D

25/022; F25D 25/0272; F25D 25/028;
F25D 2600/02; F25D 2600/06; F25D
2700/00; F25D 2700/04; F25D 2700/12;
F25D 2700/122; F25D 2700/14; F25D
29/005; F25D 31/00; F25D 31/002; F25D
31/005

See application file for complete search history.

(56) **References Cited**

U.S. PATENT DOCUMENTS

4,655,749 A * 4/1987 Fischione A61M 25/10184
600/561
D309,663 S * 7/1990 Robinson D24/111
D330,078 S * 10/1992 Porter D23/231
D330,763 S * 11/1992 Penny D24/113
8,496,617 B2 * 7/2013 Caclin A61M 25/1018
604/100.03
8,540,750 B2 * 9/2013 Tegels B29C 66/52272
604/96.01
D716,441 S * 10/2014 Johnson D24/112
D746,977 S * 1/2016 Johnson D24/112

(Continued)

Primary Examiner — Khawaja Anwar

(74) *Attorney, Agent, or Firm* — Davis & Bujold PLLC;
Michael J. Bujold

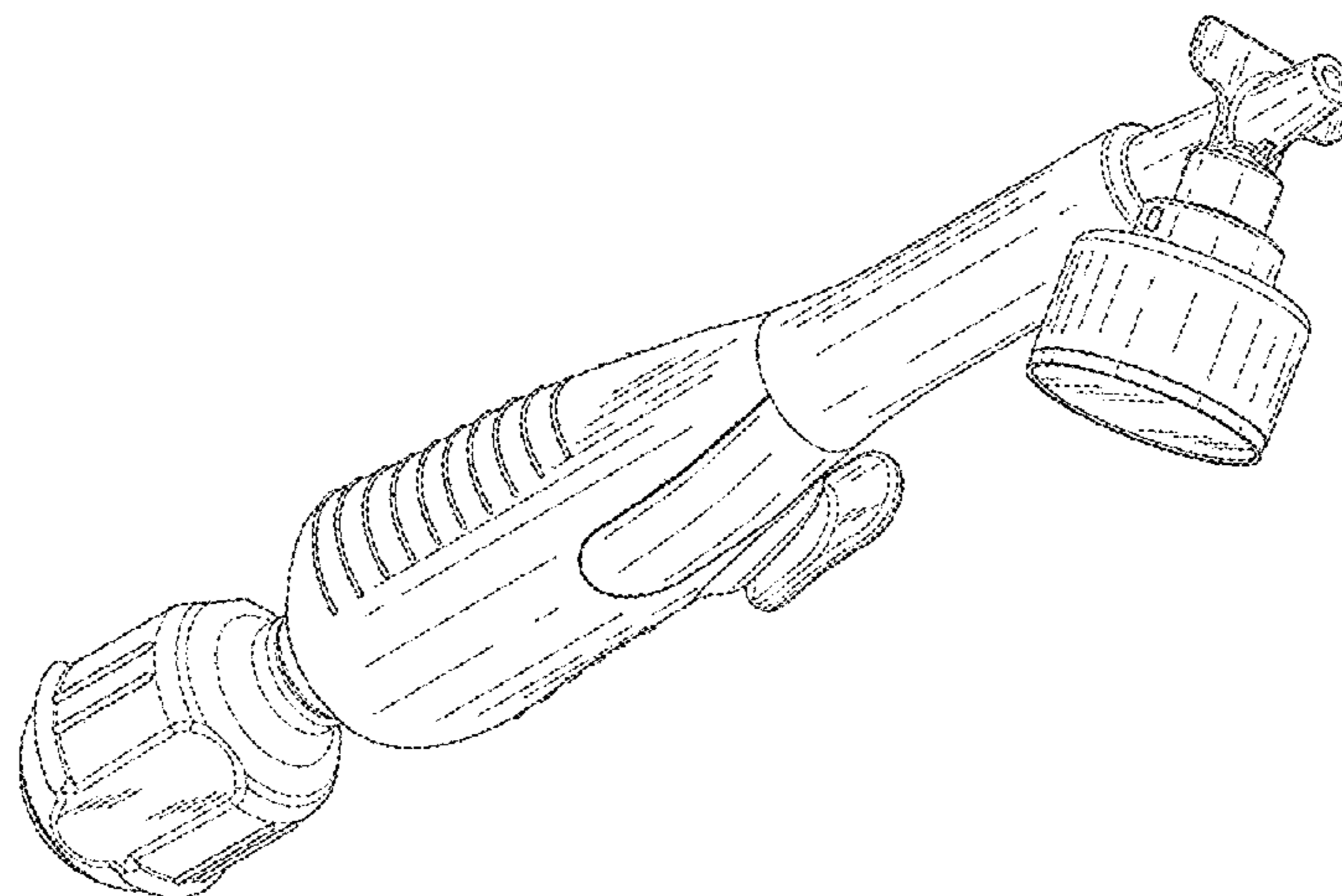
(57) **CLAIM**

We claim the ornamental design for a button type inflator, as shown and described.

DESCRIPTION

FIG. 1 is a front, bottom, left perspective view of a button type inflator embodying our new design;
FIG. 2 is a front elevational view thereof;
FIG. 3 is a rear elevational view thereof;
FIG. 4 is a right side elevational view thereof;
FIG. 5 is a left side elevational view thereof;
FIG. 6 is a top plan view thereof; and,
FIG. 7 is a bottom plan view thereof.

1 Claim, 7 Drawing Sheets



(56)

References Cited

U.S. PATENT DOCUMENTS

D834,682 S * 11/2018 Liao D23/231
2014/0074140 A1 * 3/2014 Johnson A61M 25/10182
606/192

* cited by examiner

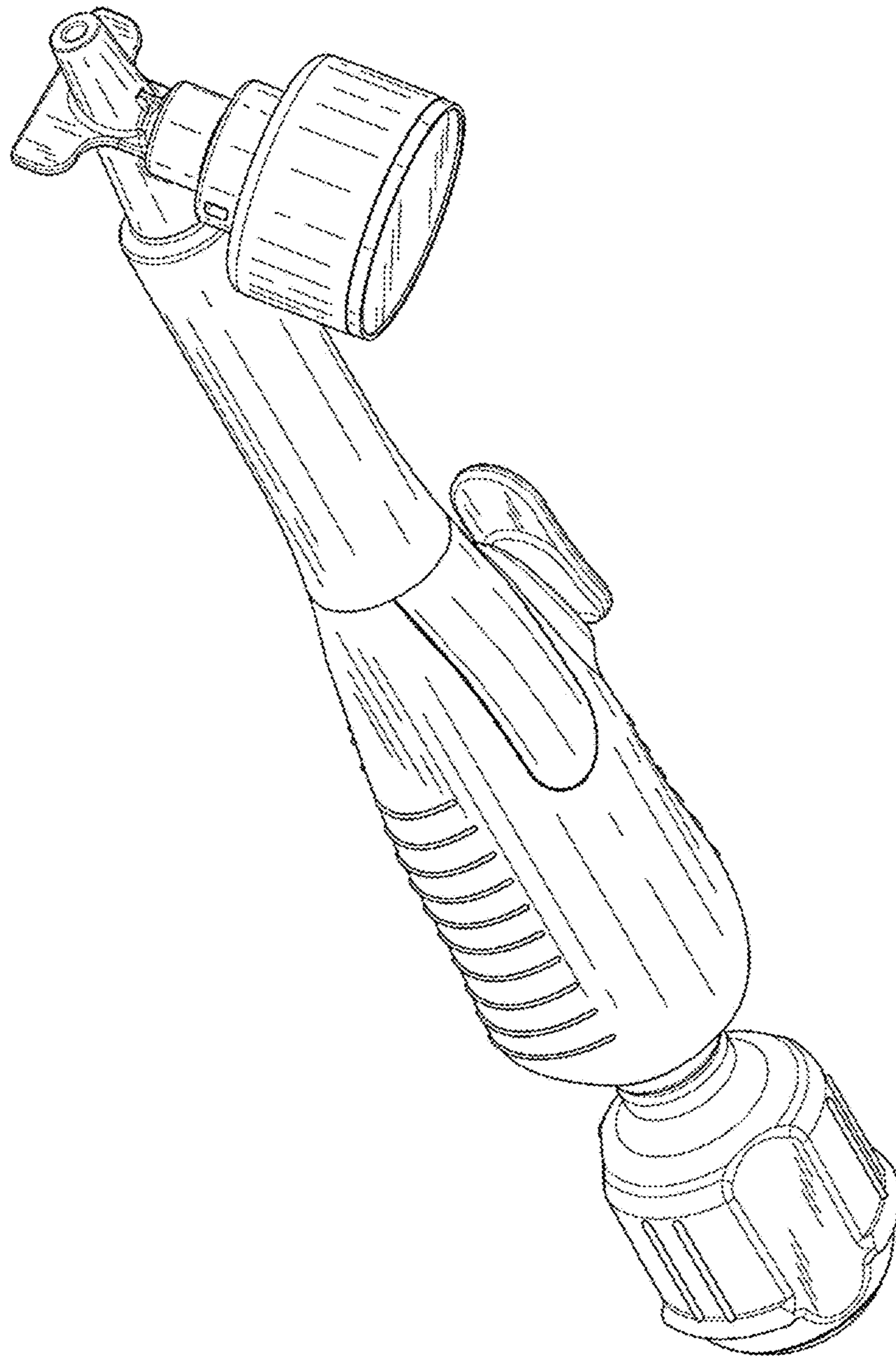


Fig. 1

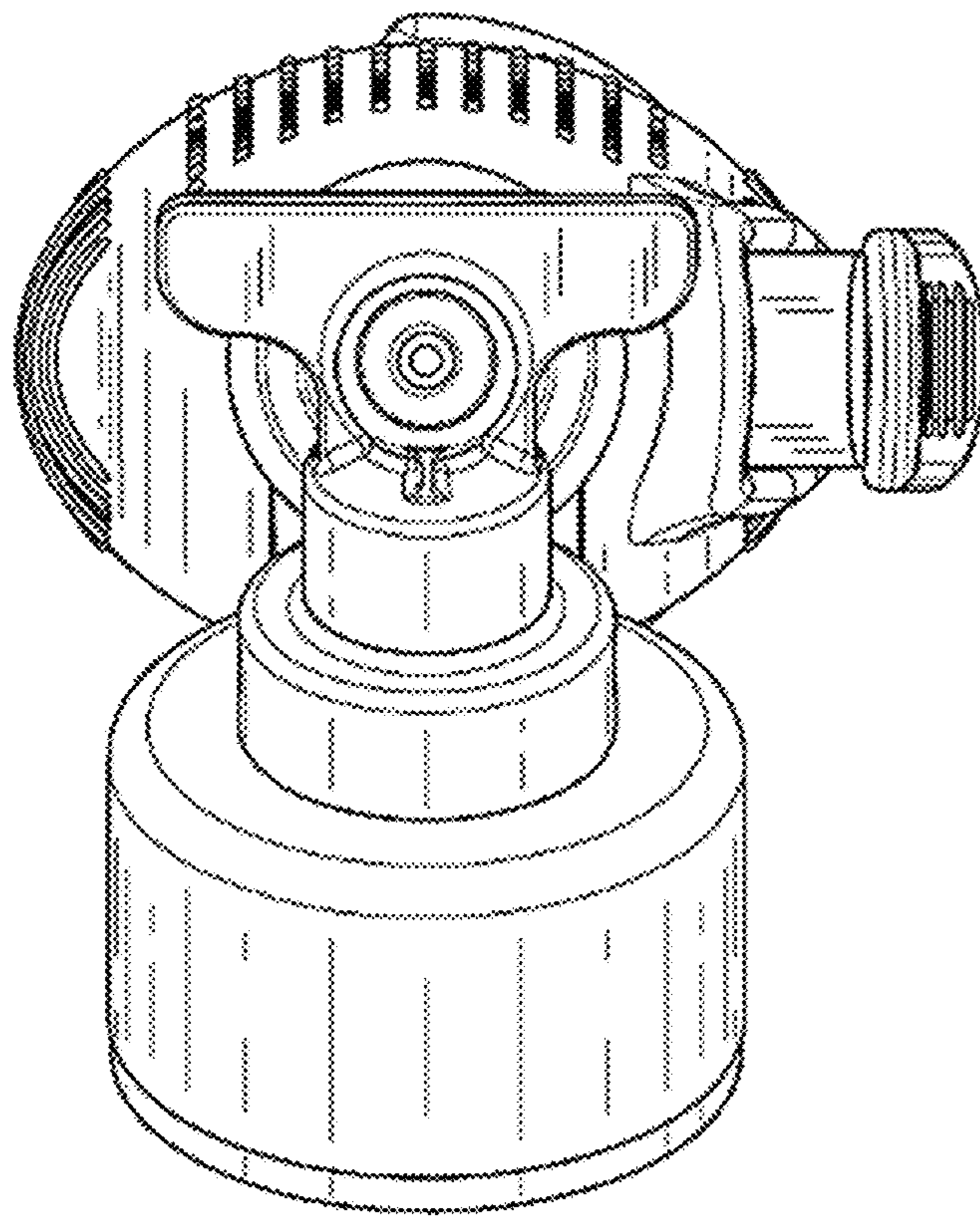


Fig. 2

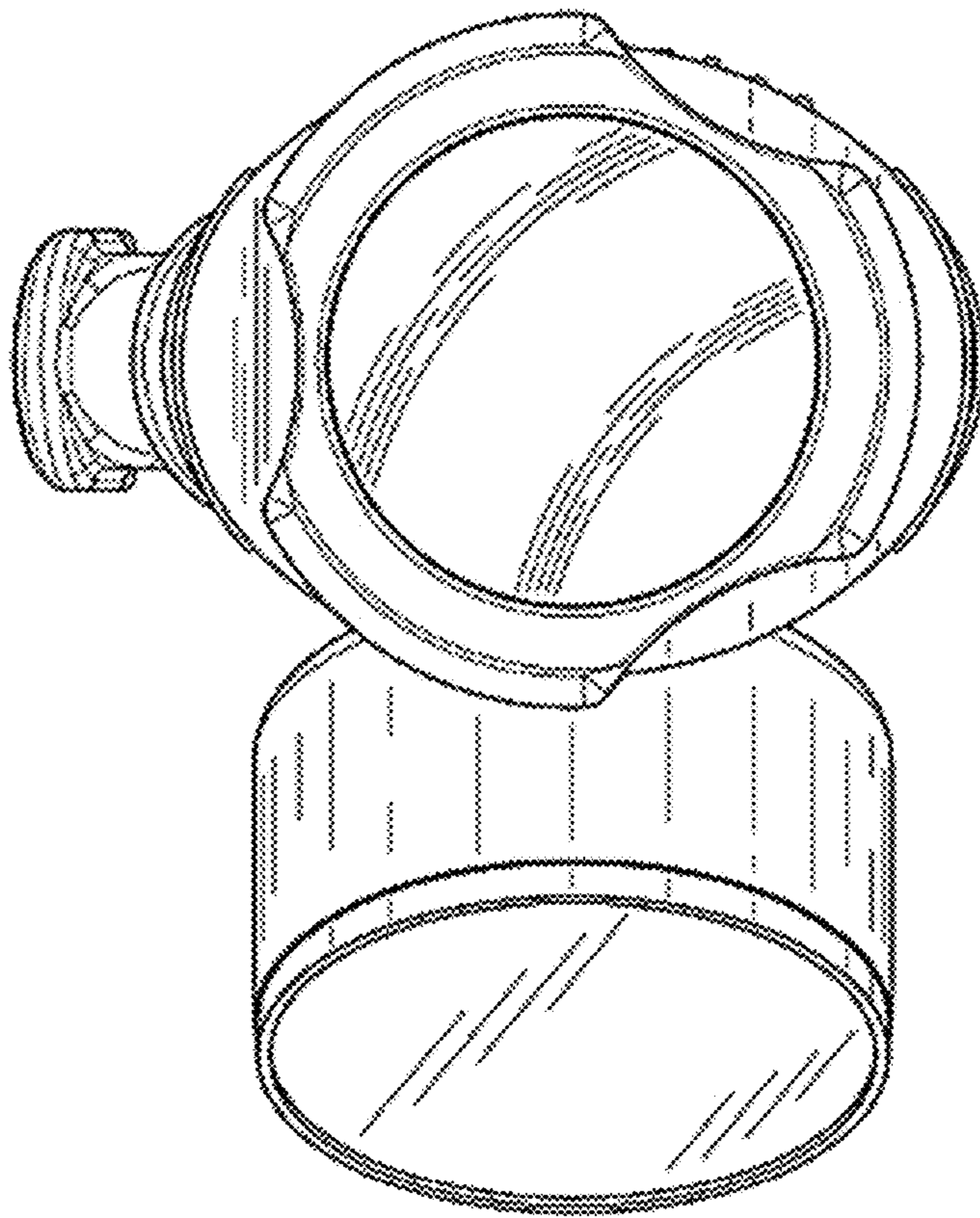


Fig. 3

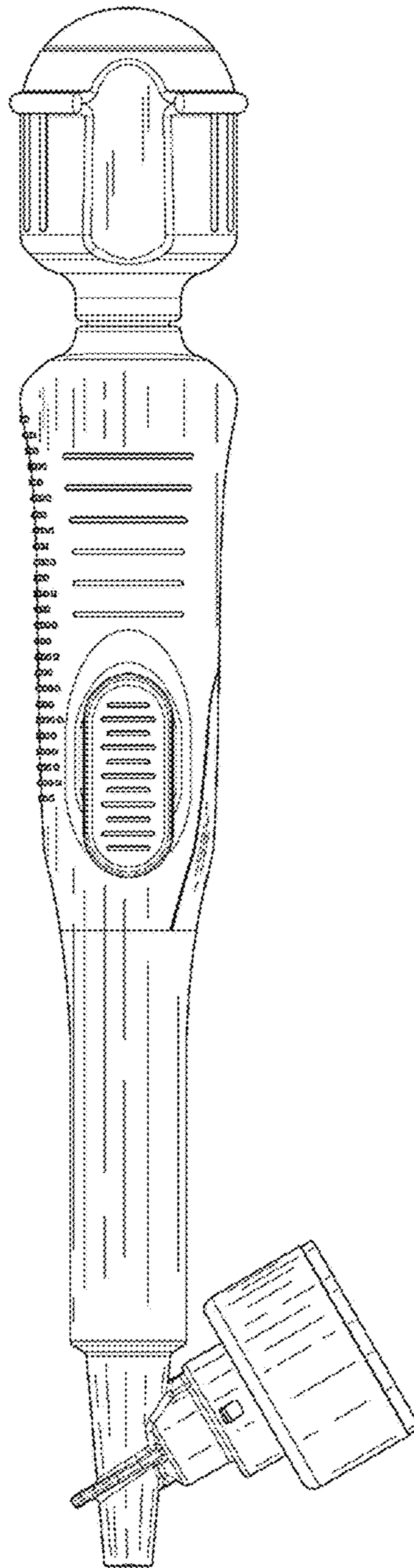


Fig. 4

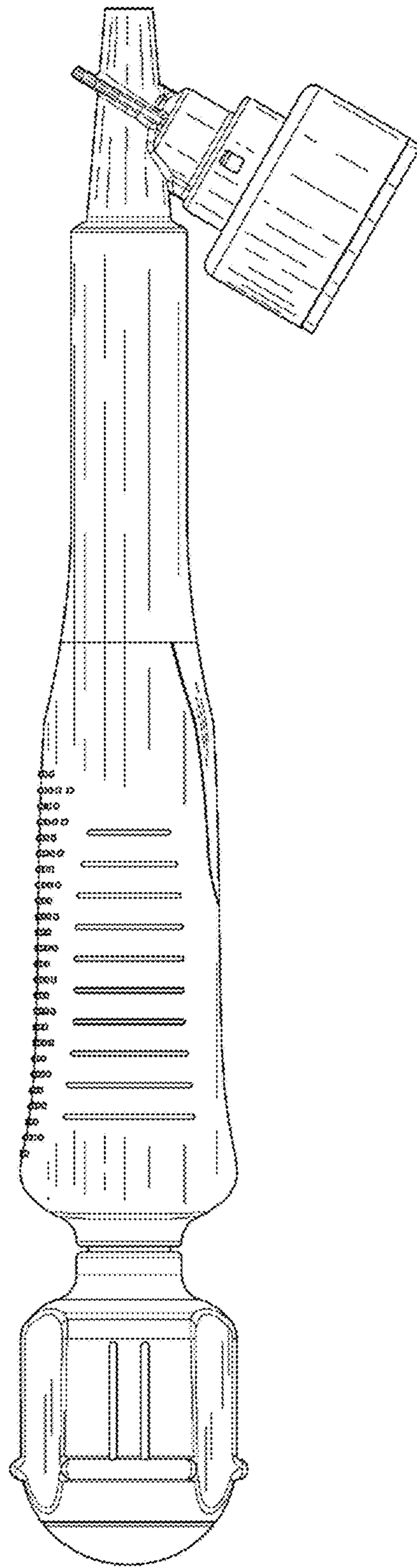


Fig. 5

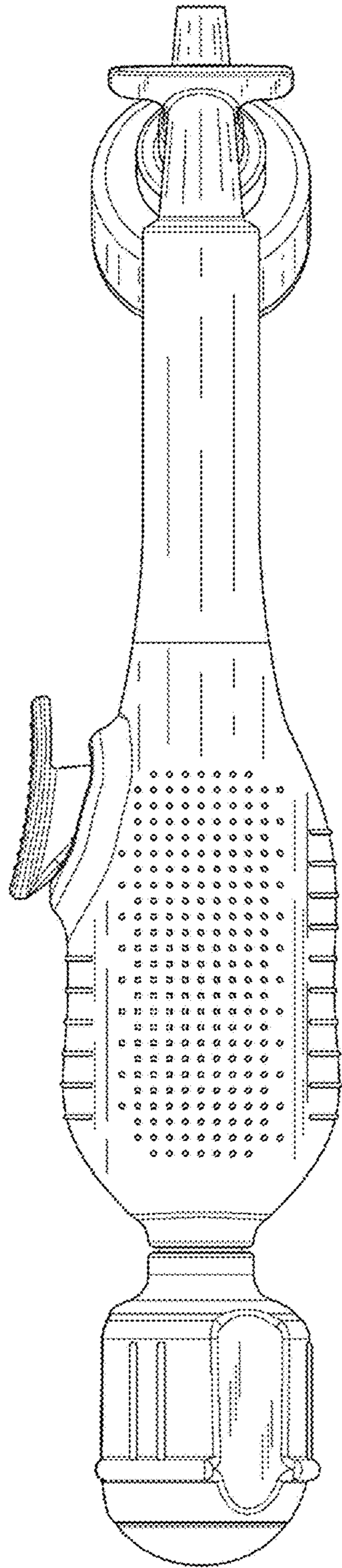


Fig. 6

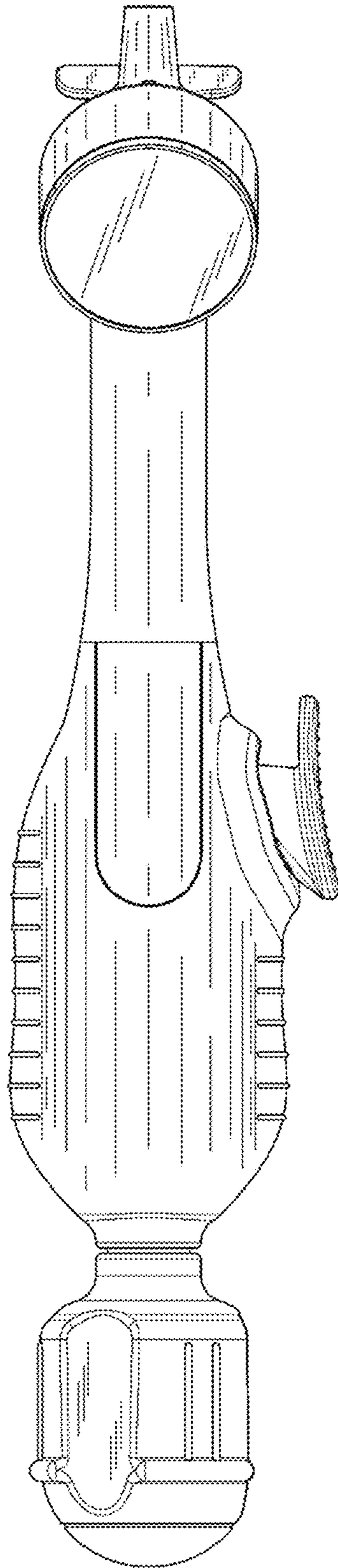


Fig. 7