



US00D867400S

(12) **United States Design Patent** (10) **Patent No.:** **US D867,400 S**  
**Xiang et al.** (45) **Date of Patent:** **\*\* Nov. 19, 2019**

(54) **WATER PUMP**  
(71) Applicant: **Ningbo FareastTech Catalyst Engineering Co., Ltd., Ningbo (CN)**  
(72) Inventors: **Yuqiao Xiang, Ningbo (CN); Bin Ma, Ningbo (CN)**  
(73) Assignee: **Ningbo Fareasttech Catalyst Engineering Co., Ltd., Ningbo (CN)**  
(\*\*) Term: **15 Years**  
(21) Appl. No.: **29/630,631**  
(22) Filed: **Dec. 21, 2017**  
(51) **LOC (12) Cl.** ..... **15-03**  
(52) **U.S. Cl.**  
USPC ..... **D15/7**  
(58) **Field of Classification Search**  
USPC ..... D15/7-9; D23/225, 231, 232  
CPC ..... F02M 37/04; F02M 37/14; F04B 53/92;  
F04B 1/005; F04D 13/06; F04D 29/22;  
F04D 29/046; F04D 29/2266  
See application file for complete search history.

D797,156 S \* 9/2017 Paderni ..... D15/7  
D817,364 S \* 5/2018 He ..... D15/7  
D822,719 S \* 7/2018 Hines ..... D15/7  
D840,437 S \* 2/2019 Blaser ..... D15/7  
D841,696 S \* 2/2019 Blaser ..... D15/7  
D842,339 S \* 3/2019 Bao ..... D15/7  
D842,340 S \* 3/2019 Kuang ..... D15/7  
D842,904 S \* 3/2019 Geldenhuys ..... D15/7

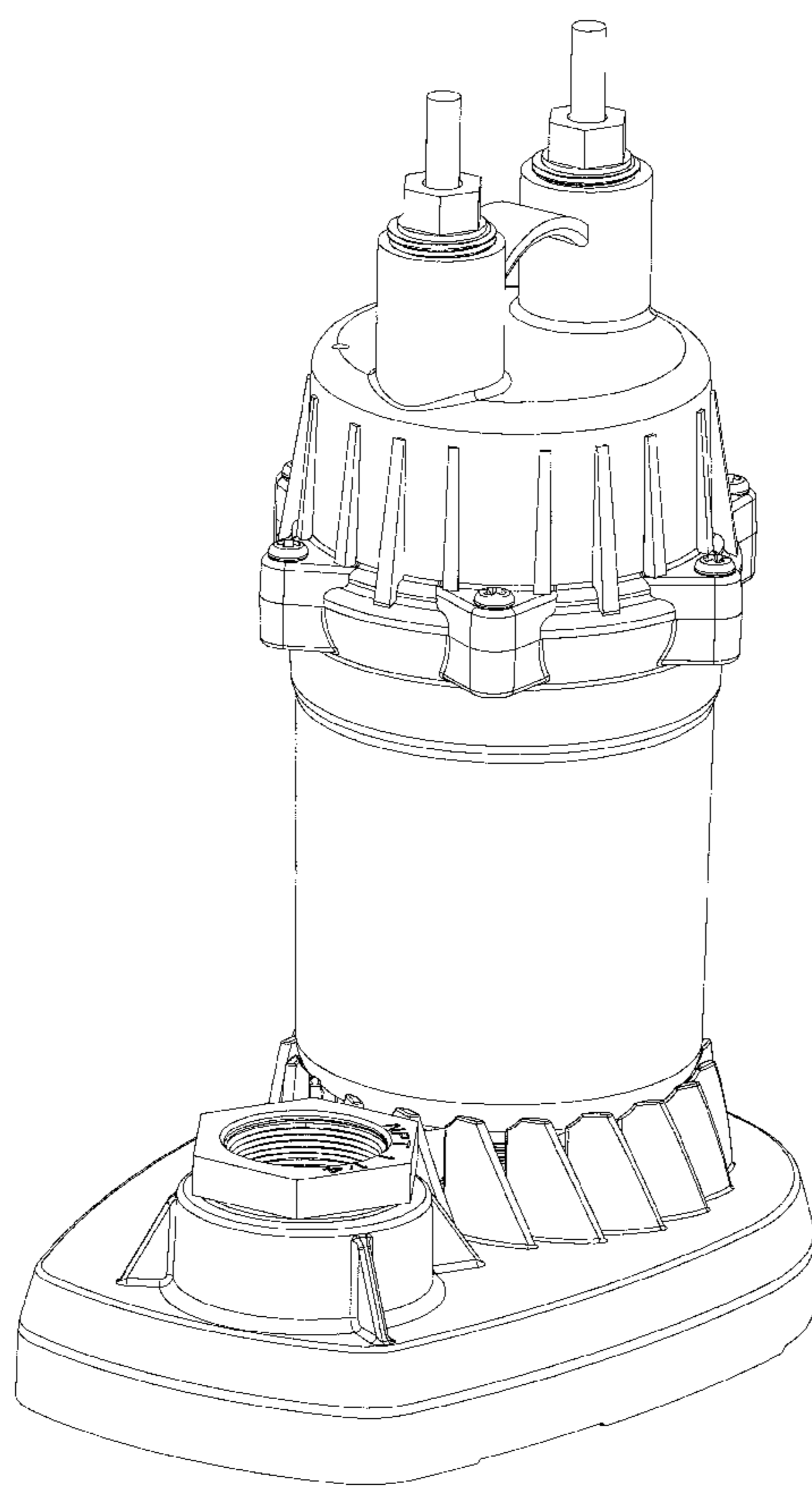
\* cited by examiner  
*Primary Examiner* — Khawaja Anwar  
(74) *Attorney, Agent, or Firm* — Muncy, Geissler, Olds & Lowe, P.C.

(57) **CLAIM**  
The ornamental design for a water pump, as shown and described.

**DESCRIPTION**  
FIG. 1 is a Front elevational view of a water pump showing my new design;  
FIG. 2 is a Rear elevational view thereof;  
FIG. 3 is a Left side view thereof;  
FIG. 4 is a Right side view thereof;  
FIG. 5 is a Top plan view thereof;  
FIG. 6 is a Bottom plan view thereof; and,  
FIG. 7 is a Perspective view thereof.  
The broken lines are for the purpose of illustrating portions of the water pump which form no part of the claimed design.

(56) **References Cited**  
U.S. PATENT DOCUMENTS  
D787,561 S \* 5/2017 Theiss ..... D15/7  
D788,178 S \* 5/2017 Theiss ..... D15/7

**1 Claim, 7 Drawing Sheets**



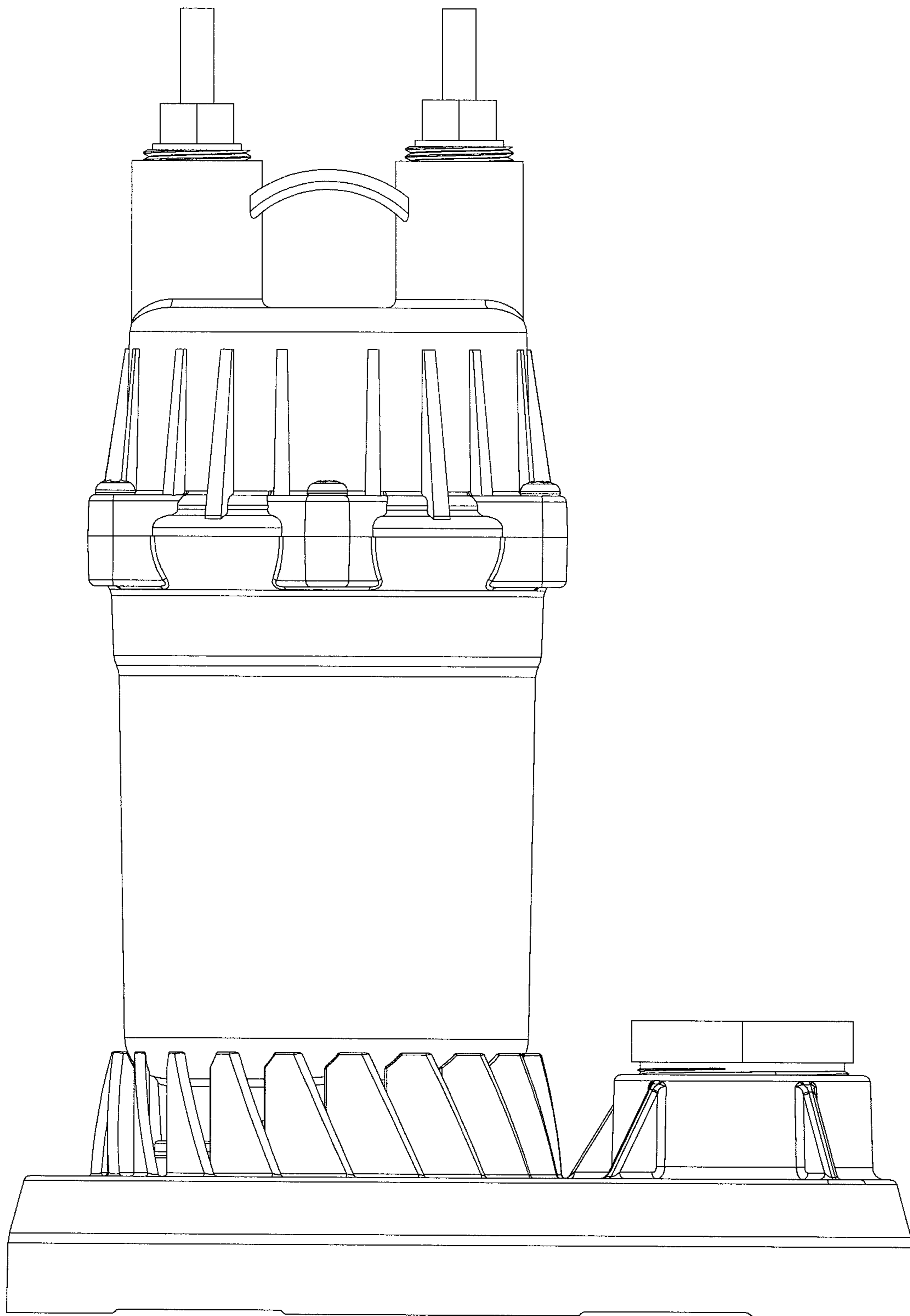


Fig. 1

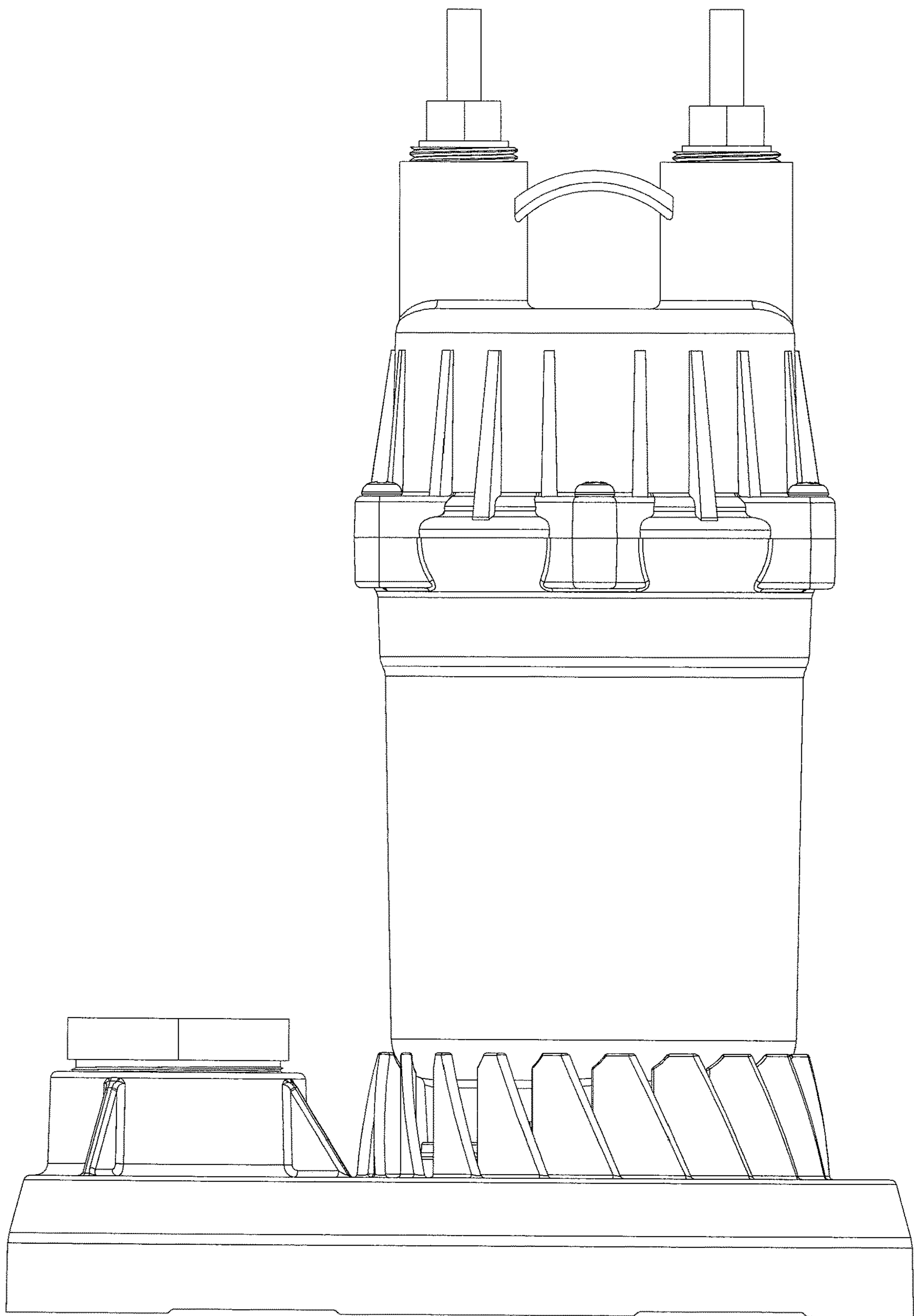


Fig. 2

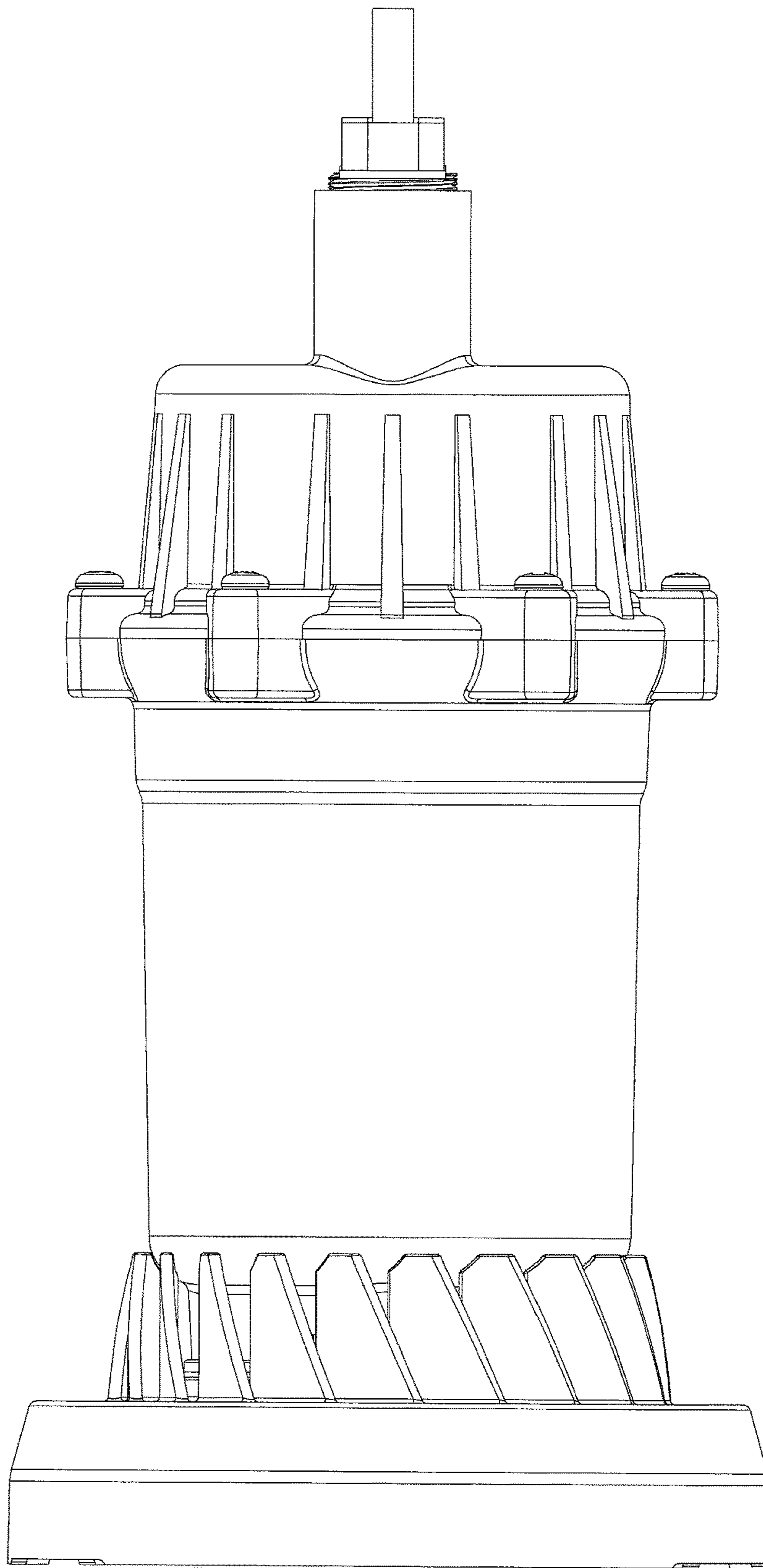


Fig. 3

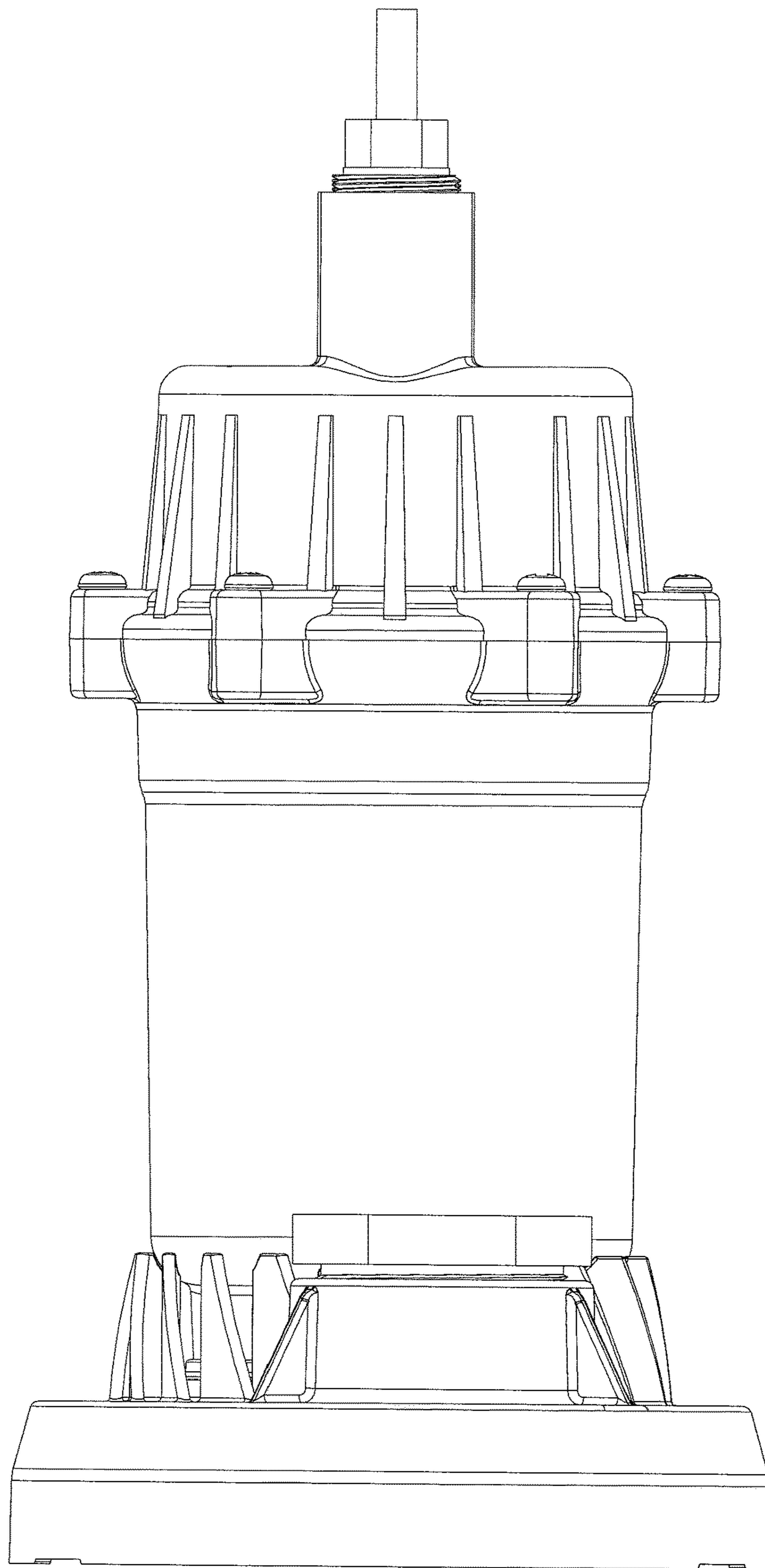


Fig. 4

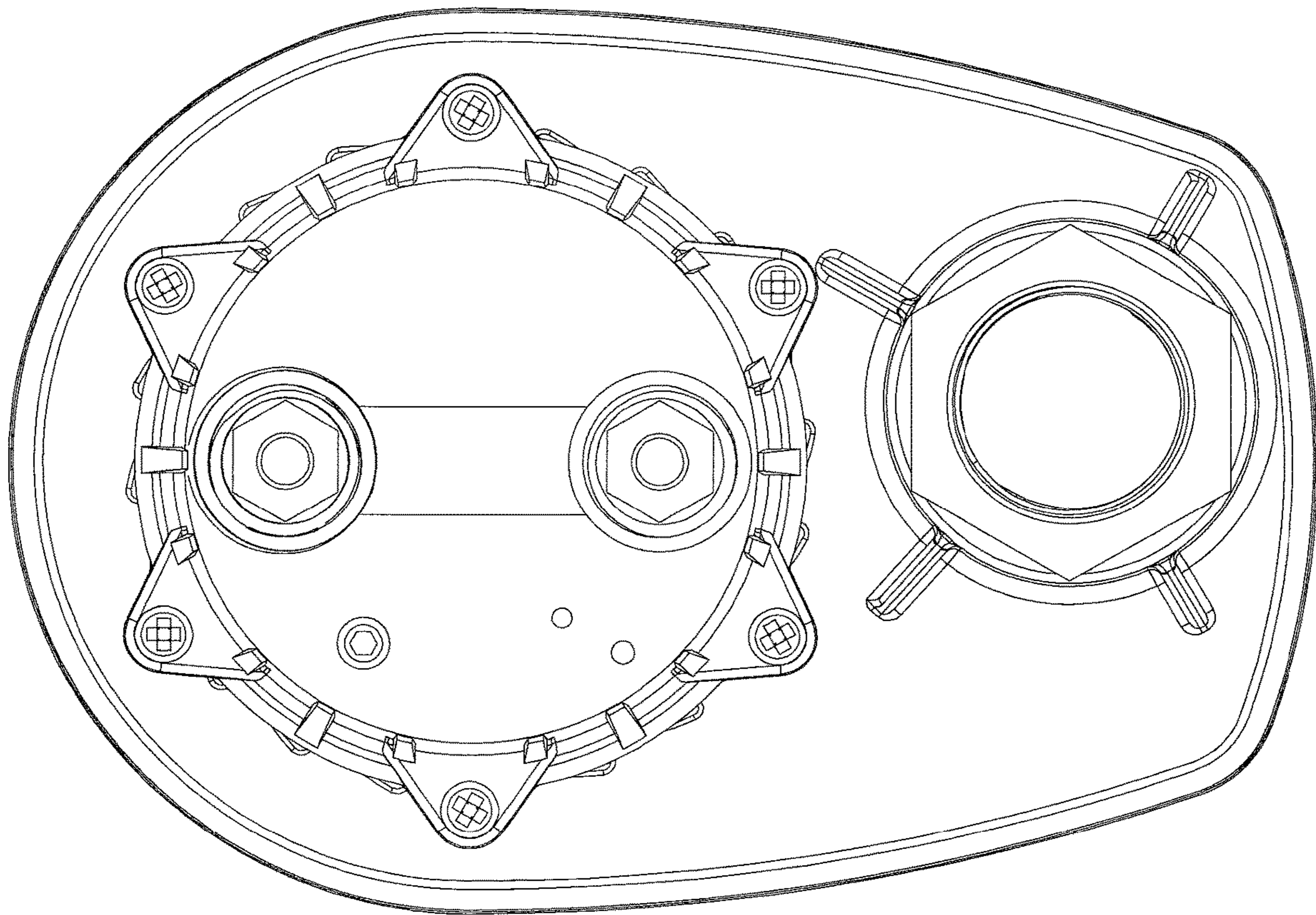


Fig. 5

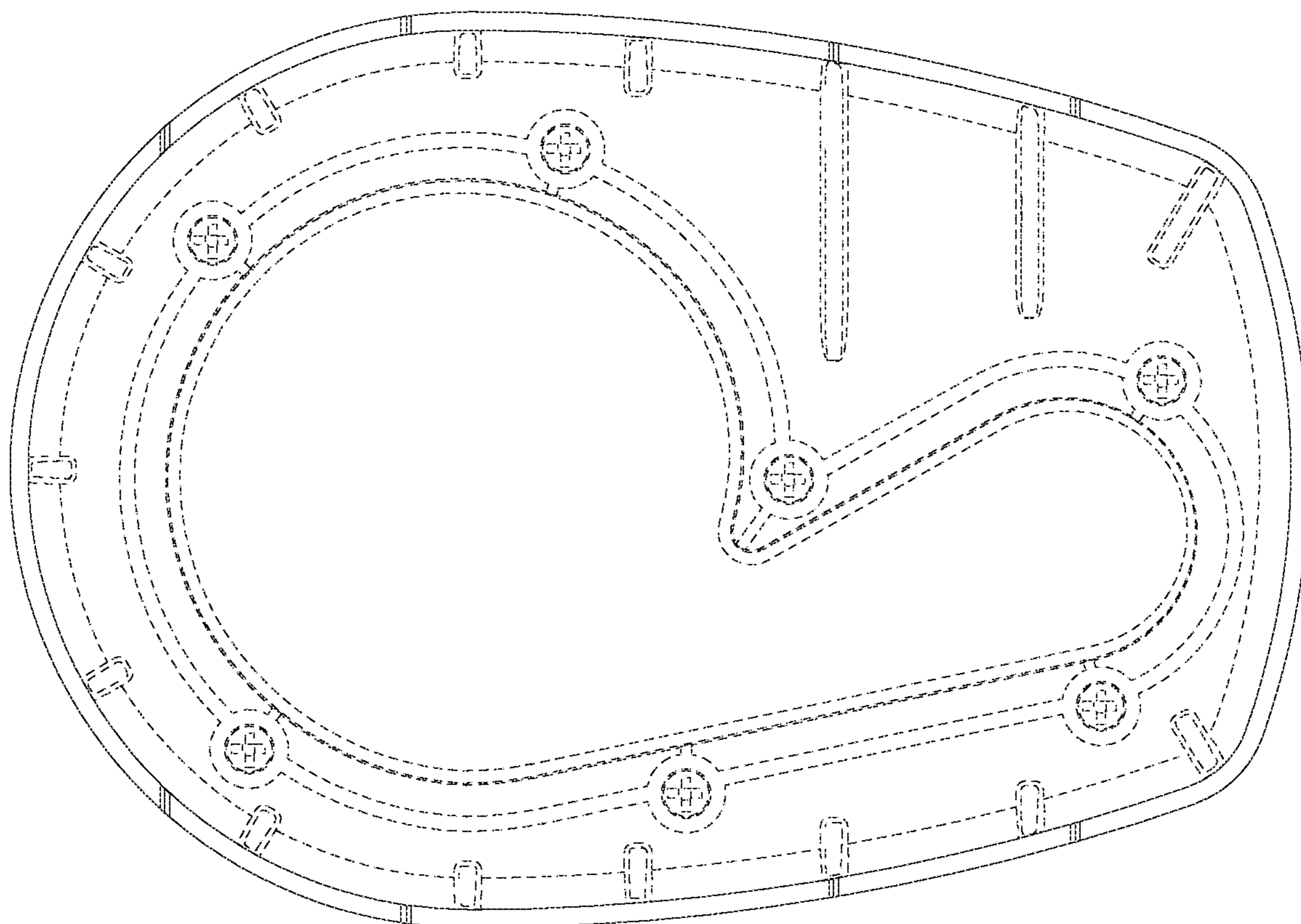


Fig. 6

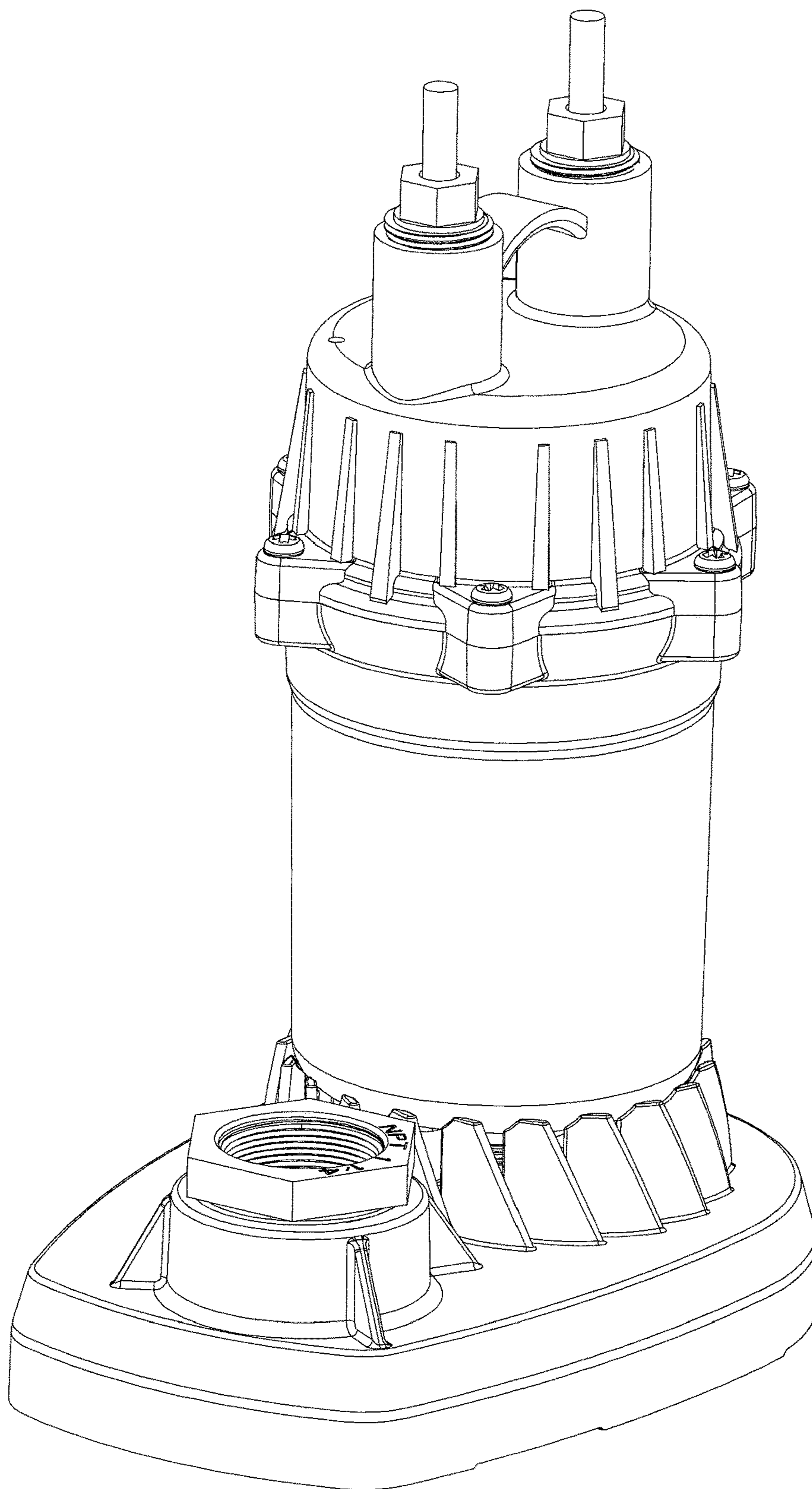


Fig. 7