



US00D867398S

(12) **United States Design Patent** (10) **Patent No.:** **US D867,398 S**
Sato et al. (45) **Date of Patent:** **** Nov. 19, 2019**

(54) **FLUID PRESSURE CYLINDER WITH TABLE**

(71) Applicant: **SMC CORPORATION**, Tokyo (JP)

(72) Inventors: **Motohiro Sato**, Toride (JP); **Nariaki Suzuki**, Tokyo (JP); **Toshio Sato**, Tsukuba (JP)

(73) Assignee: **SMC CORPORATION**, Tokyo (JP)

(**) Term: **15 Years**

(21) Appl. No.: **29/568,448**

(22) Filed: **Jun. 17, 2016**

(30) **Foreign Application Priority Data**

Dec. 18, 2015 (CN) 2015 3 0541327

(51) **LOC (12) Cl.** **15-01**

(52) **U.S. Cl.**
USPC **D15/5; D23/235**

(58) **Field of Classification Search**
USPC D15/1-7; D23/233-237, 240-249
(Continued)

(56) **References Cited**

U.S. PATENT DOCUMENTS

D295,049 S * 4/1988 Kanno D15/7
4,854,563 A 8/1989 Toss
(Continued)

FOREIGN PATENT DOCUMENTS

JP 847999 S 9/1992
JP 858349 S 1/1993
(Continued)

Primary Examiner — T Chase Nelson

Assistant Examiner — Ania Aman

(74) *Attorney, Agent, or Firm* — Birch, Stewart, Kolasch & Birch, LLP

(57) **CLAIM**

The ornamental design for a fluid pressure cylinder with table, as shown and described.

DESCRIPTION

FIG. 1 is a front, top and left side perspective view of a fluid pressure cylinder with table showing a first embodiment of our new design;

FIG. 2 is a rear, bottom and right side perspective view thereof;

FIG. 3 is a front view thereof;

FIG. 4 is a rear view thereof;

FIG. 5 is a top plan view thereof;

FIG. 6 is a bottom plan view thereof;

FIG. 7 is a left side view thereof;

FIG. 8 is a right side view thereof;

FIG. 9 is a front, top and left side perspective view of a fluid pressure cylinder with table showing a second embodiment of our new design;

FIG. 10 is a rear, bottom and right side perspective view of FIG. 9;

FIG. 11 is a front view of FIG. 9;

FIG. 12 is a rear view of FIG. 9;

FIG. 13 is a top plan view of FIG. 9;

FIG. 14 is a bottom plan view of FIG. 9;

FIG. 15 is a left side view of FIG. 9;

FIG. 16 is a right side view of FIG. 9;

FIG. 17 is a front, top and left side perspective view of a fluid pressure cylinder with table showing a third embodiment of our new design;

FIG. 18 is a rear, bottom and right side perspective view of FIG. 17;

FIG. 19 is a front view of FIG. 17;

FIG. 20 is a rear view of FIG. 17;

FIG. 21 is a top plan view of FIG. 17;

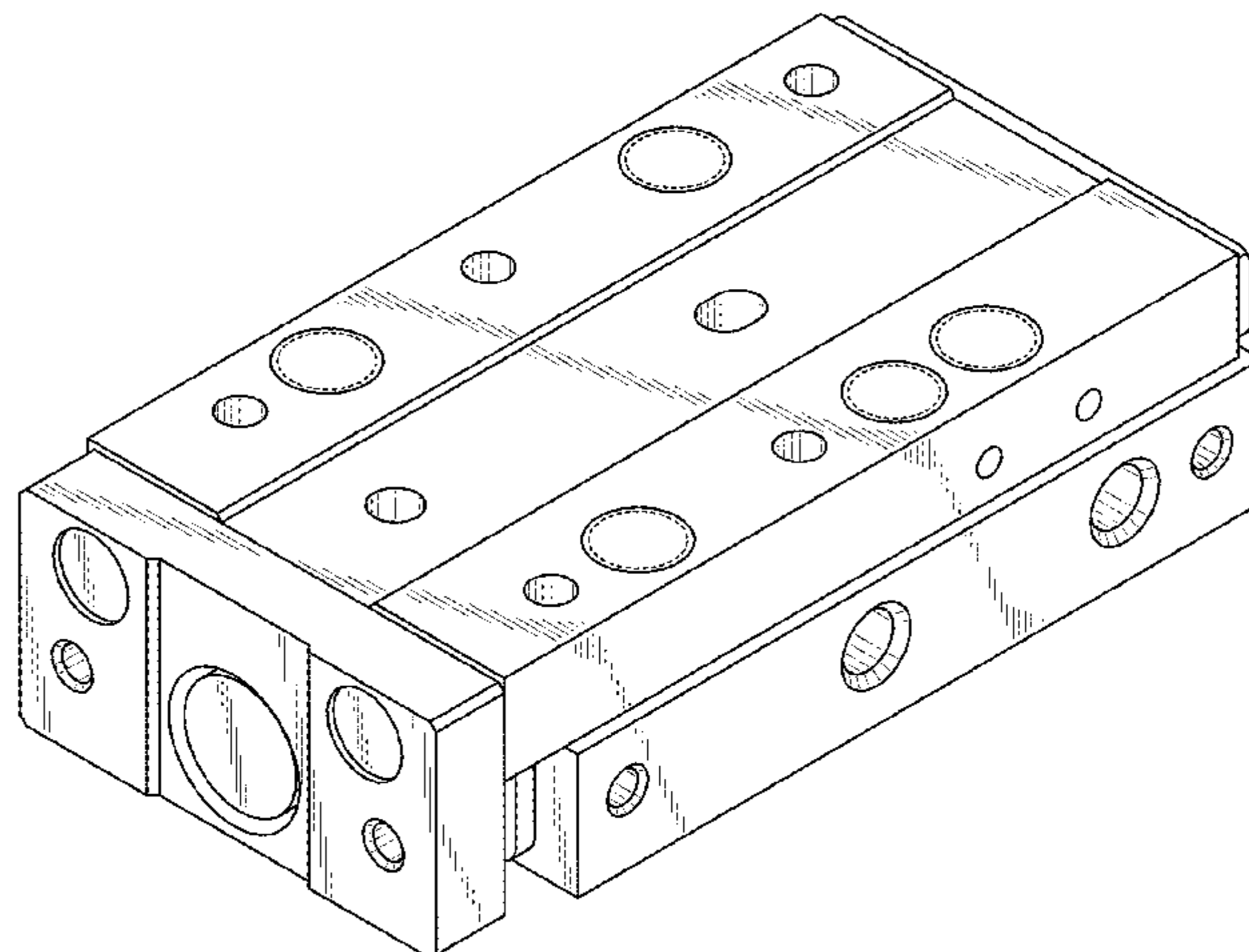
FIG. 22 is a bottom plan view of FIG. 17;

FIG. 23 is a left side view of FIG. 17; and,

FIG. 24 is a right side view of FIG. 17.

The broken lines in the figures depict the bounds of the claimed design and unclaimed subject matter, which forms no part of the claimed design.

1 Claim, 24 Drawing Sheets



(58) **Field of Classification Search**

CPC F15B 15/24; F15B 15/26; F15B 15/08;
F15B 15/14; F15B 15/1428

See application file for complete search history.

(56) **References Cited**

U.S. PATENT DOCUMENTS

5,351,603 A * 10/1994 Yuda B23Q 37/00
92/128
6,177,743 B1 * 1/2001 Hartrampf F15B 15/1428
310/112
D444,795 S * 7/2001 Wakasugi D15/7
6,474,217 B1 * 11/2002 Kaneko F15B 15/08
92/177
7,191,695 B2 3/2007 Sato et al.
2010/0313976 A1 * 12/2010 Vu F16L 41/03
137/594
2011/0162520 A1 * 7/2011 Ishibashi F15B 15/1404
91/508
2012/0122643 A1 * 5/2012 Gynnild B65B 61/186
493/186
2014/0133787 A1 * 5/2014 Ishibashi F16C 29/0607
384/17
2016/0153480 A1 * 6/2016 Song F15B 15/24
92/15

FOREIGN PATENT DOCUMENTS

JP 926798 S 6/1995
JP 1000616 S 1/1998
JP 1057967 S 1/2000
JP 1072983 S 6/2000
JP 1189743 S 11/2003
JP 4525155 B2 8/2010

* cited by examiner

FIG. 1

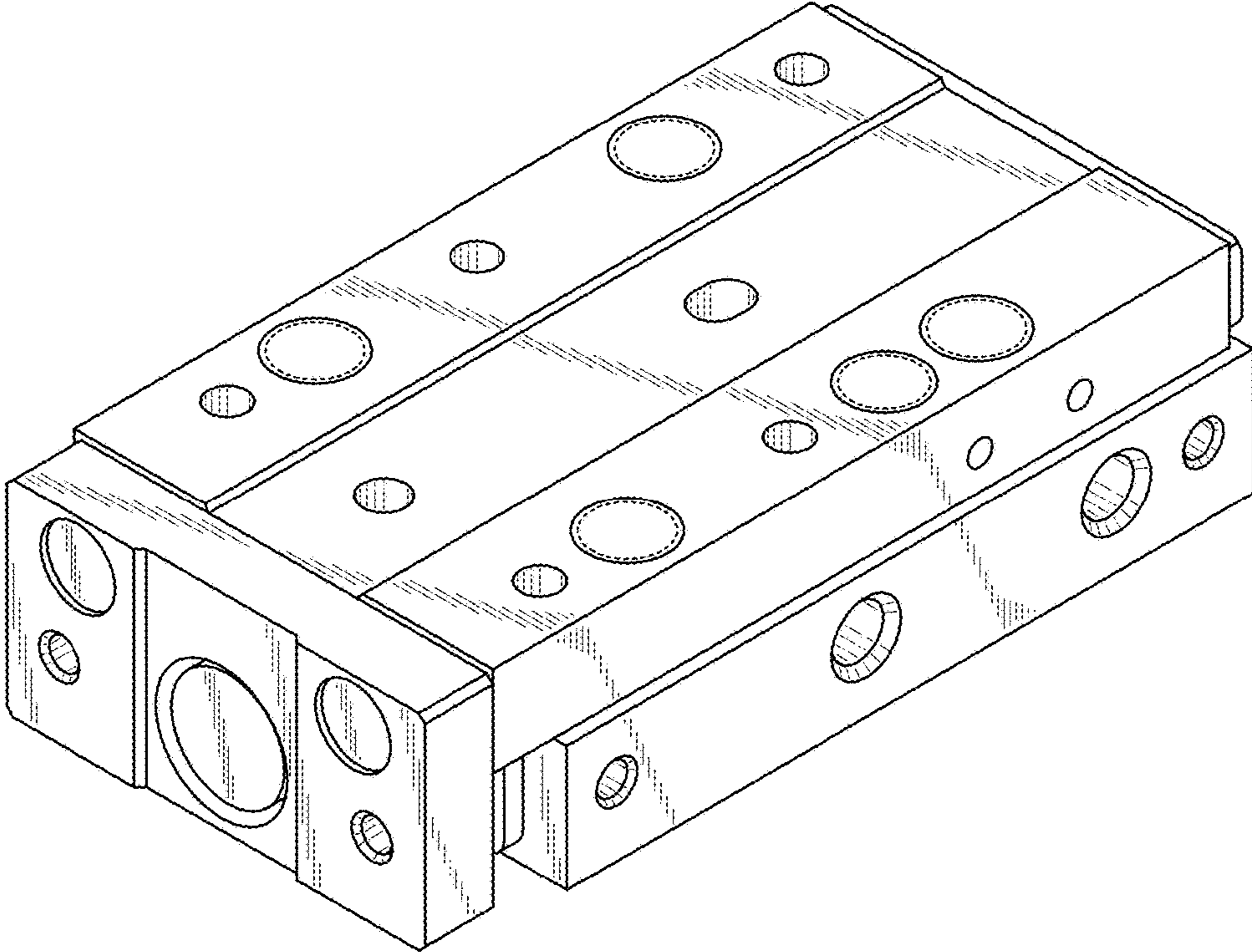


FIG. 2

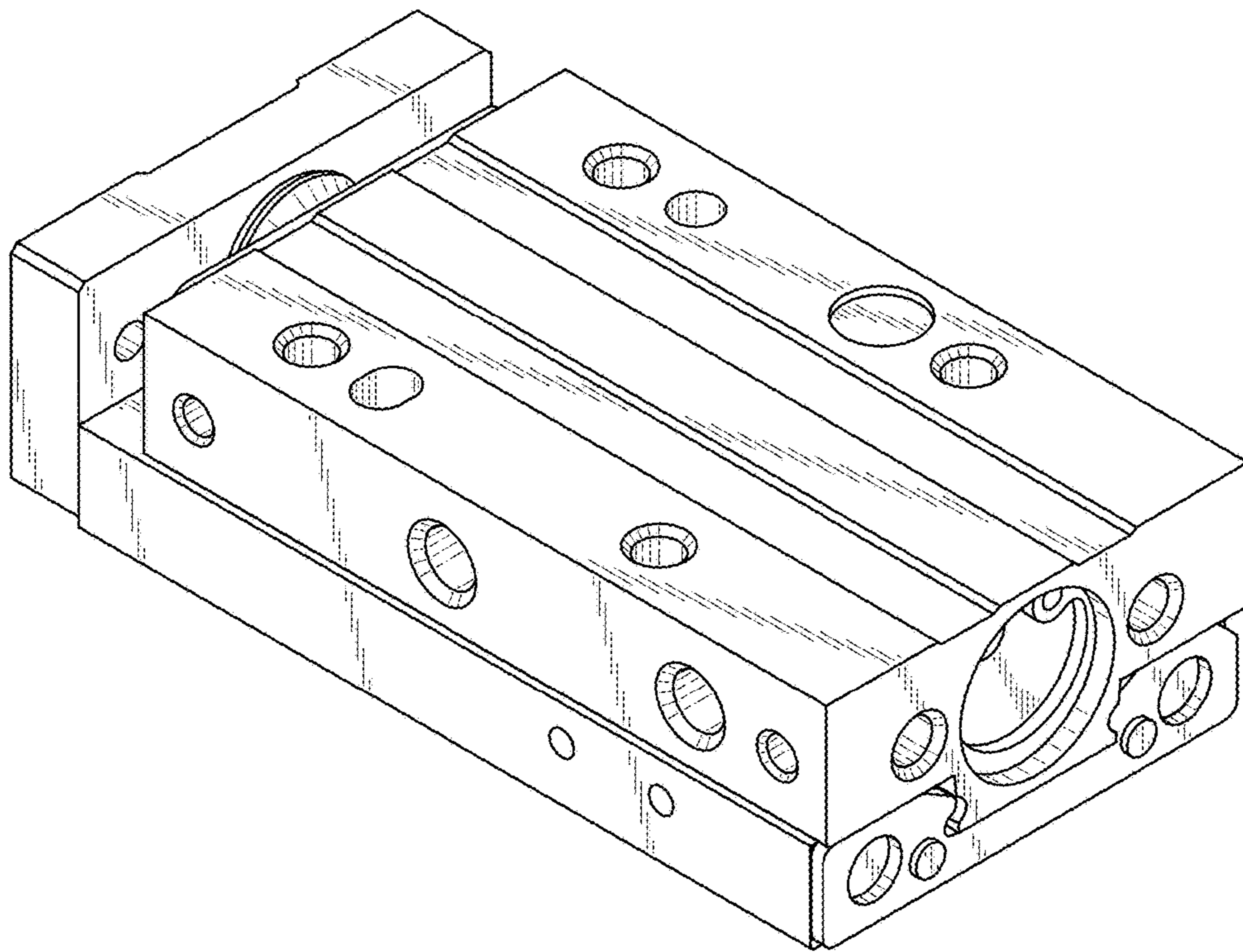


FIG. 3

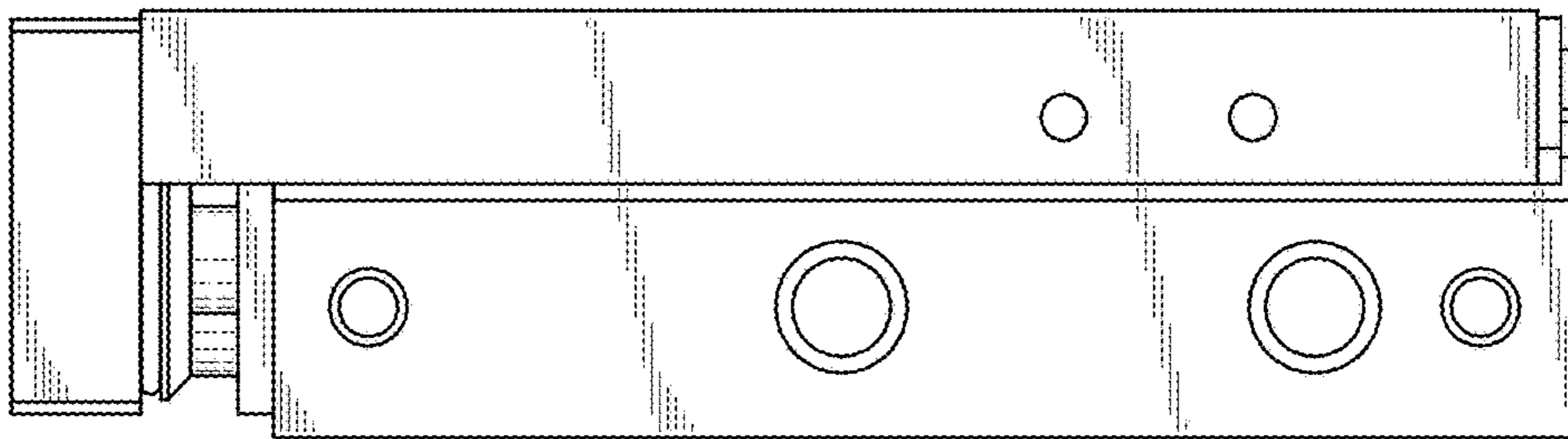


FIG. 4

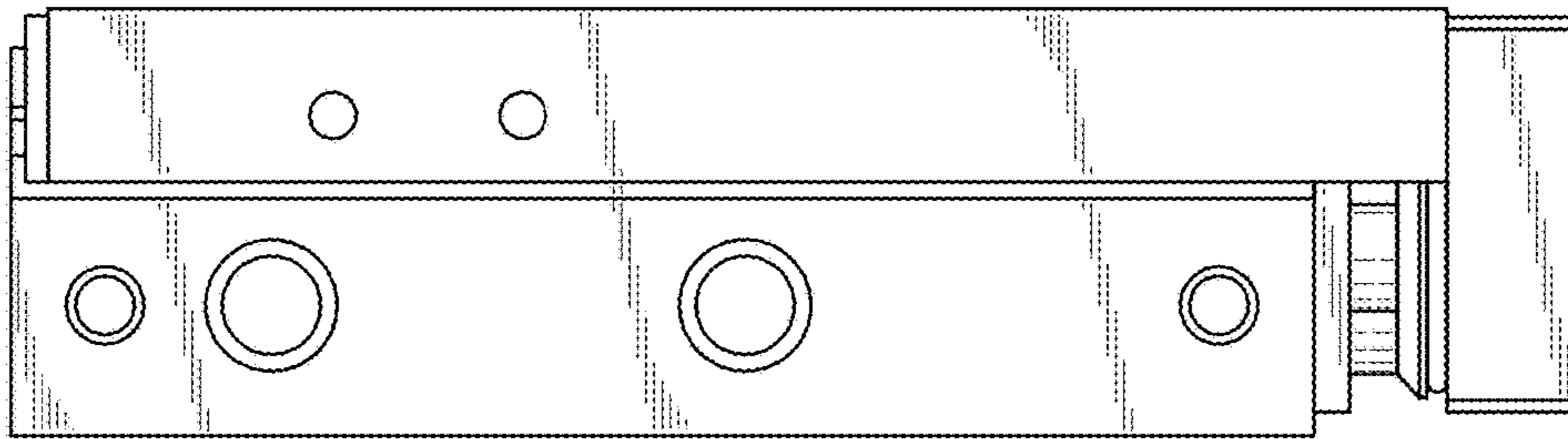


FIG. 5

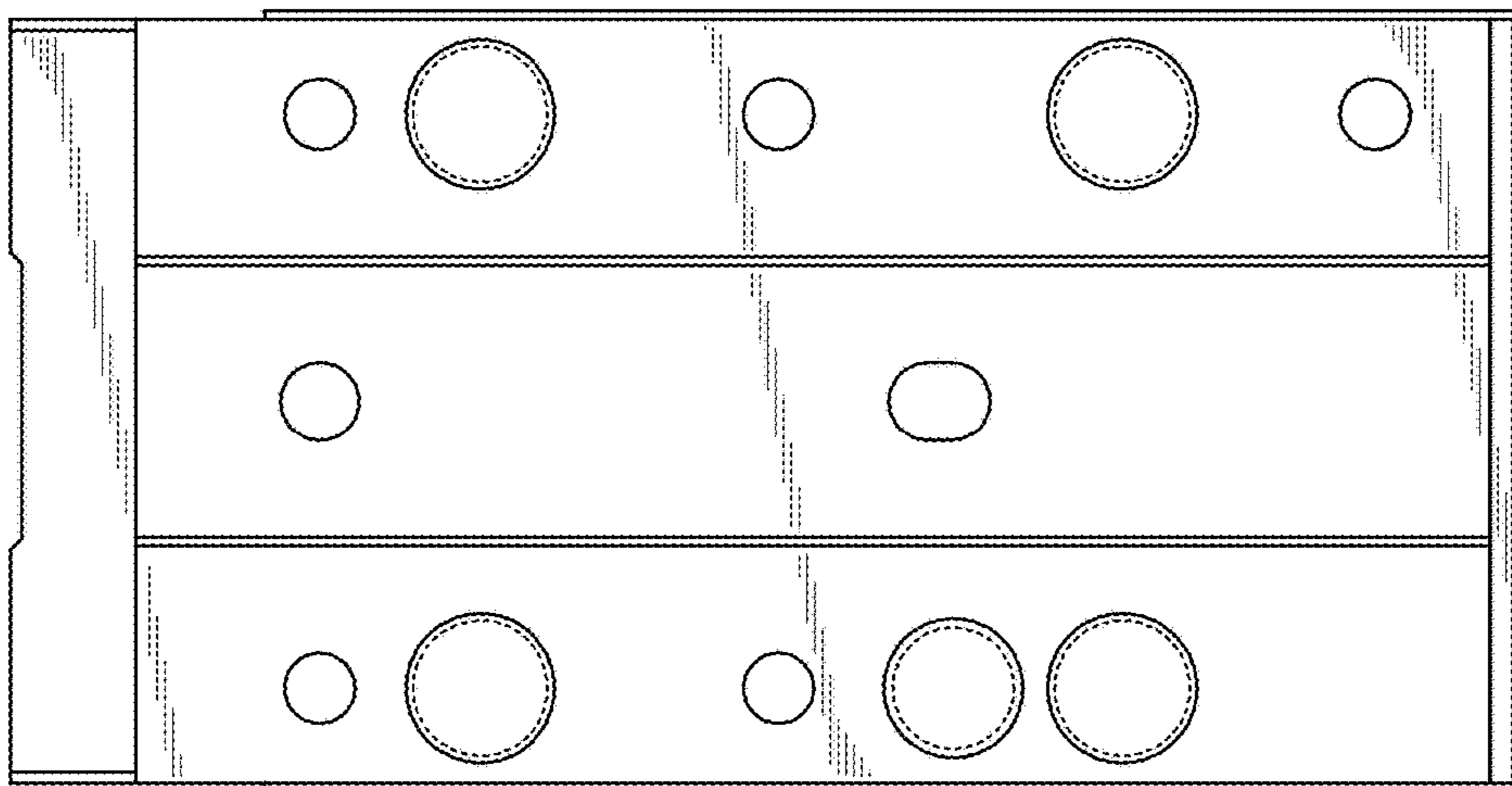


FIG. 6

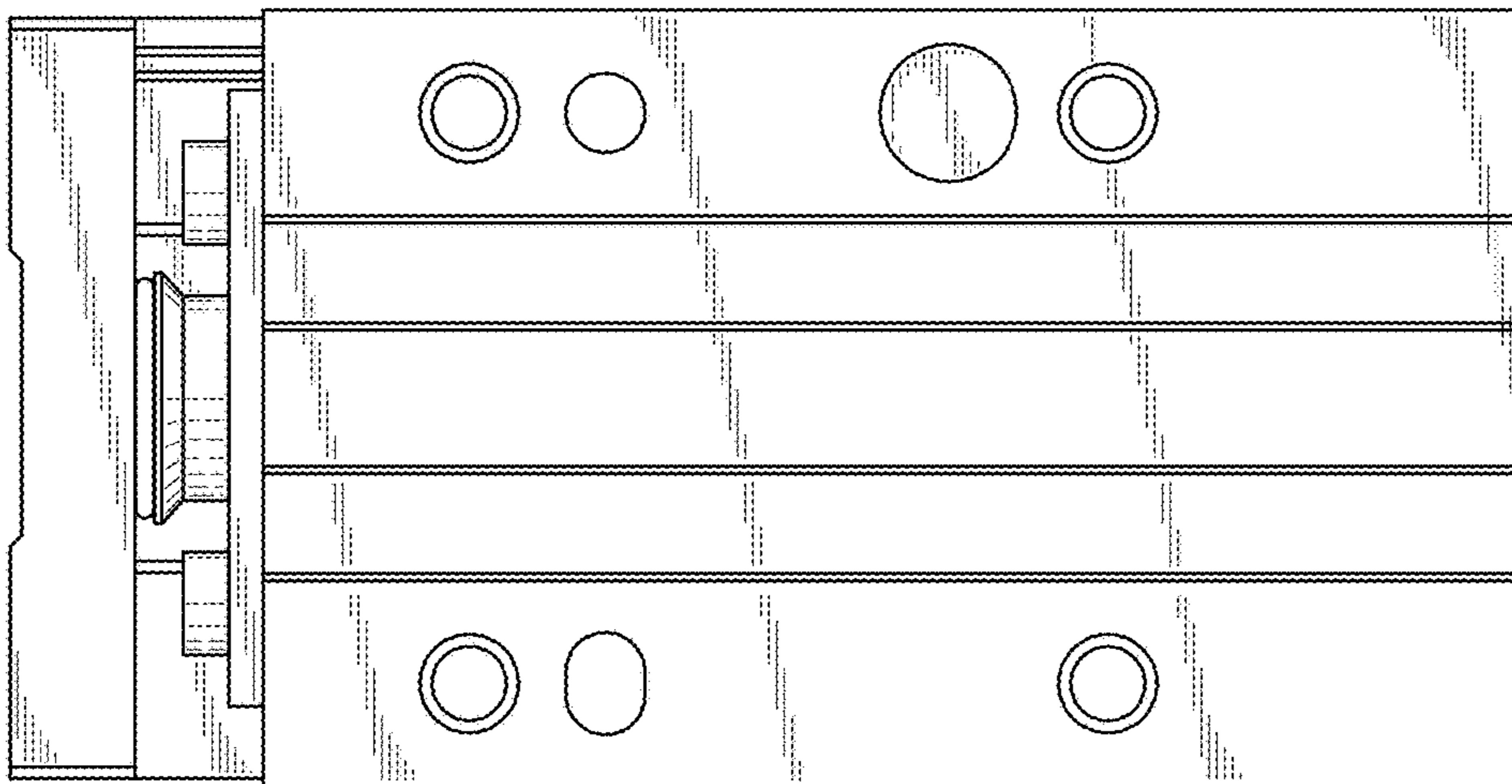


FIG. 7

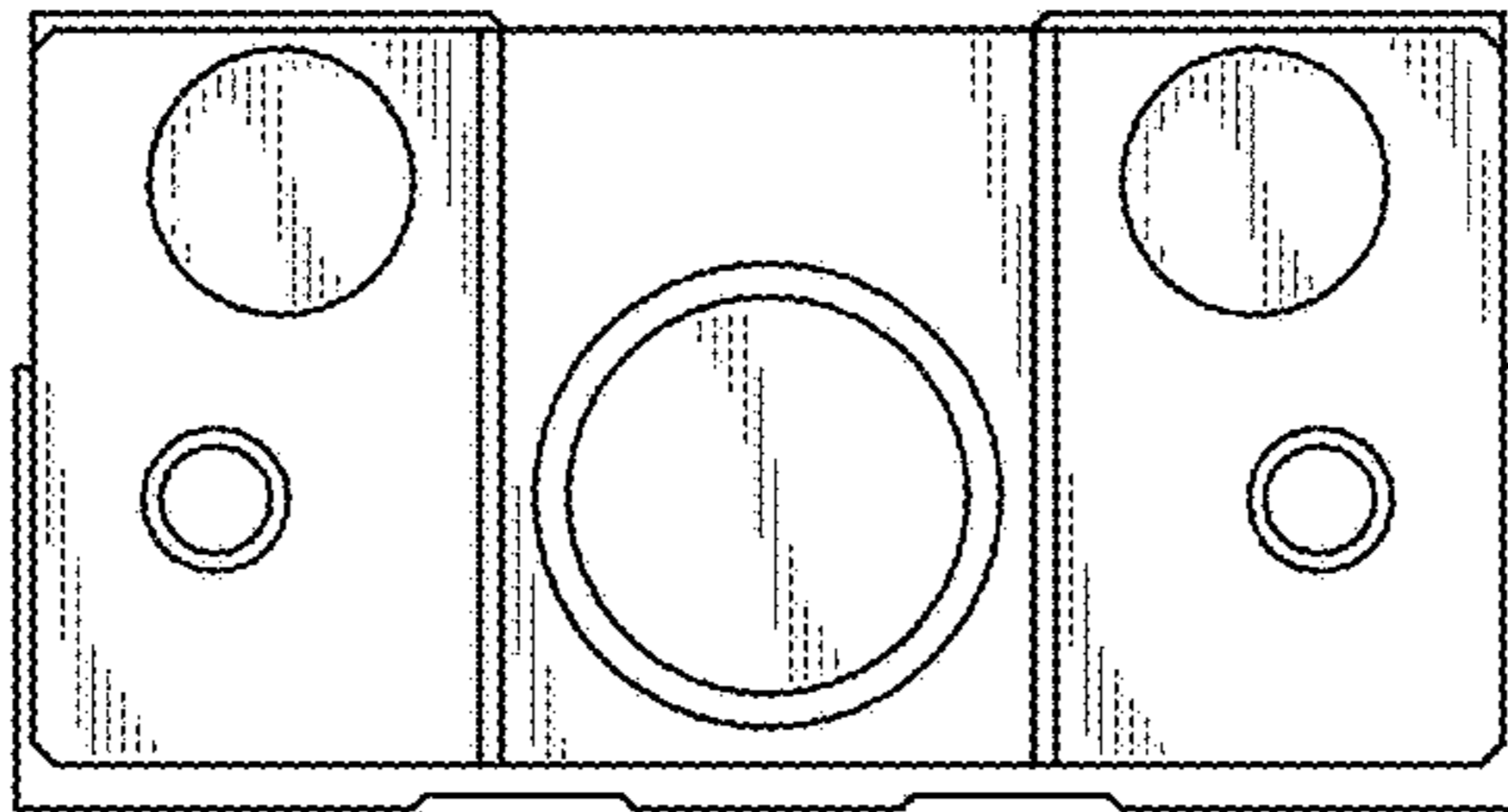


FIG. 8

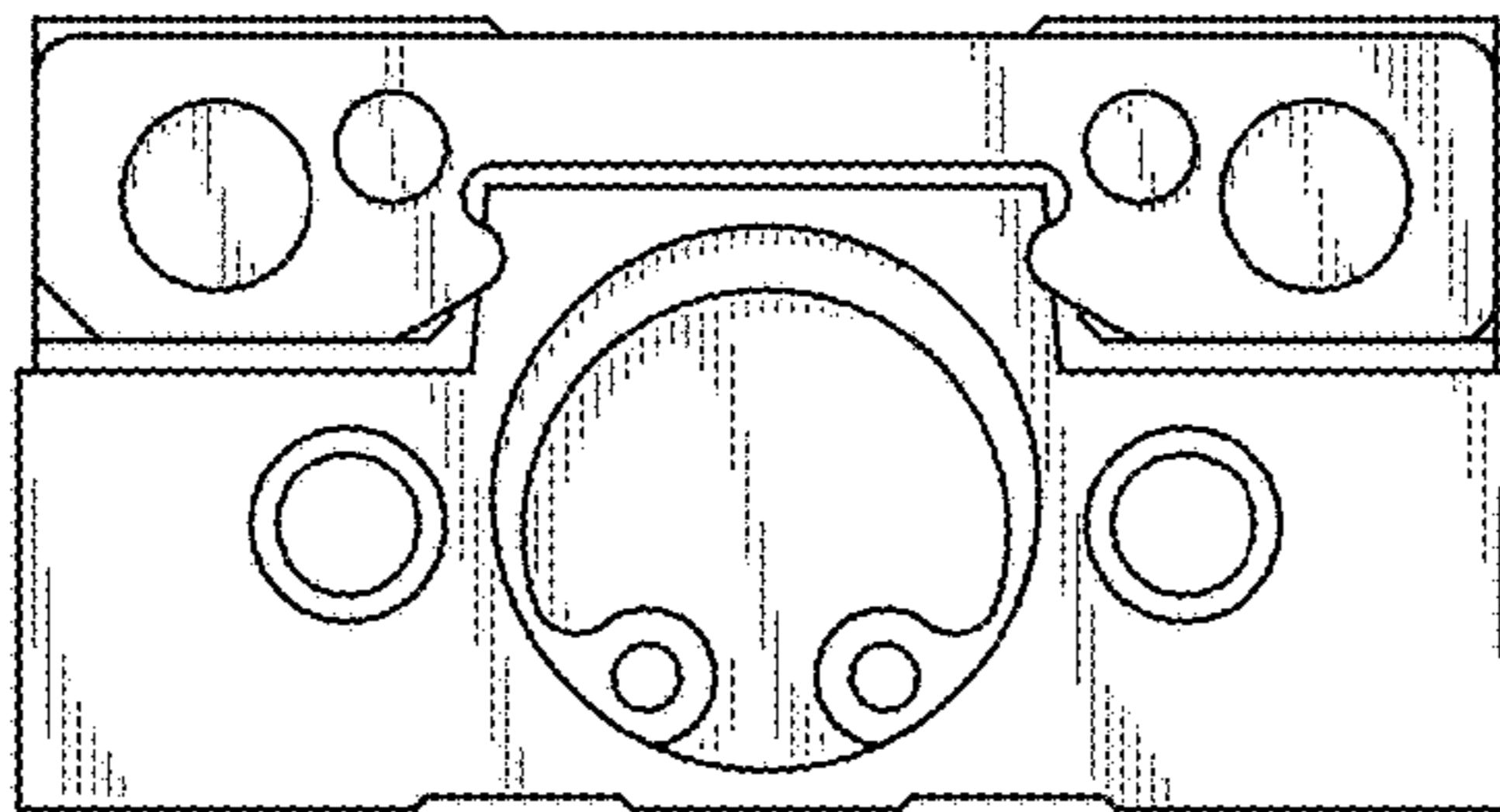


FIG. 9

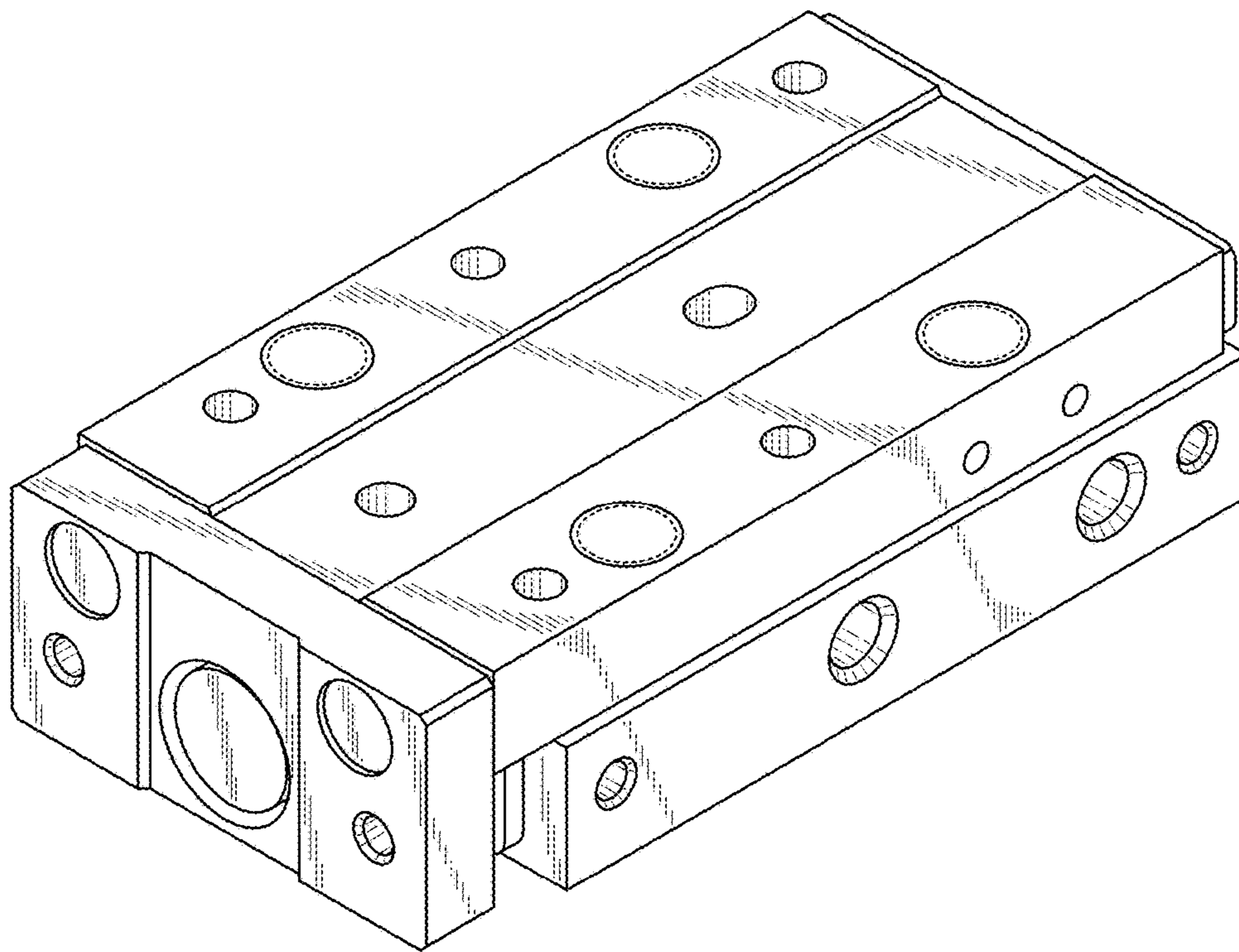


FIG. 10

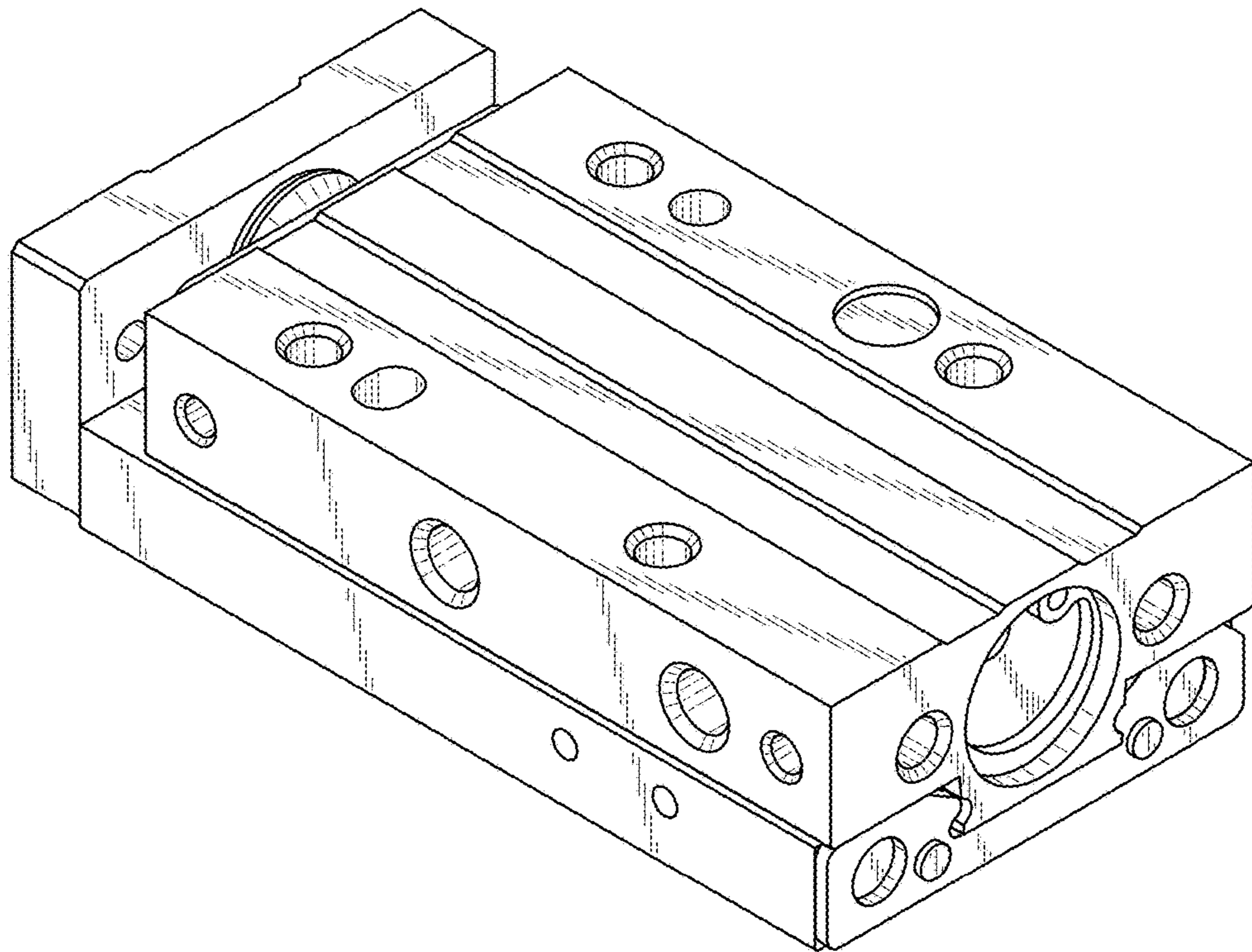


FIG. 11

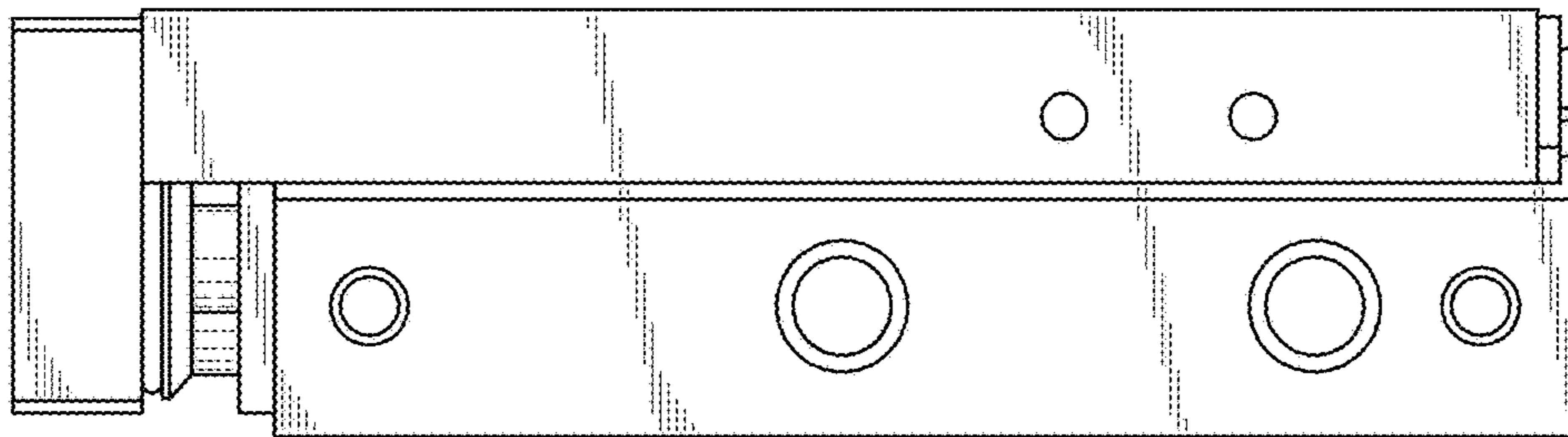


FIG. 12

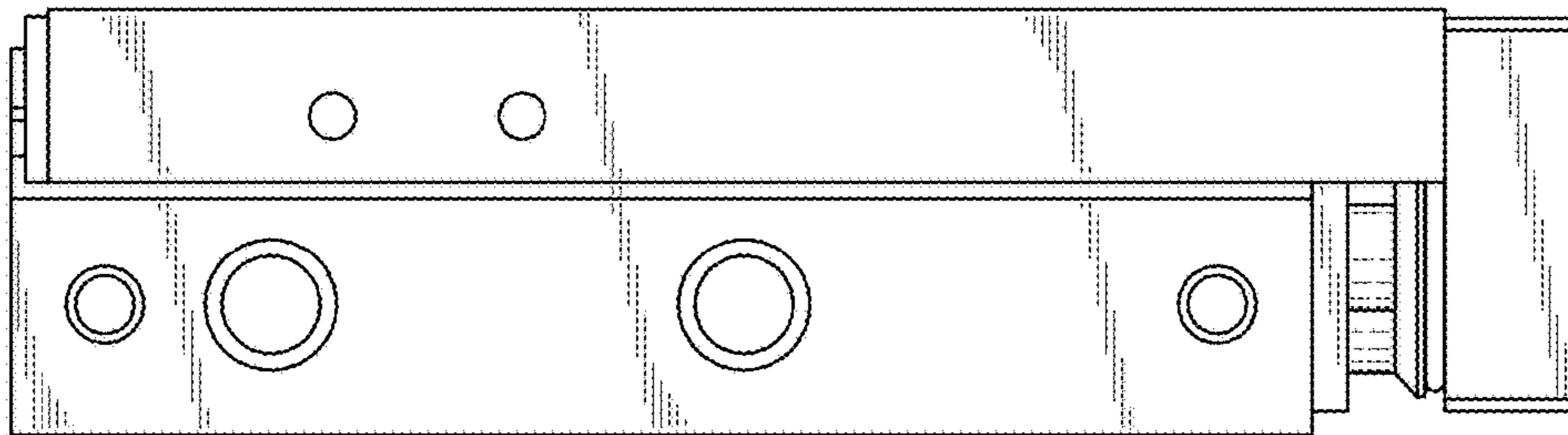


FIG. 13

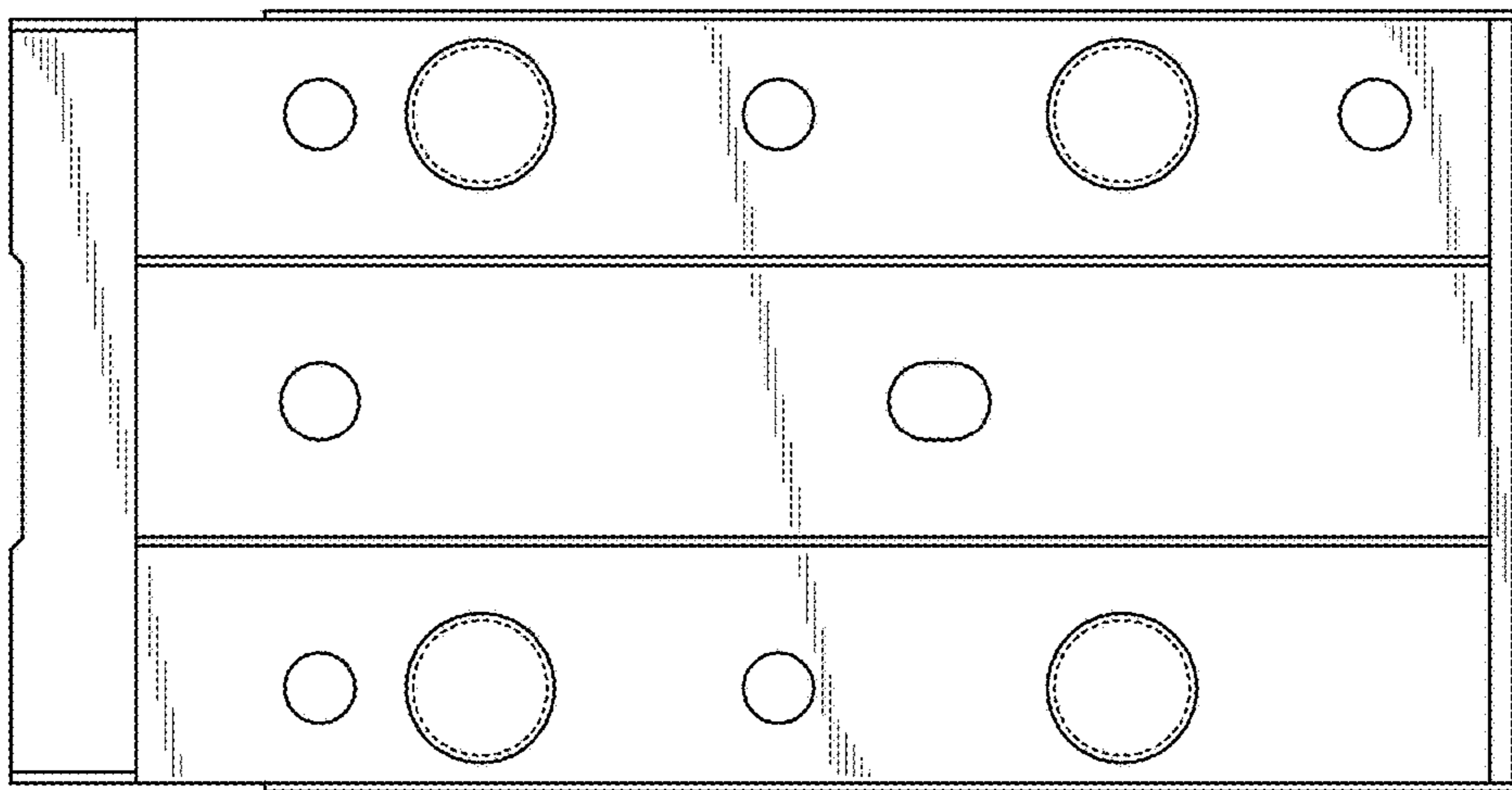


FIG. 14

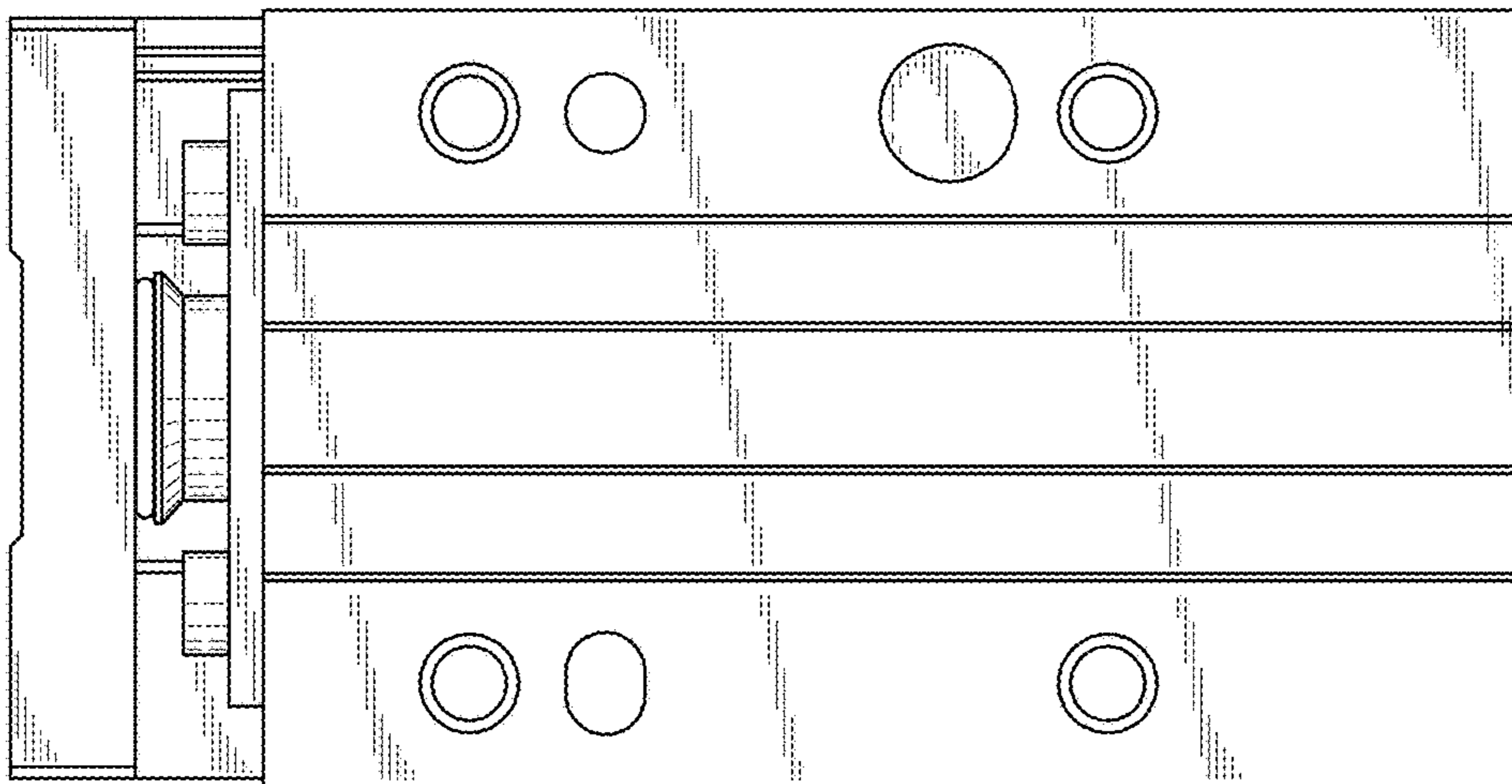


FIG. 15

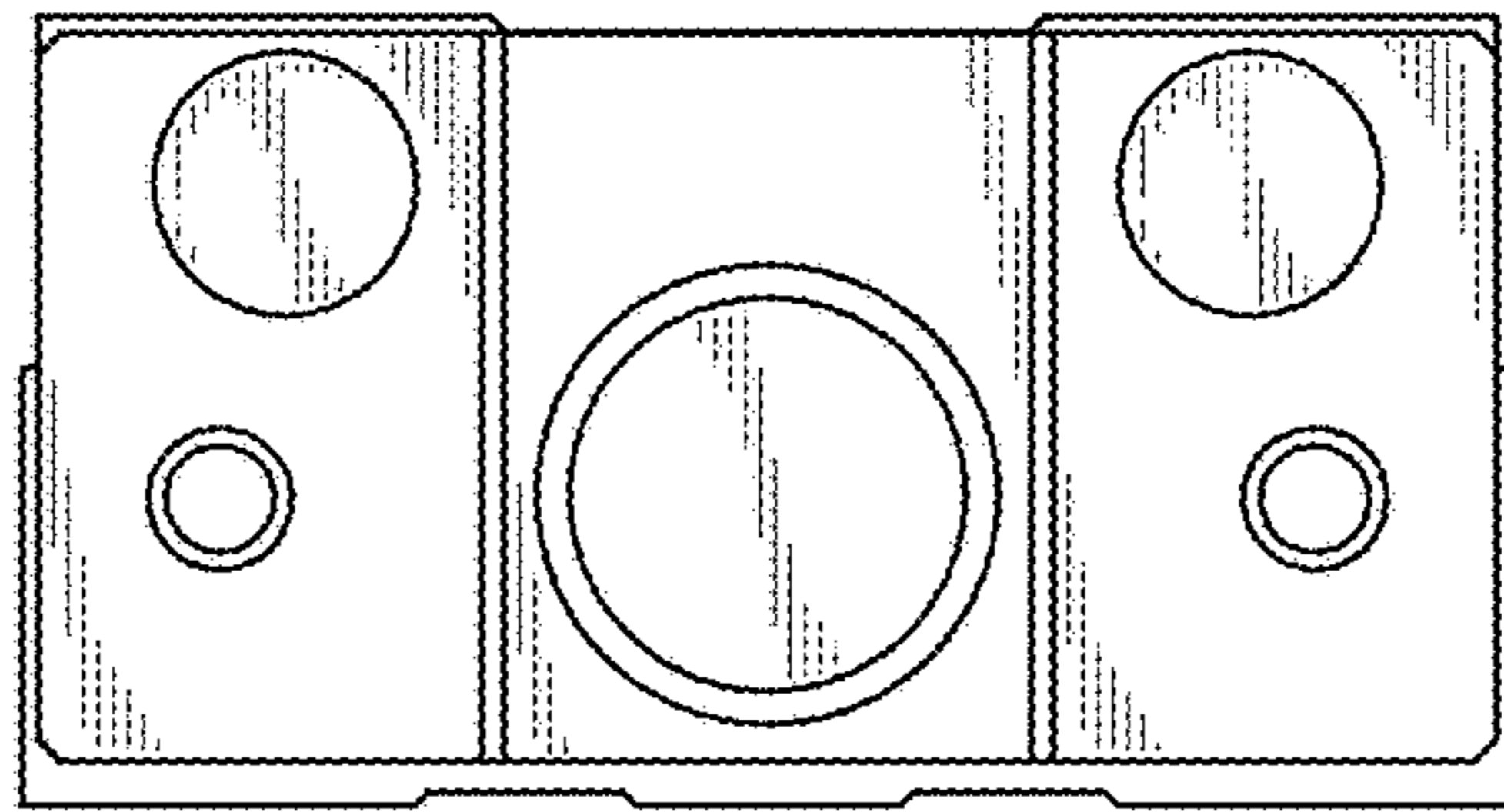


FIG. 16

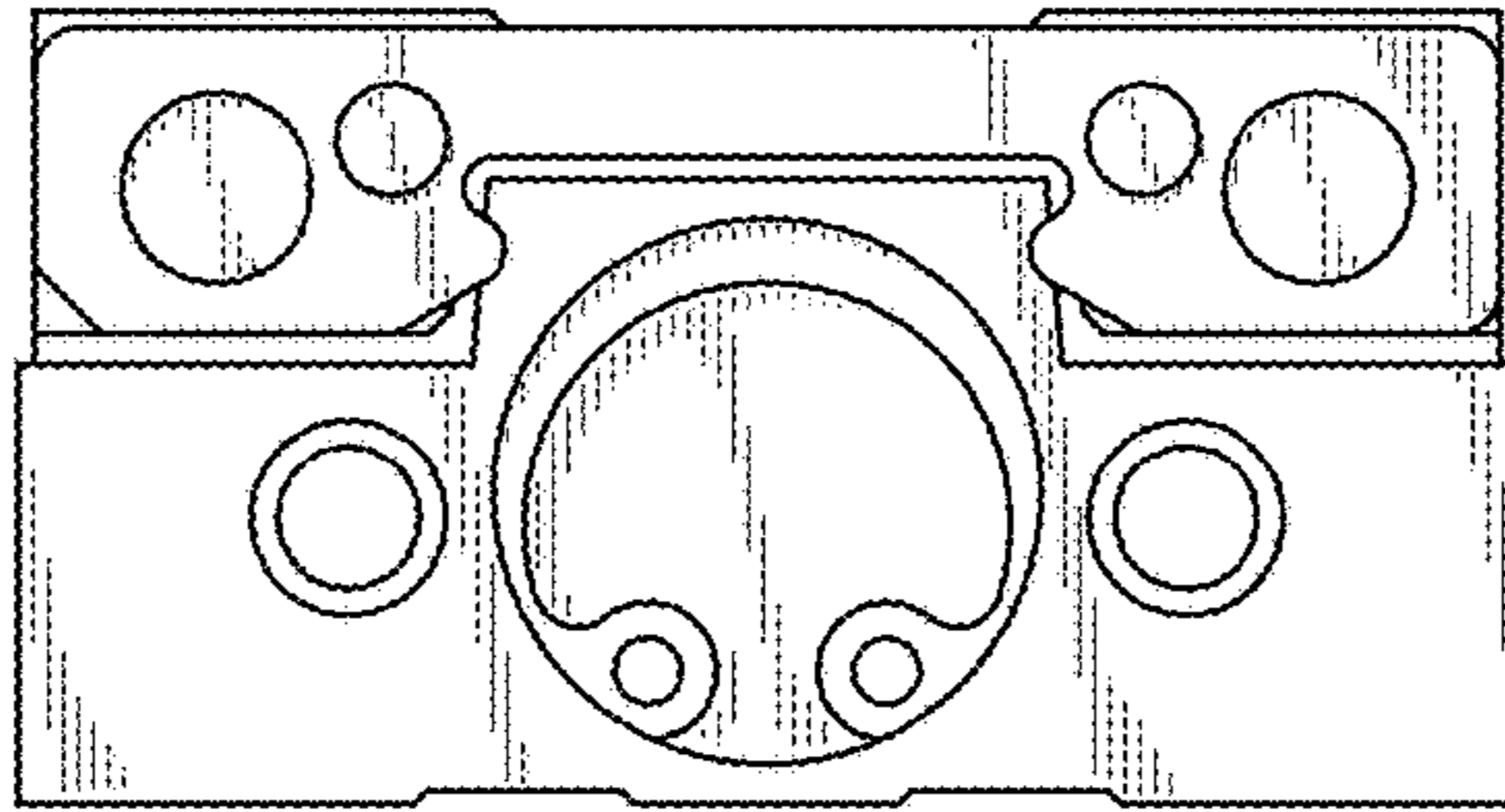


FIG. 17

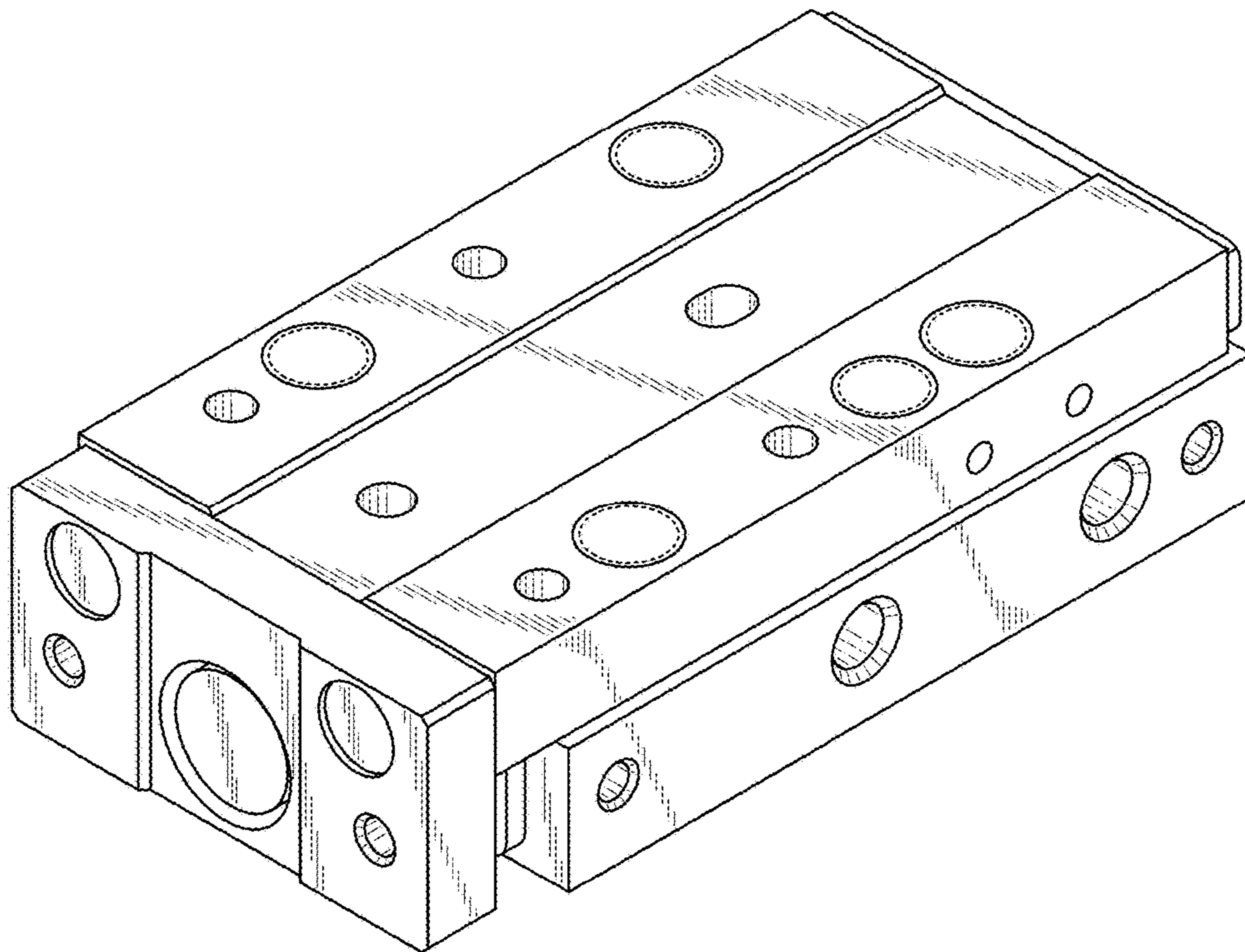


FIG. 18

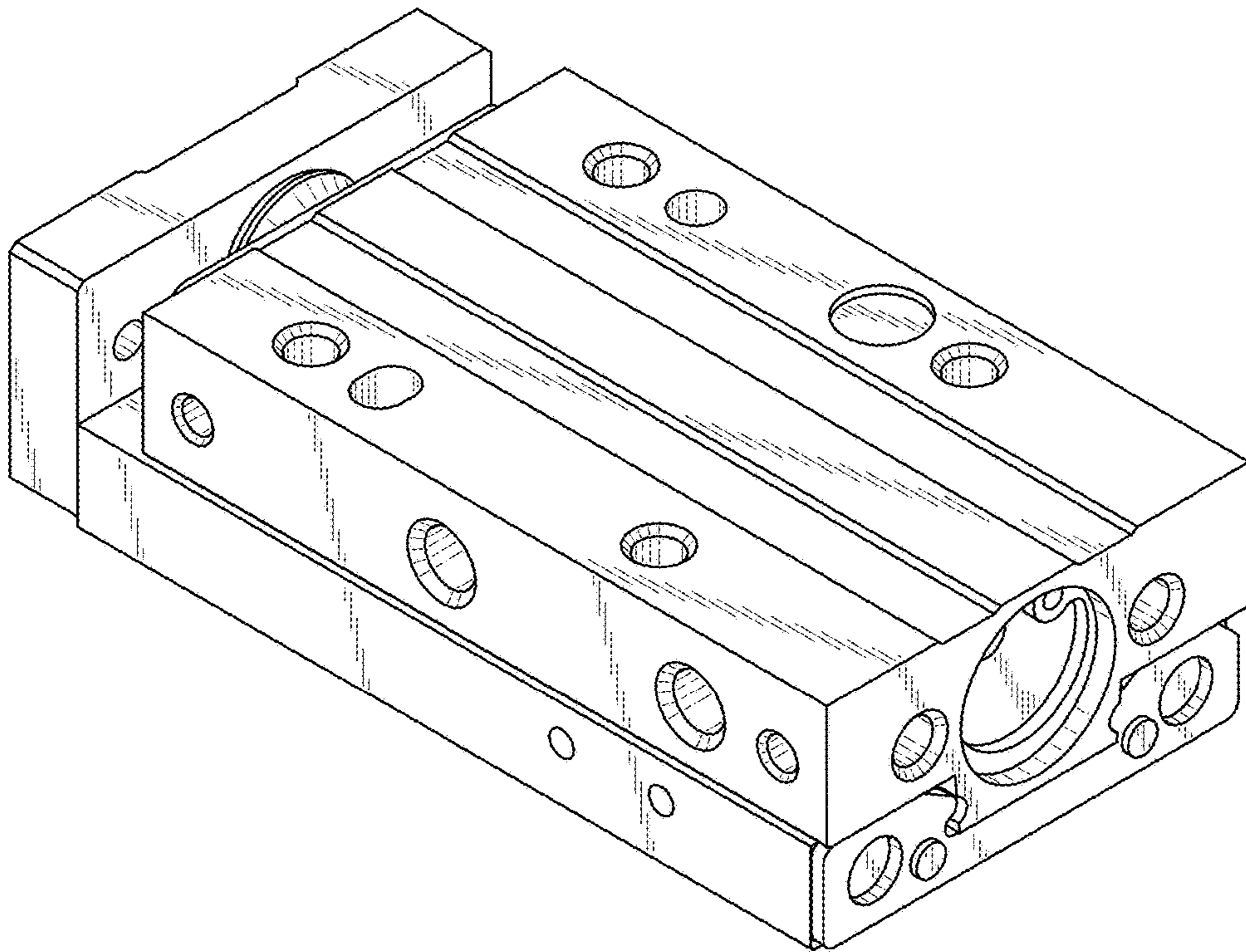


FIG. 19

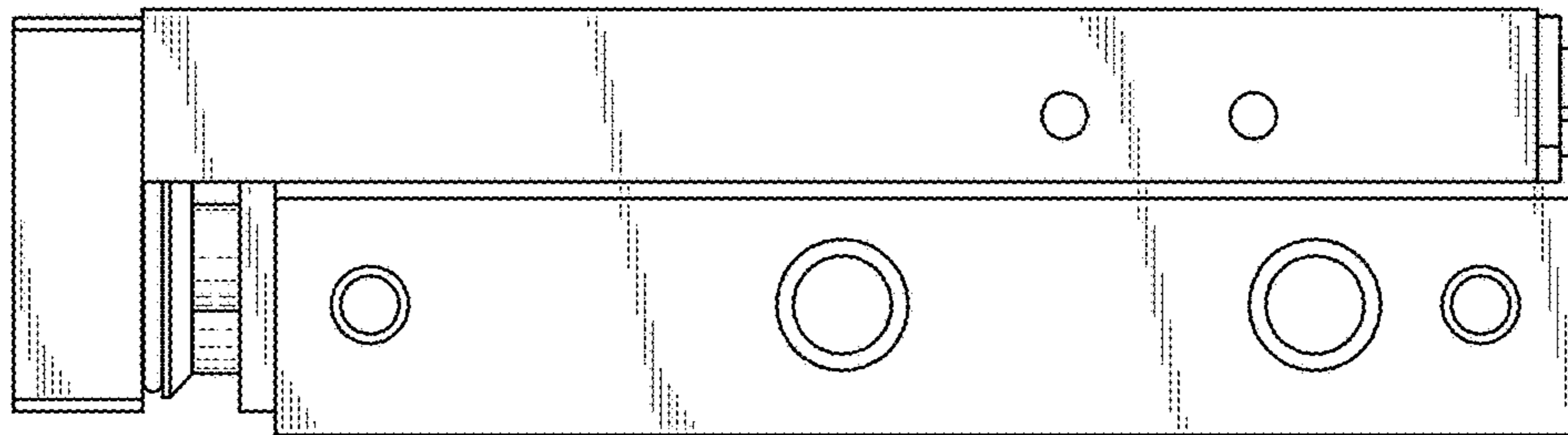


FIG. 20

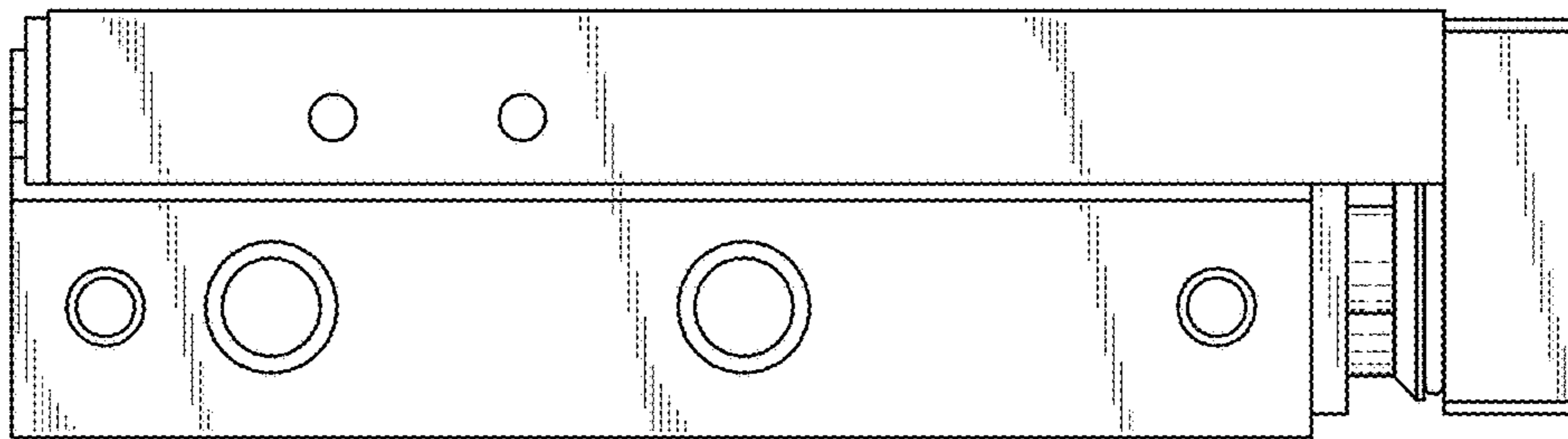


FIG. 21

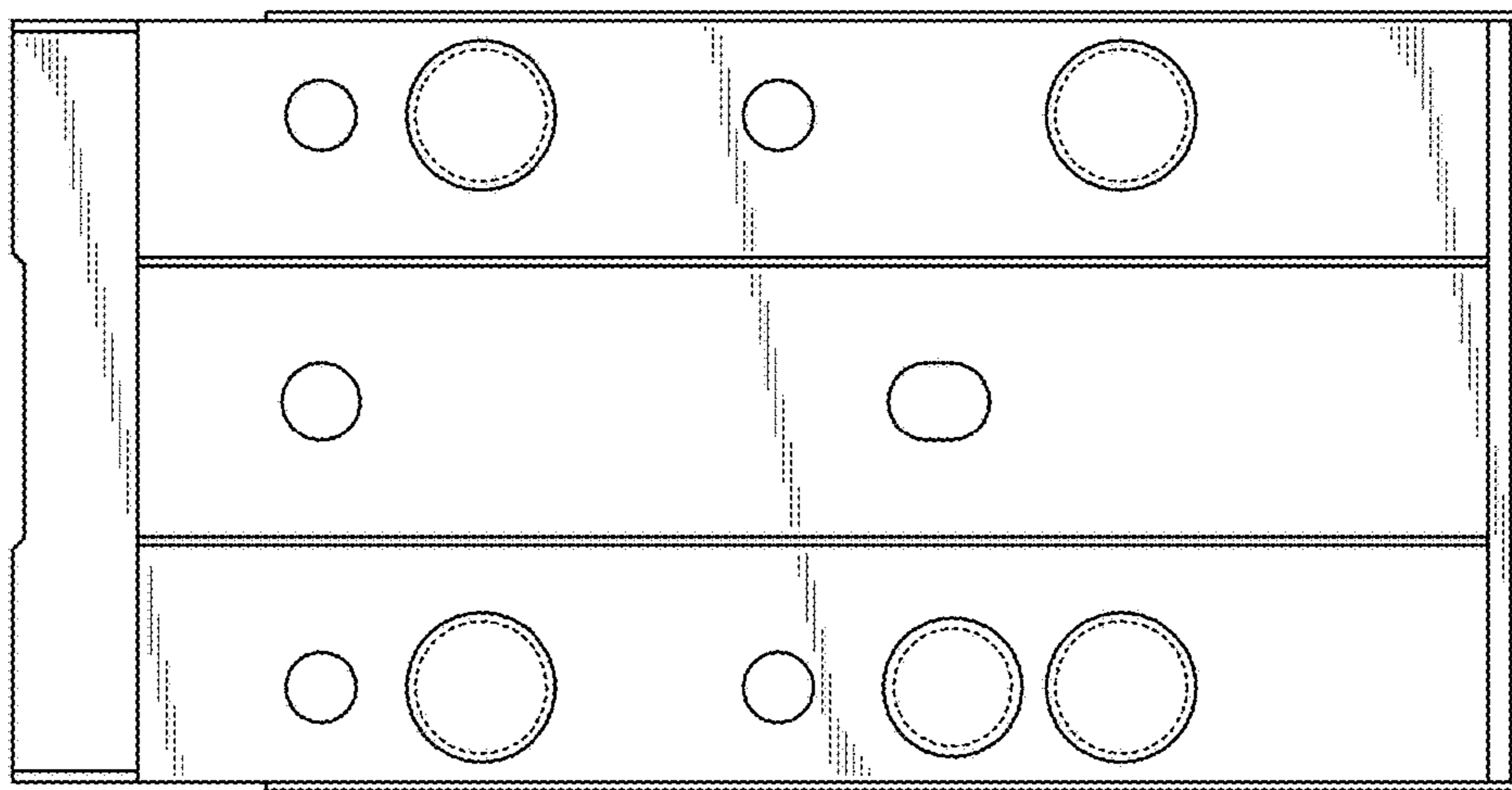


FIG. 22

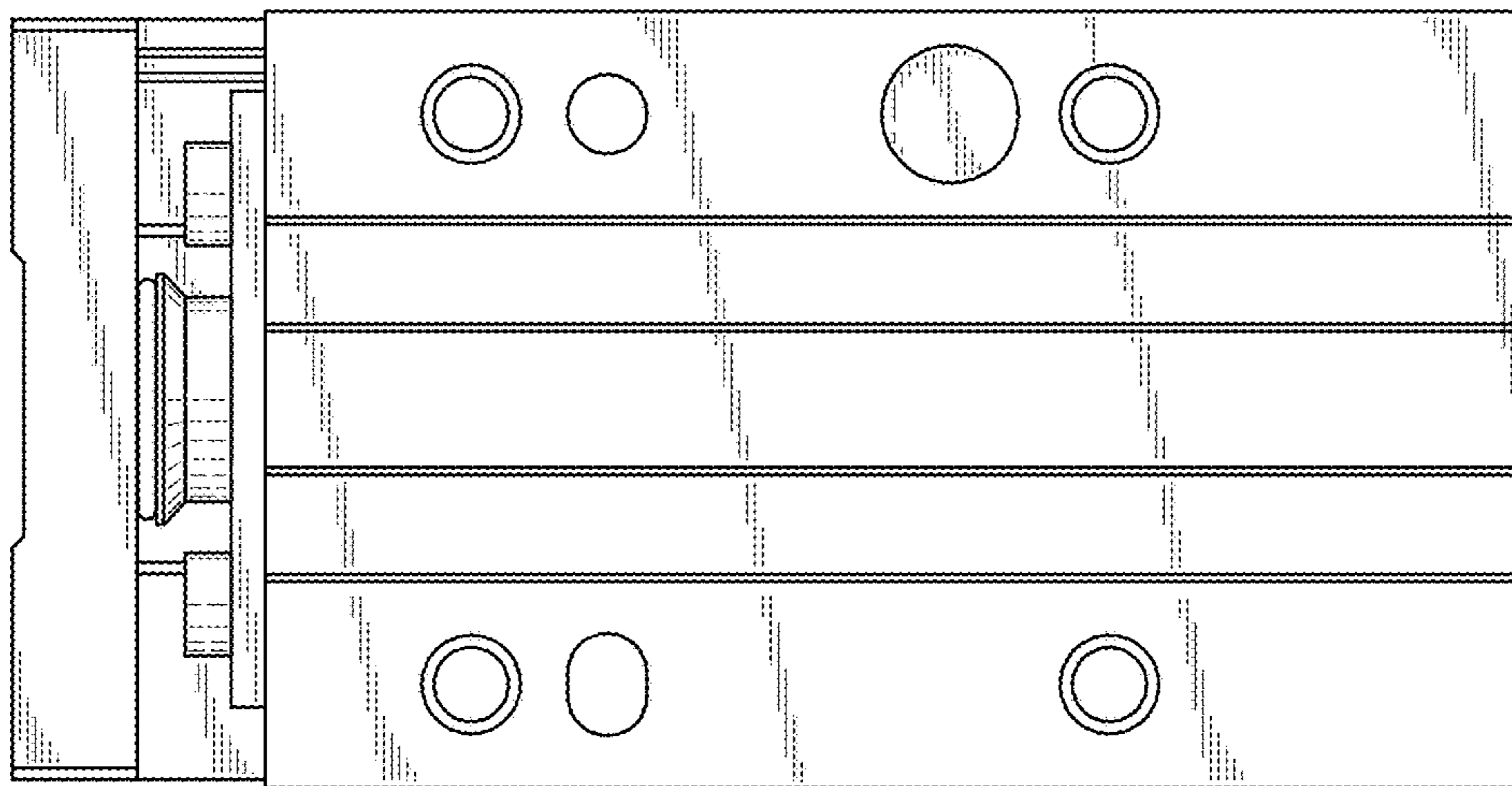


FIG. 23

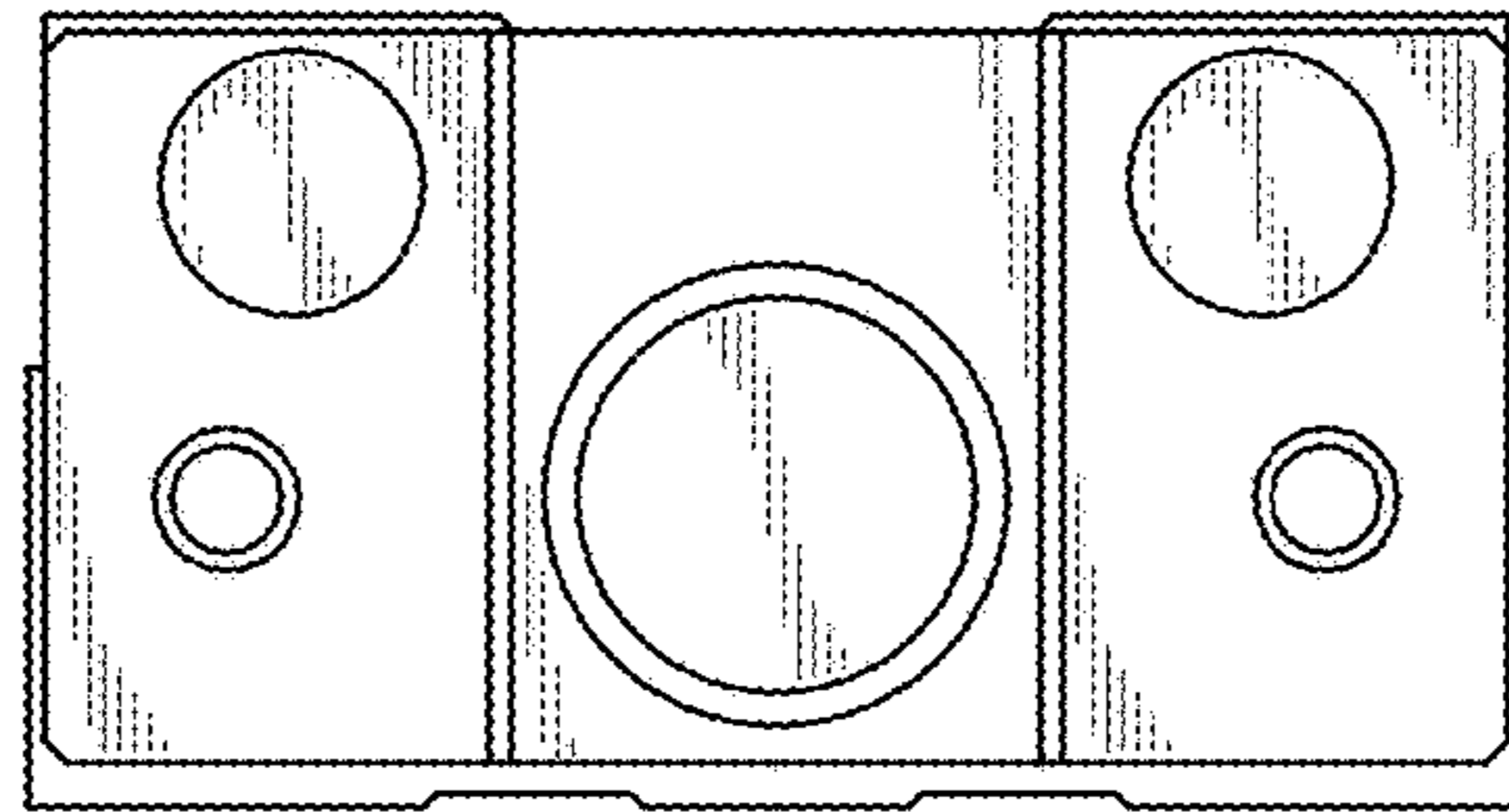


FIG. 24

