

US00D867381S

(12) **United States Design Patent** (10) **Patent No.:** **US D867,381 S**  
**Huang et al.** (45) **Date of Patent:** **\*\* \*Nov. 19, 2019**

(54) **VEHICLE DISPLAY SCREEN OR PORTION THEREOF WITH AN ANIMATED GRAPHICAL USER INTERFACE**

D643,438 S \* 8/2011 Gardner ..... D14/486  
D660,313 S \* 5/2012 Williams ..... D14/487  
D667,451 S \* 9/2012 Wujcik ..... D14/492

(Continued)

(71) Applicants: **Mindtronic AI Co., Ltd.**, Grand Cayman (KY); **Shanghai XPT Technology Limited**, Shanghai (CN)

FOREIGN PATENT DOCUMENTS

JP D1517482 2/2015

(72) Inventors: **Mu-Jen Huang**, Taipei (TW); **Ya-Li Tai**, Taoyuan (TW); **Yu-Sian Jiang**, Kaohsiung (TW); **Li-Chieh Kuo**, Taipei (TW)

OTHER PUBLICATIONS

Pan, Hong-Ming, Rectangle structure of the rectangular area expansion or contraction method Inflate, Road to university Blog (<http://eportfolio.nfu.edu.tw/user/40025146/post/18>), p. 1-2, Nov. 9, 2012.

(73) Assignees: **Mindtronic AI Co., Ltd.**, Grand Cayman (KY); **Shanghai XPT Technology Limited**, Shanghai (CN)

*Primary Examiner* — Cathron C Brooks  
*Assistant Examiner* — Andrew T Nemeth

(\*) Notice: This patent is subject to a terminal disclaimer.

(74) *Attorney, Agent, or Firm* — Winston Hsu

(\*\*) Term: **15 Years**

(57) **CLAIM**

The ornamental design for a vehicle display screen or portion thereof with an animated graphical user interface, as shown and described.

(21) Appl. No.: **29/649,400**

**DESCRIPTION**

(22) Filed: **May 30, 2018**

(51) **LOC (12) Cl.** ..... **14-04**

(52) **U.S. Cl.**  
USPC ..... **D14/486**

(58) **Field of Classification Search**  
USPC ..... D14/485-495  
CPC .. G06F 3/0482; G06F 3/04883; G06F 3/0481; G06F 3/04842; G06F 3/0488; G06F 3/04817; G06F 3/04847; G06F 3/0485; G06F 3/04886; G06F 3/0484; G06F 9/451; G06F 3/04845; G06F 3/0486; G07F 17/32; G07F 17/3244  
See application file for complete search history.

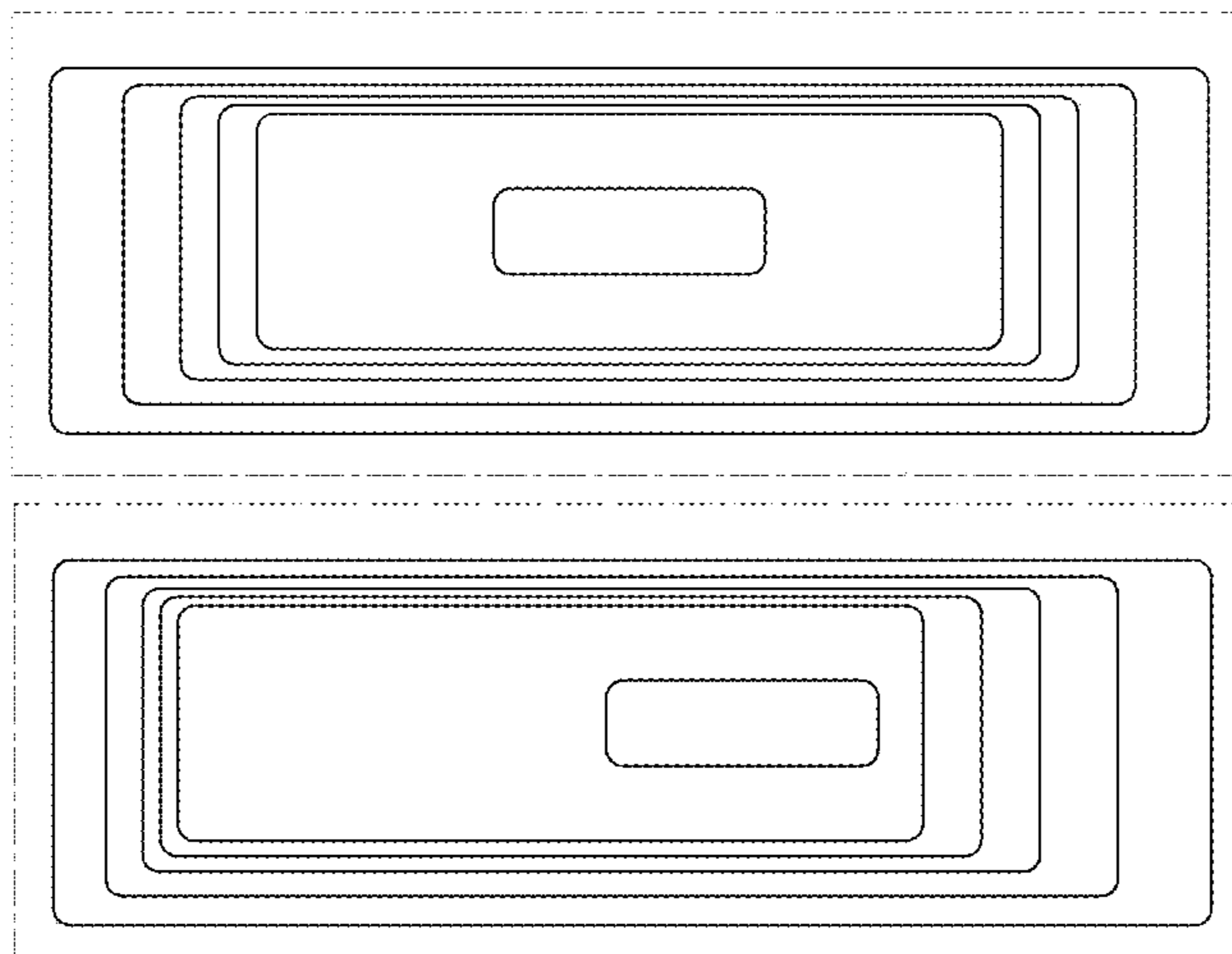
FIG. 1 is a front view of a first image in a sequence for a first embodiment of a vehicle display screen or portion thereof with an animated graphical user interface; FIG. 2 is a front view of a second image thereof; FIG. 3 is a front view of a third image thereof; FIG. 4 is a front view of a first image in a sequence for a second embodiment of a vehicle display screen or portion thereof with an animated graphical user interface; FIG. 5 is a front view of a second image thereof; and, FIG. 6 is a front view of a third image thereof. The appearance of the animated graphical user interface sequentially transitions between the images shown in FIGS. 1-3, and in FIGS. 4-6. The process or period in which an image transitions to another forms no part of the claimed design. The broken lines showing a display screen or portion thereof, forms no part of the claimed design.

(56) **References Cited**

U.S. PATENT DOCUMENTS

D621,849 S \* 8/2010 Anzures ..... D14/486  
D641,372 S \* 7/2011 Gardner ..... D14/486

**1 Claim, 6 Drawing Sheets**



(56)

**References Cited**

## U.S. PATENT DOCUMENTS

D676,868	S	*	2/2013	Wagner	.....	D14/489
D677,275	S	*	3/2013	Wujcik	.....	D14/487
D696,263	S	*	12/2013	Ray	.....	D14/485
D704,220	S	*	5/2014	Lim	.....	D14/492
D711,895	S	*	8/2014	Inose	.....	D14/485
D726,214	S	*	4/2015	Wantland	.....	D14/487
D727,960	S	*	4/2015	Chaudhri	.....	D14/489
D738,913	S	*	9/2015	Cabrera-Cordon	.....	D14/491
D753,676	S	*	4/2016	Oh	.....	D14/485
D759,091	S	*	6/2016	Paolantonio	.....	D14/488
D763,864	S	*	8/2016	Lu	.....	D14/485
D763,869	S	*	8/2016	Wang	.....	D14/485
D764,520	S	*	8/2016	Lee	.....	D14/488
D765,705	S	*	9/2016	Jewitt	.....	D14/486
D769,891	S	*	10/2016	Cho	.....	D14/485
D773,480	S	*	12/2016	Zhou	.....	D14/485
D773,502	S	*	12/2016	Park	.....	D14/486
D784,397	S	*	4/2017	Kim	.....	D14/487
D791,786	S	*	7/2017	Chaudhri	.....	D14/485
D797,798	S	*	9/2017	Sato	.....	D14/491
D801,996	S	*	11/2017	Yang	.....	D14/486
D825,608	S	*	8/2018	Andrizzi	.....	D14/487
D825,609	S	*	8/2018	Andrizzi	.....	D14/487
D826,240	S	*	8/2018	Andrizzi	.....	D14/485
D826,255	S	*	8/2018	Andrizzi	.....	D14/487
D829,764	S	*	10/2018	Clapper	.....	D14/489
D839,878	S	*	2/2019	Ishii	.....	D14/485
D842,896	S	*	3/2019	Williams	.....	D14/489
D856,359	S	*	8/2019	Huang	.....	D14/486
D856,360	S	*	8/2019	Huang	.....	D14/486

\* cited by examiner

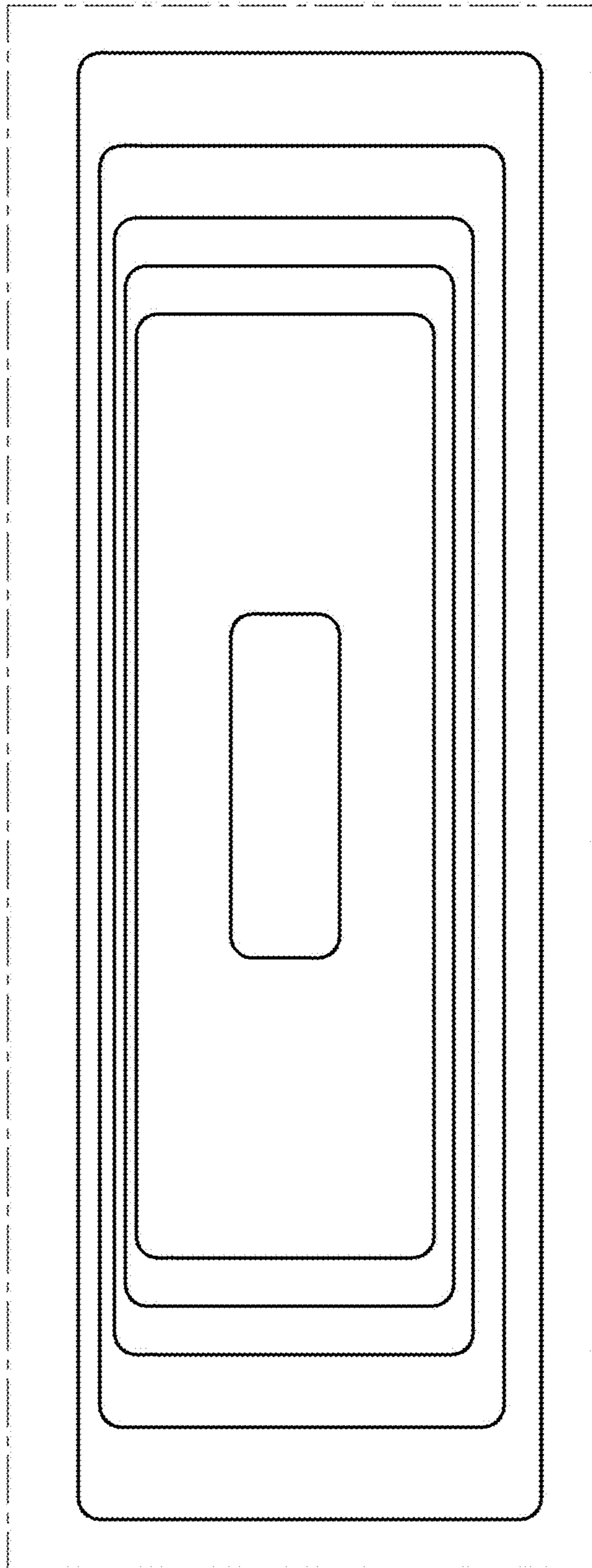


FIG. 1

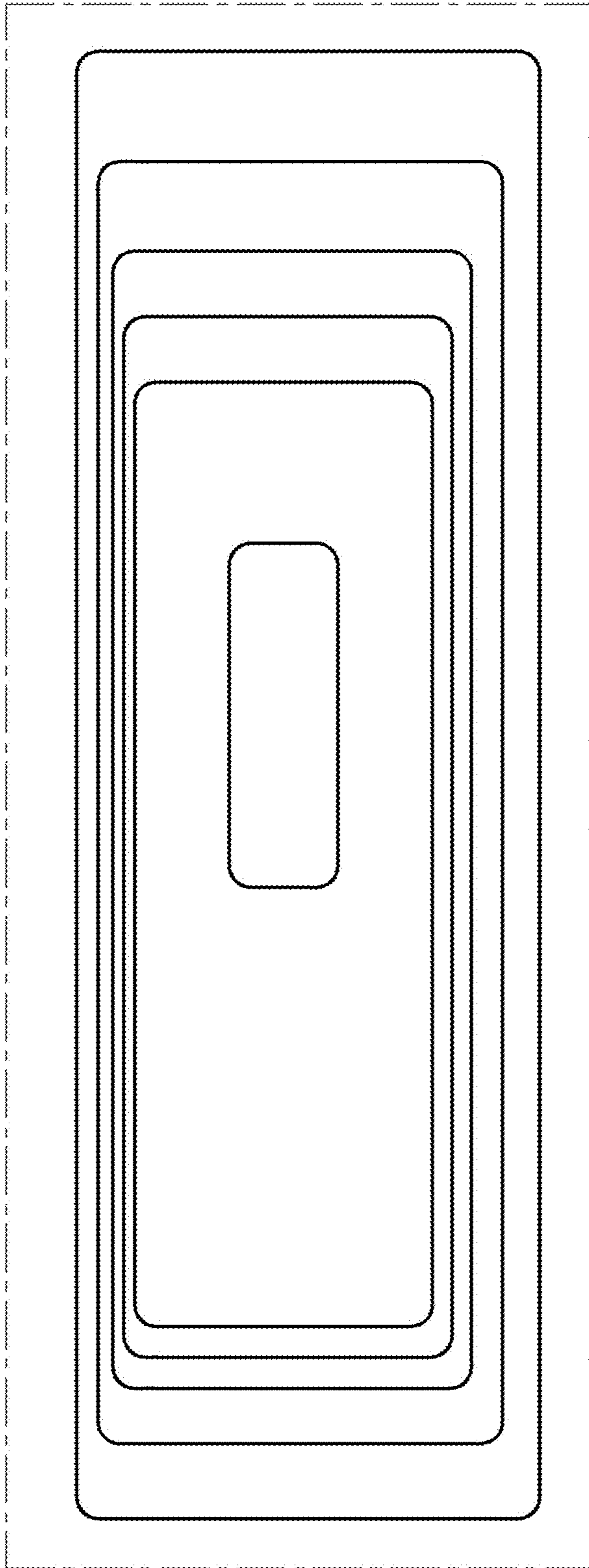


FIG. 2

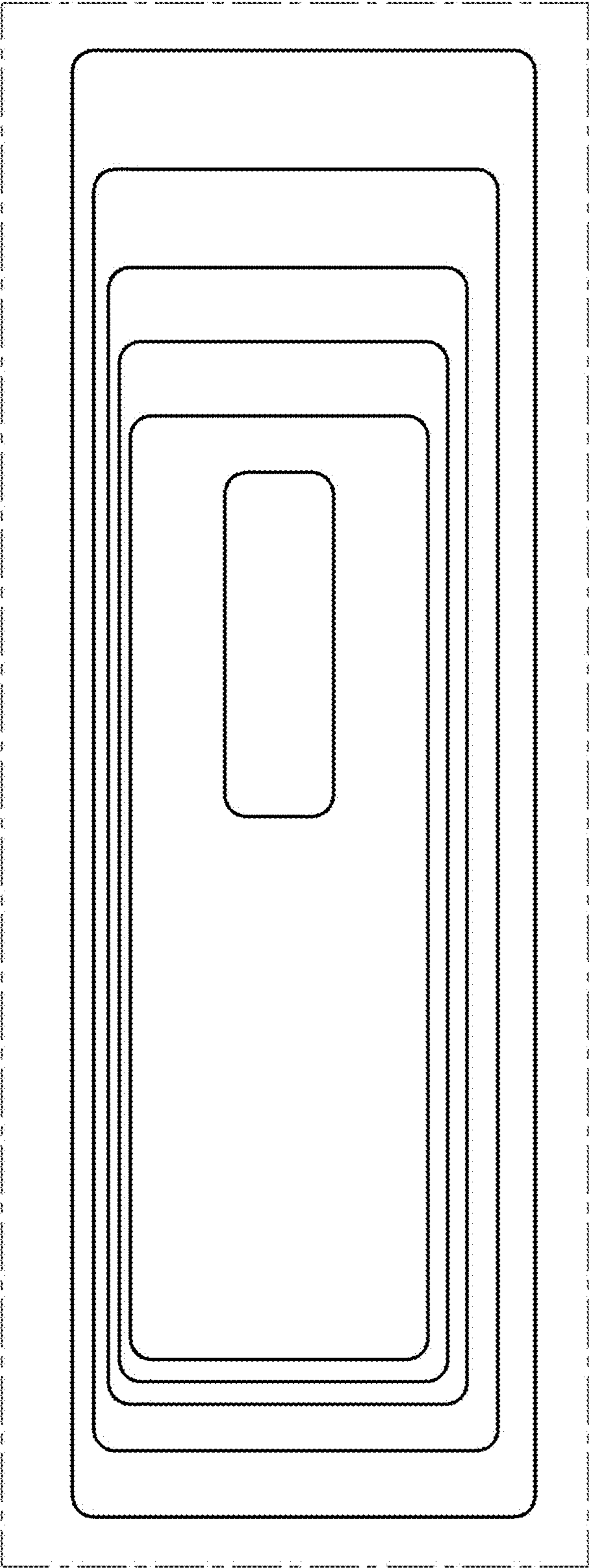


FIG. 3

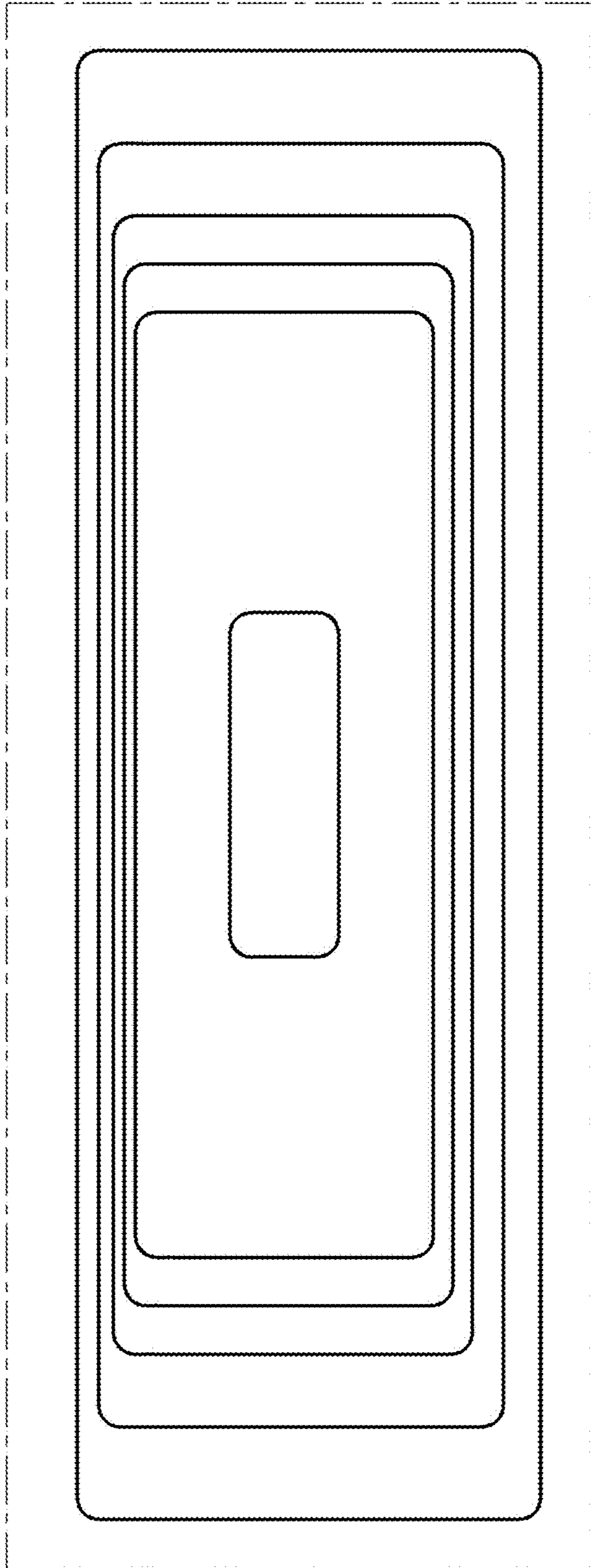


FIG. 4

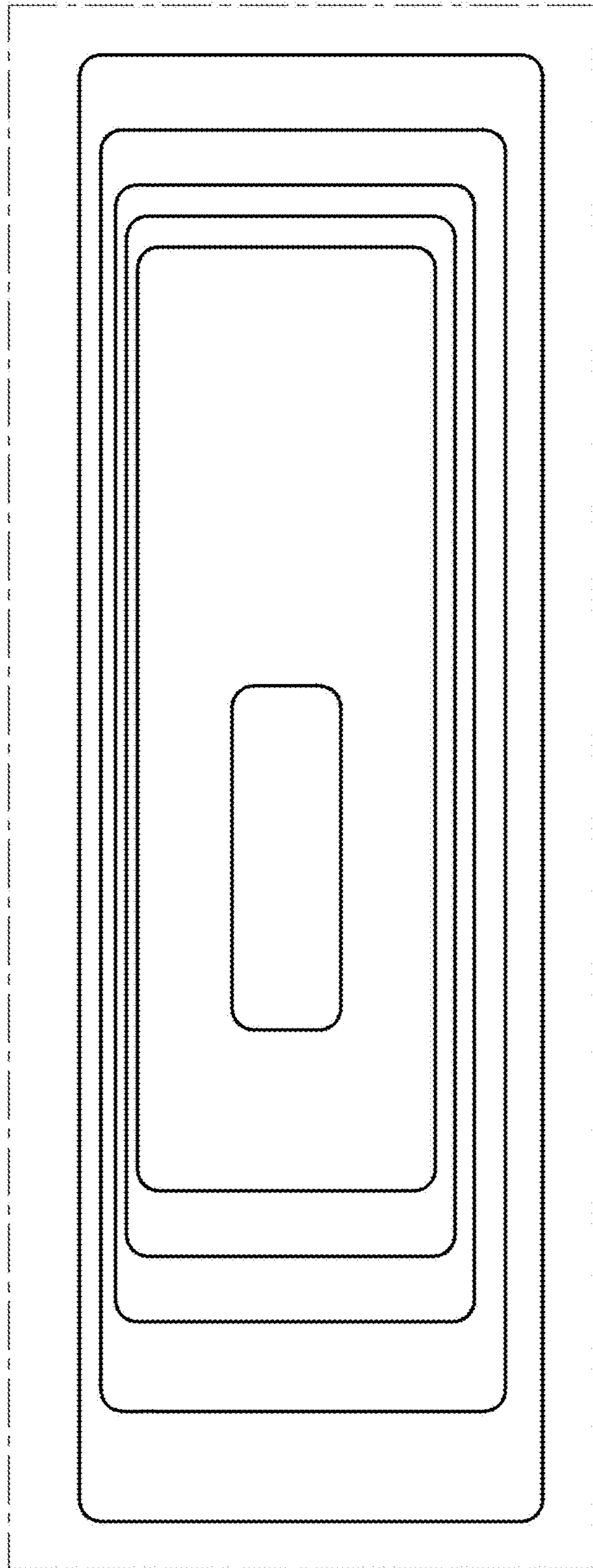


FIG. 5

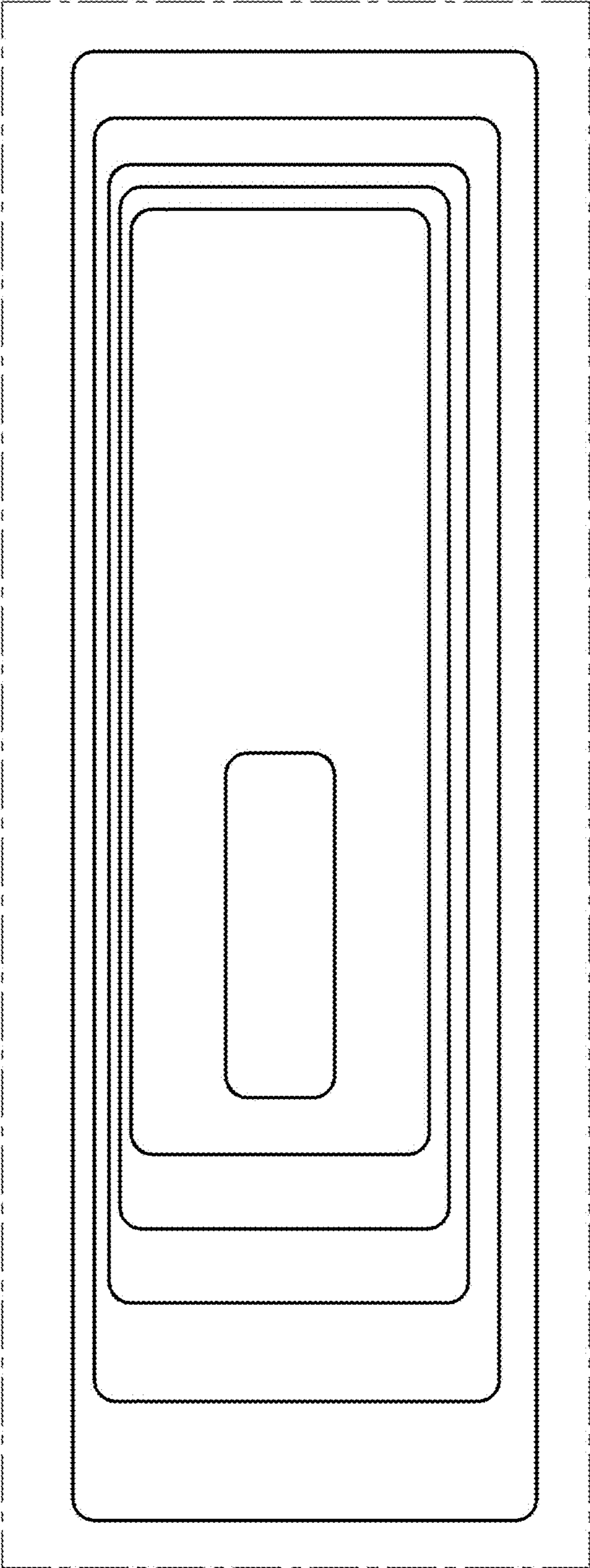


FIG. 6