

US00D867371S

(12) **United States Design Patent** (10) **Patent No.:** **US D867,371 S**  
**Chen** (45) **Date of Patent:** **\*\* Nov. 19, 2019**

(54) **BASE OF MONITOR**

A47B 88/044; A47B 2021/0335; H02G  
3/126; F16B 47/00; F16B 47/006; A47G  
1/17; A47K 2201/00

(71) Applicant: **GIGA-BYTE TECHNOLOGY CO.,  
LTD.**, New Taipei (TW)

See application file for complete search history.

(72) Inventor: **Han-Yi Chen**, New Taipei (TW)

(56) **References Cited**

(73) Assignee: **GIGA-BYTE TECHNOLOGY CO.,  
LTD.**, New Taipei (TW)

U.S. PATENT DOCUMENTS

(\*\*) Term: **15 Years**

D543,208 S *	5/2007	Kita	.....	D14/451
D551,663 S *	9/2007	Kita	.....	D14/239
7,392,965 B2 *	7/2008	Jung	.....	F16M 11/125 248/125.2
D652,045 S *	1/2012	Hong	.....	D14/447
D658,189 S *	4/2012	Zhao	.....	D14/447
D737,606 S *	9/2015	King	.....	D6/682
D746,824 S *	1/2016	Heckler	.....	D14/447

(21) Appl. No.: **29/663,202**

(22) Filed: **Sep. 13, 2018**

(30) **Foreign Application Priority Data**

May 3, 2018 (TW) ..... 107302480

(51) **LOC (12) Cl.** ..... **14-02**

(52) **U.S. Cl.**  
USPC ..... **D14/451**

(58) **Field of Classification Search**  
USPC ..... D14/371-382, 125-129, 335-337,  
D14/447-452, 492, 239, 457, 439-441,  
D14/432, 251-253; D8/349, 354, 363,  
D8/373, 376, 380; 348/180, 184, 325,  
348/739, 825; D12/407, 415; D3/218;  
341/12

CPC ..... G06F 3/0412; G06F 3/016; G06F 3/0488;  
G06F 3/011; G06F 3/038; G06F 3/03543;  
G06F 3/0338; G06F 3/0202; G06F  
3/0219; G06F 3/0213; G06F 1/1616;  
G06F 3/023; G06F 3/04883; G02F  
1/13338; G02F 1/1313; G02F 1/1333;  
G02F 1/135; G02F 1/132; G02F  
1/133308; G02F 1/134309; G02F  
1/13718; G09G 3/3648; G06K 15/1252;  
B41J 2/465; G03F 7/70291; G02B  
27/0172; G02B 5/30; G02B 2027/0118;  
G02B 27/0101; F16M 13/02; F16M  
13/00; F16M 11/10; F16M 11/04; F16M  
2200/08; F16M 11/2021; A47B 21/0314;

*Primary Examiner* — Katie Jane Stofko

(74) *Attorney, Agent, or Firm* — Idea Intellectual Limited;  
Margaret A. Burke; Sam T. Yip

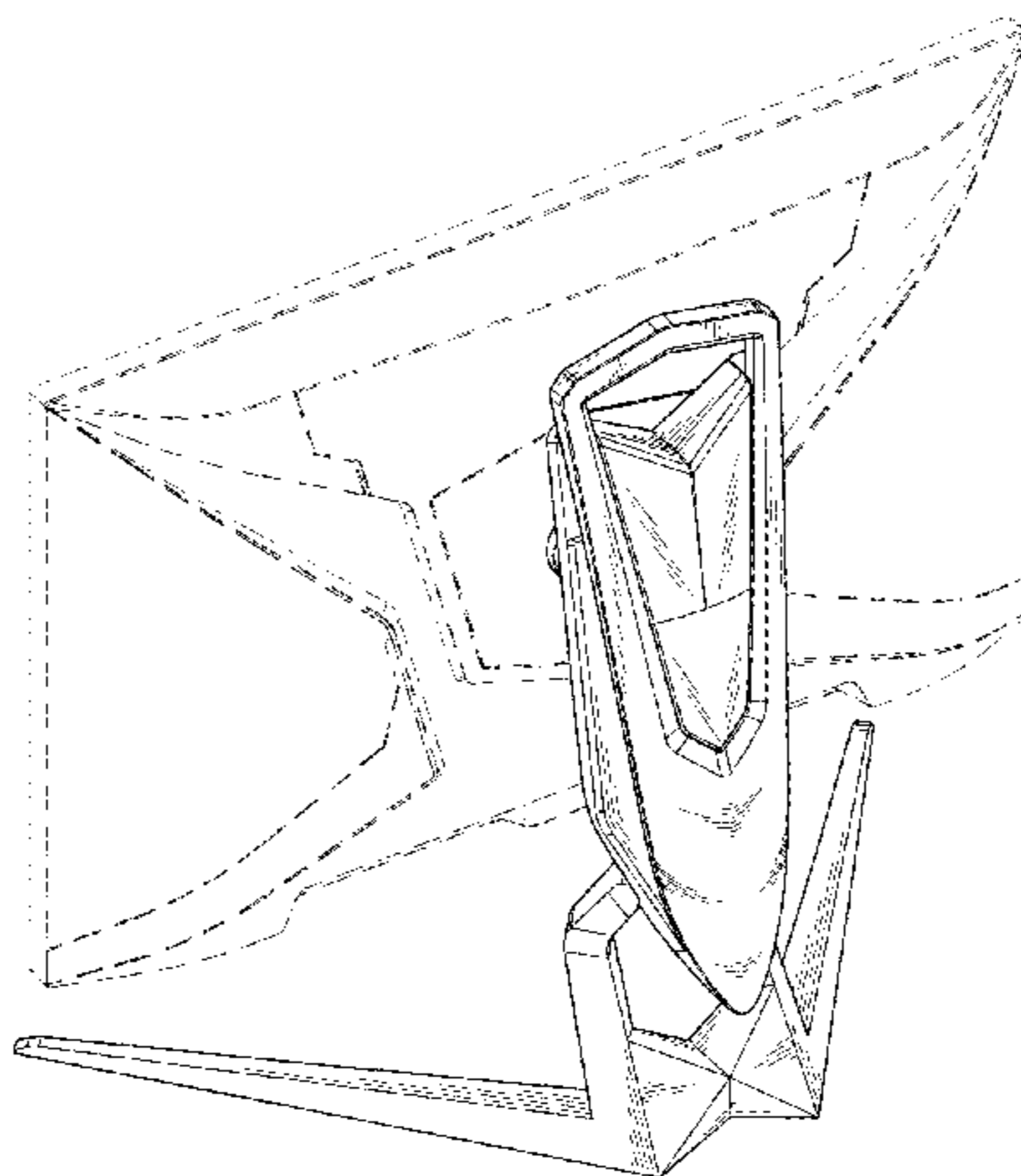
(57) **CLAIM**

The ornamental design for a base of monitor, as shown and described.

**DESCRIPTION**

FIG. 1 is a top, front, right perspective view of a base of monitor showing our new design;  
FIG. 2 is a front elevational view thereof;  
FIG. 3 is a rear elevational view thereof;  
FIG. 4 is a left side elevational view thereof;  
FIG. 5 is a right side elevational view thereof;  
FIG. 6 is a top plan view thereof;  
FIG. 7 is a bottom plan view thereof;  
FIG. 8 is a top, rear, left perspective view thereof; and,  
FIG. 9 is a top, front, left perspective view thereof, shown in an environment of use.  
The broken lines shown in FIG. 9 illustrate the environment of the claimed design and form no part thereof.

**1 Claim, 9 Drawing Sheets**



(56)

**References Cited**

U.S. PATENT DOCUMENTS

D782,230 S *	3/2017	Wong	.....	D6/686
D788,782 S *	6/2017	Lim	.....	D14/451
D817,317 S *	5/2018	Lee	.....	D14/253
D821,372 S *	6/2018	Lee	.....	D14/239
D834,584 S *	11/2018	Jung	.....	D14/452
2013/0284077 A1 *	10/2013	Copeland	.....	A47B 3/00 108/117

\* cited by examiner

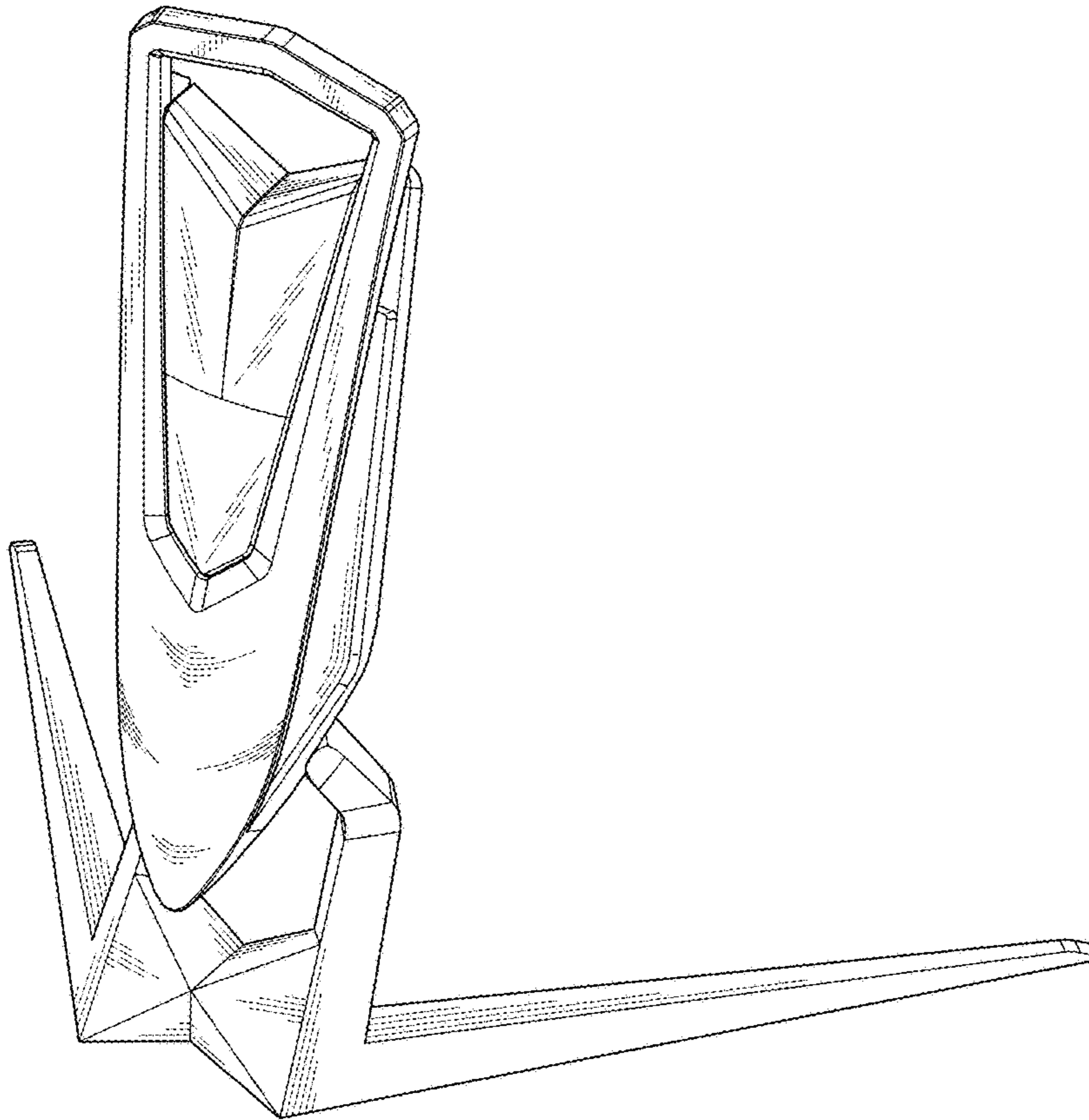


Fig. 1

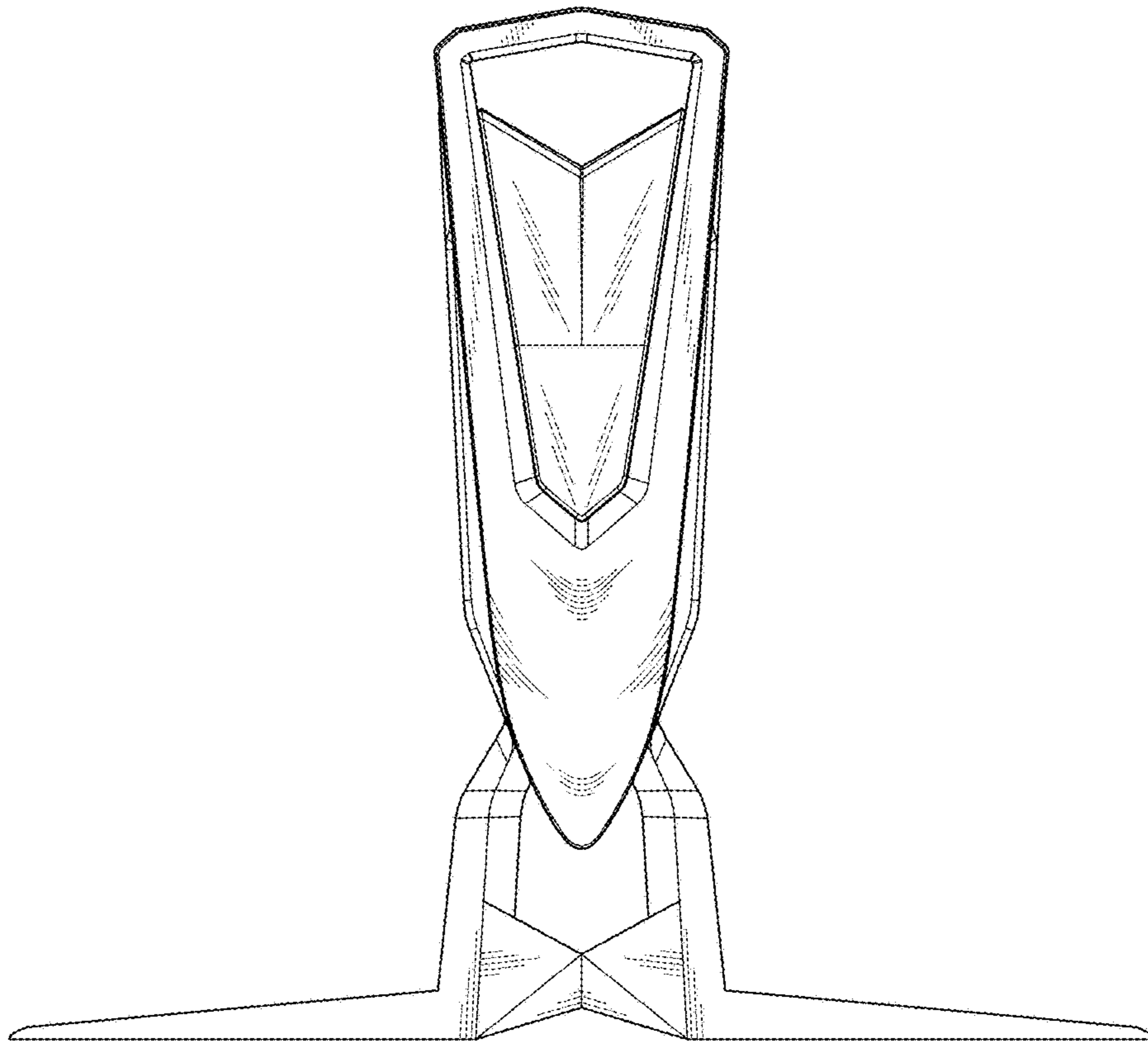


Fig. 2

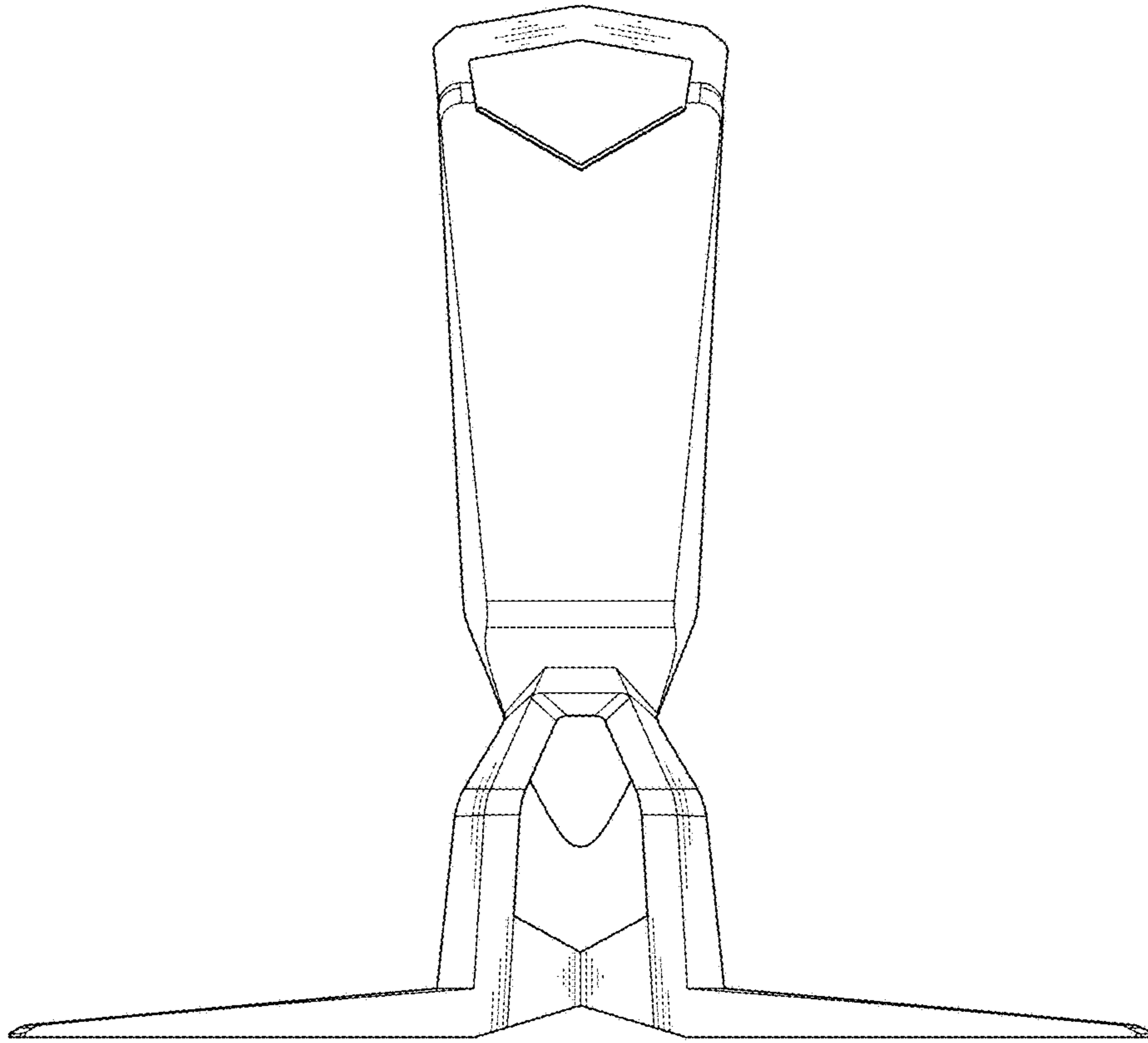


Fig. 3

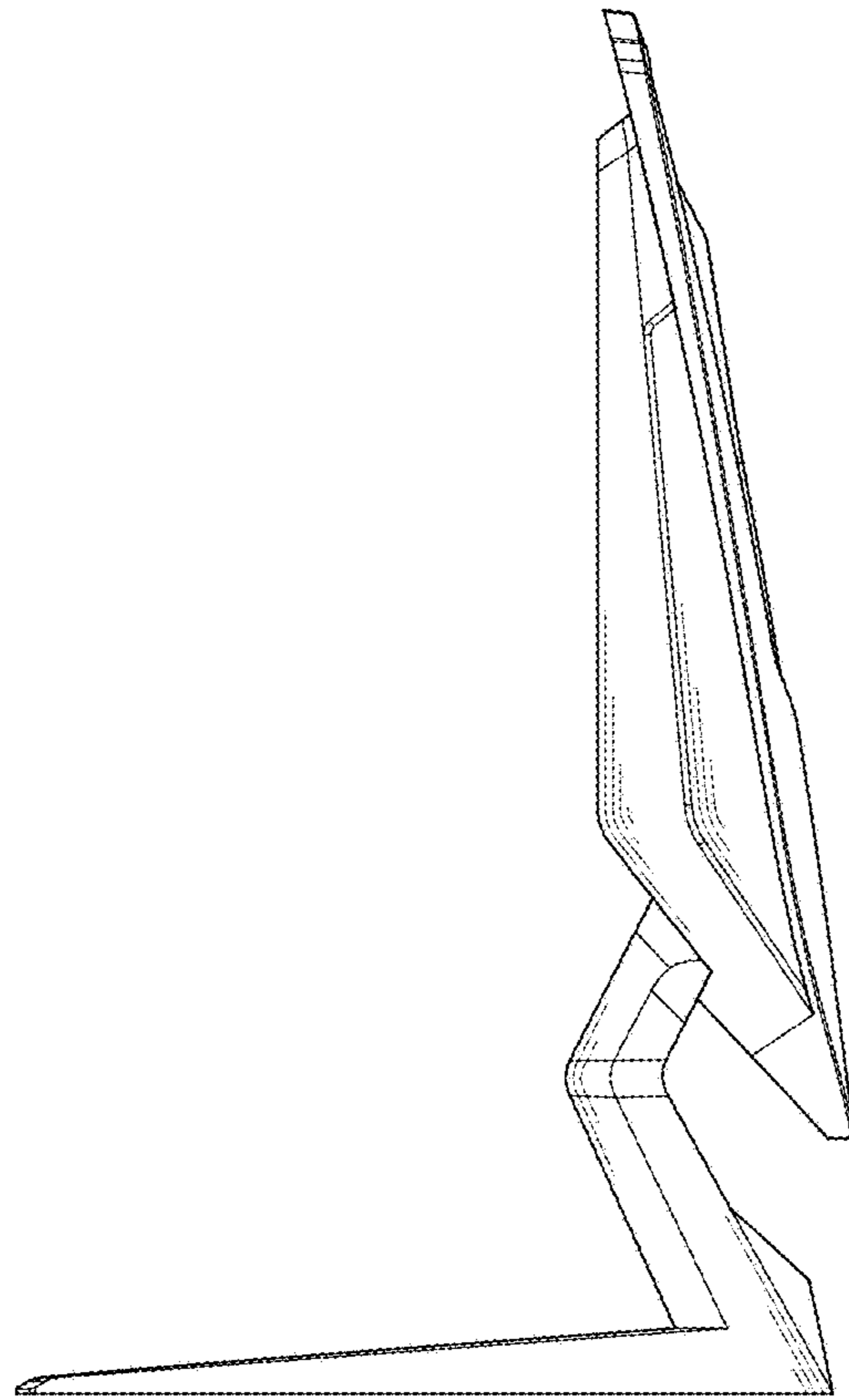


Fig. 4

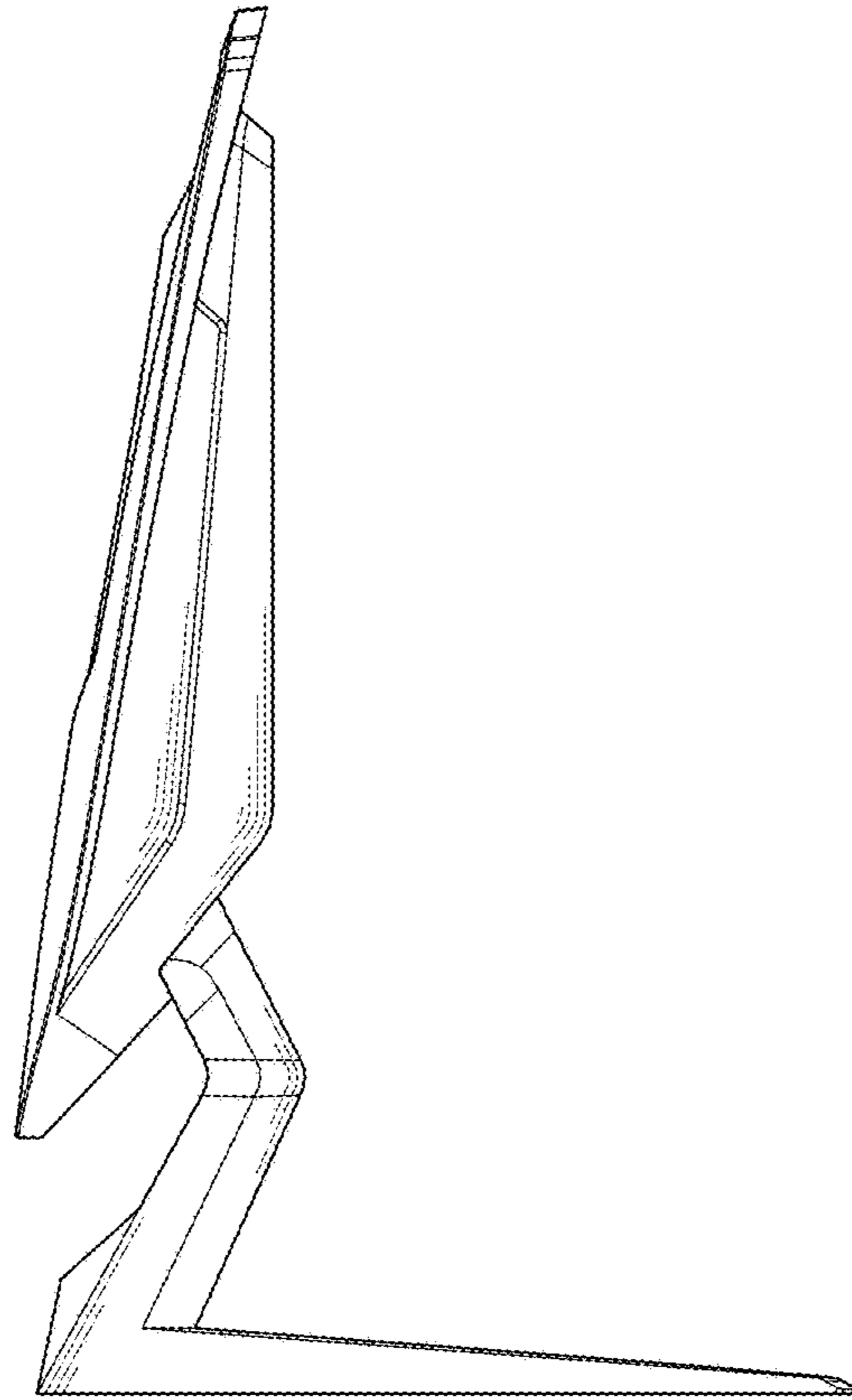


Fig. 5

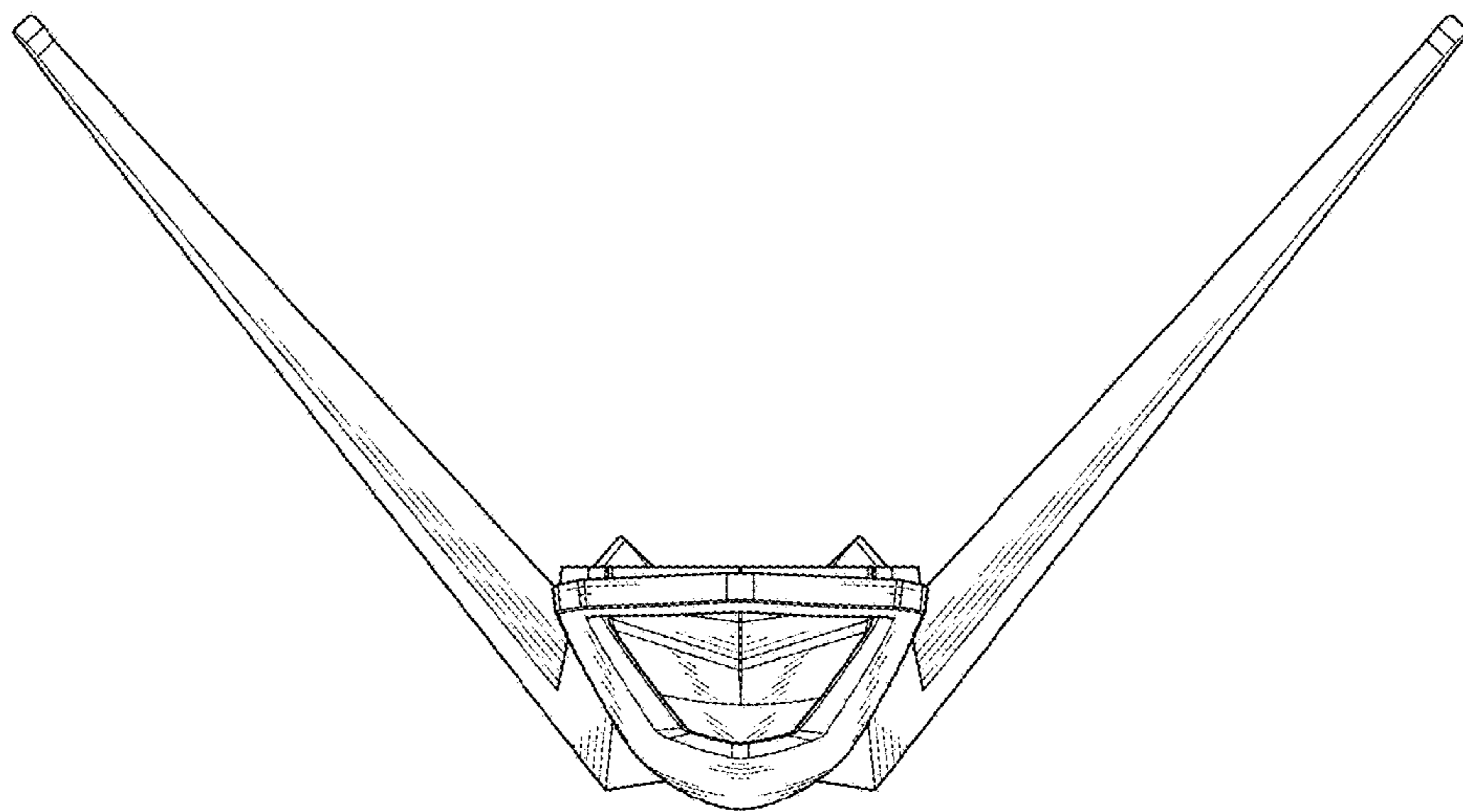


Fig. 6



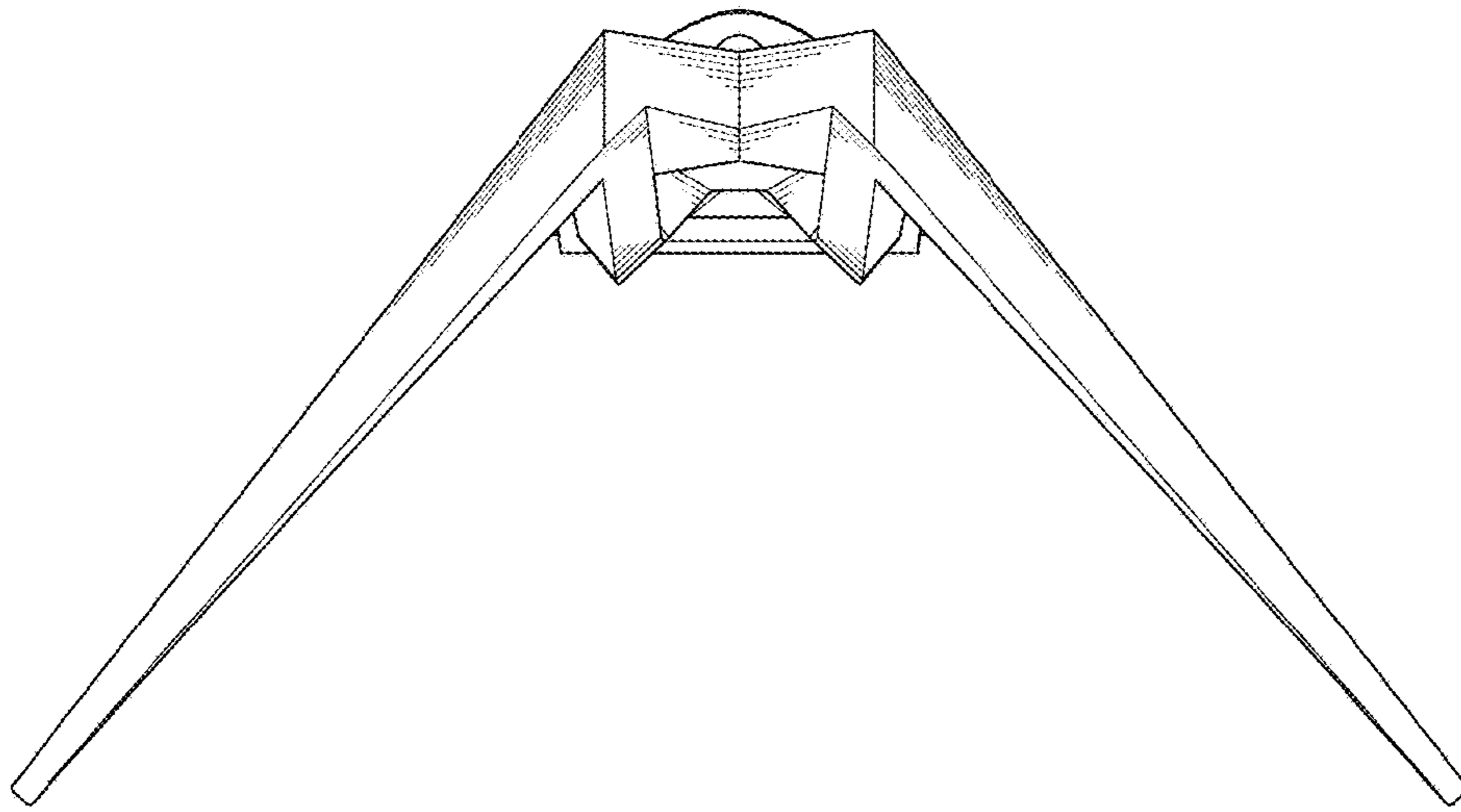


Fig. 7

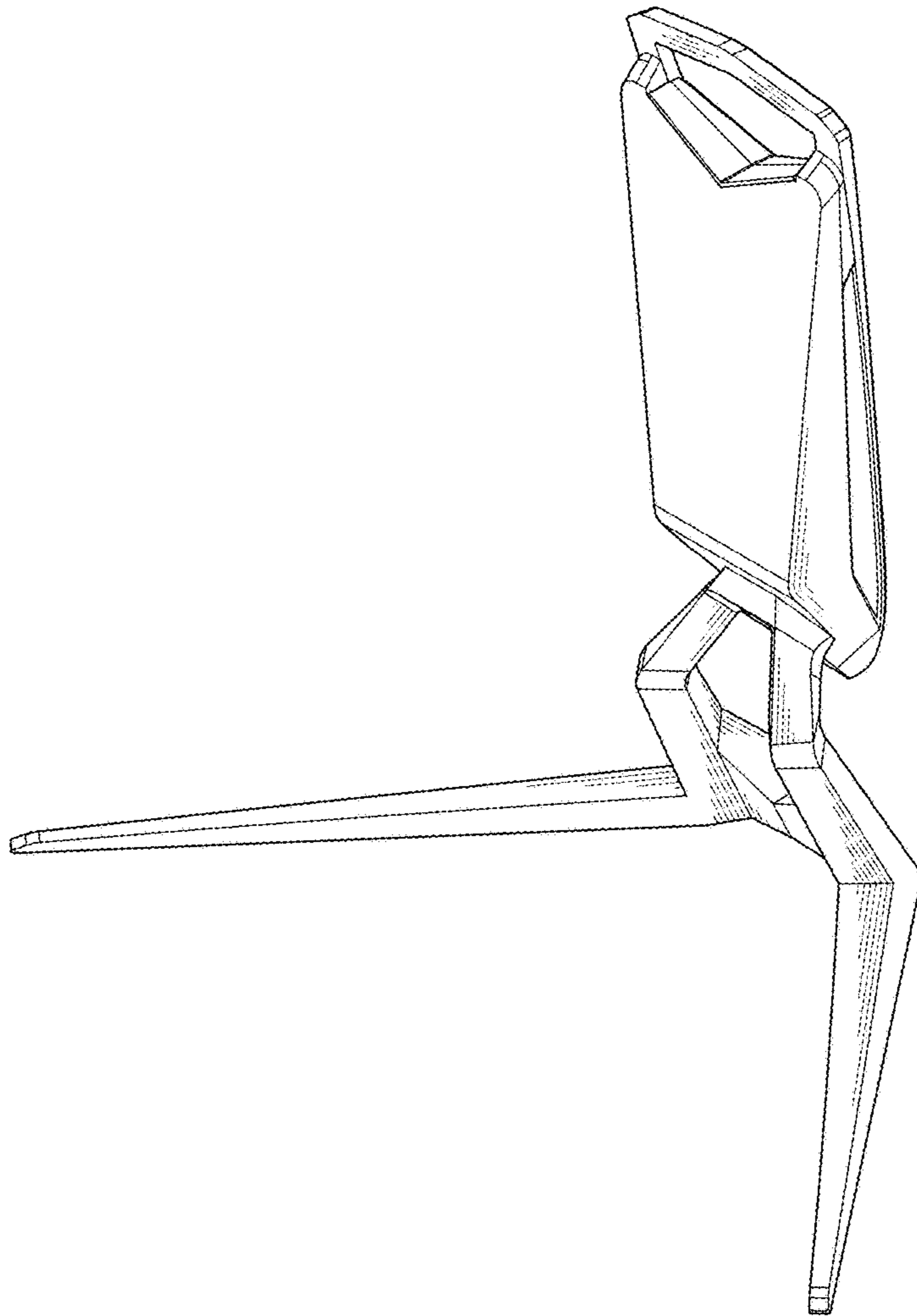


Fig. 8

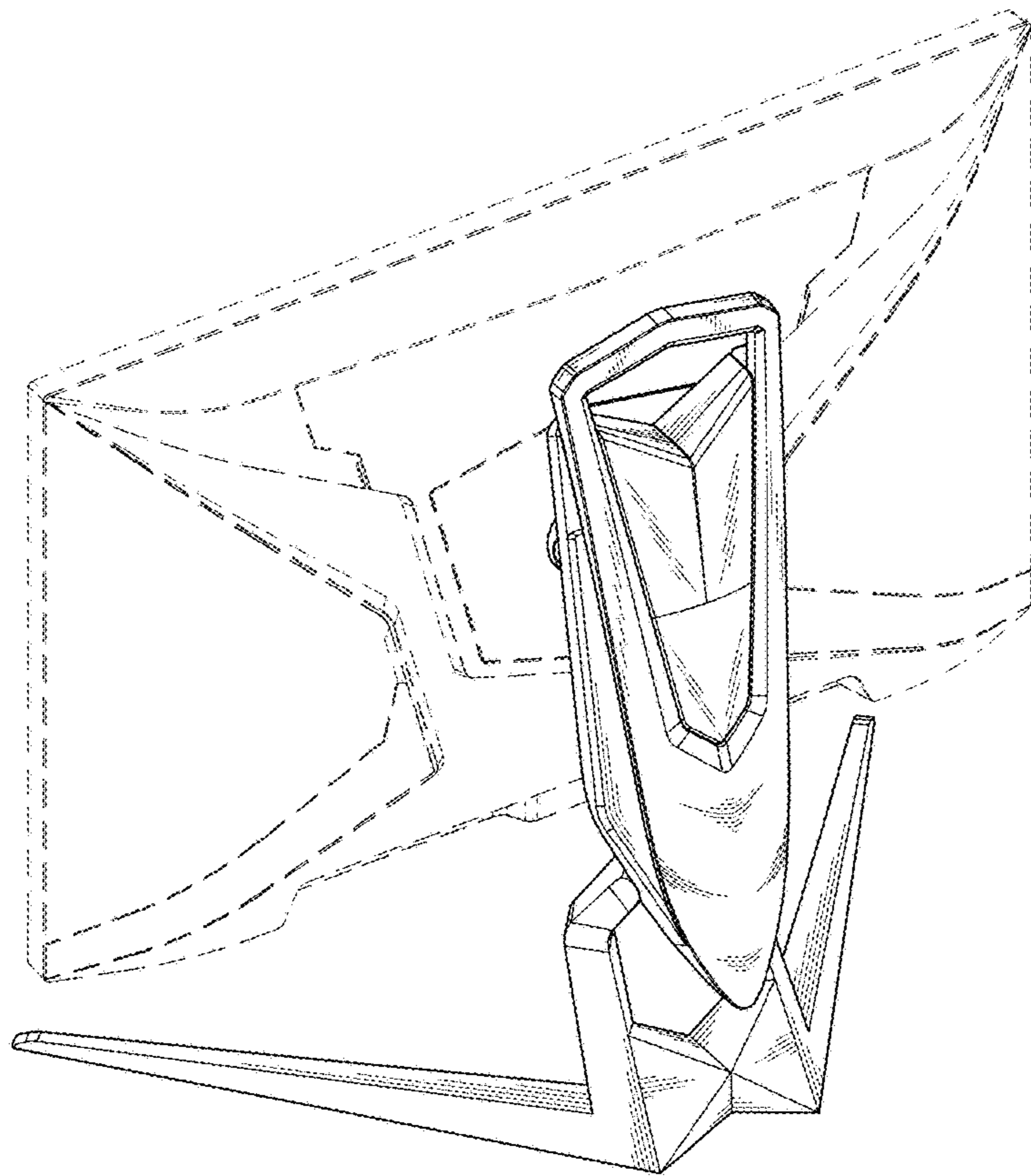


Fig. 9