



US00D867370S

(12) **United States Design Patent** (10) **Patent No.:** **US D867,370 S**
Taylor (45) **Date of Patent:** **** Nov. 19, 2019**

- (54) **PORTABLE STAND**
- (71) Applicant: **Kyle Taylor**, Bend, OR (US)
- (72) Inventor: **Kyle Taylor**, Bend, OR (US)
- (**) Term: **15 Years**
- (21) Appl. No.: **29/683,795**
- (22) Filed: **Mar. 15, 2019**

Related U.S. Application Data

- (63) Continuation of application No. 16/352,563, filed on Mar. 13, 2019.
- (51) **LOC (12) Cl.** **08-07**
- (52) **U.S. Cl.**
USPC **D14/447**
- (58) **Field of Classification Search**
USPC D14/447, 432, 434, 439, 440, 451, 452, D14/457, 239; D8/363, 373, 380; D6/406.3, 406.4, 406.5, 406.6; D12/415
CPC A47B 21/04; A47B 2097/006; A47B 2097/005; A47B 2023/049; A45C 2011/002; A45C 2011/003; F16M 2200/00; F16M 13/00
See application file for complete search history.

(56) **References Cited**

U.S. PATENT DOCUMENTS

5,335,753	A	8/1994	Campbell	
6,352,233	B1	3/2002	Barberich	
D483,767	S *	12/2003	Green	D14/447
6,819,548	B2	11/2004	Hillis et al.	
7,916,468	B2	3/2011	Takizawa	
D638,288	S *	5/2011	Tedesco	D8/380
D652,044	S *	1/2012	Pajerski	D14/447

D689,500	S *	9/2013	Faulk	D14/447
D689,870	S *	9/2013	Fong	D14/447
D703,217	S *	4/2014	Green	D14/447
D703,675	S *	4/2014	Jensen	D14/447
D715,806	S *	10/2014	An	D14/447
D767,575	S *	9/2016	Green	D14/447
9,433,287	B2	9/2016	Chen et al.	
D784,352	S *	4/2017	Burgess	D14/447
9,874,307	B1	1/2018	Del Castillo	
9,942,998	B1	4/2018	Mayes et al.	
D835,115	S *	12/2018	Westergard	D14/447
D842,862	S *	3/2019	Ellis	D14/447
D847,822	S *	5/2019	Lye	D14/447
2009/0179124	A1	7/2009	Caplan	
2009/0321605	A1	12/2009	Petrie	

* cited by examiner

Primary Examiner — Angela J Lee

(74) *Attorney, Agent, or Firm* — Jose R. Mata

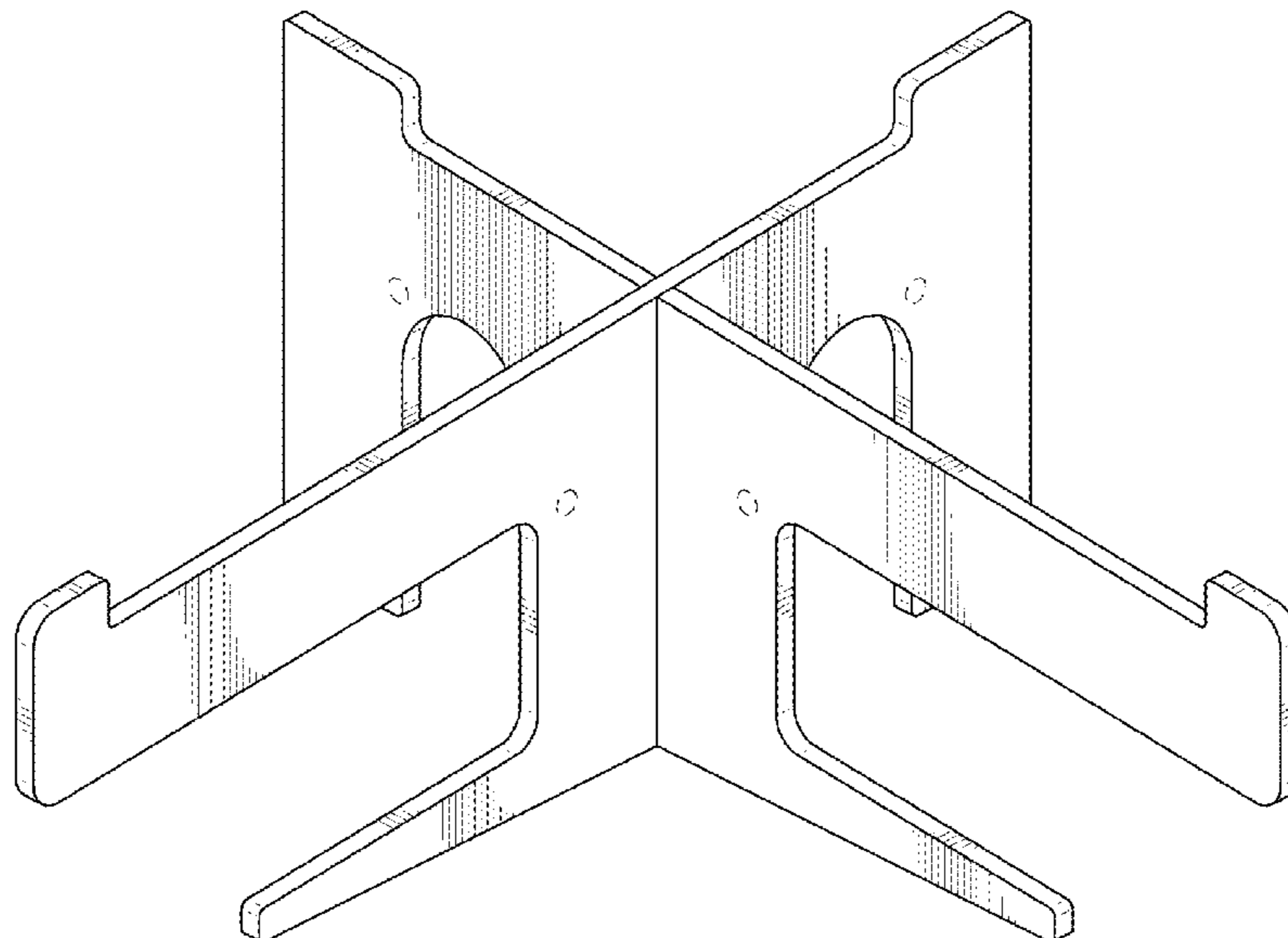
(57) **CLAIM**

The ornamental design for a portable stand, as shown and described.

DESCRIPTION

FIG. 1 is a perspective view of a portable stand;
 FIG. 2 is a front view;
 FIG. 3 is a rear view;
 FIG. 4 is a left side view;
 FIG. 5 is a right side view;
 FIG. 6 is a top view;
 FIG. 7 is a bottom view; and,
 FIG. 8 is an exploded view showing assembly of a top piece and a bottom piece of the portable stand.
 Features shown in broken line in the various figures are for illustrating environmental structure and form no part of the claimed design.

1 Claim, 8 Drawing Sheets



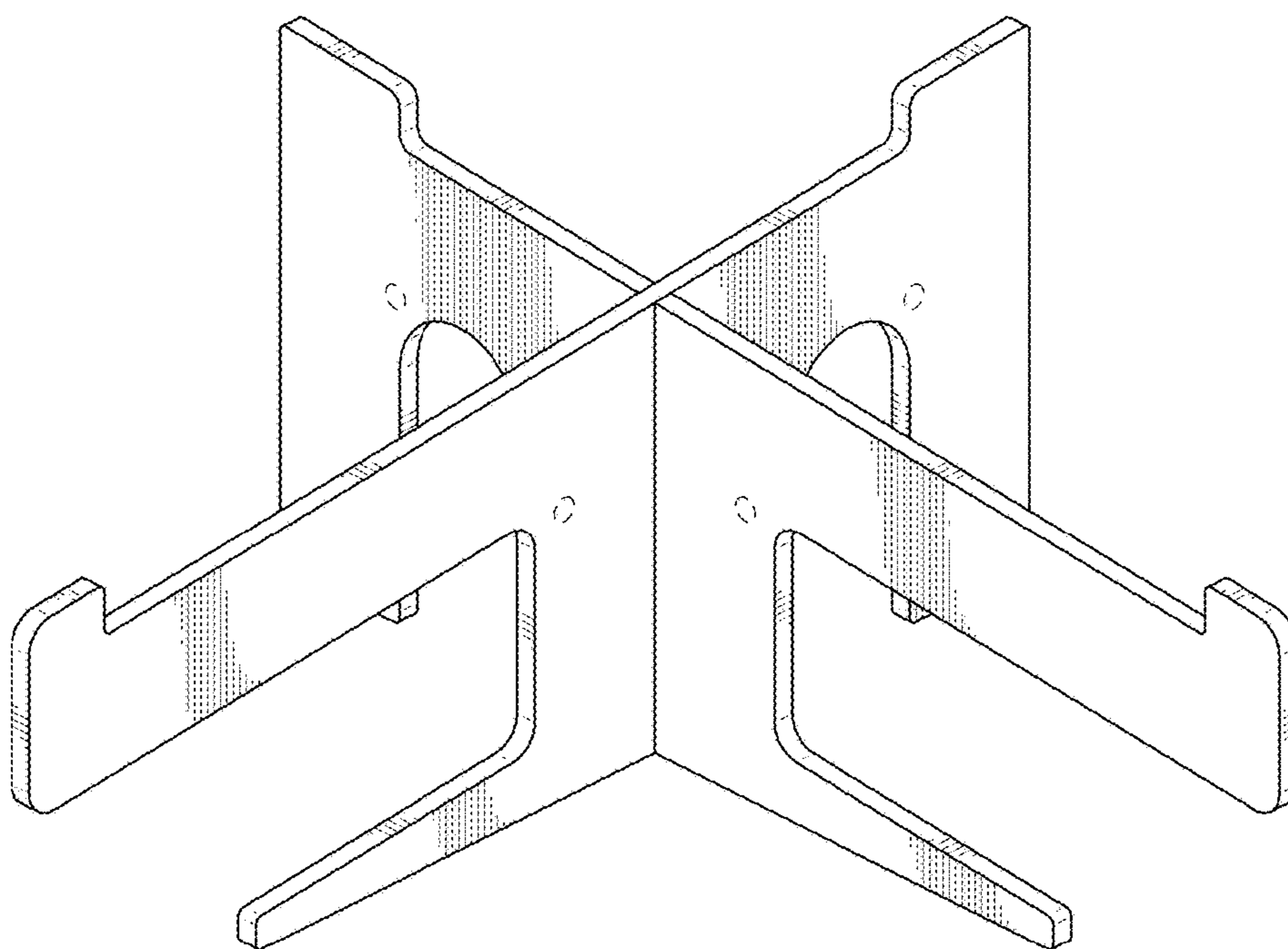


FIG. 1

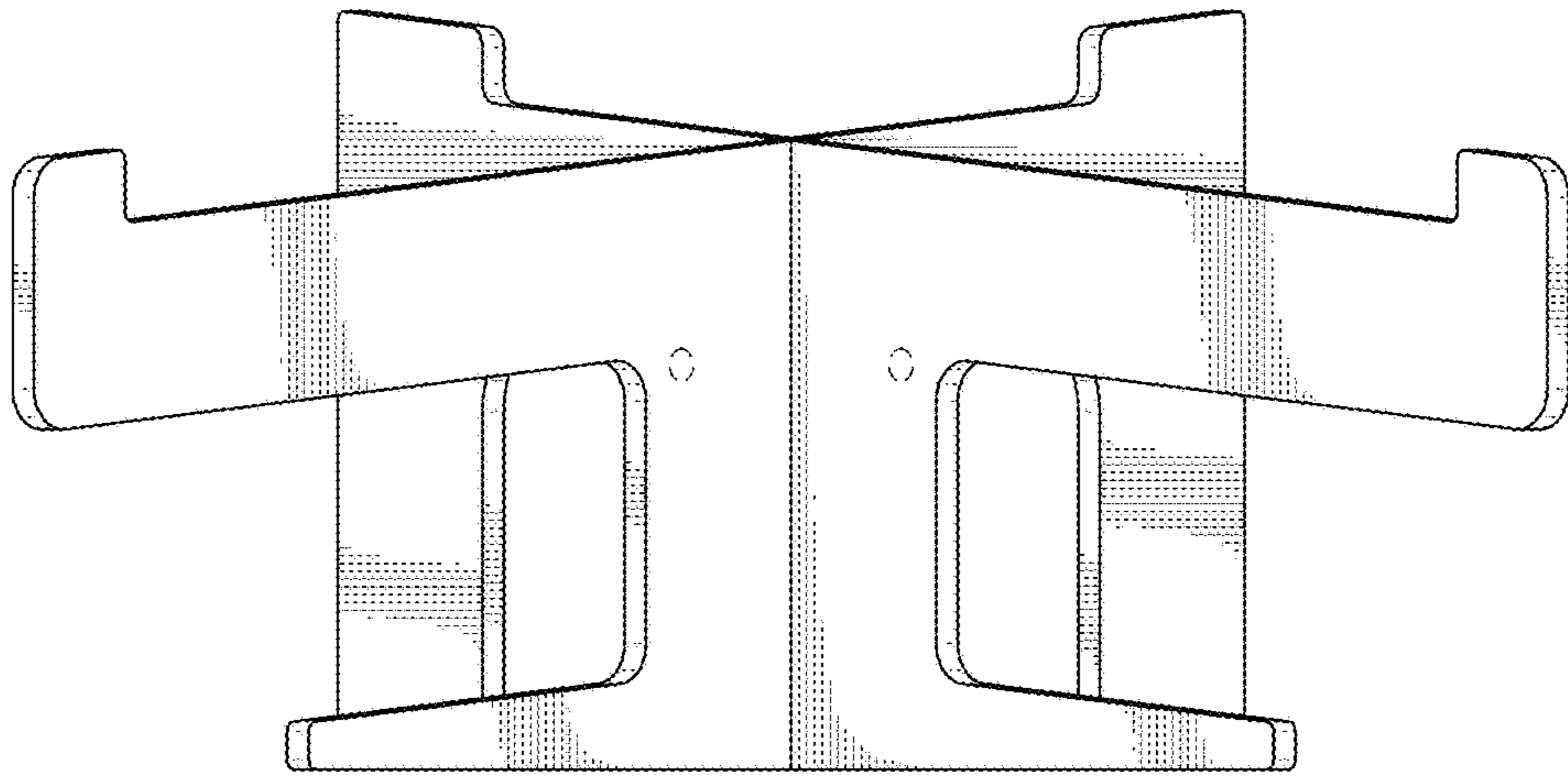


FIG. 2

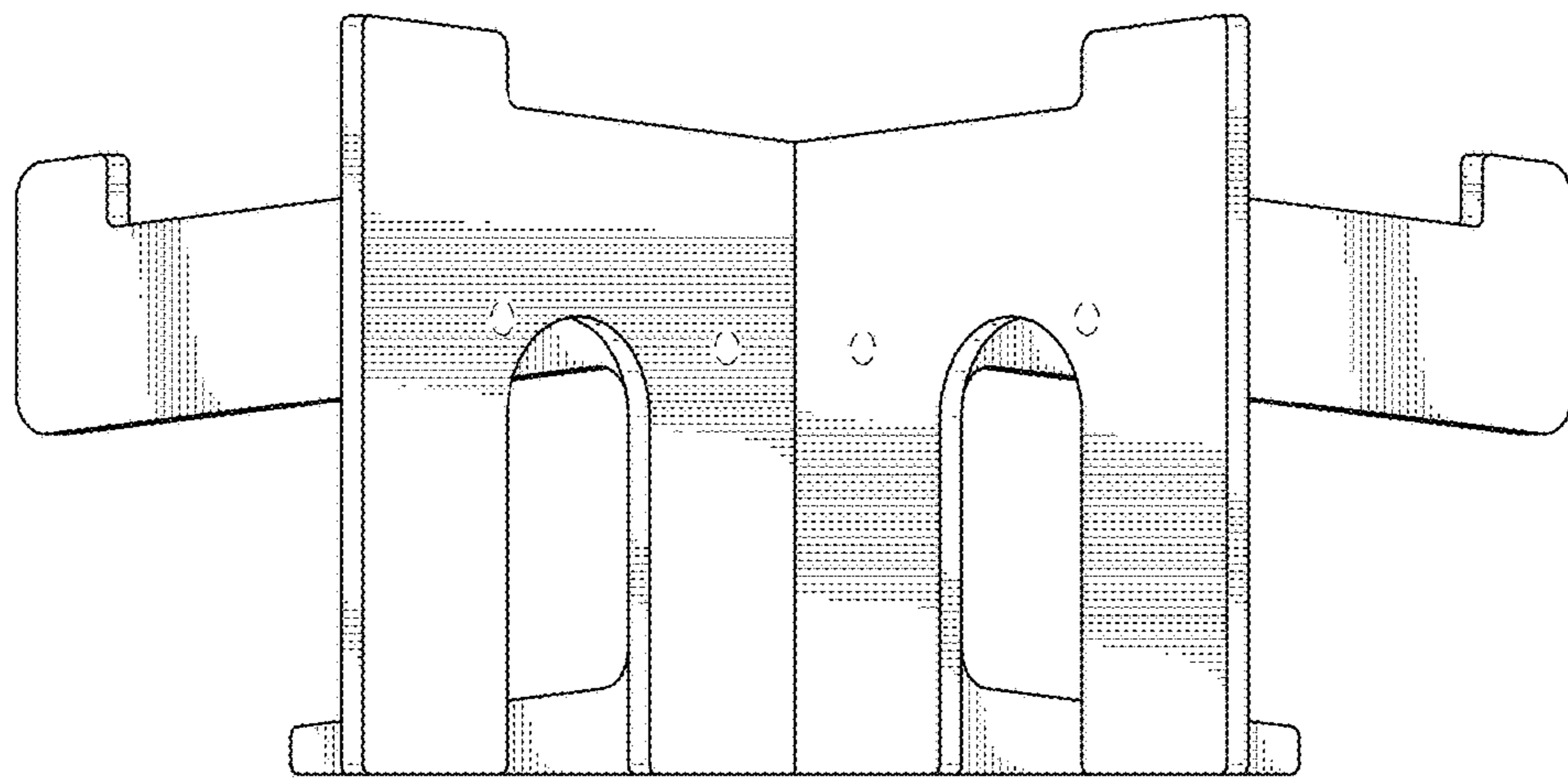


FIG. 3

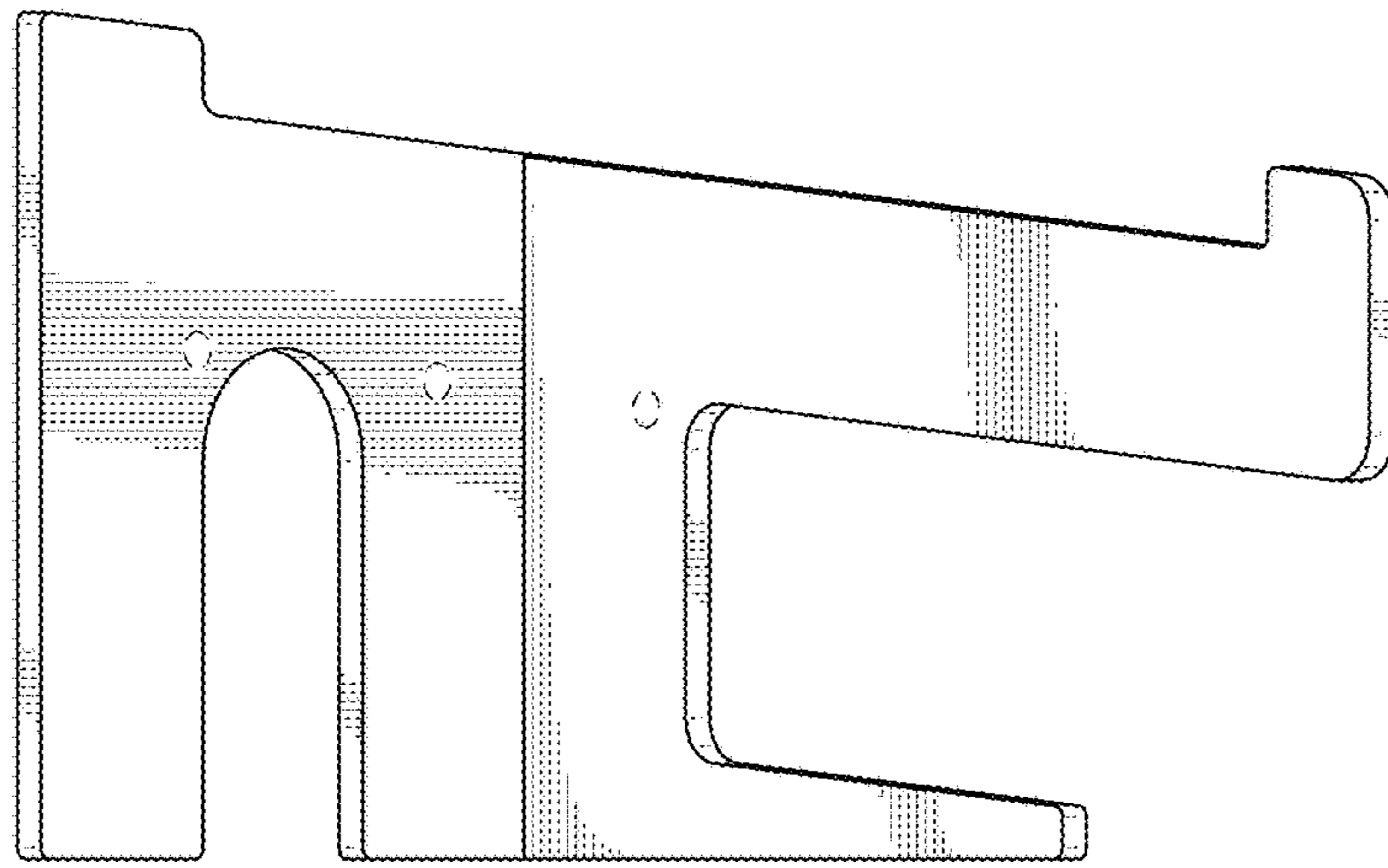


FIG. 4

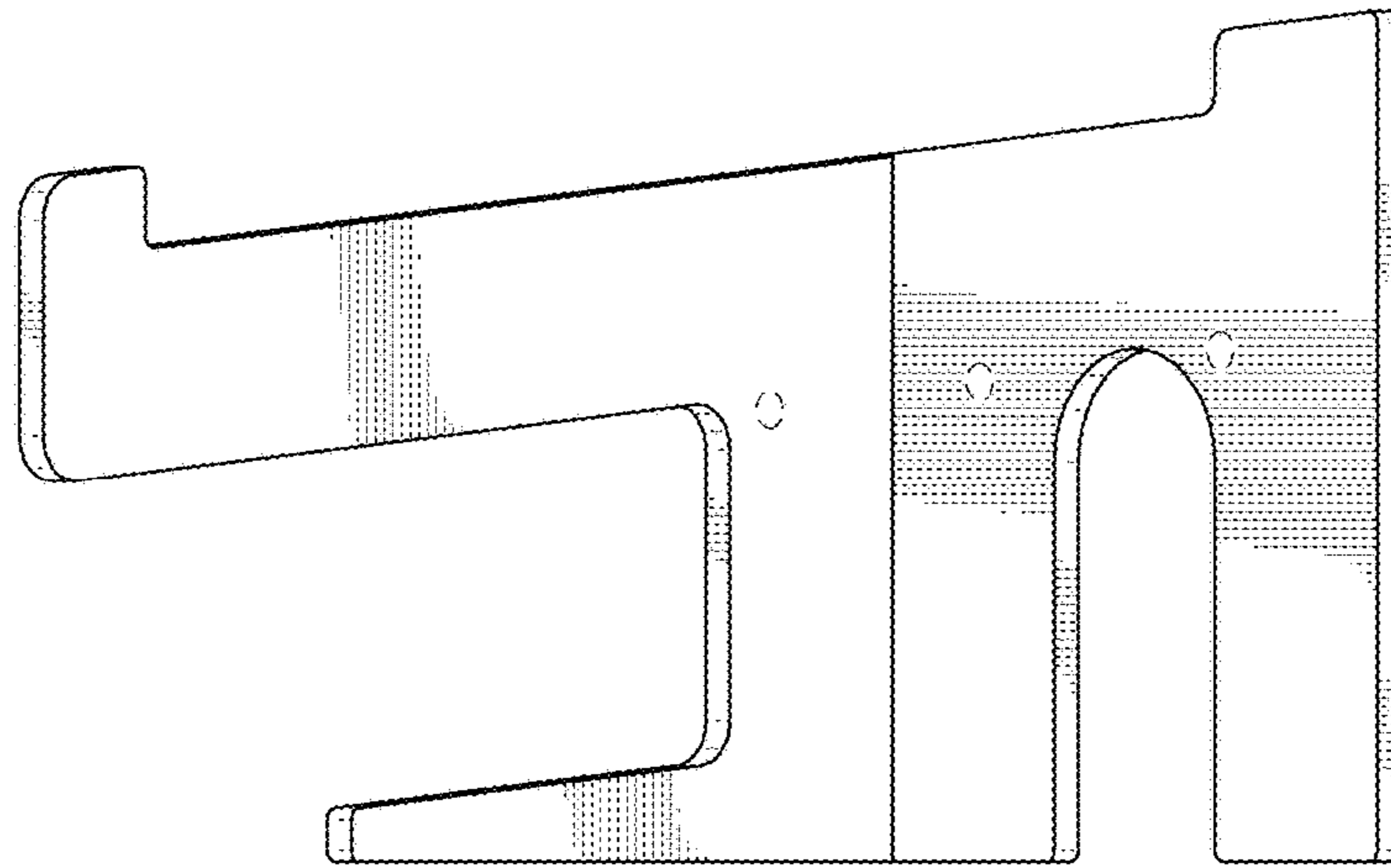


FIG. 5

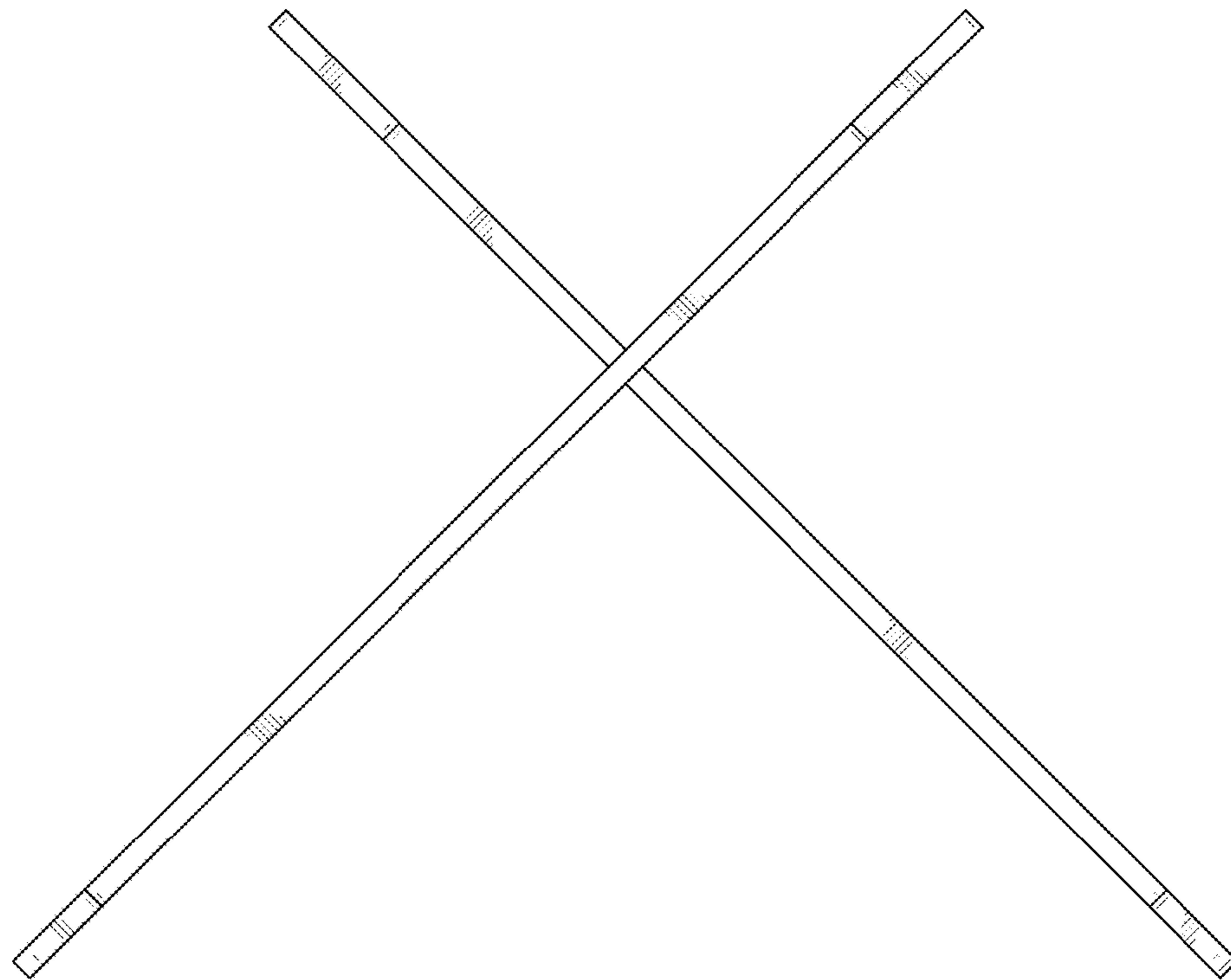


FIG. 6

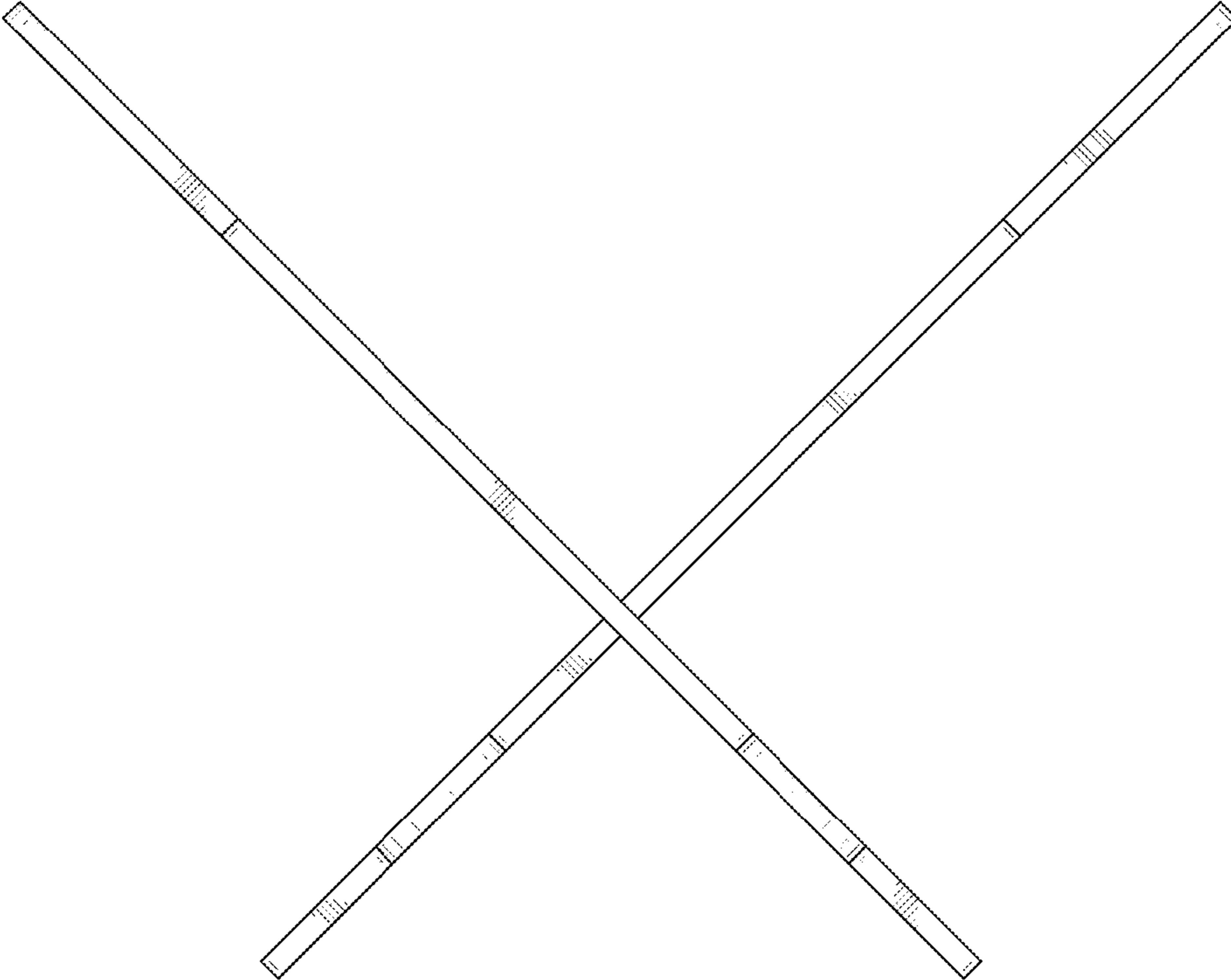


FIG. 7

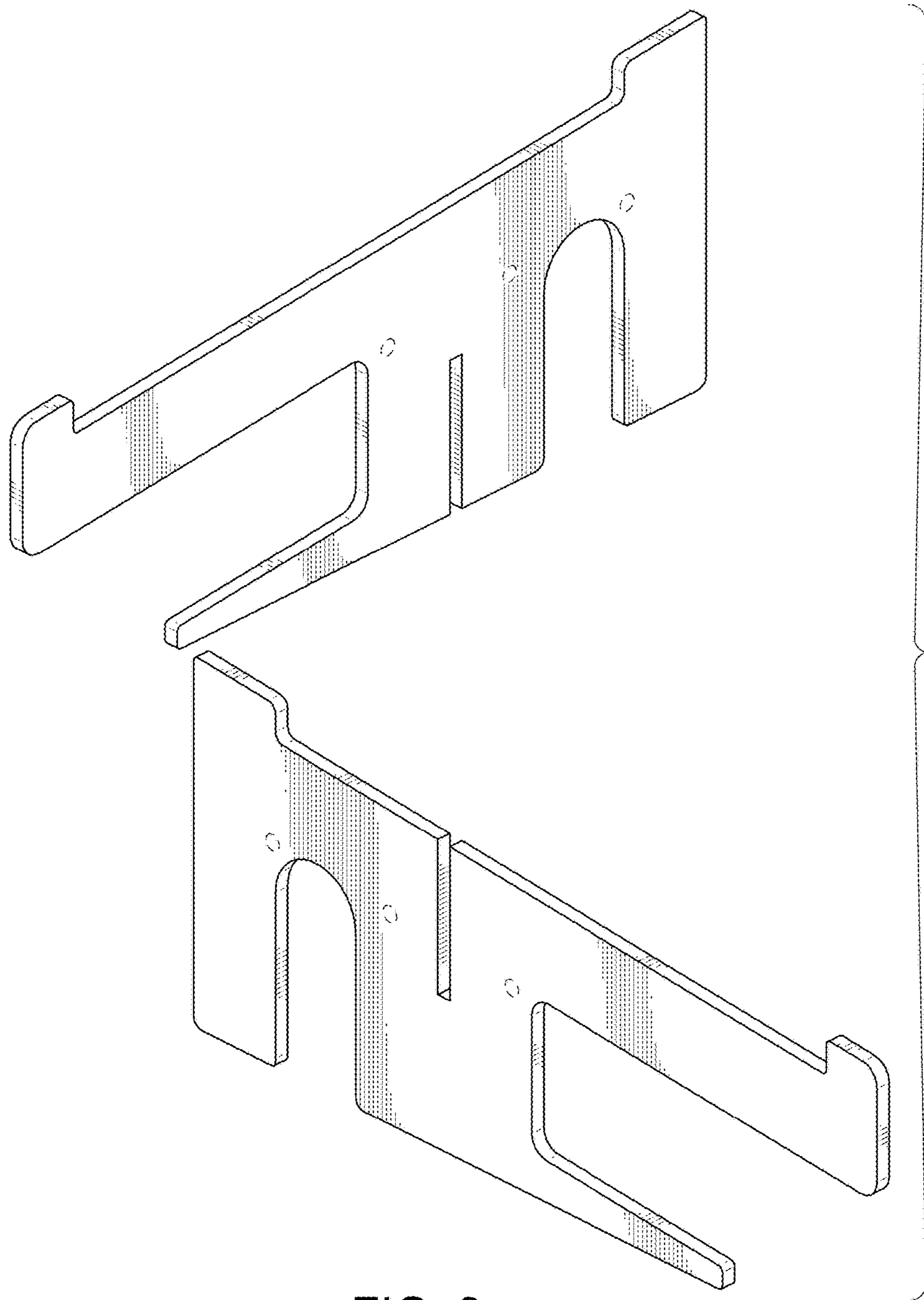


FIG. 8