

US00D867369S

(12) **United States Design Patent** (10) **Patent No.:** **US D867,369 S**
Magi et al. (45) **Date of Patent:** **** *Nov. 19, 2019**

(54) **CARD PC**

(71) Applicant: **Intel Corporation**, Santa Clara, CA (US)
(72) Inventors: **Aleksander Magi**, Aloha, OR (US); **David M. Collins**, Portland, OR (US)
(73) Assignee: **Intel Corporation**, Santa Clara, CA (US)

(*) Notice: This patent is subject to a terminal disclaimer.
(**) Term: **15 Years**
(21) Appl. No.: **29/629,837**
(22) Filed: **Dec. 15, 2017**

Related U.S. Application Data

(63) Continuation-in-part of application No. 29/569,413, filed on Jun. 27, 2016, now Pat. No. Des. 808,972.
(51) **LOC (12) Cl.** **14-02**
(52) **U.S. Cl.**
USPC **D14/436**; D14/341; D14/356
(58) **Field of Classification Search**
USPC D14/300–302, 308, 310, 312, 314, 341, D14/348–359, 363, 364, 365, 367, 432, D14/435, 436, 439, 474, 478, 483, 480.1, D14/480.3, 480.4, 496, 125, 240–242, D14/299, 250, 440, 498, 507, 509; D13/103, 107, 108, 110, 119, 123, 158, D13/162, 162.1, 163, 184, 199
CPC G11B 33/04; G11B 33/08; G11B 33/124; G11B 33/126; G11B 33/128; H05K 5/00; H05K 5/0213; G06F 1/16; G06F 1/1613; G06F 1/1633; G06F 1/181; G06F 1/187; G06F 1/183; G06F 1/184
See application file for complete search history.

(56) **References Cited**

U.S. PATENT DOCUMENTS

D298,326 S 11/1988 Kimura
D298,327 S 11/1988 Kimura
D311,737 S 10/1990 Westwood et al.
D311,740 S * 10/1990 Wagner D14/358
D339,806 S * 9/1993 Grinkus D14/217
D419,537 S 1/2000 Rodriguez
(Continued)

OTHER PUBLICATIONS

“U.S. Appl. No. 29/569,413, Corrected Notice of Allowance dated Sep. 29, 2017”, 5 pgs.
(Continued)

Primary Examiner — Marie D. Fast Horse
(74) *Attorney, Agent, or Firm* — Schwegman Lundberg & Woessner, P.A.

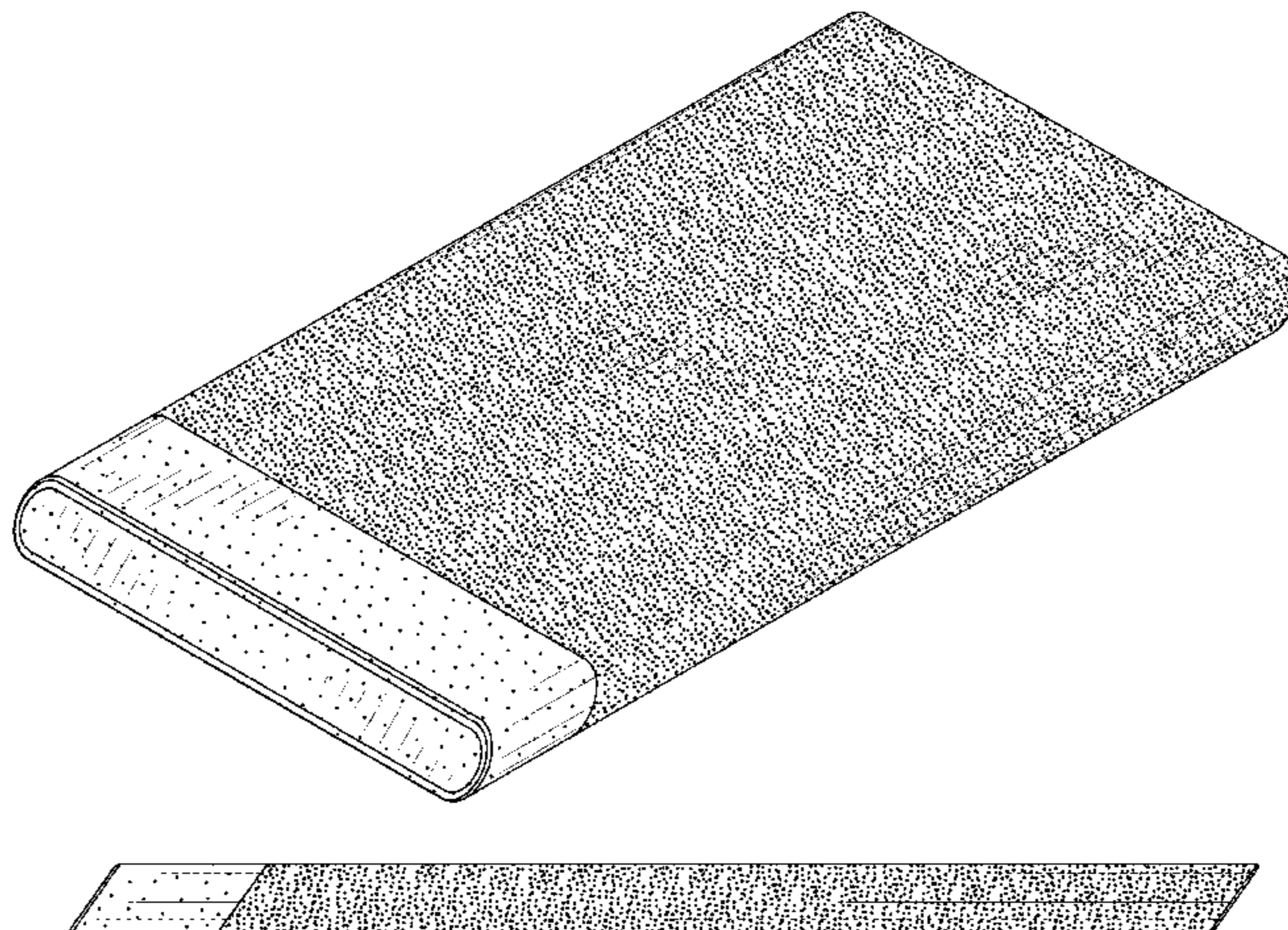
(57) **CLAIM**

The ornamental design for a card PC, as shown and described.

DESCRIPTION

FIG. 1 is an environmental view of a card PC with a docking station, showing our new design;
FIG. 2 is a top perspective view thereof;
FIG. 3 is a bottom perspective view thereof;
FIG. 4 is a top planar view thereof;
FIG. 5 is a bottom planar view thereof;
FIG. 6 is a left side planar view thereof;
FIG. 7 is a right side planar view thereof;
FIG. 8 is a front planar view thereof; and,
FIG. 9 is a back planar view thereof.
The stipple shading is for illustrative purposes to indicate a contrast in appearance and should not be confused with surface ornamentation.

(Continued)



Broken lines in the drawings are included for the purpose of illustrating environmental structure only and form no part of the claimed design.

1 Claim, 7 Drawing Sheets

(56)

References Cited

U.S. PATENT DOCUMENTS

D444,465 S * 7/2001 Do D14/341
 D490,415 S 5/2004 Whitehorn et al.
 D490,796 S 6/2004 Allen
 D490,804 S 6/2004 Whitehorn et al.
 D502,173 S * 2/2005 Jung D14/341
 6,891,721 B2 5/2005 Huang
 D520,502 S 5/2006 Xu et al.
 D531,178 S 10/2006 Lee
 D534,184 S 12/2006 Leija et al.
 D539,814 S 4/2007 Andre et al.
 D542,784 S 5/2007 Franck et al.
 D545,818 S * 7/2007 Hochendoner D14/358
 D556,185 S 11/2007 Motoishi
 D568,310 S 5/2008 Franck et al.
 D575,787 S 8/2008 Su
 D578,119 S 10/2008 Camarena et al.
 D585,077 S 1/2009 Sheba et al.
 D586,740 S 2/2009 Song
 D586,741 S 2/2009 Song
 D590,334 S 4/2009 Tatehata et al.
 D590,336 S 4/2009 Tatehata et al.
 D590,769 S 4/2009 Tatehata et al.
 D593,940 S 6/2009 Nomi et al.
 D593,971 S 6/2009 Kim et al.
 D593,972 S 6/2009 Cho
 D596,634 S * 7/2009 Wong D14/358
 D599,341 S 9/2009 Chen
 D605,157 S 12/2009 Kim et al.
 D611,470 S 3/2010 Andre et al.
 D612,329 S 3/2010 Guccione et al.
 D618,207 S 6/2010 Andre et al.
 D626,552 S 11/2010 Andre et al.
 D626,867 S 11/2010 Kuramoto
 D631,458 S 1/2011 Liao et al.
 D636,752 S 4/2011 Liao et al.
 D638,385 S 5/2011 Wong
 D642,999 S 8/2011 Wan et al.
 D643,402 S * 8/2011 Andre D14/203.3
 D646,222 S 10/2011 Tatehata et al.
 D647,901 S 11/2011 Lin et al.
 D648,690 S 11/2011 Snodgrass et al.
 D656,496 S 3/2012 Andre et al.
 D665,734 S 8/2012 Fitch et al.
 D672,336 S 12/2012 Lister et al.
 D677,623 S 3/2013 Fitch et al.
 D678,191 S 3/2013 Fitch et al.
 8,446,711 B2 5/2013 Liao et al.
 D684,114 S 6/2013 Otani et al.
 D695,316 S 12/2013 Akana et al.
 D697,507 S 1/2014 Yu et al.
 D697,911 S 1/2014 Mcmanigal et al.
 D705,782 S 5/2014 Mcparland et al.
 D706,778 S 6/2014 Kawasaki et al.
 D706,779 S 6/2014 Kawasaki et al.

D709,507 S 7/2014 Mcparland et al.
 D717,243 S 11/2014 Liu et al.
 D719,506 S 12/2014 Jung et al.
 D720,755 S 1/2015 Nokuo
 D721,671 S 1/2015 Nam et al.
 D722,035 S 2/2015 Nam et al.
 D722,036 S 2/2015 Nam et al.
 D724,080 S 3/2015 Lin
 D729,727 S 5/2015 Lin
 D732,023 S 6/2015 Asao
 D740,828 S 10/2015 Bucsa
 D743,398 S 11/2015 Smith et al.
 D751,981 S 3/2016 Lin
 D751,982 S 3/2016 Lin
 D754,131 S 4/2016 Shim
 9,312,633 B1 4/2016 Szeto et al.
 D756,996 S 5/2016 Akana et al.
 D763,188 S 8/2016 Park et al.
 D768,594 S 10/2016 Szeto
 D769,811 S 10/2016 Lin
 D770,378 S 11/2016 Lin
 D770,379 S 11/2016 Lin
 D770,380 S 11/2016 Lin
 D771,034 S 11/2016 Satzger et al.
 D774,514 S * 12/2016 Turksu D14/480.5
 D782,410 S * 3/2017 Li D13/103
 D783,603 S 4/2017 Satzger et al.
 D787,443 S * 5/2017 Chiang D13/110
 D792,409 S 7/2017 Shim
 D806,089 S * 12/2017 Shim D14/480.5
 D808,972 S 1/2018 Magi et al.
 D811,391 S * 2/2018 Behar D14/349
 D813,874 S * 3/2018 Magi D14/434
 D814,460 S * 4/2018 Behar D14/349
 D815,099 S * 4/2018 Magi D14/356
 D817,269 S * 5/2018 Sukphist D13/108
 D824,381 S * 7/2018 Collins D14/315
 D824,897 S * 8/2018 Collins D14/315
 D829,719 S * 10/2018 Shim D14/435
 D833,411 S * 11/2018 Castle D14/155
 D835,050 S * 12/2018 Wilcox D13/152
 D839,226 S * 1/2019 Christie D14/125
 2004/0190192 A1 * 9/2004 Huang G11B 25/043
 360/99.13
 2005/0227737 A1 10/2005 Moon et al.
 2009/0117412 A1 5/2009 Koh et al.
 2011/0254509 A1 10/2011 Boczer et al.
 2012/0206088 A1 8/2012 Park
 2013/0300697 A1 * 11/2013 Kim G06F 1/1626
 345/173

OTHER PUBLICATIONS

“U.S. Appl. No. 29/569,413, Notice of Allowance dated Sep. 15, 2017”, 14 pgs.
 “U.S. Appl. No. 29/569,413, Response filed Aug. 11, 2017 to Restriction Requirement dated Jun. 12, 2017”, 5 pgs.
 “U.S. Appl. No. 29/569,413, Restriction Requirement dated Jun. 12, 2017”, 4 pgs.
 “Intel Showcases Compute Card Solutions With Partners At Computex”, [Online] retrieved from the internet: <<https://newsroom.intel.com/news/intel-showcases-compute-card-solutions-partners-computex-2017/>>, (May 30, 2017).
 “U.S. Appl. No. 29/629,833, Response filed Jun. 17, 2019 to Non-Final Office Action dated Mar. 18, 2019”, 6 pgs.

* cited by examiner

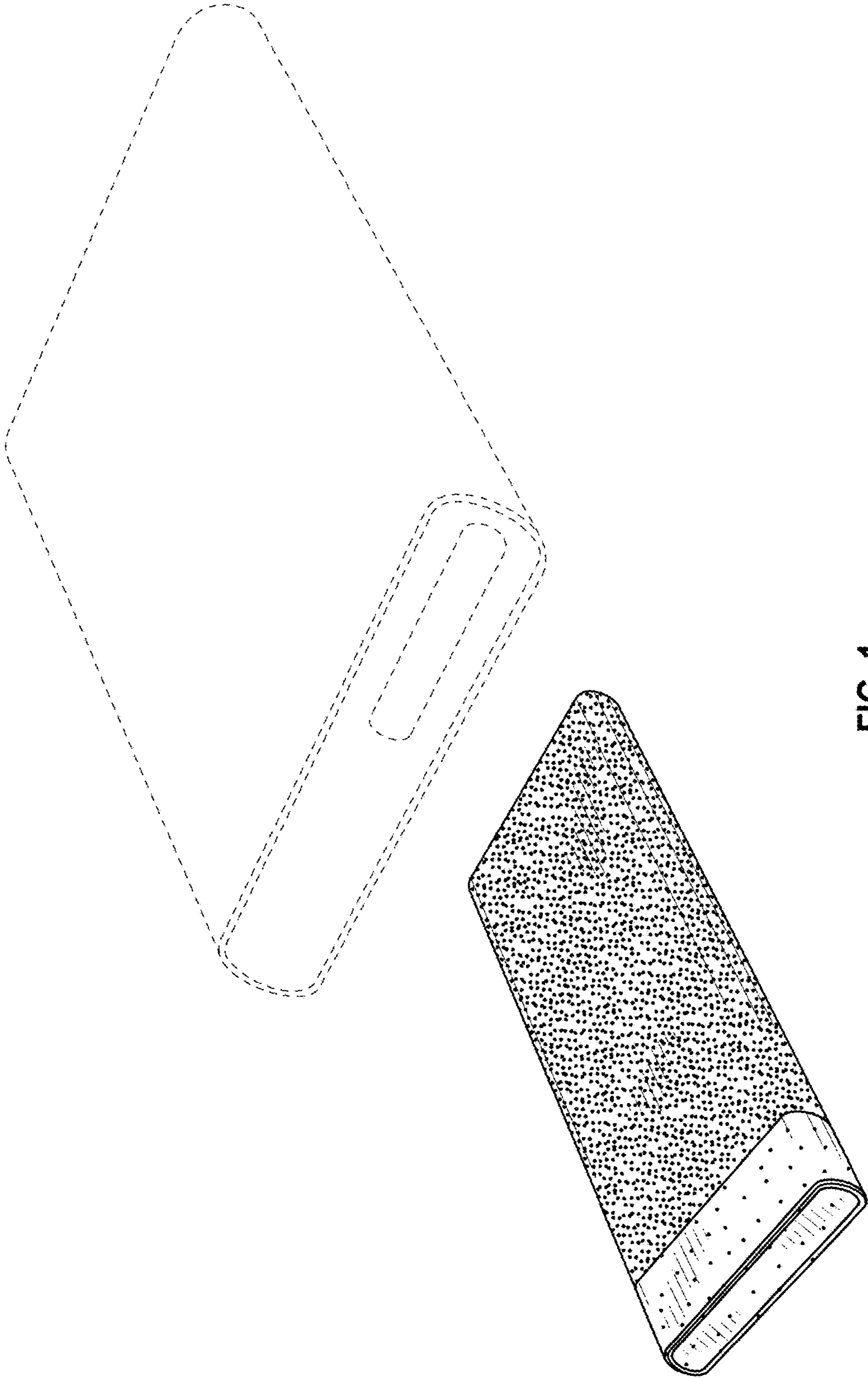


FIG. 1

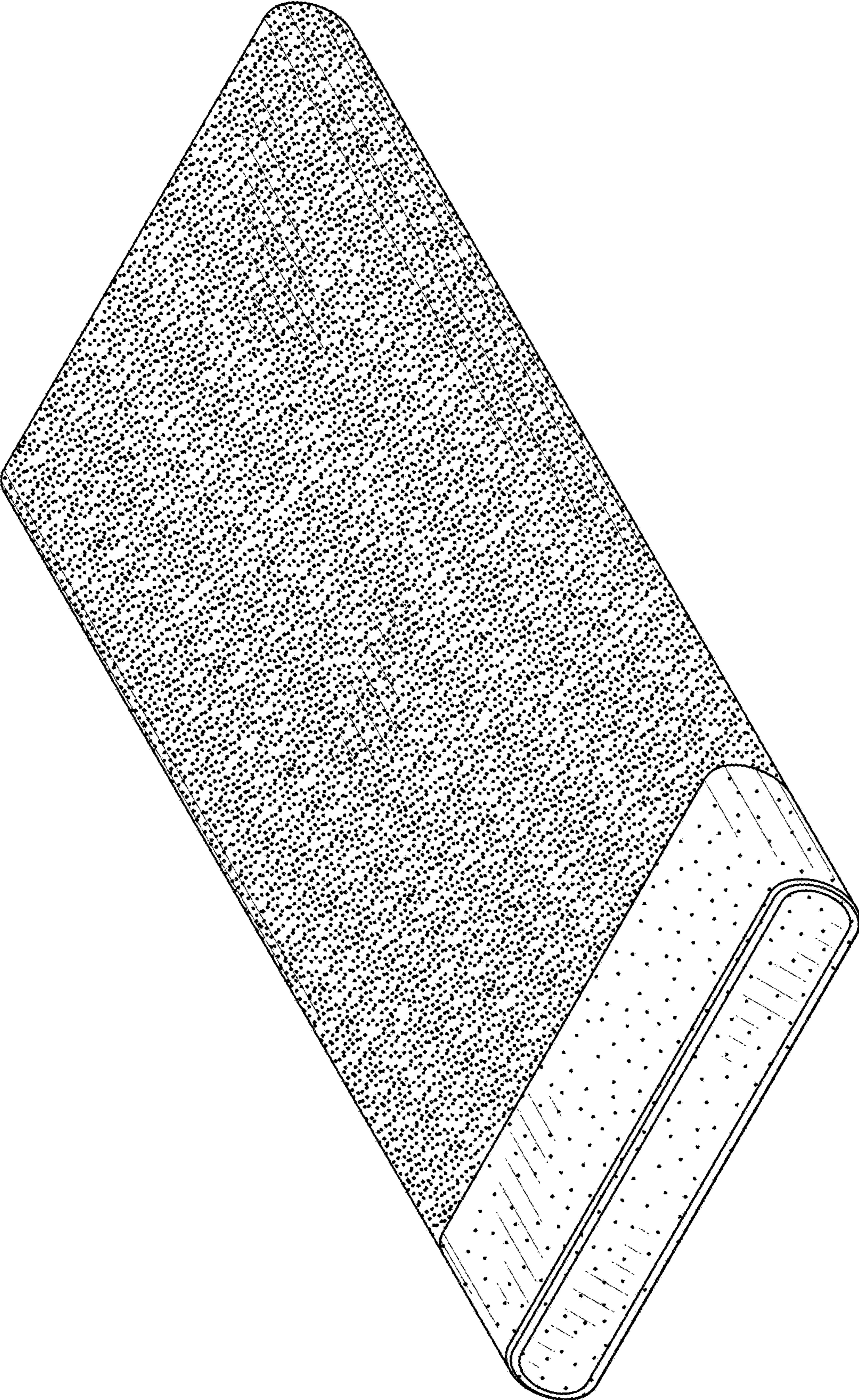


FIG. 2

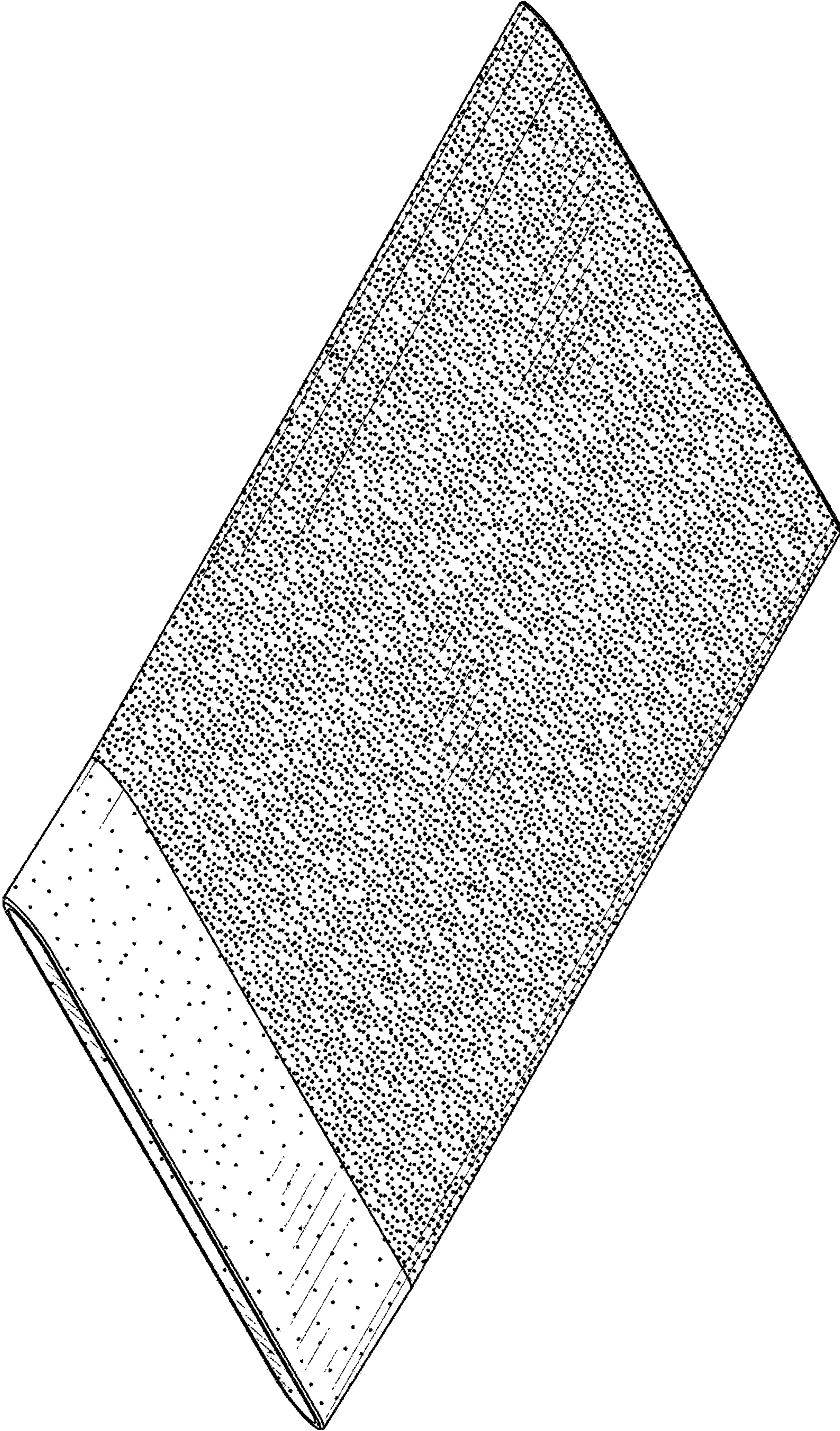


FIG. 3

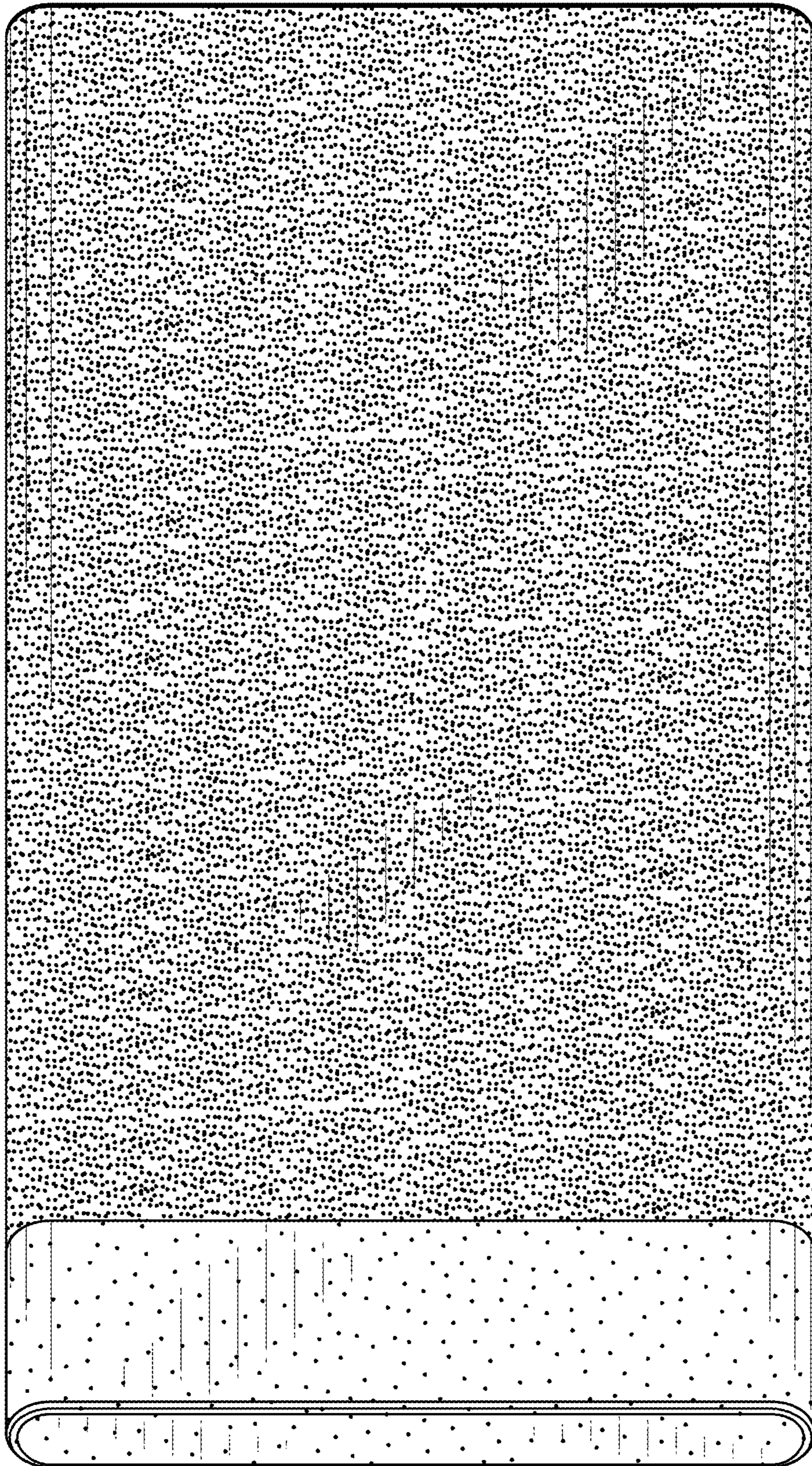


FIG. 4

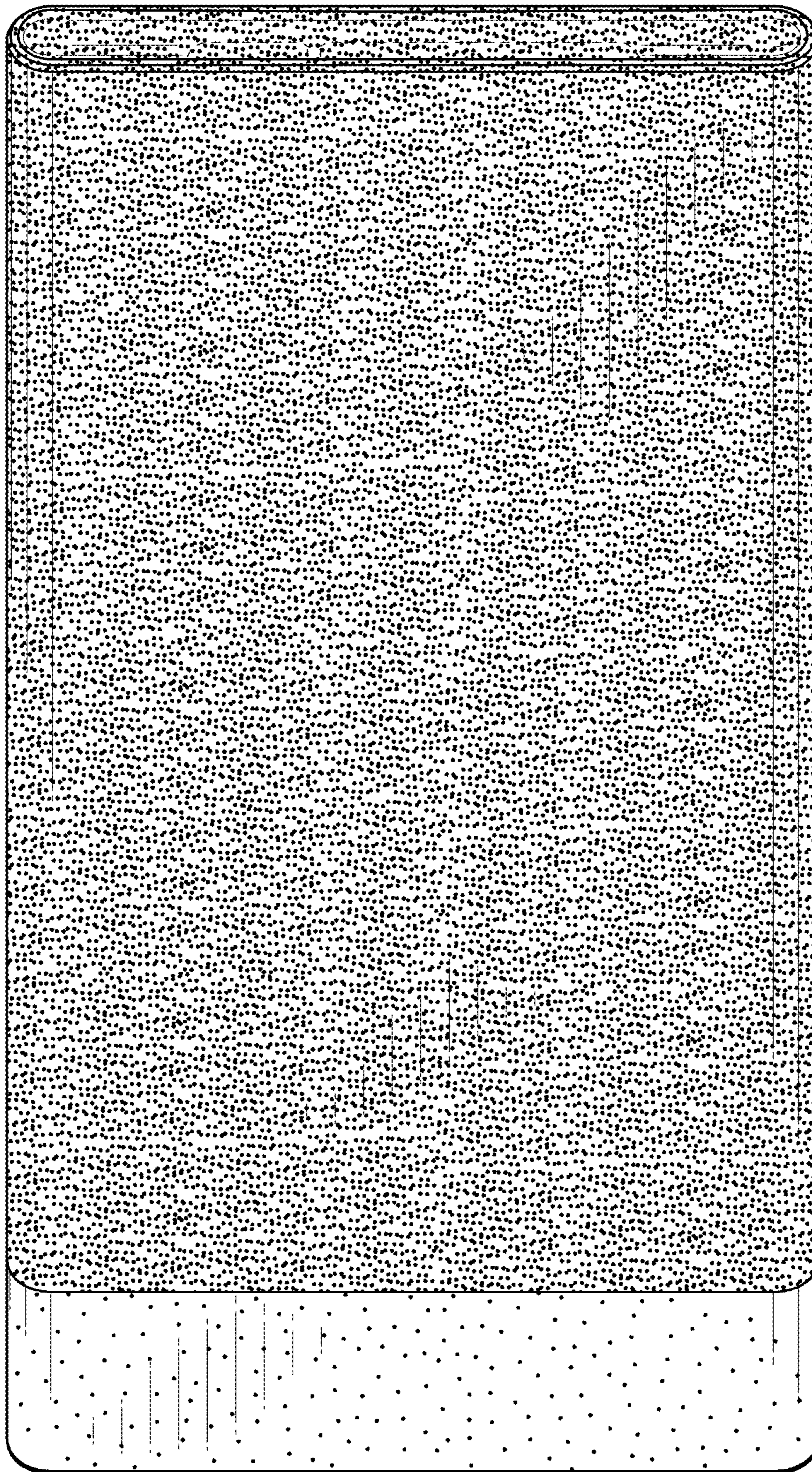


FIG. 5

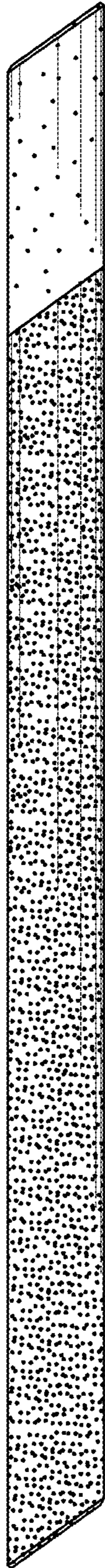


FIG. 6

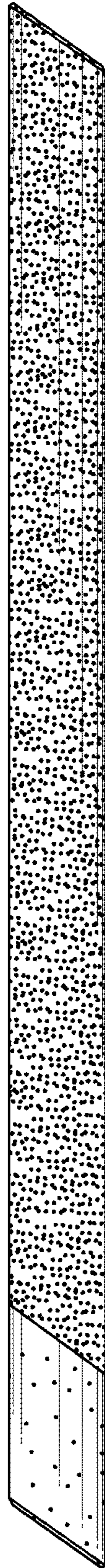


FIG. 7

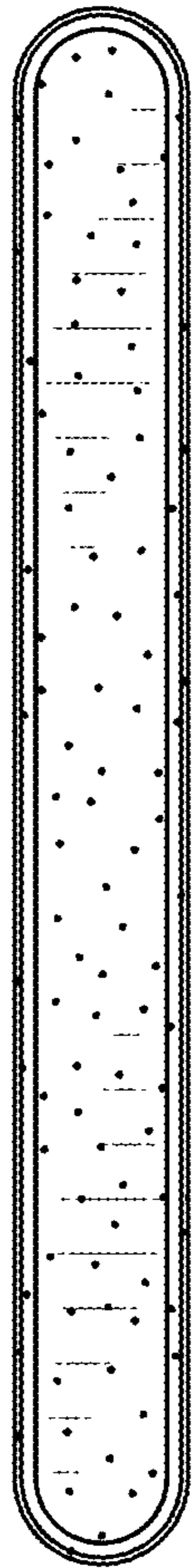


FIG. 8

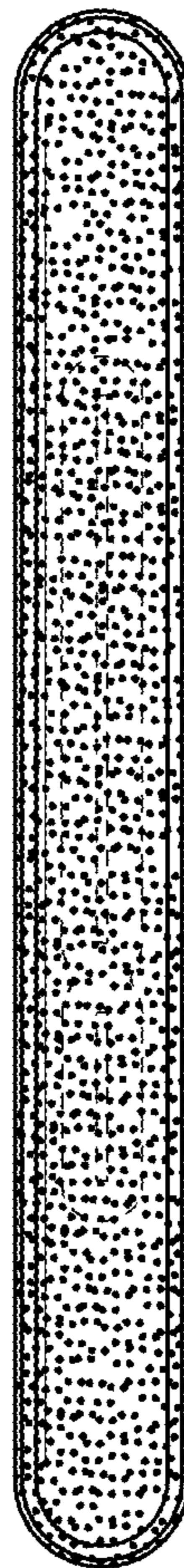


FIG. 9