

US00D867368S

(12) **United States Design Patent** (10) **Patent No.:** **US D867,368 S**  
**Magi et al.** (45) **Date of Patent:** **\*\* \*Nov. 19, 2019**

(54) **CARD PC**

(71) Applicant: **Intel Corporation**, Santa Clara, CA (US)

(72) Inventors: **Aleksander Magi**, Aloha, OR (US);  
**David M. Collins**, Portland, OR (US)

(73) Assignee: **Intel Corporation**, Santa Clara, CA (US)

(\*) Notice: This patent is subject to a terminal disclaimer.

(\*\*) Term: **15 Years**

(21) Appl. No.: **29/629,833**

(22) Filed: **Dec. 15, 2017**

**Related U.S. Application Data**

(62) Division of application No. 29/569,413, filed on Jun. 27, 2016, now Pat. No. Des. 808,972.

(51) **LOC (12) Cl.** ..... **14-02**

(52) **U.S. Cl.**  
USPC ..... **D14/436**; D14/341; D14/356

(58) **Field of Classification Search**  
USPC ..... D14/300-302, 308, 310, 312, 314, 341, D14/348-359, 363, 364, 365, 367, 432, D14/435, 436, 439, 474, 478, 483, 480.1, D14/480.3, 480.4, 496, 125, 240-242, D14/299, 250, 440, 498, 507, 509; D13/103, 107, 108, 110, 119, 123, 158, D13/162, 162.1, 163, 184, 199  
CPC ..... G11B 33/04; G11B 33/08; G11B 33/124; G11B 33/126; G11B 33/128; H05K 5/00; H05K 5/0213; G06F 1/16; G06F 1/1613; G06F 1/1633; G06F 1/181; G06F 1/187; G06F 1/183; G06F 1/184

See application file for complete search history.

(56) **References Cited**

U.S. PATENT DOCUMENTS

D298,326 S 11/1988 Kimura  
D298,327 S 11/1988 Kimura  
D311,737 S 10/1990 Westwood et al.  
D311,740 S \* 10/1990 Wagner ..... D14/358

(Continued)

OTHER PUBLICATIONS

“U.S. Appl. No. 29/569,413, Corrected Notice of Allowance dated Sep. 29, 2017”, 5 pgs.

(Continued)

*Primary Examiner* — Marie D. Fast Horse

(74) *Attorney, Agent, or Firm* — Schwegman Lundberg & Woessner, P.A.

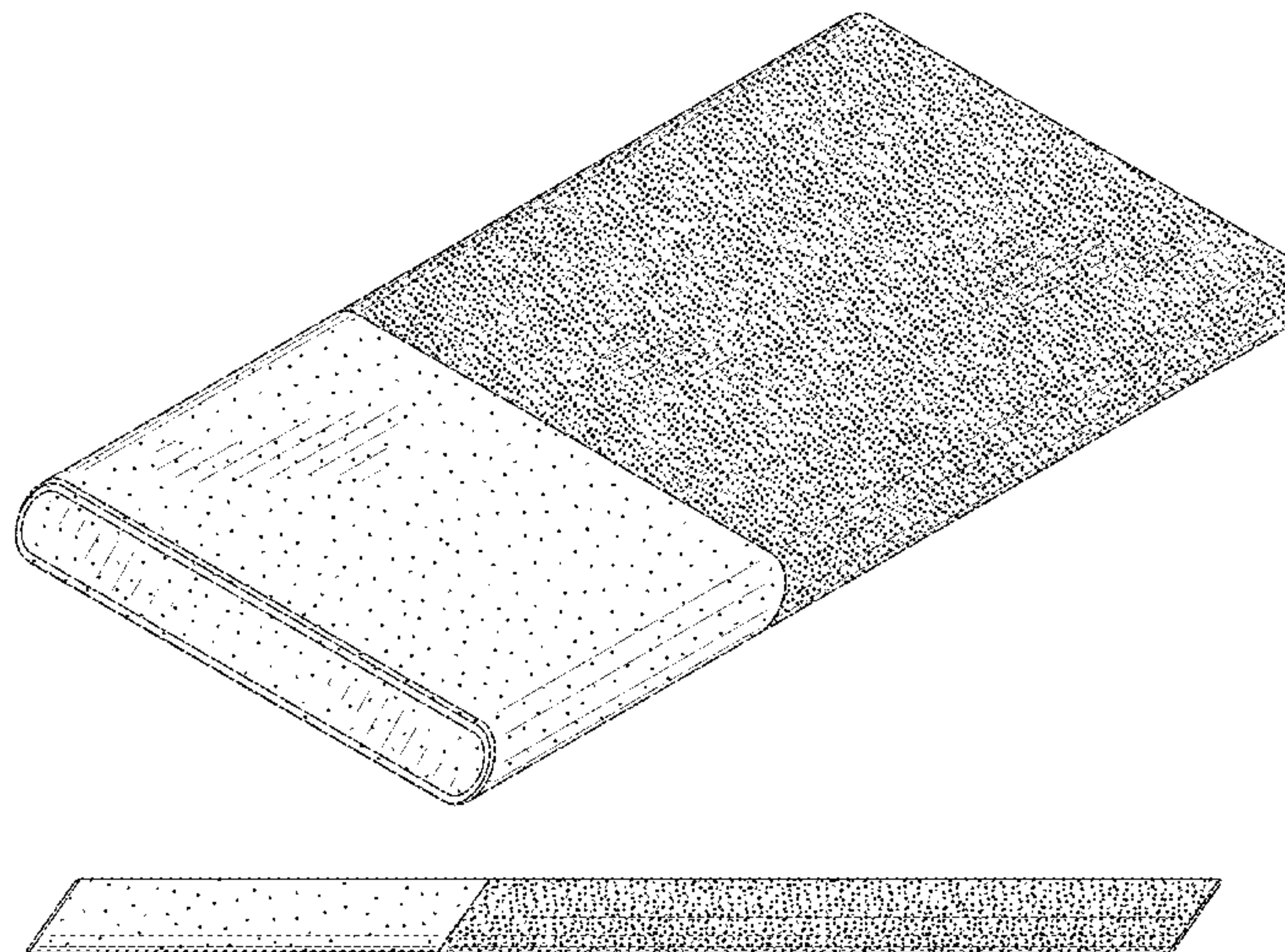
(57) **CLAIM**

The ornamental design for a card PC, as shown and described.

**DESCRIPTION**

FIG. 1 is an environmental view of the device with a docking station;  
FIG. 2 is a top perspective view of the device in FIG. 1;  
FIG. 3 is a bottom perspective view of the device in FIG. 1;  
FIG. 4 is a top planar view of the device in FIG. 1;  
FIG. 5 is a bottom planar view of the device in FIG. 1;  
FIG. 6 is a left side planar view of the device in FIG. 1;  
FIG. 7 is a right side planar view of the device in FIG. 1, and opposite of FIG. 6;  
FIG. 8 is a front planar view of the device in FIG. 1; and,  
FIG. 9 is a back planar view of the device in FIG. 1.  
The stipple shading is for illustrative purposes to indicate a contrast in appearance and should not be confused with surface ornamentation.  
Broken lines in the drawings are included for the purpose of illustrating environmental structure only and form no part of the claimed design.

**1 Claim, 7 Drawing Sheets**



(56)

References Cited

U.S. PATENT DOCUMENTS

D339,806 S \* 9/1993 Grinkus ..... D14/217  
 D419,537 S 1/2000 Rodriguez  
 D444,465 S \* 7/2001 Do ..... D14/341  
 D490,415 S 5/2004 Whitehorn et al.  
 D490,796 S 6/2004 Allen  
 D490,804 S 6/2004 Whitehorn et al.  
 D502,173 S \* 2/2005 Jung ..... D14/341  
 6,891,721 B2 5/2005 Huang  
 D520,502 S 5/2006 Xu et al.  
 D531,178 S 10/2006 Lee  
 D534,184 S 12/2006 Leija et al.  
 D539,814 S 4/2007 Andre et al.  
 D542,784 S 5/2007 Franck et al.  
 D545,818 S \* 7/2007 Hochendoner ..... D14/358  
 D556,185 S 11/2007 Motoishi  
 D568,310 S 5/2008 Franck et al.  
 D575,787 S 8/2008 Su  
 D578,119 S 10/2008 Camarena et al.  
 D585,077 S 1/2009 Sheba et al.  
 D586,740 S 2/2009 Song  
 D586,741 S 2/2009 Song  
 D590,334 S 4/2009 Tatehata et al.  
 D590,336 S 4/2009 Tatehata et al.  
 D590,769 S 4/2009 Tatehata et al.  
 D593,940 S 6/2009 Nomi et al.  
 D593,971 S 6/2009 Kim et al.  
 D593,972 S 6/2009 Cho  
 D596,634 S \* 7/2009 Wong ..... D14/358  
 D599,341 S 9/2009 Chen  
 D605,157 S 12/2009 Kim et al.  
 D611,470 S 3/2010 Andre et al.  
 D612,329 S 3/2010 Guccione et al.  
 D618,207 S 6/2010 Andre et al.  
 D626,552 S 11/2010 Andre et al.  
 D626,867 S 11/2010 Kuramoto  
 D631,458 S 1/2011 Liao et al.  
 D636,752 S 4/2011 Liao et al.  
 D638,385 S 5/2011 Wong  
 D642,999 S 8/2011 Wan et al.  
 D643,402 S \* 8/2011 Andre ..... D14/203.3  
 D646,222 S 10/2011 Tatehata et al.  
 D647,901 S 11/2011 Lin et al.  
 D648,690 S 11/2011 Snodgrass et al.  
 D656,496 S 3/2012 Andre et al.  
 D665,734 S 8/2012 Fitch et al.  
 D672,336 S 12/2012 Lister et al.  
 D677,623 S 3/2013 Fitch et al.  
 D678,191 S 3/2013 Fitch et al.  
 8,446,711 B2 5/2013 Liao et al.  
 D684,114 S 6/2013 Otani et al.  
 D695,316 S 12/2013 Akana et al.  
 D697,507 S 1/2014 Yu et al.  
 D697,911 S 1/2014 Mcmanigal et al.  
 D705,782 S 5/2014 Mcparland et al.  
 D706,778 S 6/2014 Kawasaki et al.  
 D706,779 S 6/2014 Kawasaki et al.  
 D709,507 S 7/2014 Mcparland et al.  
 D717,243 S 11/2014 Liu et al.  
 D719,506 S 12/2014 Jung et al.  
 D720,755 S 1/2015 Nokuo

D721,671 S 1/2015 Nam et al.  
 D722,035 S 2/2015 Nam et al.  
 D722,036 S 2/2015 Nam et al.  
 D724,080 S 3/2015 Lin  
 D729,727 S 5/2015 Lin  
 D732,023 S 6/2015 Asao  
 D740,828 S 10/2015 Bucsa  
 D743,398 S 11/2015 Smith et al.  
 D751,981 S 3/2016 Lin  
 D751,982 S 3/2016 Lin  
 D754,131 S 4/2016 Shim  
 9,312,633 B1 4/2016 Szeto et al.  
 D756,996 S 5/2016 Akana et al.  
 D763,188 S 8/2016 Park et al.  
 D768,594 S 10/2016 Szeto  
 D769,811 S 10/2016 Lin  
 D770,378 S 11/2016 Lin  
 D770,379 S 11/2016 Lin  
 D770,380 S 11/2016 Lin  
 D771,034 S 11/2016 Satzger et al.  
 D774,514 S \* 12/2016 Turksu ..... D14/480.5  
 D782,410 S \* 3/2017 Li ..... D13/103  
 D783,603 S 4/2017 Satzger et al.  
 D787,443 S \* 5/2017 Chiang ..... D13/110  
 D792,409 S 7/2017 Shim  
 D806,089 S \* 12/2017 Shim ..... D14/480.5  
 D808,972 S \* 1/2018 Magi ..... D14/436  
 D811,391 S \* 2/2018 Behar ..... D14/349  
 D813,874 S \* 3/2018 Magi ..... D14/434  
 D814,460 S \* 4/2018 Behar ..... D14/349  
 D815,099 S \* 4/2018 Magi ..... D14/356  
 D817,269 S \* 5/2018 Sukphist ..... D13/108  
 D824,381 S \* 7/2018 Collins ..... D14/315  
 D824,897 S \* 8/2018 Collins ..... D14/315  
 D829,719 S \* 10/2018 Shim ..... D14/435  
 D833,411 S \* 11/2018 Castle ..... D14/155  
 D835,050 S \* 12/2018 Wilcox ..... D13/152  
 D839,226 S \* 1/2019 Christie ..... D14/125  
 2004/0190192 A1 \* 9/2004 Huang ..... G11B 25/043  
 360/99.13  
 2005/0227737 A1 10/2005 Moon et al.  
 2009/0117412 A1 5/2009 Koh et al.  
 2011/0254509 A1 10/2011 Boczer et al.  
 2012/0206088 A1 8/2012 Park  
 2013/0300697 A1 \* 11/2013 Kim ..... G06F 1/1626  
 345/173

OTHER PUBLICATIONS

“U.S. Appl. No. 29/569,413, Notice of Allowance dated Sep. 15, 2017”, 14 pgs.  
 “U.S. Appl. No. 29/569,413, Response filed Aug. 11, 2017 to Restriction Requirement dated Jun. 12, 2017”, 5 pgs.  
 “U.S. Appl. No. 29/569,413, Restriction Requirement dated Jun. 12, 2017”, 4 pgs.  
 “Intel Showcases Compute Card Solutions With Partners At Computex”, [Online] retrieved from the internet: <<https://newsroom.intel.com/news/intel-showcases-compute-card-solutions-partners-computex-2017/>>, (May 30, 2017).  
 “U.S. Appl. No. 29/629,837, Response filed Jun. 17, 2019 to Non-Final Office Action dated Mar. 18, 2019”, 6 pgs.

\* cited by examiner



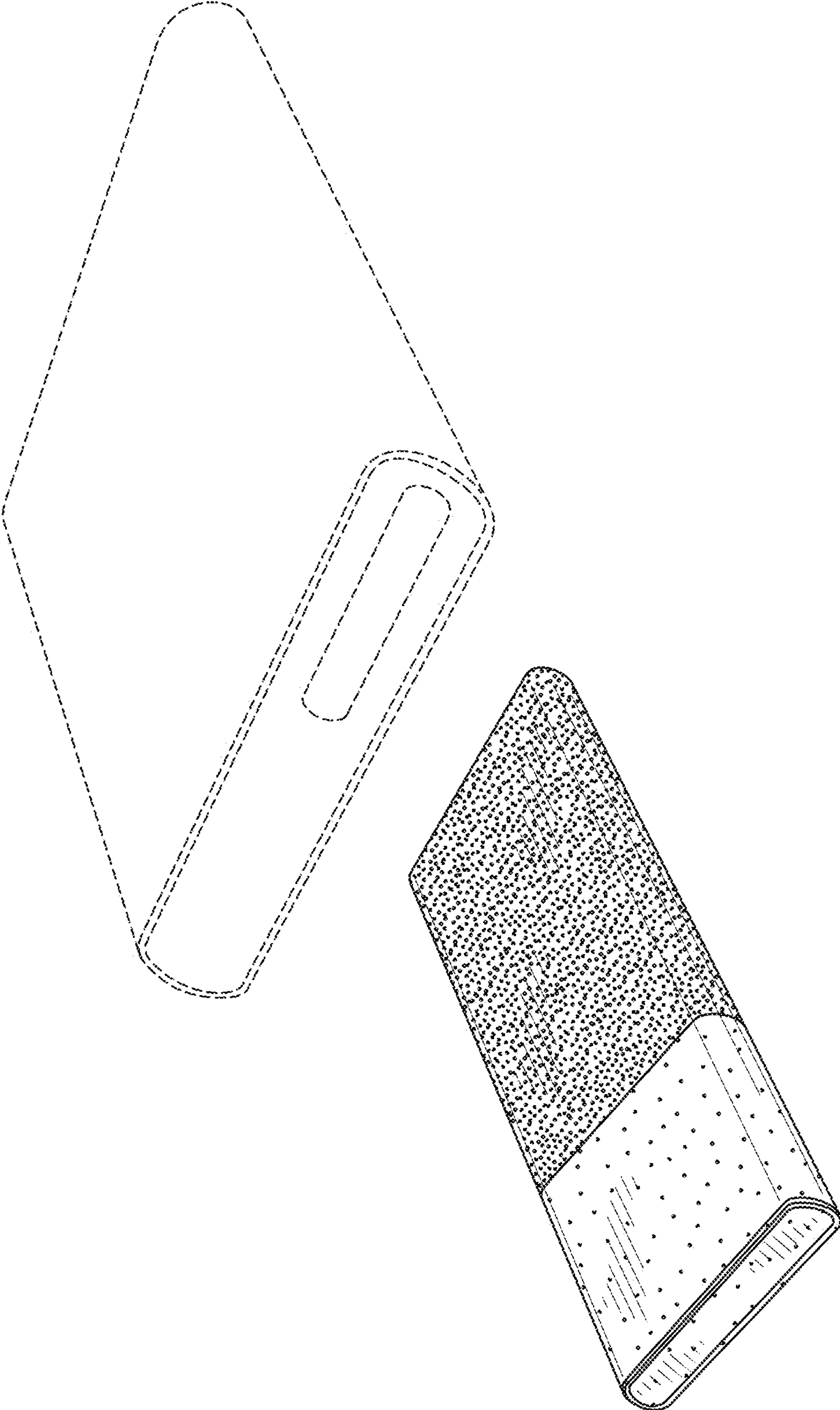


FIG. 1

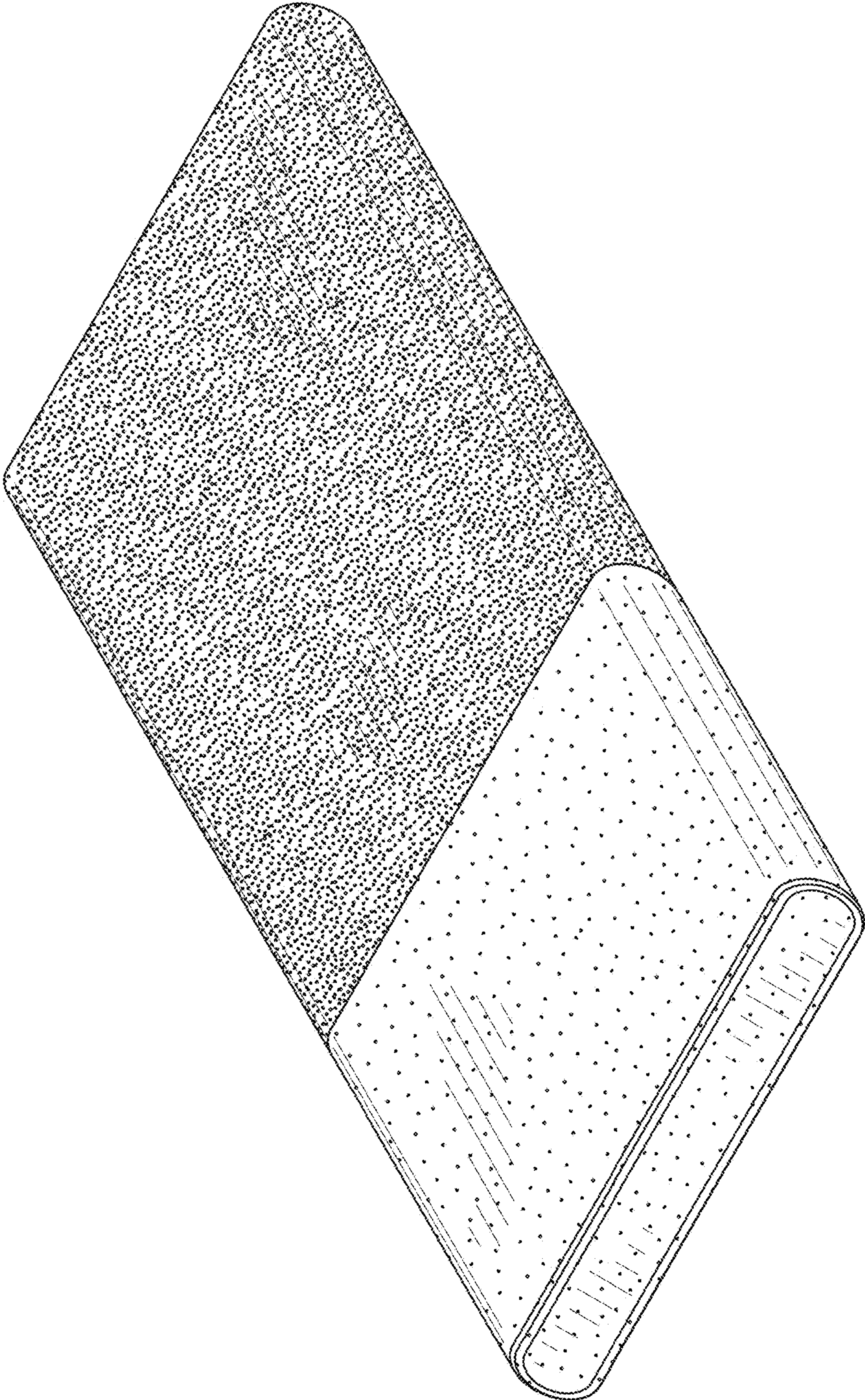


FIG. 2



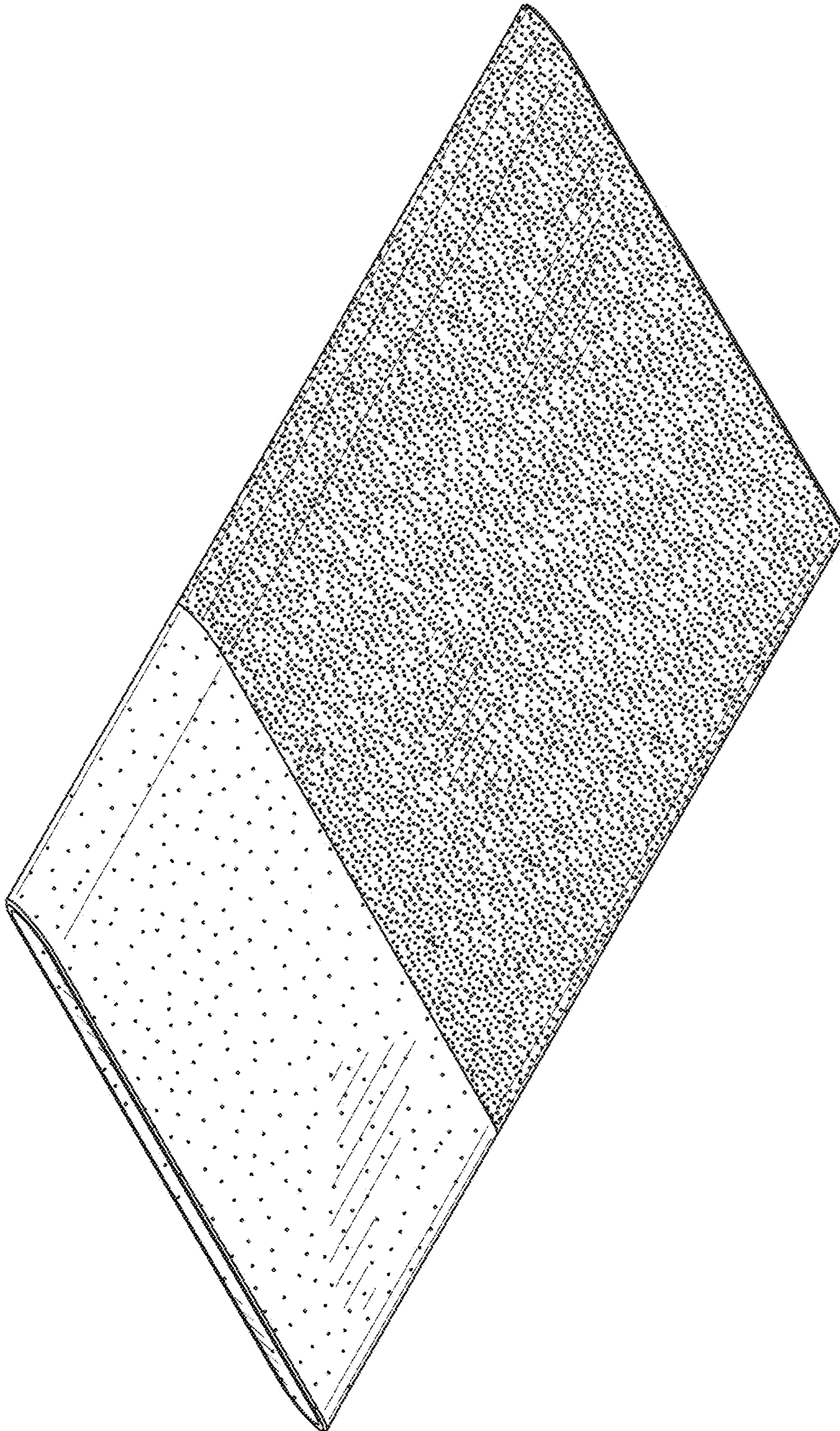


FIG. 3



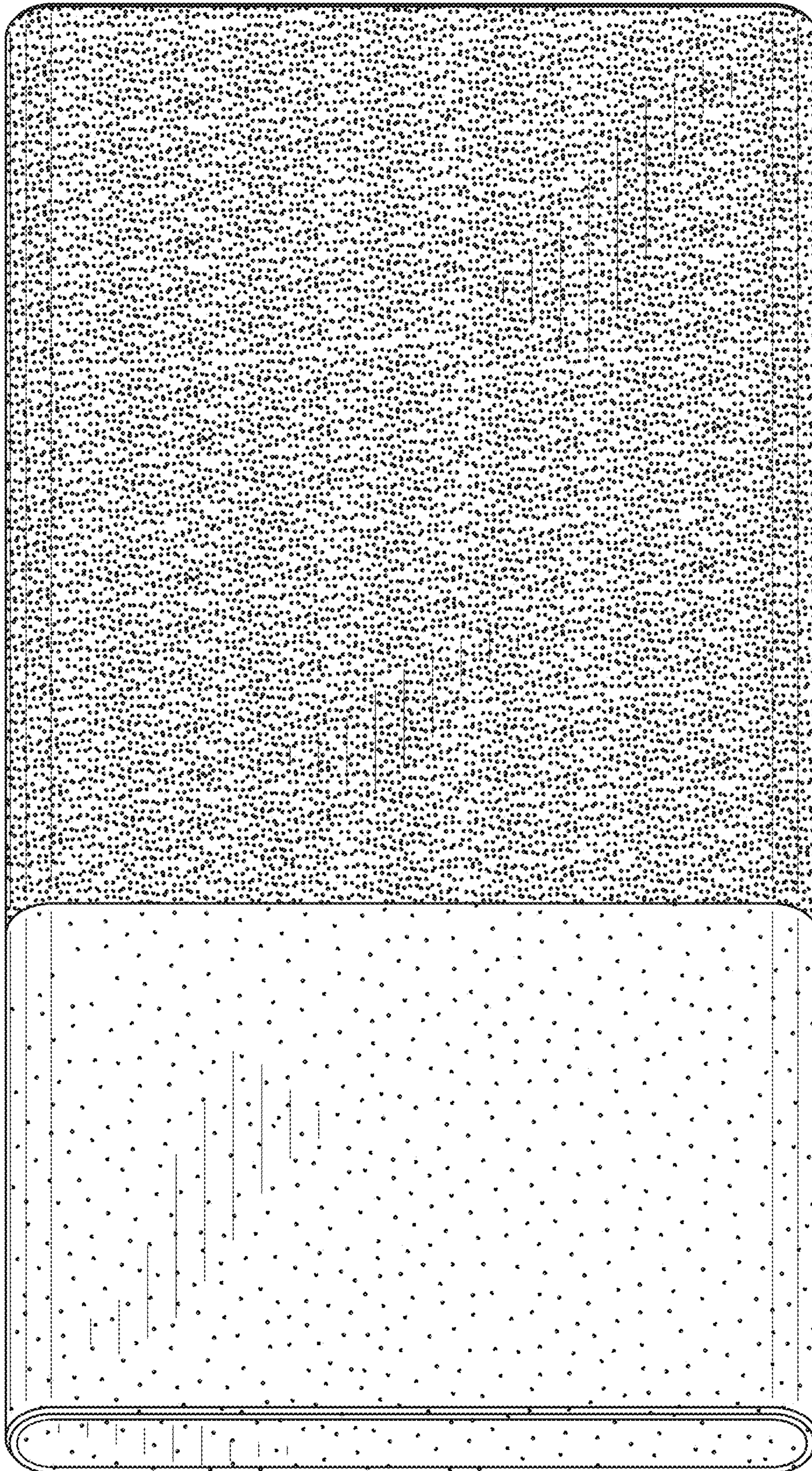


FIG. 4



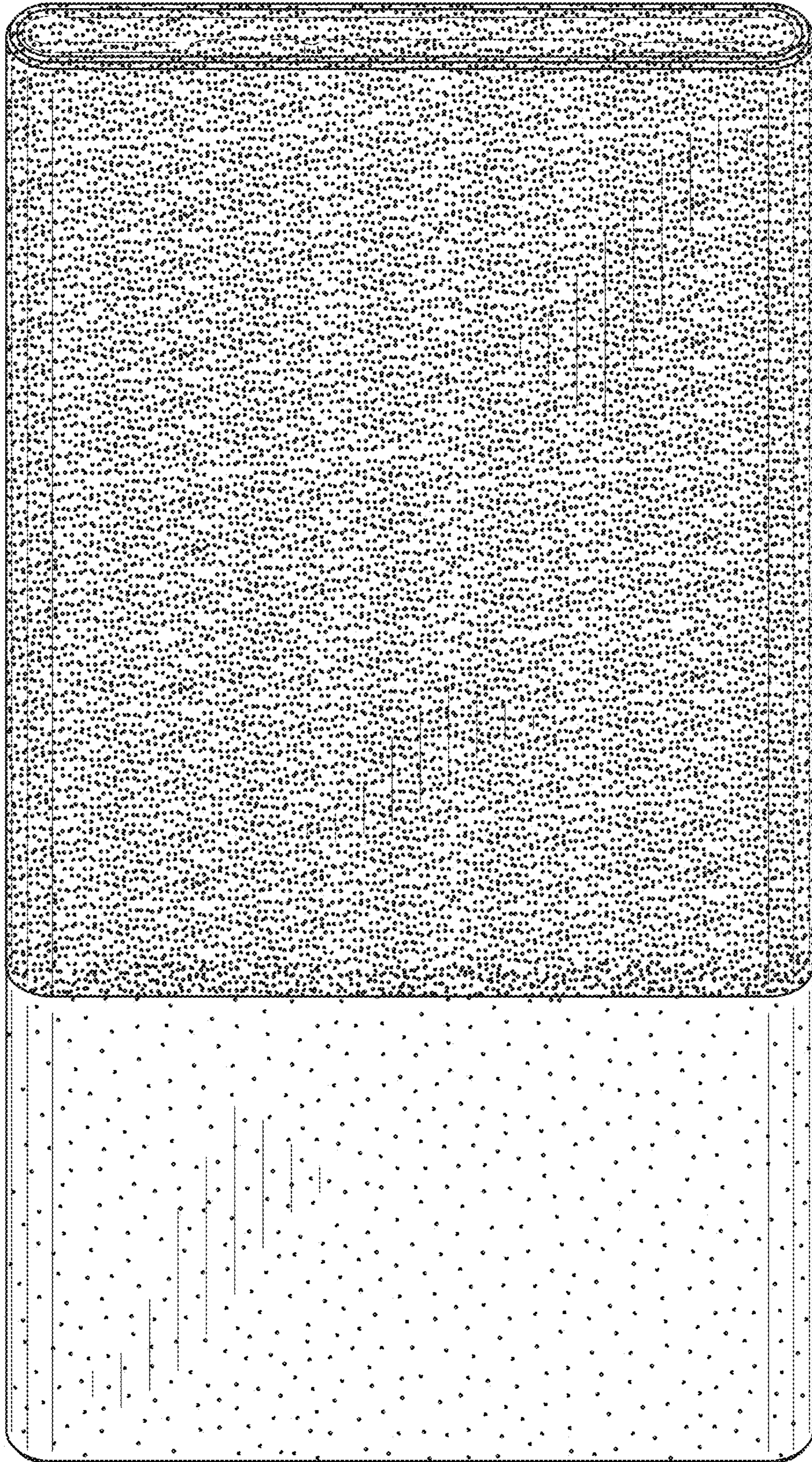


FIG. 5



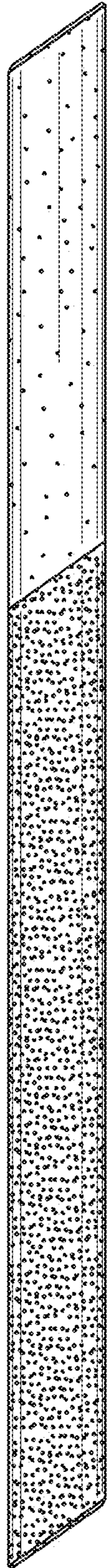


FIG. 6

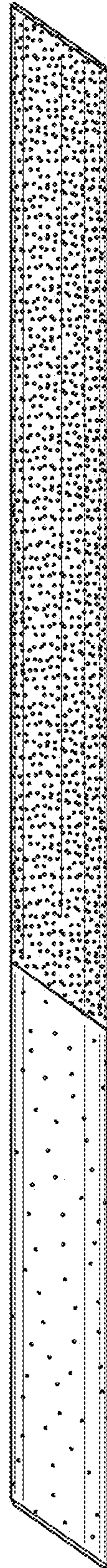


FIG. 7



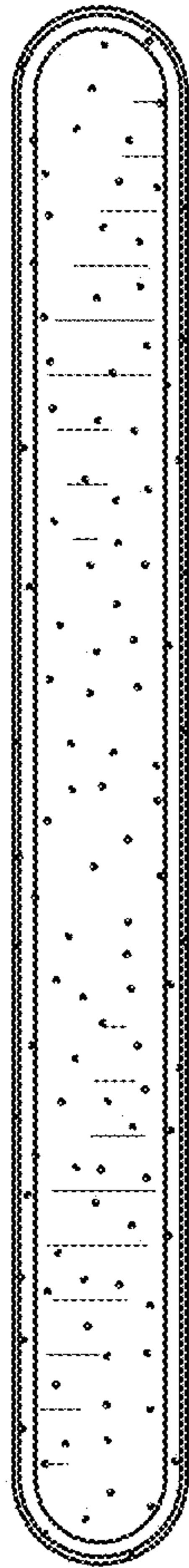


FIG. 8

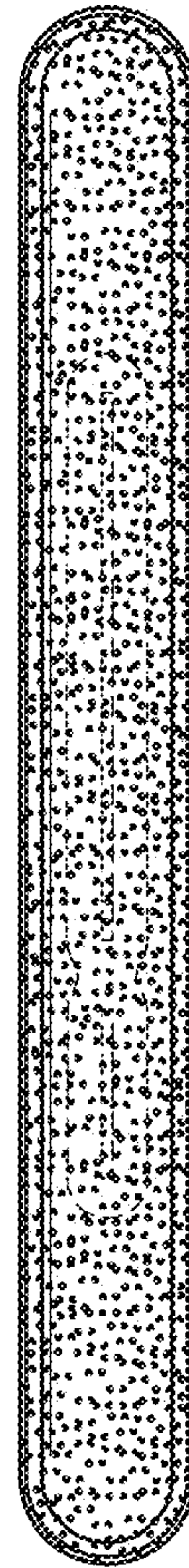


FIG. 9