



US00D867366S

(12) **United States Design Patent** (10) **Patent No.:** **US D867,366 S**
Yoshioka et al. (45) **Date of Patent:** **** Nov. 19, 2019**

(54) **SCANNER**

(71) Applicant: **SEIKO EPSON CORPORATION**,
Tokyo (JP)

(72) Inventors: **Ichiro Yoshioka**, Torrance, CA (US);
Makoto Hoshina, Matsumoto (JP);
Yoriko Hama, Chino (JP); **Takashi Makino**, Tokyo (JP)

(73) Assignee: **SEIKO EPSON CORPORATION**,
Tokyo (JP)

(**) Term: **15 Years**

(21) Appl. No.: **29/656,811**

(22) Filed: **Jul. 17, 2018**

(30) **Foreign Application Priority Data**

Jan. 18, 2018 (JP) 2018-000769

Jan. 18, 2018 (JP) 2018-000770

(51) **LOC (12) Cl.** **14-02**

(52) **U.S. Cl.**
USPC **D14/422**

(58) **Field of Classification Search**

USPC D14/421-425; D18/40, 36-39, 41,
D18/44-56; 235/462, 455, 470, 462.43,
235/482, 483; 358/474, 486, 488, 496,
358/498, 452, 449, 451, 453.1, 1.13, 497,
358/296, 494, 492, 487, 482, 473;
318/685, 696; 355/81, 75; 399/405, 367,
399/379, 380; 382/217; 715/209, 222,
715/226, 274; 400/613, 613.1-613.4,
400/690.1-690.4, 691-694; D15/146;
347/108

CPC H04N 1/00; H04N 1/12; H04N 1/00013;
H04N 1/00015; H04N 1/00018; H04N
1/00026; H04N 1/00557; H04N 1/00564;
H04N 1/00567; H04N 1/0057; H04N
1/00572; H04N 1/00586; H04N 1/00588;
H04N 1/00591; H04N 1/00594; H04N

(Continued)

(56) **References Cited**

U.S. PATENT DOCUMENTS

D186,474 S * 10/1959 Robbins D18/39

4,550,250 A * 10/1985 Mueller G06F 3/042
178/18.09

(Continued)

Primary Examiner — Susan Moon Lee

(57) **CLAIM**

The ornamental design for a scanner, as shown and described.

DESCRIPTION

FIG. 1 is a front, top and right side perspective view of a first embodiment of a scanner showing our new design;

FIG. 2 is a rear, bottom and left side perspective view thereof;

FIG. 3 is a front view thereof;

FIG. 4 is a rear view thereof;

FIG. 5 is a top plan view thereof;

FIG. 6 is a bottom plan view thereof;

FIG. 7 is a right side view thereof;

FIG. 8 is a left side view thereof;

FIG. 9 is a front, top and right side perspective view of a second embodiment of a scanner showing our new design;

FIG. 10 is a rear, bottom and left side perspective view thereof;

FIG. 11 is a front view thereof;

FIG. 12 is a rear view thereof;

FIG. 13 is a top plan view thereof;

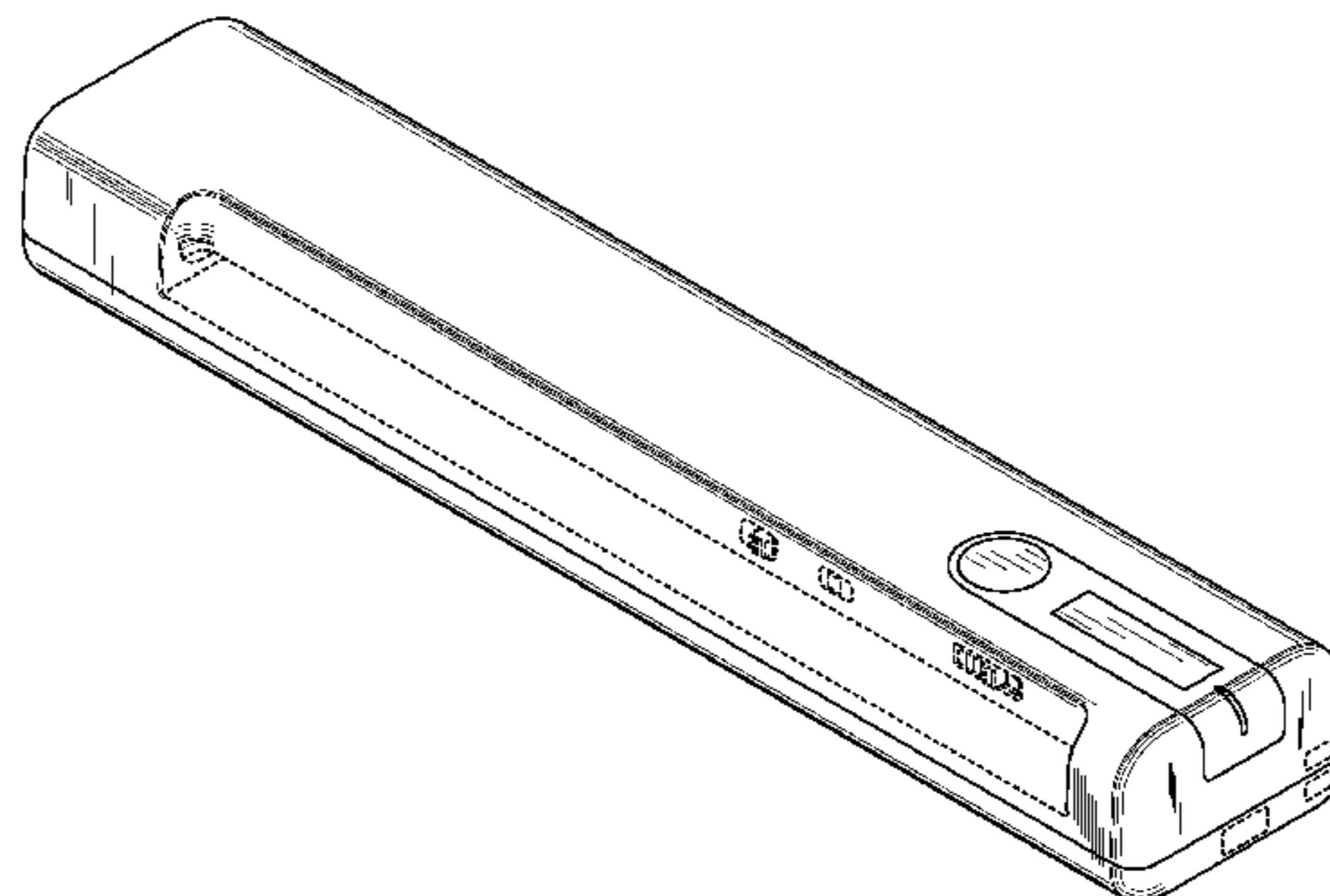
FIG. 14 is a bottom plan view thereof;

FIG. 15 is a right side view thereof; and,

FIG. 16 is a left side view thereof.

The broken lines depict unclaimed features of the scanner that form no part of the design claim but are shown for illustrative purposes.

1 Claim, 16 Drawing Sheets



(58) **Field of Classification Search**

CPC 1/00596; H04N 1/00604; H04N 1/00519;
 H04N 1/00559; H04N 1/1013; H04N
 1/10; H04N 1/00551; H04N 1/00278;
 H04N 2201/0456; H04N 2201/0446;
 H04N 2201/00; H04N 2201/0094; G03G
 15/0142; G03G 15/605; G03G 15/602;
 B65H 5/26; B65H 5/30; B65H 7/00;
 B65H 2402/515; B65H 2402/31; B65H
 2511/20; B65H 2511/414; B65H
 2511/00194; B65H 2511/00198; B65H
 2511/00202; B65H 2511/00206; B65H
 2301/00; B65H 2220/04; B65H 3/5261;
 B65H 2513/42; B65H 2801/39; B65H
 2801/31; B41J 2/32; B41J 11/0095; B41J
 25/316

See application file for complete search history.

(56) **References Cited**

U.S. PATENT DOCUMENTS

D286,640 S * 11/1986 Miyazaki D18/54
 D290,959 S * 7/1987 Ooie D14/462
 D295,416 S * 4/1988 Glaberson D14/422
 D302,812 S * 8/1989 Hiroki D14/422
 D311,756 S * 10/1990 Groswith, III D19/32
 D314,212 S * 1/1991 Komada D18/36
 D315,172 S * 3/1991 Lampe D18/54
 D329,862 S * 9/1992 Watanabe D16/208
 D331,753 S * 12/1992 Itou D14/462
 5,236,265 A * 8/1993 Saito B41J 3/36
 312/208.1
 D339,372 S * 9/1993 Kando D18/50
 D339,576 S * 9/1993 Sawada D14/462
 D340,232 S * 10/1993 Yoshida D14/422
 D343,381 S * 1/1994 Inukai D13/103

D345,353 S * 3/1994 Dietrich D14/462
 D350,343 S * 9/1994 Saito D14/422
 D361,084 S * 8/1995 Yamanaka D18/50
 D361,554 S * 8/1995 Mochizuki D14/422
 D361,758 S * 8/1995 Youens D14/434
 D362,267 S * 9/1995 Yamanaka D18/50
 D363,733 S * 10/1995 Sugimoto D18/50
 D366,436 S * 1/1996 Blottko D10/97
 D366,650 S * 1/1996 McKinnon, Jr. D14/422
 D370,008 S * 5/1996 Cheng D14/422
 5,570,962 A * 11/1996 Suzuki B41J 2/32
 347/108
 D401,614 S * 11/1998 Moriyama D18/36
 D401,617 S * 11/1998 Miyazawa D18/40
 5,829,893 A * 11/1998 Kinoshita B41J 3/36
 400/88
 D407,712 S * 4/1999 Hasegawa D14/422
 D415,128 S * 10/1999 Kitera D14/422
 D424,608 S * 5/2000 Yorifuji D18/40
 D435,849 S * 1/2001 Tasi D14/422
 D440,246 S * 4/2001 Yin D18/50
 D558,261 S * 12/2007 Hong D18/50
 D563,413 S * 3/2008 Kuroda D14/422
 D579,938 S * 11/2008 Romanoff D14/422
 D636,776 S * 4/2011 Kuroda D14/422
 D644,265 S * 8/2011 Inada D18/50
 D686,212 S * 7/2013 Yamano D14/422
 8,587,845 B2 * 11/2013 Yonemura H04N 1/00535
 358/473
 D709,071 S * 7/2014 Kato D14/422
 D714,290 S * 9/2014 Tanaka D14/422
 D714,291 S * 9/2014 Tanaka D14/422
 D717,799 S * 11/2014 Lee D14/420
 D723,035 S * 2/2015 Taniho D14/422
 D777,248 S * 1/2017 Oguchi D18/50
 2004/0012922 A1 * 1/2004 Kamphuis G06F 1/1632
 361/679.02
 2010/0211709 A1 * 8/2010 Chen G06F 3/023
 710/73

* cited by examiner

FIG.1

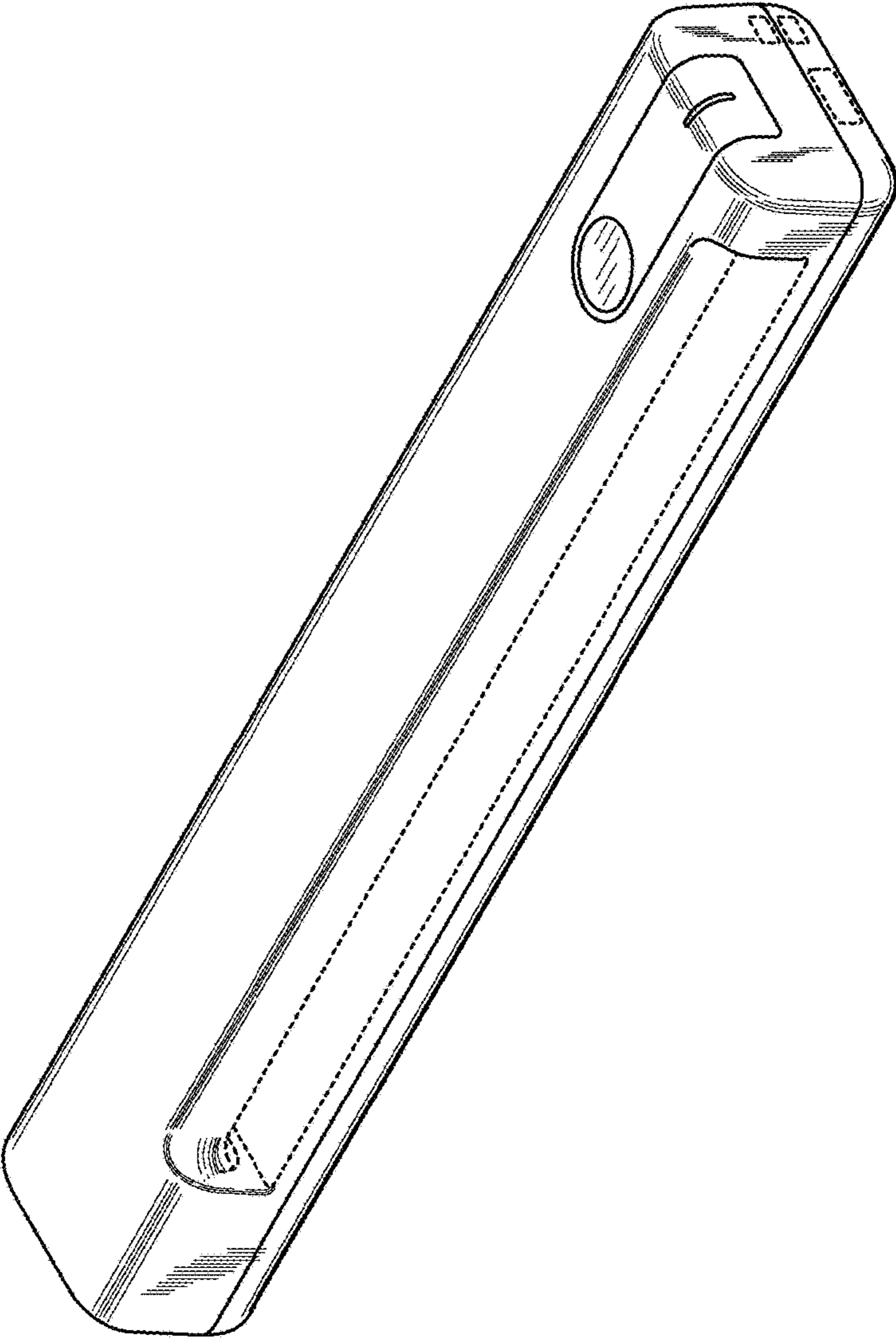


FIG.2

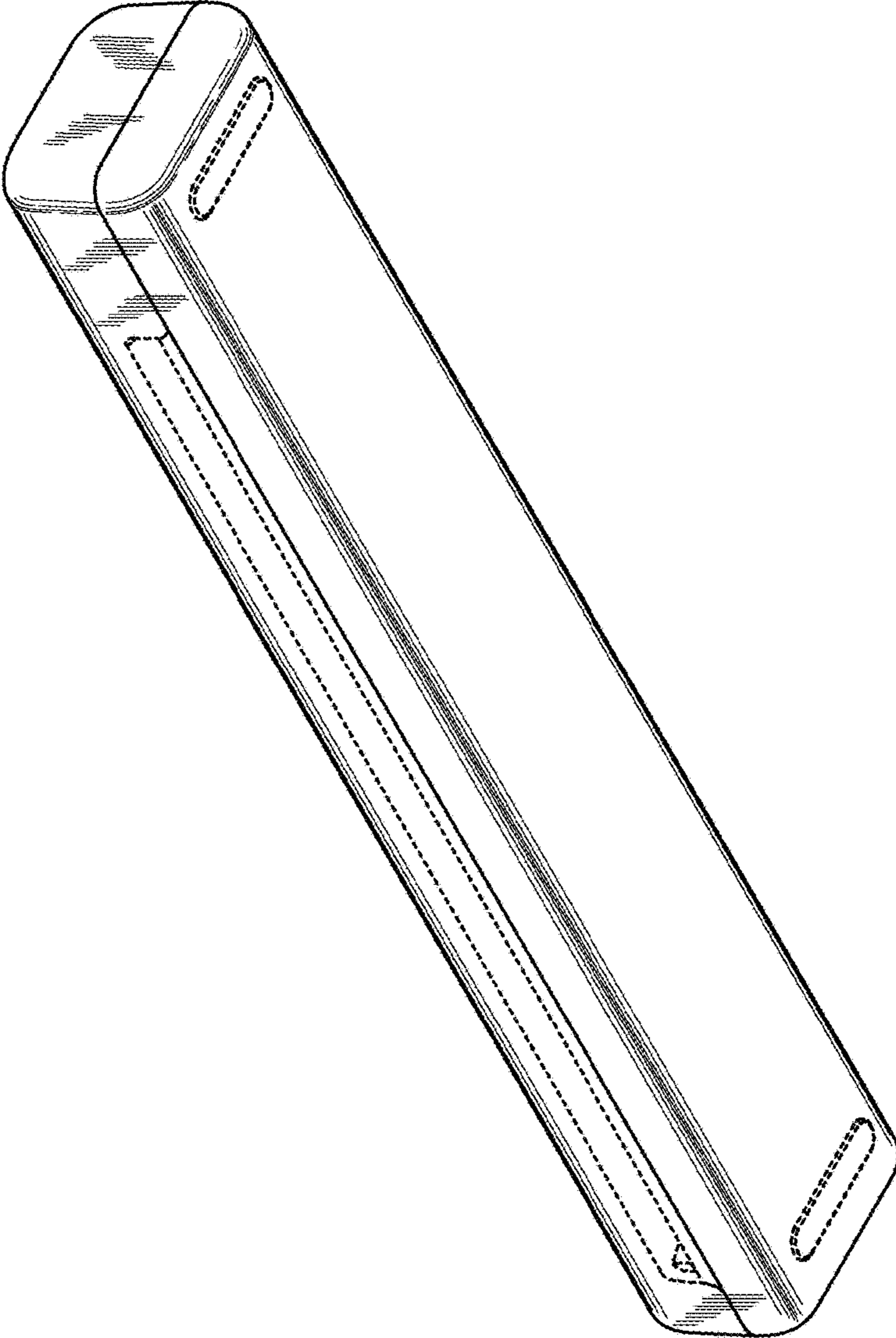


FIG.3

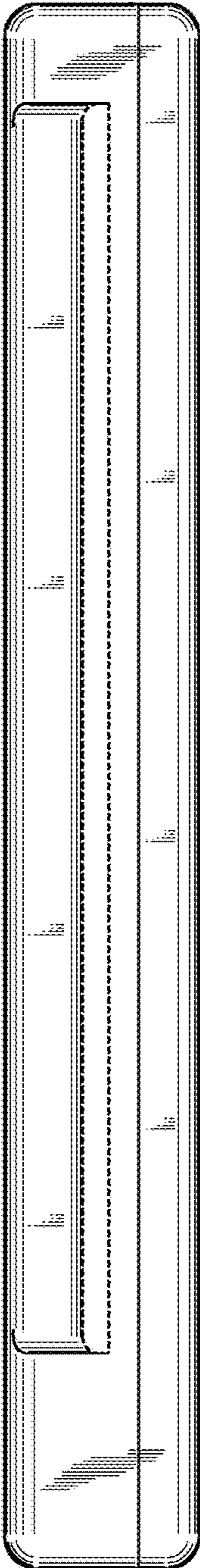


FIG.4

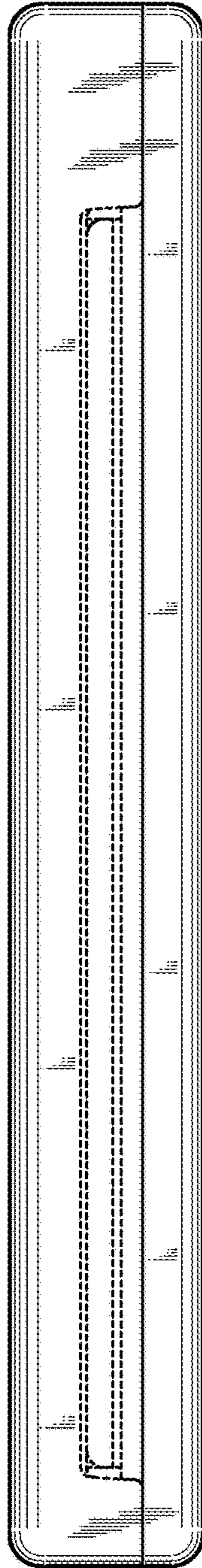


FIG.5

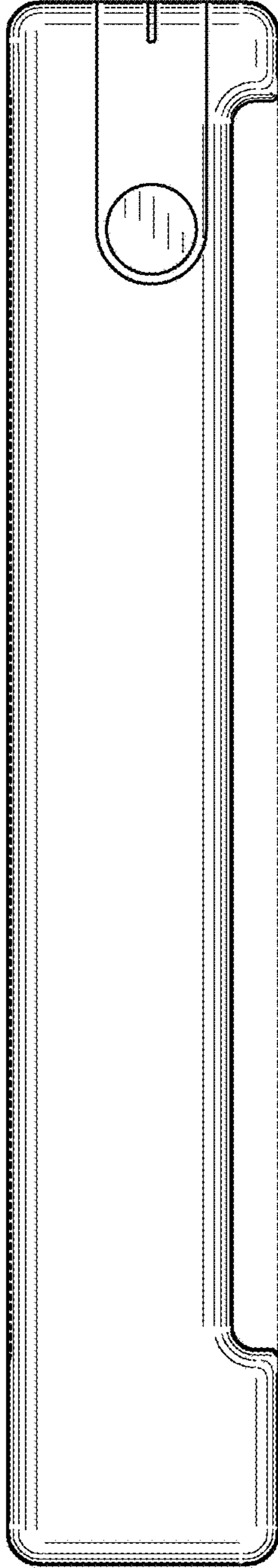


FIG.6

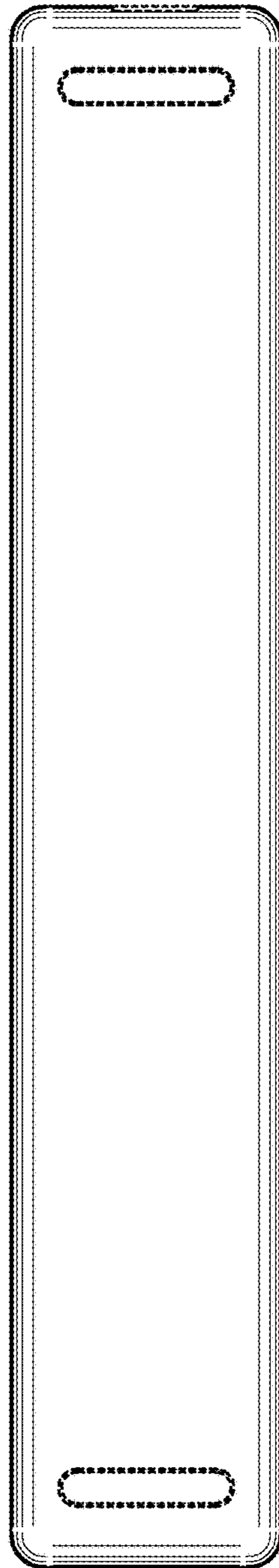


FIG.7

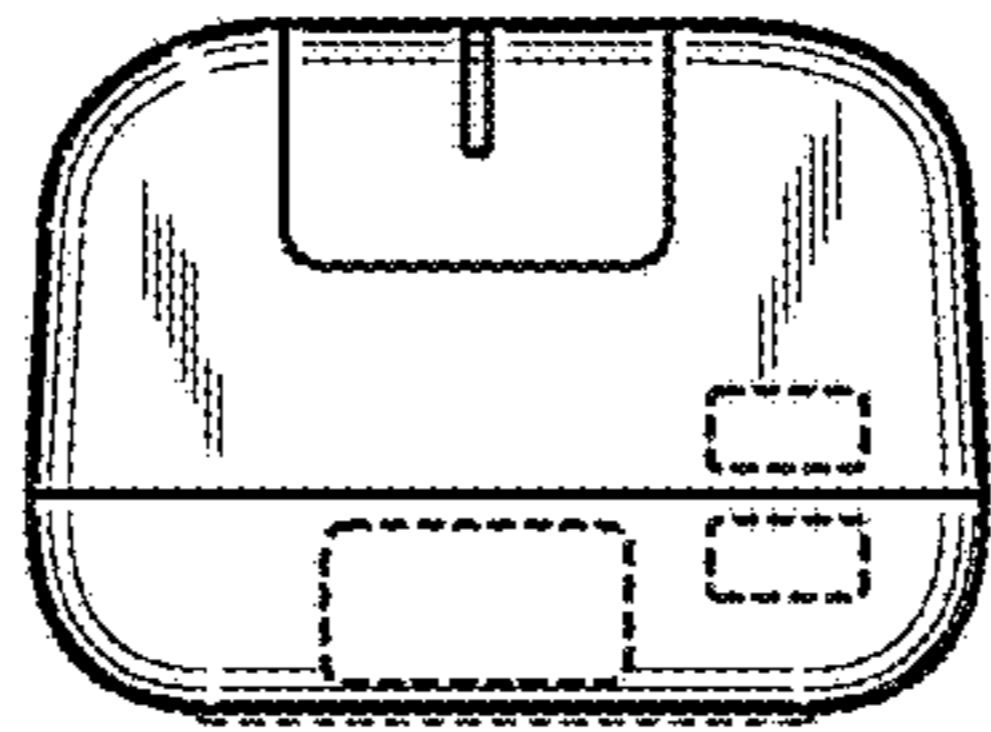


FIG.8

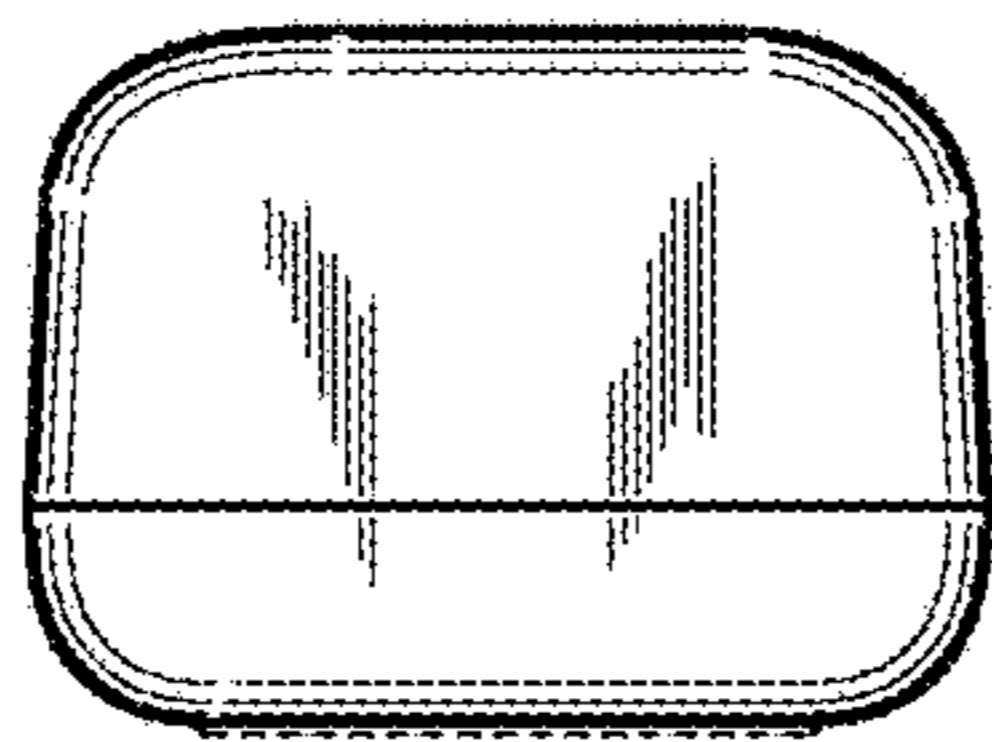


FIG. 9

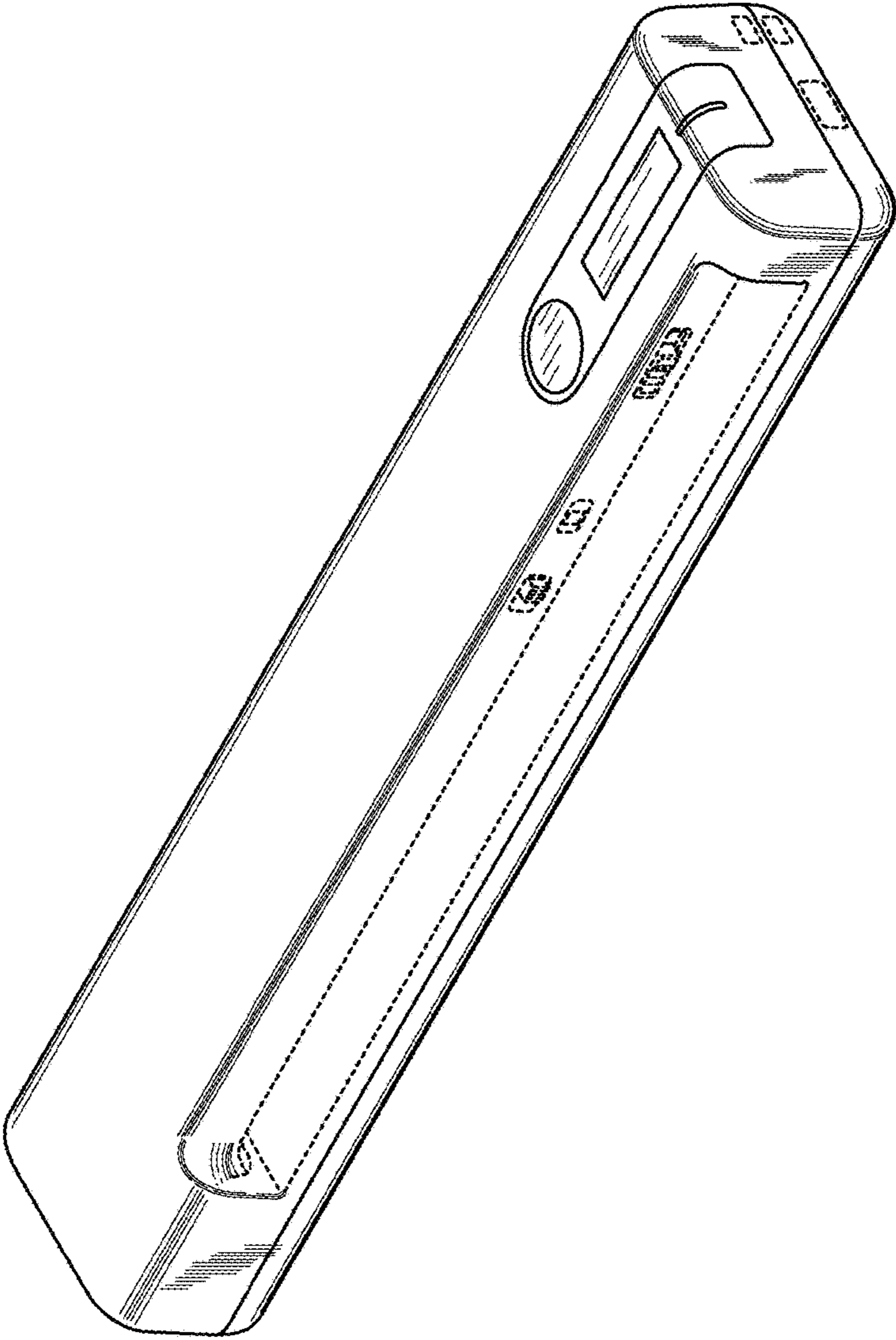


FIG.10

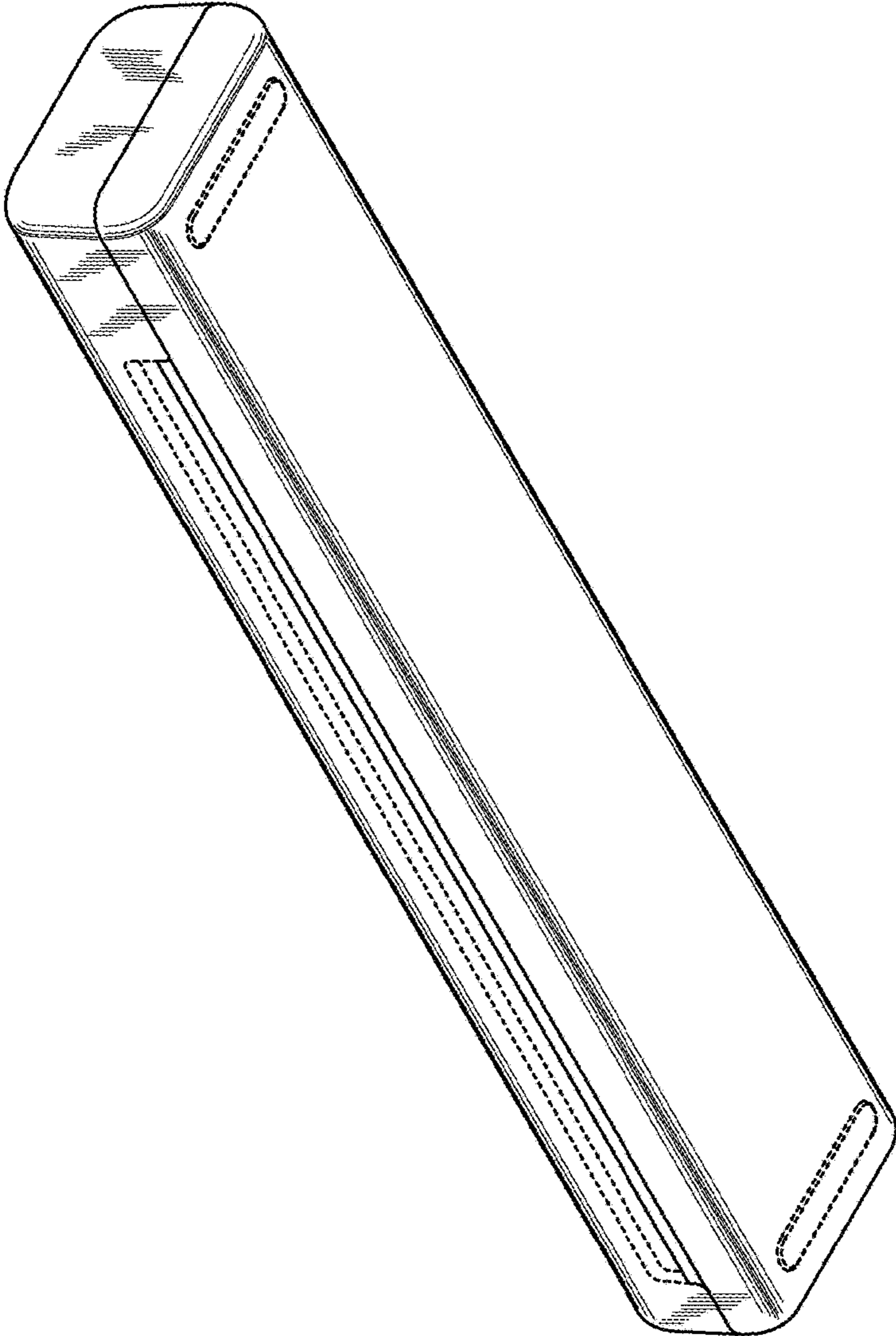


FIG.11

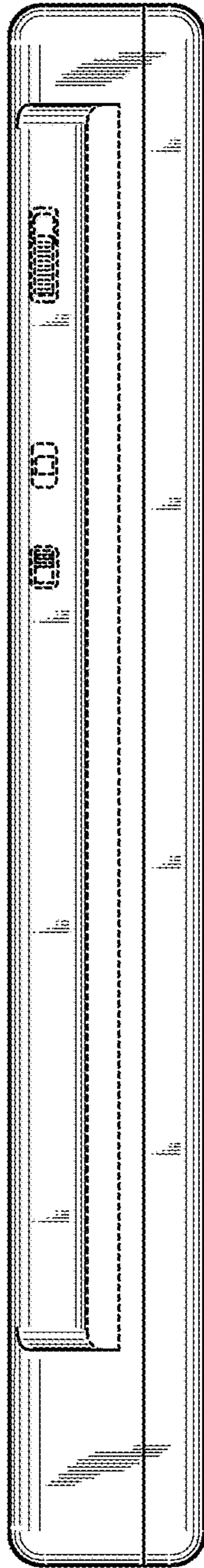


FIG.12

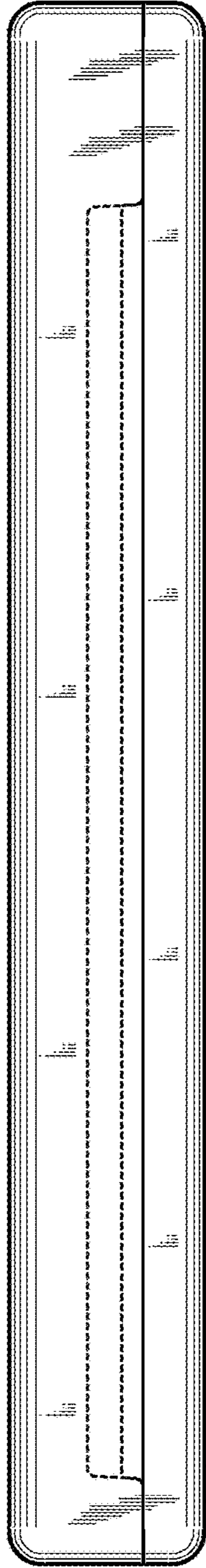


FIG.13

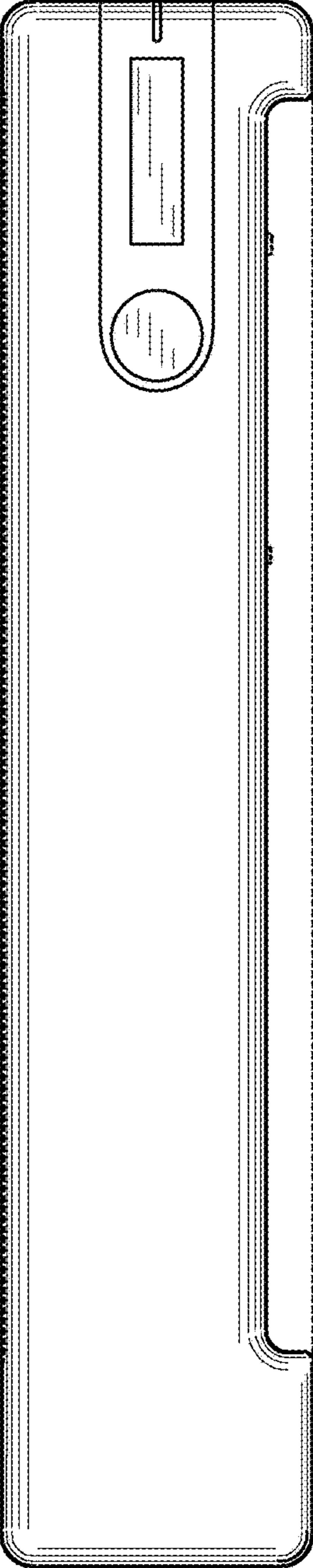


FIG.14

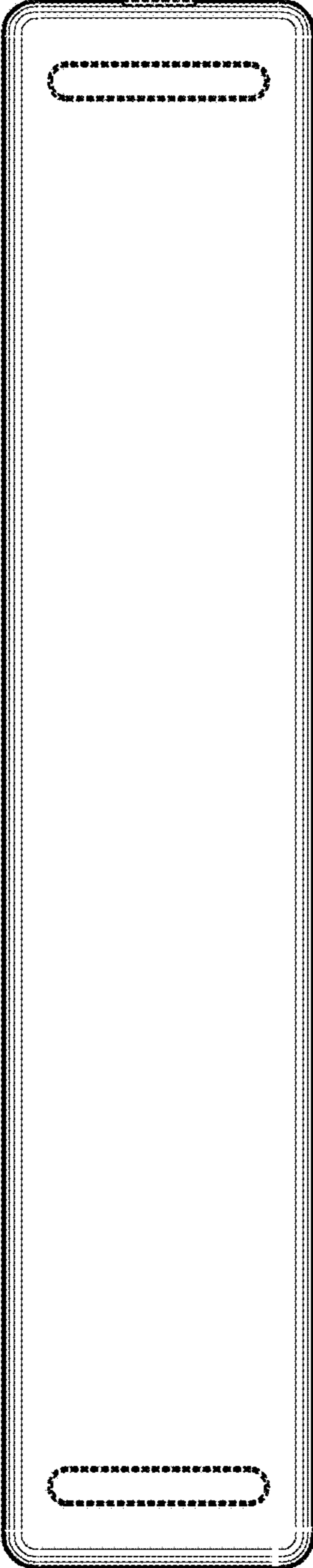


FIG. 15

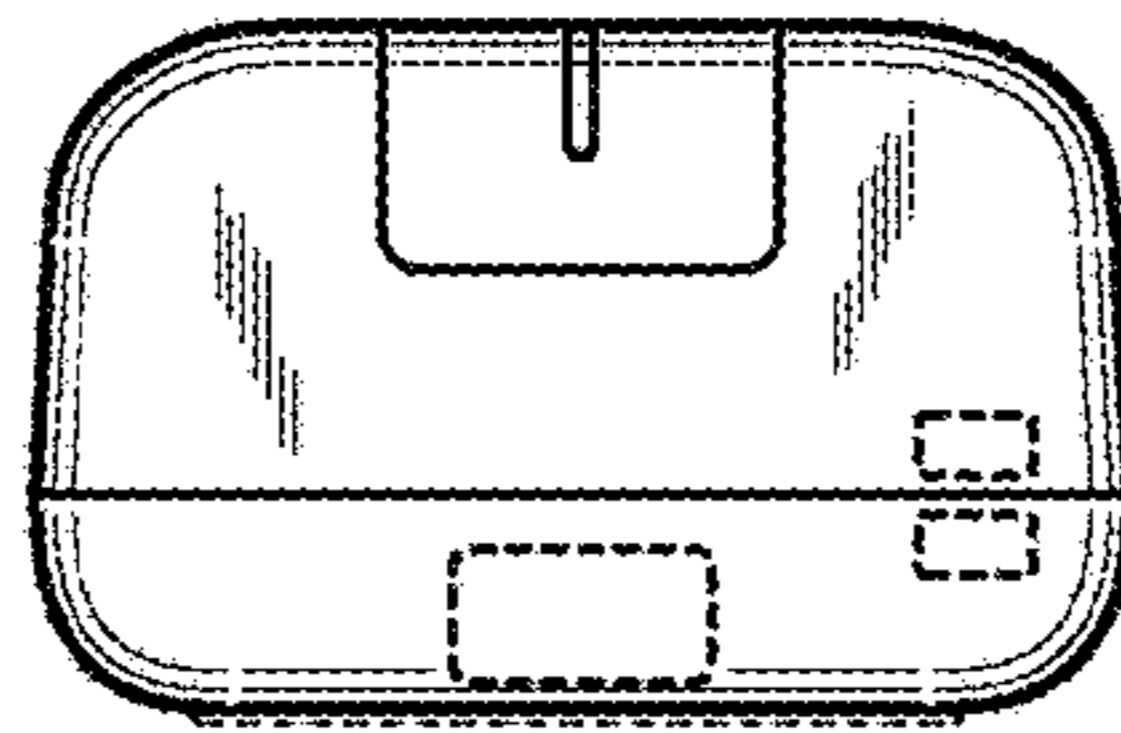


FIG. 16

