



US00D867365S

(12) **United States Design Patent**  
**Corigliano**

(10) **Patent No.:** **US D867,365 S**

(45) **Date of Patent:** **\*\* Nov. 19, 2019**

(54) **PORTABLE COMPUTING DEVICE  
CONTROLLER DOCKING STATION**

(71) Applicant: **Bryan Corigliano**, Yulee, FL (US)

(72) Inventor: **Bryan Corigliano**, Yulee, FL (US)

(\*\*) Term: **15 Years**

(21) Appl. No.: **29/640,211**

(22) Filed: **Mar. 12, 2018**

**Related U.S. Application Data**

(63) Continuation-in-part of application No. 14/540,008, filed on Nov. 12, 2014, now Pat. No. 9,914,060, which is a continuation-in-part of application No. 13/549,769, filed on Jul. 16, 2012, now abandoned.

(51) **LOC (12) Cl.** ..... **14-02**

(52) **U.S. Cl.**  
USPC ..... **D14/401**; D14/434; D14/252; D21/333

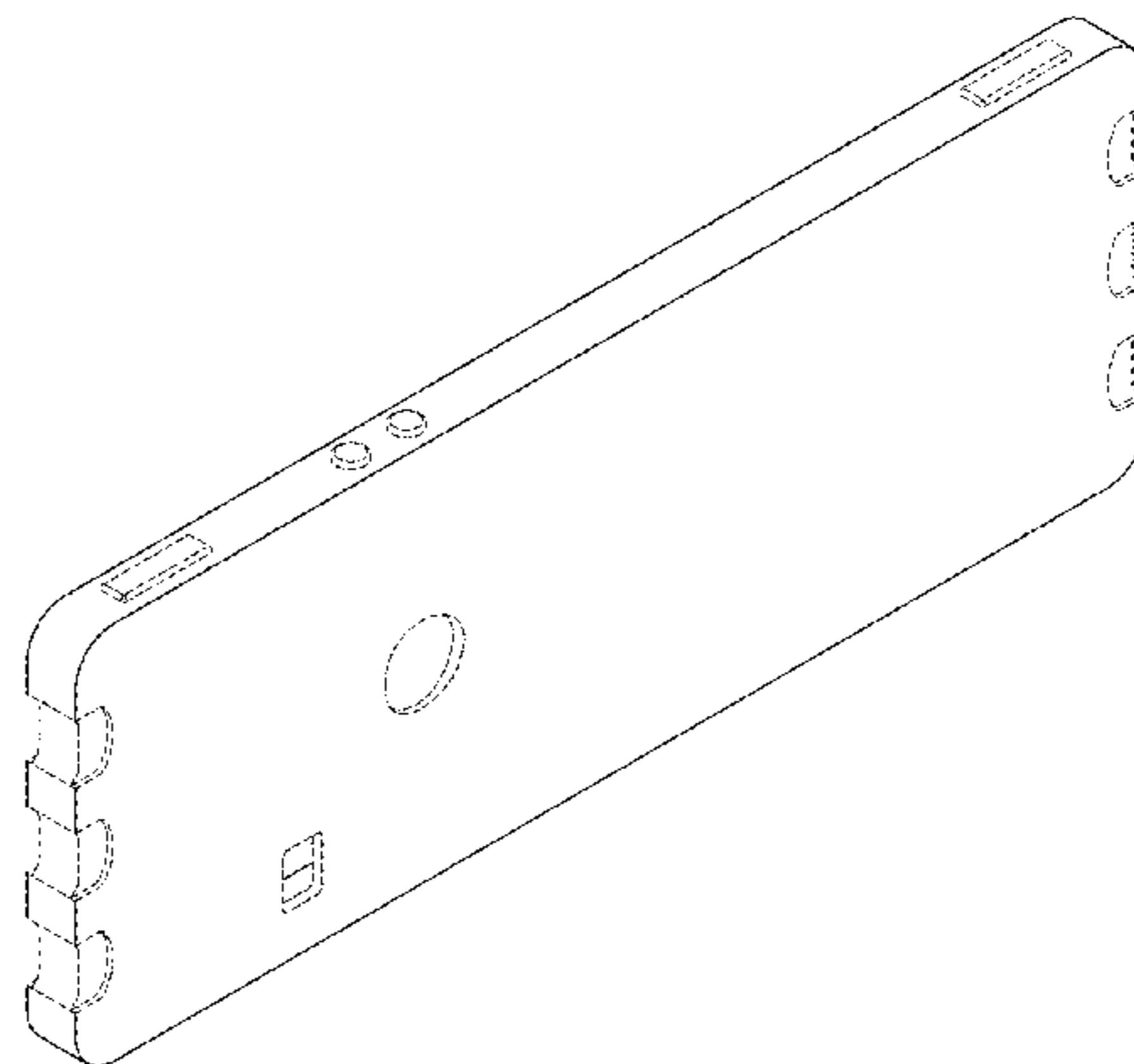
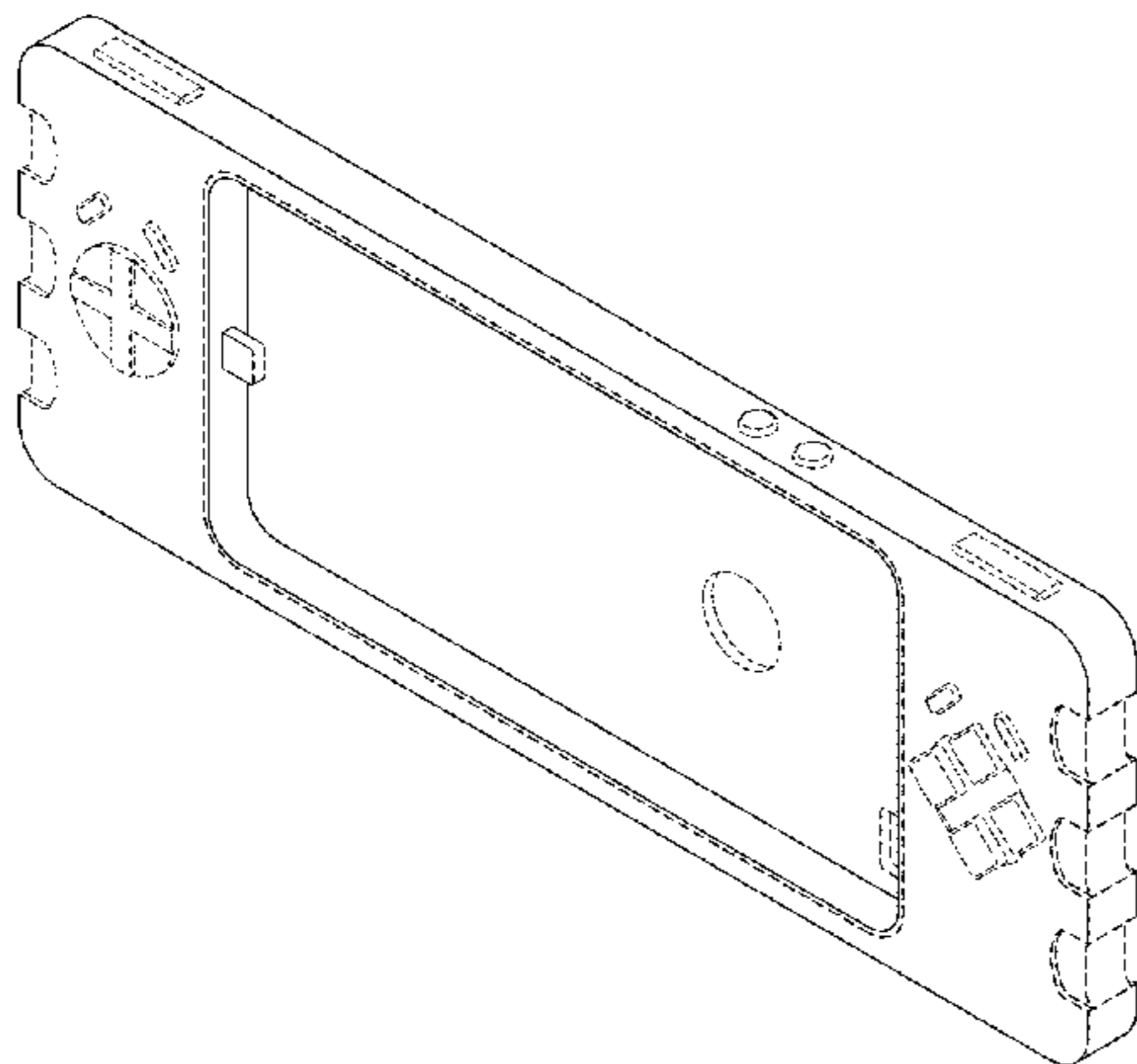
(58) **Field of Classification Search**  
USPC ..... D14/434, 432, 433, 440, 447, 251-253, D14/451, 452, 454, 140, 142, 149, 217, D14/240, 299, 496, 314, 356, 357, 358, D14/209.1, 171, 250, 401, 388, 399, 400; D21/333, 324, 33; D13/103, 107, 108, D13/133, 135, 184, 158, 162, 162.1, 164, D13/168, 169, 171, 173, 177; D10/46, D10/49, 50, 51, 103, 104.1, 106.1, 106.95  
CPC ..... G06F 1/16; G06F 1/162; G06F 1/1626; G06F 1/163; G06F 1/1632; G06F 1/1688; G06F 13/00; G06F 3/00; G06F 3/0202; G06F 3/0219; H01M 10/44; F16M 11/10; F16M 11/20; A63F 13/06; A63F 13/02; A63F 13/98; A63F 13/22; A63F 13/24; A63F 13/18; A63F 13/20; A63F 13/23; A63F 13/323

See application file for complete search history.

(56) **References Cited**

U.S. PATENT DOCUMENTS

3,851,194	A *	11/1974	Kawada .....	B06B 1/0644 310/345
4,969,647	A	11/1990	Mical et al.	
D378,104	S *	2/1997	Harrell, Jr. ....	D21/333
6,530,838	B2	3/2003	Ha et al.	
D492,293	S *	6/2004	Kim .....	D14/240
D492,294	S	6/2004	Kim	
6,786,826	B2	9/2004	Himoto et al.	
D500,319	S	12/2004	Wada	
D527,005	S *	8/2006	Navarrez .....	D14/401
7,095,442	B2	8/2006	Van Zee	
D528,106	S	9/2006	Lee et al.	
D529,493	S *	10/2006	Ogasawara .....	D21/329
D532,829	S *	11/2006	Kawanobe .....	D21/333
D543,528	S *	5/2007	Kim .....	D14/138 G
D544,481	S	6/2007	Maddox et al.	
D548,235	S *	8/2007	Krieger .....	D14/401
D552,688	S *	10/2007	Hussaini .....	D14/434
D556,759	S *	12/2007	Kawanobe .....	D14/401
D560,683	S *	1/2008	Lee .....	D14/496
D568,884	S *	5/2008	Kawanobe .....	D14/401
7,400,917	B2	7/2008	Wood et al.	
7,580,728	B2	8/2009	Vance et al.	
7,733,637	B1	6/2010	Lam	
D619,991	S *	7/2010	Huang .....	D21/331
7,755,905	B2	7/2010	Kohnke	
D622,245	S *	8/2010	Okada .....	D21/331
D624,129	S *	9/2010	Lim .....	D21/333
7,833,097	B1	11/2010	Maddox et al.	
D632,341	S *	2/2011	Lim .....	D21/333
D637,236	S *	5/2011	Lum .....	D14/434
D639,260	S *	6/2011	Carroll .....	D14/341
D641,022	S *	7/2011	Dodo .....	D14/401
D641,049	S *	7/2011	Ehara .....	D21/333
D643,476	S *	8/2011	Ehara .....	D21/333
D645,521	S *	9/2011	Ehara .....	D21/333
D650,447	S *	12/2011	Ehara .....	D21/333
D664,601	S *	7/2012	Sogabe .....	D14/401
D666,250	S *	8/2012	Fulghum .....	D21/333
8,330,305	B2	12/2012	Hart et al.	
D681,127	S *	4/2013	Ashida .....	D21/333
D682,947	S *	5/2013	Akama .....	D21/333
D686,209	S	7/2013	Sun et al.	
D686,669	S *	7/2013	Ashida .....	D21/333
8,480,493	B2	7/2013	Liotta et al.	



# US D867,365 S

Page 2

D689,138 S *	9/2013	Ashida .....	D21/332	2013/0077213 A1 *	3/2013	Kao .....	G06F 1/1632
D689,496 S *	9/2013	Park .....	D14/434				361/679.01
8,529,357 B2	9/2013	Joynes et al.		2013/0080670 A1 *	3/2013	Medica .....	G06F 1/1632
8,547,340 B2	10/2013	Sizelove et al.					710/110
8,560,752 B2	10/2013	Liberty		2013/0094134 A1	4/2013	Ashcraft	
8,565,843 B1 *	10/2013	Lugo .....	H04M 1/04	2013/0113698 A1 *	5/2013	Kuroume .....	A63F 13/26
			455/556.1				345/156
D692,882 S *	11/2013	Lakraa .....	D14/401	2013/0157764 A1 *	6/2013	Joynes .....	A63F 13/06
D694,829 S *	12/2013	Ashida .....	D21/333				463/37
D697,141 S *	1/2014	Sugino .....	D21/333	2013/0184077 A1	7/2013	Galpern	
D699,791 S *	2/2014	Sugino .....	D21/333	2014/0179437 A1 *	6/2014	King .....	A63F 13/06
D710,945 S *	8/2014	Biheller .....	D14/401				463/37
D711,312 S *	8/2014	Tien .....	D13/103	2015/0174482 A1 *	6/2015	Hirshberg .....	A63F 13/98
D711,860 S *	8/2014	Daniel .....	D14/250				463/37
D712,484 S *	9/2014	Sumii .....	D14/401	2015/0273325 A1 *	10/2015	Falc .....	A63F 13/98
D712,970 S *	9/2014	Biheller .....	D21/333				463/37
D713,467 S *	9/2014	Sawhney .....	D21/333	2016/0072327 A1 *	3/2016	Knutson .....	G06F 1/1632
D713,468 S *	9/2014	Sawhney .....	D21/333				320/108
D716,302 S *	10/2014	Delgado .....	D14/390	2016/0345472 A1 *	11/2016	Park .....	H02J 50/10
D720,342 S *	12/2014	Starrett .....	D14/401	2016/0361627 A1 *	12/2016	Fujita .....	A63F 13/98
D721,034 S *	1/2015	Sul .....	D13/108	2018/0074550 A1 *	3/2018	Sorias .....	G06F 1/1632
D723,032 S *	2/2015	Schoenith .....	D14/401	2018/0314295 A1 *	11/2018	D'Penha .....	G06F 1/1632
D723,530 S *	3/2015	Namminga .....	D14/250				
D730,359 S *	5/2015	Fustino .....	D14/434				
9,024,866 B2	5/2015	Feldstein					
D735,718 S *	8/2015	Pang .....	D14/218				
D735,721 S *	8/2015	Mar .....	D14/401				
D736,859 S *	8/2015	Joynes .....	D14/401				
D737,273 S *	8/2015	Schoenith .....	D14/401				
9,138,640 B2 *	9/2015	Baum .....	A63F 13/06				
D740,797 S *	10/2015	Daniel .....	D14/250				
D740,885 S *	10/2015	Nokuo .....	D14/401				
D741,952 S *	10/2015	Nokuo .....	D14/401				
9,281,859 B1 *	3/2016	Lee .....	H04B 1/3888				
D754,257 S *	4/2016	Gallizzi .....	D21/332				
D806,023 S *	12/2017	Xu .....	D13/108				
D808,947 S *	1/2018	Taniho .....	D14/253				
D813,234 S *	3/2018	Nadler .....	D14/388				
9,914,060 B1 *	3/2018	Corigliano .....	A63F 13/98				
D815,211 S *	4/2018	Buller .....	D21/333				
D815,696 S *	4/2018	Ehara .....	D21/333				
D819,642 S *	6/2018	Ehara .....	D14/401				
D819,696 S *	6/2018	Ehara .....	D14/496				
10,114,416 B1 *	10/2018	D'Penha .....	G06F 1/1632				
D834,979 S *	12/2018	Zhang .....	D10/106.95				
D844,559 S *	4/2019	Mercer .....	D13/107				
2002/0151282 A1	10/2002	Wang					
2002/0155890 A1	10/2002	Ha et al.					
2003/0184958 A1	10/2003	Kao					
2003/0186746 A1	10/2003	Chuang					
2004/0092318 A1 *	5/2004	Chen .....	A63F 13/02				463/47
2005/0036293 A1	2/2005	Kohnke					
2005/0078086 A1 *	4/2005	Grams .....	A63F 13/06				345/158
2005/0181745 A1	8/2005	Wood et al.					
2006/0202865 A1	9/2006	Nguyen					
2006/0252537 A1	11/2006	Wu					
2008/0132289 A1	6/2008	Wood et al.					
2008/0266783 A1	10/2008	Mills					
2009/0034210 A1	2/2009	Kohnke					
2009/0291760 A1	11/2009	Hepburn et al.					
2010/0078343 A1 *	4/2010	Hoellwarth .....	G06F 1/1632				206/320
2010/0081505 A1	4/2010	Alten et al.					
2010/0195279 A1	8/2010	Michael					
2010/0200456 A1	8/2010	Parkinson					
2010/0328203 A1	12/2010	Hsu					
2011/0159324 A1	6/2011	Huang					
2011/0260830 A1 *	10/2011	Weising .....	G06F 3/015				340/5.52
2012/0088558 A1	4/2012	Song					
2012/0318121 A1	12/2012	Mittelstadt et al.					
2012/0320503 A1 *	12/2012	Yturralde .....	G06F 1/1632				361/679.01
2013/0058022 A1 *	3/2013	Knutson .....	G06F 1/1632				361/679.01
2013/0065690 A1	3/2013	Shim					

## OTHER PUBLICATIONS

Logitech Powershell\_Unboxing and Demo. youtube.com (Online Video) posted Dec. 9, 2013. [Retrieved on Apr. 10, 2019] <https://www.youtube.com/watch?v=1UXGhKoqACE>.\*

About Game Controllers. developer.apple.com. (Online) last updated Sep. 13, 2016. [Retrieved on Apr. 11, 2019] <https://developer.apple.com/library/archive/documentation/ServicesDiscovery/Conceptual/GameControllerPG/Introduction/Introduction.html>.\*

“About Game Controllers”; Apple Inc.; accessed on the Internet on Dec. 3, 2018 at <URL <https://developer.apple.com/library/archive/documentation/ServicesDiscovery/Conceptual/GameControllerPG/Introduction/Introduction.html>> dated Sep. 13, 2016. (Year: 2016).

“Incorporating Controllers into Your Game”; Apple Inc.; accessed on the Internet <URL <https://developer.apple.com/library/archive/documentation/ServicesDiscovery/Conceptual/GameControllerPG/IncorporatingControllersintoYourDesign/>

[IncorporatingControllersintoYourDesign.html](https://developer.apple.com/library/archive/documentation/ServicesDiscovery/Conceptual/GameControllerPG/IncorporatingControllersintoYourDesign/)> dated Sep. 13, 2016. Rougeau, Michael; “Logitech PowerShell iPhone Controller review”; Tech Radar; accessed on the Internet on Dec. 3, 2018 <URL <https://www.techradar.com/reviews/gaming/logitech-powershell-iphone-controller-review-1200945/review>>; Feb. 7, 2014 (Year: 2014).

Feist, Jonathan; “9 fun drones you can control with your smartphone”; Android Authority website accessed on Dec. 3, 2018; <URL <https://www.androidauthority.com/best-smartphone-controlled-drones-744632/>>; dated Jan. 28, 2018 (Year: 2018).

Logitech PowerShell Controller + Battery Setup Guide; Logitech (Year: 2013).

Mavic Pro User Manual V1.0; DJI; Oct. 2016 (Year: 2016).

\* cited by examiner

*Primary Examiner* — Marie D. Fast Horse  
(74) *Attorney, Agent, or Firm* — Allen D Hertz, P.A.;  
Allen D. Hertz

(57) **CLAIM**

I claim the ornamental design for a portable computing device controller docking station, as shown and described.

## DESCRIPTION

FIG. 1 is an isometric top, front view of a portable computing device controller docking station;  
FIG. 2 is an isometric top, rear view thereof;  
FIG. 3 is a front view thereof;  
FIG. 4 is a left side view thereof; bottom  
FIG. 5 is a right side view thereof;

FIG. 6 is a rear view thereof;

FIG. 7 is a top view thereof; and,

FIG. 8 is a bottom view thereof.

The portions of the portable computing device controller docking station shown in broken line form no part of the claimed design.

**1 Claim, 6 Drawing Sheets**

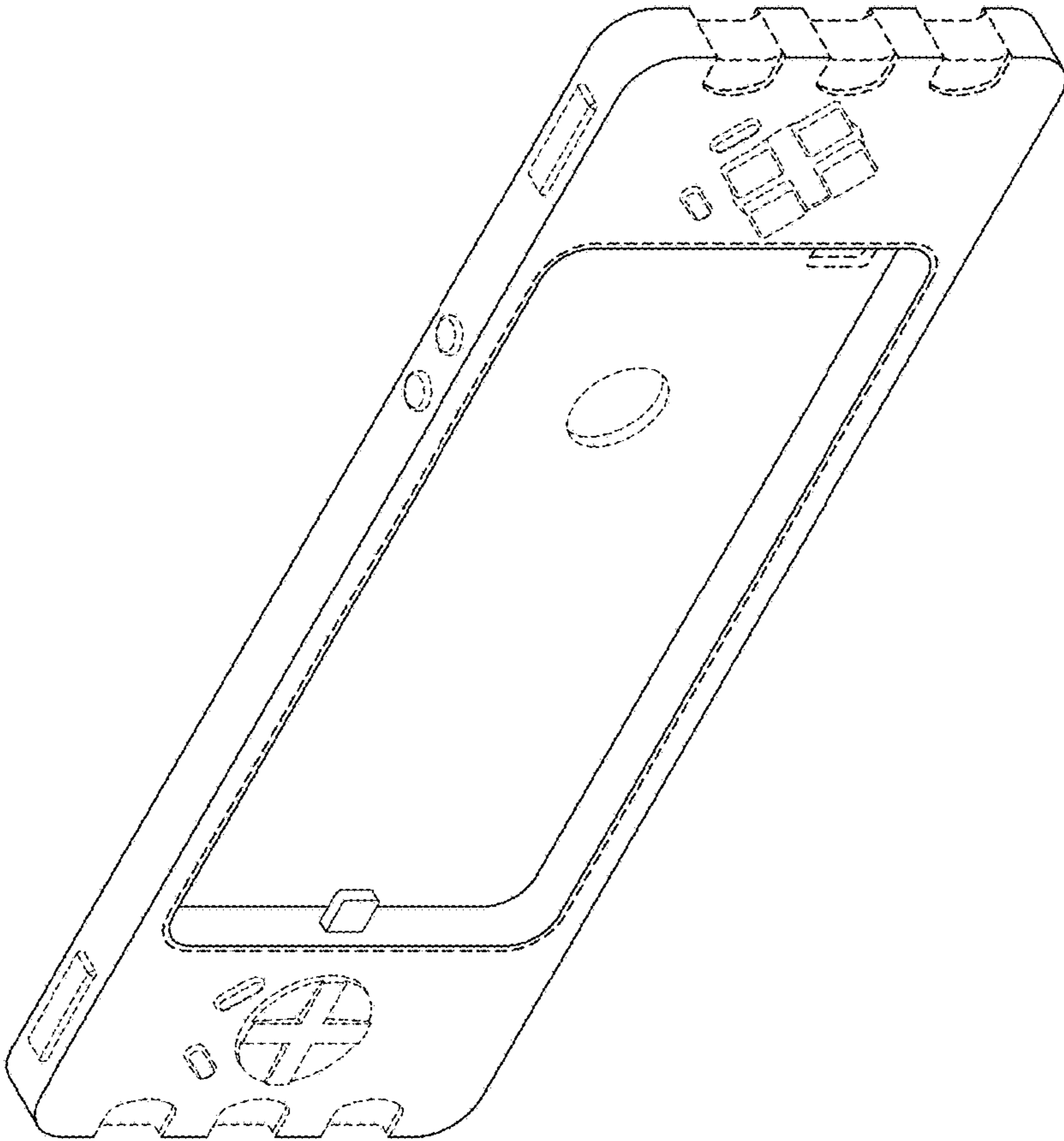


FIG. 1

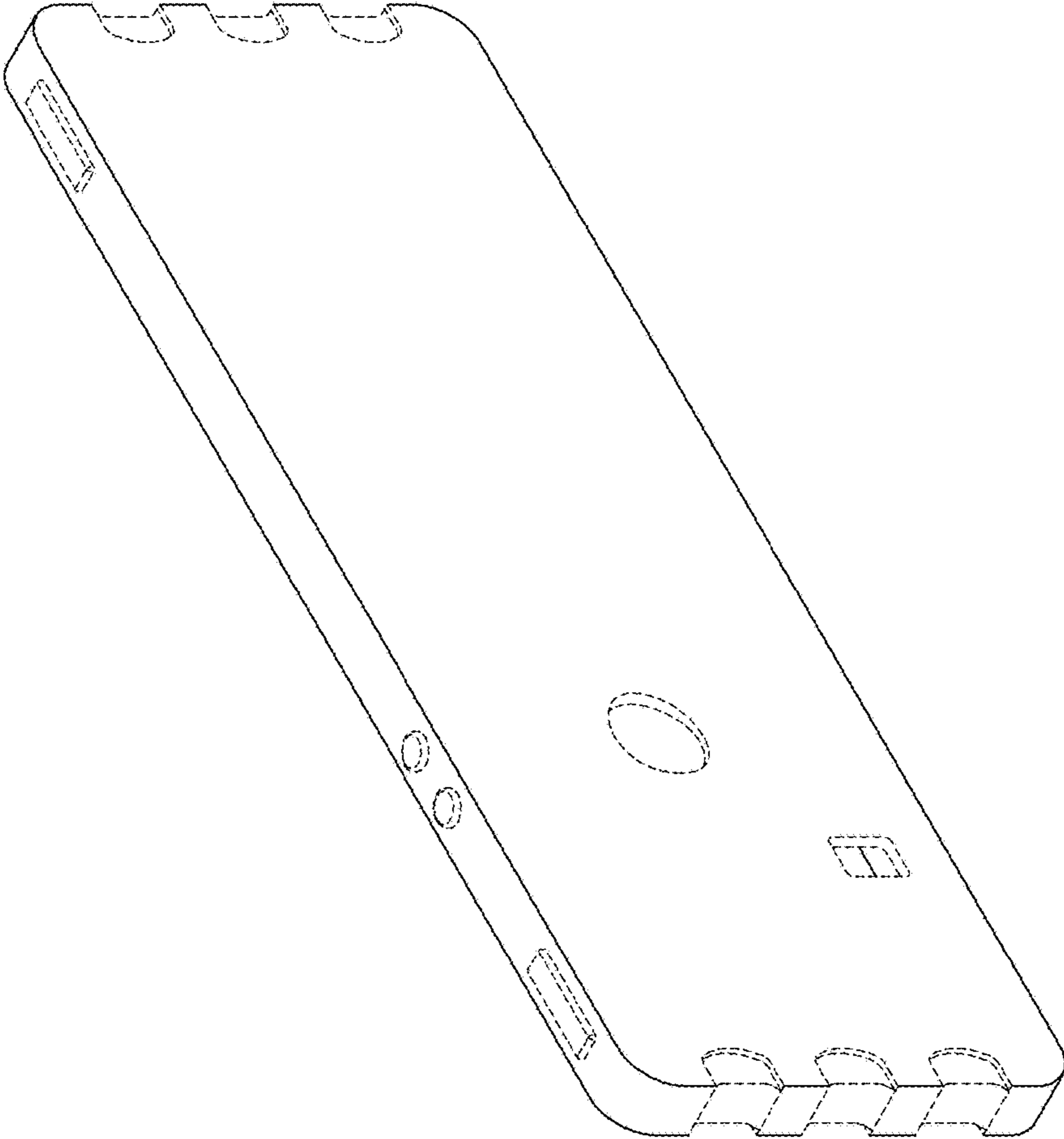


FIG. 2

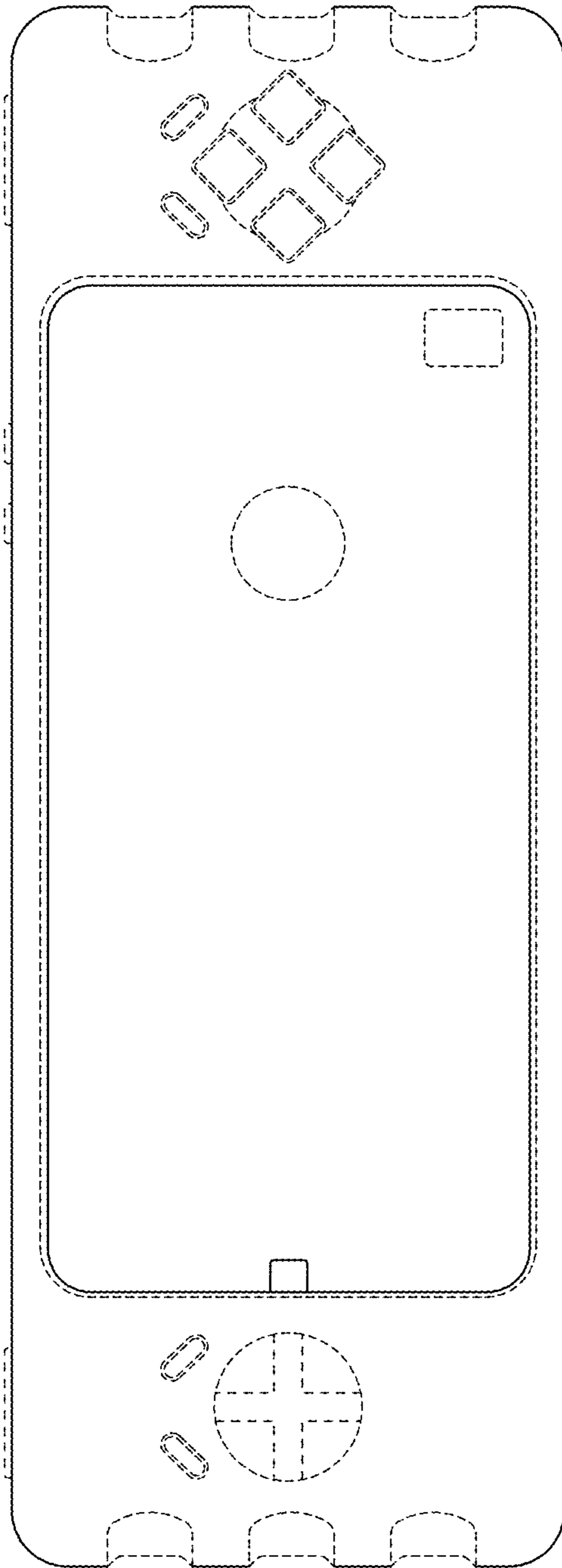


FIG. 3

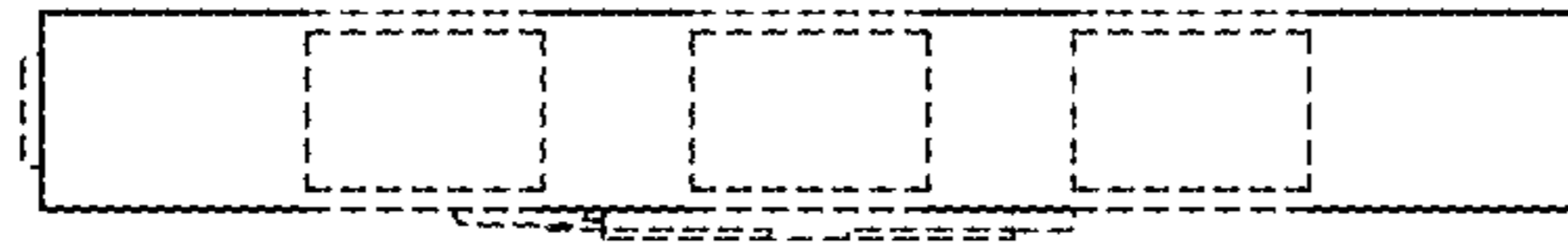


FIG. 5

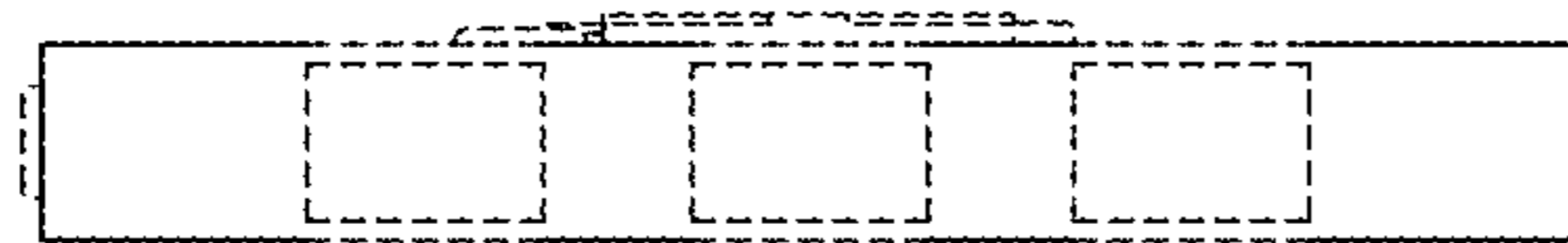


FIG. 4

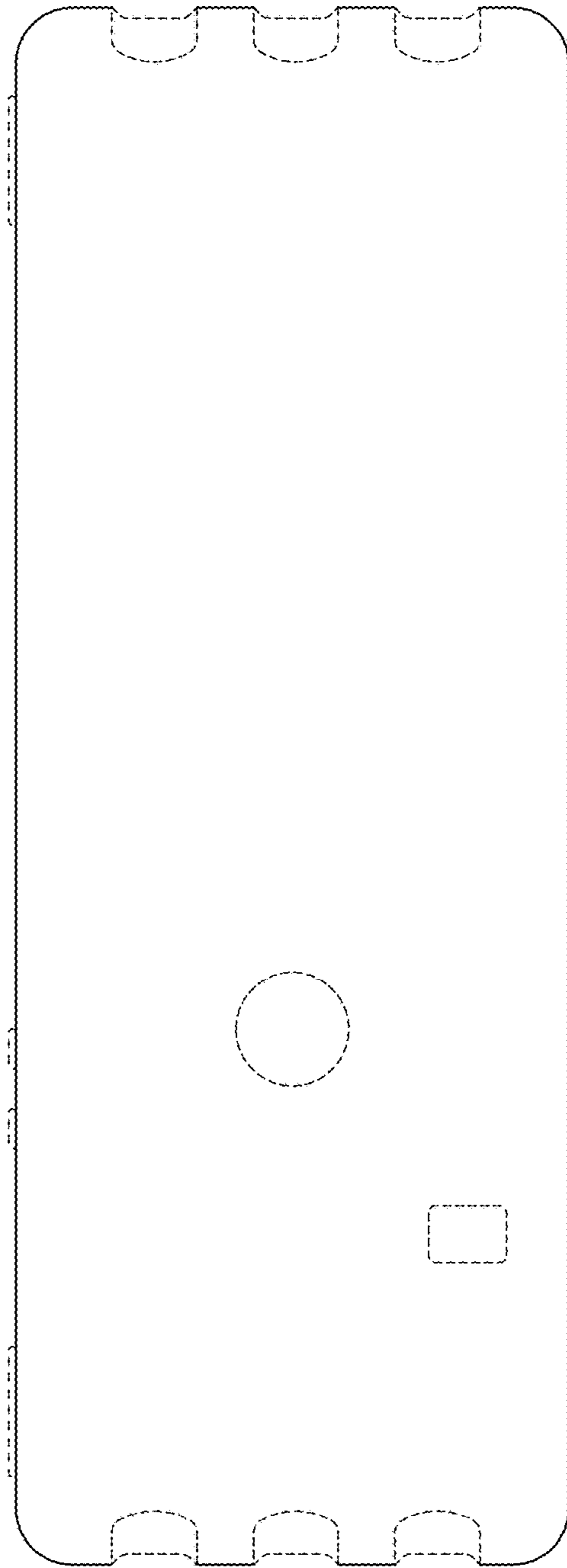


FIG. 6





FIG. 7

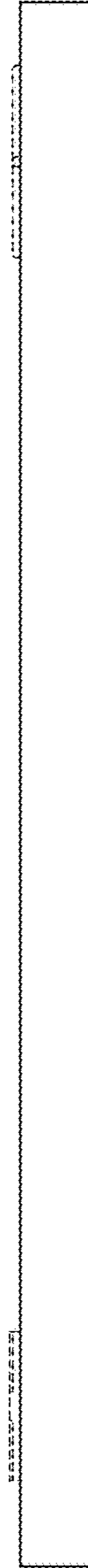


FIG. 8