



US00D867355S

(12) **United States Design Patent**
Chun

(10) **Patent No.:** **US D867,355 S**

(45) **Date of Patent:** **** Nov. 19, 2019**

(54) **BALL MOUNT STAND AND HOLDER COMBINATION**

(71) Applicant: **James Chun**, Carlsabd, CA (US)

(72) Inventor: **James Chun**, Carlsabd, CA (US)

(**) Term: **15 Years**

(21) Appl. No.: **29/618,973**

(22) Filed: **Sep. 26, 2017**

(51) **LOC (12) Cl.** **14-03**

(52) **U.S. Cl.**
USPC **D14/253**

(58) **Field of Classification Search**
USPC D14/251–253, 358, 432, 434, 440, 447;
D3/218; D16/242, 243; D12/415;
D13/107, 108
CPC A45C 11/00; A45F 5/00; F16M 11/06
See application file for complete search history.

(56) **References Cited**

U.S. PATENT DOCUMENTS

D657,783 S *	4/2012	Mo	D14/251
D684,980 S *	6/2013	Chun	D14/447
D717,307 S *	11/2014	Chun	D14/447
D739,410 S *	9/2015	Chun	D14/447
D780,743 S *	3/2017	Chun	D14/253
D783,014 S *	4/2017	Chun	D14/253
D824,380 S *	7/2018	Lee	D14/253
D825,545 S *	8/2018	McSweyn	D14/253
D825,546 S *	8/2018	Fan	D14/253
D825,547 S *	8/2018	Lin	D14/253

D832,248 S *	10/2018	Sukphist	D14/253
D835,493 S *	12/2018	Chun	D8/354
D842,850 S *	3/2019	Tang	D14/253

* cited by examiner

Primary Examiner — Janice Hallmark

(74) *Attorney, Agent, or Firm* — Dean A Craine; Marisa C Whitaker

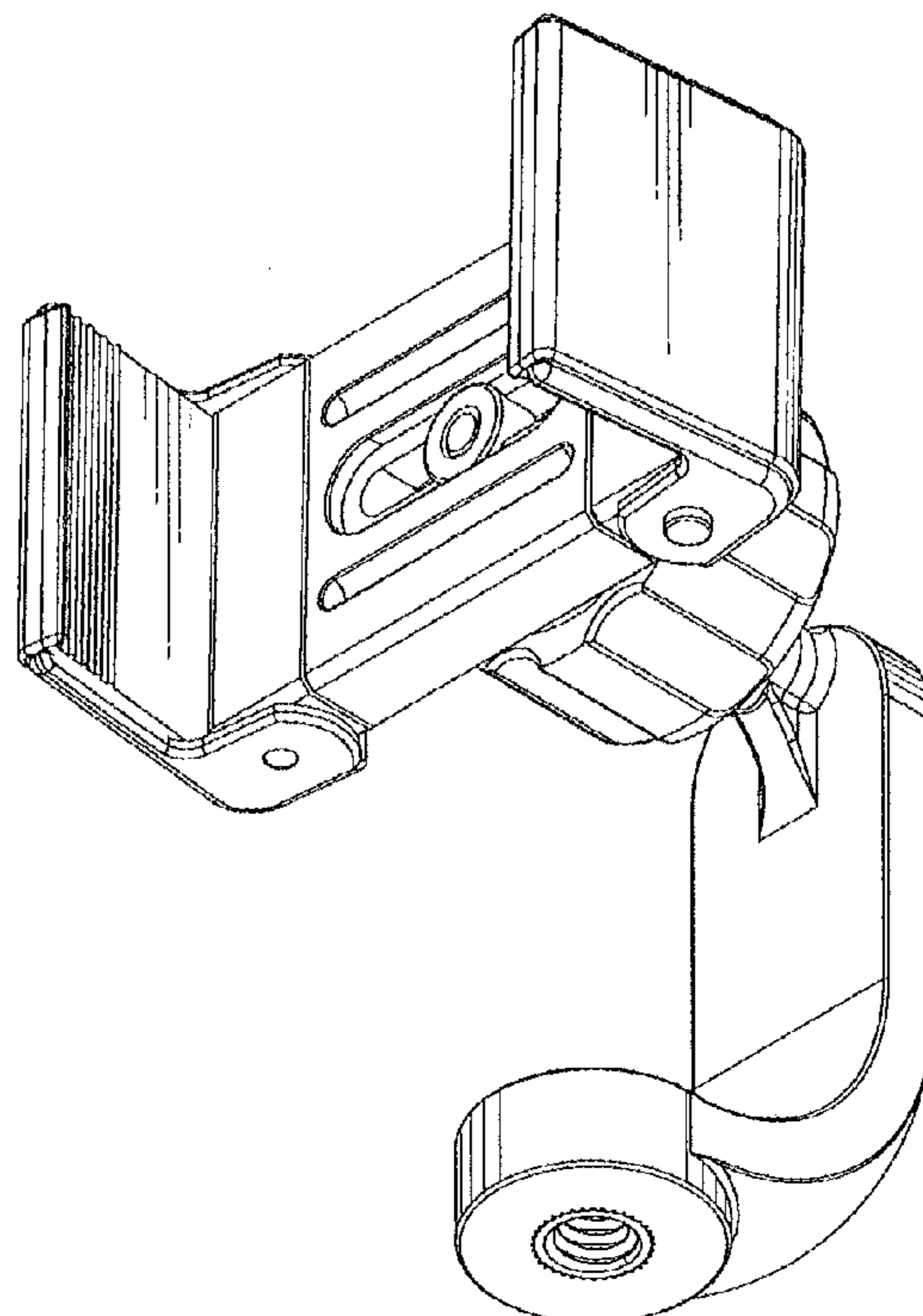
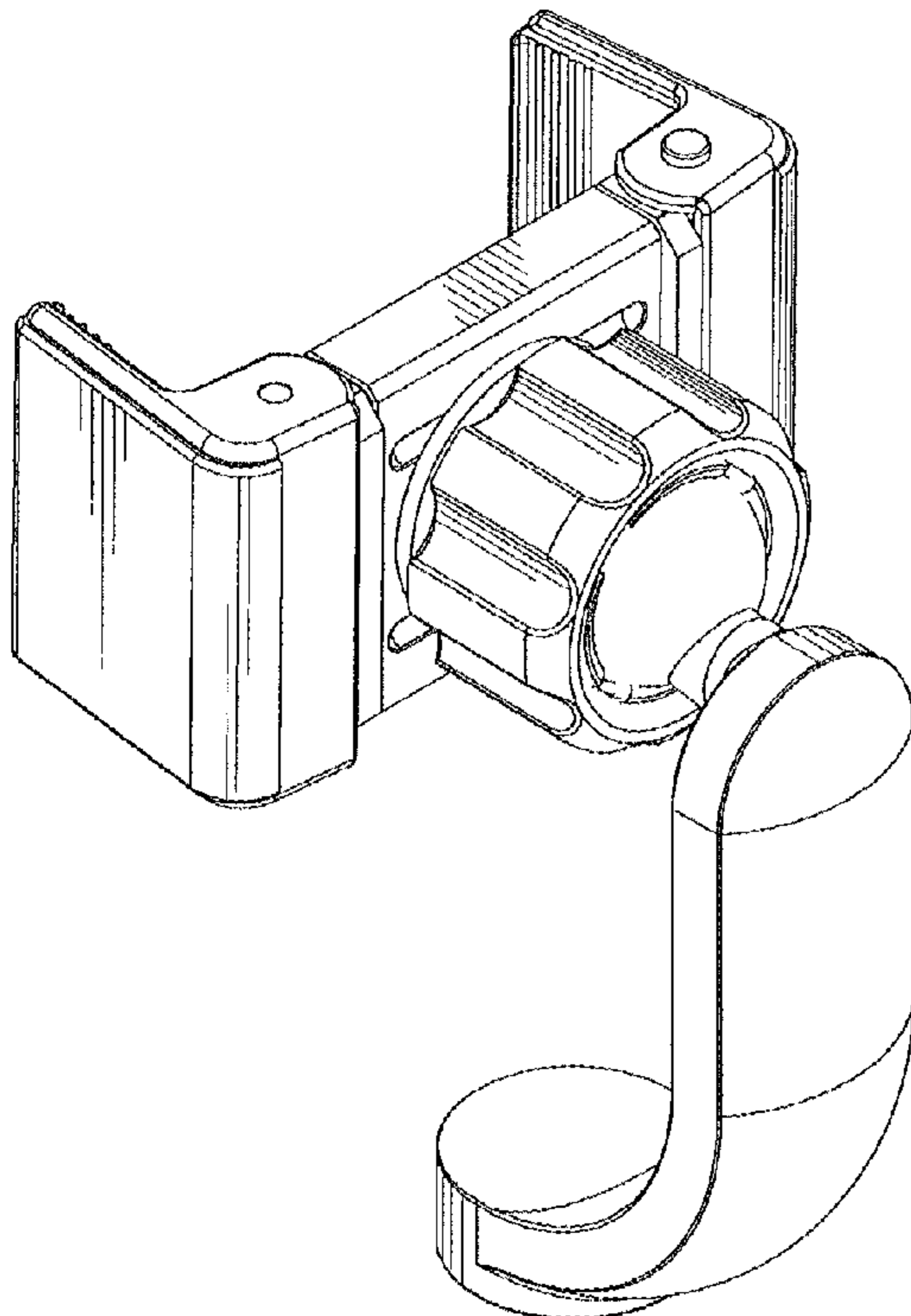
(57) **CLAIM**

The ornamental design for a ball mount stand and holder combination.

DESCRIPTION

FIG. 1 is a top, rear perspective view of a ball mount stand and holder combination showing my new design in a collapsed configuration,
FIG. 2 is a top, front perspective view thereof;
FIG. 3 is a top plan view thereof;
FIG. 4 is a left side elevational view thereof;
FIG. 5 is a bottom plan view thereof;
FIG. 6 is a front elevational view thereof;
FIG. 7 is a right side elevational view thereof;
FIG. 8 is a rear elevational view thereof;
FIG. 9 is a top plan view of ball mount stand and holder combination of FIG. 1 shown in an expanded configuration;
and,
FIG. 10 is a rear elevational view thereof.

1 Claim, 4 Drawing Sheets



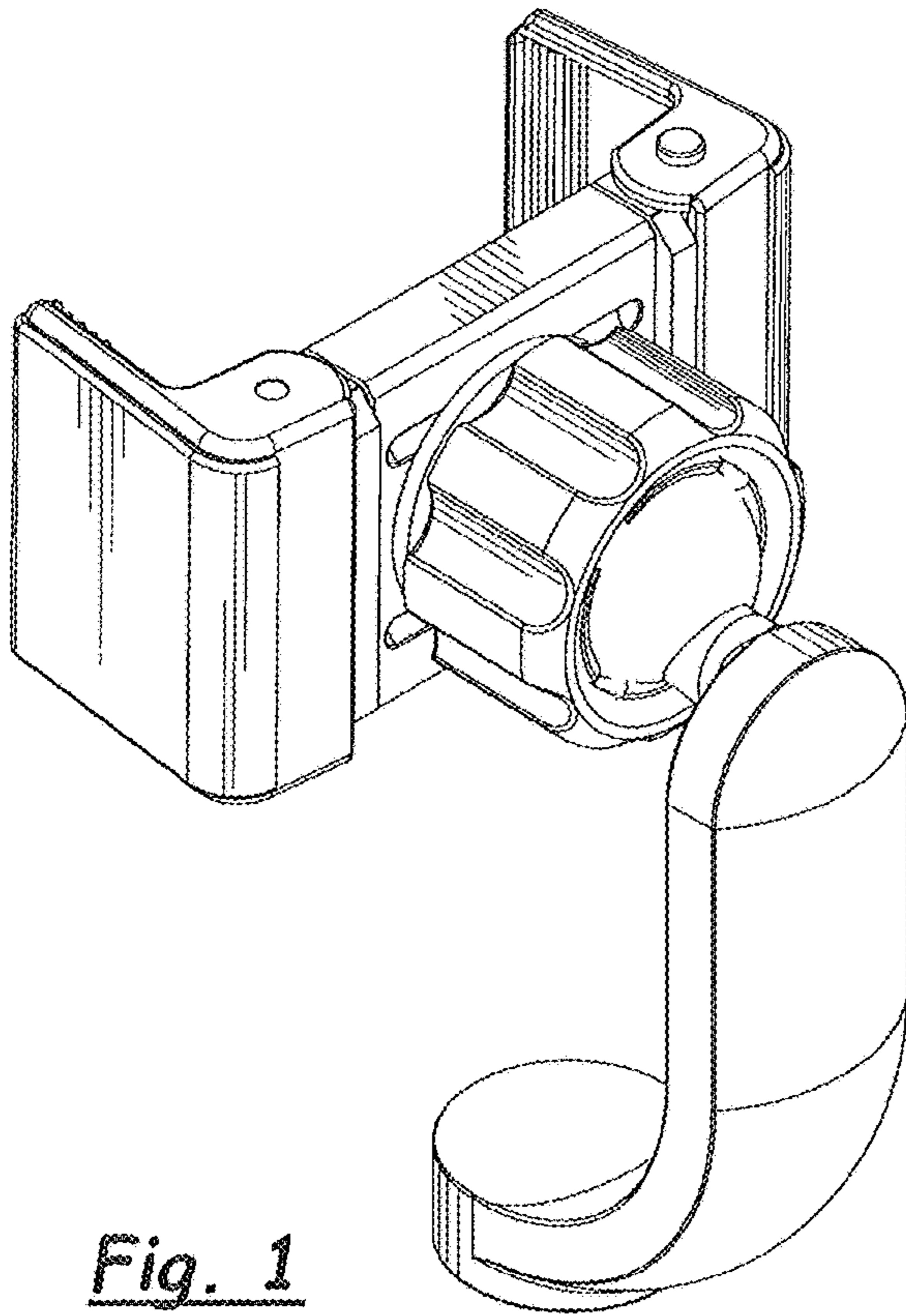


Fig. 1

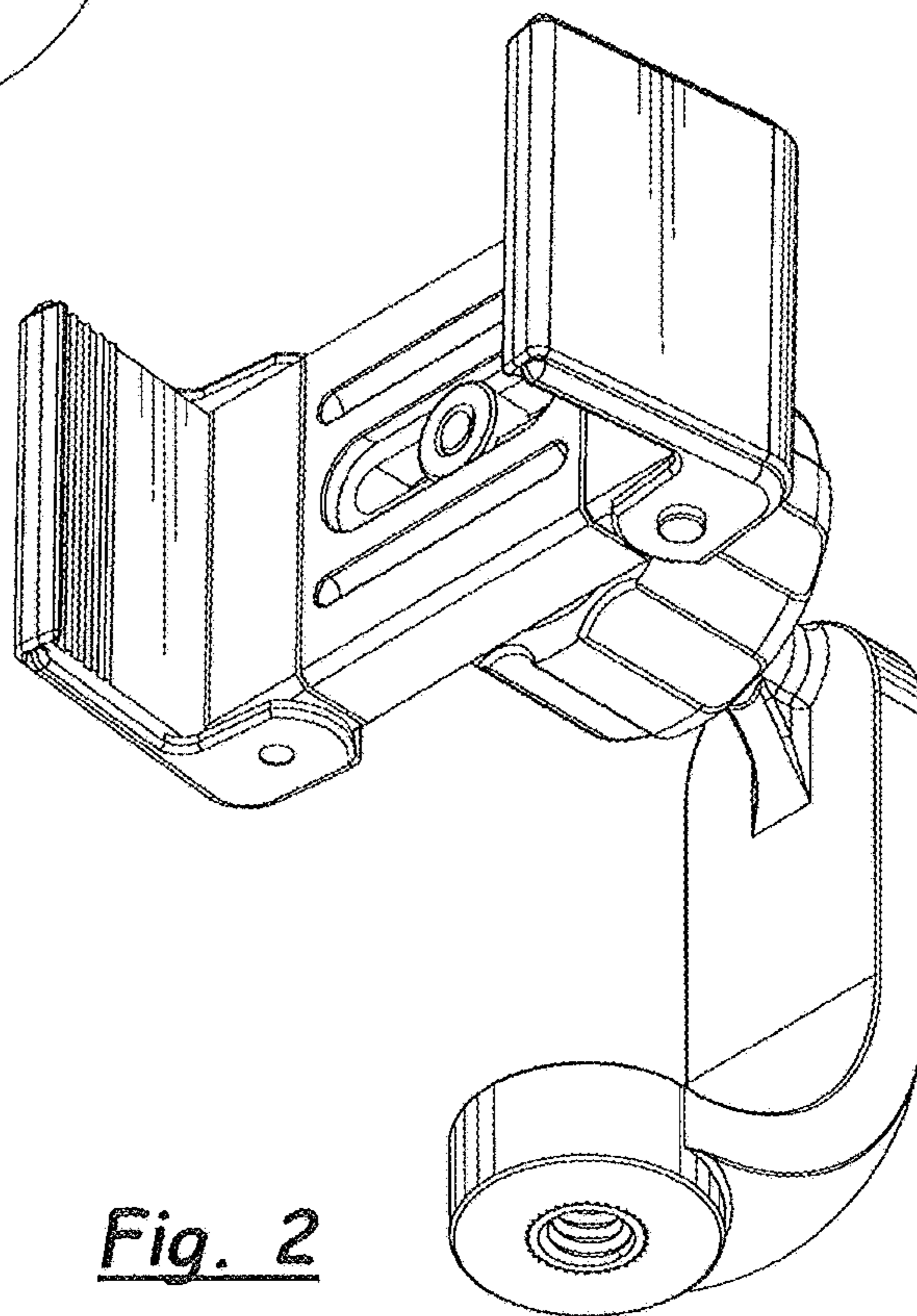


Fig. 2

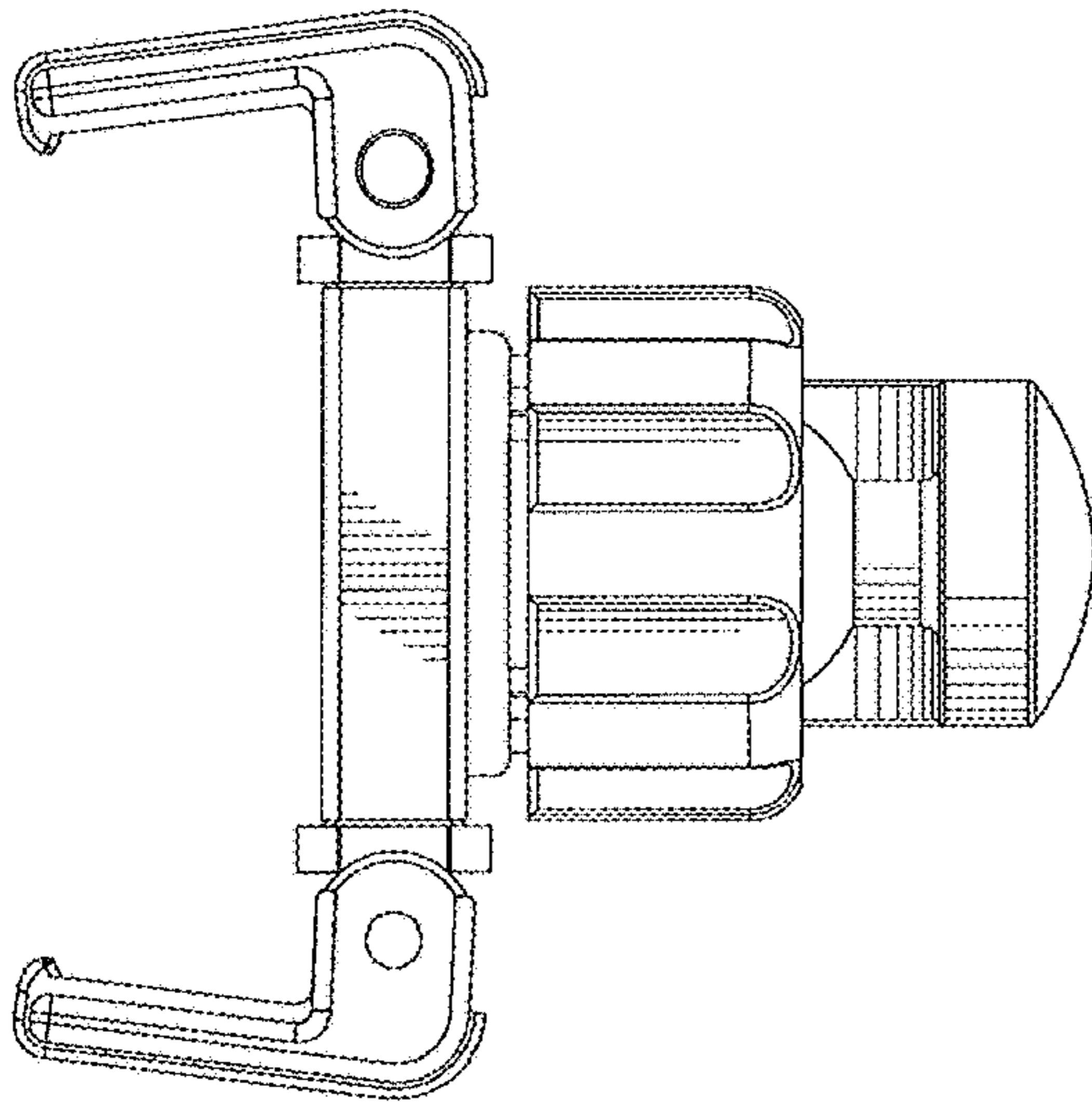


Fig. 3

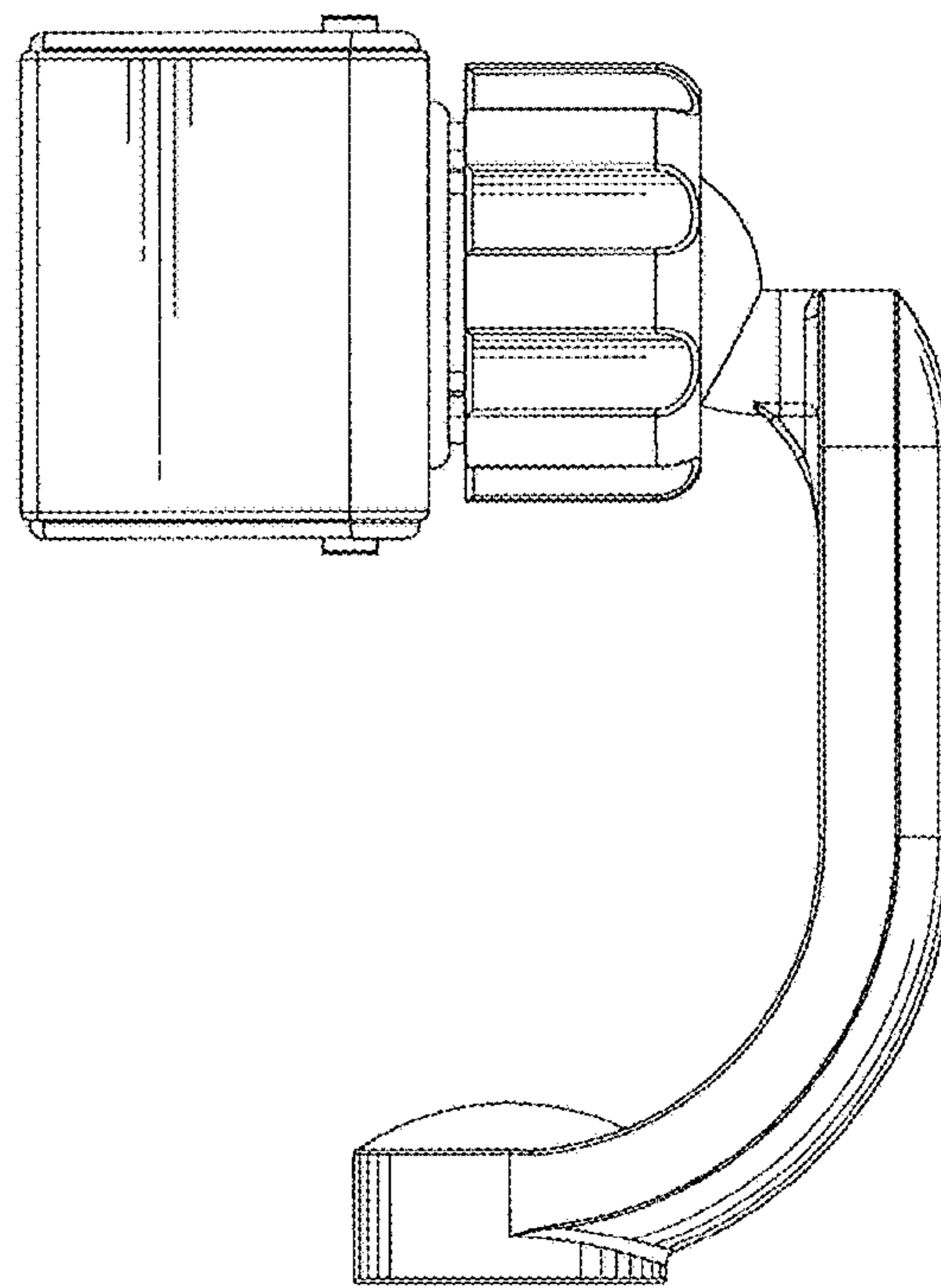


Fig. 4

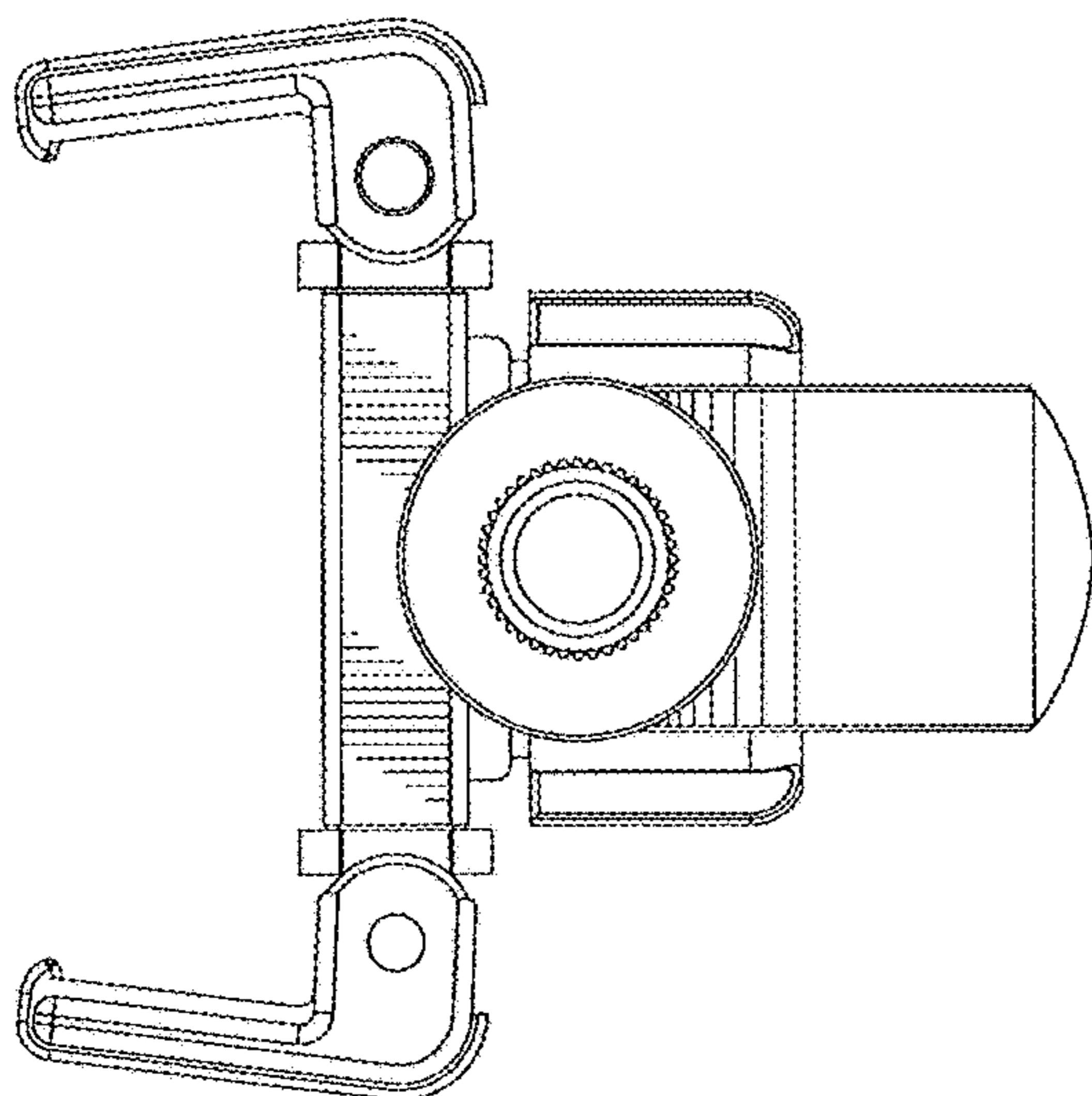


Fig. 5

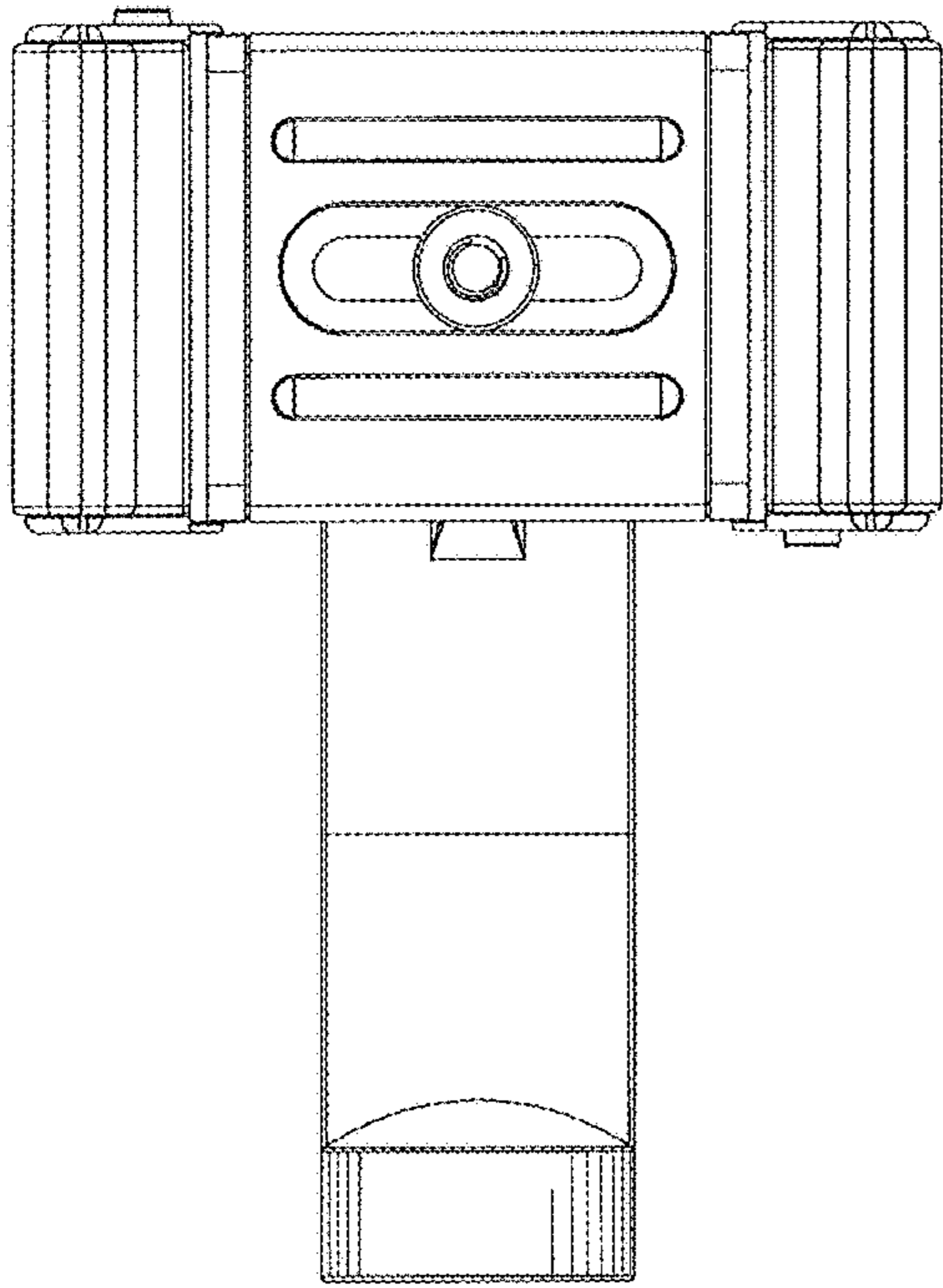


Fig. 6

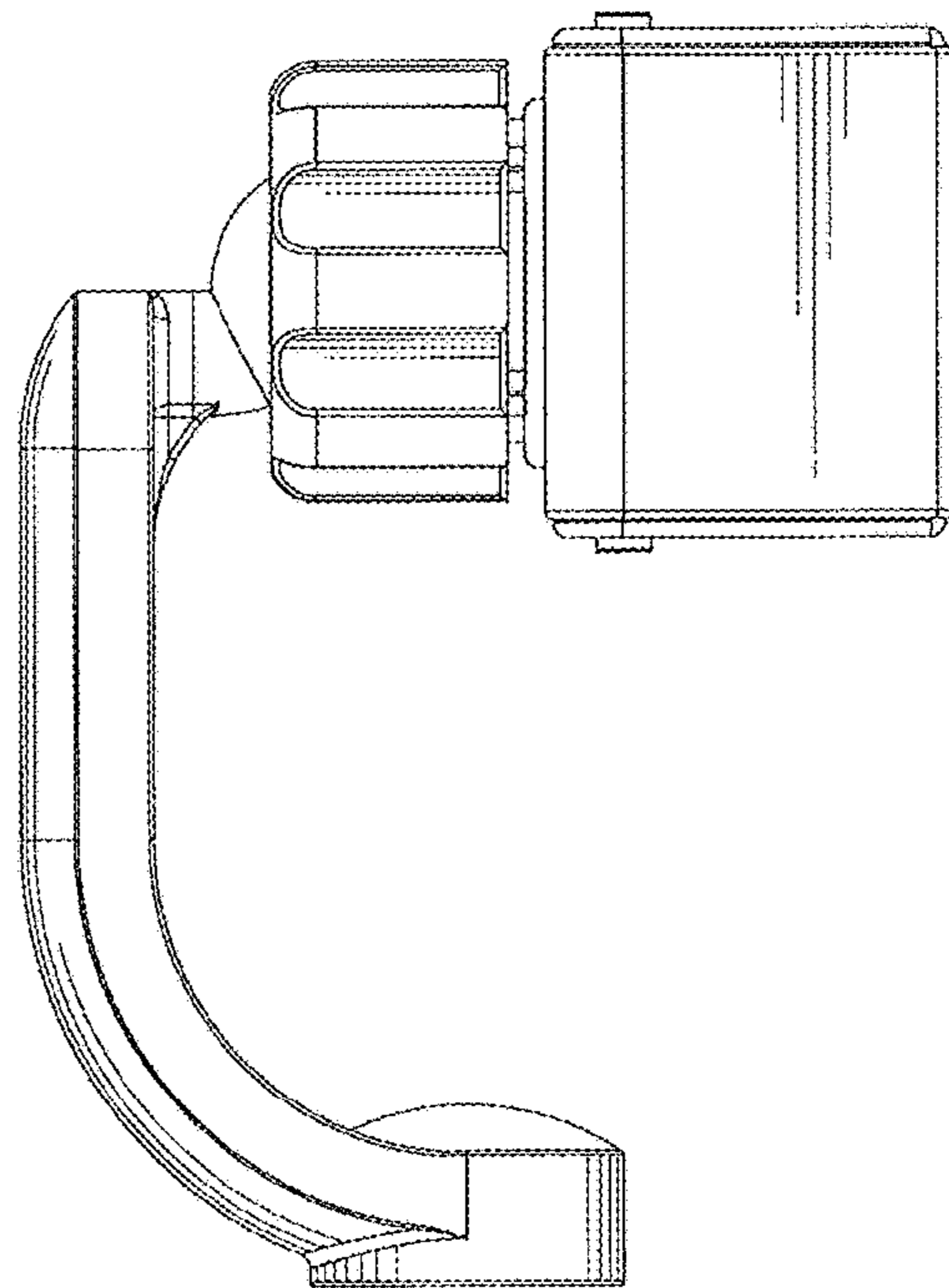


Fig. 7

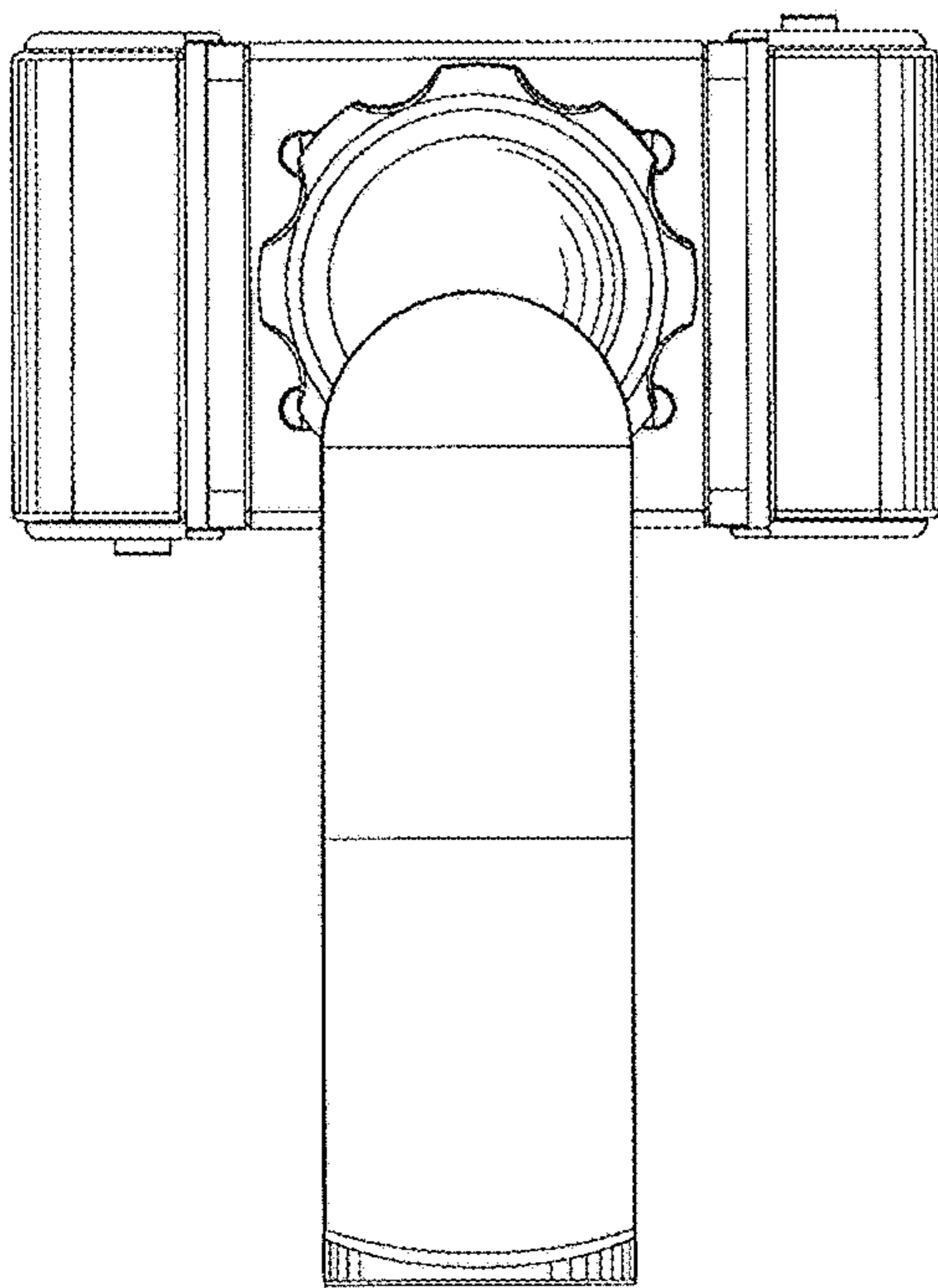


Fig. 8

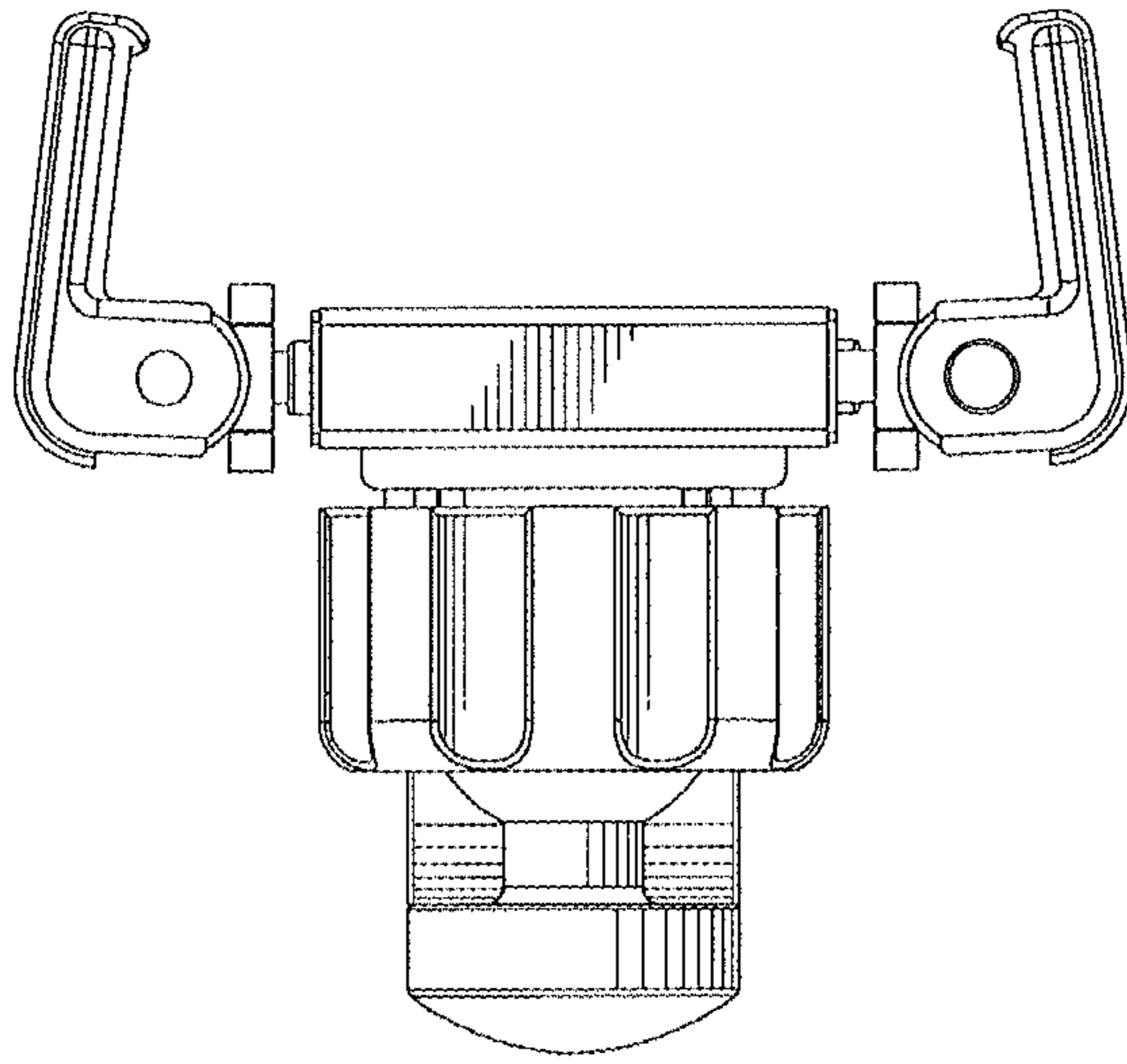


Fig. 9

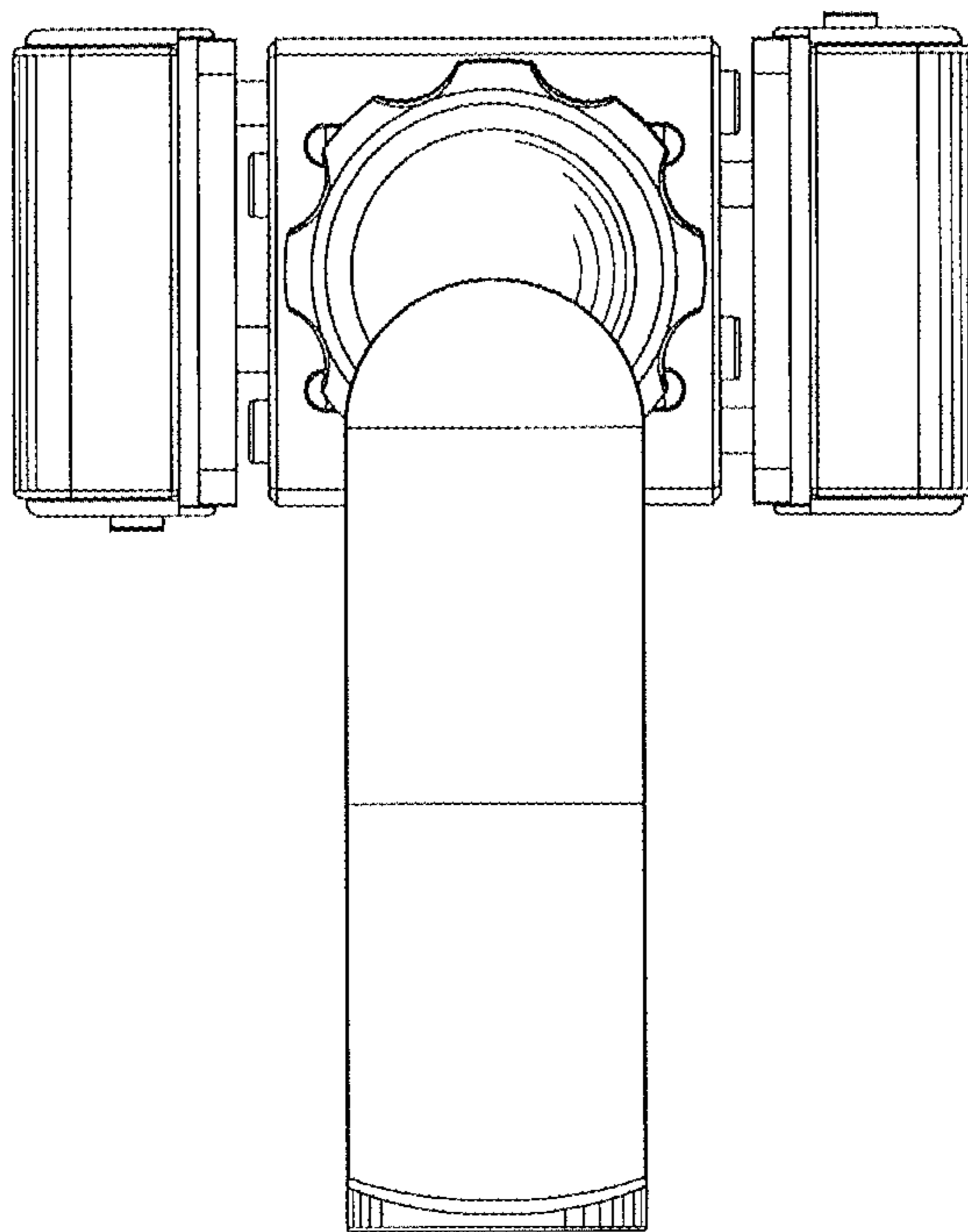


Fig. 10