

US00D867346S

(12) **United States Design Patent**
Hofstede

(10) **Patent No.:** **US D867,346 S**
(45) **Date of Patent:** **** Nov. 19, 2019**

- (54) **AMBIENT FILTER**
- (71) Applicant: **Dynamic Ear Company B.V.**, Delft (NL)
- (72) Inventor: **Angelique M. C. Hofstede**, Delft (NL)
- (73) Assignee: **DYNAMIC EAR COMPANY B.V.**, Delft (NL)
- (**) Term: **15 Years**
- (21) Appl. No.: **29/653,958**
- (22) Filed: **Jun. 20, 2018**
- (30) **Foreign Application Priority Data**

Jan. 19, 2018 (EM) 004672244

- (51) **LOC (12) Cl.** **14-01**
- (52) **U.S. Cl.**
USPC **D14/222**; D14/217
- (58) **Field of Classification Search**
USPC D14/222, 217, 221, 205, 223; D24/174, D24/173, 106, 110; 128/864, 865, 866; D23/358, 365, 209; 181/128, 129, 130, 181/135, 242, 158; 381/380, 381, 374, 381/324, 357, 168, 396, 322, 328, 329, 381/348, 355, 304, 330, 361, 364, 379, 381/191, 170, 173, 174, 193, 198; 455/90.3, 575.1, 569.1; 379/430, 431
CPC H04R 5/02; H04R 25/00; H04R 25/02; H04R 1/1016; H04R 1/1066; H04R 1/10; H04R 1/1041; H04R 1/1091
See application file for complete search history.

(56) **References Cited**
U.S. PATENT DOCUMENTS

- 1,396,771 A * 11/1921 Minton H04R 1/1008
181/211
- 1,406,425 A * 2/1922 Stair A61F 11/08
128/865

- 2,447,470 A * 8/1948 Valentine H04R 1/1008
381/372
- 2,567,875 A * 9/1951 Carrington H04R 1/083
381/360
- 2,619,960 A * 12/1952 Reynolds A61F 11/08
128/868
- 2,812,826 A * 11/1957 Hawley H04R 1/38
181/242
- 3,007,012 A * 10/1961 Olson H04R 19/04
381/357
- 3,118,022 A * 1/1964 Sessler H01G 7/02
381/191
- 3,124,663 A * 3/1964 Beaudry H04R 25/48
381/322
- 3,408,461 A * 10/1968 Langford H04R 25/48
381/322
- 3,418,437 A * 12/1968 Hoffmann H04R 1/22
381/348
- 3,646,281 A * 2/1972 McGunigle H04R 1/222
381/427
- 3,702,123 A * 11/1972 Macken et al. H04R 25/652
181/135

(Continued)

Primary Examiner — Paula Allen Greene
(74) *Attorney, Agent, or Firm* — Donald J. Ranft; Collen

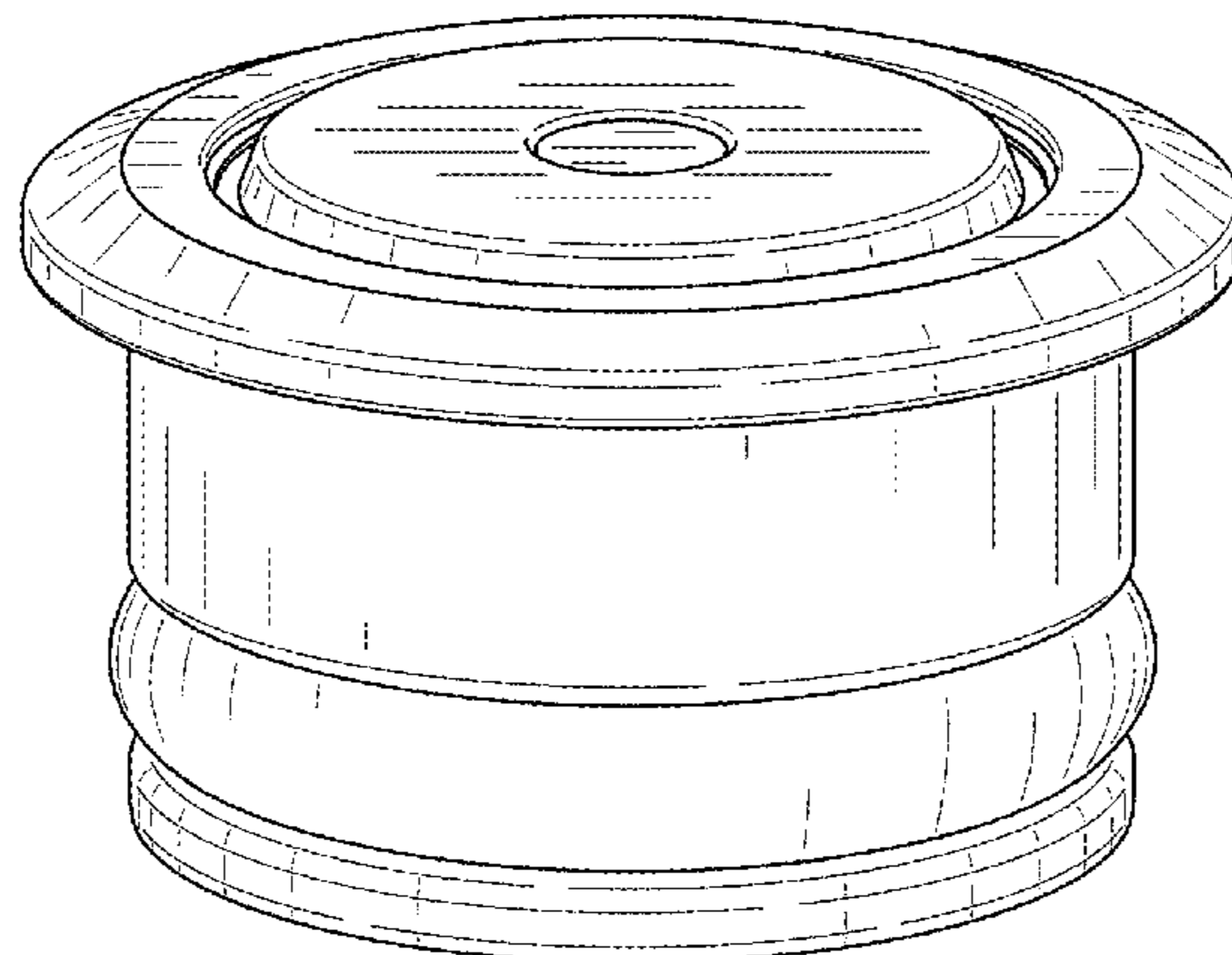
(57) **CLAIM**

The ornamental design for an ambient filter, as shown.

DESCRIPTION

FIG. 1 is a perspective view of an ambient filter showing my new design;
FIG. 2 is a front view thereof;
FIG. 3 is a rear view thereof;
FIG. 4 is a left side view thereof;
FIG. 5 is a right side view thereof;
FIG. 6 is a top view thereof; and,
FIG. 7 is a bottom view thereof.

1 Claim, 4 Drawing Sheets



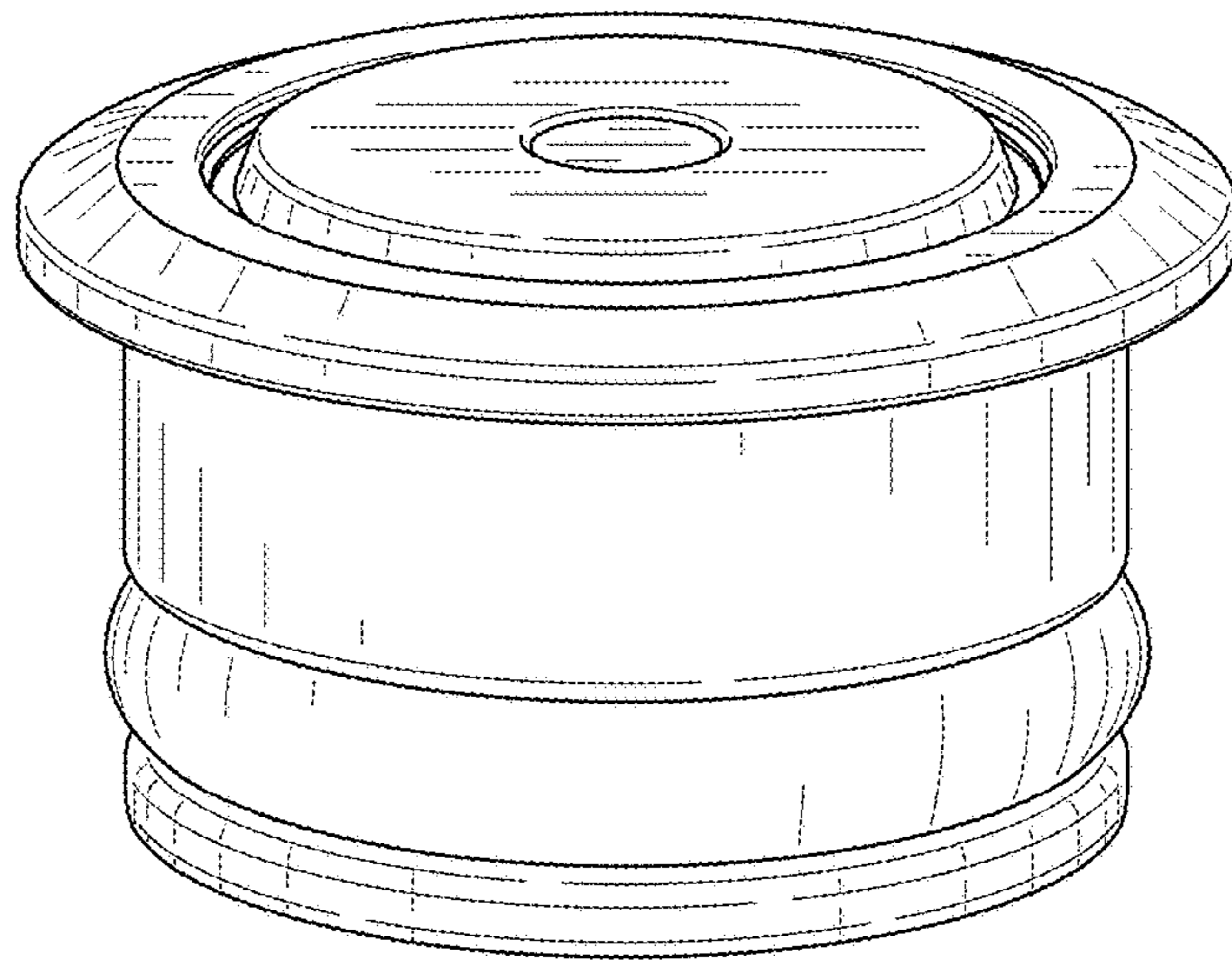


FIG. 1

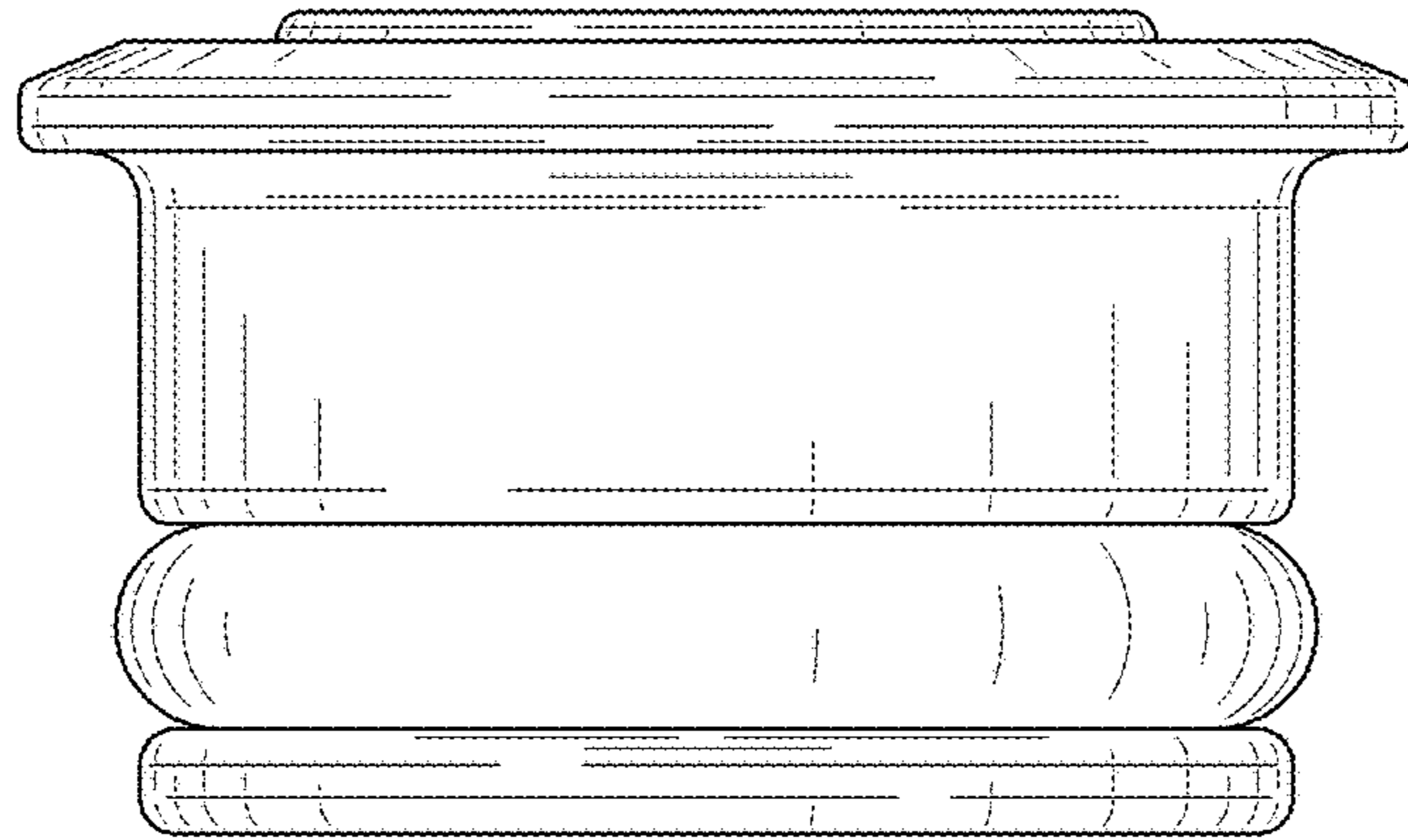


FIG. 2

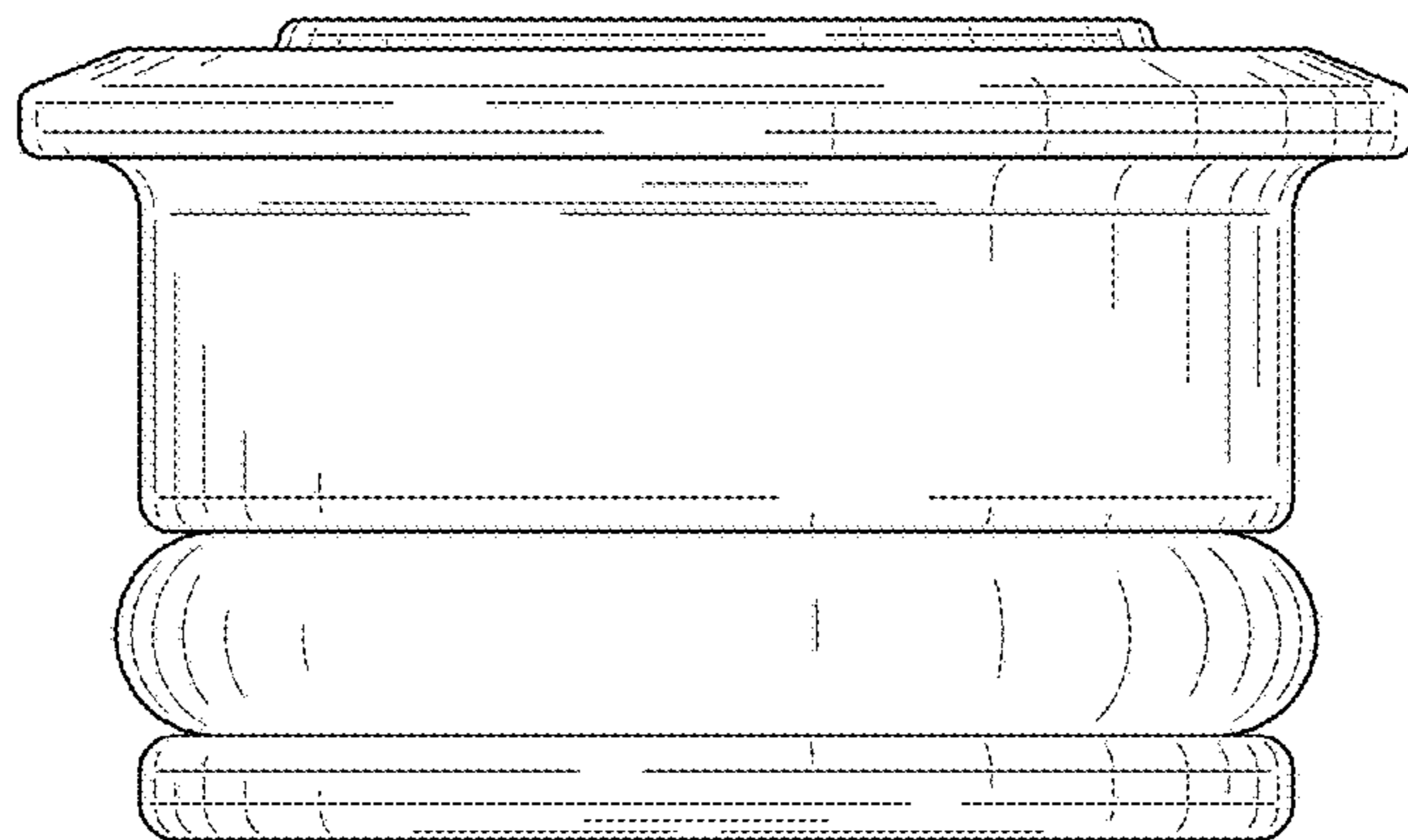


FIG. 3

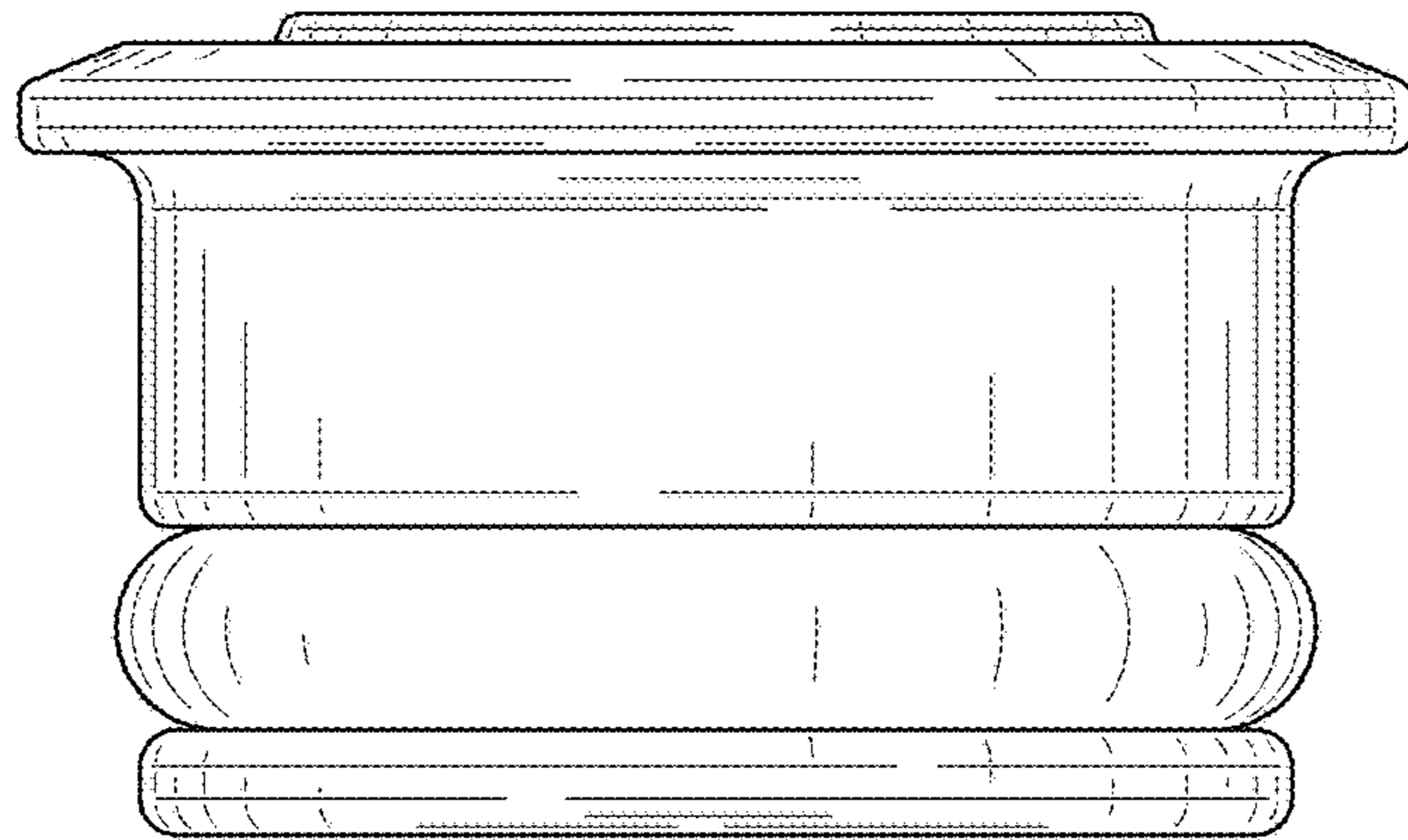


FIG. 4

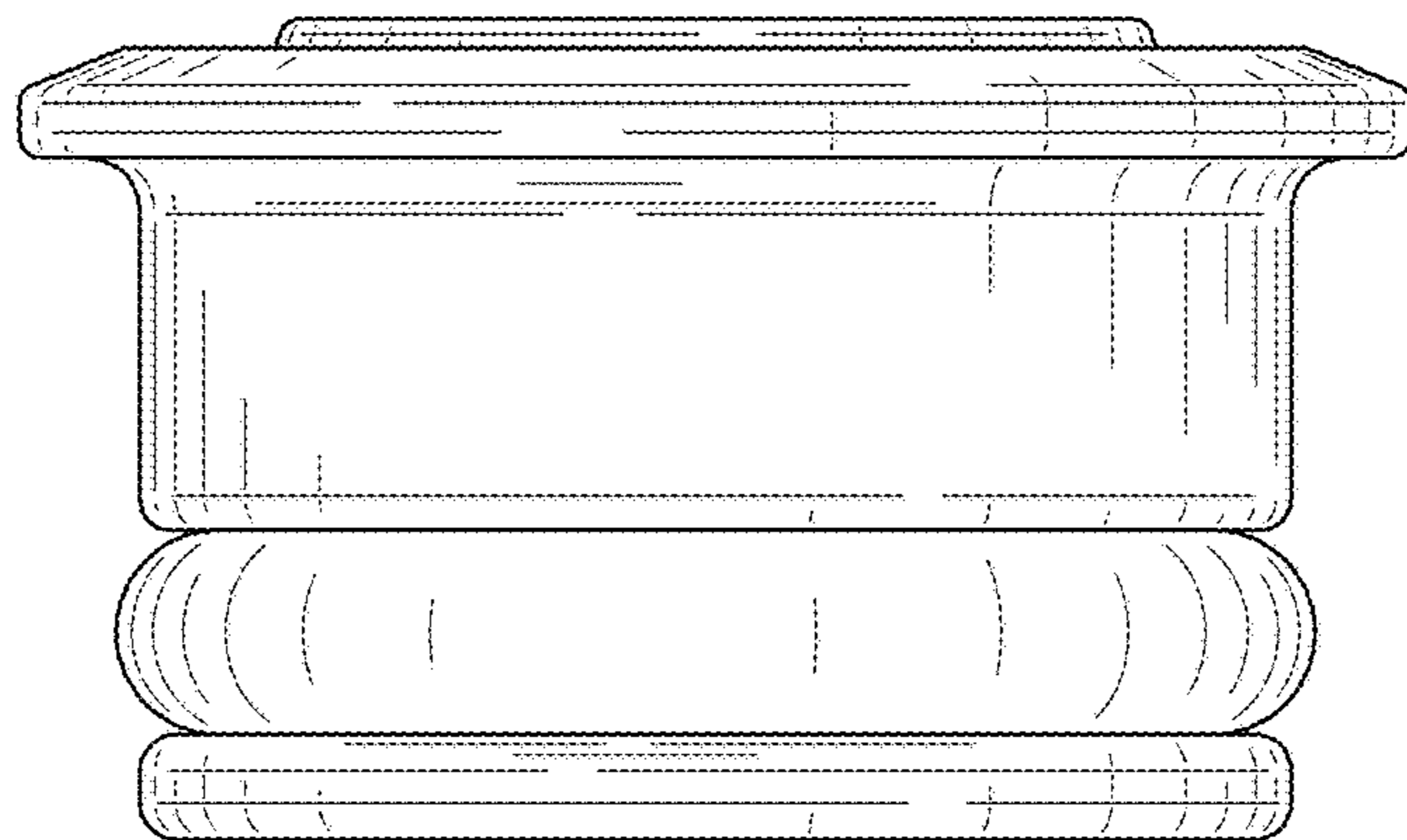


FIG. 5

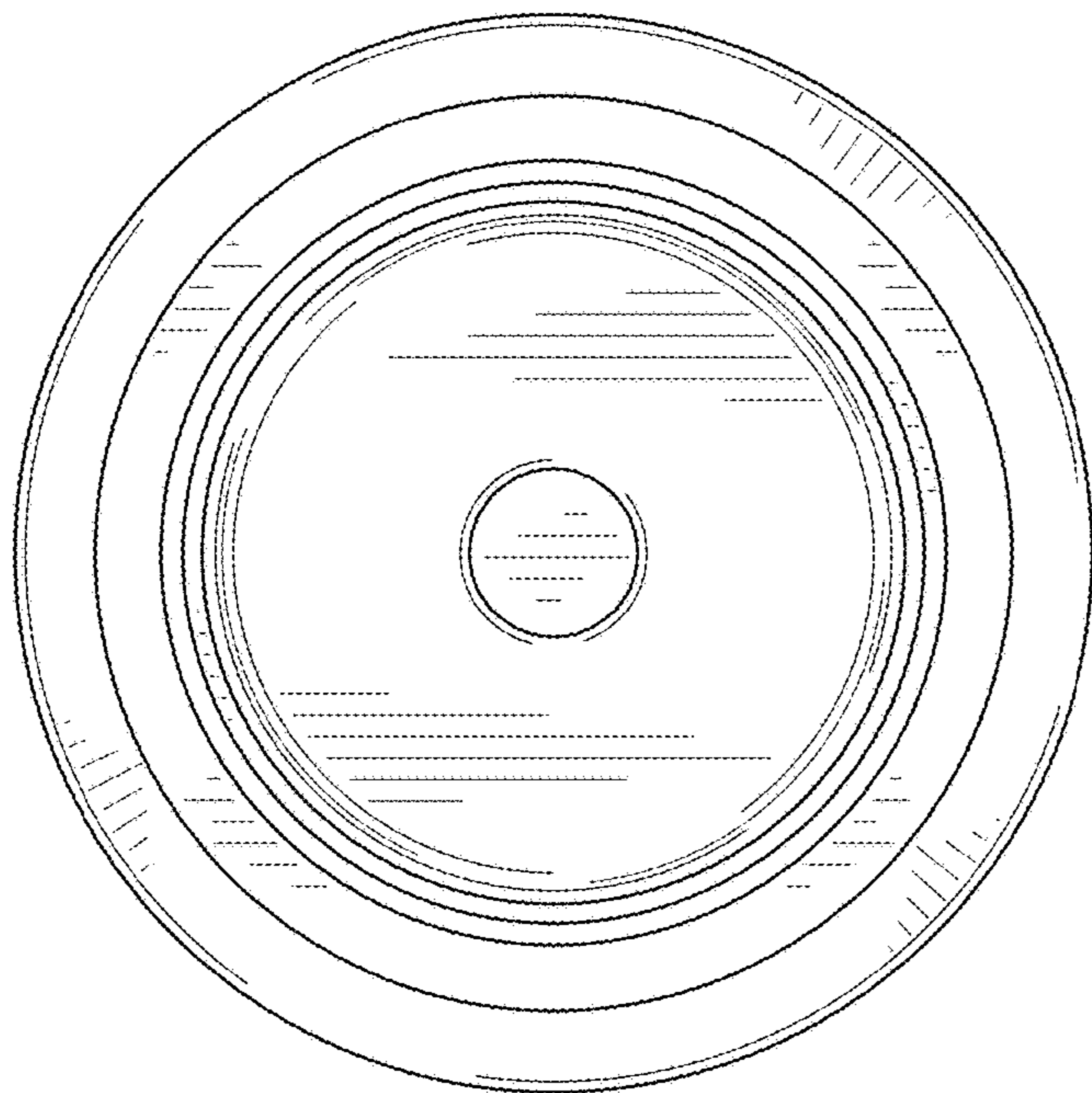


FIG. 6

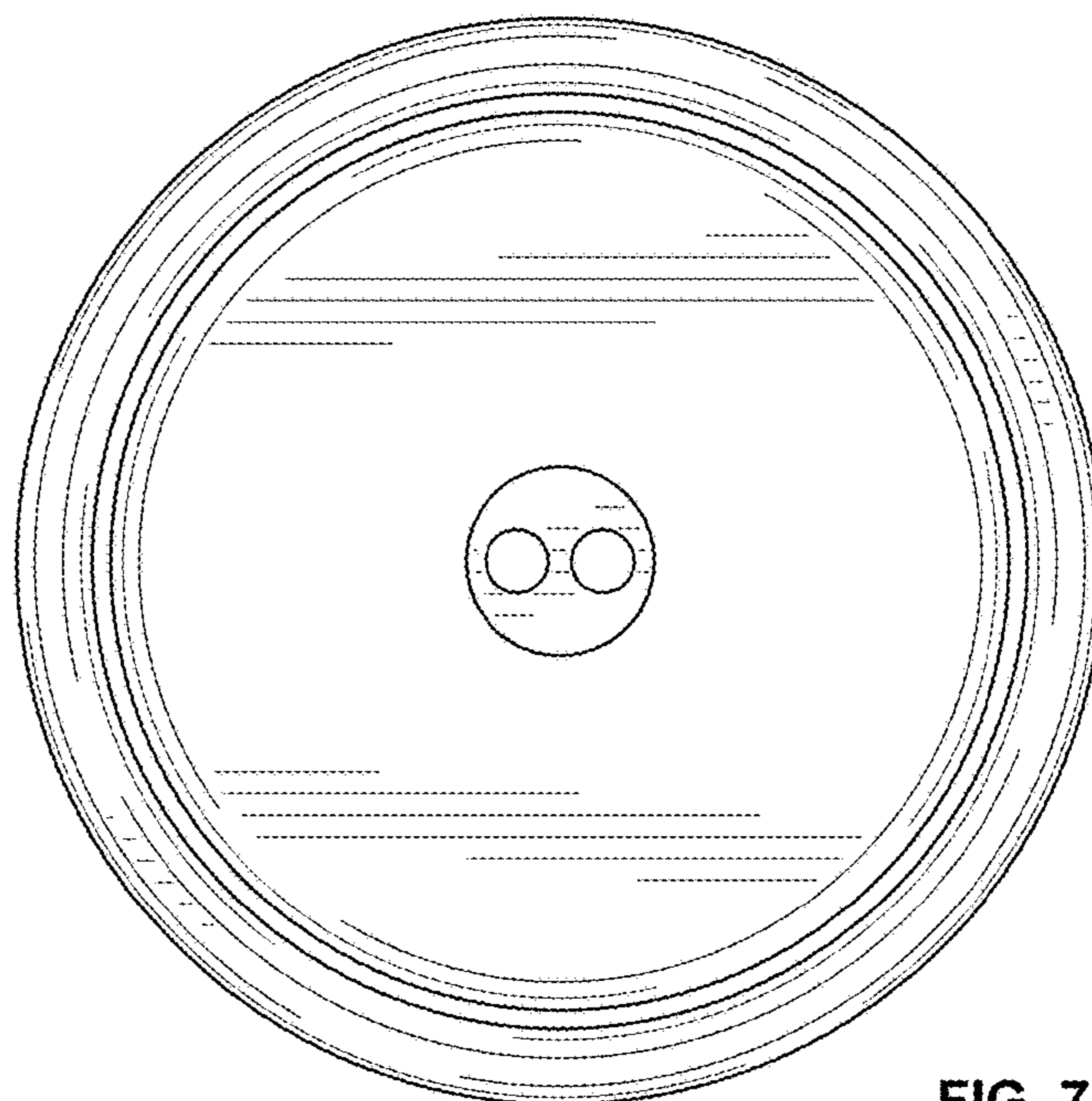


FIG. 7