



US00D867340S

(12) **United States Design Patent** (10) **Patent No.:** **US D867,340 S**
Afshar Bakooshli (45) **Date of Patent:** **** Nov. 19, 2019**

(54) **REMOTE CONTROL**

(71) Applicant: **Azadeh Afshar Bakooshli**, San Jose, CA (US)

(72) Inventor: **Azadeh Afshar Bakooshli**, San Jose, CA (US)

(73) Assignee: **AI Incorporated**, Toronto (CA)

(**) Term: **15 Years**

(21) Appl. No.: **29/637,403**

(22) Filed: **Feb. 18, 2018**

(51) **LOC (12) Cl.** **14-03**

(52) **U.S. Cl.**
USPC **D14/218**

(58) **Field of Classification Search**
USPC D14/218, 388; D13/168
CPC G08C 17/00
See application file for complete search history.

(56) **References Cited**

U.S. PATENT DOCUMENTS

D371,792 S * 7/1996 Patton D14/218
D371,793 S * 7/1996 Patton D14/218
D496,004 S * 9/2004 Borsboom D13/168
D518,030 S * 3/2006 Lin D14/218
7,167,102 B2 * 1/2007 Crichlow G01D 4/008
324/156
D632,265 S * 2/2011 Choi D13/168
8,188,842 B2 * 5/2012 Otsuka G08C 17/02
340/12.15
D668,242 S * 10/2012 Stein D14/218
D700,904 S * 3/2014 Miller D13/168
D711,345 S * 8/2014 Liu D14/140
D724,060 S * 3/2015 Ahn D14/218
D738,858 S * 9/2015 Tuhkanen D14/218
D756,333 S * 5/2016 Smith D13/168
D766,217 S * 9/2016 Smith D14/218
D766,844 S * 9/2016 Turksu D10/104.1

D794,608 S * 8/2017 Vanduynd D14/218
D794,610 S * 8/2017 Shin D14/218
D795,221 S * 8/2017 Campbell D14/218
D795,444 S * 8/2017 Chen D24/215
9,768,746 B2 * 9/2017 Zalisk G06F 3/0312
D800,841 S * 10/2017 Chen D21/333
D834,560 S * 11/2018 Hardi D14/218
10,168,744 B2 * 1/2019 Kass G06F 1/1656
D847,793 S * 5/2019 Wendling D14/218

(Continued)

FOREIGN PATENT DOCUMENTS

CN 304536281 * 3/2018
JP D1404505 * 1/2011
KR 300961727 * 6/2018

OTHER PUBLICATIONS

Circular car remote central locking key fob, Alamy Stock Photo 2007, <https://www.alamy.com/stock-photo-circular-car-remote-central-locking-key-fob-with-spa...> site visited Jun. 21, 2019.*

Primary Examiner — John Windmuller
Assistant Examiner — John R Yeh

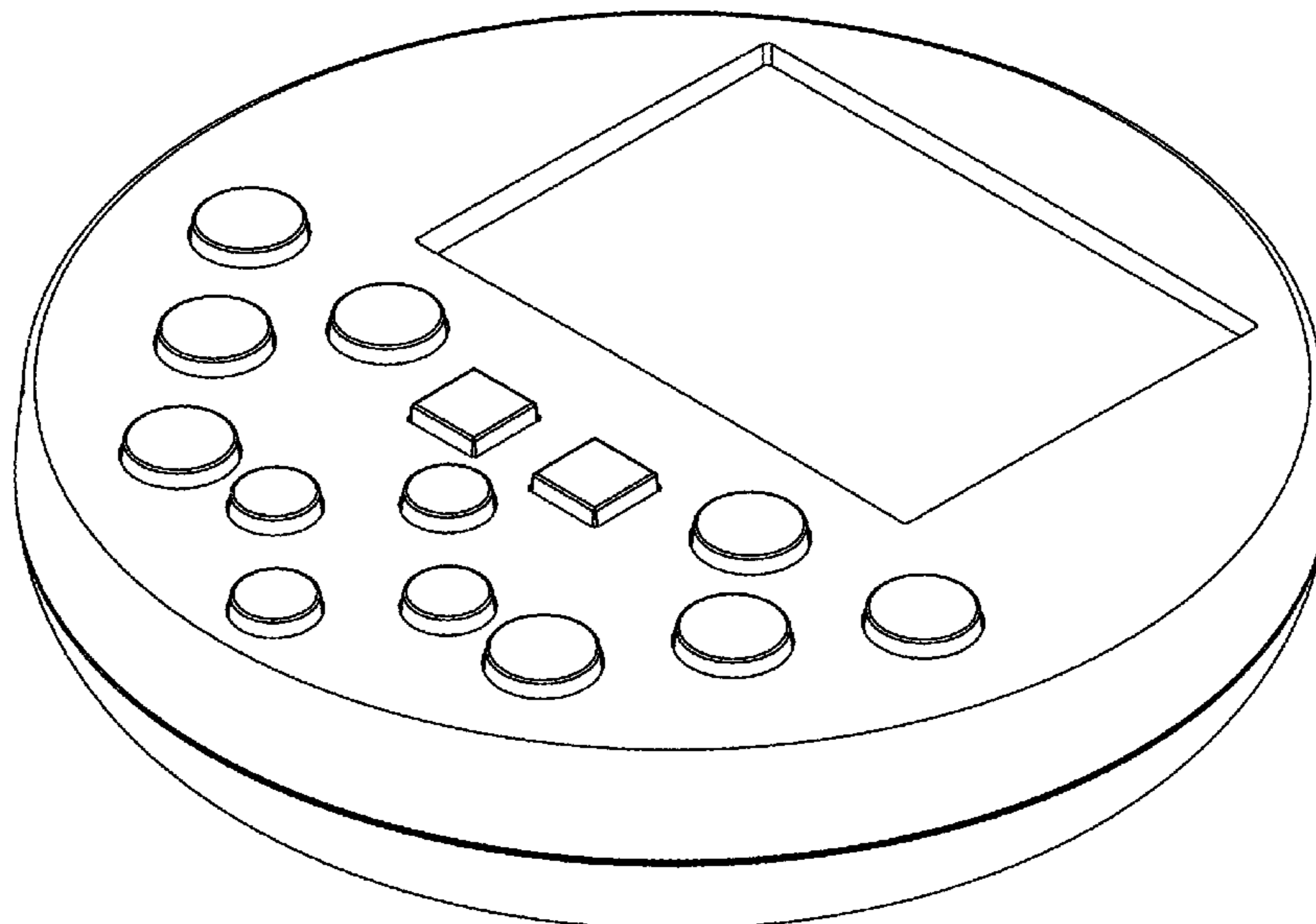
(57) **CLAIM**

The ornamental design for a remote control, as shown and described.

DESCRIPTION

FIG. 1 is a front elevation view of a remote control showing my new design;
FIG. 2 is a rear view thereof;
FIG. 3 is a bottom view thereof;
FIG. 4 is a top view thereof;
FIG. 5 is a right side perspective view thereof, the left being a mirror image;
FIG. 6 is an overhead perspective view thereof; and,
FIG. 7 is an overhead perspective view thereof.

1 Claim, 7 Drawing Sheets



(56)

References Cited

U.S. PATENT DOCUMENTS

2003/0122698 A1* 7/2003 Horie G06F 3/0231
341/176

* cited by examiner

FIG. 1

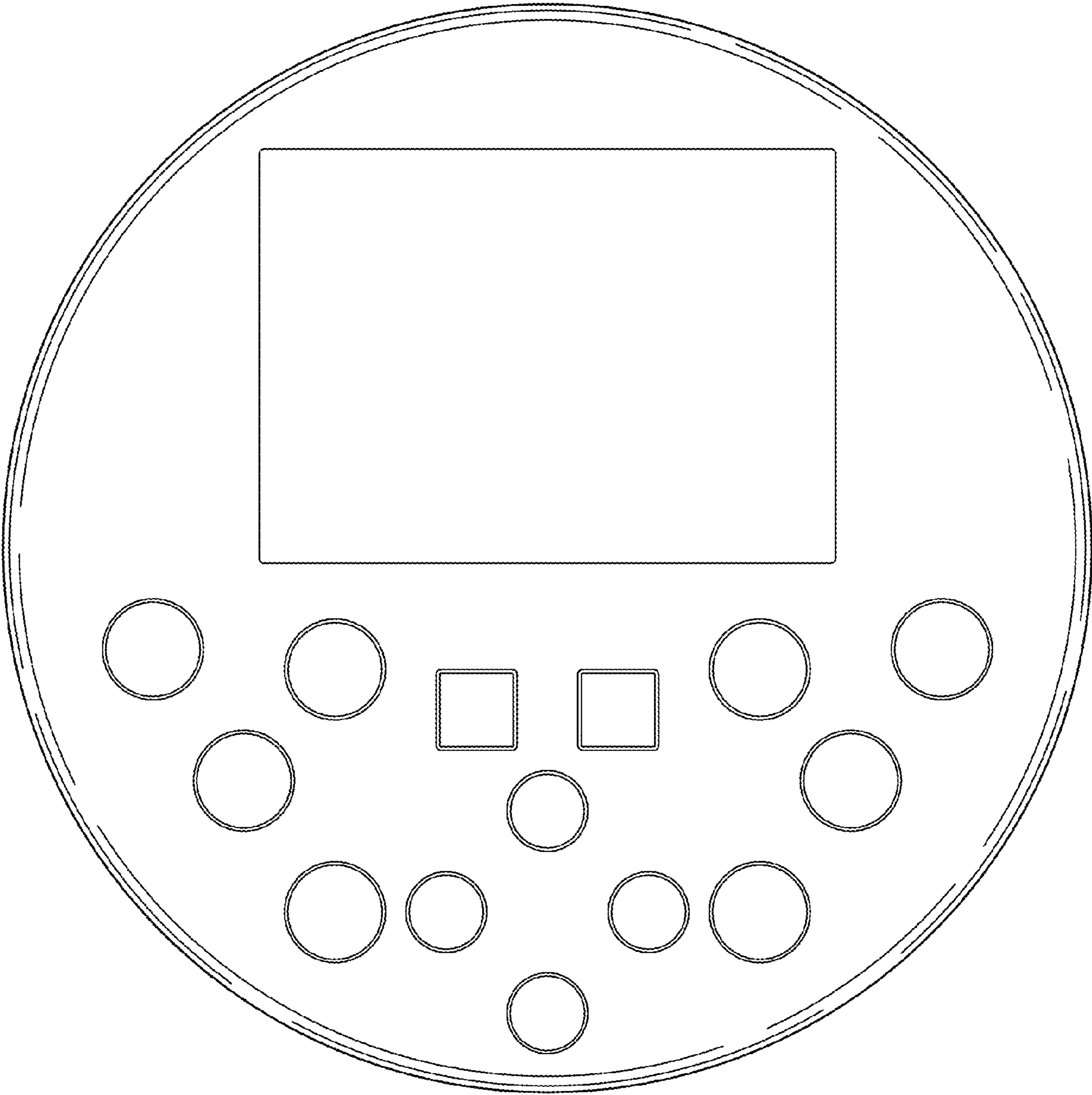


FIG. 2

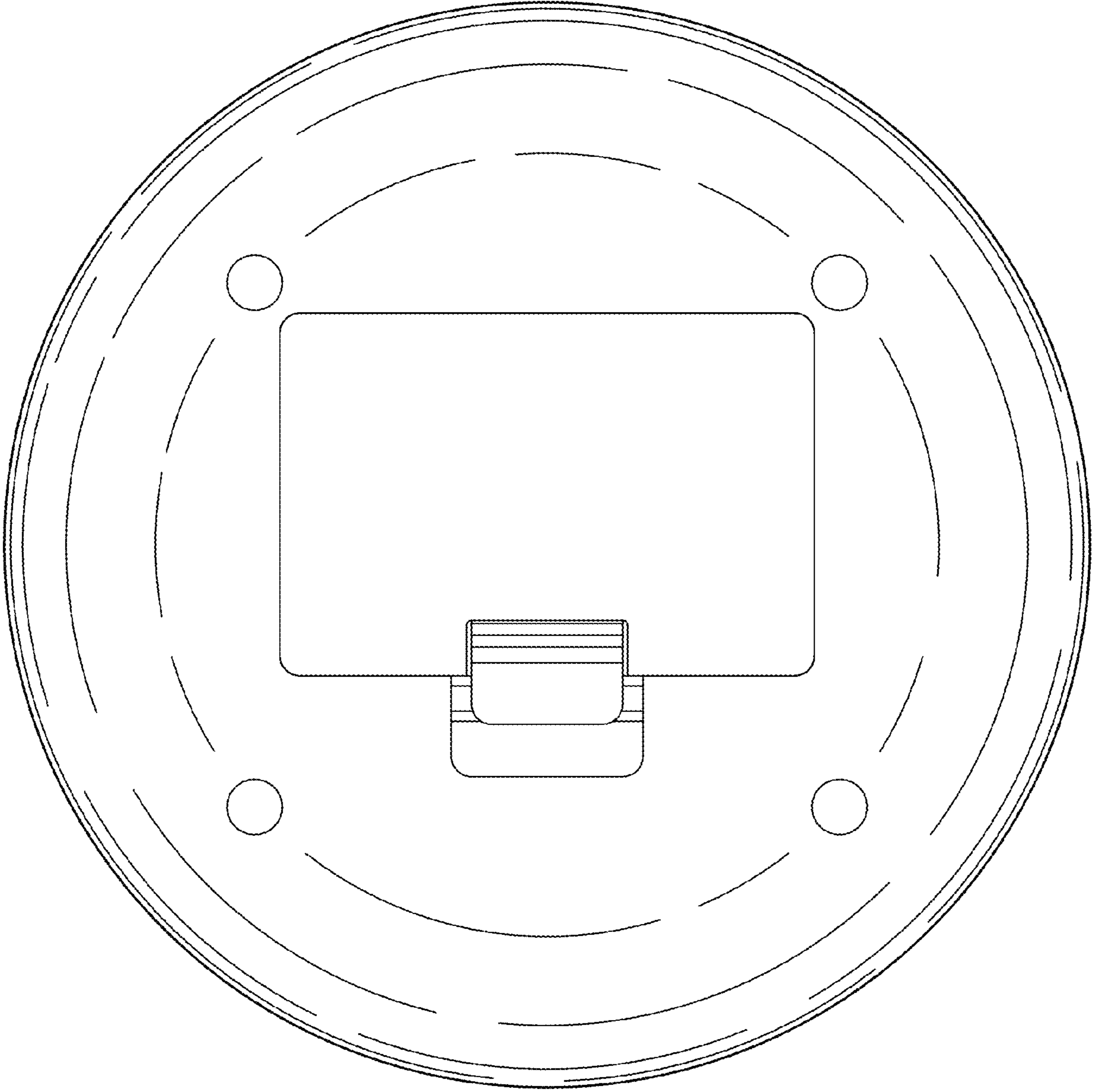


FIG. 3

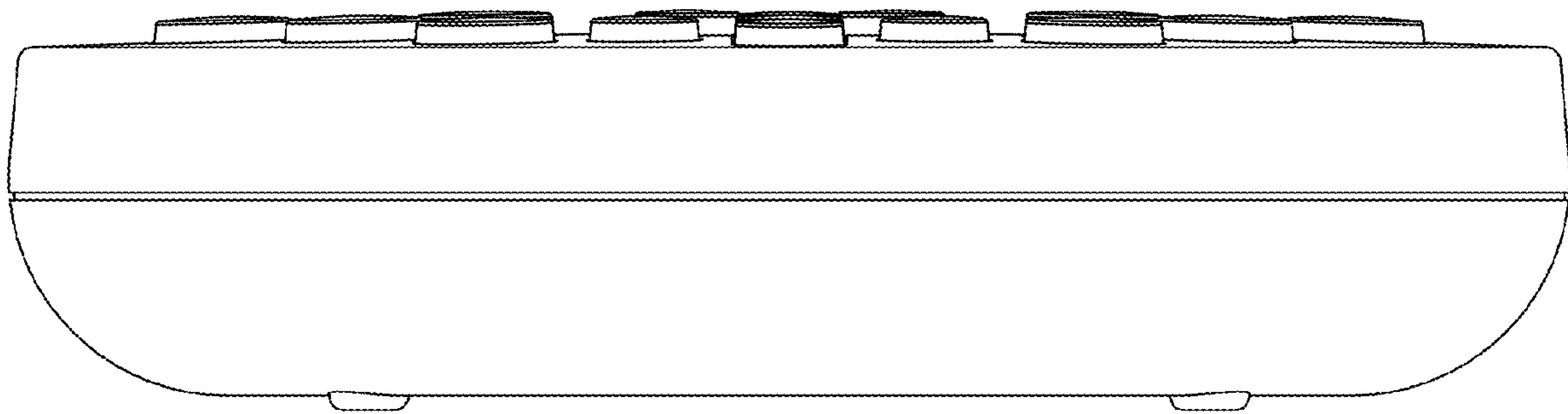


FIG. 4

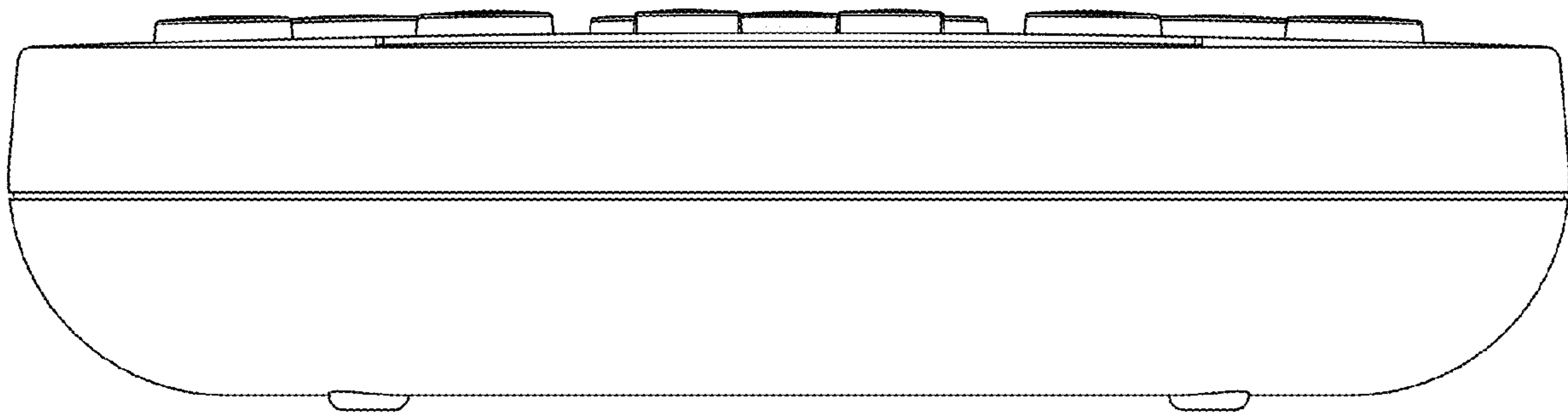


FIG. 5

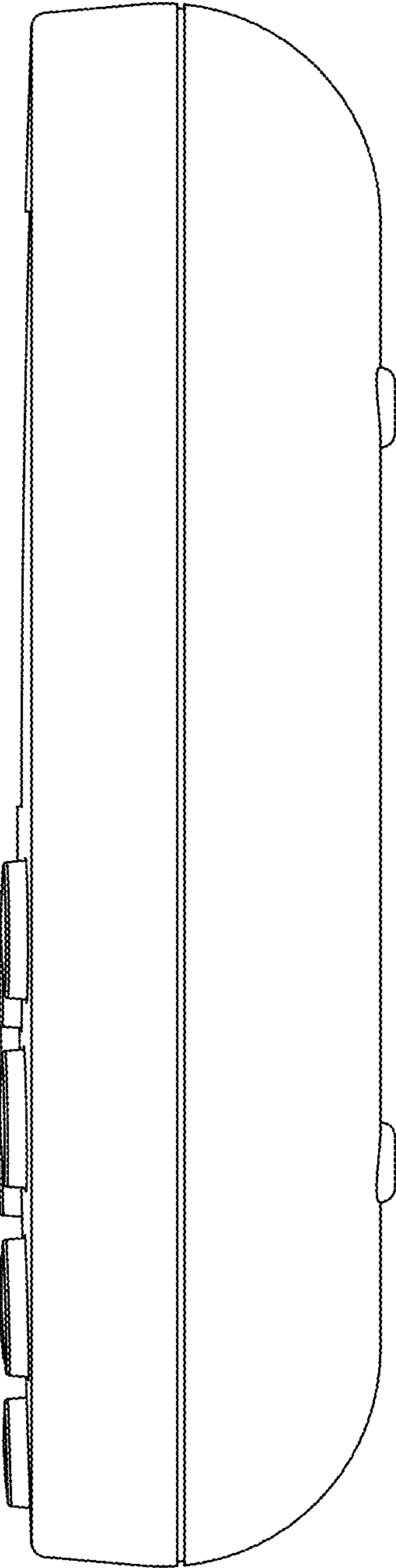


FIG. 6

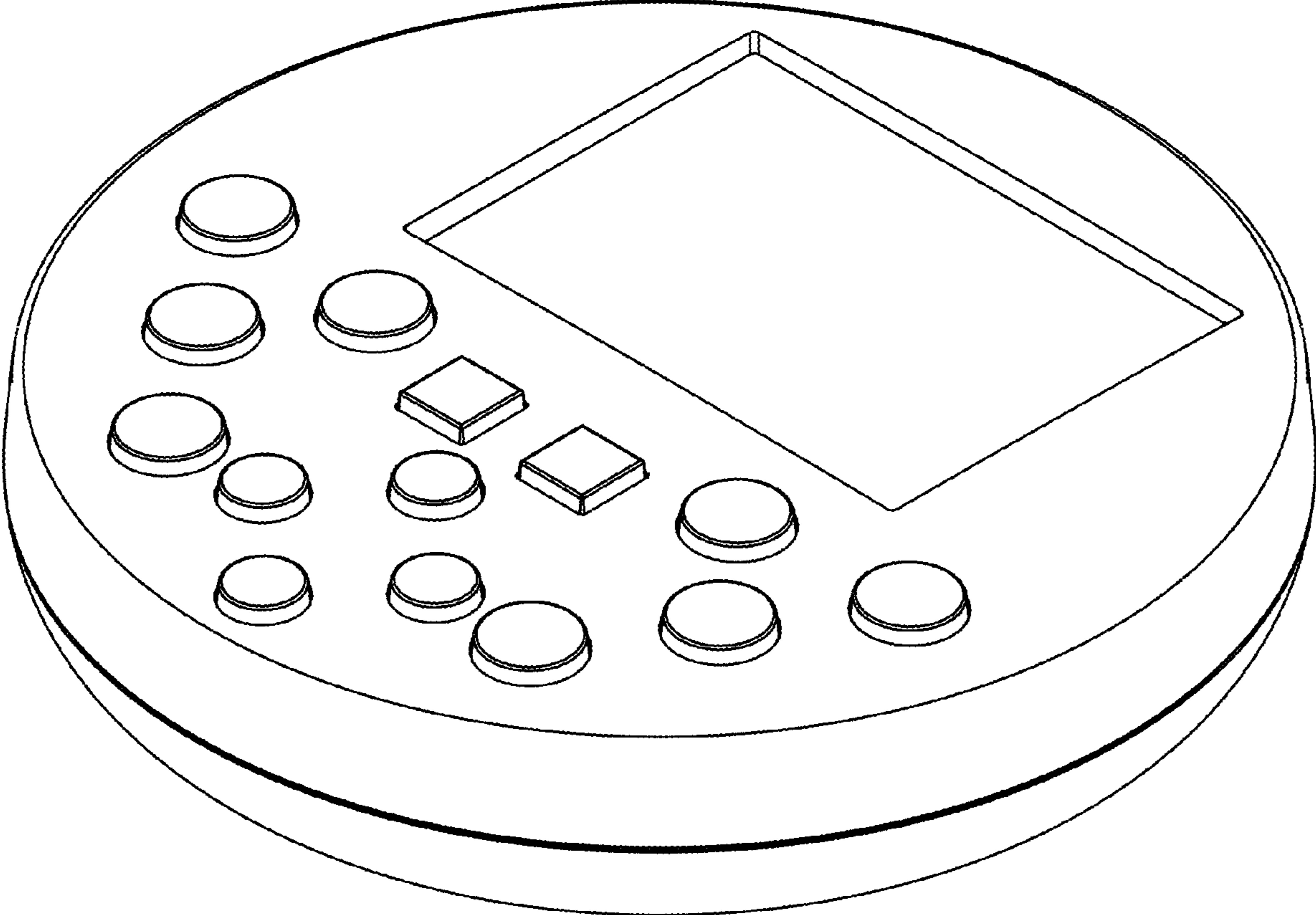


FIG. 7

