

US00D867338S

(12) **United States Design Patent** (10) **Patent No.:** **US D867,338 S**  
**Rüegg et al.** (45) **Date of Patent:** **\*\* Nov. 19, 2019**

(54) **PRESENTER DEVICE**  
(71) Applicant: **Logitech Europe S.A.**, Lausanne (CH)  
(72) Inventors: **Martin Caspar Rüegg**, MuttENZ (CH); **Jasper Phua**, Morges (CH); **Stone Wang**, Hsinchu (TW); **James O'Connor**, Bishopstown (IE); **Khodayar Feiz**, Amsterdam (NL)

(73) Assignee: **Logitech Europe S.A.**, Lausanne (CH)  
(\*\*) Term: **15 Years**

(21) Appl. No.: **29/627,596**  
(22) Filed: **Nov. 28, 2017**  
(51) **LOC (12) Cl.** ..... **14-03**  
(52) **U.S. Cl.**  
USPC ..... **D14/218**  
(58) **Field of Classification Search**  
USPC ..... D14/218; D13/168  
See application file for complete search history.

(56) **References Cited**

**U.S. PATENT DOCUMENTS**

|              |         |                |         |
|--------------|---------|----------------|---------|
| D366,875 S * | 2/1996  | Kakizaki ..... | D14/218 |
| D389,806 S * | 1/1998  | Nielsen .....  | D13/168 |
| D527,006 S * | 8/2006  | Francz .....   | D14/218 |
| D584,292 S * | 1/2009  | Knight .....   | D14/218 |
| D597,038 S * | 7/2009  | Glassman ..... | D13/168 |
| D620,490 S * | 7/2010  | Avery .....    | D14/341 |
| D632,673 S * | 2/2011  | Isaias .....   | D14/218 |
| D656,127 S * | 3/2012  | Kay .....      | D14/218 |
| D679,680 S * | 4/2013  | Wood .....     | D14/218 |
| D681,012 S * | 4/2013  | Fei .....      | D14/218 |
| D693,331 S * | 11/2013 | Kim .....      | D14/218 |
| D693,333 S * | 11/2013 | Joe .....      | D14/218 |
| D697,500 S * | 1/2014  | Tsai .....     | D14/218 |
| D742,361 S * | 11/2015 | Choi .....     | D13/168 |
| D746,266 S * | 12/2015 | Kwon .....     | D14/218 |
| D773,407 S * | 12/2016 | Kim .....      | D13/168 |

|              |        |                |         |
|--------------|--------|----------------|---------|
| D776,640 S * | 1/2017 | Simonian ..... | D14/218 |
| D789,221 S * | 6/2017 | Miller .....   | D10/46  |
| D789,363 S * | 6/2017 | Jentz .....    | D14/218 |
| D795,221 S * | 8/2017 | Campbell ..... | D14/218 |
| D798,274 S * | 9/2017 | Huang .....    | D14/218 |
| D798,275 S * | 9/2017 | Huang .....    | D14/218 |
| D808,454 S * | 1/2018 | Seflic .....   | D16/200 |

(Continued)

**FOREIGN PATENT DOCUMENTS**

RU 00109904 \* 7/2018

**OTHER PUBLICATIONS**

Amazon.com : Logitech Professional Presenter R800 R500, oldest reviews 2018, site visited Jun. 21, 2019, [https://www.amazon.com/dp/B07CC7DMX8/ref=twister\\_B07DWLKC4K?\\_encoding=UTF...](https://www.amazon.com/dp/B07CC7DMX8/ref=twister_B07DWLKC4K?_encoding=UTF...)

(Continued)

*Primary Examiner* — John Windmuller

*Assistant Examiner* — John R Yeh

(74) *Attorney, Agent, or Firm* — Kilpatrick Townsend & Stockton LLP

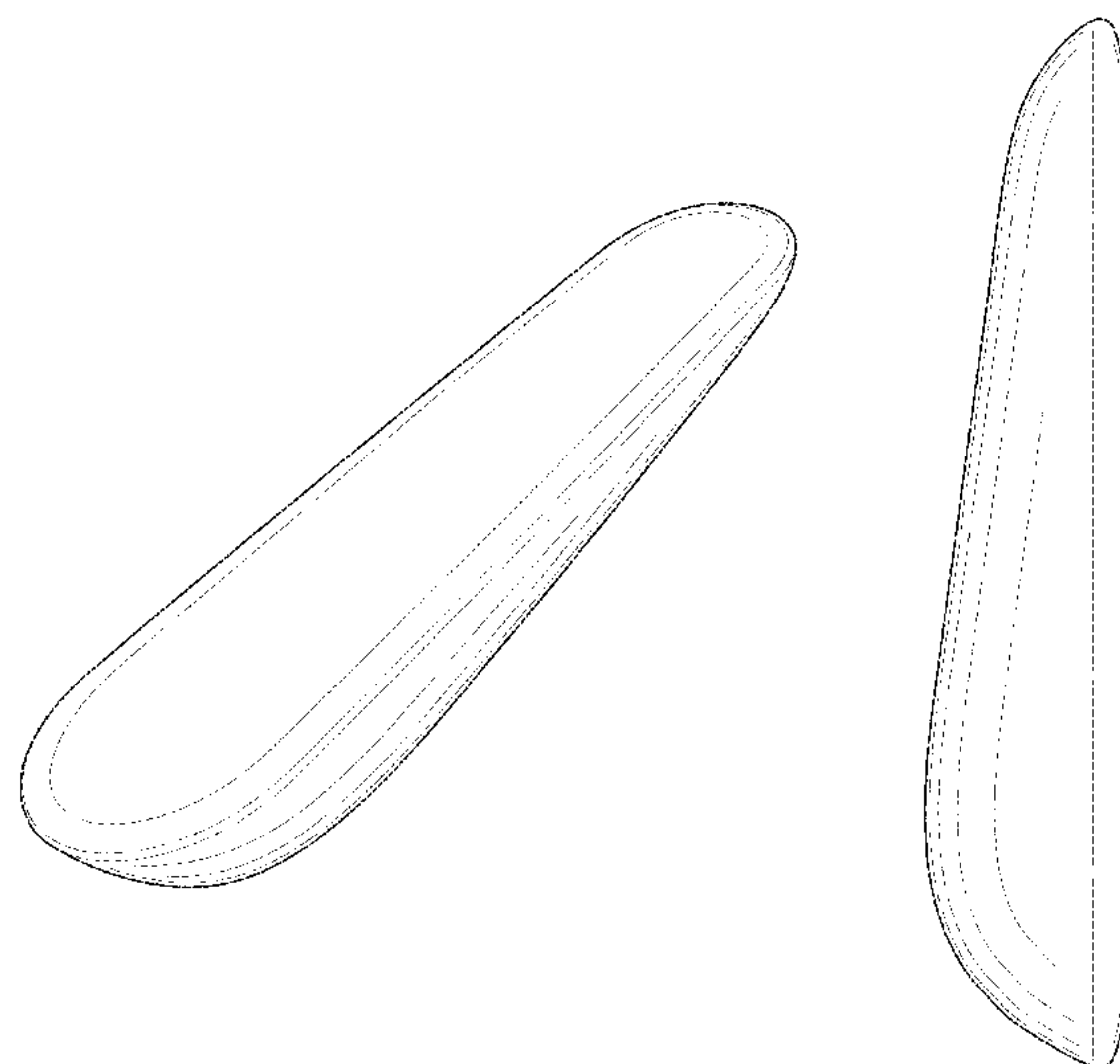
(57) **CLAIM**

The ornamental design for presenter device, as shown and described.

**DESCRIPTION**

FIG. 1 is a perspective view of a first embodiment of our presenter device showing our design; FIG. 2 is a top plan view thereof; FIG. 3 is a bottom plan view thereof; FIG. 4 is a left side plan view thereof; FIG. 5 is a right side plan view thereof; FIG. 6 is front plan view thereof; and, FIG. 7 is a back plan view thereof.

**1 Claim, 4 Drawing Sheets**



(56)

**References Cited**

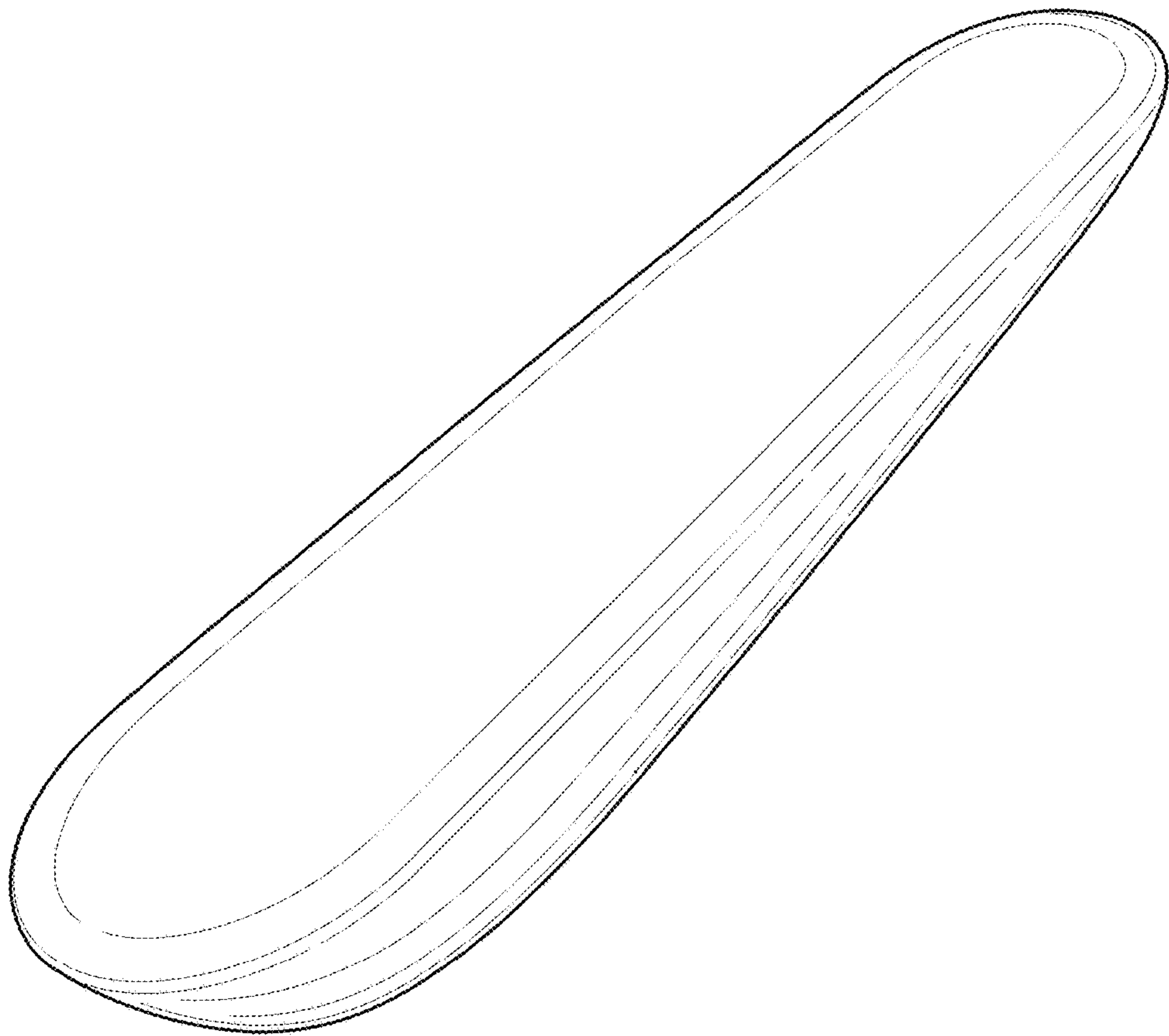
U.S. PATENT DOCUMENTS

D838,684 S \* 1/2019 Nohara ..... D14/167  
D851,632 S \* 6/2019 Smith ..... D14/218

OTHER PUBLICATIONS

Logitech R500 presentation remote control—CDW website 2019,  
[https://m.cdw.com/product/logitech-r500-presentation-remote-control/  
5155319](https://m.cdw.com/product/logitech-r500-presentation-remote-control/5155319), site visited Jun. 21, 2019.\*

\* cited by examiner



*FIG. 1*

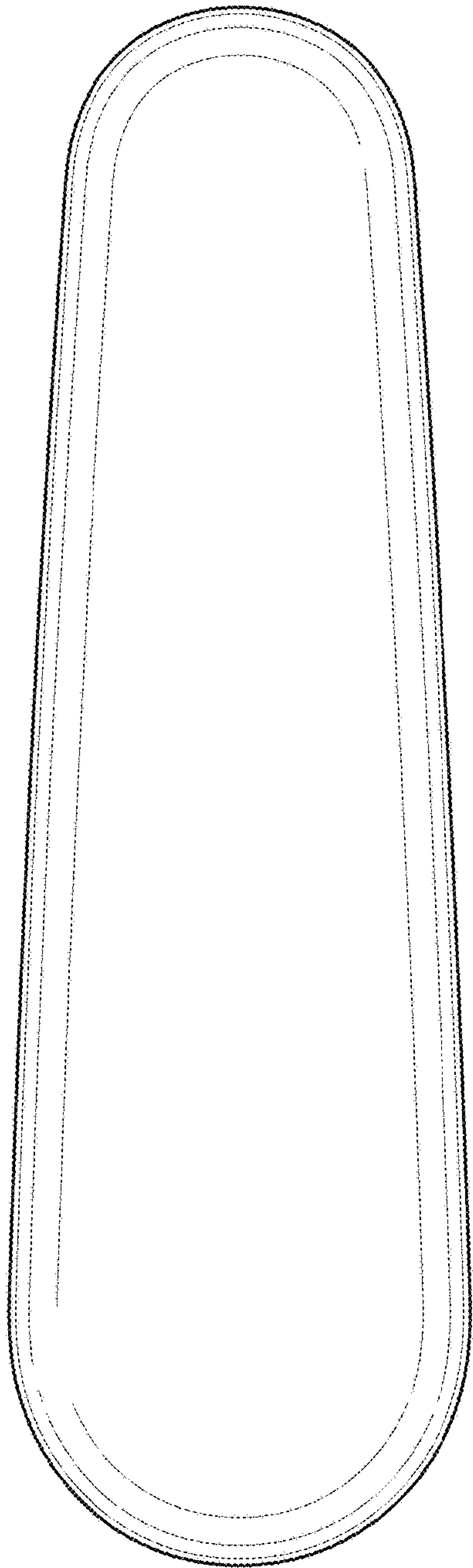


FIG. 2

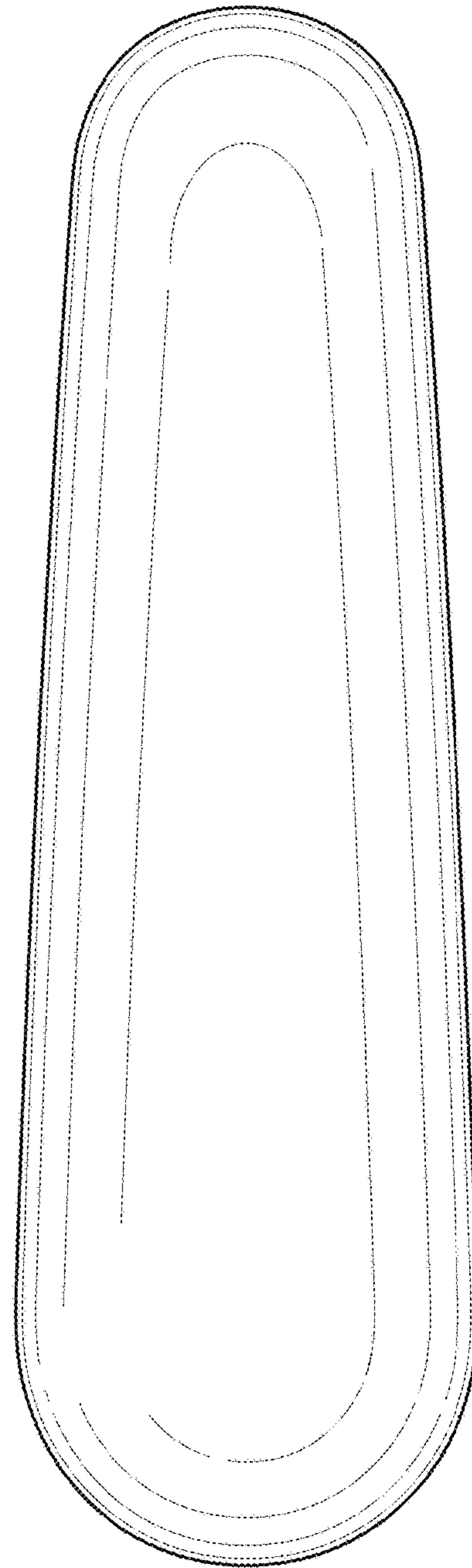


FIG. 3

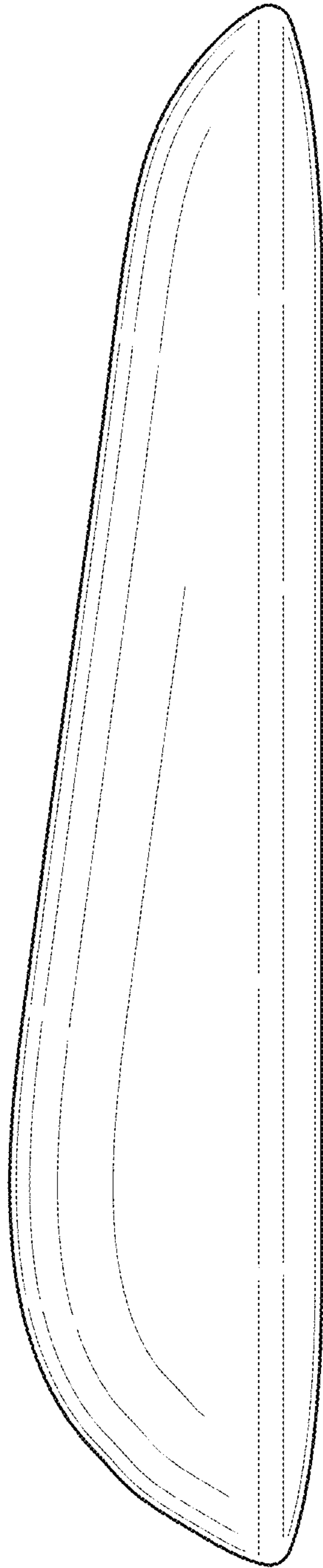


FIG. 4

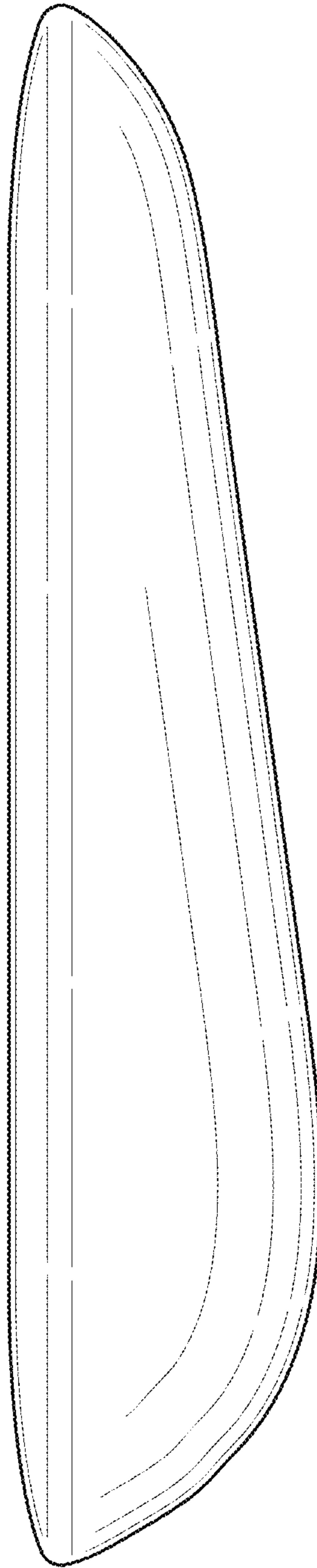


FIG. 5

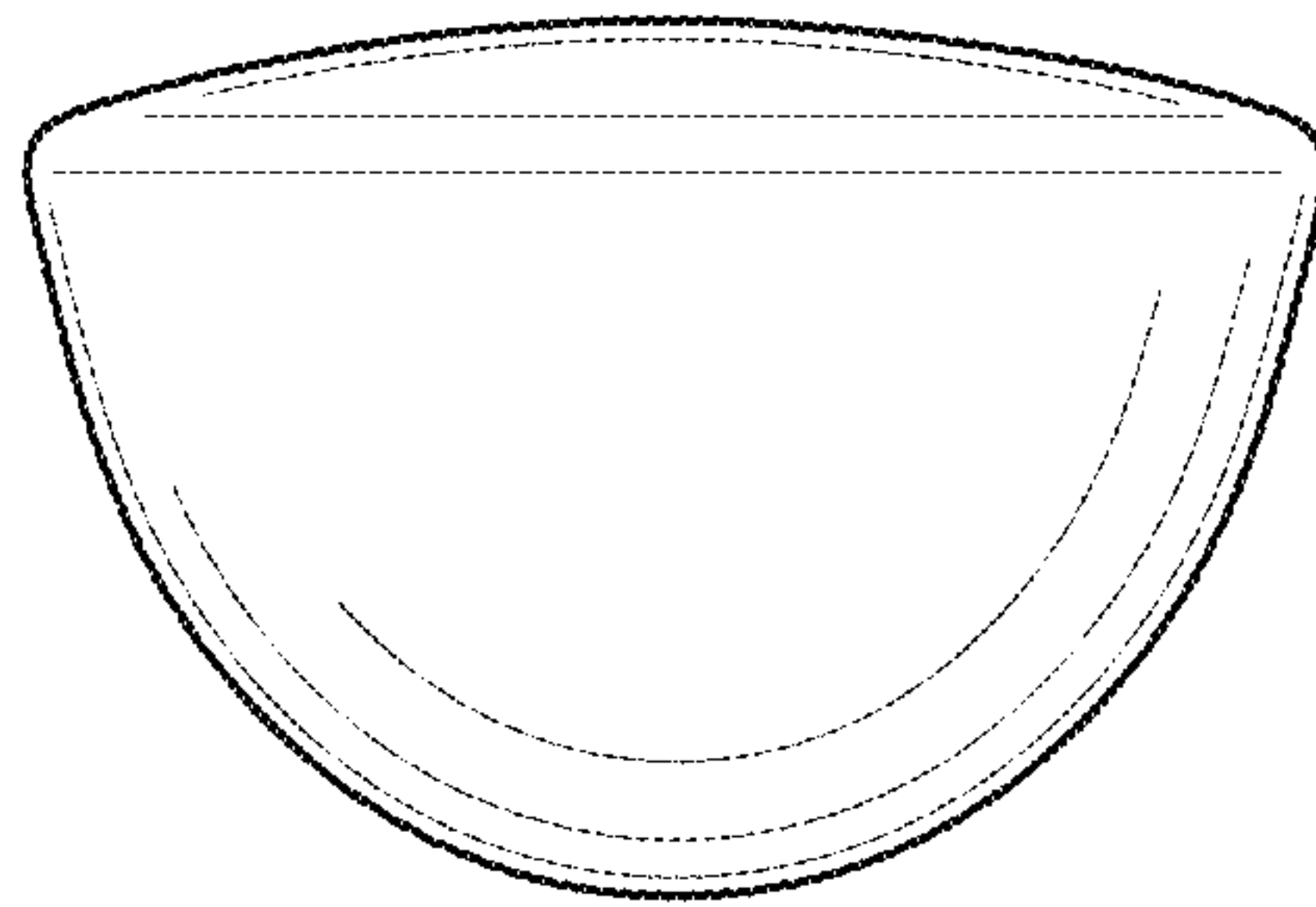


FIG. 6

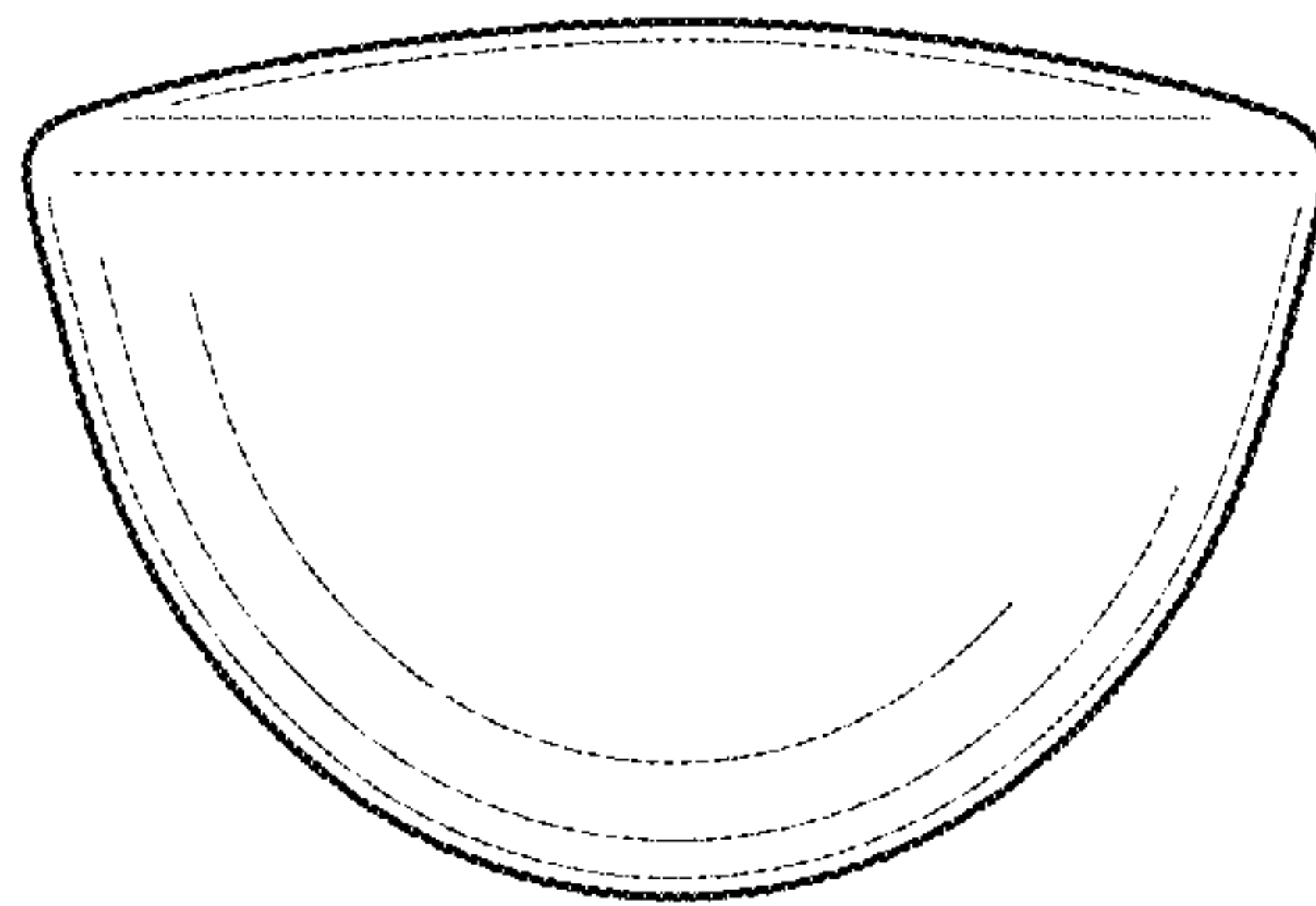


FIG. 7