

US00D867336S

(12) **United States Design Patent** (10) **Patent No.:** **US D867,336 S**  
**Fiedler et al.** (45) **Date of Patent:** **\*\* Nov. 19, 2019**

(54) **KEYFOB**  
(71) Applicant: **Fibar Group S.A.**, Poznan (PL)  
(72) Inventors: **Maciej Fiedler**, Poznan (PL); **Lukasz Gdyk**, Dabrowka (PL)  
(73) Assignee: **FIBAR GROUP S.A.**, Poznan (PL)  
(\*\*) Term: **15 Years**  
(21) Appl. No.: **29/619,154**  
(22) Filed: **Sep. 27, 2017**

D710,314 S 5/2014 Safford  
D742,361 S 11/2015 Choi  
D752,025 S \* 3/2016 Akana ..... D14/218  
D786,219 S 5/2017 Shimonishi  
D791,087 S 7/2017 Kajiura  
D805,484 S \* 12/2017 Bristol ..... D13/168  
D813,178 S \* 3/2018 Tobias ..... D13/168  
2003/0201903 A1 \* 10/2003 Shen ..... H05B 33/0803  
340/815.45  
2010/0238640 A1 \* 9/2010 Yang ..... H04M 1/236  
361/811  
2017/0135233 A1 \* 5/2017 Tompkins ..... H05K 5/0217  
2017/0135236 A1 \* 5/2017 Tompkins ..... H05K 5/0221  
2017/0170446 A1 \* 6/2017 Tompkins ..... H01M 2/34

\* cited by examiner

**Related U.S. Application Data**

(62) Division of application No. 29/577,576, filed on Sep. 14, 2016, now Pat. No. Des. 812,041.  
(51) **LOC (12) Cl.** ..... **14-01**  
(52) **U.S. Cl.**  
USPC ..... **D14/218**  
(58) **Field of Classification Search**  
USPC ..... D13/168; D14/137-139, 150, 151, 217,  
D14/218, 240, 247, 388-390, 396, 511,  
D14/455; D21/324-333, 512, 516, 517  
CPC ..... G08C 19/12; H04N 5/44; H04L 17/02  
See application file for complete search history.

*Primary Examiner* — Mark A Goodwin

*Assistant Examiner* — Benjamin M Weeks

(74) *Attorney, Agent, or Firm* — McAndrews, Held & Malloy, Ltd.

(57) **CLAIM**

The ornamental design for a keyfob, as shown and described.

**DESCRIPTION**

FIG. 1 is a top front perspective view of a keyfob showing our new design;  
FIG. 2 is a front view thereof;  
FIG. 3 is a back view thereof;  
FIG. 4 is a left side view thereof;  
FIG. 5 is a right side view thereof;  
FIG. 6 is a top perspective view thereof; and,  
FIG. 7 is a bottom perspective view thereof.

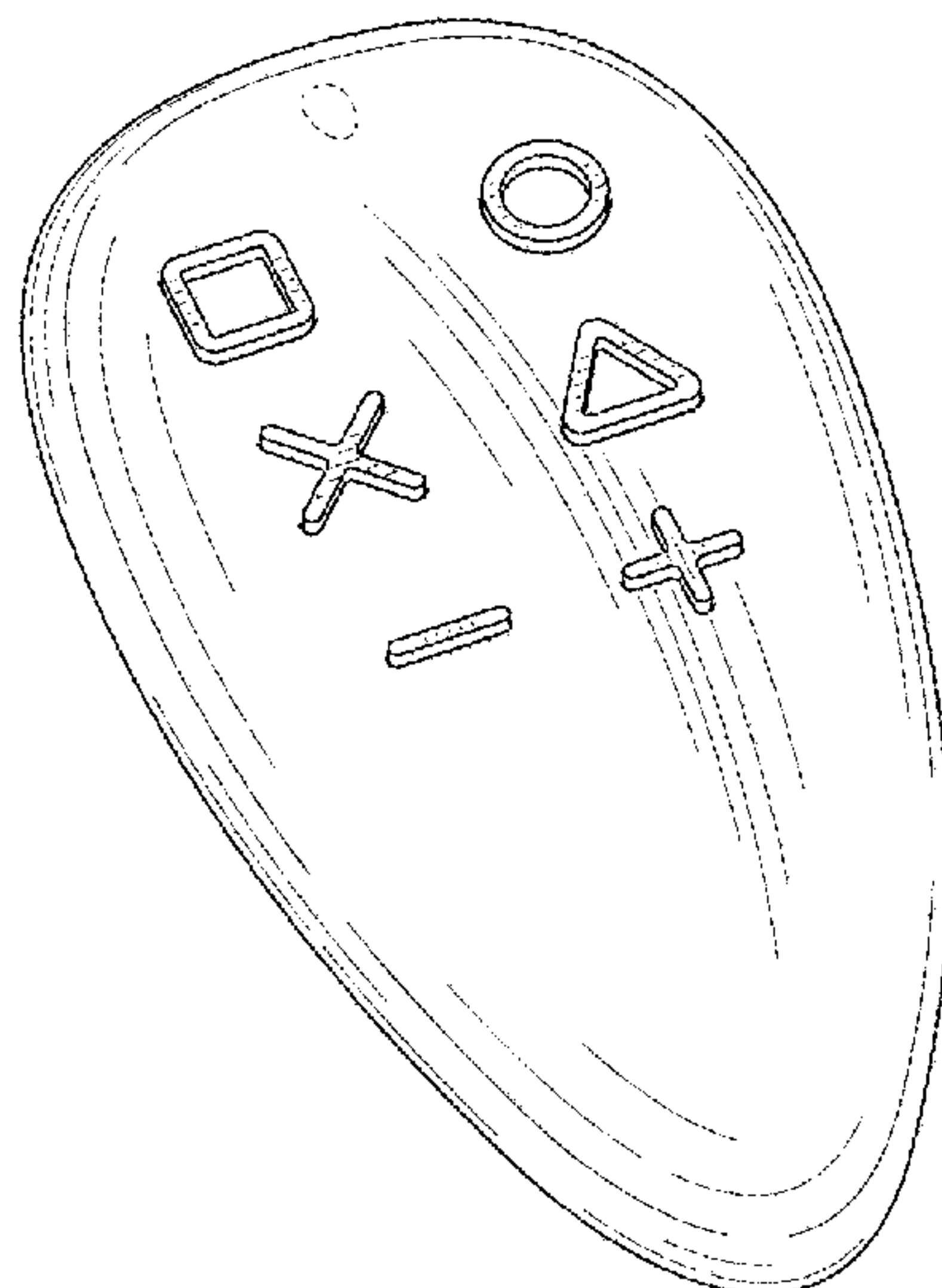
The broken lines represent portions of the keyfob that form no part of the claimed design. The shade lines in the drawings show contour and not surface ornamentation.

**1 Claim, 4 Drawing Sheets**

(56) **References Cited**

**U.S. PATENT DOCUMENTS**

D482,336 S \* 11/2003 Stekelenburg ..... D13/168  
D490,100 S 5/2004 Su  
D500,015 S 12/2004 Gubbe  
D550,168 S 9/2007 Chang  
D566,075 S 4/2008 Leng  
D573,981 S 7/2008 Hoehn  
D659,124 S 5/2012 Rodriguez  
D684,939 S 6/2013 Cook



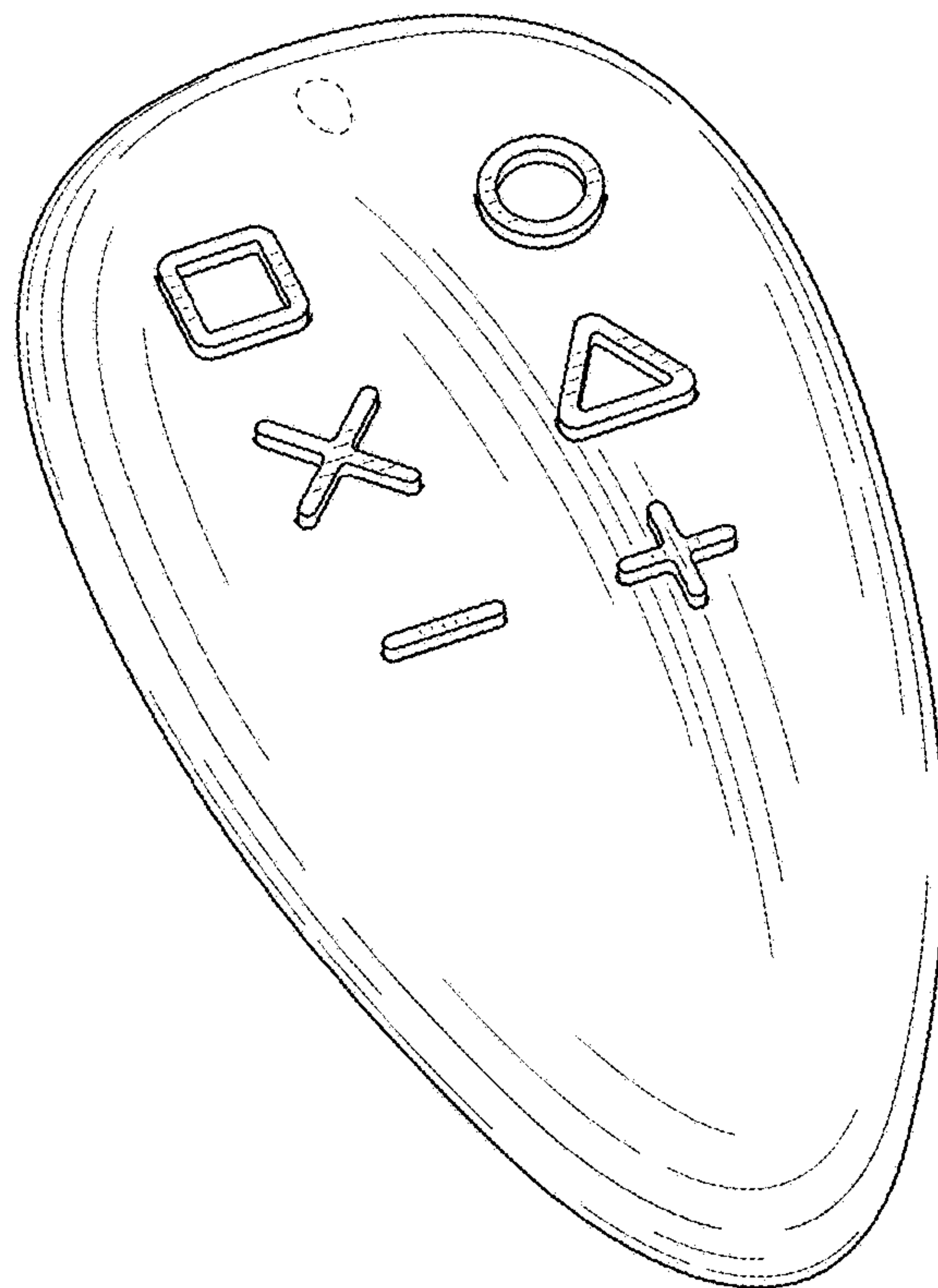


FIG. 1

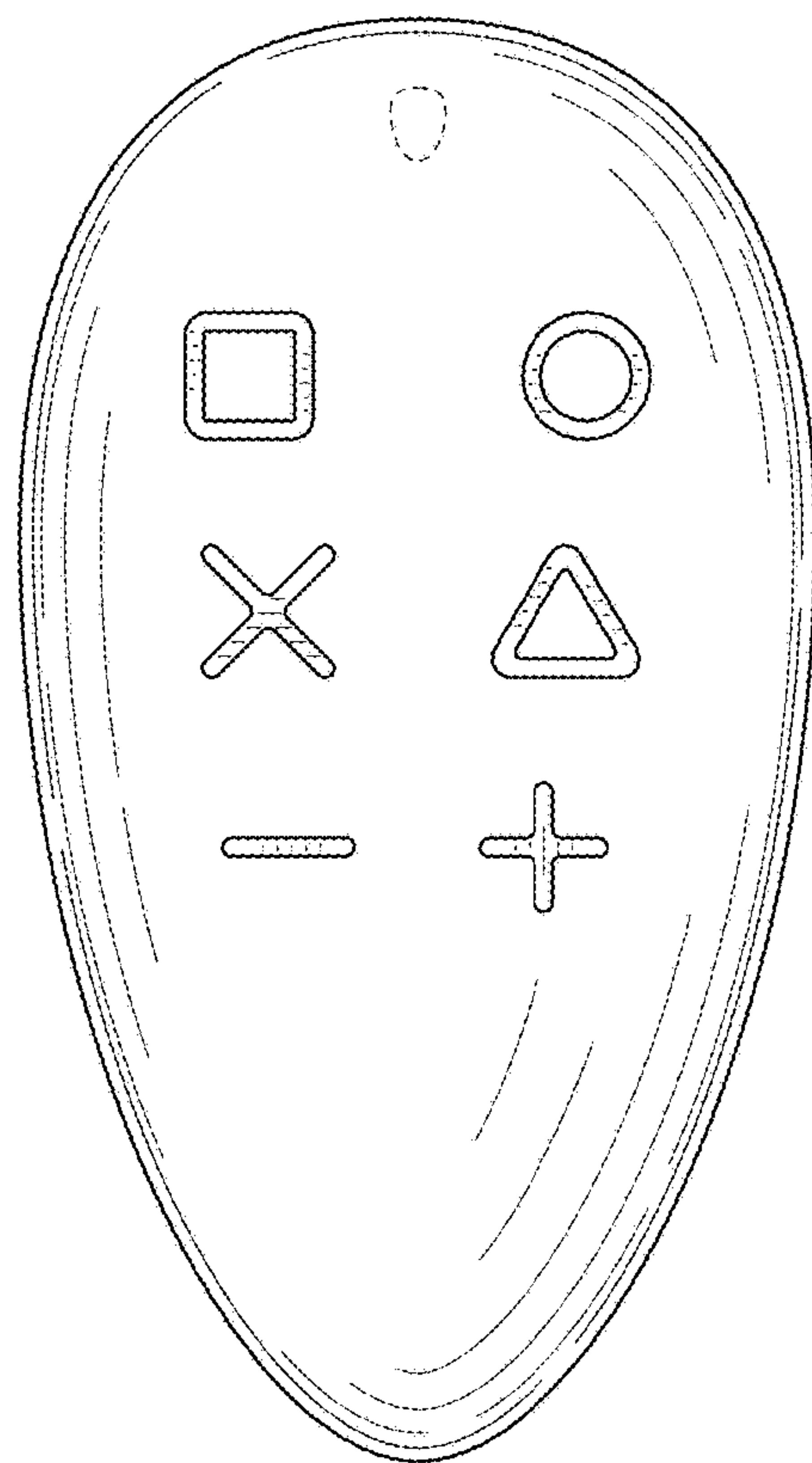


FIG. 2

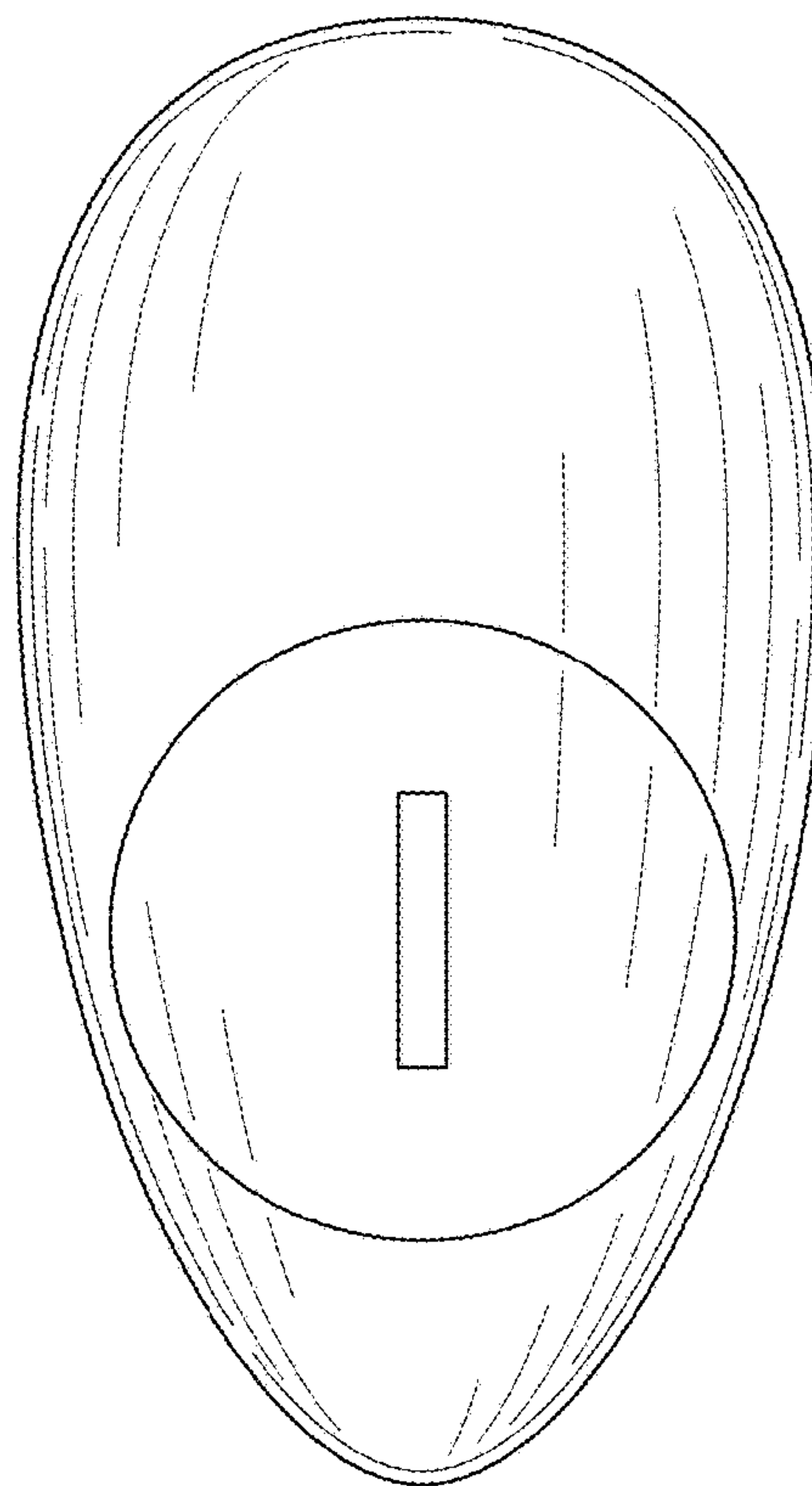


FIG. 3

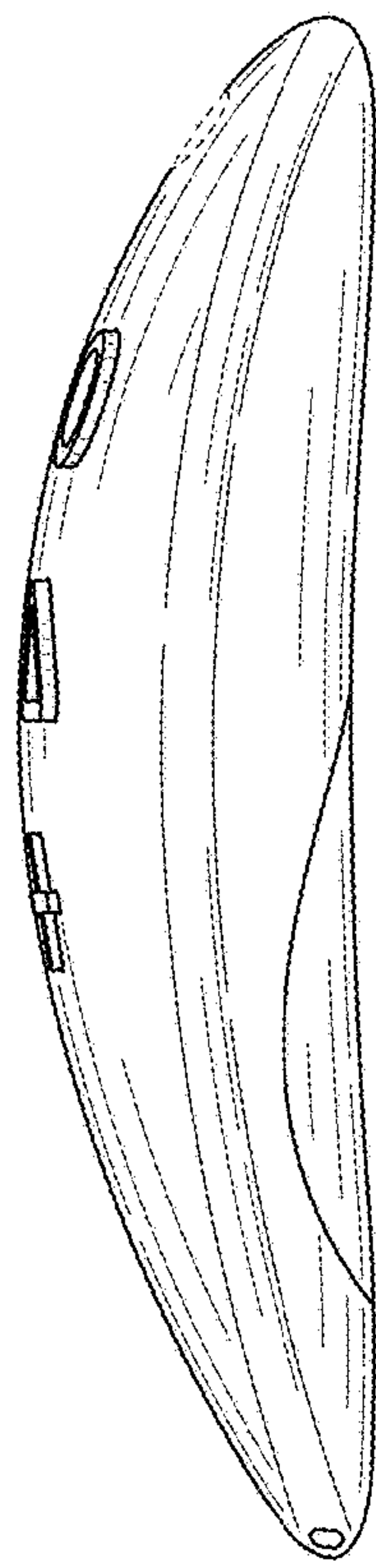


FIG. 4

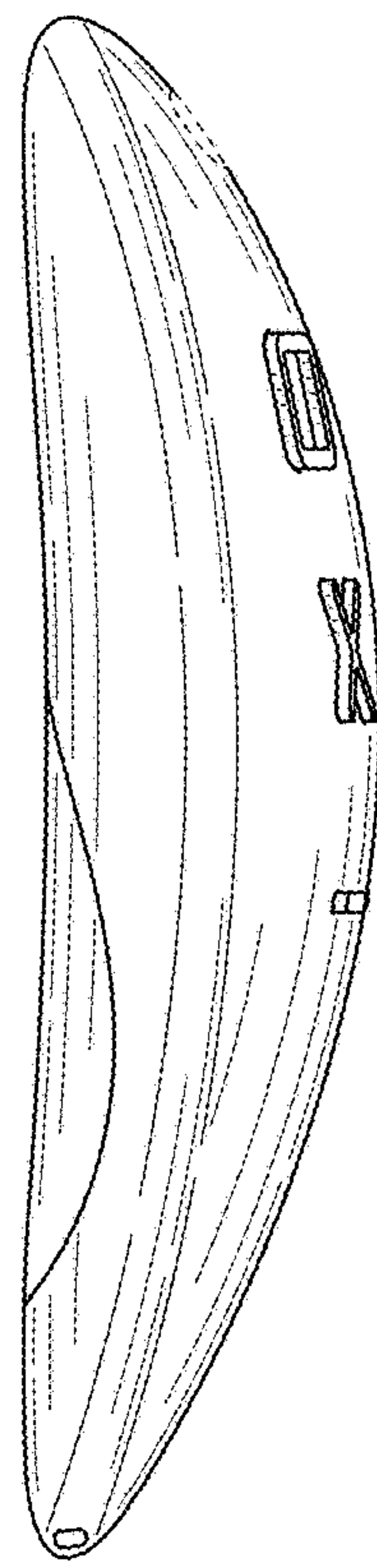


FIG. 5

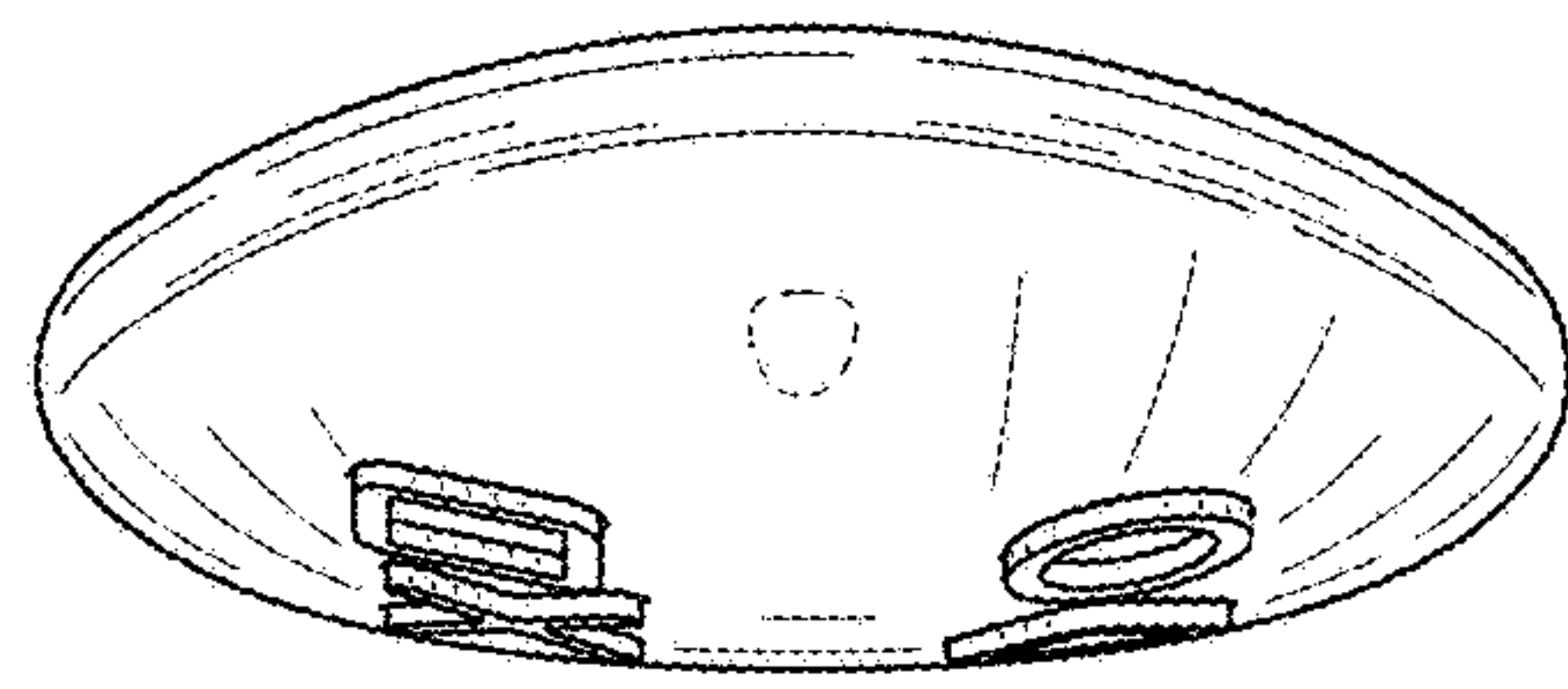


FIG. 6

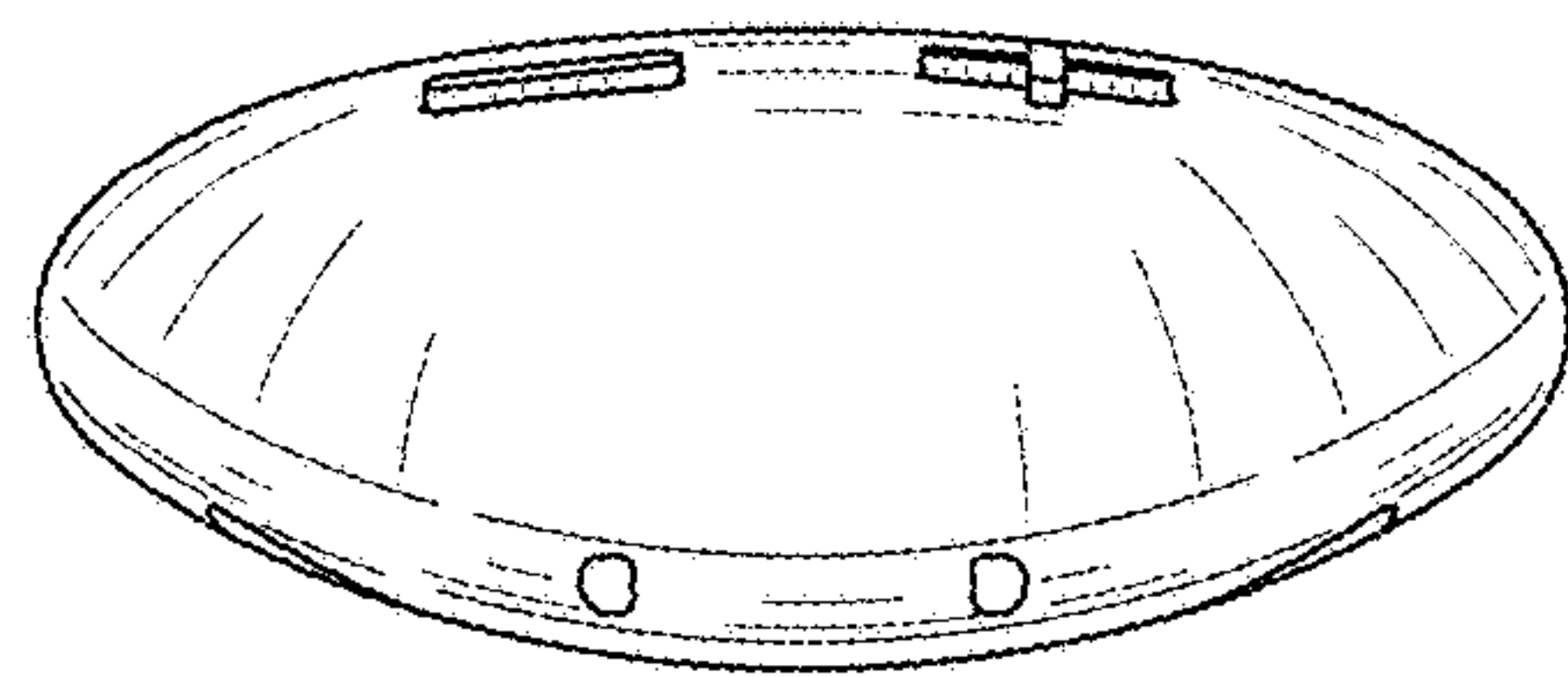


FIG. 7