

US00D867332S

(12) **United States Design Patent**
Xiao

(10) **Patent No.:** **US D867,332 S**

(45) **Date of Patent:** **** Nov. 19, 2019**

(54) **MOBILE DEVICE CHARGING CRADLE WITH SPEAKERS**

(71) Applicant: **Shenzhen Tianyuwei Science and Technology Co., Ltd., Shenzhen (CN)**

(72) Inventor: **Hui Xiao, Langao (CN)**

(73) Assignee: **Shenzhen Tianyuwei Science and Technology Co., Ltd. (CN)**

(**) Term: **15 Years**

(21) Appl. No.: **29/636,176**

(22) Filed: **Feb. 6, 2018**

(51) **LOC (12) Cl.** **14-03**

(52) **U.S. Cl.**
USPC **D14/209.1; D13/108**

(58) **Field of Classification Search**
USPC D14/434, 356, 358, 447, 496, 149, 221, D14/224, 224.1, 238.1, 240, 251, 252, D14/253, 209.1, 217, 168, 172; D13/107, D13/108

CPC G06F 1/16; G06F 1/1616; G06F 1/1626; G06F 1/1632; G06F 1/1688; G06F 13/00; H01M 10/44; F16M 11/10; F16M 11/20; H02J 7/0042; H02J 7/00; H02J 7/0027; H02J 7/0044; H02J 7/0045; H02J 7/355; H02J 7/025; H01R 31/065; H04R 1/025; H04R 5/04; H04M 1/6033

See application file for complete search history.

(56) **References Cited**

U.S. PATENT DOCUMENTS

D451,504 S	*	12/2001	Edwards	D14/253
D460,962 S	*	7/2002	Peiker	D14/253
D460,971 S	*	7/2002	Sica	D14/434
D475,044 S	*	5/2003	Kohli	D14/243
D478,073 S	*	8/2003	Topinka	D14/253
D508,458 S	*	8/2005	Solland	D13/108
D509,183 S	*	9/2005	Solland	D13/108

D510,926 S	*	10/2005	Jerome	D14/168
D516,025 S	*	2/2006	Quinn	D13/108
D524,807 S	*	7/2006	Topinka	D14/253
D527,704 S	*	9/2006	Rodarte	D13/108
D536,665 S	*	2/2007	Solland	D13/108
D543,936 S	*	6/2007	Wada	D13/108
D545,810 S	*	7/2007	Hussaini	D14/168
D546,823 S	*	7/2007	Dayan	D14/253
D554,583 S	*	11/2007	Solland	D13/108
D558,207 S	*	12/2007	Ikeda	D14/434
D558,208 S	*	12/2007	Ikeda	D14/434
D558,666 S	*	1/2008	Park	D13/108
D566,682 S	*	4/2008	Marash	D14/149

(Continued)

OTHER PUBLICATIONS

Multifunctional sound charger. (Design—© Questel) orbit.com. [online PDF] 11 pgs. Print Dates range Apr. 3, 2018-Sep. 14, 2018. [Retrieved on May 8, 2019] <https://sojprd.questel.fr/export/QPTUJ214/pdf2/cc9813f7-6ced-4e64-94b4-2f2dedf5623a-223214.pdf>.*

Primary Examiner — Marie D. Fast Horse

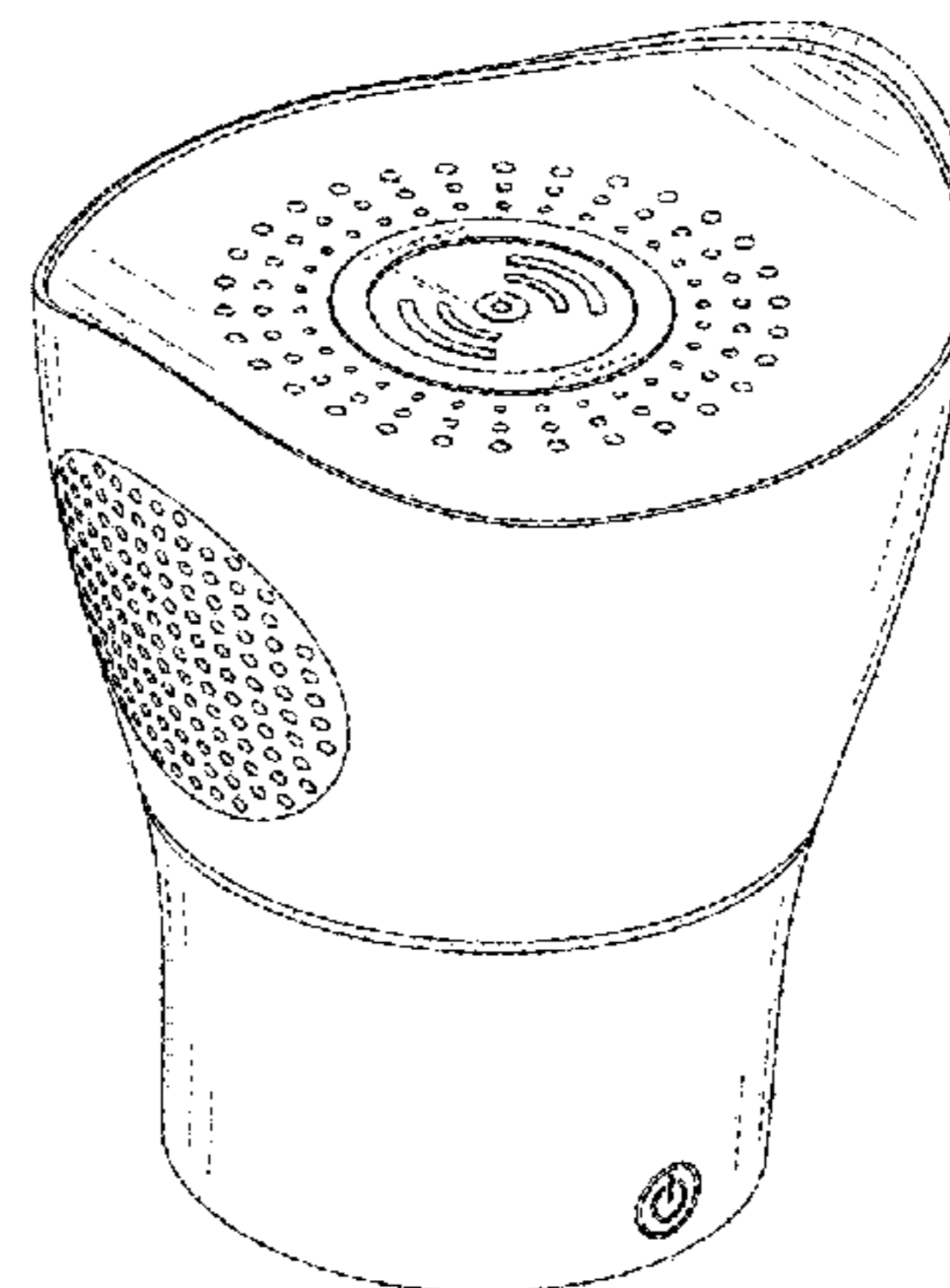
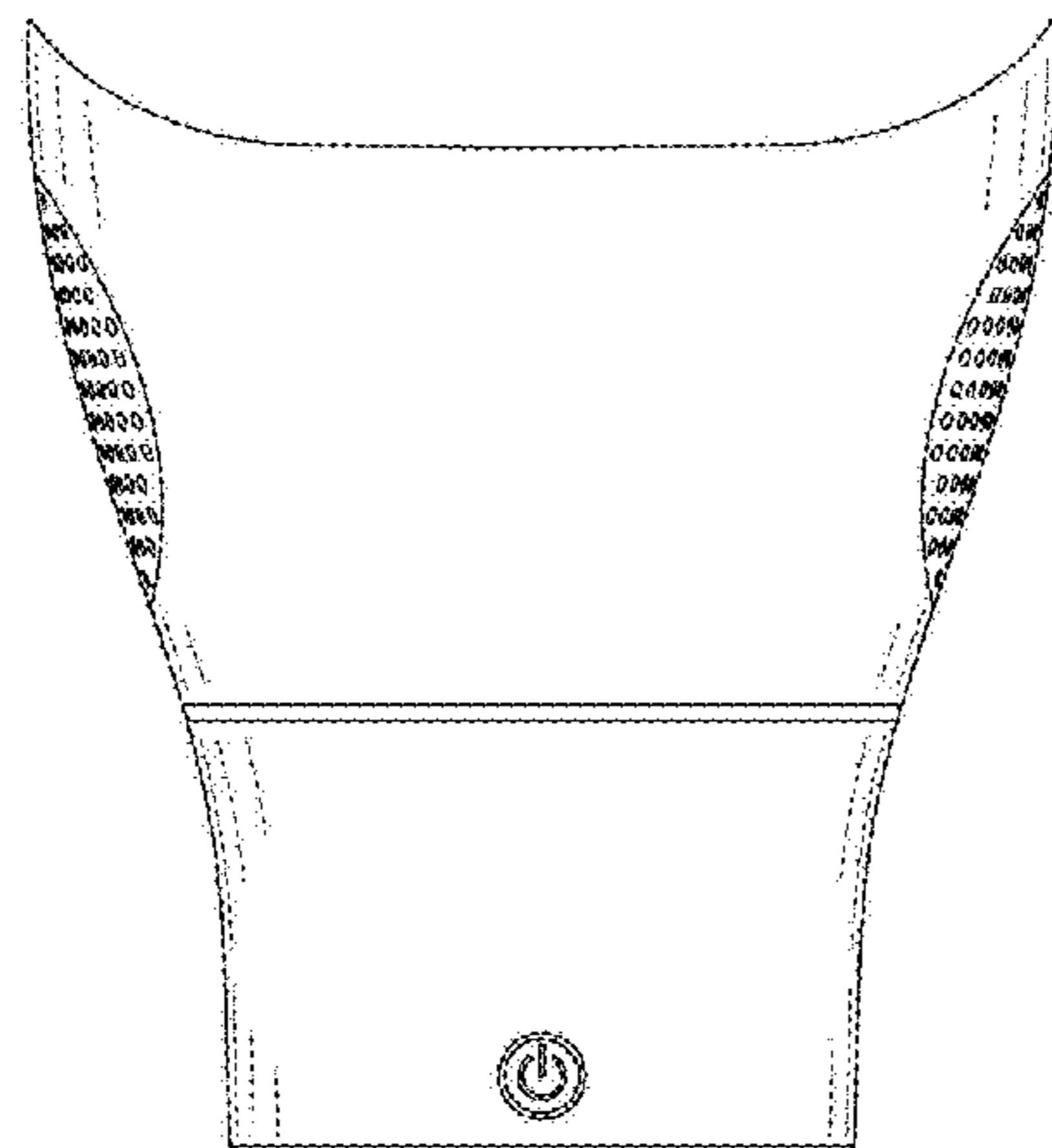
(57) **CLAIM**

The ornamental design for a mobile device charging cradle with speakers, as shown and described.

DESCRIPTION

FIG. 1 is a front view of the mobile device charging cradle with speakers showing my new design;
FIG. 2 is a back view thereof;
FIG. 3 is a left side view thereof;
FIG. 4 is a right side view thereof;
FIG. 5 is a top view thereof;
FIG. 6 is a bottom view thereof;
FIG. 7 is a perspective view thereof; and,
FIG. 8 is another perspective view thereof, shown in use with unclaimed environment.
The broken lines in FIG. 8 depict environmental subject matter only and form no part of the claimed design.

1 Claim, 7 Drawing Sheets



(56)

References Cited

U.S. PATENT DOCUMENTS

D572,189 S * 7/2008 Sarnowsky D13/108
 D577,356 S * 9/2008 Moon D14/168
 D585,898 S * 2/2009 Skurdal D14/434
 D607,435 S * 1/2010 Jiang D14/204
 D620,921 S * 8/2010 Skurdal D14/209.1
 D645,843 S * 9/2011 Bolton D14/209.1
 D656,482 S * 3/2012 Colquhoun D14/209.1
 D656,483 S * 3/2012 Colquhoun D14/209.1
 D658,580 S * 5/2012 Gebski D13/108
 D681,005 S * 4/2013 Bolton D14/209.1
 D687,011 S * 7/2013 Bolton D14/209.1
 D688,228 S * 8/2013 Ryu D14/209.1
 D692,413 S * 10/2013 Holzer D14/215
 D696,190 S * 12/2013 Brandtman D13/108
 D697,027 S * 1/2014 Ho D13/108
 D697,476 S * 1/2014 Jeong D13/108
 D713,380 S * 9/2014 Kim D14/209.1
 D717,244 S * 11/2014 Reishus D13/108
 D722,959 S * 2/2015 Bulgarov D13/108
 D723,514 S * 3/2015 Lukic D14/213
 D727,395 S * 4/2015 Choi D16/242
 D728,507 S * 5/2015 Brandis D14/149
 D734,751 S * 7/2015 Oberpriller D14/420
 D737,762 S * 9/2015 Aumiller D13/108
 D738,303 S * 9/2015 Symons D13/108
 D740,778 S * 10/2015 Ookawa D14/149
 D743,885 S * 11/2015 Nazar D13/108
 D747,267 S * 1/2016 Aumiller D13/108
 D748,575 S * 2/2016 Bulgarov D13/108
 D749,504 S * 2/2016 Jeong D13/108
 D750,020 S * 2/2016 Song D13/108
 D761,343 S * 7/2016 Schmidt D16/202
 D762,571 S * 8/2016 Lee D13/108
 D768,604 S * 10/2016 Flowers D13/108
 D772,813 S * 11/2016 Wahl D13/108

D774,455 S * 12/2016 Kim D13/108
 D777,103 S * 1/2017 Park D13/108
 D782,973 S * 4/2017 Zhou D13/108
 D784,259 S * 4/2017 Huang D13/108
 D784,438 S * 4/2017 Rondinelli D16/242
 D785,595 S * 5/2017 Morin D14/188
 D786,791 S * 5/2017 Jeong D13/108
 D791,775 S * 7/2017 Park D14/447
 D792,374 S * 7/2017 Kim D14/204
 D794,557 S * 8/2017 Kim D13/108
 D794,558 S * 8/2017 Zhou D13/108
 D796,433 S * 9/2017 Langhammer D13/108
 D797,042 S * 9/2017 Miller D13/107
 D798,807 S * 10/2017 Shi D13/108
 D800,060 S * 10/2017 Solland D13/108
 D802,529 S * 11/2017 Andersson D13/108
 D803,153 S * 11/2017 Park D13/108
 D803,181 S * 11/2017 Feng D14/172
 D807,289 S * 1/2018 Wang D13/107
 D807,820 S * 1/2018 Nazar D13/108
 D810,015 S * 2/2018 Carreon D13/108
 D810,680 S * 2/2018 Carreon D13/108
 D817,268 S * 5/2018 Symons D13/108
 D819,643 S * 6/2018 Hu D14/434
 D821,307 S * 6/2018 Calachan D13/107
 D828,323 S * 9/2018 Demin D14/172
 D832,264 S * 10/2018 Kim D14/434
 D832,306 S * 10/2018 Liao D14/496
 D836,086 S * 12/2018 Yu D14/209.1
 D839,188 S * 1/2019 Akana D13/108
 D839,191 S * 1/2019 Akana D13/108
 D840,436 S * 2/2019 Demin D14/496
 D841,496 S * 2/2019 Peterson D10/74
 D843,418 S * 3/2019 Demin D14/496
 D843,419 S * 3/2019 Vaclavik D14/496
 2005/0255895 A1 * 11/2005 Lee G06F 1/1632
 455/573

* cited by examiner

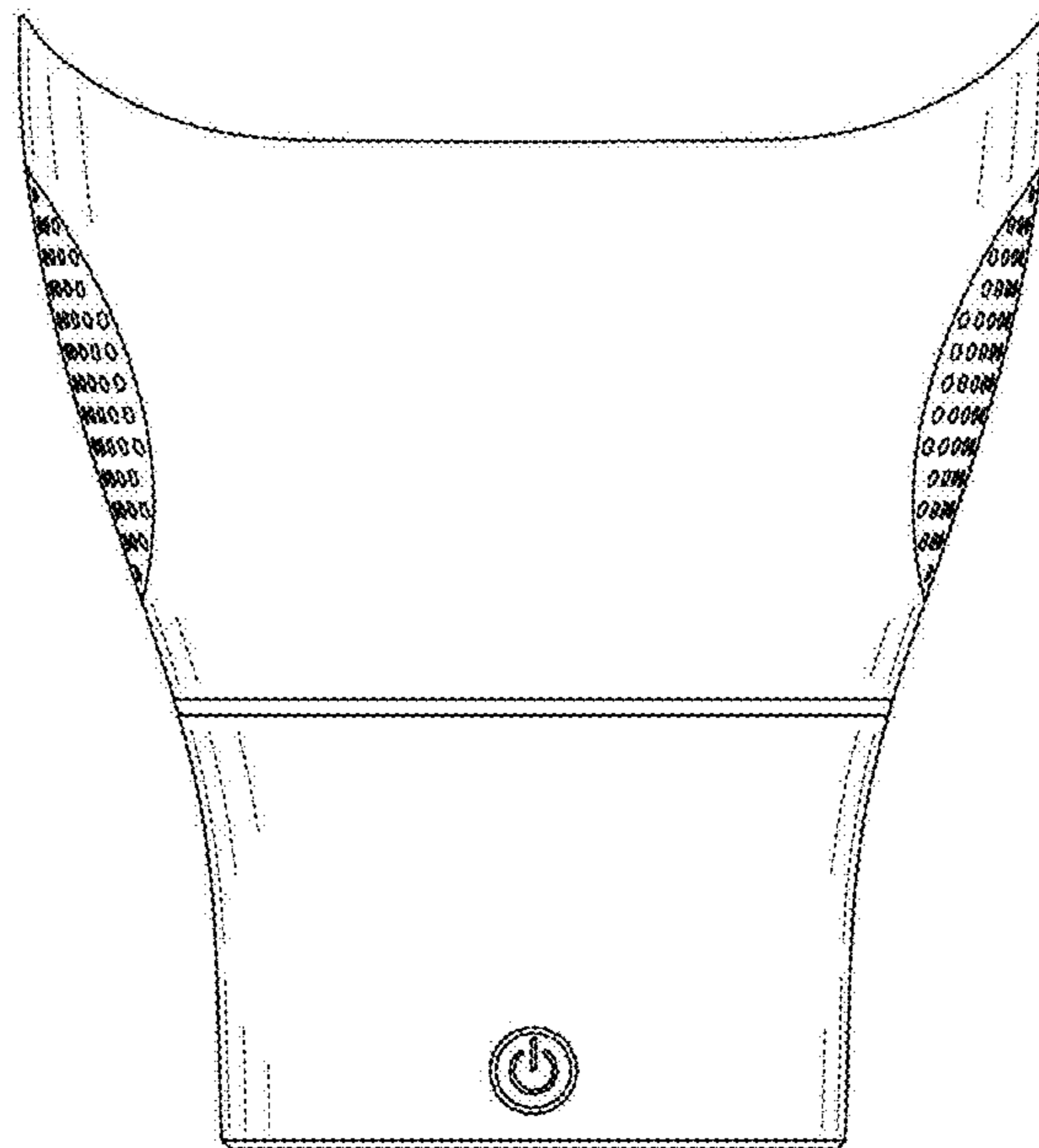


Fig.1

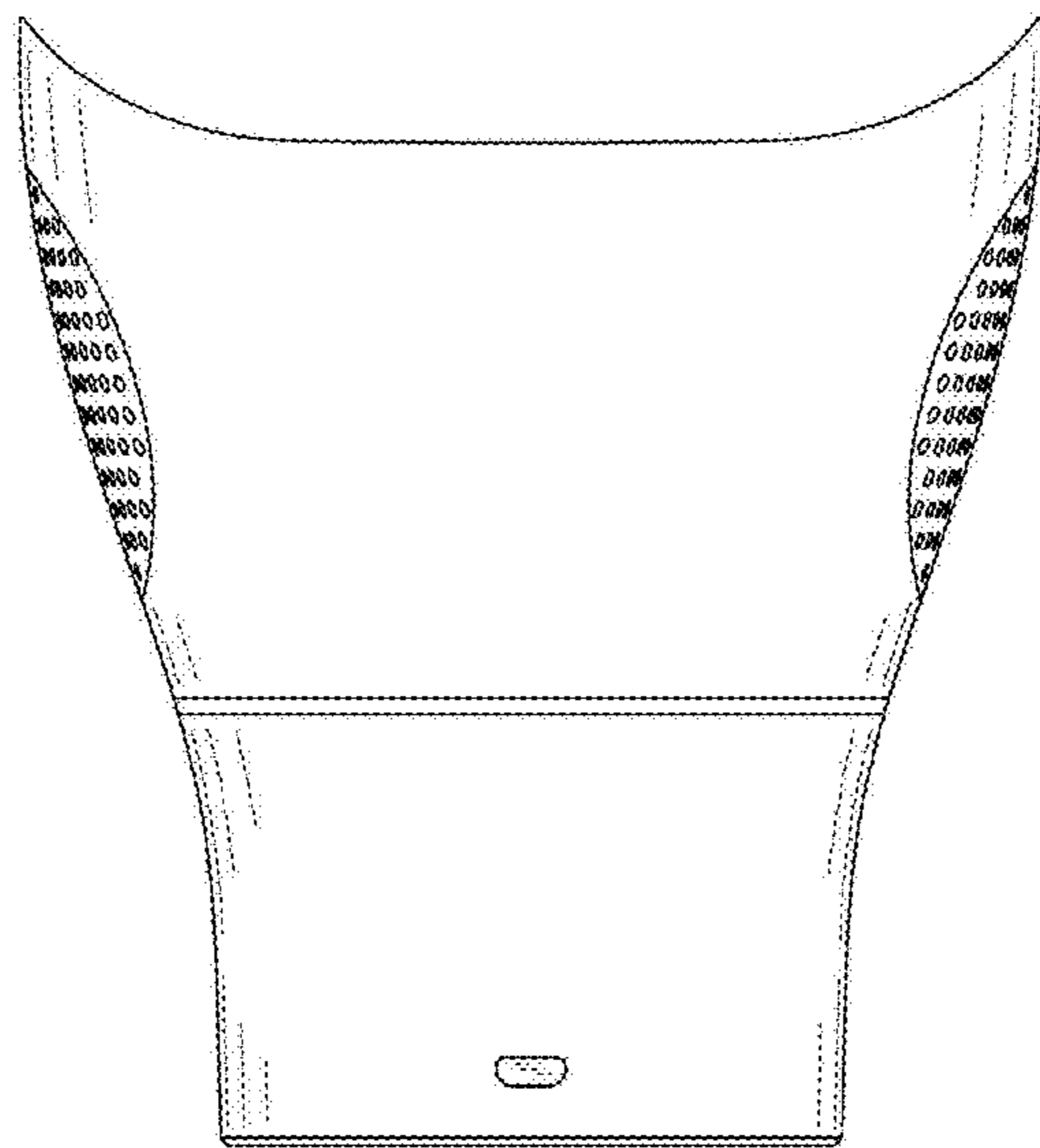


Fig.2

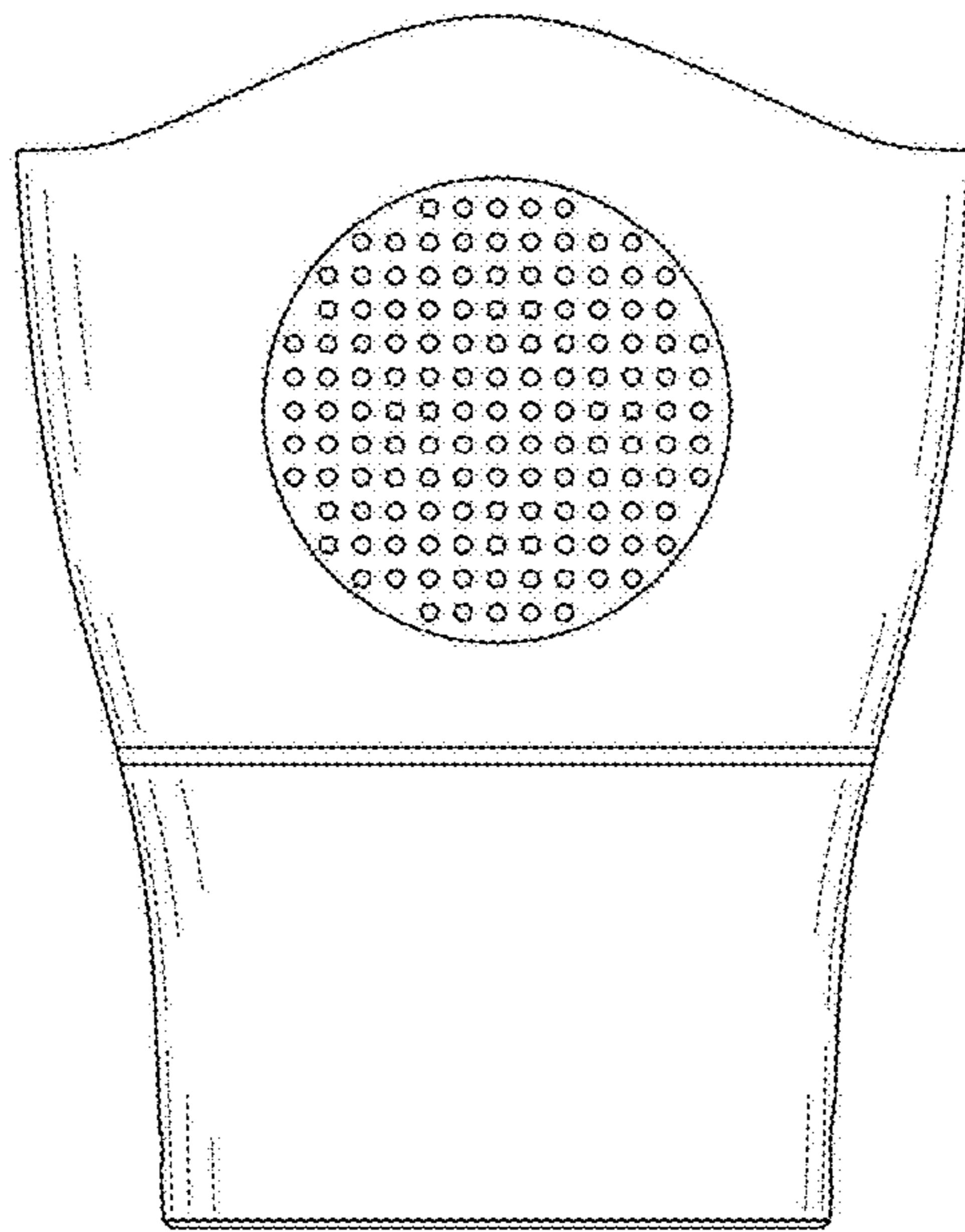


Fig.3

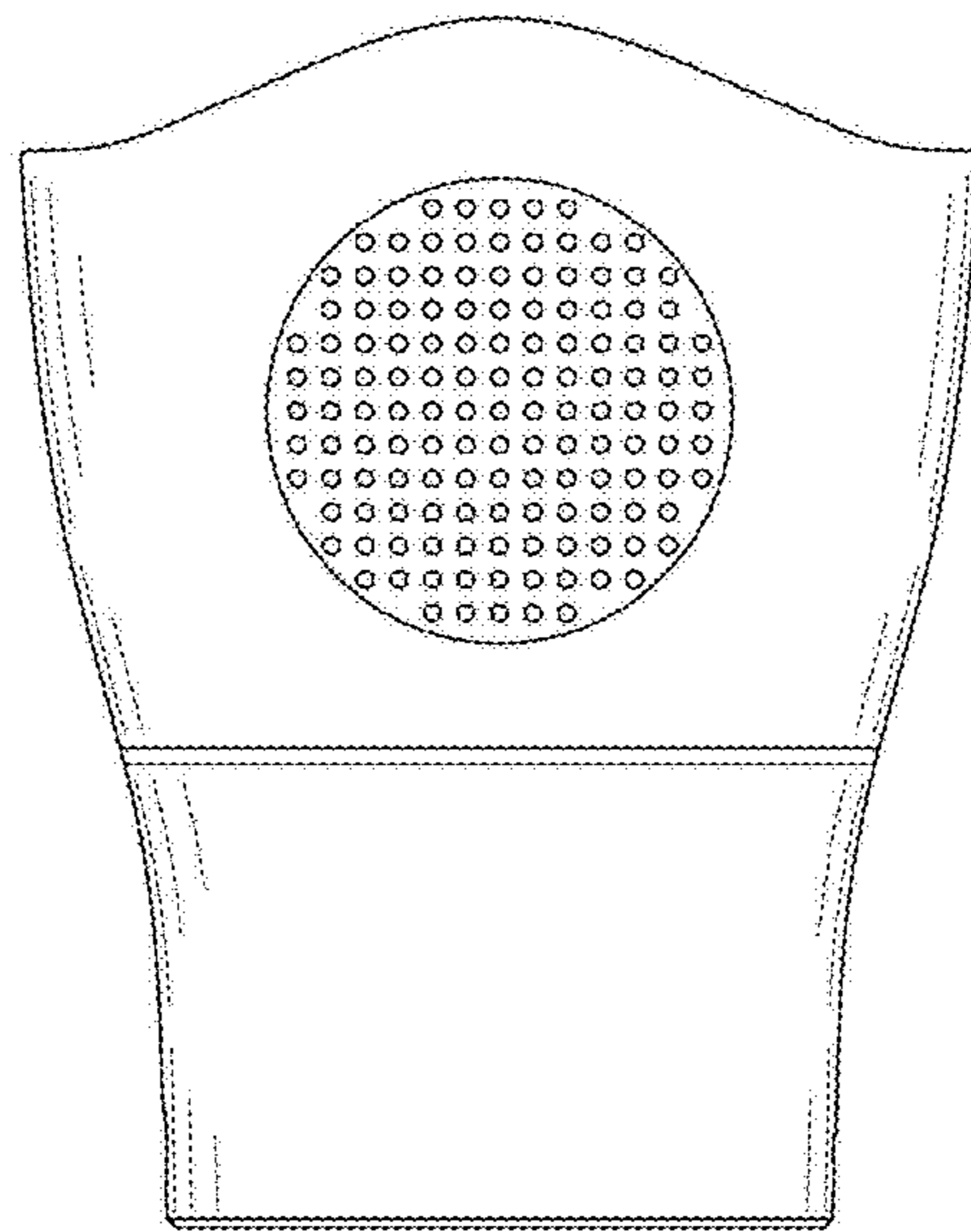


Fig.4

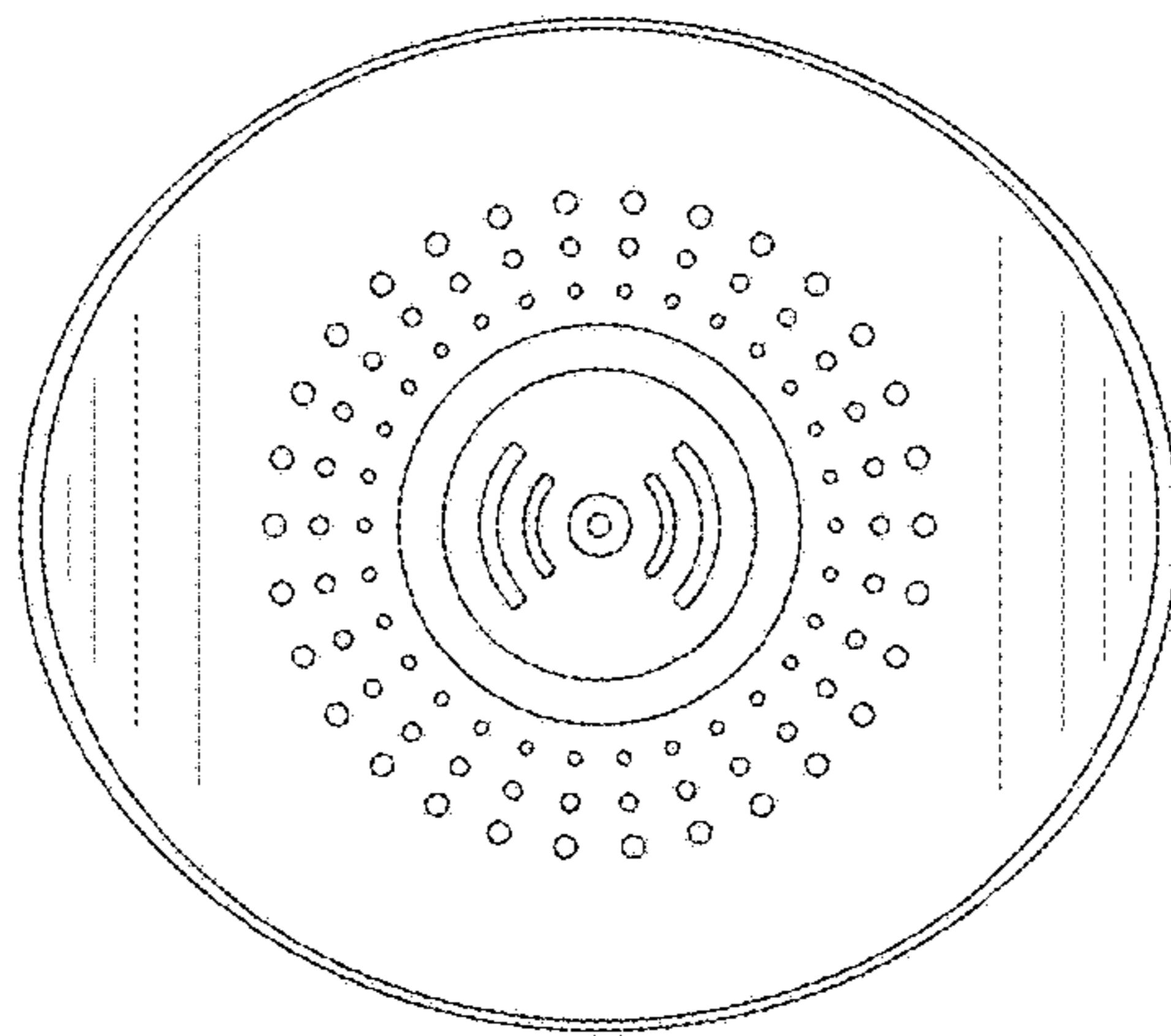


Fig.5

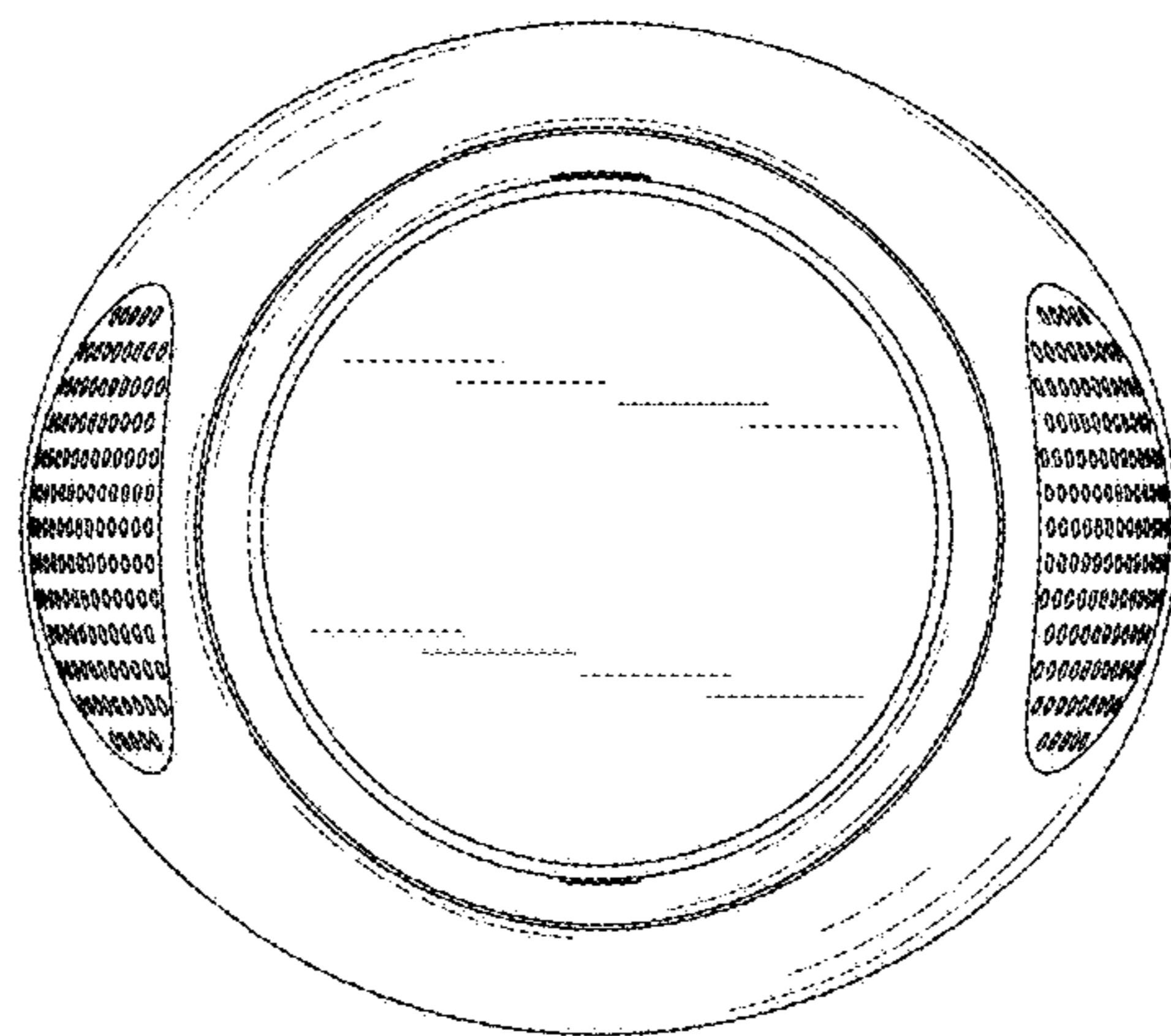


Fig.6

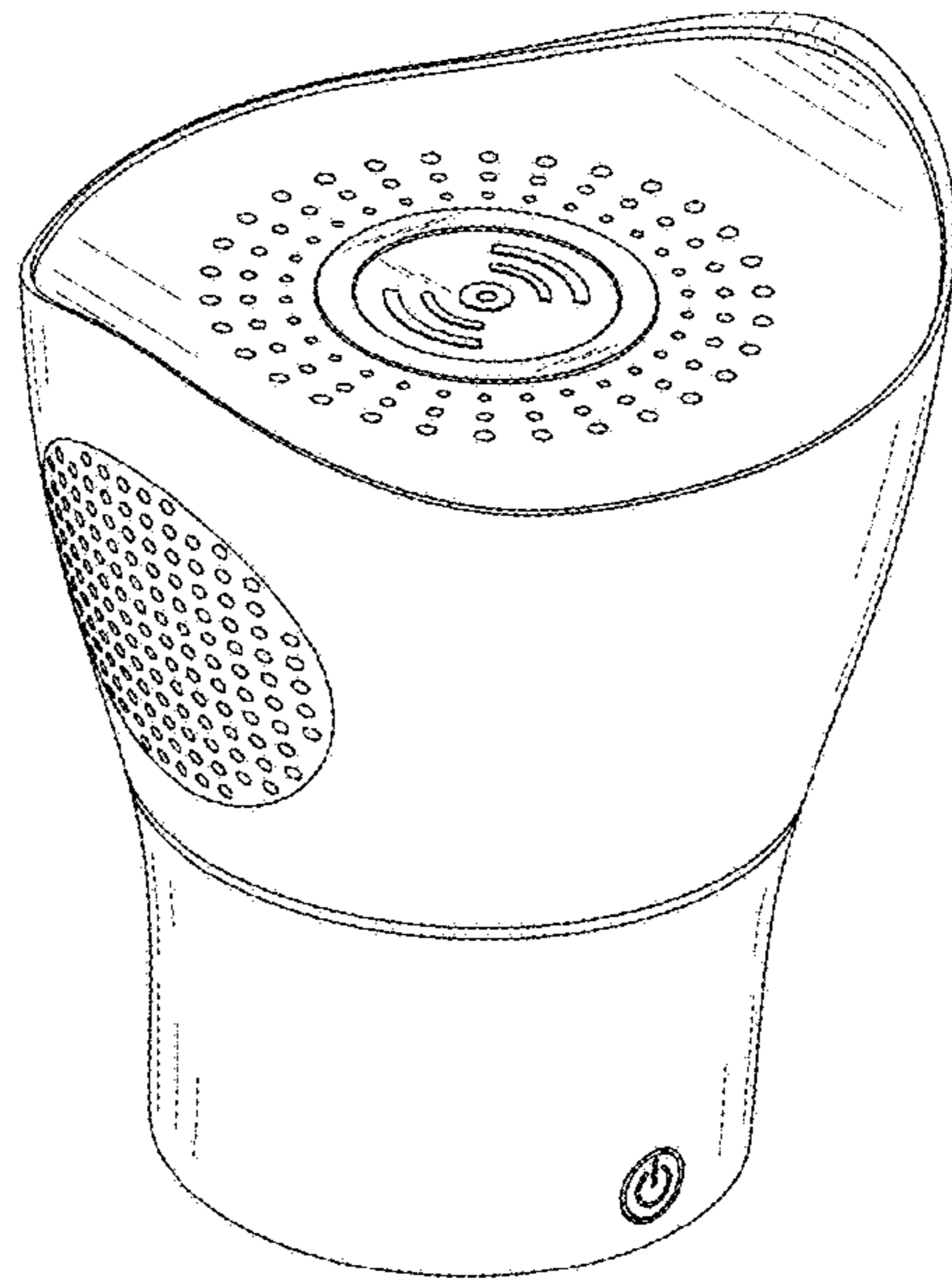


Fig.7

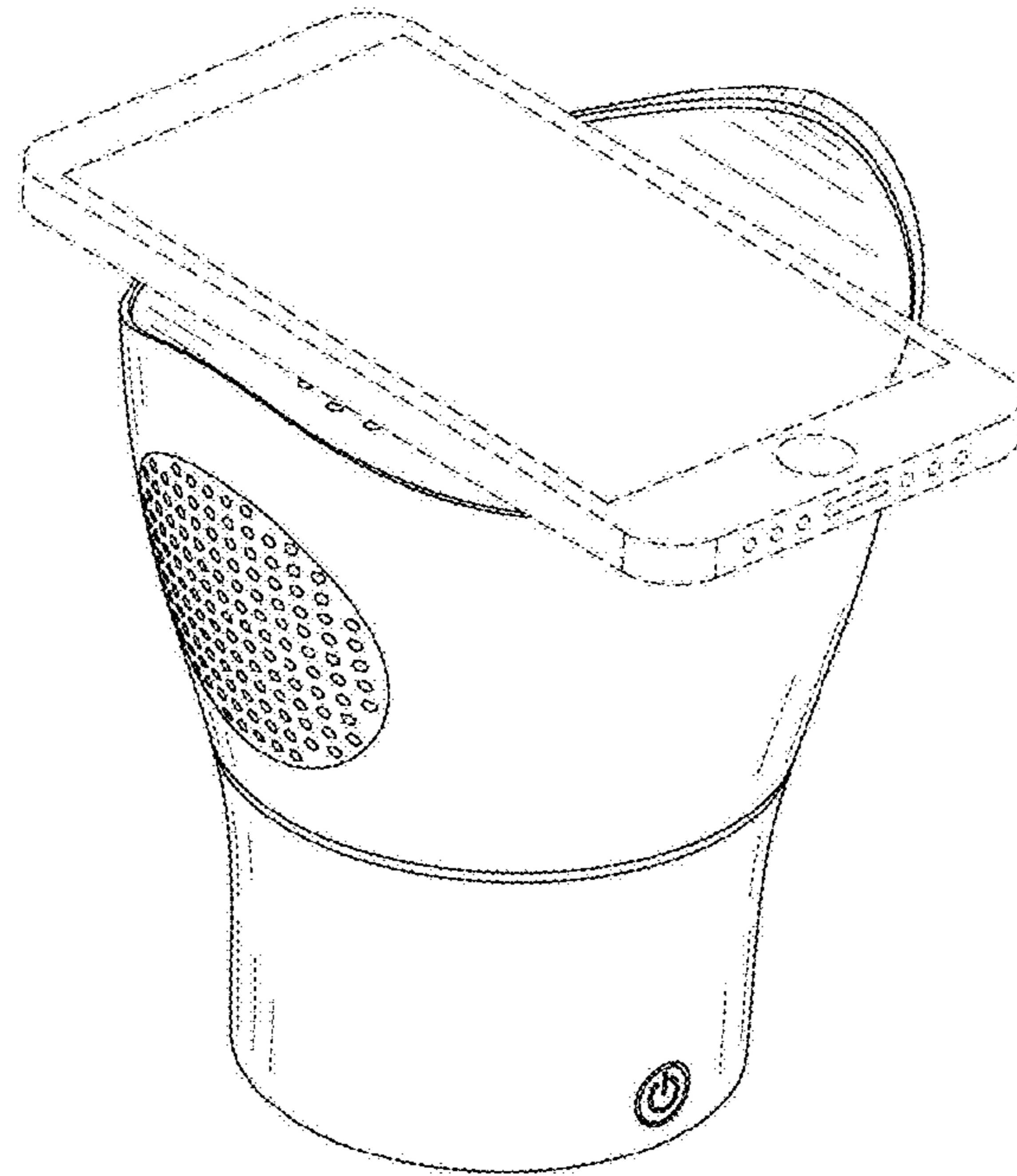


Fig.8