



US00D867331S

(12) **United States Design Patent** (10) **Patent No.:** **US D867,331 S**  
**Lindof** (45) **Date of Patent:** **\*\* \*Nov. 19, 2019**

(54) **HEADSET**

(71) Applicant: **RTX A/S**, Nørresundby (DK)

(72) Inventor: **Jens Christian Lindof**, Nørresundby (DK)

(73) Assignee: **RTX A/S**, Nørresundby (DK)

(\*) Notice: This patent is subject to a terminal disclaimer.

(\*\*) Term: **15 Years**

(21) Appl. No.: **29/627,274**

(22) Filed: **Nov. 24, 2017**

(30) **Foreign Application Priority Data**

May 24, 2017 (EM) ..... 004015972

(51) **LOC (12) Cl.** ..... **14-01**

(52) **U.S. Cl.**  
USPC ..... **D14/206**; D14/226

(58) **Field of Classification Search**  
USPC ..... D14/206, 205, 188, 192, 225, 226, 249, D14/251; 181/129, 130, 135; 379/430, 379/431; 381/380, 381, 374, 74; 455/90.3, 575.1, 569.1; D29/112; 2/209  
CPC .... H04R 1/1066; H04R 1/1016; H04R 25/00; H04R 25/02; H04R 1/1091; H04R 1/105  
See application file for complete search history.

(56) **References Cited**

**U.S. PATENT DOCUMENTS**

- 1,329,658 A \* 2/1920 Gernsback ..... H04R 1/1066  
381/379
- 1,988,880 A 1/1935 Strouse
- 2,025,398 A \* 12/1935 Pocock ..... H04M 1/05  
D14/205
- 2,086,980 A 7/1937 Kirby
- 2,954,442 A \* 9/1960 Mickenberg ..... H04R 5/0335  
2/209

- 3,061,690 A 10/1962 Swinehart
  - 3,311,713 A 3/1967 Knuebel
  - 3,815,155 A 6/1974 Davison et al.
  - 4,420,657 A \* 12/1983 Larkin ..... H04M 1/05  
181/129
  - 4,597,469 A 7/1986 Nagashima
  - D286,874 S 11/1986 Bertagna et al.
  - D300,133 S \* 3/1989 Daidoh ..... D14/205
  - 4,875,233 A \* 10/1989 Derhaag ..... H04M 1/05  
379/430
  - 4,926,961 A 5/1990 Gaffey et al.
  - D313,092 S 12/1990 Nilsson
- (Continued)

**FOREIGN PATENT DOCUMENTS**

- EP 004749026-0010 3/2018
- EP 005299229-0002 6/2018

**OTHER PUBLICATIONS**

“Lamicall Headphone Stand, online, no post date, <URL: https://www.soundandvision.com/shop/ ”.

(Continued)

*Primary Examiner* — Paula Allen Greene  
(74) *Attorney, Agent, or Firm* — Merchant & Gould P.C.

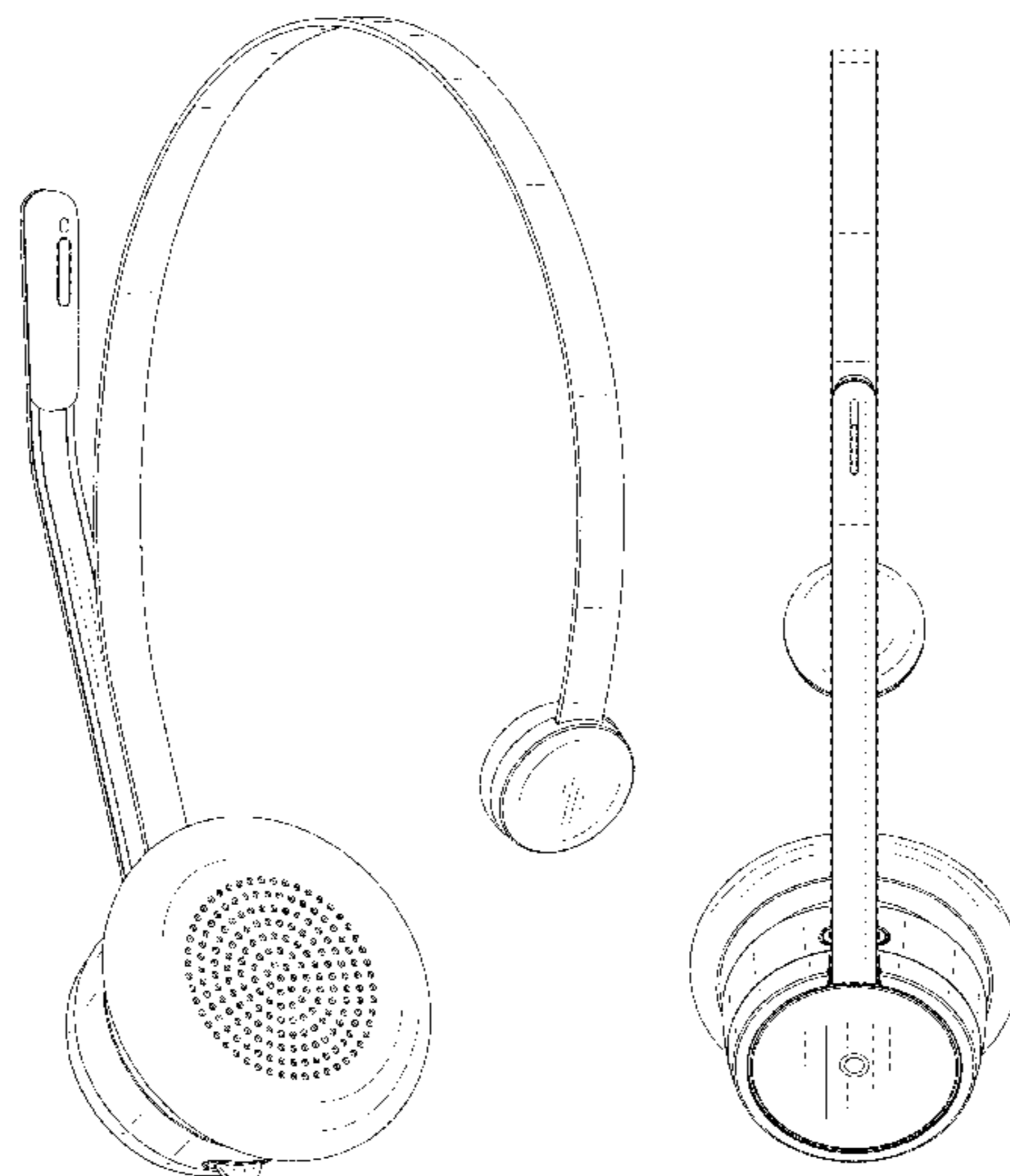
(57) **CLAIM**

The ornamental design for a headset, as shown and described.

**DESCRIPTION**

FIG. 1 is a perspective view of a headset showing my new design;  
FIG. 2 is a front elevational view thereof;  
FIG. 3 is a left side elevational view thereof;  
FIG. 4 is a right side elevational view thereof;  
FIG. 5 is a top plan view thereof;  
FIG. 6 is a bottom plan view thereof; and,  
FIG. 7 is a rear perspective view thereof.

**1 Claim, 7 Drawing Sheets**



(56)

References Cited

U.S. PATENT DOCUMENTS

5,033,094 A	7/1991	Houng		D588,100 S	3/2009	Densho et al.	
5,099,514 A	3/1992	Acree		D589,932 S	4/2009	Komiyama	
5,117,465 A *	5/1992	MacDonald	H04R 1/10	D590,372 S	4/2009	Melin	
				D591,263 S	4/2009	Shimizu	
				7,519,196 B2	4/2009	Bech	
D328,074 S *	7/1992	Yamazaki	D14/205	D592,640 S	5/2009	Tkachuk	
D337,116 S *	7/1993	Hattori	D14/206	D601,126 S	9/2009	Christopher et al.	
D337,587 S	7/1993	Nakayama		D601,543 S *	10/2009	Bentley	D14/206
D338,010 S *	8/1993	Yamatogi	D14/205	D602,908 S *	10/2009	Ham	D14/206
5,369,857 A *	12/1994	Sacherman	H04R 5/0335	D603,371 S	11/2009	Boateng et al.	
				D606,048 S	12/2009	Soetejo et al.	
				D608,351 S	1/2010	Song	
				D609,694 S	2/2010	Komiyama	
				D617,780 S	6/2010	Jaakkola et al.	
D357,481 S *	4/1995	Giuntoli	D14/227	D617,781 S *	6/2010	Kallas	D14/226
D377,020 S	12/1996	Bungardt et al.		D620,474 S	7/2010	Komiyama	
5,706,359 A	1/1998	Chang		D628,189 S	11/2010	Rath	
D394,437 S	5/1998	Landreth et al.		D632,668 S	2/2011	Brunner et al.	
5,822,798 A	10/1998	Baxley		D635,958 S	4/2011	Ando et al.	
5,887,286 A	3/1999	Waldron		D634,298 S	5/2011	Shimizu et al.	
6,038,329 A	3/2000	Lee		D638,000 S *	5/2011	Hoggarth	D14/206
D430,140 S *	8/2000	Roman	D14/205	7,962,970 B2	6/2011	Le Gette et al.	
D432,526 S *	10/2000	Claesson	D14/228	D643,405 S	8/2011	Rath	
6,154,539 A	11/2000	Pitel		D645,847 S	9/2011	Chau	
6,246,766 B1	6/2001	Walsh		D648,330 S	11/2011	Fischer	
D447,472 S *	9/2001	McGugan	D14/225	8,061,473 B1	11/2011	Kerr	
D464,943 S	10/2002	Lai		D654,472 S	2/2012	Fischer	
D471,906 S	3/2003	Salazar et al.		D657,740 S	4/2012	Prat-Pfister	
D480,072 S *	9/2003	Ham	D14/223	D663,717 S	7/2012	Hutchieson	
6,622,029 B1 *	9/2003	Skulley	H04M 1/05	D664,116 S	7/2012	Hutchieson	
				D664,943 S	8/2012	Choi	
				D666,168 S	8/2012	Rath	
6,625,293 B1	9/2003	Nageno et al.		D669,888 S	10/2012	Gougherty et al.	
D481,364 S	10/2003	Kosumsuppamala et al.		D673,523 S	1/2013	Brennwald	
D482,019 S	11/2003	Petersen et al.		D673,929 S	1/2013	Combs et al.	
D488,146 S *	4/2004	Minto	D14/206	D676,378 S	2/2013	Kim et al.	
D490,399 S *	5/2004	Kamo	D14/206	D683,329 S	5/2013	Hagelin	
6,768,804 B1	7/2004	Isvan		D684,559 S	6/2013	Groset et al.	
D494,154 S	8/2004	Polito		D684,963 S	6/2013	Goodrich	
D494,957 S	8/2004	Rath et al.		D686,593 S	7/2013	Larsen	
D498,470 S *	11/2004	Skulley	D14/206	D687,808 S	8/2013	Combs et al.	
D499,086 S	11/2004	Polito		D707,655 S *	6/2014	Porter	H04M 1/00
D504,419 S	4/2005	Bey et al.					D14/206
D505,411 S	5/2005	Sakai		8,838,029 B2	9/2014	Goldman et al.	
D505,413 S	5/2005	Skulley et al.		D719,135 S	12/2014	Kelley	
D505,414 S	5/2005	Ko et al.		D732,002 S	6/2015	Goransson	
D511,492 S	11/2005	Allende Fritsch		D733,113 S	6/2015	Krantz	
D514,086 S *	1/2006	Skulley	D14/206	D747,293 S	1/2016	Mistry	
D517,527 S	3/2006	Suzuki		9,271,065 B2	2/2016	Lamb et al.	
D517,528 S	3/2006	Skulley		D765,623 S	9/2016	Yang et al.	
D518,474 S	4/2006	Suzuki		D771,012 S	11/2016	Wagner	
D519,990 S	5/2006	Lazor		D772,201 S	11/2016	Lepchenske	
7,062,059 B1	6/2006	Bobisuthi		D777,166 S	1/2017	Bidwell et al.	
7,106,877 B1	9/2006	Linville		9,609,413 B2 *	3/2017	Hsiao	H04R 1/1016
D529,900 S	10/2006	Skulley et al.		D796,484 S	9/2017	Chen	
D530,307 S	10/2006	Rath		D799,450 S	10/2017	Lee et al.	
D530,702 S *	10/2006	Pritchard	D14/206	D806,676 S *	1/2018	Fuglsang	D14/206
D531,165 S *	10/2006	Rath	D14/206	D811,371 S	2/2018	Meyer et al.	
D537,813 S	3/2007	Hoehn et al.		D813,805 S	3/2018	Zhong	
D537,815 S	3/2007	Bentley et al.		D814,413 S	4/2018	Zhong	
D538,785 S *	3/2007	Skulley	D14/206	D822,638 S	7/2018	Liu	
D539,267 S	3/2007	Komiyama		D824,913 S	8/2018	Bidwell et al.	
D539,788 S	4/2007	Thompson et al.		D826,851 S	8/2018	Wang	
D539,789 S	4/2007	Rausch et al.		D827,568 S	9/2018	Turksu et al.	
D540,303 S	4/2007	Rausch et al.		D827,617 S	9/2018	Dillon	
D540,313 S *	4/2007	Rausch	D14/225	D830,339 S *	10/2018	Yan	D14/206
D540,778 S *	4/2007	Thompson	D14/206	D847,782 S	5/2019	Wernblad	
D541,256 S	4/2007	Rausch et al.		D847,783 S	5/2019	Wernblad et al.	
7,209,177 B2	4/2007	Lapalme et al.		D847,784 S	5/2019	Wernblad et al.	
D554,116 S	10/2007	Liu et al.		D855,038 S	7/2019	Hu	
D563,382 S	3/2008	Wikel		2003/0072466 A1 *	4/2003	Eisenbraun	H04R 1/083
D566,051 S	4/2008	Govindasamy					381/381
D568,808 S	5/2008	Hamasaki		2005/0286717 A1 *	12/2005	Viduya	H04M 1/05
D571,354 S	6/2008	Ng					379/430
7,391,863 B2	6/2008	Viduya et al.		2007/0004236 A1 *	1/2007	Suenaga	H01R 35/04
D572,188 S	7/2008	Prat-Pfister					439/15
D574,368 S	8/2008	Chapman		2009/0074196 A1 *	3/2009	Tiodor	H04R 1/083
D578,508 S	10/2008	Wang					381/58
D587,683 S	3/2009	Ham et al.		2011/0135134 A1	6/2011	Essabar et al.	
D587,684 S *	3/2009	Ham	D14/205				

(56)

**References Cited**

U.S. PATENT DOCUMENTS

2011/0206393 A1 8/2011 Nakazato et al.  
2011/0228925 A1 9/2011 Birch  
2012/0163616 A1 6/2012 Birch  
2012/0328119 A1 12/2012 Heise  
2015/0086058 A1 3/2015 Harms et al.  
2016/0119702 A1\* 4/2016 Matsui ..... H04R 1/083  
381/367  
2016/0198254 A1\* 7/2016 Gecawicz ..... H04R 1/083  
381/375

OTHER PUBLICATIONS

“Satechi Aluminum Headphone Stand and USB Hub Review, YouTube online, post date Feb. 6, 2016, <URL: <https://www.youtube.com/watch?v=bVosH0ADleg>>, retrieved Apr. 11, 2019. ”.

\* cited by examiner

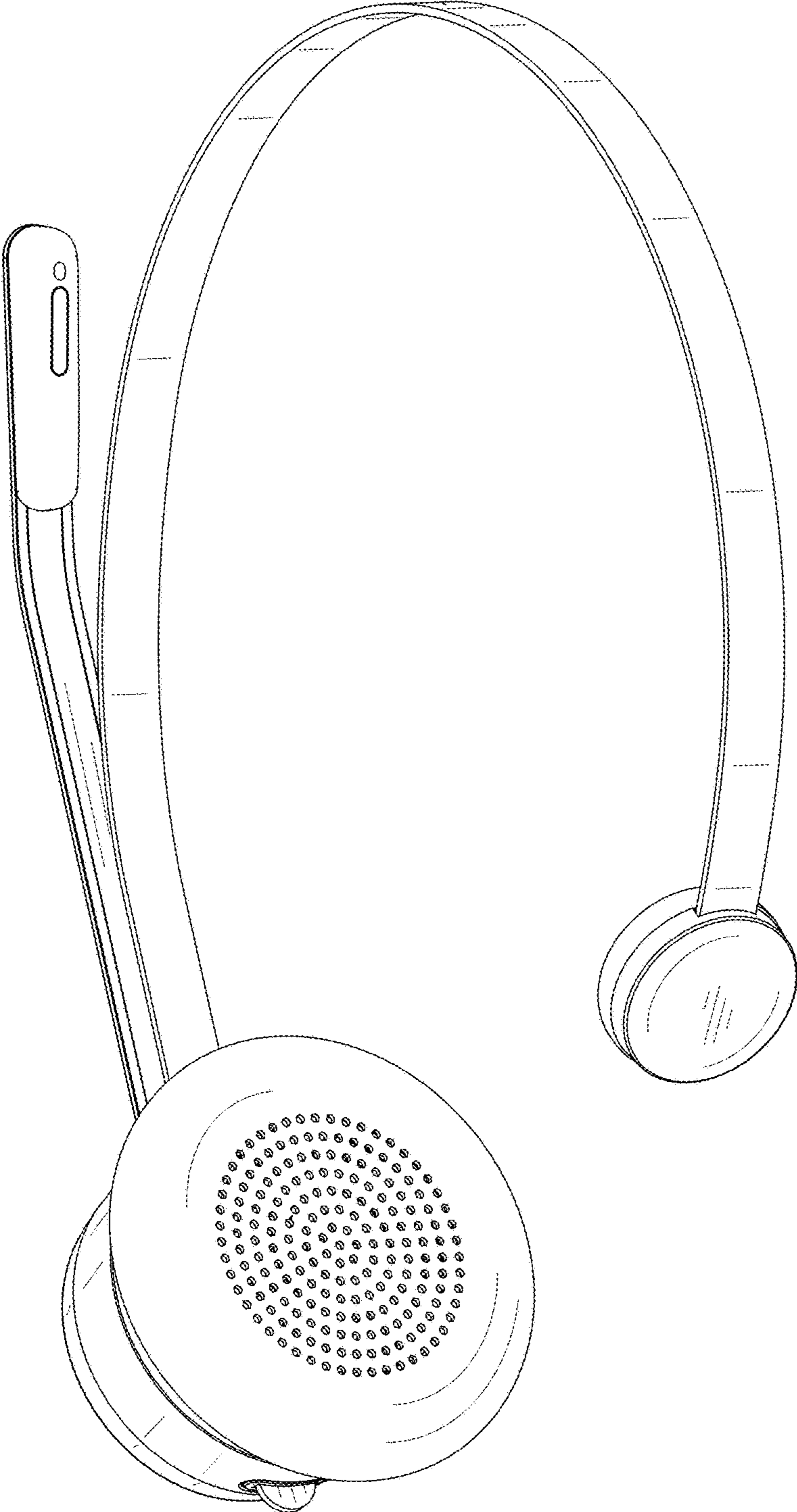


FIG. 1

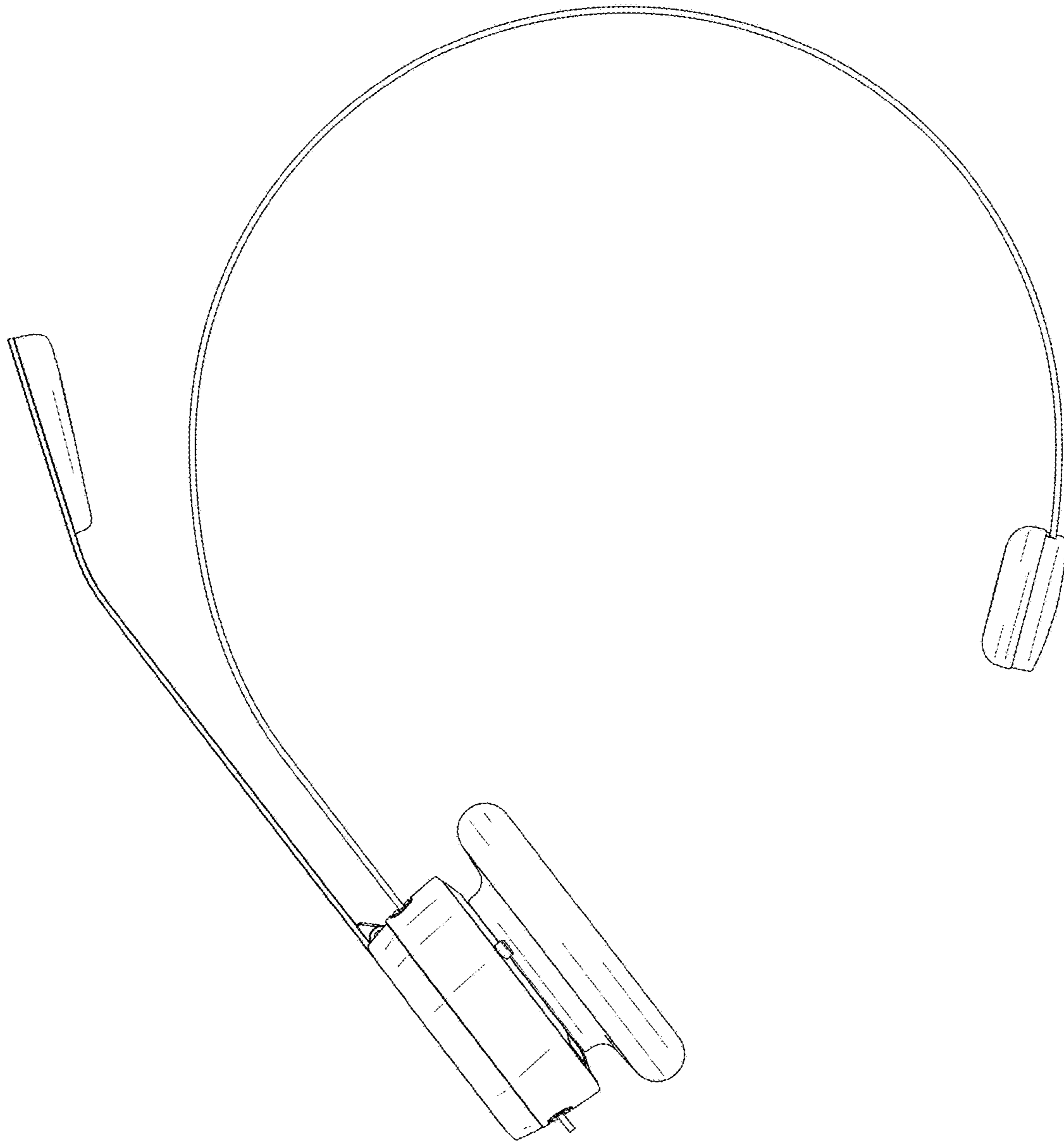


FIG. 2

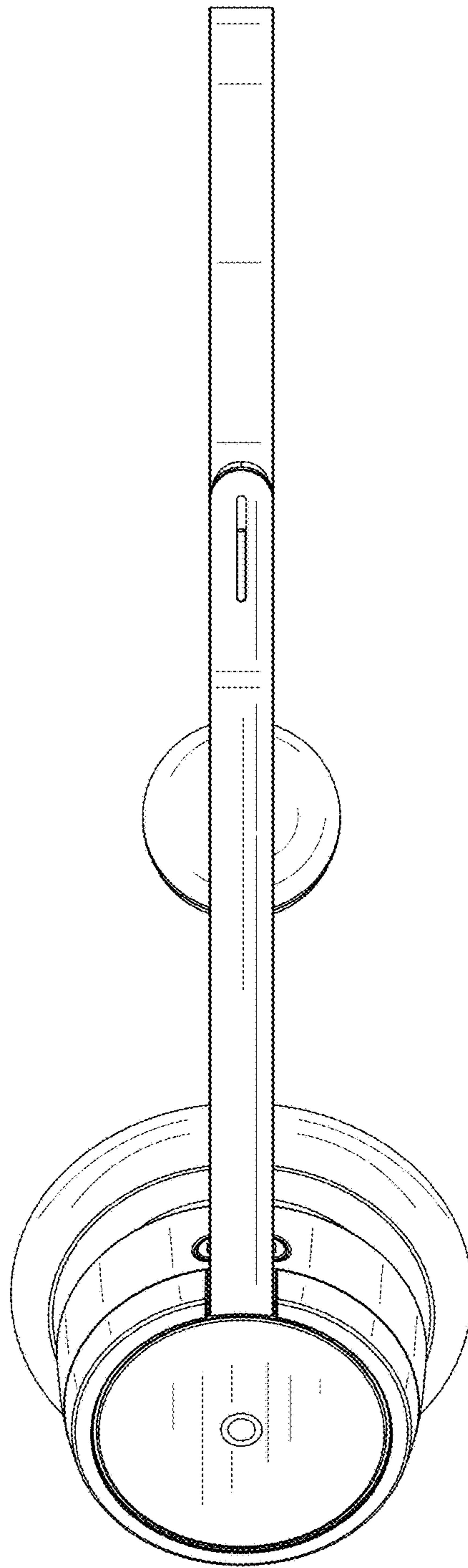


FIG. 3

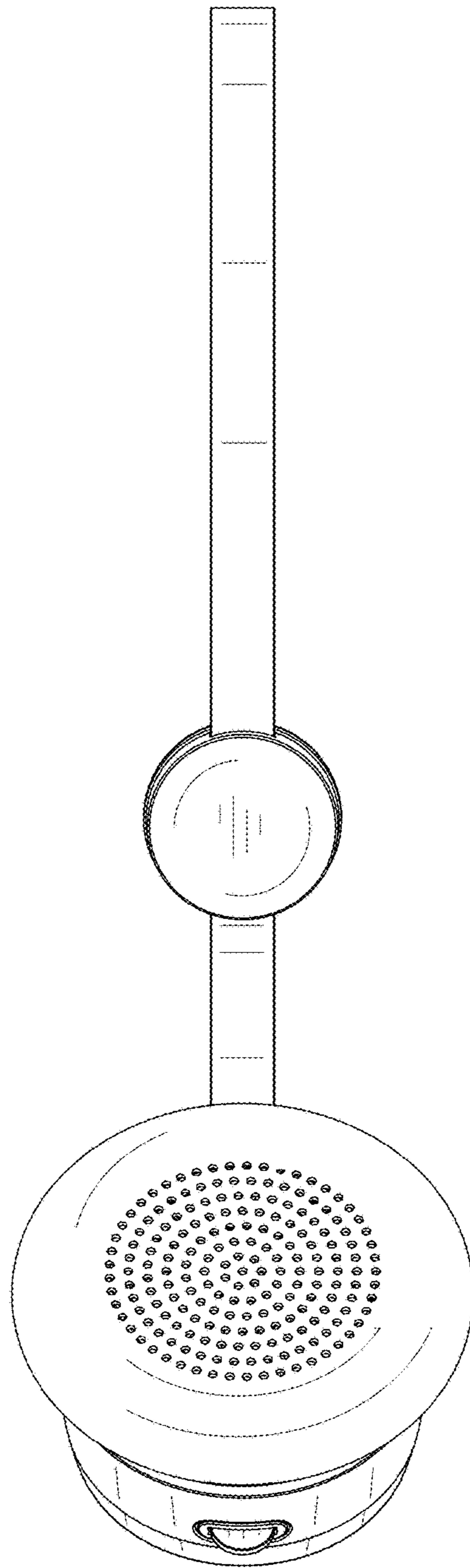


FIG. 4

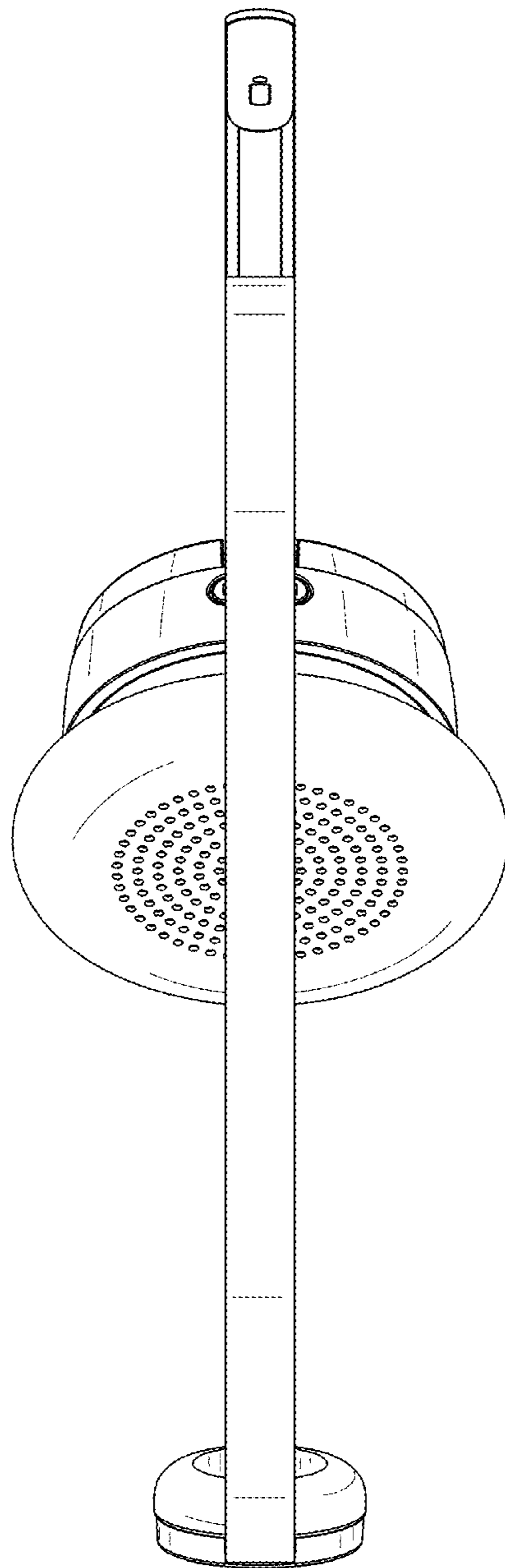


FIG. 5



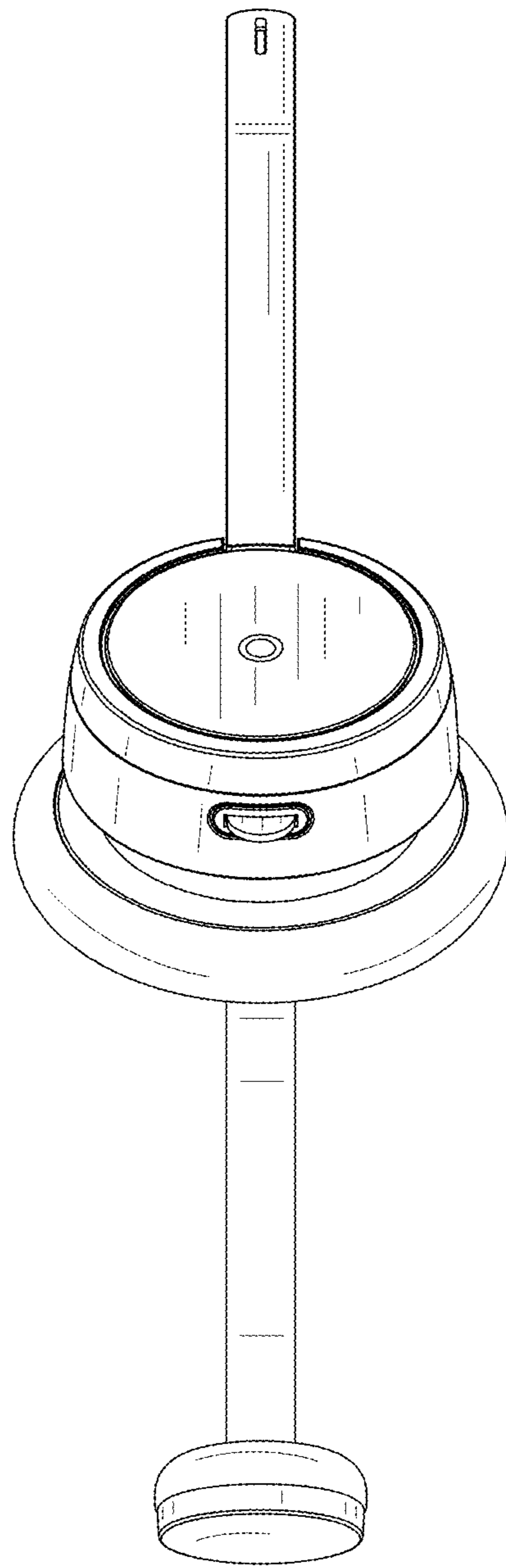


FIG. 6

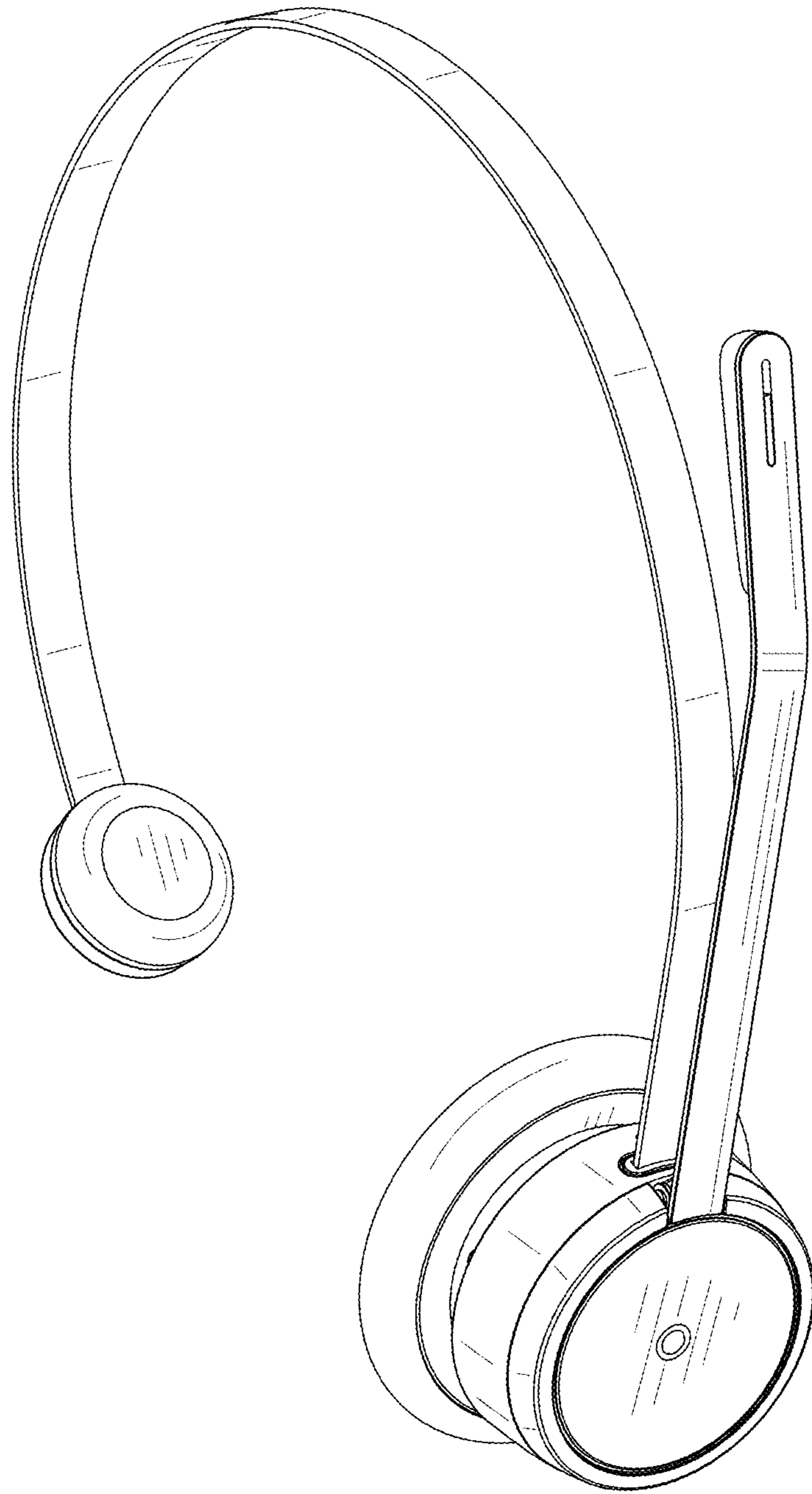


FIG. 7