

US00D867330S

(12) **United States Design Patent**
Lindof

(10) **Patent No.:** **US D867,330 S**

(45) **Date of Patent:** **** *Nov. 19, 2019**

(54) **HEADSET**

(71) Applicant: **RTX A/S**, Nørresundby (DK)

(72) Inventor: **Jens Christian Lindof**, Nørresundby (DK)

(73) Assignee: **RTX A/S**, Nørresundby (DK)

(*) Notice: This patent is subject to a terminal disclaimer.

(**) Term: **15 Years**

(21) Appl. No.: **29/627,268**

(22) Filed: **Nov. 24, 2017**

(30) **Foreign Application Priority Data**

May 24, 2017 (EM) 004015972

(51) **LOC (12) Cl.** **14-01**

(52) **U.S. Cl.**
USPC **D14/206**; D14/226

(58) **Field of Classification Search**
USPC D14/206, 205, 188, 192, 225, 226;
D29/112, 122; 181/129, 130, 135;
379/430, 431; 381/380, 381, 374, 74;
455/90.3, 575.1, 569.1
CPC H04R 1/1066; H04R 1/1016; H04R 5/033;
H04R 5/0335; H04R 25/00; H04R 25/02;
H04R 1/10
See application file for complete search history.

(56) **References Cited**

U.S. PATENT DOCUMENTS

1,329,658 A 2/1920 Gernsback
1,988,880 A 1/1935 Strouse
2,025,398 A * 12/1935 Pocock H04M 1/05
D14/205
2,086,980 A 7/1937 Kirby
2,954,442 A 9/1960 Mickenberg

3,061,690 A 10/1962 Swinehart
3,211,160 A 10/1965 Miller
3,311,713 A 3/1967 Knuebel
3,815,155 A * 6/1974 Davison A42B 3/166
2/209
D270,634 S * 9/1983 Ungar D14/205
4,420,657 A 12/1983 Larkin
4,597,469 A * 7/1986 Nagashima H04R 5/0335
181/129
D286,874 S 11/1986 Bertagna et al.
4,689,822 A * 8/1987 Houng H04R 1/1066
381/371
D300,133 S * 3/1989 Daidoh D14/205
(Continued)

FOREIGN PATENT DOCUMENTS

EM 004749026-0010 3/2018
EM 005299229-0002 6/2018

OTHER PUBLICATIONS

Lamicall Headphone Stand, online, no post date, <URL: https://www.soundandvision.com/shop/.

(Continued)

Primary Examiner — Paula Allen Greene
(74) *Attorney, Agent, or Firm* — Merchant & Gould P.C.

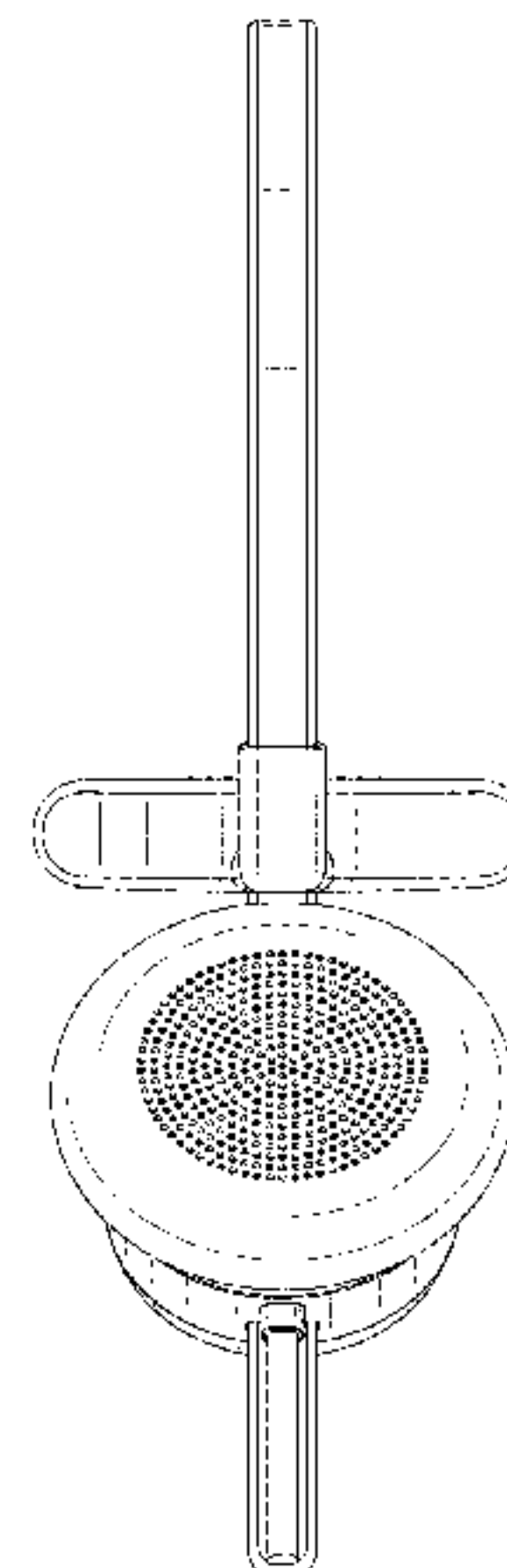
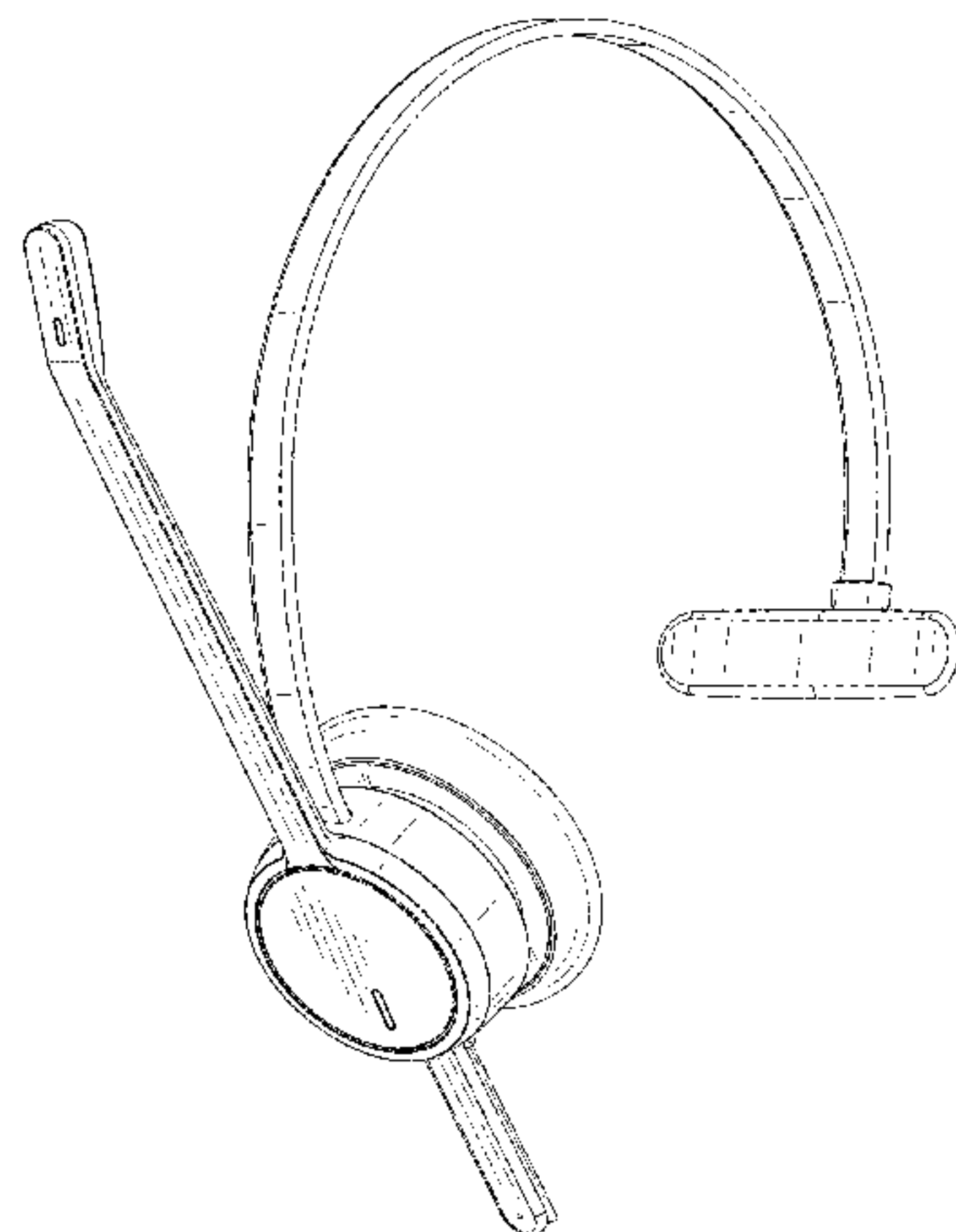
(57) **CLAIM**

The ornamental design for a headset, as shown and described.

DESCRIPTION

FIG. 1 is a perspective view of a headset showing my new design;
FIG. 2 is a front elevational view thereof;
FIG. 3 is a right side elevational view thereof;
FIG. 4 is a left side elevational view thereof;
FIG. 5 is a top plan view thereof;
FIG. 6 is a bottom plan view thereof; and,
FIG. 7 is a rear perspective view thereof.

1 Claim, 7 Drawing Sheets



(56)

References Cited

U.S. PATENT DOCUMENTS

- 4,875,233 A 10/1989 Derhaag et al.
4,926,961 A * 5/1990 Gattey G10K 11/22
181/18
D313,092 S 12/1990 Nilsson
5,033,094 A * 7/1991 Hung H04M 1/05
381/379
5,099,514 A 3/1992 Acree
5,117,465 A 5/1992 MacDonald
D328,074 S * 7/1992 Yamazaki D14/205
D337,116 S * 7/1993 Hattori D14/206
D338,010 S * 8/1993 Yamatogi D14/205
5,369,857 A * 12/1994 Sacherman H04R 5/0335
29/594
D357,481 S * 4/1995 Giuntoli D14/227
5,469,505 A * 11/1995 Gattey H04M 1/05
379/430
D377,020 S * 12/1996 Bungardt D14/205
5,706,359 A 1/1998 Chang
5,822,798 A 10/1998 Baxley
5,887,286 A * 3/1999 Waldron A61F 11/14
181/129
6,038,329 A * 3/2000 Lee H04R 1/105
379/430
D430,140 S * 8/2000 Roman D14/205
D432,526 S * 10/2000 Claesson D14/228
6,154,539 A * 11/2000 Pitel H04M 1/05
379/430
6,246,766 B1 6/2001 Walsh
D447,472 S * 9/2001 McGugan D14/225
D471,906 S 5/2003 Salazar et al.
6,560,346 B2 * 5/2003 Ohta H04R 1/083
381/370
D480,072 S * 9/2003 Ham D14/223
6,622,029 B1 * 9/2003 Skulley H04M 1/05
379/430
6,625,293 B1 * 9/2003 Nageno H04R 1/08
181/20
D481,364 S 10/2003 Kosumsuppamala et al.
D482,019 S * 11/2003 Petersen D14/206
D488,146 S * 4/2004 Minto D14/206
D490,399 S * 5/2004 Kamo D14/206
6,768,804 B1 * 7/2004 Isvan H04R 1/083
181/20
D494,154 S 8/2004 Polito
D494,957 S 8/2004 Rath et al.
D498,470 S * 11/2004 Skulley D14/206
D504,419 S * 4/2005 Bey D14/223
D504,887 S * 5/2005 Skulley D14/223
D505,411 S 5/2005 Sakai
D505,413 S * 5/2005 Skulley D14/223
6,952,481 B2 * 10/2005 Larsen H04M 1/05
379/430
D511,492 S 11/2005 Allende Fritsch
D514,086 S * 1/2006 Skulley D14/206
D517,527 S 3/2006 Suzuki
D517,528 S * 3/2006 Skulley D14/206
D518,474 S 4/2006 Suzuki
D518,479 S * 4/2006 Skulley D14/225
D519,990 S * 5/2006 Lazor D14/229
D520,464 S 5/2006 Strong et al.
7,062,059 B1 * 6/2006 Bobisuthi H04M 1/05
381/370
7,106,877 B1 9/2006 Linville
D529,900 S * 10/2006 Skulley D14/223
D530,307 S 10/2006 Rath
D530,702 S * 10/2006 Pritchard D14/206
D531,165 S * 10/2006 Rath D14/206
D535,980 S * 1/2007 Bentley D14/225
D537,813 S * 3/2007 Hoehn D14/207
D537,815 S 3/2007 Bentley et al.
D538,785 S * 3/2007 Skulley D14/206
D539,267 S 3/2007 Komiyama
7,190,330 B2 * 3/2007 Travers G02B 27/0176
345/7
D539,788 S * 4/2007 Thompson D14/225
D539,789 S * 4/2007 Rausch D14/225
D540,303 S * 4/2007 Rausch D14/205
D540,313 S * 4/2007 Rausch D14/225
D540,778 S * 4/2007 Thompson D14/206
D541,256 S 4/2007 Rausch et al.
7,209,177 B2 4/2007 Lapalme et al.
D554,116 S 10/2007 Liu et al.
D563,382 S 3/2008 Wikel
D566,051 S 4/2008 Govindasamy
D568,808 S 5/2008 Hamasaki
D571,354 S 6/2008 Ng
7,391,863 B2 * 6/2008 Viduya H04M 1/05
379/430
D572,188 S 7/2008 Prat-Pfister
D574,368 S 8/2008 Chapman
D581,371 S 11/2008 Richmond
D587,683 S 3/2009 Ham et al.
D587,684 S * 3/2009 Ham D14/205
D588,100 S 3/2009 Densho et al.
D590,372 S 4/2009 Melin
D591,263 S 4/2009 Shimizu
7,519,196 B2 * 4/2009 Bech H04R 1/105
381/370
D592,640 S 5/2009 Tkachuk
D601,126 S 9/2009 Christopher et al.
D601,543 S * 10/2009 Bentley D14/206
D602,908 S * 10/2009 Ham D14/206
D603,371 S 11/2009 Boateng et al.
D606,048 S 12/2009 Soetejo et al.
D608,351 S 1/2010 Song
D609,694 S 2/2010 Komiyama
D617,780 S 6/2010 Jaakkola et al.
D617,781 S * 6/2010 Kallas D14/226
D620,474 S 7/2010 Komiyama
D632,668 S 2/2011 Brunner et al.
D634,298 S 3/2011 Shimizu et al.
D635,958 S 4/2011 Ando et al.
D638,000 S * 5/2011 Hoggarth D14/206
D643,405 S 8/2011 Rath
D645,847 S 9/2011 Chau
D648,330 S 11/2011 Fischer
8,061,473 B1 11/2011 Kerr
D654,472 S 2/2012 Fischer
D657,740 S 4/2012 Prat-Pfister
D659,106 S 5/2012 Paul
D663,717 S 7/2012 Hutchieson
D664,116 S 7/2012 Hutchieson
D664,943 S 8/2012 Choi
D666,168 S 8/2012 Rath
D669,888 S 10/2012 Gougherty et al.
D673,523 S 1/2013 Brennwald
D673,929 S 1/2013 Combs et al.
D676,378 S 2/2013 Kim et al.
D683,329 S 5/2013 Hagelin
D684,559 S 6/2013 Groset et al.
D684,963 S 6/2013 Goodrich
D686,593 S 7/2013 Larsen
D687,808 S 8/2013 Combs et al.
D707,655 S 6/2014 Porter
8,838,029 B2 9/2014 Goldman et al.
D719,135 S 12/2014 Kelley
D732,002 S 6/2015 Goransson
D733,113 S 6/2015 Krantz
9,271,065 B2 2/2016 Lamb et al.
D760,177 S 6/2016 Gassner
D765,623 S 9/2016 Yang et al.
D771,012 S 11/2016 Wagner
D777,166 S 1/2017 Bidwell et al.
9,609,413 B2 3/2017 Hsiao
D796,484 S 9/2017 Chen
D799,449 S 10/2017 Yoon et al.
D799,450 S 10/2017 Lee et al.
D806,676 S 1/2018 Fuglsang
D813,805 S 3/2018 Zhong
D814,413 S 4/2018 Zhong
D822,638 S * 7/2018 Liu D14/206
D824,913 S 8/2018 Bidwell et al.
D826,851 S 8/2018 Wang

(56)

References Cited

U.S. PATENT DOCUMENTS

D827,568	S	9/2018	Turksu et al.	
D827,617	S	9/2018	Dillon	
D830,339	S *	10/2018	Yan	D14/206
D847,782	S	5/2019	Wernblad	
D847,783	S	5/2019	Wernblad et al.	
D847,784	S	5/2019	Wernblad et al.	
D855,038	S	7/2019	Hu	
2003/0072466	A1	4/2003	Eisenbraun	
2011/0135134	A1 *	6/2011	Essabar	H04R 1/1025 381/374
2011/0206393	A1	8/2011	Nakazato et al.	
2011/0228925	A1 *	9/2011	Birch	H04M 1/05 379/428.02
2011/0306393	A1 *	12/2011	Goldman	H04M 1/6066 455/575.2
2012/0163616	A1 *	6/2012	Birch	H04M 1/6058 381/74
2012/0328119	A1	12/2012	Heise	
2015/0086058	A1	3/2015	Harms et al.	
2016/0198254	A1 *	7/2016	Gecawicz	H04R 1/083 381/375

OTHER PUBLICATIONS

Satechi Aluminum Headphone Stand and USB Hub Review, YouTube online, post date Feb. 6, 2016, <URL: <https://www.youtube.com/watch?v=bVosH0ADleg>>, retrieved Apr. 11, 2019.

* cited by examiner

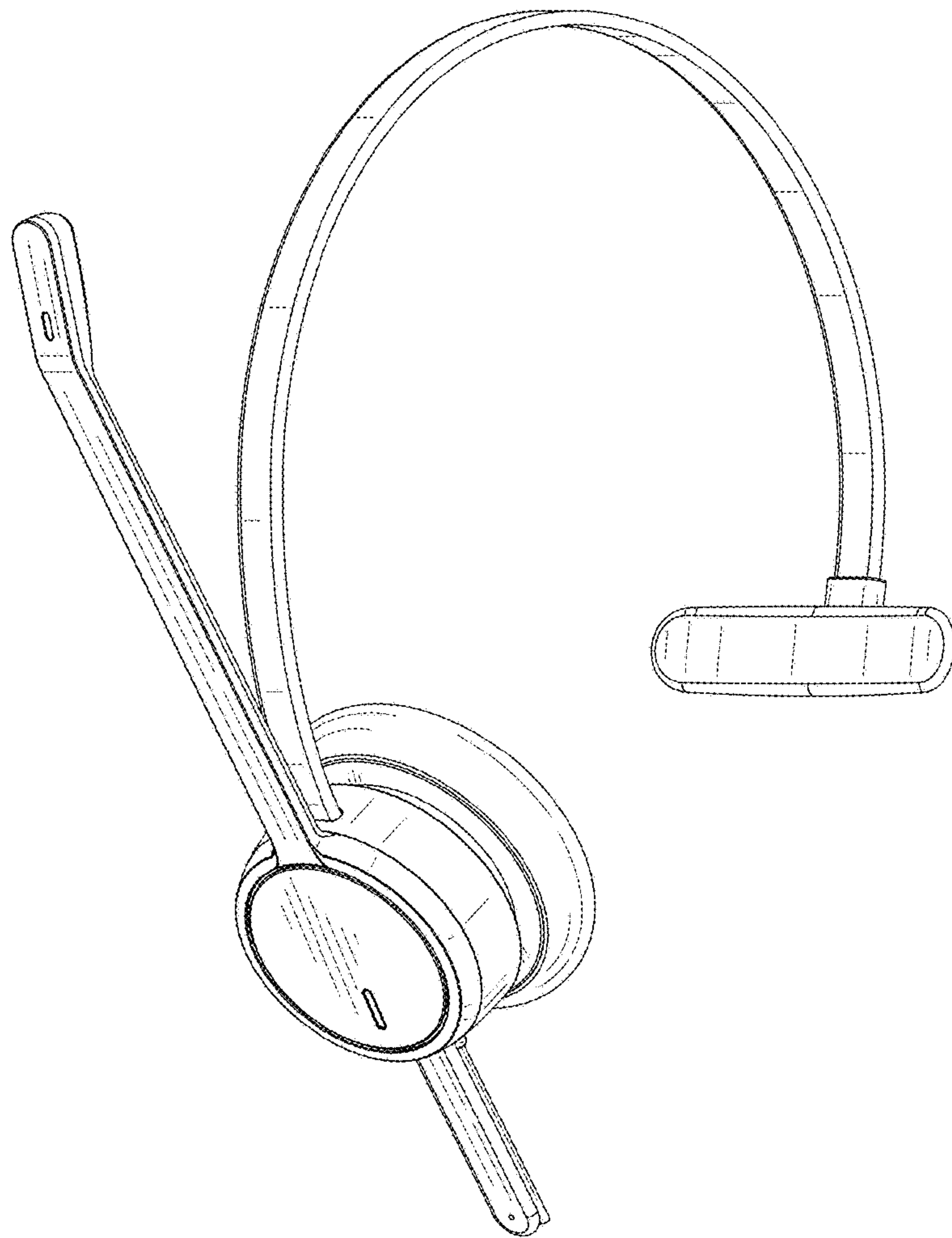


FIG. 1

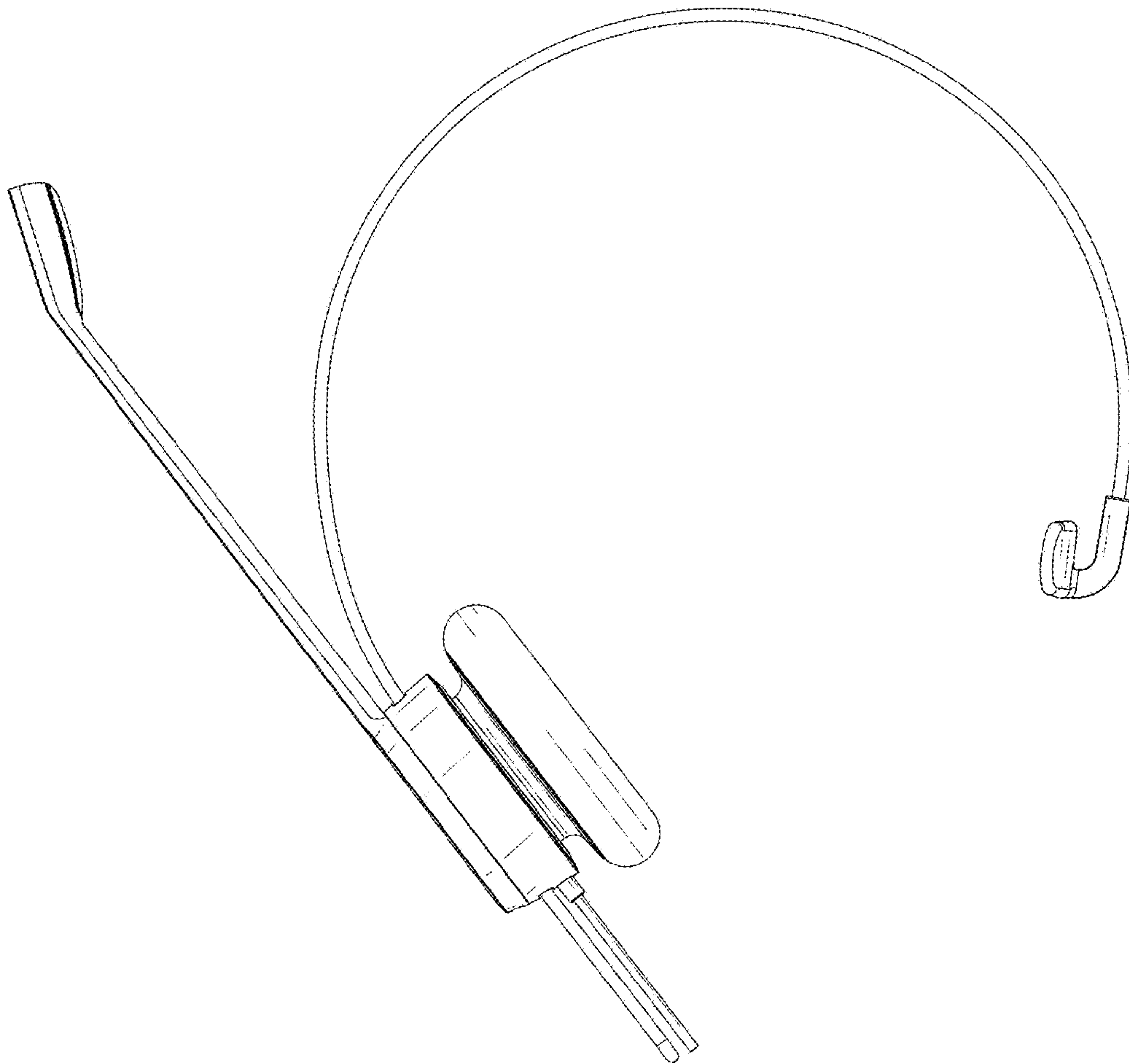


FIG. 2

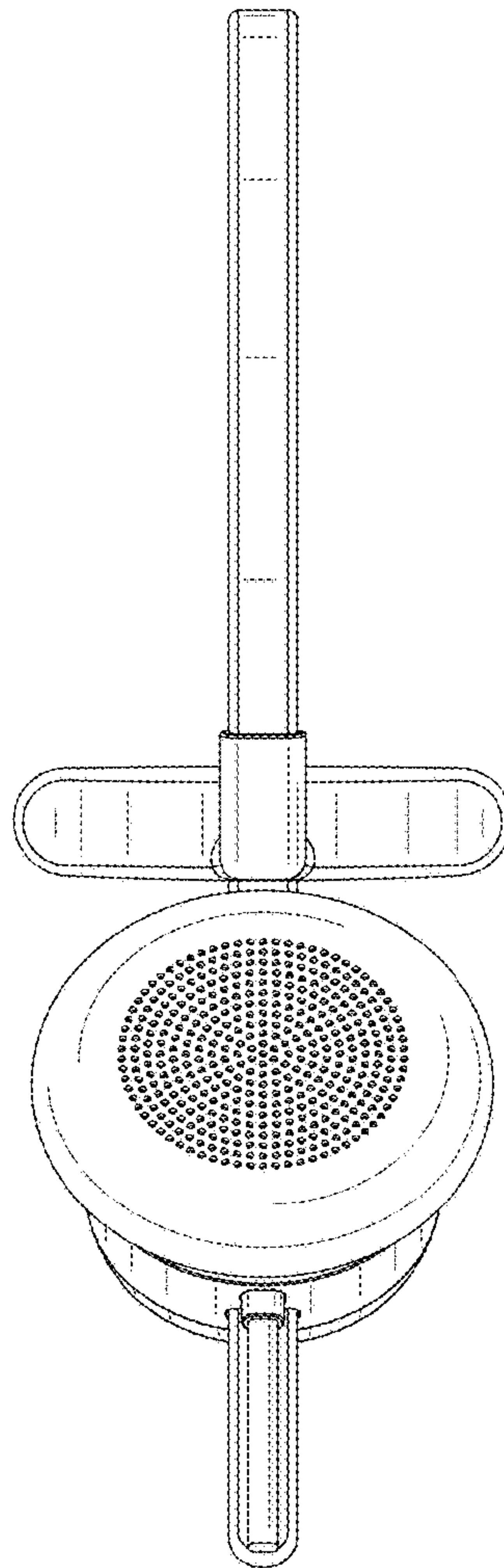


FIG. 3

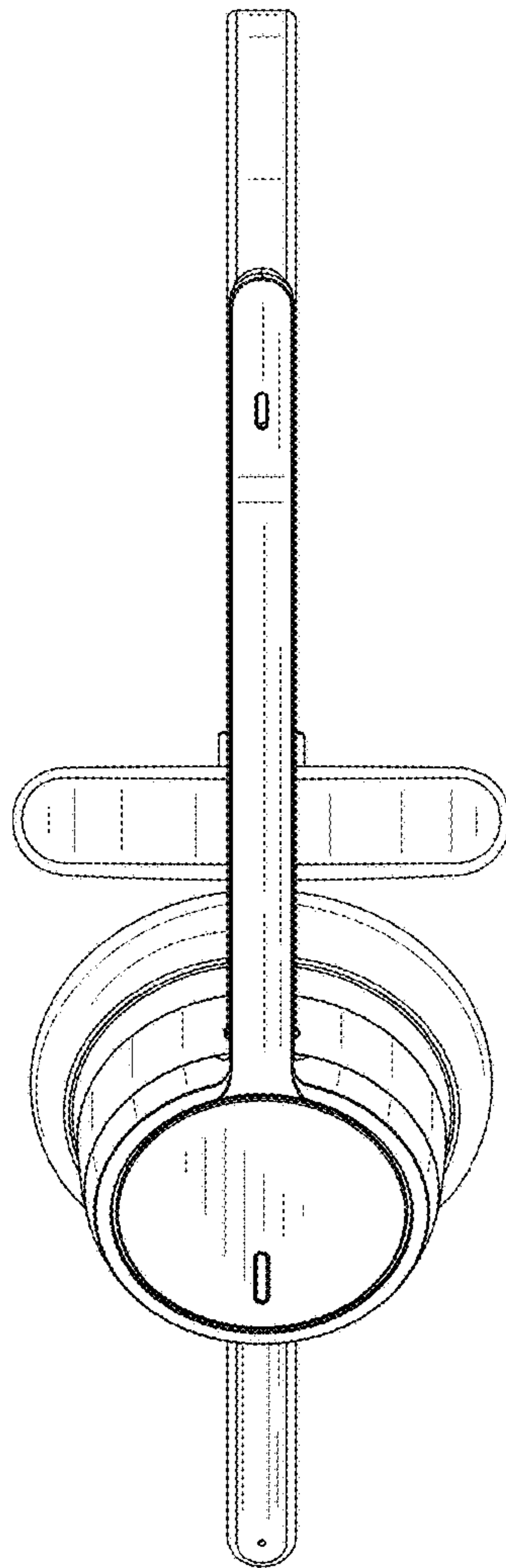


FIG. 4

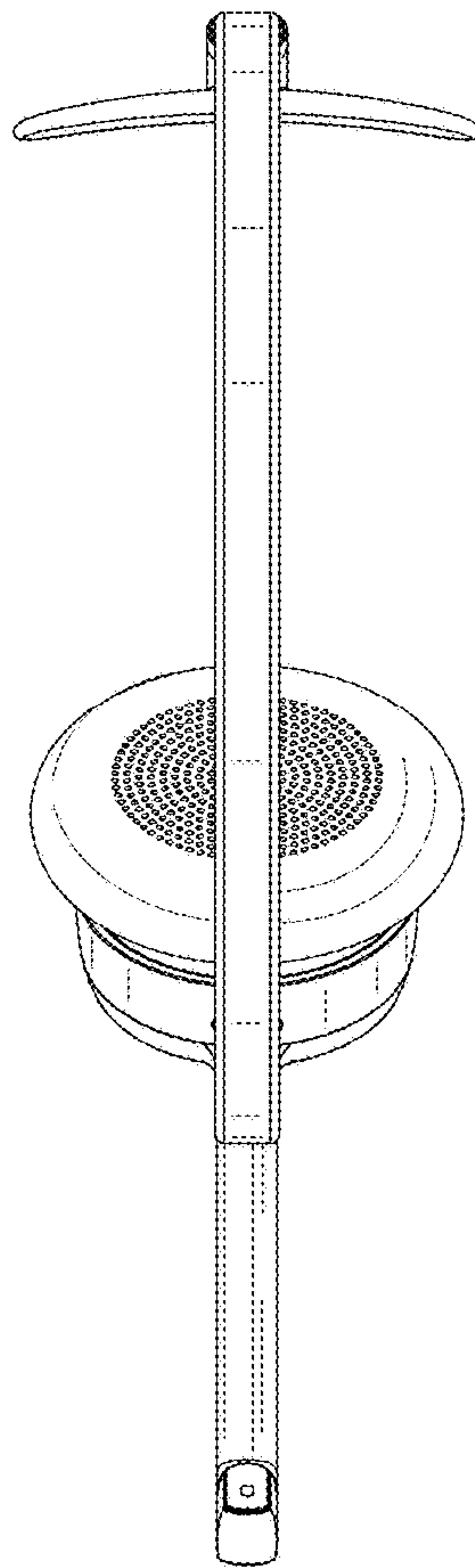


FIG. 5

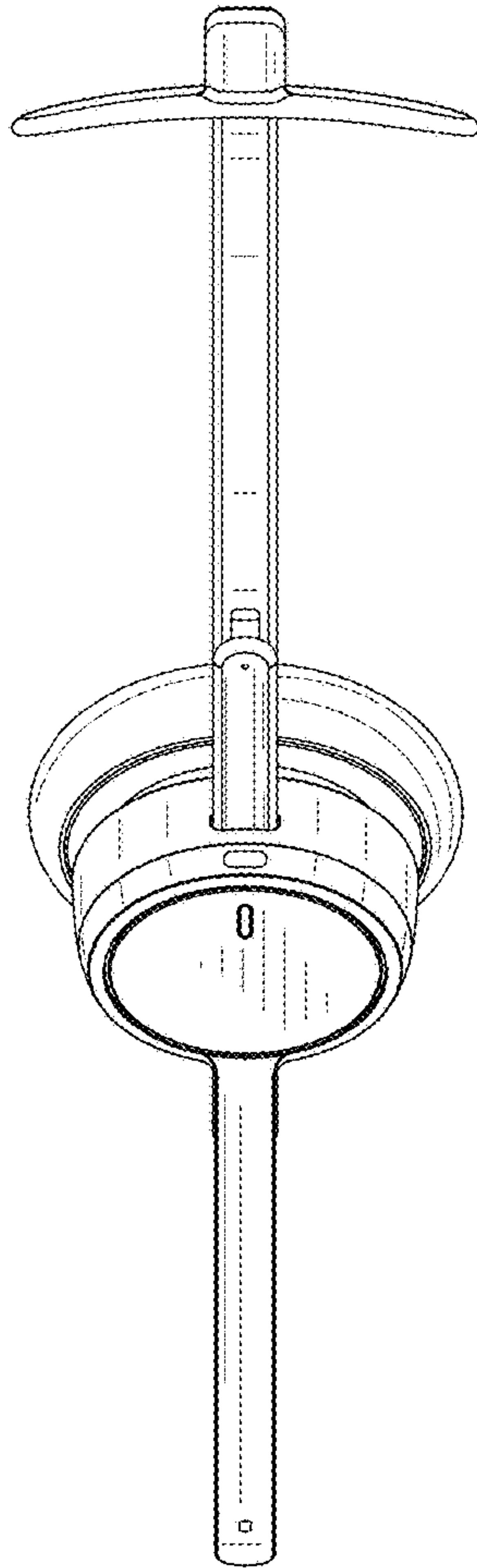


FIG. 6

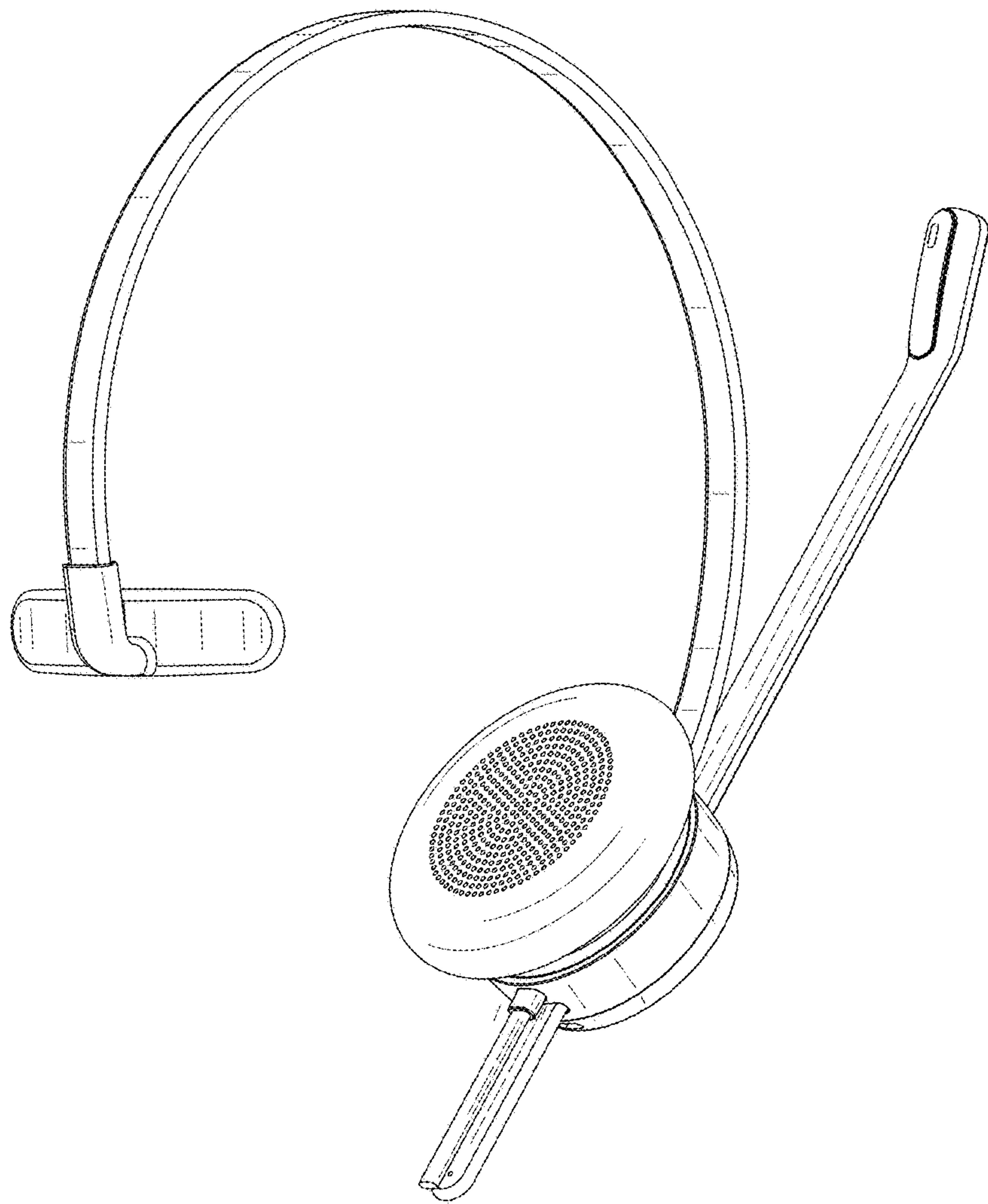


FIG. 7